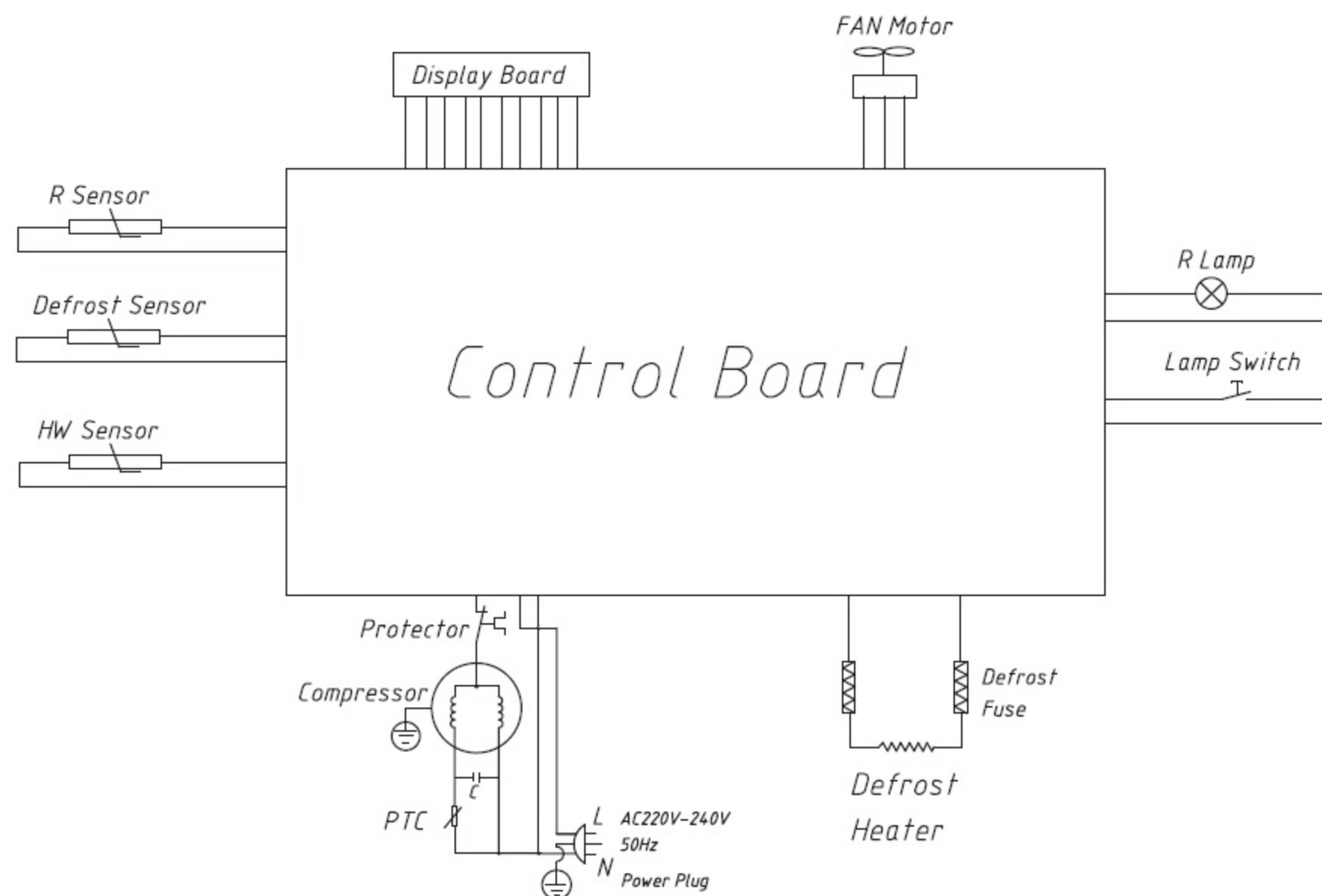


# Frost free Refrigerator-freezer Type II




S/N: YY-WW-978942-XXXX  
Made in P.R.C

ELECTRO DEPOT  
1, route de Vendeville  
59155 FACHES THUMESNIL FRANCE

# VALBERG

978942 - CNF 268 E WD B625C

V1

Lamp power	2W
Climate Class	N/ST
Protection Against Electric Shock	I
Voltage	AC220-240V
Frequency	50Hz
Defrost power	160W
Current	0.6A
Total volume	268L
Fresh food compartment storage volume	197.0L
Four star compartment storage volume	 71.0L
Energy class	E
Annual energy consumption	219 kWh/a
Freezing capacity	3.5kg/24h
Temperature rise time	7h
Refrigerant/ Amount	R600a(38g)
Foaming agent	CYCLOPENTANE
Noise	41dB(A)