



## WARRANTY CONDITION

EN

This product has a 2-year warranty as of the date of purchase\*, covering any fault resulting from a manufacturing or material defect. This warranty does not cover defects or damage resulting from incorrect installation, improper use or abnormal wear of the appliance.

\*upon presentation of the sales receipt.

## CONDITION DE GARANTIE

FR

Ce produit est garanti pour une période de 2 ans à partir de la date d'achat\*, contre toute défaillance résultant d'un vice de fabrication ou de matériau. Cette garantie ne couvre pas les vices ou les dommages résultant d'une mauvaise installation, d'une utilisation incorrecte ou de l'usure anormale du produit.

\*sur présentation du ticket de caisse.

## GARANTIEVOORWAARDEN

NL

Dit product wordt gegarandeerd voor een periode van 2 jaar vanaf de aankoopdatum\*, voor elke storing die het gevolg is van een fabricagefout of het materiaal. Gebreken of schade door slechte installatie, onjuist gebruik of abnormale slijtage van het product worden niet gedekt door deze garantie.

\*op vertoon van kassabon.

## CONDICIONES DE GARANTÍA

ES

El certificado de garantía de este producto tiene una duración de 2 años a partir de la fecha de compra\* que se limita a los defectos de fabricación y averías del material. Se excluyen de la garantía deficiencias o daños originados por una mala instalación, errores en la manipulación o por un uso inadecuado.

\*previa presentación del comprobante de compra.

MADE IN PRC

---

ELECTRO DEPOT  
1 route de Vendeville  
59155 FACHES-THUMESNIL  
FRANCE



**Chest freezer**  
**Congélateur coffre**  
**Diepvrieskist**  
**Congelador horizontal**

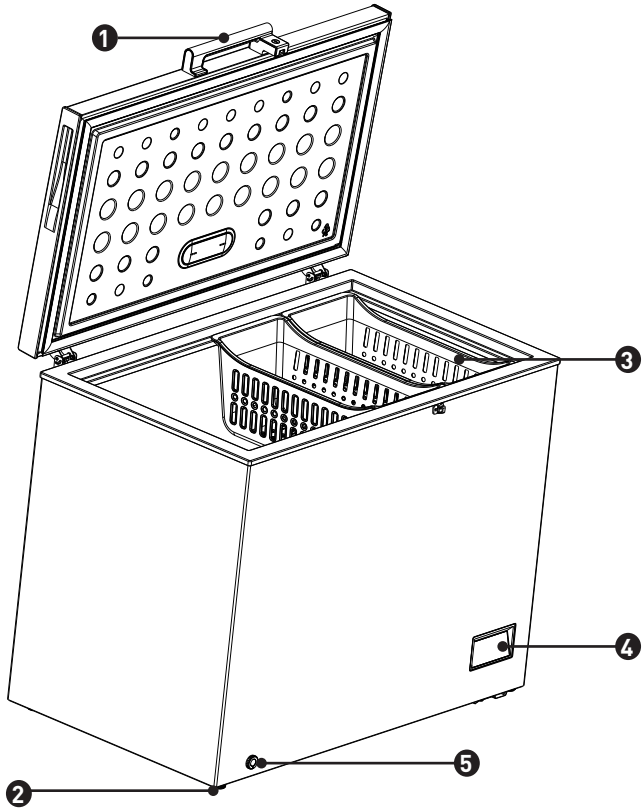
977613 - CF 246 E W742C

977614 - CF 287 E W742C

INSTRUCTIONS FOR USE	.....02
CONSIGNES D'UTILISATION	.....20
GEBRUIKSAANWIJZINGEN	.....38
INSTRUCCIONES DE USO	.....56

**VALBERG**













# Thanks!

Thank you for choosing this VALBERG product. Chosen, tested and recommended by ELECTRO DEPOT, the products of the VALBERG brand are easy to use, reliable and of an impeccable standard. Thanks to this appliance, you can be sure that each use will bring you satisfaction.

Welcome to ELECTRO DEPOT.

Visit our website: [www.electrodepot.fr](http://www.electrodepot.fr)



**A**

**Preview of the  
appliance**

Description of the appliance

---

**B**

**Using the appliance**

Installation  
Daily Use

---

**C**

**Useful information**

Helpful hints and tips  
Cleaning and care  
Troubleshooting

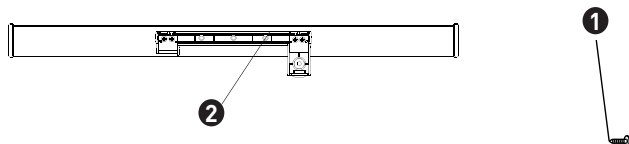
## Description of the appliance

- 1 External handle
- 2 Wheel (or adjustable foot)
- 3 Basket
- 4 Control panel
- 5 Drain hole

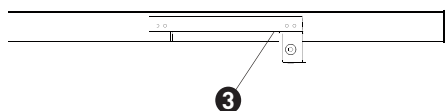
This refrigerating appliance is not intended to be used as a built-in appliance.  
The picture is for reference only. Real appliance probably is different.

## Installation

Install door external handle (if external handle is present).

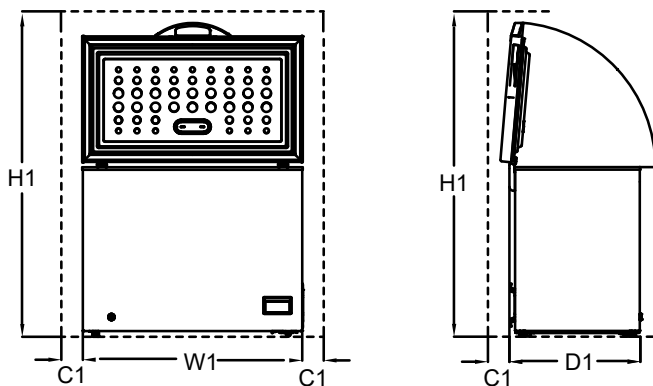


Take out 4 screws **1** and handle base **2** from accessory bag. Then fix the handle base **2** with door by 4 screws **1**.



Insert handle cover **3** in the handle base **2** until a click.

### Space requirement



## Space required in use

Model	W1 / mm (Product width)	D1 / mm (Product Depth)	H1 / mm (Minimum Height)	C1 / mm (Minimum Clearance)
BE1-251	954	616	1500	100
BE1-290	1090	620	1550	100
BE1-380	1300	705	1600	100

**Remark: D1 doesn't contain the external handle size.**

### Positioning

Install this appliance at a location where the ambient temperature corresponds to the climate class indicated on the rating plate of the appliance:

For refrigerating appliances with climate class:

- extended temperate: 'this refrigerating appliance is intended to be used at ambient temperatures ranging from 10 °C to 32 °C (SN);
- temperate: 'this refrigerating appliance is intended to be used at ambient temperatures ranging from 16 °C to 32 °C (N);
- subtropical: 'this refrigerating appliance is intended to be used at ambient temperatures ranging from 16 °C to 38 °C (ST);
- tropical: 'this refrigerating appliance is intended to be used at ambient temperatures ranging from 16°C to 43 °C (T);

### Location

The appliance should be installed well away from sources of heat such as radiators, boilers, direct sunlight etc. Ensure that air can circulate freely around the back of the cabinet.

To ensure best performance, if the appliance is positioned below an overhanging wall unit, the minimum distance between the top of the cabinet and the wall unit must be at least 100 mm.

Ideally, however, the appliance should not be positioned below overhanging wall units. Accurate leveling is ensured by one or more adjustable feet at the base of the cabinet.

**WARNING**

It must be possible to disconnect the appliance from the mains power supply; the plug must therefore be easily accessible after installation.

**Electronical connection**

Before plugging in, ensure that the voltage and frequency shown on the rating plate correspond to your domestic power supply. The appliance must be earthed. The power supply cable plug is provided with a contact for this purpose. If the domestic power supply socket is not earthed, connect the appliance to a separate earth in compliance with current regulations, consulting a qualified electrician.

The manufacturer declines all responsibility if the above safety precautions are not observed. This appliance complies with the E.E.C. Directives.

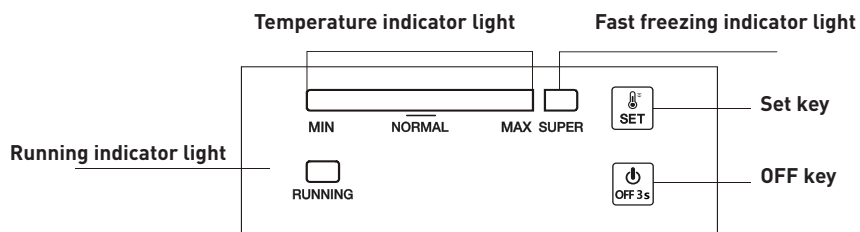
## Daily use

### Cleaning the interior

Before using the appliance for the first time, wash the interior and all internal accessories with lukewarm water and some neutral soap so as to remove the typical smell of a brand new product, then dry thoroughly.

## IMPORTANT

Do not use detergents or abrasive powders, as these will damage the finish.



### Electrical connection

When the appliance is plugged in, all LED indicator lights will flash once. Then the appliance will resume the mode previously set before the electrical outage.

### Temperature setting

#### Setting

- Press «SET» button, enter the temperature setting mode. The temperature indicator bar goes up a scale by each press. This setting runs in cycles.
- Temperature can run from Scale MIN to Scale MAX. Scale MAX is the coldest.
- The temperature is automatically set in 5 seconds after the press.

## TIP

Normally, it's recommended to set the temperature to «NORMAL» or colder for optimum food preservation. The longest storage time in this situation is no more than 1 month. Not set recommended setting may reduce the storage time.

### Super Freezing

- Press «SET» button consecutively to enter «SUPER» freezing mode from Scale MAX, the indicator bar on the left hereby will turn dark whereas the indicator light of «SUPER» turns on. This mode is automatically set in 5 seconds after last press.
- The compressor keeps working in «SUPER» freezing mode.
- If the «SUPER» mode keeps running for 52 hours and not stopped manually, the system will automatically cut out this mode, with the temperature back on Scale 5.

### **Power ON and Power OFF**

If the appliance is working, press «ON/OFF» for 3 seconds to turn off.

If the appliance is off, press «ON/OFF» for 3 seconds to turn on.

### **Indicator lights**

#### Temperature Indicator Light (Bright blue)

To adjust the temperature from Scale MIN to Scale MAX. MAX is the coldest.

#### Super Freezing Indicator Light (Bright blue)

Light on = in «SUPER» mode, light off = compressor stops.

#### Running Indicator Light (Bright green)

Light on = compressor working, light off = compressor off.

30 minutes after the last operation, the indicator light will be on in half luminance.

### **Resumption function**

The appliance will automatically resume the mode previously set before the electrical outage.

### **Temperature sensor fault alarm**

When there is a disconnection or short out of the temperature sensor, as a fault alarm, the temperature indicator bar will flash from left to right every 0,5 second.

### **Freezing fresh food**

- The freezer compartment is suitable for freezing fresh food and storing frozen and deep-frozen food for a long time.
- Place the fresh food to be frozen in the bottom compartment.
- The maximum amount of food that can be frozen in 12 hours is specified on the rating plate.



- The freezing process lasts 12 hours: during this period do not add other food to be frozen.

### Storing frozen food

When first starting-up or after a period out of use. Before putting the product in the compartment let the appliance run at least 2 hours on the higher settings.

### IMPORTANT

In the event of accidental defrosting, for example the power has been off for longer than the value shown in the technical characteristics chart under «rising time», the defrosted food must be consumed quickly or cooked immediately and then re-frozen (after cooked).

### Thawing

Deep-frozen or frozen food, prior to be used, can be thawed at room temperature, depending on the time available for this operation.

Small pieces may even be cooked still frozen, directly from the freezer. In this case, cooking will take longer.

## Helpful hints and tips

### Hints for freezing

To help you make the most of the freezing process, here are some important hints:

- The maximum quantity of food which can be frozen in 12 hrs.is shown on the rating plate;
- The freezing process takes 12 hours. No further food to be frozen should be added during this period;
- To start the SUPER function 24 hours before placing food in appliance can help the best freezing capacity;
- Only freeze top quality, fresh and thoroughly cleaned, foodstuffs;
- Prepare food in small portions to enable it to be rapidly and completely frozen and to make it possible subsequently to thaw only the quantity required;
- Wrap up the food in aluminium foil or polythene and make sure that the packages are airtight;
- Do not allow fresh, unfrozen food to touch food which is already frozen, thus avoiding a rise in temperature of the latter;
- Lean foods store better and longer than fatty ones; salt reduces the storage life of food;
- Water ices, if consumed immediately after removal from the freezer compartment, can possibly cause the skin to be freeze burnt;
- It is advisable to show the freezing in date on each individual pack to enable you to keep tab of the storage time.

### **Hints for the storage of frozen food**

To obtain the best performance from this appliance, you should:

- Make sure that the commercially frozen foodstuffs were adequately stored by the retailer;
- Be sure that frozen foodstuffs are transferred from the food store to the freezer in the shortest possible time;
- Not open the door frequently or leave it open longer than absolutely necessary.
- Once defrosted, food deteriorates rapidly and cannot be refrozen.
- Do not exceed the storage period indicated by the food manufacture

## Cleaning and care

For hygienic reasons the appliance interior, including interior accessories, should be cleaned regularly.

### CAUTION

The appliance may not be connected to the mains during cleaning. Danger of electrical shock! Before cleaning switch the appliance off and remove the plug from the mains, or switch off or turn out the circuit breaker or fuse. Never clean the appliance with a steam cleaner. Moisture could accumulate in electrical components, danger of electrical shock! Hot vapors can lead to the damage of plastic parts. The appliance must be dry before it is placed back into service.

### IMPORTANT

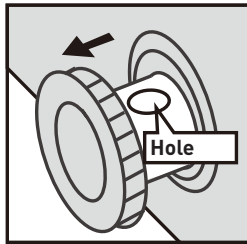
Ethereal oils and organic solvents can attack plastic parts, e.g. lemon juice or the juice from orange peel, butyric acid, cleanser that contain acetic acid.

- Do not allow such substances to come into contact the appliance parts.
- Do not use any abrasive cleaners
- Remove the food from the freezer. Store them in a cool place, well covered.
- Switch the appliance off and remove the plug from the mains, or switch off or turn out the circuit breaker of fuse.
- Clean the appliance and the interior accessories with a cloth and lukewarm water. After cleaning wipe with fresh water and rub dry.

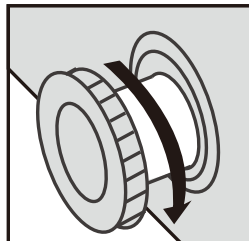
## Defrosting of the freezer

The freezer, however, will become progressively covered with frost. This should be removed. Never use sharp metal tools to scrape off frost from the evaporator as you could damage it. However, when the ice becomes very thick on the inner liner, complete defrosting should be carried out as follows:

- Unplug the unit. Remove the drain plug from the inside of the freezer. Defrosting usually takes a few hours. To defrost faster, keep the freezer door open.
- For draining, place a tray beneath the outer drain plug. Pull out the drain dial.



- Rotate the drain dial 180 degree. This will let the water flow out in the tray. When done, push the drain dial in. Replug the drain plug inside the freezer compartment. Monitor the container under the drain to avoid overflow.
- Wipe the interior of the freezer and replace the electrical plug in the electrical outlet.
- Reset the temperature control to the desired setting.



## Troubleshooting

### CAUTION

Before troubleshooting, disconnect the power supply. Only a qualified electrician or competent person must do the troubleshooting that is not in this manual.

### IMPORTANT

There are some sounds during normal use (compressor, refrigerant circulation).

Problem	Possible cause	Solution
Appliance does not work	Mains plug is not plugged in or is loose	Insert mains plug.
	Fuse has blown or is defective	Check fuse, replace if necessary.
	Socket is defective	Mains malfunctions are to be corrected by an electrician.
The food is not frozen enough	Temperature is not properly adjusted.	Please look in the initial Temperature Setting section.
	Door was open for an extended period.	Open the door only as long as necessary.
	A large quantity of warm food was placed in the appliance within the last 24 hours.	Turn the temperature regulation to a colder setting temporarily.
Appliance freezes too much	The appliance is near a heat source.	Please look in the installation location section.
	Temperature is set too cold or the appliance runs at "7" setting.	Turn the temperature regulator to a warmer setting temporarily.

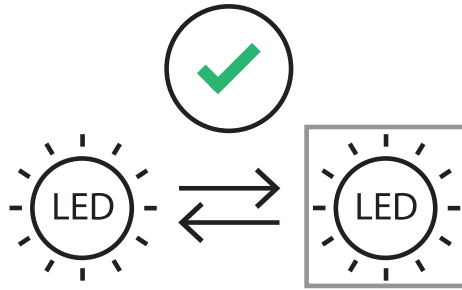
Problem	Possible cause	Solution
Unusual noises	Appliance is not level.	Check the appliance and level it by some articles.
	The appliance is touching the wall or other objects.	Move the appliance slightly.
	A component, e.g. a pipe, on the rear of the appliance is touching another part of the appliance or the wall.	If necessary, carefully bend the component out of the way.
Heavy build-up of frost on the door seal.	Door seal is not air-tight.	Carefully warm the leaking sections of the door seal with a hair dryer (on a cool setting). At the same time shape the warmed door seal by hand such that it sits correctly.

If the malfunction shows again, contact the Service Center.

## Replacing the lamp

The switch of LED lamp is gravity controlled, when the angle of the door-opening is bigger than 30 degrees, it will switch on and off when the angle is smaller than 30 degrees.

- This product contains a light source exempted of energy efficiency class.
- Light source in this product can be replaced by the end user.
- Please unplug the appliance before any light source change operation.
- The light source shall be removed at the end of the product's useful life, with sorting and recycling done separately.



### Notice

When LED lamp does not work when door is open, please be released and check as below steps:

- Firstly, loosen screws on the lamp cover
- Secondly, loosen screws fixed on the lamp electronic parts
- Thirdly, check the cable terminals of electronic parts and terminals of contacting lines for door lamp is loosening or not. Please fix them if they are not fixed. Then, check the light is on or not. If the lamp is switch on, please install the lamp cover. If not, please further check the electronic part is intact or not. If necessary, please replace the electronic part to check the lamp is on or not. If the lamp still does not work, please contact the after-sale staff for assistance.



**The steps of LED lamp installing**

- Fix the cable terminals of electronic parts and contacting lines in the door liner
- Install LED electronic part in the door liner and fix on by screws
- Install lamp cover on the holder and fix to finish all process



# Merci !

Nous vous remercions d'avoir choisi ce produit VALBERG.

Choisis, testés et recommandés par ELECTRO DEPOT, les produits de la marque VALBERG sont simples d'utilisation, tout en offrant des performances fiables et une qualité irréprochable.

Grâce à cet appareil, vous êtes assuré(e) que chaque utilisation vous apportera satisfaction.

Bienvenue chez ELECTRO DEPOT.

Consultez notre site web : [www.electrodepot.fr](http://www.electrodepot.fr)



**A**

**Aperçu de l'appareil**

Description de l'appareil

**B**

**Utilisation de  
l'appareil**

Installation  
Utilisation quotidienne

**C**

**Informations utiles**

Conseils et astuces utiles  
Nettoyage et entretien  
Dépannage

## Description de l'appareil

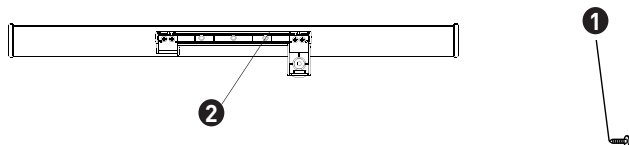
- 1 Poignée externe
- 2 Roue (ou pied réglable)
- 3 Panier
- 4 Panneau de commande
- 5 Trou de vidange

Cet appareil de réfrigération n'est pas conçu pour être utilisé comme un élément de cuisine intégrée.

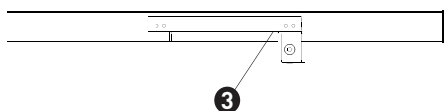
L'image est présentée à titre de référence uniquement. L'appareil peut être différent.

## Installation

Installez la poignée externe de la porte (le cas échéant).

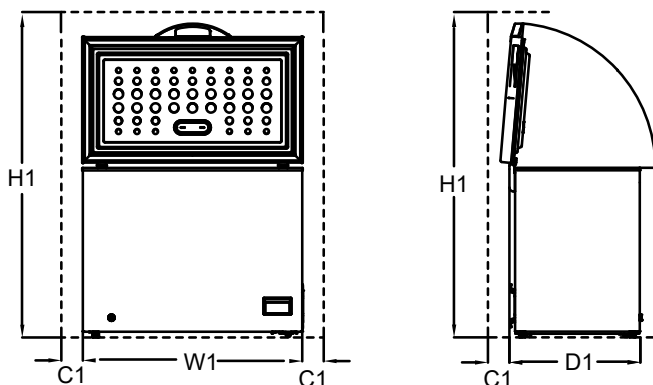


Sortez les 4 vis **1** et la base de la poignée **2** du sac d'accessoires. Fixez ensuite la base de la poignée **2** à la porte à l'aide de 4 vis **1**.



Insérez le couvercle de la poignée **3** dans la base de la poignée **2** jusqu'à ce que vous entendiez un clic.

### Espace requis



## Espace requis pour l'utilisation

Modèle	L1 / mm (Largeur du produit)	P1 / mm (Profondeur du produit)	H1 / mm (Hauteur minimum)	C1 / mm (Espace libre minimum)
BE1-251	954	616	1500	100
BE1-290	1090	620	1550	100
BE1-380	1300	705	1600	100

**Remarque : D1 n'inclut pas la taille de la poignée externe.**

### Positionnement

Installez l'appareil dans un endroit où la température ambiante correspond à la classe climatique indiquée sur la plaque signalétique de l'appareil :

Pour les appareils de réfrigération avec une classe climatique :

- tempérée élargie : « cet appareil de réfrigération est conçu pour être utilisé à des températures ambiantes allant de 10 à 32° C (SN) ;
- tempérée : « cet appareil de réfrigération est conçu pour être utilisé à des températures ambiantes allant de 16 à 32° C(N) ;
- subtropicale : « cet appareil de réfrigération est conçu pour être utilisé à des températures ambiantes allant de 16 à 38° C (ST) ;
- tropicale : « cet appareil de réfrigération est conçu pour être utilisé à des températures ambiantes allant de 16 à 43° C (T) ;

### Lieu d'installation

L'appareil doit être installé à bonne distance des sources de chaleur comme les radiateurs, les chaudières, la lumière directe du soleil, etc. Veillez à ce que l'air puisse circuler librement à l'arrière de l'appareil.

Pour un fonctionnement optimal, si l'appareil est placé sous un élément mural, la distance entre le haut de l'appareil et l'élément mural doit être d'au moins 100 mm.

Dans la mesure du possible, il est toutefois préférable de ne pas positionner l'appareil sous des éléments muraux. Une mise à niveau précise est possible grâce à un ou plusieurs pieds réglables situés au bas de l'appareil.

**AVERTISSEMENT**

Il doit être possible de débrancher l'appareil de l'alimentation secteur ; par conséquent, la prise doit être facilement accessible après l'installation.

**Raccordement électronique**

Avant de brancher la fiche, vérifiez que la tension et la fréquence indiquées sur la plaque signalétique correspondent à celles de votre alimentation électrique domestique. L'appareil doit être relié à la terre. La fiche du câble d'alimentation est dotée d'un contact prévu à cet effet. Si votre prise d'alimentation électrique domestique n'est pas mise à la terre, reliez l'appareil à la terre d'une autre manière, conformément à la réglementation en vigueur et aux recommandations d'un électricien qualifié.

Le fabricant décline toute responsabilité en cas de non respect des précautions de sécurité ci-dessus. L'appareil est conforme aux directives européennes.



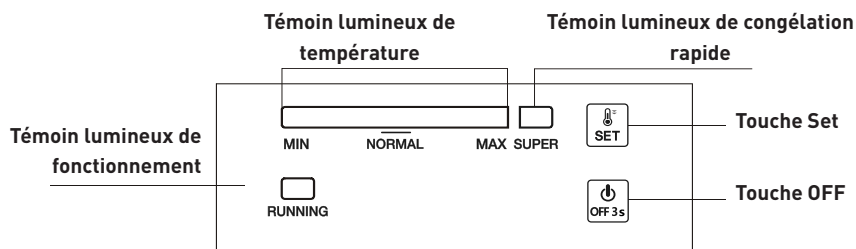
## Utilisation quotidienne

### Nettoyage de l'intérieur

Avant d'utiliser l'appareil pour la première fois, lavez l'intérieur et tous les accessoires avec de l'eau tiède et un savon neutre, de manière à éliminer l'odeur caractéristique des appareils neufs, puis séchez soigneusement.

### IMPORTANT

N'utilisez pas de détergents ou de poudres abrasives, car ils endommageraient la finition.



### Branchements électriques

Lorsque l'appareil est branché, tous les voyants lumineux LED clignotent une fois. Ensuite, l'appareil revient au mode précédemment réglé avant la coupure de courant.

### Réglage de la température

#### Réglage

- Appuyez sur le bouton « SET », pour saisir le mode de réglage de la température. La barre de l'indicateur de température monte d'un cran à chaque pression. Ce réglage fonctionne par cycles.
- La température peut aller de MIN à MAX. MAX est la température la plus froide.
- La température est automatiquement réglée dans les 5 secondes suivant la pression.

### CONSEILS

Normalement, il est recommandé de régler la température sur « NORMAL » ou plus froid pour une conservation optimale des aliments. Dans cette situation, la durée de conservation la plus longue ne dépasse pas 1 mois. Un réglage non recommandé peut réduire la durée de conservation.

### Super congélation

- Appuyez consécutivement sur la touche « SET » pour passer de MAX au mode de congélation « SUPER ». La barre d'indication située à gauche de l'écran s'assombrit tandis que le témoin lumineux de « SUPER » s'allume. Ce mode est automatiquement mis en place dans les 5 secondes suivant la dernière pression.
- Le compresseur continue à fonctionner en mode de congélation « SUPER ».
- Si le mode « SUPER » continue à fonctionner pendant 52 heures et n'est pas arrêté manuellement, le système l'arrêtera automatiquement, la température revenant au niveau 5.

### **Mise en marche et arrêt**

Si l'appareil fonctionne, appuyez sur « ON/OFF » pendant 3 secondes pour l'éteindre.

Si l'appareil est éteint, appuyez sur « ON/OFF » pendant 3 secondes pour l'allumer.

### **Témoins lumineux**

#### Témoin lumineux de température (Bleu vif)

Pour régler la température de MIN à MAX. MAX est la température la plus froide.

#### Témoin lumineux de Super congélation (Bleu vif)

Lumière allumée = en mode « SUPER », lumière éteinte = le compresseur s'arrête.

#### Témoin lumineux de fonctionnement (Vert vif)

Lumière allumée = compresseur en marche, lumière éteinte = compresseur arrêté.

30 minutes après la dernière opération, le témoin lumineux s'allume en demi-luminosité.

### **Fonction de reprise**

L'appareil reviendra au mode précédemment réglé avant la coupure de courant.

### **Alarme de défaut de la sonde de température**

En cas de déconnexion ou de court-circuit de la sonde de température, la barre de l'indicateur de température clignote de gauche à droite toutes les 0,5 secondes.

### **Congélation de denrées fraîches**

- Le compartiment du congélateur permet de congeler des denrées fraîches et de conserver des denrées congelées et surgelées pendant une longue période.

- Placez les denrées fraîches à congeler dans le compartiment du bas.
- La quantité maximale de denrées pouvant être congelées en 12 heures est indiquée sur la plaque signalétique.
- La procédure de congélation dure 12 heures : pendant cette période, n'ajoutez pas d'autres denrées à congeler.

### Conservation des aliments surgelés

Lors de la première mise en service ou après une période d'inutilisation. Avant de placer le produit dans le compartiment, laissez l'appareil fonctionner pendant au moins 2 heures aux réglages les plus élevés.

### IMPORTANT

En cas de décongélation accidentelle, par exemple si l'alimentation électrique a été coupée pendant plus longtemps que la valeur indiquée dans le tableau des caractéristiques techniques sous la mention « Autonomie », les denrées décongelées doivent être consommées rapidement, ou cuites immédiatement puis recongelées (une fois cuites).

### Décongélation

Les denrées surgelées ou congelées peuvent être décongelées, avant consommation, à température ambiante, en fonction du temps dont vous disposez pour cette opération.

Les petits aliments ou morceaux peuvent même être cuits tels quels, sans décongélation. Dans ce cas, leur cuisson prendra plus de temps.

## Conseils et astuces utiles

### Conseils pour la congélation

Pour vous aider à tirer le meilleur parti du processus de congélation, voici quelques astuces importantes :

- La quantité maximale de denrées qu'il est possible de congeler en 12 heures est indiquée sur la plaque signalétique.
- le processus de congélation prend 12 heures. Aucune autre denrée à congeler ne doit être ajoutée pendant ce laps de temps.
- L'activation de la fonction SUPER 24 heures avant de placer les denrées dans l'appareil permet d'obtenir une capacité de congélation optimale.
- Ne congelez que des denrées alimentaires fraîches, de qualité irréprochable et parfaitement propres.
- Préparez de petites portions pour qu'elles puissent congeler intégralement et rapidement, et pour ensuite pouvoir décongeler uniquement la quantité requise.
- Emballez les denrées dans de l'aluminium ou du film plastique et vérifiez que ces emballages sont hermétiques.
- Ne laissez pas des denrées fraîches non congelées entrer en contact avec des aliments déjà congelés, afin d'éviter une hausse de la température de ces derniers.
- Les aliments maigres se conservent mieux et plus longtemps que les aliments gras. Le sel réduit la durée de conservation des denrées.

- Les glaces à l'eau, si elles sont consommées dès la sortie du compartiment de congélation, peuvent provoquer des brûlures cutanées liées au froid.
- Il est recommandé d'indiquer la date de congélation sur chaque paquet individuel afin de pouvoir suivre la durée de conservation.

### **Conseils pour la conservation des denrées congelées**

Pour que cet appareil fonctionne de manière optimale, vous devez :

- vous assurer que les denrées alimentaires surgelées ont été correctement conservées par le vendeur ;
- veiller à ce que les denrées congelées soient transférées du magasin au congélateur le plus rapidement possible ;
- éviter d'ouvrir fréquemment la porte ou de la laisser ouverte plus longtemps qu'il n'est absolument nécessaire.
- Une fois décongelées, les denrées se détériorent rapidement et ne peuvent pas être recongelées.
- Ne dépassez pas la date de conservation indiquée par le producteur alimentaire

## Nettoyage et entretien

Pour des raisons d'hygiène, l'intérieur de l'appareil et les accessoires doivent être nettoyés régulièrement.

### ATTENTION

L'appareil ne doit pas être branché sur le secteur pendant le nettoyage. Risque de choc électrique ! Avant de nettoyer l'appareil, mettez-le hors tension et retirez la fiche de l'alimentation secteur ou coupez le disjoncteur ou enlevez le fusible. Ne nettoyez jamais l'appareil à l'aide d'un nettoyeur vapeur. De l'humidité pourrait s'accumuler dans les composants électriques, provoquant un risque de choc électrique ! Les vapeurs chaudes peuvent endommager les pièces en plastique. L'appareil doit être sec avant d'être remis en service.

### IMPORTANT

Les huiles essentielles et les solvants organiques (par ex. jus ou écorce de citron ou d'orange, acide butyrique, détergent qui contient de l'acide acétique) peuvent attaquer les pièces en plastique.

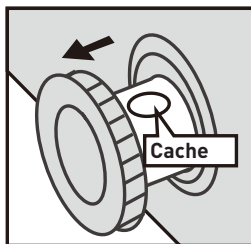
- Ne laissez pas ce type de substances entrer en contact avec les pièces de l'appareil.
- N'utilisez aucun nettoyant abrasif
- Retirez les denrées du congélateur. Stockez-les bien couvertes dans un endroit frais.
- Mettez l'appareil hors tension et retirez la fiche de l'alimentation secteur ou coupez le disjoncteur ou enlevez le fusible.

- Nettoyez l'appareil et les accessoires intérieurs à l'eau tiède, avec un chiffon. Après les avoir nettoyés, rincez-les à l'eau claire et essuyez-les.

## Dégivrage du congélateur

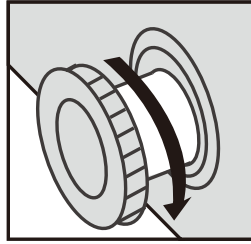
Le congélateur se recouvrira progressivement de givre. Celui-ci doit être retiré. N'utilisez jamais d'outils métalliques pointus pour enlever le givre de l'évaporateur : vous risqueriez de l'endommager. Cependant, quand la glace devient très épaisse sur le revêtement intérieur, un dégivrage complet doit être effectué comme suit :

- Débranchez l'appareil. Retirez le bouchon de vidange situé à l'intérieur du congélateur. Le dégivrage prend généralement quelques heures. Pour un dégivrage plus rapide, gardez la porte du congélateur ouverte.
- Pour la vidange, placez un plateau sous le bouchon de vidange extérieur. Tirez sur la molette de vidange.



- Tournez la molette de vidange de 180 degrés. Cela permettra à l'eau de s'écouler dans le plateau. Lorsque vous avez terminé, appuyez sur la molette de vidange. Remplacez le bouchon de vidange à l'intérieur du compartiment congélateur. Surveillez le récipient situé sous le drain afin d'éviter tout débordement.

- Essayez l'intérieur du congélateur et remplacez la fiche électrique dans la prise de courant.
- Remettez le bouton de réglage de la température sur le réglage souhaité.





## Dépannage

### ATTENTION

Avant le dépannage, débranchez le cordon d'alimentation. Seuls des électriciens qualifiés ou d'autres personnes compétentes peuvent effectuer les opérations de dépannage qui ne sont pas décrites dans ce guide d'utilisation.

### IMPORTANT

L'appareil émet des bruits dans les conditions normales de fonctionnement (compresseur, circulation du fluide frigorigène).

Problème	Cause possible	Solution
L'appareil ne fonctionne pas	Le cordon d'alimentation n'est pas bien branché	Insérez la fiche secteur.
	Le fusible a sauté ou est défectueux	Vérifiez le fusible, remplacez-le si besoin.
	La fiche est défectueuse	Les dysfonctionnements du secteur doivent être corrigés par un électricien.
Les denrées ne sont pas suffisamment congelées	La température n'est pas correctement ajustée.	Veillez consulter le paragraphe Réglage de la température.
	La porte est restée ouverte pendant une période prolongée.	N'ouvrez la porte que pendant le temps nécessaire.
	Une quantité importante de denrées chaudes a été placée dans l'appareil au cours des dernières 24 heures.	Tournez temporairement le régulateur de température vers un réglage plus froid.
L'appareil congèle trop fort.	L'appareil se trouve à proximité d'une source de chaleur.	Veillez consulter le paragraphe Emplacement.
	La température sélectionnée est trop basse ou l'appareil est réglé en position « 7 ».	Réglez provisoirement l'appareil sur une température plus chaude à l'aide du bouton du thermostat.

Problème	Cause possible	Solution
	L'appareil n'est pas droit.	Vérifiez l'appareil et mettez-le à niveau à l'aide de quelques articles.
Bruits inhabituels	L'appareil touche le mur ou d'autres objets.	Déplacez légèrement l'appareil.
	Un élément, par ex. un tuyau à l'arrière de l'appareil, entre en contact avec une autre partie de l'appareil ou le mur.	Si nécessaire, courbez délicatement cet élément pour l'éloigner.
Accumulation importante de givre sur les joints de la porte.	Les joints de la porte ne sont pas hermétiques.	Chauffez soigneusement les parties des joints qui ne sont pas hermétiques à l'aide d'un sèche-cheveux (réglé à basse température). En même temps, façonnez à la main le joint de porte chauffé, de manière à ce qu'il soit correctement positionné.

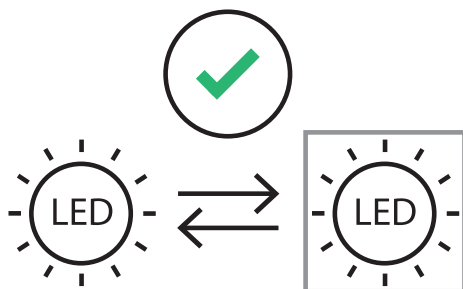
Si le dysfonctionnement persiste, contactez le service après-vente.

## Remplacement de la lampe

L'interrupteur de la lampe LED est contrôlé par la gravité, lorsque l'angle d'ouverture de la porte est supérieur à 30 degrés, il s'allume et s'éteint lorsque l'angle est inférieur à 30 degrés.

- Ce produit contient une source lumineuse exemptée de classe d'efficacité énergétique.
- La source lumineuse de ce produit peut être remplacée par l'utilisateur final.
- Débranchez l'appareil avant de changer la source lumineuse.

- La source lumineuse peut être enlevée à la fin de la vie utile du produit, et triée et recyclée séparément.



### Avertissement

Si la lampe LED ne fonctionne pas lorsque la porte est ouverte, il faut la retirer et la vérifier en suivant les étapes ci-dessous :

- Premièrement, desserrez les vis du couvercle de la lampe
- Deuxièmement, desserrez les vis fixées sur les composants électroniques de la lampe
- Troisièmement, vérifiez si les bornes des câbles des composants électroniques et les bornes des lignes de contact de la lampe de la porte sont desserrées ou non. Serrez-les si elles ne le sont pas. Ensuite, vérifiez si la lampe s'allume ou non. Si la lampe s'allume, installez le couvercle de la lampe. Sinon, vérifiez si le composant électronique est intact ou non. Si nécessaire, remplacez le composant électronique pour vérifier si la lampe s'allume ou non. Si la lampe ne fonctionne toujours pas, contactez le personnel du service après-vente pour obtenir de l'aide.

### **Étapes de l'installation d'une lampe LED**

- Fixez les bornes des câbles des composants électroniques et les lignes de contact dans le revêtement de la porte
- Installez le composant électronique de la LED dans le revêtement de la porte et fixez-le avec des vis
- Installez le couvercle de la lampe sur le support et fixez-le pour terminer le processus

# Bedankt!

Bedankt om dit VALBERG-product te kiezen.  
ELECTRO DEPOT kiest, test, en beveelt de producten  
van het merk VALBERG aan.

Ze zijn eenvoudig te gebruiken, betrouwbaar en van  
onberispelijke kwaliteit.

Dankzij dit toestel kunt u er zeker van zijn dat u bij  
elk gebruik volledig tevreden bent.

Welkom bij ELECTRO DEPOT.

Bezoek onze website: [www.electrodepot.fr](http://www.electrodepot.fr)



**ELECTRO DEPOT**

**A**

**Overzicht van het  
toestel**

Beschrijving van het toestel

**B**

**Gebruik van het  
toestel**

Installatie  
Dagelijks gebruik

**C**

**Praktische informatie**

Nuttige tips en trucs  
Reiniging en onderhoud  
Probleemoplossing

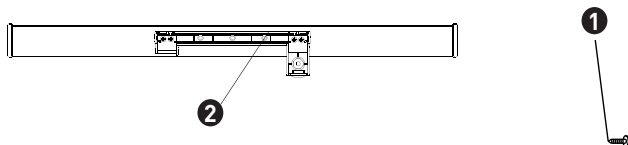
## Beschrijving van het toestel

- 1 Externe handvat
- 2 Wiel (of verstelbare voet)
- 3 Mand
- 4 Bedieningspaneel
- 5 Afvoergat

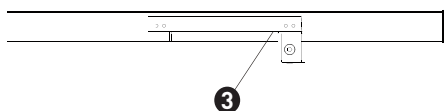
Dit koeltoestel werd niet ontworpen om in een keuken ingebouwd te worden.  
Deze afbeelding dient louter als referentie. Het echte toestel is waarschijnlijk anders.

## Installatie

Het externe handvat plaatsen (indien er een is).

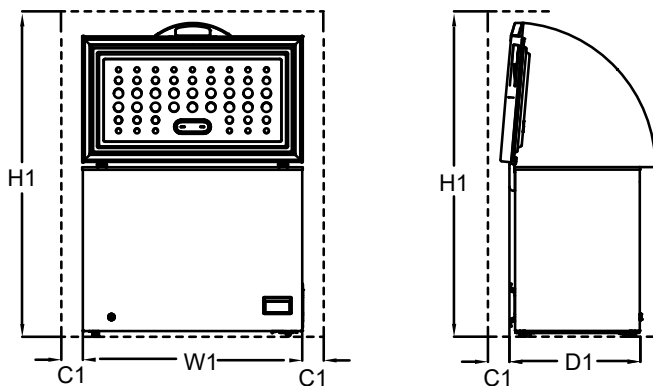


Neem de 4 schroeven **1** en de basis van het handvat **2** uit het zakje met toebehoren. Bevestig vervolgens de basis van het handvat **2** aan de deur met de 4 schroeven **1**.



Plaats het deksel van het handvat **3** in de basis van het handvat **2** tot u een klik hoort.

Vereiste ruimte





## Vereiste ruimte in gebruik

Model	W1 / mm (Breedte van het product)	D1 / mm (Diepte van het product)	H1 / mm (Minimale hoogte)	C1 / mm (Minimale vrije ruimte)
BE1-251	954	616	1500	100
BE1-290	1090	620	1550	100
BE1-380	1300	705	1600	100

**Opmerking: In D1 is de grootte van het externe handvat niet inbegrepen.**

### Plaatsing

Plaats het toestel in een ruimte waarvan de omgevingstemperatuur overeenkomt met de klimaatklasse die aangegeven wordt op het typeplaatje van het toestel.

Voor koeltoestellen met klimaatklasse:

- uitgebreid gematigd: 'Dit koeltoestel werd ontworpen voor gebruik bij een omgevingstemperatuur van 10 tot 32°C (SN);
- gematigd: 'Dit koeltoestel werd ontworpen voor gebruik bij een omgevingstemperatuur van 16 tot 32°C (N);
- subtropisch: 'Dit koeltoestel werd ontworpen voor gebruik bij een omgevingstemperatuur van 16 tot 38°C (ST);
- tropisch: 'Dit koeltoestel werd ontworpen voor gebruik bij een omgevingstemperatuur van 16 tot 43°C (T);

### Locatie

Dit toestel dient ver van warmtebronnen geïnstalleerd te worden, zoals radiatoren, boilers, direct zonlicht enzovoort. Zorg erop dat de lucht vrij achter het toestel kan circuleren.

Indien het toestel onder een overhangend muurelement wordt geplaatst, moet de afstand tussen de bovenkant van het toestel en het muurelementen minstens 100 mm zijn voor een optimale werking van het toestel.

In de mate van het mogelijke is het steeds wenselijk het toestel niet onder overhangende muurelementen te plaatsen. Met één of meerdere verstelbare voeten aan de onderkant van het toestel kan het toestel perfect waterpas geplaatst worden.

**WAARSCHUWING**

Het moet mogelijk zijn de stekker van het toestel uit het stopcontact van de netspanning te halen; het stopcontact moet dus na de installatie gemakkelijk toegankelijk zijn.

**Elektronische aansluiting**

Controleer of de spanning en de frequentie op het typeplaatje overeenkomen met de elektrische voeding bij u thuis voor u de stekker van het toestel in het stopcontact steekt. Dit toestel dient geaard te worden. De stekker van de voedingskabel heeft hiervoor een contact. Wanneer het stopcontact van uw elektrische voeding niet op de aarding aangesloten is, dient u een beroep te doen op een gekwalificeerd elektricien en het toestel te laten aansluiten op een afzonderlijke aardingslijn in overeenstemming met de geldende reglementen.

De fabrikant kan geenszins aansprakelijk gesteld worden indien bovenstaande voorzorgsmaatregelen niet in acht genomen worden. Het toestel is in overeenstemming met de Europese regelgeving.

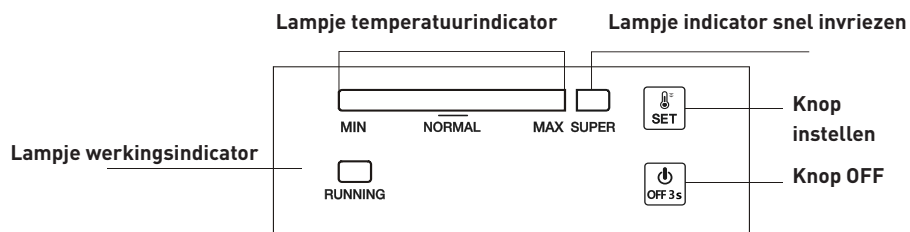
## Dagelijks gebruik

### De binnenkant schoonmaken

Was de binnenkant en alle accessoires met lauw water en neutrale zeep om de typische geur van nieuwe toestellen te verwijderen voor u het toestel voor de eerste keer gebruikt. Droog alles zorgvuldig af.

## BELANGRIJK

Gebruik geen schoonmaak- of schuurmiddelen, aangezien ze de afwerking kunnen beschadigen.



### Elektrische aansluiting

Wanneer de stekker van het toestel in het stopcontact zit, zullen alle led indicatorlampen één keer knipperen. Vervolgens zal het toestel de modus hervatten zoals die was ingesteld voor de stroomuitval.

### Temperatuurinstelling

#### Instelling

- Druk op de knop "SET" om naar de modus voor het instellen van de temperatuur te gaan. Het balkje van de temperatuurindicator gaat met elke druk één streepje naar boven. Deze instelling verloopt in cycli.
- De temperatuur kan gaan van het streepje MIN tot het streepje MAX. Het streepje MAX is het koudst.
- De temperatuur wordt automatisch ingesteld na 5 seconden na het drukken.

**TIP**

Normaal is het aanbevolen om de temperatuur op "NORMAAL" of kouder in te stellen om voeding optimaal te bewaren. De langste bewaartermijn in deze situatie is niet langer dan 1 maand. Wanneer de aanbevolen instelling niet wordt gebruikt, kan dit de bewaartermijn verminderen.

Super invriezen

- Druk opeenvolgend op de knop "SET" om naar de invriesmodus "SUPER" te gaan met het streepje MAX. Het balkje van de indicator aan de linkerkant wordt donker, terwijl het indicatorlampje van "SUPER" begint te branden. Deze modus wordt automatisch ingesteld 5 seconden na het laatste keer drukken.
- De compressor blijft werken in de invriesmodus "SUPER".
- Wanneer de modus "SUPER" 52 uur lang werkt en niet manueel wordt gestopt, zal het systeem deze modus automatisch uitschakelen en wordt de temperatuur opnieuw op het streepje 5 gezet.

**Power ON en Power OFF**

Druk wanneer het toestel werkt 3 seconden lang op "ON/OFF" om het toestel uit te schakelen. Druk wanneer het toestel niet werkt, 3 seconden lang op "ON/OFF" om het toestel in te schakelen.

**Indicatorlampjes**Indicatorlampje voor de temperatuur (Helderblauw)

Om de temperatuur aan te passen van het streepje MIN naar het streepje MAX. MAX is het koudst.

Indicatorlampje super invriezen (Helderblauw)

Lampje aan = in modus "SUPER", lampje uit = compressor stopt.

Indicatorlampje werken (Heldergroen)

Lampje aan = compressor werkt, lampje uit = compressor werkt niet.

30 minuten na de laatste handling zal het indicatorlampje half fel branden.

### Hervatfunctie

Het toestel zal automatisch de modus hervatten die was ingesteld voor de stroomuitval.

### De temperatuursensor geeft alarm

Wanneer er een aansluitingsprobleem is of de temperatuursensor defect is, zal als foutalarm het balkje van de temperatuurindicator om de 0,5 seconden van links naar rechts knipperen.

### Verse voeding invriezen

- Er kan verse voeding ingevroren worden in het diepvriesvak. U kan er ook diepvriesvoeding voor lange tijd in bewaren.
- Plaats verse voeding in het diepvriesvak om het in te vriezen.
- De maximale hoeveelheid voeding die in 12 uur tijd ingevroren kan worden, staat vermeld op de kenplaatje van het toestel.
- Het invriesproces duurt 12 uur: Voeg gedurende deze periode geen andere voeding toe die moet worden ingevroren.

### Diepgevroren voeding bewaren

Wanneer het toestel de eerste keer wordt opgestart of nadat het toestel lange tijd niet werd gebruikt. Laat het toestel minstens 2 uur op de hoogste instelling werken alvorens voeding in het compartiment te plaatsen.

## BELANGRIJK

Wanneer de voeding per ongeluk ontdooid werd, bijvoorbeeld wanneer een stroomonderbreking langer geduurd heeft dan de waarde vermeld bij de technische kenmerken onder "Toenametijd" moet de ontdooidde voeding snel opgegeten worden of onmiddellijk gekoeld en na het bereiden opnieuw ingevroren worden.

### Ontdooien

Diepgevroren of ingevroren voeding kan in de koelkast ontdooid worden voor gebruik of op kamertemperatuur, afhankelijk van de tijd die u heeft.

Kleine stukjes kunnen ook uit de diepvriezer gehaald worden en direct bereid worden. In dit geval is de bereidingstijd langer.

## Nuttige tips en trucs

### Tips om in te vriezen

Hieronder vindt u een aantal tips om uw diepvriezer zo goed mogelijk te benutten.

- De maximale hoeveelheid voeding die in 12 uur kan worden ingevroren, staat vermeld op het kenplaatje.
- Het invriesproces duurt 12 uur. Gedurende deze periode mag geen andere voeding die moet worden ingevroren, worden toegevoegd.
- Om de functie SUPER te starten 24 uur voor u de voeding in het toestel plaatst, kan helpen om het beste invriesvermogen te behalen.
- Vries enkel verse, zorgvuldig gereinigde voeding van topkwaliteit in;
- Verdeel de voeding in kleine porties zodat ze snel volledig kan afkoelen en u later enkel de hoeveelheid die u nodig heeft dient te ontdooien.
- Verpak de voeding in aluminiumfolie of polyethyleen en zorg ervoor dat de verpakkingen luchtdicht zijn.
- Zorg ervoor dat niet-ingevroren voeding niet in contact komt met reeds ingevroren voeding om te vermijden dat de temperatuur ervan stijgt.
- Magere producten kunnen beter en langer bewaard worden dan vette. Zout vermindert de bewaartijd van voeding.
- Waterijs kan de huid verbranden wanneer u het onmiddellijk nadat u het uit de diepvriezer neemt eet.
- Wij raden u aan de datum van het invriezen op elke verpakking te noteren zodat u kan zien hoelang ze reeds ingevroren zijn.

### **Tips om ingevroren voeding te bewaren**

Om de beste resultaten met dit toestel te bereiken dient u:

- Ervoor te zorgen dat commercieel ingevroren voeding juist bewaard wordt door de handelaar;
- Ervoor te zorgen dat de ingevroren voeding zo snel mogelijk van de winkel naar de diepvriezer gebracht wordt;
- Ervoor te zorgen dat u de deur niet te vaak opent en ze niet langer open laat dan strikt noodzakelijk.
- Eens voeding ontdooid is, gaat de kwaliteit ervan snel achteruit en kan ze niet opnieuw ingevroren worden.
- Bewaar de voeding niet langer dan aangegeven door de voedselproducent

## Reiniging en onderhoud

Omwille van de hygiëne moet de binnenkant van het toestel, inclusief de accessoires, regelmatig schoongemaakt worden.

### OPGELET

Het toestel mag niet aangesloten zijn op netspanning tijdens het schoonmaken. Risico op elektrische schok! Schakel het toestel uit, trek de stekker uit het stopcontact of verwijder de zekering vooraleer u het toestel reinigt. Reinig het toestel nooit met een stoomreiniger. Er kan zich vocht ophopen in de elektrische componenten wat kan leiden tot elektrische schokken! De hete dampen kunnen de plastic onderdelen beschadigen. Het toestel dient droog te zijn alvorens het in werking wordt gesteld.

### BELANGRIJK

Essentiële oliën en organische solventen (bijv. citroen- of sinaasappelschil of -sap, boterzuur, detergent dat zoutzuur bevat), kunnen de plastic onderdelen beschadigen.

- Laat deze stoffen niet in contact komen met onderdelen van het toestel.
- Gebruik geen schuurmiddelen
- Haal het voedsel uit de diepvriezer. Plaats ze goed afgedekt op een koude plaats.
- Schakel het toestel uit en trek de stekker uit het stopcontact, of schakel de verzekering uit of verwijder ze vooraleer u het toestel reinigt.

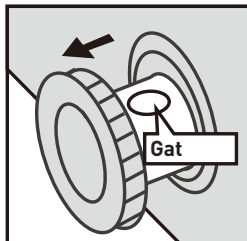


- Reinig het toestel en de accessoires binnenin met een doek en lauw water. Spoel ze daarna af met zuiver water en droog ze af.

## De diepvriezer ontdooien

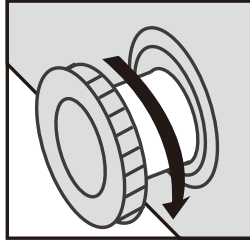
Het diepvriesvak geraakt binnenin langzaam aan bedekt met ijs. Dit dient verwijderd te worden. Gebruik nooit scherpe metalen voorwerpen om het ijs te verwijderen van de verdamper aangezien u hem zou kunnen beschadigen. Wanneer er veel ijs is, dient u het diepvriesvak als volgt volledig te ontdooien:

- Trek de stekker van de eenheid uit het stopcontact. Verwijder de afvoerdop van de binnenkant van de diepvriezer. Het ontdooien duurt meestal enkele uren. Om sneller te ontdooien, laat de deur van de diepvriezer open staan.
- Om dooiwater af te voeren, plaats een schaal onder de buitenste afvoerdop. Trek de afvoerdop uit.



- Draai de afvoerdop 180 graden. Zo zal het water in de schaal lopen. Wanneer u klaar bent, duw de afvoerdop er opnieuw in. Stop de afvoerdop opnieuw binnen in het diepvriescompartiment. Houd de container onder de afvoer in de gaten om te vermijden dat deze overloopt.

- Wrijf de binnenkant van de diepvriezer proper en stop de stekker opnieuw in het stopcontact.
- Stel de temperatuurcontrole in op het gewenste niveau.



## Probleemoplossing

### OPGELET

Trek de stekker uit voordat u aan het toestel werkt. Enkel gekwalificeerde elektriciens of andere bevoegde personen mogen herstellingen die niet in deze handleiding vermeld worden uitvoeren.

### BELANGRIJK

Het toestel maakt geluiden in normale werkingsomstandigheden (compressor, circulatie van koelvloeistof).

Probleem	Mogelijke oorzaak	Oplossing
Het toestel werkt niet.	De stekker zit niet of niet goed in het stopcontact	Steek de stekker in.
	De zekering is doorgebrand of defect	Controleer de zekering, vervang ze indien nodig.
	Het stopcontact is kapot	Storingen aan de elektriciteit dienen verholpen te worden door een elektricien.
De voeding is niet voldoende ingevroren	De temperatuur is niet juist ingesteld.	Zie sectie Temperatuurstelling.
	De deur stond gedurende lange tijd open.	Open de deur niet langer dan nodig.
	Er werd de afgelopen 24 uur een grote hoeveelheid warme voeding in het toestel geplaatst.	Zet de temperatuurregelaar tijdelijk op een koudere stand.
Het toestel koelt te veel	Het toestel bevindt zich in de buurt van een warmtebron.	Zie sectie Locatie.
	De temperatuur is te koud ingesteld of het toestel werkt bij de instelling "7".	Draai tijdelijk de temperatuurregelaar op een warmere stand.

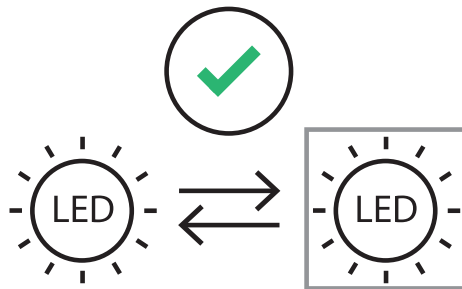
Probleem	Mogelijke oorzaak	Oplossing
Vreemde geluiden	Het toestel is niet waterpas.	Controleer het toestel en zet het waterpas door er enkele voorwerpen onder te plaatsen.
	Het toestel raakt de muur of andere voorwerpen.	Verplaats het toestel een beetje.
	Een onderdeel, bijvoorbeeld een leiding aan de achterkant van het toestel, komt in contact met een ander deel van het toestel of met de muur.	Buig indien nodig dit onderdeel voorzichtig zodat het wat verder weg is.
Er zit veel ijs op de deurdichting.	De deurdichting is niet luchtdicht.	Verwarm de lekkende delen van de deurdichting voorzichtig met een haardroger (op een koele stand). Vorm tezelfdertijd de verwarmde deurdichting met de hand zodat ze correct past.

Neem contact op met de Klantendienst indien het probleem zich opnieuw voordoet.

## De lamp vervangen

De schakelaar van de ledlamp wordt gecontroleerd door de zwaartekracht. Wanneer de hoek van de deuropening meer bedraagt dan 30 graden, zal de schakelaar worden aan- en uitgeschakeld wanneer de hoek kleiner is dan 30 graden.

- Dit product heeft een lichtbron die geen energie-efficiëntieklasse heeft.
- De lichtbron kan door de eindgebruiker vervangen worden.
- Schakel het toestel uit voor u de lamp vervangt.
- De lichtbron dient op het einde van de levensduur van het product te worden verwijderd, waarbij het sorteren en recycleren afzonderlijk gebeurt.



## Opmerking

Wanneer de ledlamp niet werkt wanneer de deur open staat, laat los en controleer als volgt:

- Maak eerst de schroeven op het deksel van de lamp los
- Maak vervolgens de schroeven los die bevestigd zijn op de elektronische onderdelen van de lamp
- Controleer de kabeluiteinden van de elektronische onderdelen en controleer of de uiteinden van de kabels van de deurlamp los zitten of niet. Maak ze vast wanneer ze los zitten. Controleer vervolgens of de lamp aan is of niet. Wanneer de lamp brandt, monteer opnieuw het deksel van de lamp. Zo niet, controleer of het elektronisch onderdeel intact is of niet. Vervang indien nodig het elektronisch onderdeel om te controleren of de lamp aan is of niet. Wanneer de lamp nog steeds niet werkt, neem contact op met de dienst na verkoop.

## De stappen om de ledlamp te installeren

- Bevestig de kabeluiteinden van de elektronische onderdelen en de contactlijnen in de deurliner
- Installeer de elektronische ledonderdelen in de deurliner en maak ze vast met de schroeven
- Monteer het deksel van de lamp op de houder en maak ze vast om het proces te voltooien

# ¡Gracias!

Gracias por elegir este producto VALBERG. Seleccionados, probados y recomendados por ELECTRO DEPOT, los productos de la marca VALBERG son fáciles de usar, fiables y de un acabado impecable. Gracias a este electrodoméstico, puede estar seguro de que cada uso le proporcionará satisfacción.

Bienvenido a ELECTRO DEPOT.

Visite nuestra página web: [www.electrodepot.es](http://www.electrodepot.es)

**A Descripción del aparato**

Descripción del electrodoméstico

---

**B Utilización del aparato**

Instalación  
Uso diario

---

**C Información práctica**

Consejos y sugerencias útiles  
Limpieza y mantenimiento  
Solución de problemas



## Descripción del electrodoméstico

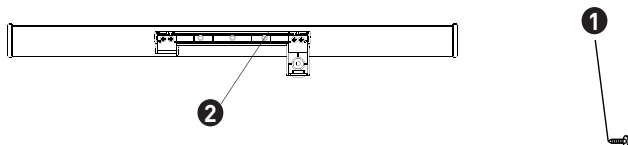
- 1 Tirador exterior
- 2 Rueda (o pata ajustable)
- 3 Cesta
- 4 Panel de control
- 5 Orificio de drenaje

Este electrodoméstico de refrigeración no está diseñado para ser utilizado como electrodoméstico empotrado.

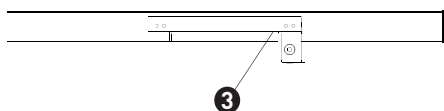
La imagen solo se ofrece como referencia. Es probable que el electrodoméstico real sea diferente.

## Instalación

Tirador exterior de la puerta (en caso de estar presente).

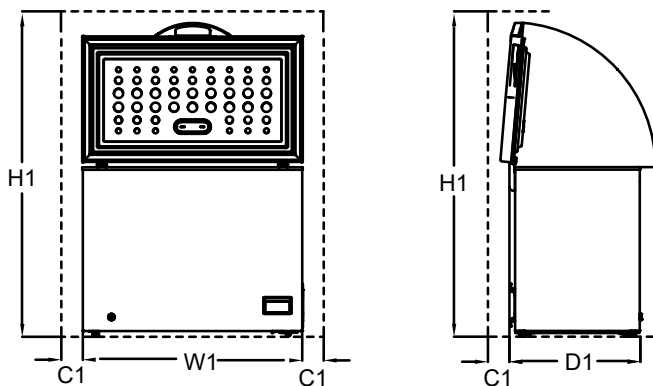


Extraiga 4 tornillos **1** y la base del tirador **2** de la bolsa de accesorios. Fije la base del tirador **2** a la puerta con 4 tornillos **1**.



Inserte tapa del tirador **3** en la base del tirador **2** hasta escuchar un clic.

### Espacio requerido



## Espacio requerido en uso

Modelo	W1 / mm (Ancho del producto)	D1 / mm (Fondo del producto)	H1 / mm (Altura mínima)	C1 / mm (Hueco mínimo)
BE1-251	954	616	1500	100
BE1-290	1090	620	1550	100
BE1-380	1300	705	1600	100

**Observación: D1 no incluye el tamaño del tirador exterior.**

### Posicionamiento

Instale este aparato en un lugar donde la temperatura ambiente corresponda a la clase climática indicada en la placa de características del mismo:

Para aparatos frigoríficos con clase climática:

- templado extendido: este aparato de refrigeración está diseñado para ser utilizado a temperaturas ambiente que oscilen entre 10 °C y 32 °C (SN);
- templado: este aparato de refrigeración está diseñado para ser utilizado a temperaturas ambiente que oscilen entre 16 °C y 32 °C (N);
- subtropical: este aparato de refrigeración está diseñado para ser utilizado a temperaturas ambiente que oscilen entre 16 °C y 38 °C (ST);
- tropical: este aparato de refrigeración está diseñado para ser utilizado a temperaturas ambiente que oscilen entre 16 °C y 43 °C (T);

### Ubicación

El electrodoméstico debe instalarse lejos de fuentes de calor como radiadores, calderas, luz solar directa, etc. Asegúrese de que el aire pueda circular libremente por la parte posterior del electrodoméstico.

Para garantizar un mejor rendimiento, si el electrodoméstico se coloca debajo de un mueble en voladizo, la distancia mínima entre la parte superior del electrodoméstico y el mueble debe ser de al menos 100 mm.

Sin embargo, lo ideal es que el electrodoméstico no se coloque debajo de ningún mueble que sobresalga. El electrodoméstico se puede nivelar con exactitud gracias a una o más patas ajustables situadas en la parte inferior.

**ADVERTENCIA**

Debe ser posible desconectar el electrodoméstico de la red eléctrica; el enchufe debe permanecer fácilmente accesible después de la instalación.

**Conexión eléctrica**

Antes de enchufar el electrodoméstico, asegúrese de que el voltaje y la frecuencia que se muestran en la placa de características se correspondan con el suministro eléctrico de su hogar. El electrodoméstico debe estar conectado a tierra. El enchufe del cable de alimentación está provisto de un contacto para ello. Si la toma de corriente doméstica no está conectada a tierra, conecte el aparato a una toma de tierra separada de acuerdo con la normativa vigente y consulte con un electricista cualificado.

El fabricante declina toda responsabilidad si no se respetan las precauciones de seguridad anteriores. Este electrodoméstico cumple las directivas de la CEE.

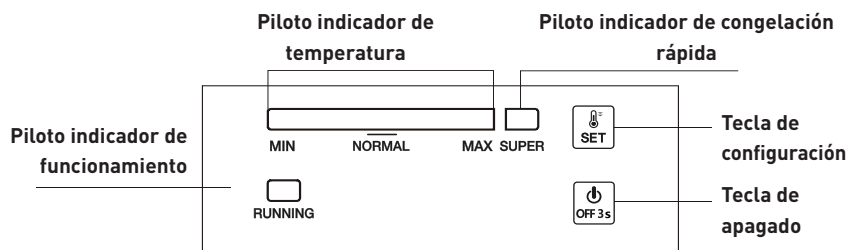
## Uso diario

### Limpeza del interior

Antes de utilizar el electrodoméstico por primera vez, limpie el interior y todos los accesorios interiores con agua tibia y un poco de jabón neutro para eliminar el olor típico de un producto nuevo y luego séquelos bien.

## IMPORTANTE

No utilice detergentes o polvos abrasivos, ya que dañarán el acabado.



### Conexión eléctrica

Una vez enchufado el electrodoméstico, todos los LED parpadearán una vez. Entonces, el electrodoméstico regresará al modo configurado previamente al corte eléctrico.

### Ajuste de la temperatura

#### Ajuste

- Pulse el botón «SET» para acceder al modo de configuración de la temperatura. La barra indicadora de temperatura sube un nivel con cada presión. Este ajuste funciona en ciclos.
- La temperatura puede oscilar entre el nivel MÍN. y el MÁX. El nivel MÁX es el más frío.
- La temperatura se configura automáticamente 5 segundos después de la pulsación.

## CONSEJO ÚTIL

Normalmente, se recomienda ajustar la temperatura en «NORMAL» o en un valor más frío para una conservación óptima de los alimentos. El periodo de conservación más largo en este caso es como máximo 1 mes. No ajustar el valor recomendado, podría reducir el tiempo de conservación.

### Supercongelación

- Pulse el botón «SET» de manera consecutiva para entrar en el modo de congelación «SUPER» del nivel MÁX.; entonces, la barra indicadora de la izquierda se apagará, mientras que el piloto luminoso «SUPER» se encenderá. Este modo se configurará automáticamente 5 segundos después de la última pulsación.
- El compresor sigue funcionando en modo de congelación «SUPER».
- Si el modo «SUPER» se mantiene activo durante 52 horas y no se detiene de forma manual, el sistema saldrá automáticamente de este modo y la temperatura regresará al valor de ajuste 5.

### **Encendido y apagado**

Si el electrodoméstico está funcionando, pulse el botón «ON/OFF» durante 3 segundos para apagarlo.

Si el electrodoméstico está apagado, pulse el botón «ON/OFF» durante 3 segundos para encenderlo.

### **Pilotos luminosos**

#### Luz indicadora de temperatura (azul brillante)

Para ajustar la temperatura entre el valor MÍN y el valor MÁX. El nivel MÁX. es el más frío.

#### Luz indicadora de supercongelación (azul brillante)

Encendida = en modo «SUPER», apagada = el compresor se detiene.

#### Luz indicadora de funcionamiento (verde brillante)

Encendida = compresor en funcionamiento, apagada = el compresor apagado.

30 minutos tras la última operación, el piloto luminoso se encenderá con un nivel de brillo intermedio.

### **Función de reinicio**

El electrodoméstico regresará automáticamente al modo configurado previamente al corte eléctrico.

### **Alarma de fallo de sensor de temperatura**

Cuando se produce una desconexión o un corte en el sensor de temperatura, como una alarma de fallo, la barra indicadora de temperatura parpadeará de izquierda a derecha cada 0,5 segundos.

### **Congelación de alimentos frescos**

- El compartimento del congelador es apto para congelar alimentos frescos y almacenar alimentos congelados o ultracongelados durante largos periodos de tiempo.
- Coloque los alimentos frescos para congelar en el compartimento del fondo.
- La cantidad máxima de alimentos que se puede congelar en 12 horas se especifica en la placa de características técnicas del electrodoméstico.
- El proceso de congelación dura 12 horas: durante este tiempo, no añada más alimentos para congelar.

### **Conservación de alimentos congelados**

En la primera puesta en marcha o tras un periodo fuera de uso. Antes de introducir productos en el compartimento deje que el electrodoméstico funcione durante 2 horas configurado en los valores de ajuste más altos.

### **IMPORTANTE**

En caso de descongelación accidental, por ejemplo si se corta el suministro eléctrico durante un tiempo superior al valor indicado en la placa de características técnicas en «tiempo de subida», los alimentos descongelados deberán consumirse con rapidez o cocinarse de inmediato para volver a congelarse (una vez cocinados).

### **Descongelación**

Antes de su consumo, los alimentos ultracongelados o congelados se pueden descongelar a temperatura ambiente, en función del tiempo del que se disponga para ello.

Algunos alimentos de pequeño tamaño pueden incluso cocinarse todavía congelados, nada más salir del congelador. En este caso, el tiempo de cocción podría ser más largo.

## Consejos y sugerencias útiles

### Sugerencias para la congelación

Para ayudarle a aprovechar al máximo el proceso de congelación, he aquí algunas sugerencias importantes:

- La cantidad máxima de alimentos que se puede congelar en 12 horas se especifica en la placa de características técnicas del electrodoméstico;
- El proceso de congelación dura 12 horas. En este tiempo, no deben añadirse más alimentos para congelar;
- Activar la función SUPER 24 horas antes de introducir los alimentos en el electrodoméstico permite optimizar la capacidad de congelación;
- Congele únicamente alimentos frescos, de primera calidad y perfectamente limpios;
- Separe los alimentos en pequeñas porciones a fin de facilitar una congelación completa y rápida, y para poder descongelar posteriormente solo la cantidad de alimento que precise;
- Envuelva los alimentos en papel de aluminio o film de polietileno y asegúrese de que los embalajes sean herméticos;
- No ponga en contacto alimentos frescos no congelados con alimentos ya congelados para evitar cambios en la temperatura de estos últimos;
- Los alimentos magros se conservan mejor y durante más tiempo que los alimentos grasos; la sal reduce el periodo de conservación de los alimentos;



- Los cubitos de hielo, si se consumen nada más salir del compartimento del congelador, pueden provocar quemaduras en la piel;
- Se recomienda anotar la fecha de congelación en cada paquete individual para poder controlar los tiempos de conservación.

### **Sugerencias para la conservación de los alimentos congelados**

Para sacar el máximo rendimiento a este electrodoméstico, debería:

- Asegurarse de que el establecimiento comercial ha tomado todas las precauciones necesarias para mantener la cadena de frío de los alimentos congelados;
- Asegurarse de que el tiempo transcurrido entre la compra de los alimentos congelados y su introducción en el congelador es el más breve posible;
- No abrir la puerta con frecuencia ni dejarla abierta durante más tiempo del necesario.
- Una vez descongelados, los alimentos se deterioran rápidamente y no pueden volver a congelarse;
- No exceda el tiempo de conservación indicado por el fabricante de los alimentos

## Limpieza y mantenimiento

Por razones de higiene, el interior del electrodoméstico, incluidos los accesorios interiores, debe limpiarse con regularidad.

### PRECAUCIÓN

El electrodoméstico no debe estar conectado a la red eléctrica durante la limpieza. ¡Peligro de descarga eléctrica! Antes de limpiarlo, apague el aparato y desconecte el enchufe de la red, o apague el disyuntor o el fusible. Nunca limpie el electrodoméstico con un limpiador a vapor. Se puede acumular humedad en los componentes eléctricos y esto podría provocar una descarga eléctrica. Los vapores calientes pueden dañar las piezas de plástico. El electrodoméstico debe estar seco antes de volver a ponerlo en funcionamiento.

### IMPORTANTE

Los aceites etéreos y los disolventes orgánicos, como el zumo de limón o de naranja, el ácido butírico o los limpiadores que contienen ácido acético, pueden dañar las piezas de plástico.

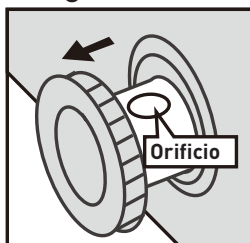
- No permita que tales sustancias entren en contacto con las partes del electrodoméstico.
- No utilice limpiadores abrasivos
- Saque la comida del congelador. Guárdela en un lugar fresco, bien tapada.
- Apague el electrodoméstico y desconecte el enchufe de la red, o apague el disyuntor o el fusible.

- Limpie el electrodoméstico y los accesorios interiores con un paño y agua tibia. Después de limpiarlos, enjuáguelos con agua y séquelos.

## Descongelación del congelador

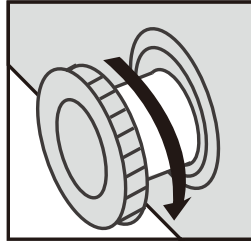
A pesar de tomar todas las precauciones, el congelador irá acumulando escarcha de manera progresiva. Esta escarcha debe retirarse. No utilice objetos de metal afilados para retirar la escarcha del evaporador pues podría dañarlo. No obstante, cuando la capa de hielo en el revestimiento interior se vuelva muy gruesa, debería realizarse una descongelación completa del modo siguiente:

- Desenchufe el electrodoméstico. Quite el tapón de drenaje del interior del congelador. La descongelación suele tardar varias horas. Para descongelar más rápidamente, mantenga la puerta del congelador abierta.
- Para el drenaje, coloque una bandeja debajo del tapón de drenaje exterior. Extraiga la rueda de drenaje.



- Gira la rueda de drenaje 180 grados. De este modo, el agua de drenaje se verterá en la bandeja. Al terminar, presione la rueda de drenaje hacia el interior. Vuelva a colocar el tapón de drenaje en el interior del congelador. Supervise el recipiente debajo del drenaje para evitar que desborde.

- Limpie el interior del congelador y vuelva a colocar el enchufe en la toma eléctrica.
- Restablezca el control de temperatura en el ajuste deseado.



## Solución de problemas

### PRECAUCIÓN

Antes de solucionar cualquier problema, desconecte la fuente de alimentación. Los problemas que no se especifican en este manual deben ser resueltos por un electricista cualificado o una persona competente.

### IMPORTANTE

Es normal que el electrodoméstico emita algunos ruidos (compresor y circulación de refrigerante).

Problemas	Posible causa	Solución
El electrodoméstico no funciona	El enchufe de red no está enchufado o está suelto	Introduzca el enchufe de red.
	El fusible se ha fundido o está defectuoso	Compruebe el fusible y cámbielo si es necesario.
	El enchufe está defectuoso	Las averías de la red deben ser corregidas por un electricista.
Los alimentos no se congelan lo suficiente	La temperatura no está ajustada correctamente.	Consulte la sección Configuración de la temperatura inicial.
	La puerta ha estado abierta durante un período prolongado.	Abra la puerta solo el tiempo necesario.
	Se colocó una gran cantidad de comida caliente en el electrodoméstico en las últimas 24 horas.	Cambie la temperatura a un ajuste más frío temporalmente.
El electrodoméstico congela demasiado	El electrodoméstico está cerca de una fuente de calor.	Consulte la sección de Ubicación.
	La temperatura está ajustada en un valor demasiado frío o el electrodoméstico está funcionando en el valor de ajuste «7».	Gire el mando de regulación de la temperatura a un ajuste más caliente de manera temporal.

Problemas	Posible causa	Solución
Ruidos inusuales	El electrodoméstico no está nivelado.	Compruebe el electrodoméstico y proceda a nivelarlo.
	El electrodoméstico toca la pared u otros objetos.	Mueva el electrodoméstico ligeramente.
	Un elemento, como un tubo, de la parte trasera del electrodoméstico, toca otra parte del electrodoméstico o la pared.	Si fuese necesario, doble con cuidado el elemento para que no moleste.
Acumulación excesiva de escarcha en la junta de la puerta.	La junta de la puerta no cierra herméticamente.	Con cuidado, caliente las partes de la junta de la puerta que presenten fugas con un secador de pelo (en un ajuste templado). Al mismo tiempo, moldee la junta de la puerta caliente con la mano hasta que encaje correctamente.

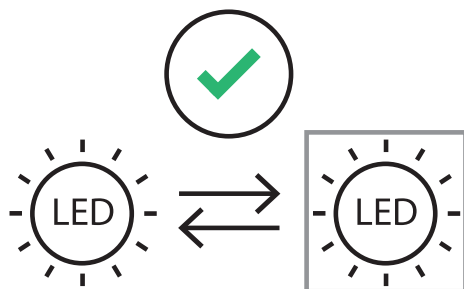
Si el error vuelve a aparecer, contacte con el servicio de posventa.

## Reemplazar la bombilla

El interruptor de la lámpara LED posee un control por gravedad, es decir, cuando el ángulo de apertura de la puerta sea superior a 30° se encenderá y se apagará cuando el ángulo sea inferior a 30°.

- Este producto contiene una fuente de luz sin clase de eficiencia energética.
- La fuente de luz de este electrodoméstico puede ser reemplazada por el usuario final.
- Desenchufe el electrodoméstico antes de proceder a cambiar cualquier bombilla.

- La fuente de luz se retirará al final de la vida útil del producto para efectuar la clasificación y el reciclaje por separado.



### Aviso

Cuando la lámpara LED no funcione con la puerta abierta, realice las comprobaciones siguientes:

- En primer lugar, afloje los tornillos de la tapa de la lámpara
- En segundo lugar, afloje los tornillos en las piezas electrónicas de la lámpara
- En tercer lugar, compruebe si los terminales de los cables de las piezas electrónicas y los terminales de los cables de contacto de la puerta se han aflojado. De ser así, proceda a apretarlos. A continuación, compruebe si se enciende la luz. Si la lámpara se enciende, proceda a colocar la tapa. En caso contrario, compruebe si las piezas electrónicas presentan algún deterioro. Si fuera necesario, cambie la pieza electrónica y compruebe si la lámpara se enciende o no. Si la lámpara sigue sin funcionar, contacte con el servicio posventa para solicitar asistencia.

**Pasos para la instalación de la lámpara LED**

- Fije los terminales de los cables de las piezas electrónicas y los cables de contacto al revestimiento de la puerta
- Instale los componentes LED en el revestimiento de la puerta y fije con tornillos
- Instale la tapa de la lámpara en el soporte y fije para terminar todo el proceso