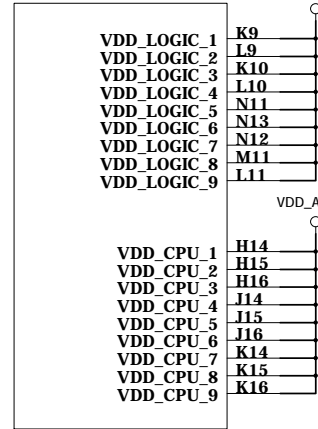


# RK3326 Part- N

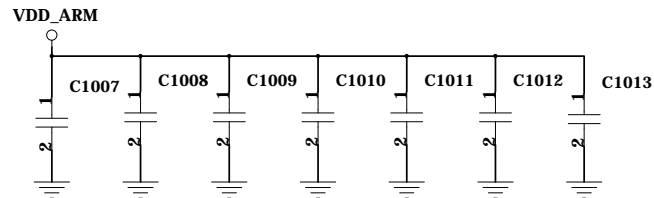
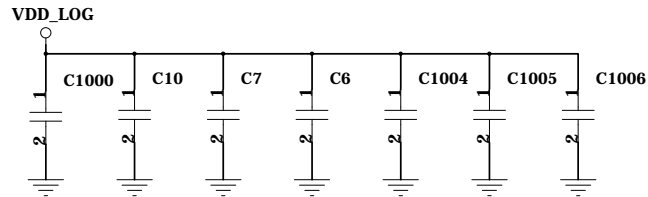
M1528I Circuit diagram

U1000- N



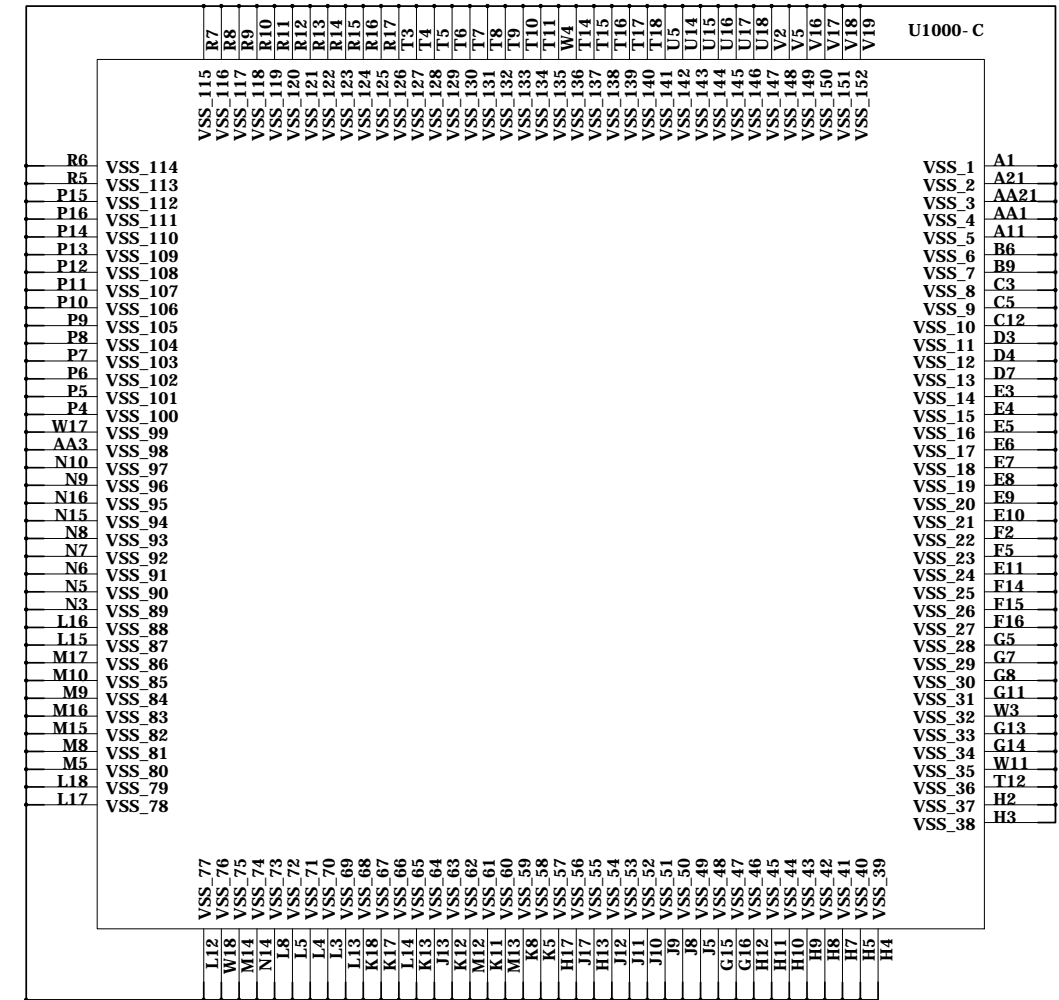
VDD\_LOG Trace>60mil(1.5A)

VDD\_ARM Trace>60mil(1.5A)



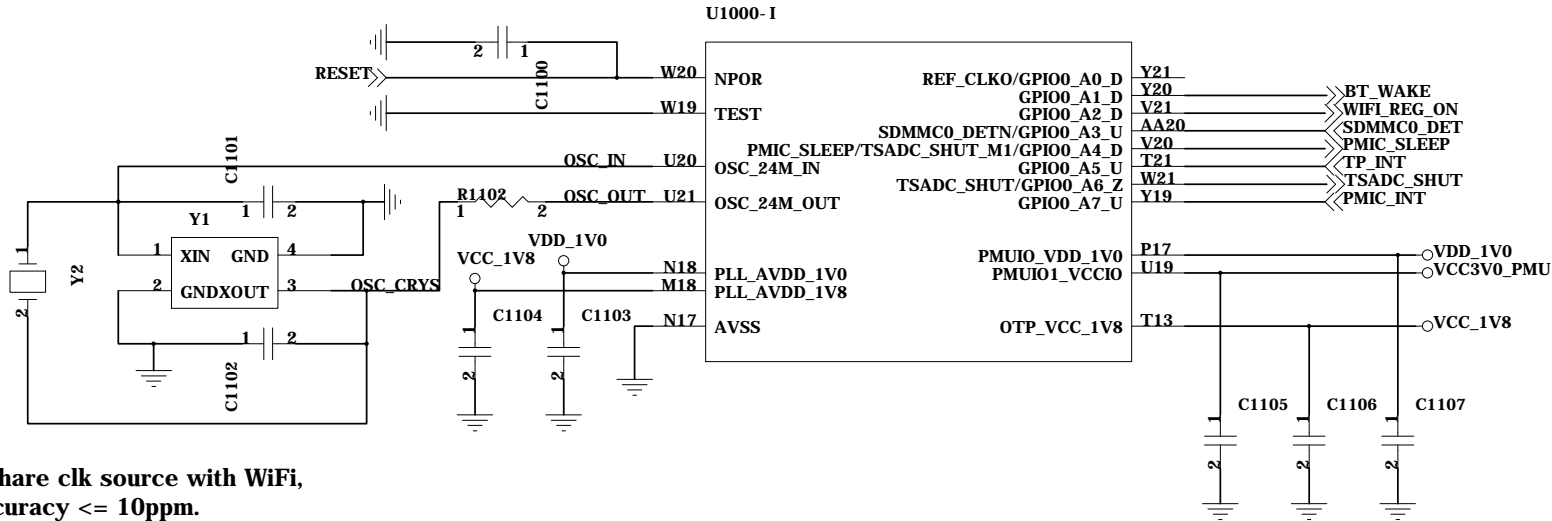
Note:All the Power filter capacitors should be placed close to the power pins of RK3326

# RK3326 Part- C



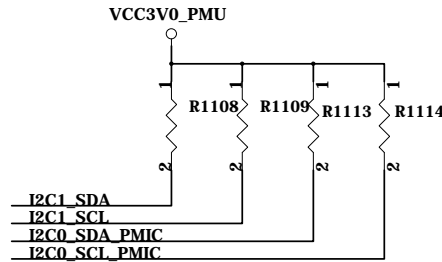
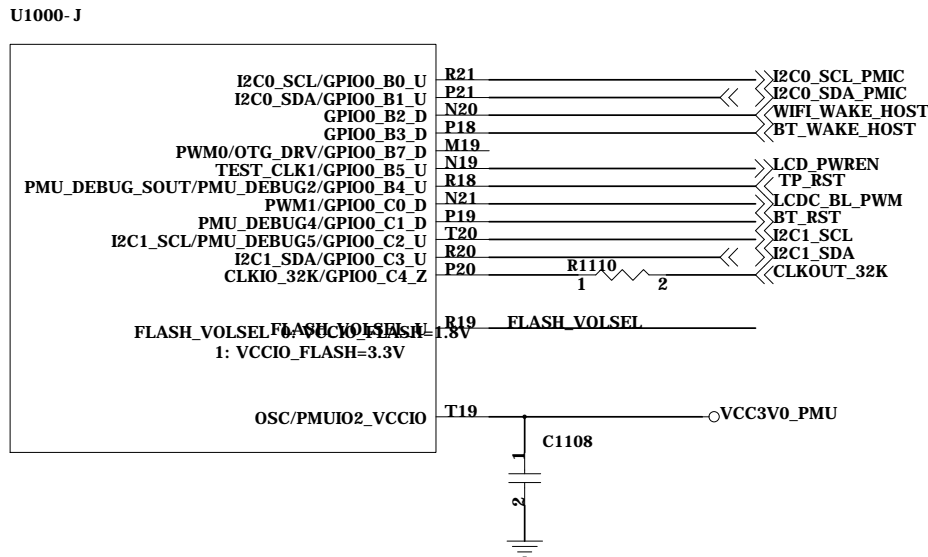
Project:			
File:			
Date:	Tuesday, January 02, 2018	Rev:	V0.1
Designed by:	Linus	Sheet:	11 of 99

# RK3326 Part- N

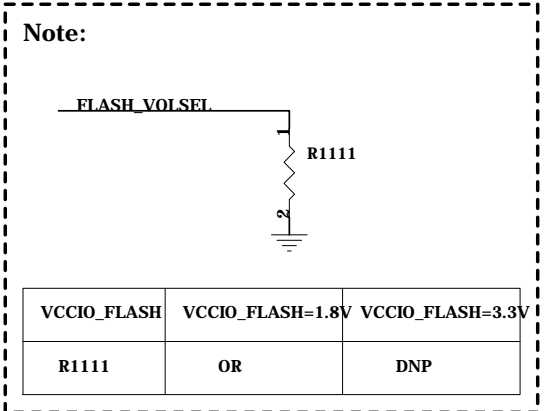


If share clk source with WiFi,  
Accuracy <= 10ppm.  
Otherwise <=20ppm for  
Independent crystal design

# RK3326 Part- J



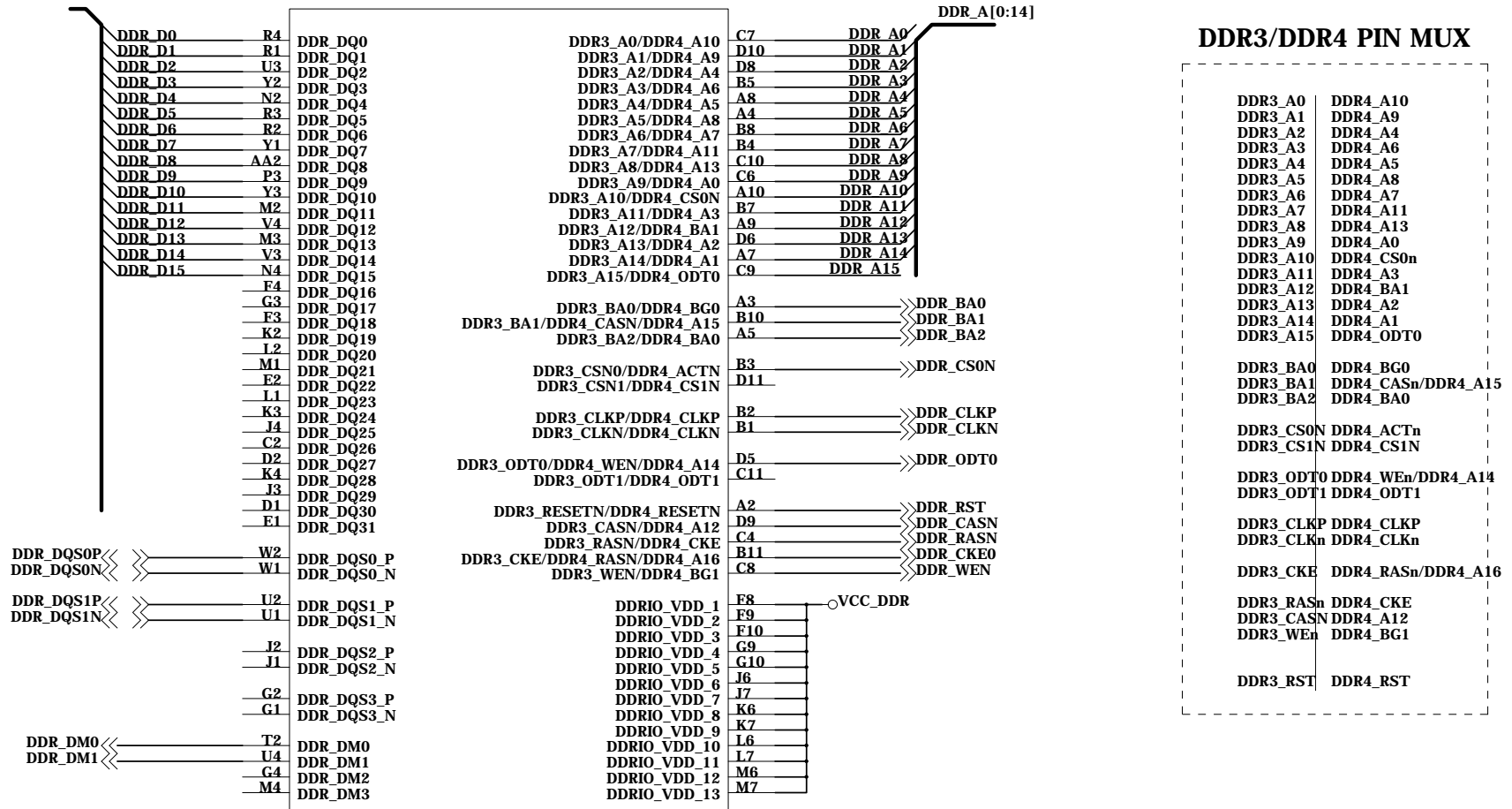
Note:



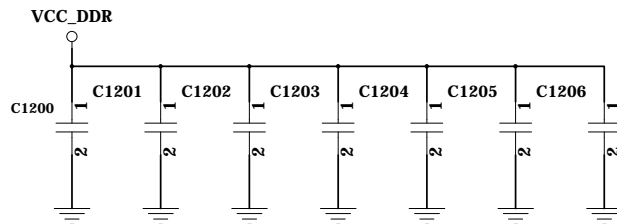
Project:			
File:			
Date:	Tuesday, January 02, 2018	Rev:	V0.1
Designed by:	Linus	Sheet:	11 of 99

# RK3326 Part- A

U1000- A



## Power Filter

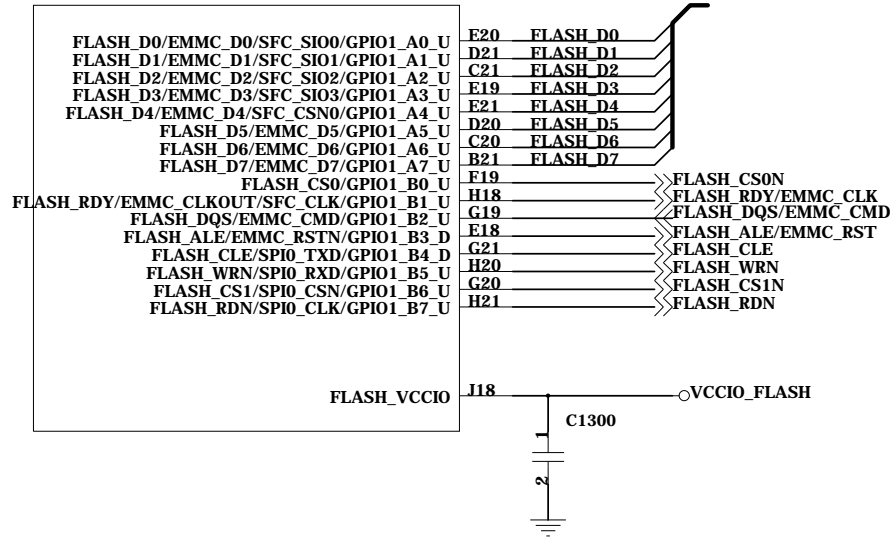


Note: All the Power filter capacitors should be placed close to the power pins of RK3326

Project:			
File:			
Date:	Tuesday, January 02, 2018	Rev:	V0.1
Designed by:	Linus	Sheet:	11 of 99

# RK3326 Part- L

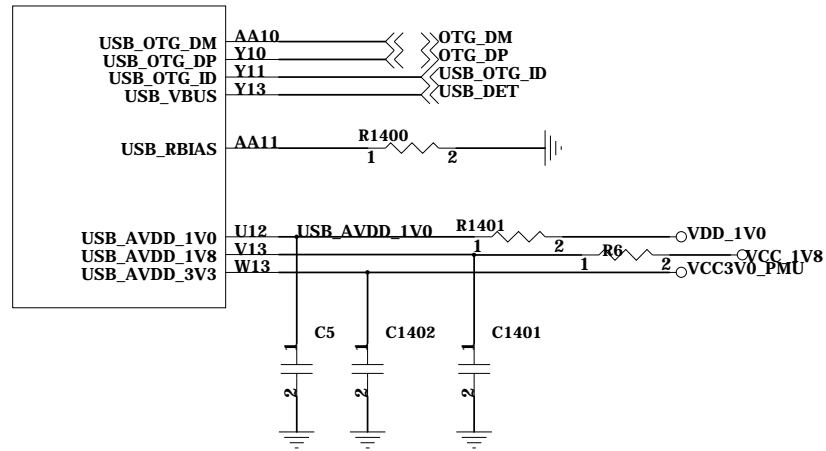
U1000-L



<b>Project:</b>			
<b>File:</b>			
Date:	Tuesday, January 02, 2018	Rev:	V0.1
Designed by:	Linus	Sheet:	11 of 99

# RK3326 Part- E

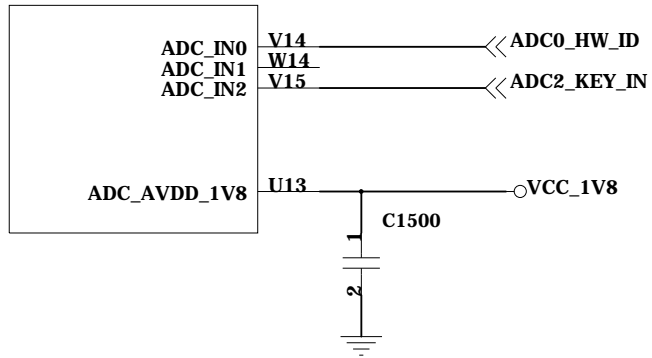
## U1000- E



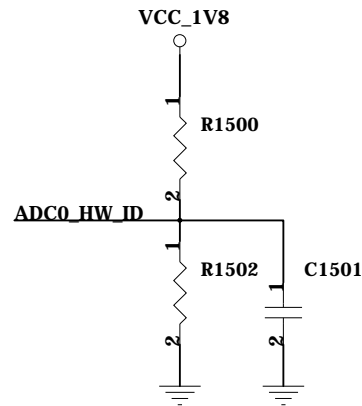
<b>Project:</b>			
<b>File:</b>			
<b>Date:</b>	Tuesday, January 02, 2018	<b>Rev:</b>	V0.1
<b>Designed by:</b>	Linus	<b>Sheet:</b>	11 of 99

# RK3326 Part- F

U1000- F



Key Name	SARADC
VOL+/RECOVERY	10
VOL-	170

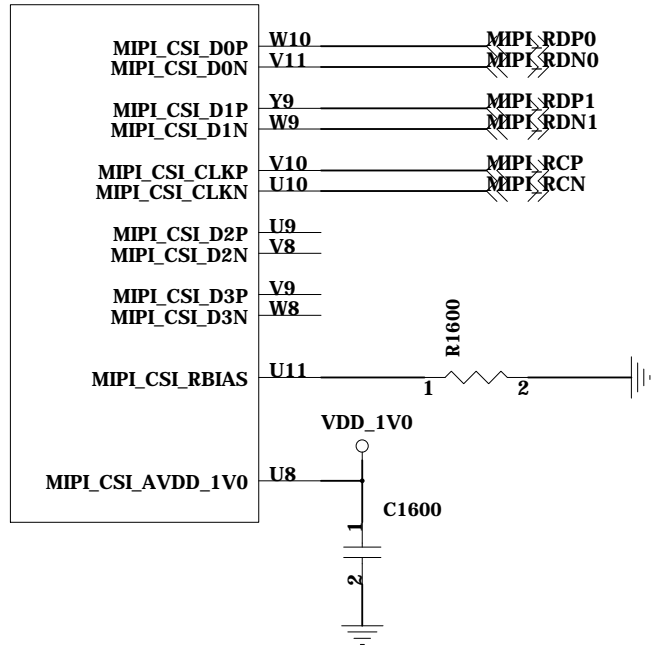


<b>Project:</b>			
<b>File:</b>			
Date:	Tuesday, January 02, 2018	Rev:	V0.1
Designed by:	Linus	Sheet:	11 of 99

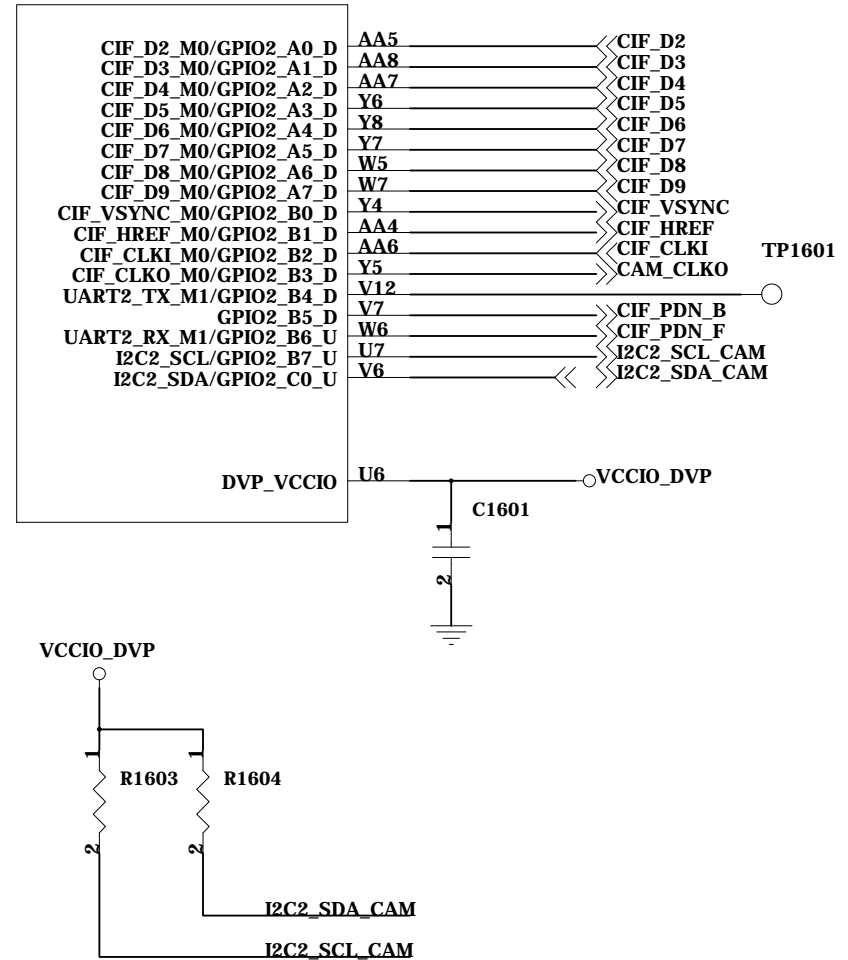
# RK3326 Part- D

# RK3326 Part- B

U1000- D



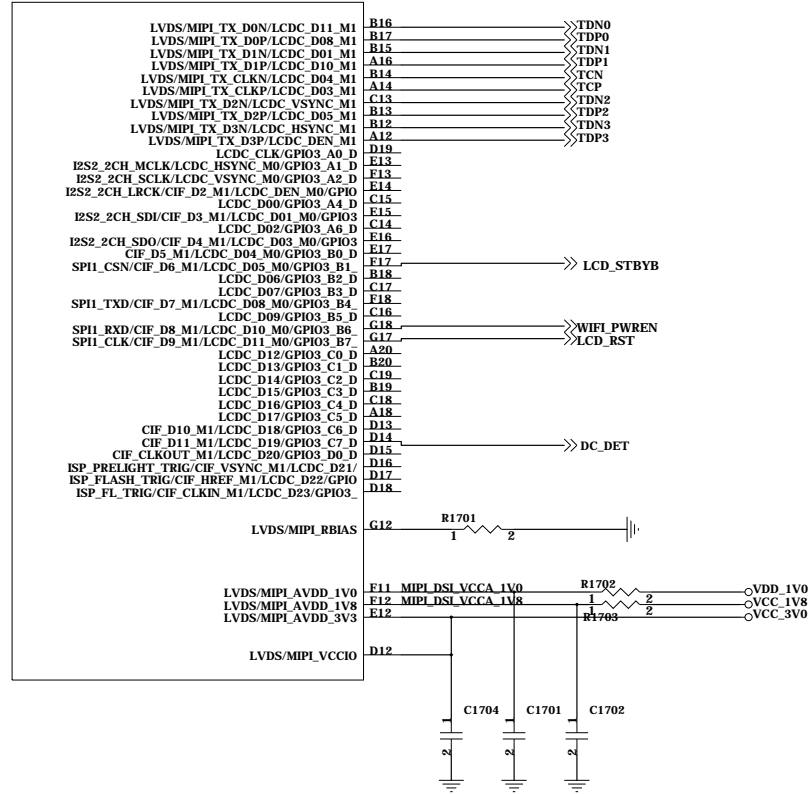
U1000- B



<b>Project:</b>			
<b>File:</b>			
<b>Date:</b>	Tuesday, January 02, 2018	<b>Rev:</b>	V0.1
<b>Designed by:</b>	Linus	<b>Sheet:</b>	11 of 99

# RK3326 Part- F

U1000- M

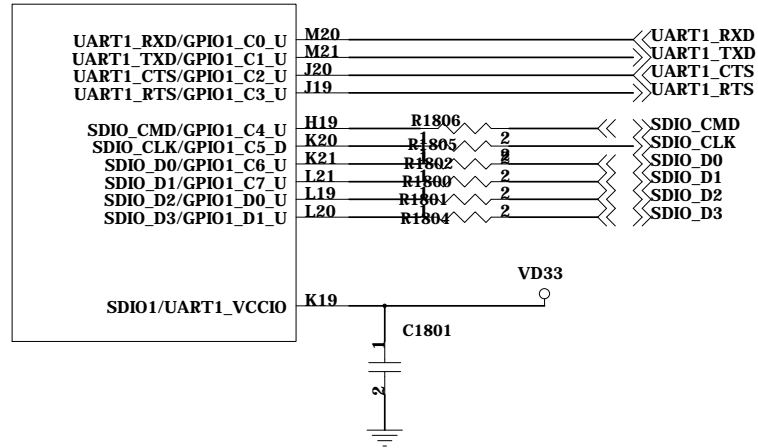


Project:			
File:			
Date:	Tuesday, January 02, 2018	Rev:	V0.1
Designed by:	Linus	Sheet:	11 of 99



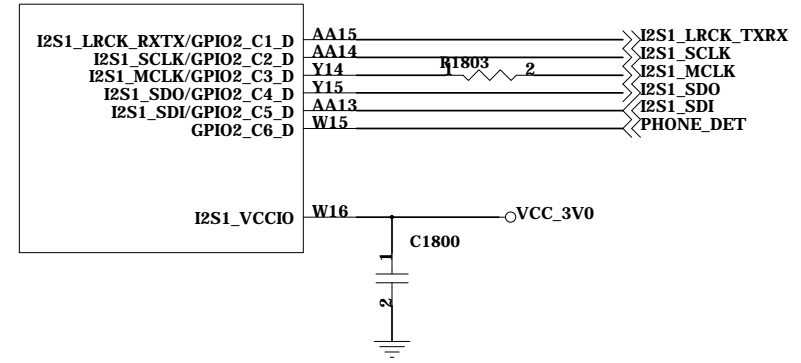
# RK3326 Part- K

U1000- K



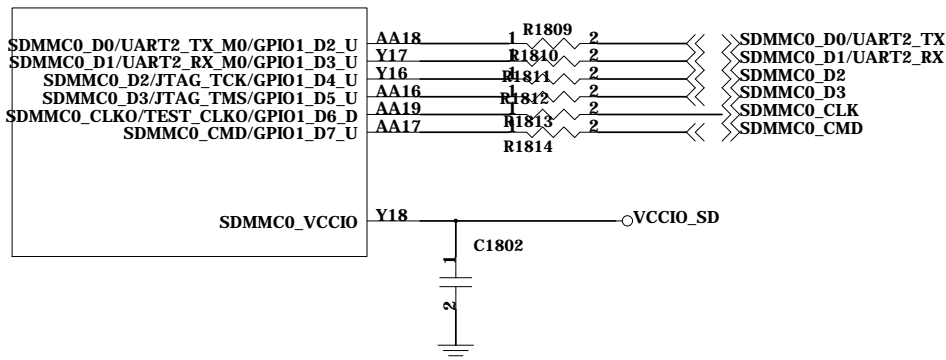
# RK3326 Part- G

U1000- G



# RK3326 Part- H

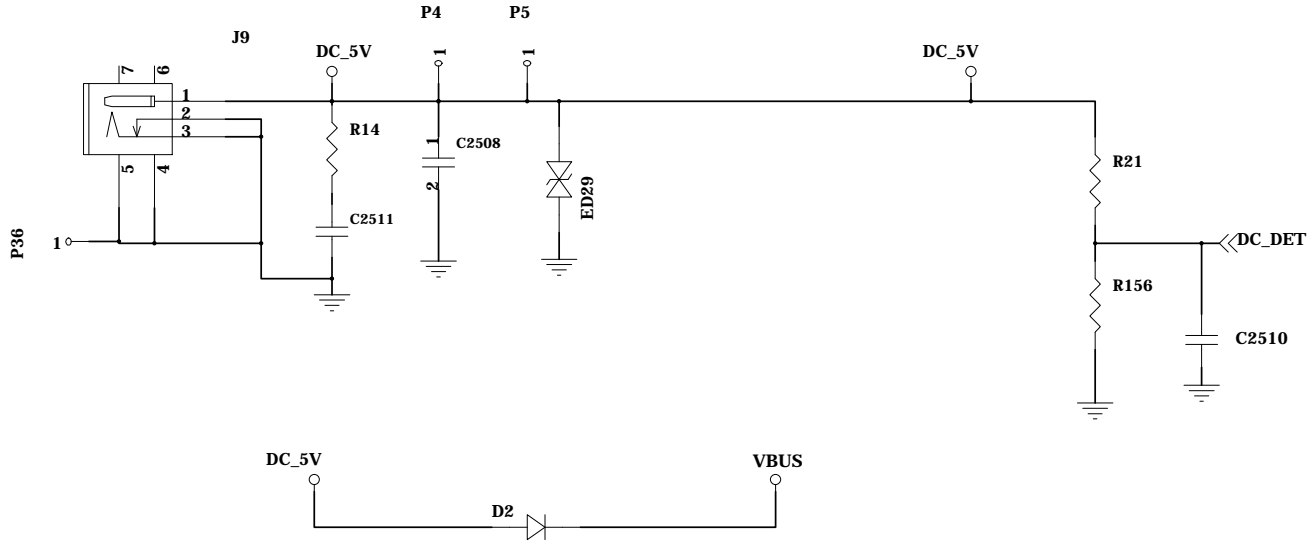
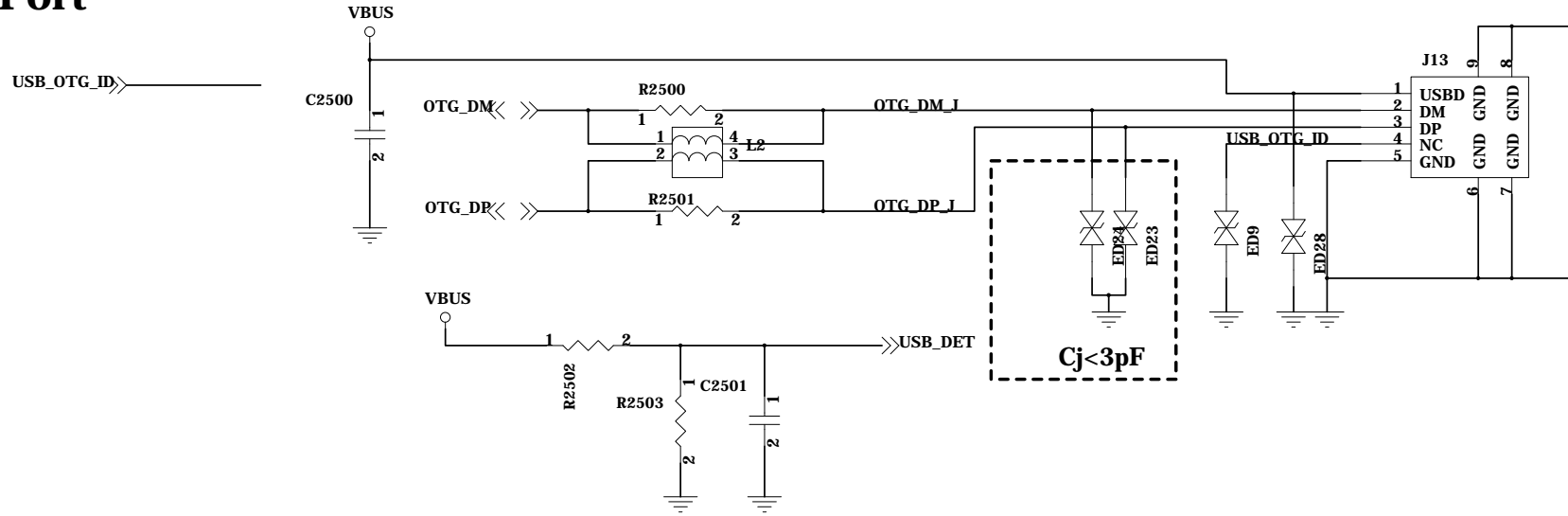
U1000- H



Project:			
File:			
Date:	Tuesday, January 02, 2018	Rev:	V0.1
Designed by:	Linus	Sheet:	11 of 99



# USB Port

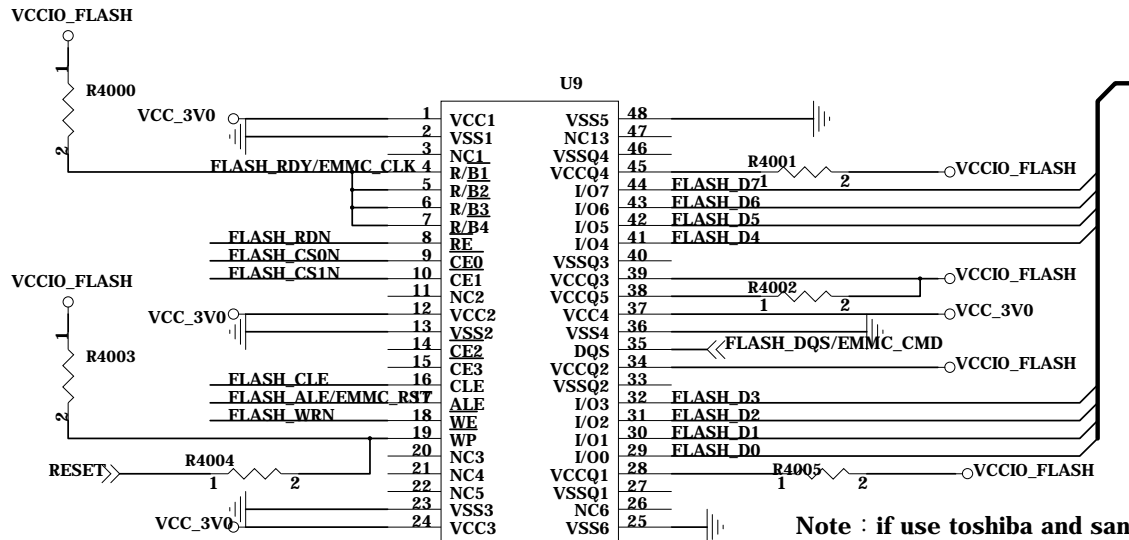
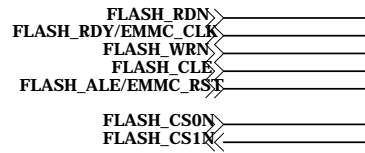


<b>Project:</b>			
<b>File:</b>			
Date:	Tuesday, January 02, 2018	Rev:	V0.1
Designed by:	Linus	Sheet:	11 of 99

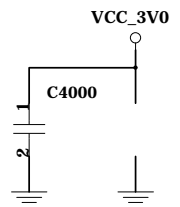


# Nand Flash

Remind: Refer to the latest AVL for parts selection.



Note : if use toshiba and sandisk DDR mode, VCCQ1 and VCCQ4 must be connected to VCC\_IO.

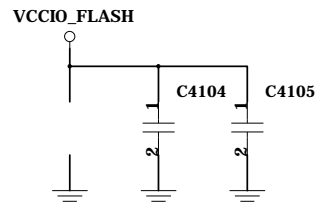
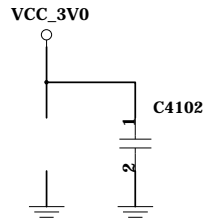
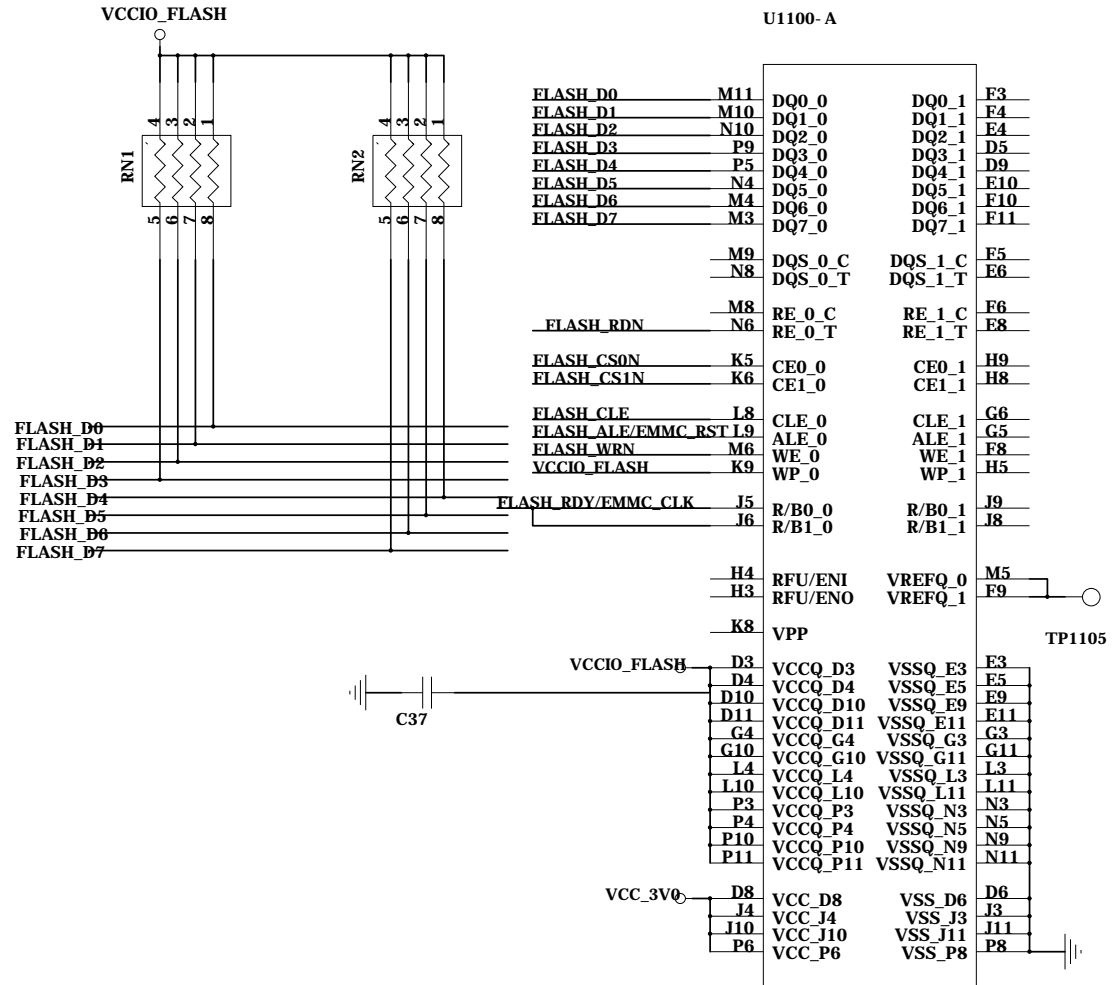
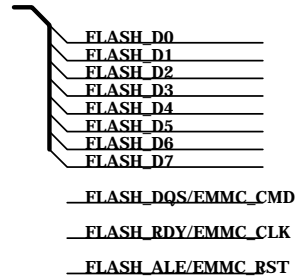
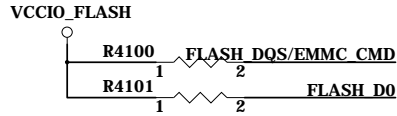


Project:			
File:			
Date:	Tuesday, January 02, 2018	Rev:	V0.1
Designed by:	Linus	Sheet:	11 of 99

# eMMC Flash

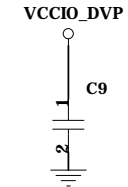
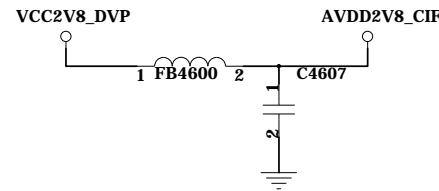
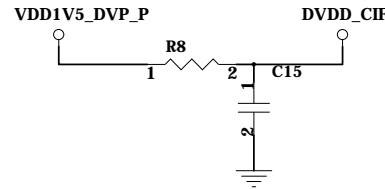
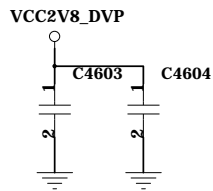
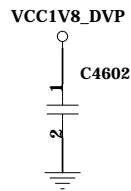
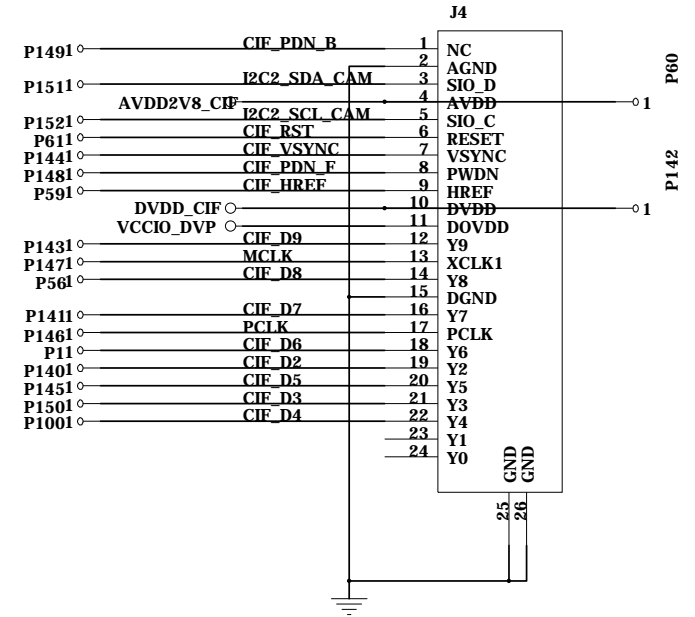
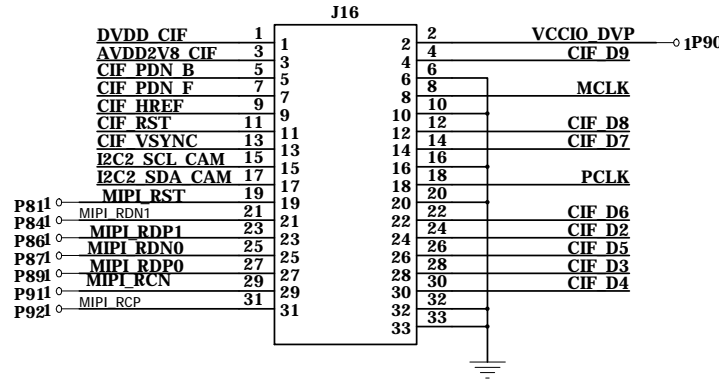
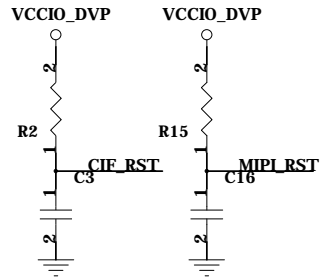
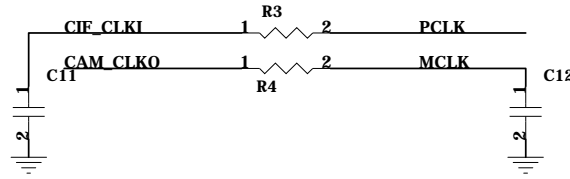
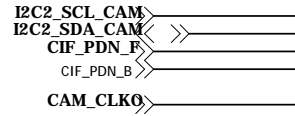
Remind: Refer to the latest AVL for parts selection.

FLASH\_RDY/EMMC\_CLK  
FLASH\_ALE/EMMC\_RST



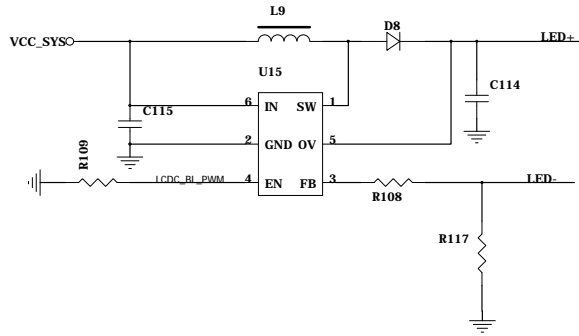
<b>Project:</b>			
<b>File:</b>			
Date:	Tuesday, January 02, 2018	Rev:	V0.1
Designed by:	Linus	Sheet:	11 of 99

# MIPI Camera

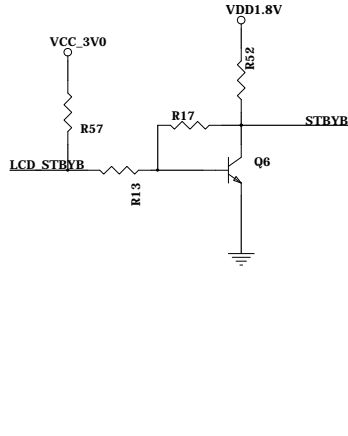


Project:			
File:			
Date:	Tuesday, January 02, 2018	Rev:	V0.1
Designed by:	Linus	Sheet:	11 of 99

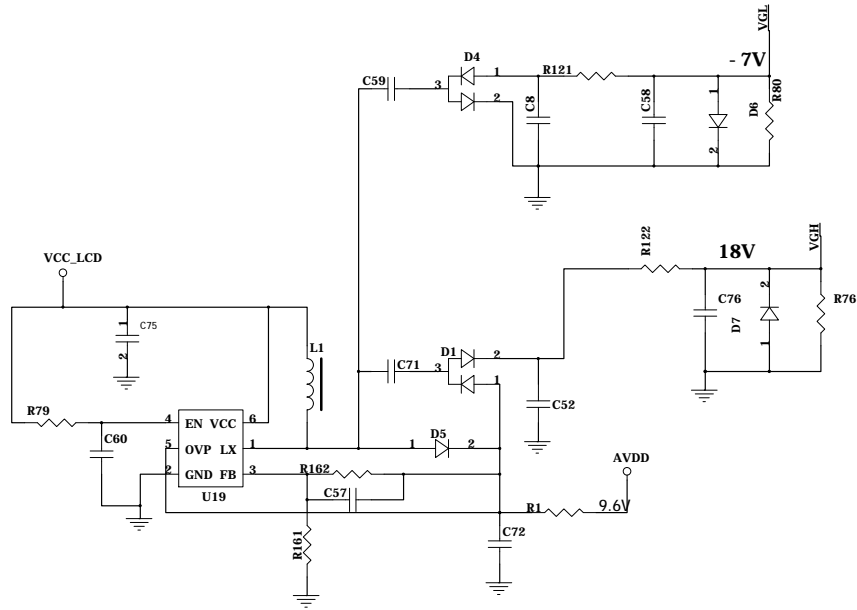
E



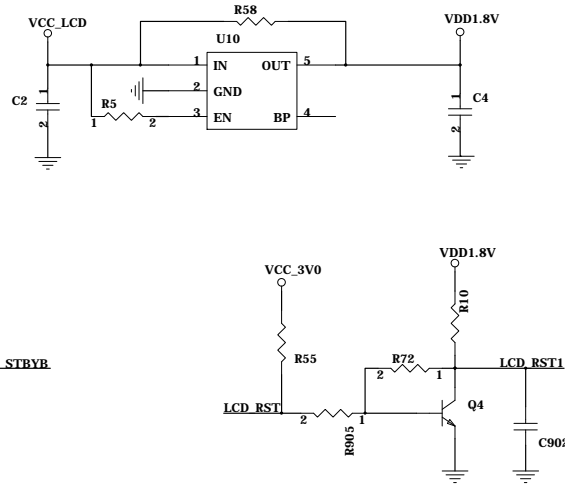
D



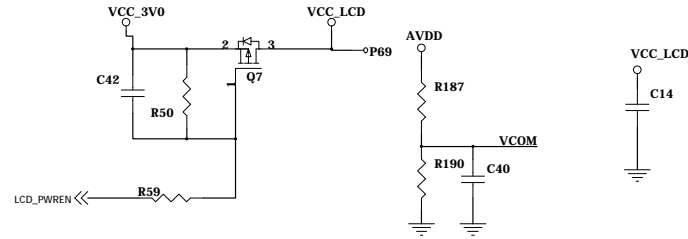
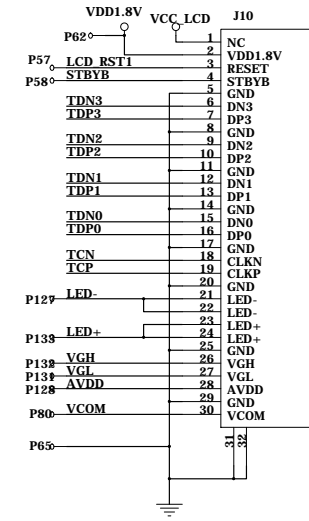
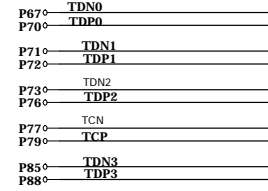
C



B



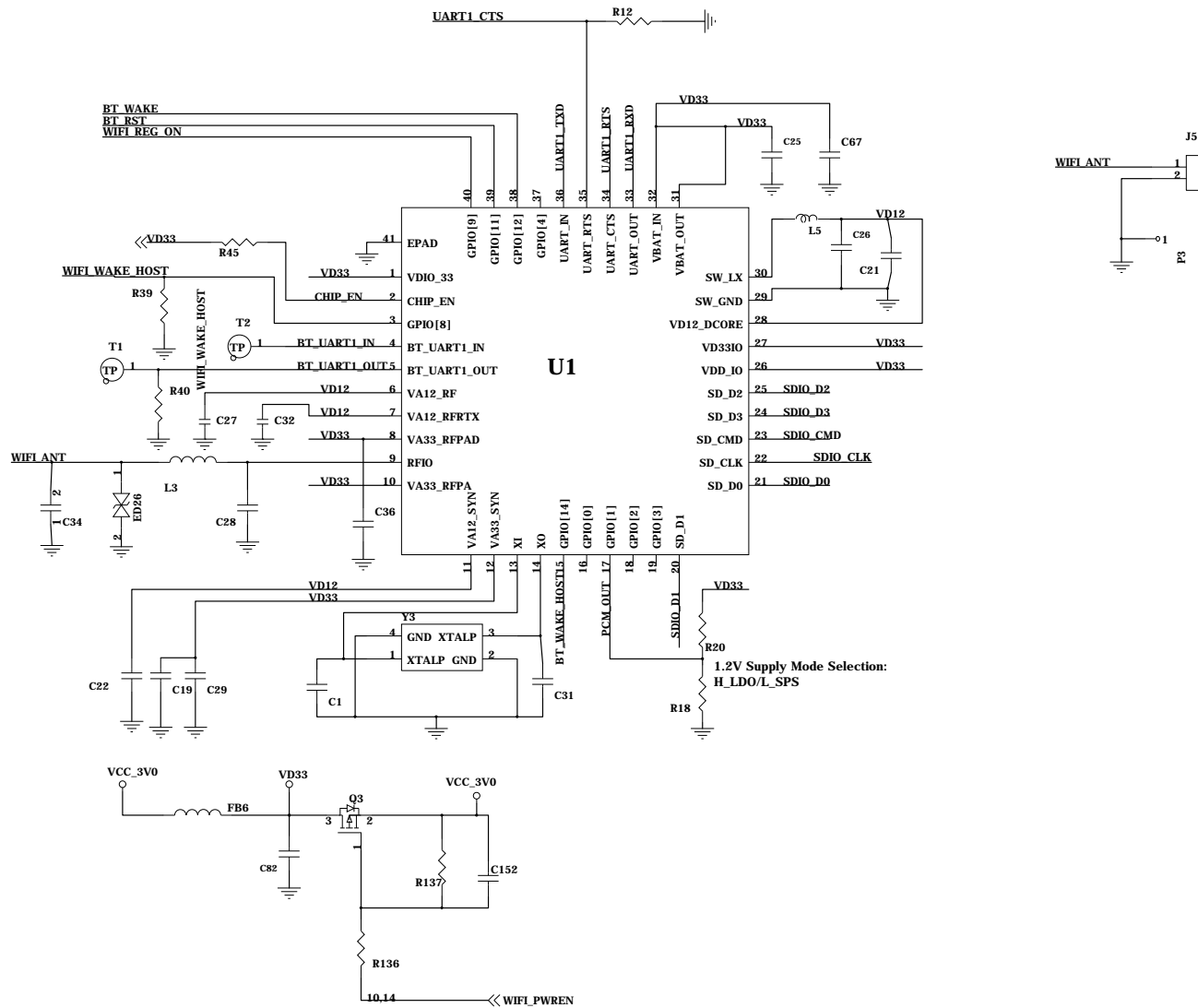
A



<b>Project:</b>			
<b>File:</b>			
<b>Date:</b>	Tuesday, January 02, 2018	<b>Rev:</b>	V0.1
<b>Designed by:</b>	Linus	<b>Sheet:</b>	11 of 99

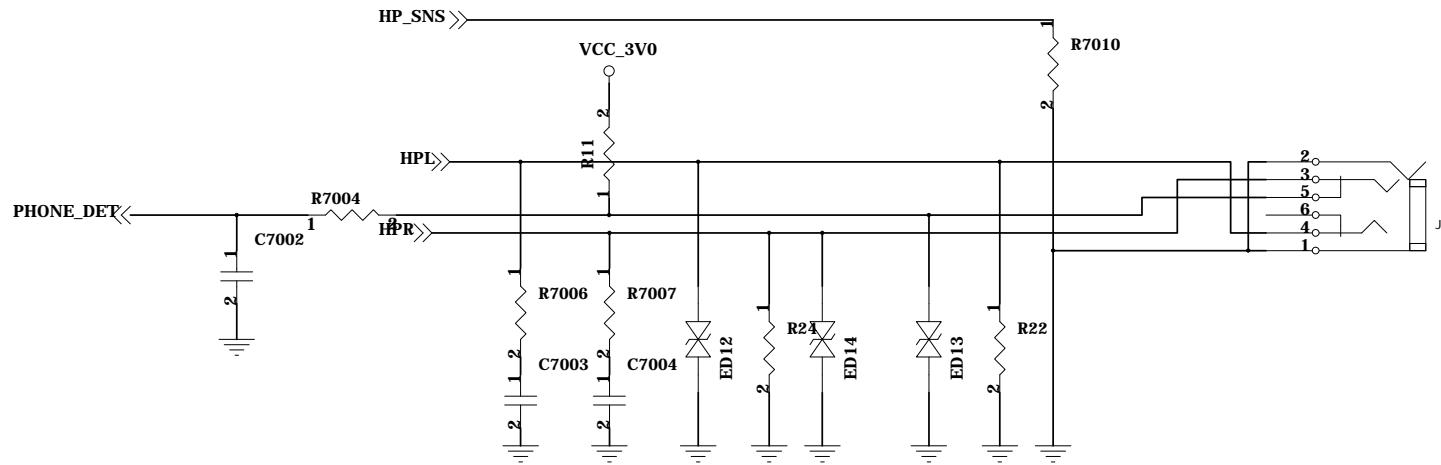


# WIFI/BT Module

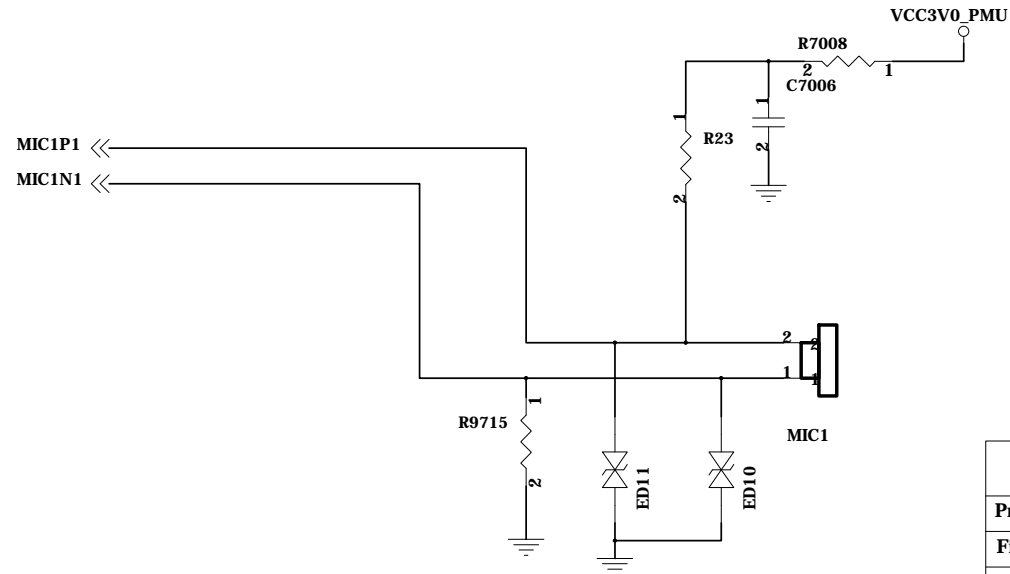


<b>Project:</b>			
<b>File:</b>			
Date:	Tuesday, January 02, 2018	Rev:	V0.1
Designed by:	Linus	Sheet:	11 of 99

# Headphone

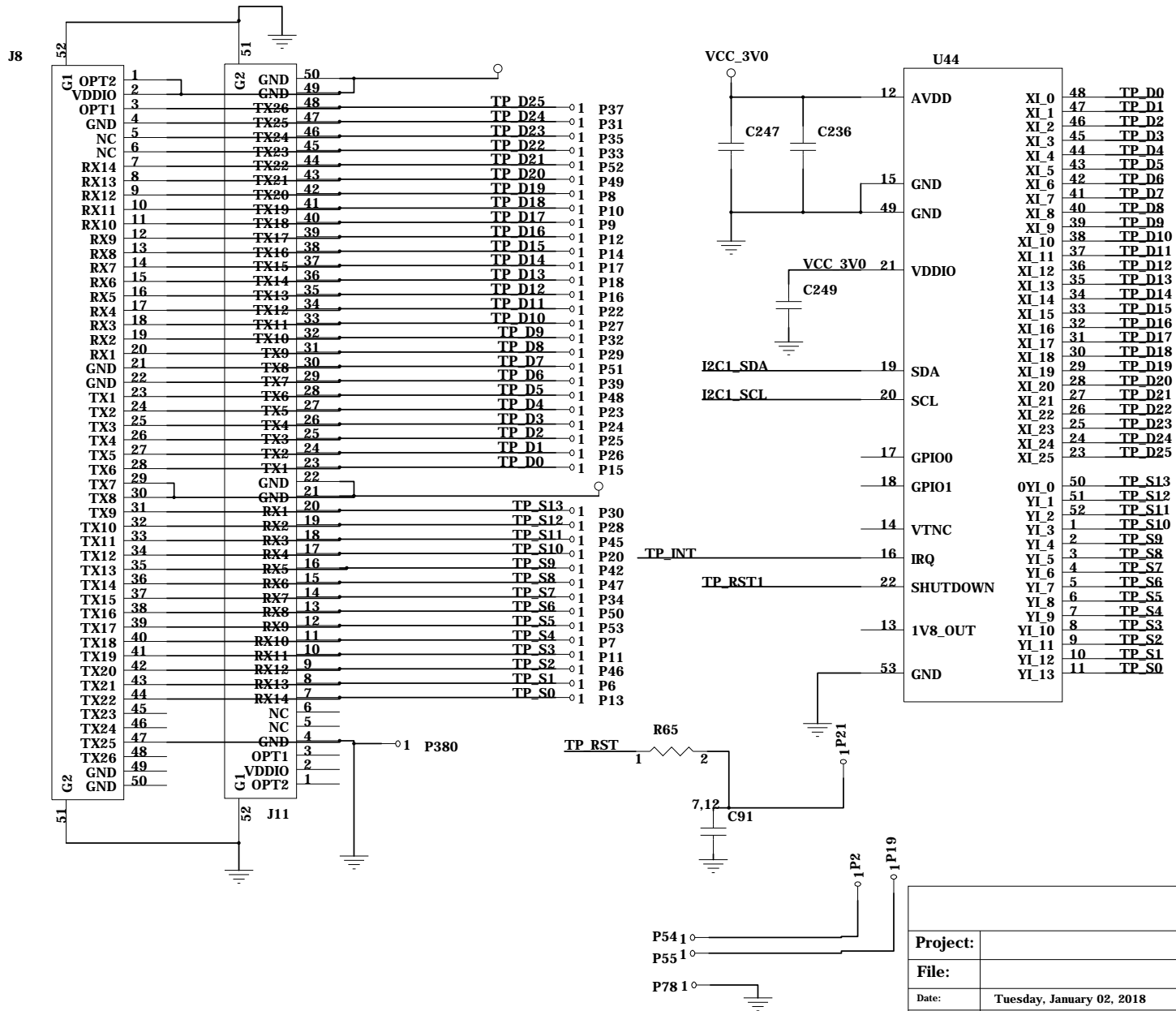


# Microphone



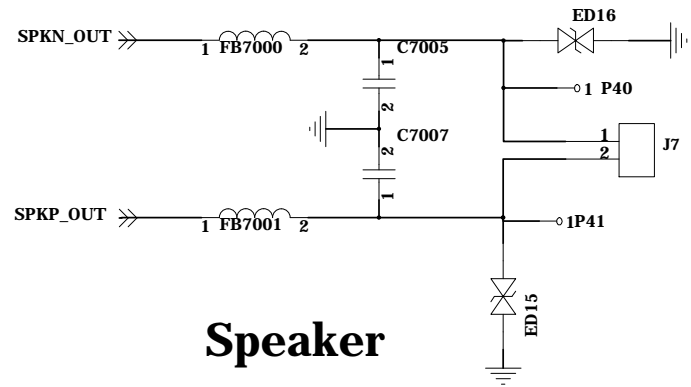
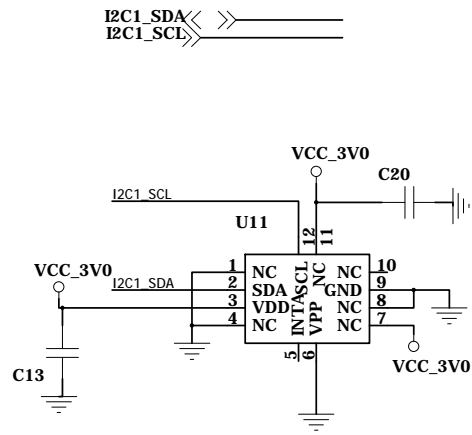
<b>Project:</b>			
<b>File:</b>			
<b>Date:</b>	Tuesday, January 02, 2018	<b>Rev:</b>	V0.1
<b>Designed by:</b>	Linus	<b>Sheet:</b>	11 of 99

TP\_INT  
I2C1\_SDA  
I2C1\_SCL  
TP\_RST



Project:			
File:			
Date:	Tuesday, January 02, 2018	Rev:	V0.1
Designed by:	Linus	Sheet:	11 of 99

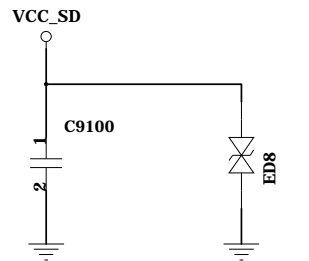
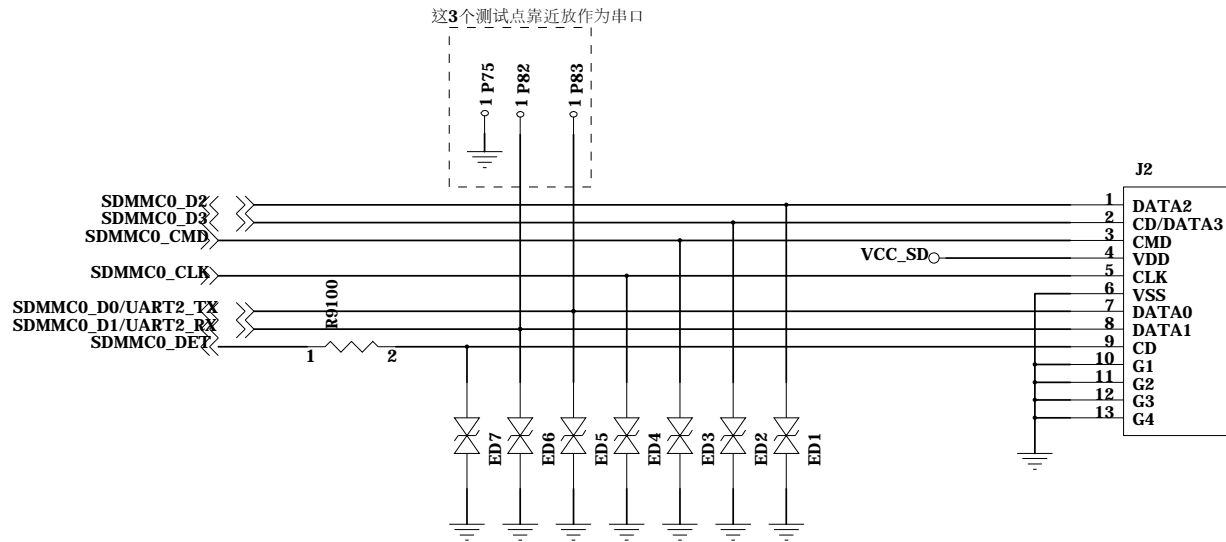
# G- sensor



Speaker

<b>Project:</b>			
<b>File:</b>			
Date:	Tuesday, January 02, 2018	Rev:	V0.1
Designed by:	Linus	Sheet:	11 of 99

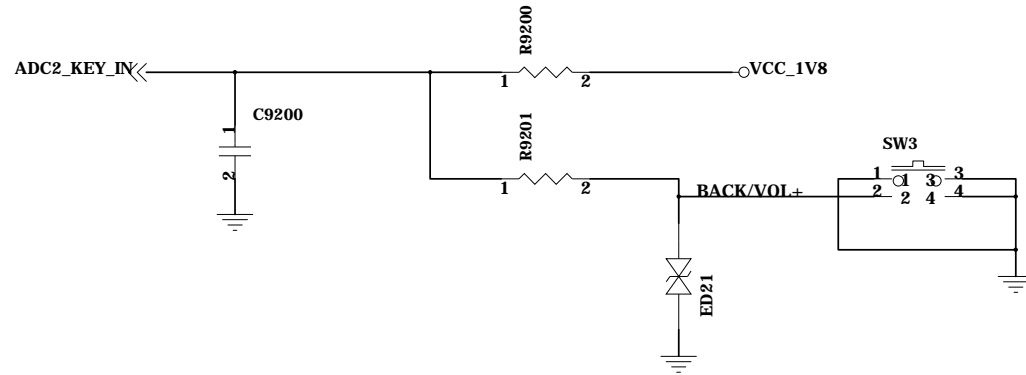
# TF Card



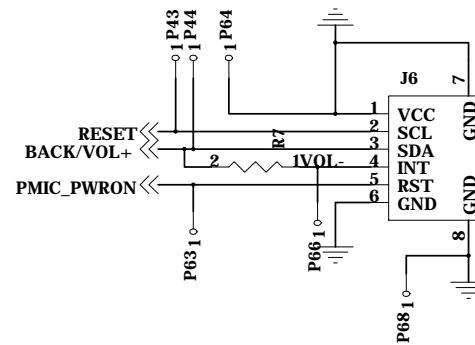
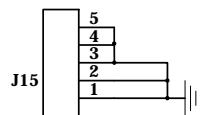
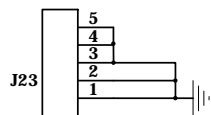
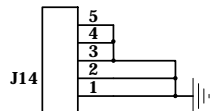
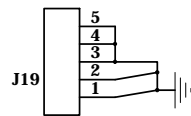
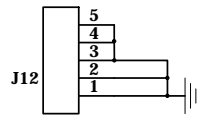
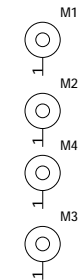
Close to TF Connector

Project:			
File:			
Date:	Tuesday, January 02, 2018	Rev:	V0.1
Designed by:	Linus	Sheet:	11 of 99

# KEY BAORD



Key Name	SARADC
VOL+/RECOVERY	10
VOL-	170



Project:			
File:			
Date:	Tuesday, January 02, 2018	Rev:	V0.1
Designed by:	Linus	Sheet:	11 of 99