

▲ SEB

EN



MICRO WAVE OVEN SEB-M020L

www.groupeseb.com

WARNINGS 18

IMPORTANT SAFETY INSTRUCTIONS 20

COOKING UTENSILS 20

APPLIANCE DESCRIPTION 22

MICROWAVE OVEN INSTALLATION..... 23

CONTROL PANEL 24

CLEANING..... 25

SPECIFICATIONS 25

TROUBLE SHOOTING 26

CORRECT DISPOSAL OF THIS PRODUCT 26

IMPORTANT SAFETY INSTRUCTIONS

READ CAREFULLY AND KEEP FOR FUTURE REFERENCE


WARNINGS

WARNING

To reduce the risk of fire, electric shock, injury to persons or exposure to excessive microwave oven energy when using your appliance, follow basic precautions, including the following:

1. Do not use harsh abrasive cleaners or sharp metal scrapers to clean the oven door glass since they can scratch the surface which may result in shattering of the glass.
2. Keep a minimum free space 30 cm above the top surface of the oven.
3. The instructions shall state that appliances are not intended to be operated by means of an external timer or separate remote-control system.
4. Group 2, Class B equipment This equipment is Group 2 equipment as it intentionally generates radio - frequency energy for treating material and is designed to be used in domestic premises or an establishment directly connected to the low voltage electricity distribution network supplying buildings used for domestic purposes (Class B).
5. Read and follow the specific: "PRECAUTIONS TO AVOID POSSIBLE EXPOSURE TO EXCESSIVE MICROWAVE ENERGY".
6. This appliance can be used by children aged from 8 years and above and persons with reduced physical, sensory or mental capabilities or lack of experience and knowledge if they have been given supervision or instruction concerning use of the appliance in a safe way and understand the hazards involved. Children shall not play with the appliance. Cleaning and user maintenance shall not be made by children unless they are older than 8 and supervised.
Keep the appliance and its cord out of reach of children less than 8 years.
7. Keep the appliance and its cord out of reach of children less than 8 years.
8. If the supply cord is damaged, it must be replaced by the manufacturer, its service agent or similarly qualified persons in order to avoid a hazard. (For appliance with type Y attachment)
9. WARNING: Ensure that the appliance is switched off before replacing the lamp to avoid the possibility of electric shock.
10. WARNING: It is hazardous for anyone other than a competent person to carry out any service or repair operation that involves the removal of a cover which gives protection against exposure to microwave energy.
11. WARNING: Liquids and other foods must not be heated in sealed containers since they are liable to explode.
12. When heating food in plastic or paper containers, keep an eye on the oven due to the possibility of ignition.
13. Only use utensils that are suitable for use in microwave ovens.
14. If smoke is emitted, switch off or unplug the appliance and keep the door closed in

order to stifle any flames.

15. Microwave heating of beverages can result in delayed eruptive boiling, therefore care must be taken when handling the container.
16. The contents of feeding bottles and baby food jars shall be stirred or shaken and the temperature checked before consumption, in order to avoid burns.
17. Eggs in their shell and whole hard-boiled eggs should not be heated in microwave ovens since they may explode, even after microwave heating has ended.
18. The oven should be cleaned regularly and any food deposits removed.
19. Failure to maintain the oven in a clean condition could lead to deterioration of the surface that could adversely affect the life of the appliance and possibly result in a hazardous situation.
20. The appliance must not be installed behind a decorative door in order to avoid overheating. (This is not applicable for appliances with decorative door.)
21. Only use the temperature probe recommended for this oven. (for ovens provided with a facility to use a temperature-sensing probe.)
22. The microwave oven shall not be placed in a cabinet.
23. The microwave oven must be operated with the decorative door open. (for ovens with a decorative door.)
24. This appliance is intended to be used in household and similar applications such as:
 - staff kitchen areas in shops, offices and other working environments;
 - by clients in hotels, motels and other residential type environments;
 - farm houses;
 - bed and breakfast type environments.
25. The microwave oven is intended for heating food and beverages. Drying of food or clothing and heating of warming pads, slippers, sponges, damp cloth and similar may lead to risk of injury, ignition or fire.
26. Metallic containers for food and beverages are not allowed during microwave cooking.
27. The appliance shall not be cleaned with a steam cleaner.
28. The appliance is intended to be used freestanding.
29. The rear surface of appliances shall be placed against a wall.
30. The appliances are not intended to be operated by means of an external timer or separate remote-control system.
31.  The surfaces are liable to get hot during use.
32. (a) Do not attempt to operate this oven with the door open since this can result in harmful exposure to microwave energy. It is important not to break or tamper with the safety interlocks.
(b) Do not place any object between the oven front face and the door or allow soil or cleaner residue to accumulate on sealing surfaces.

(c) **WARNING:** If the door or door seals are damaged, the oven must not be operated until it has been repaired by a competent person.

If the apparatus is not maintained in a good state of cleanliness, its surface could be degraded and affect the lifespan of the apparatus and lead to a dangerous situation.

33. The door or the outer surface may get hot when the appliance is operating.

IMPORTANT SAFETY INSTRUCTIONS

DANGER

Electric Shock Hazard Touching some of the internal components can cause serious personal injury or death. Do not disassemble this appliance.

WARNING

Electric Shock Hazard Improper use of the grounding can result in electric shock. Do not plug into an outlet until appliance is properly installed and grounded. This appliance must be grounded. In the event of an electrical short circuit, grounding reduces the risk of electric shock by providing an escape wire for the electric current. This appliance is equipped with a cord having a grounding wire with a grounding plug. The plug must be plugged into an outlet that is properly installed and grounded. Consult a qualified electrician or serviceman if the grounding instructions are not completely understood or if doubt exists as to whether the appliance is properly grounded.

If it is necessary to use an extension cord, use only a 3-wire extension cord.

1. A short power-supply cord is provided to reduce the risks resulting from becoming entangled in or tripping over a longer cord.
2. If a long cord set or extension cord is used:
 - 1) The marked electrical rating of the cord set or extension cord should be at least as great as the electrical rating of the appliance.
 - 2) The extension cord must be a grounding-type 3-wire cord.
 - 3) The long cord should be arranged so that it will not drape over the counter top or tabletop where it can be pulled on by children or tripped over unintentionally.

COOKING UTENSILS

CAUTION

Personal Injury Hazard

It is hazardous for anyone other than a competent person to carry out any service or repair operation that involves the removal of a cover which gives protection against

exposure to microwave energy.

See the instructions on "Materials you can use in microwave oven or to be avoided in microwave oven." There may be certain non-metallic utensils that are not safe to use for microwaving. If in doubt, you can test the utensil in question following the procedure below.

Utensil Test:

1. Fill a microwave-safe container with 1 cup of cold water (250ml) along with the utensil in question.
2. Cook on maximum power for 1 minute.
3. Carefully feel the utensil. If the empty utensil is warm, do not use it for microwave cooking.
4. Do not exceed 1 minute cooking time.

Materials you can use in microwave oven

Utensils	Remarks
Browning dish	Follow manufacturer's instructions. The bottom of browning dish must be at least 3/16 inch (5mm) above the turntable. Incorrect usage may cause the turntable to break.
Dinnerware	Microwave-safe only. Follow manufacturer's instructions. Do not use cracked or chipped dishes.
Glass jars	Always remove lid. Use only to heat food until just warm. Most glass jars are not heat resistant and may break.
Glassware	Heat-resistant oven glassware only. Make sure there is no metallic trim. Do not use cracked or chipped dishes.
Oven cooking bags	Follow manufacturer's instructions. Do not close with metal tie. Make slits to allow steam to escape.
Paper plates and cups	Use for short-term cooking/warming only. Do not leave oven unattended while cooking.
Paper towels	Use to cover food for reheating and absorbing fat. Use with supervision for a short-term cooking only.
Parchment paper	Use as a cover to prevent splattering or a wrap for steaming.
Plastic	Microwave-safe only. Follow the manufacturer's instructions. Should be labeled "Microwave Safe". Some plastic containers soften, as the food inside gets hot. "Boiling bags" and tightly closed plastic bags should be slit, pierced or vented as directed by package.
Plastic wrap	Microwave-safe only. Use to cover food during cooking to retain moisture. Do not allow plastic wrap to touch food.
Thermometers	Microwave-safe only (meat and candy thermometers).
Wax paper	Use as a cover to prevent splattering and retain moisture.

Materials to be avoided in microwave oven

Utensils	Remarks
Aluminum tray	May cause arcing. Transfer food into microwave-safe dish.
Food carton with metal handle	May cause arcing. Transfer food into microwave-safe dish.
Metal or metal-trimmed utensils	Metal shields the food from microwave energy. Metal trim may cause arcing.
Metal twist ties	May cause arcing and could cause a fire in the oven.
Paper bags	May cause a fire in the oven.
Plastic foam	Plastic foam may melt or contaminate the liquid inside when exposed to high temperature.
Wood	Wood will dry out when used in the microwave oven and may split or crack.

APPLIANCE DESCRIPTION

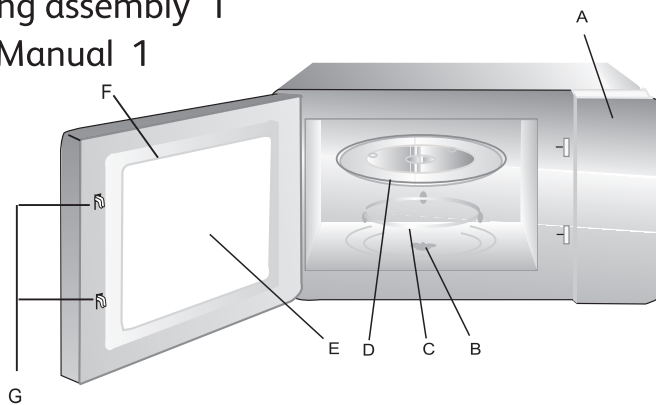
Remove the oven and all materials from the carton and oven cavity.

Your oven comes with the following accessories:

Glass tray 1

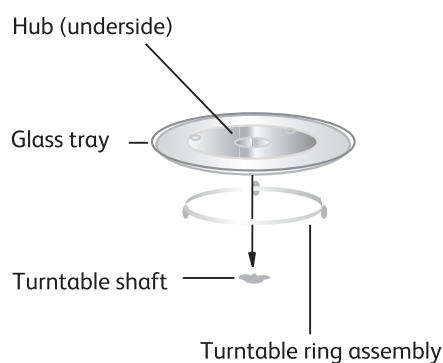
Turntable ring assembly 1

Instruction Manual 1



- A) Control panel
- B) Turntable shaft
- C) Turntable ring assembly
- D) Glass tray
- E) Observation window
- F) Door assembly
- G) Safety interlock system

Turntable Installation



- a. Never place the glass tray upside down. The glass tray should never be restricted.
- b. Both glass tray and turntable ring assembly must always be used during cooking.
- c. All food and containers of food are always placed on the glass tray for cooking.
- d. If glass tray or turntable ring assembly cracks or breaks, contact your nearest authorized service center.

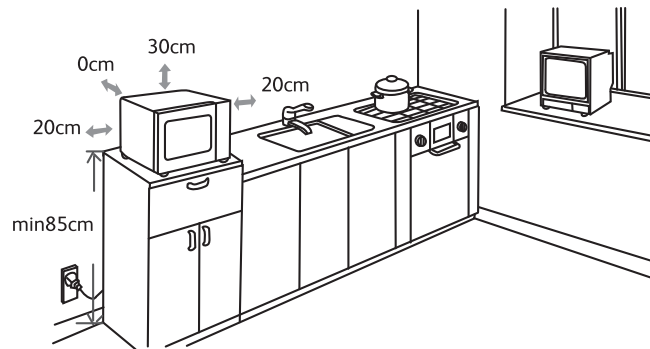
Preparation

Remove all packing material and accessories. Examine the oven for any damage such as dents or broken door. Do not install if oven is damaged.

Cabinet: Remove any protective film found on the microwave oven cabinet surface. Do not remove the light brown Mica cover that is attached to the oven cavity to protect the magnetron.

Position

1. Select a level surface that provide enough open space for the intake and/or outlet vents.



(1) The minimum installation height is 85cm.

(2) The rear surface of appliance shall be placed against a wall.

Leave a minimum clearance of 30cm above the oven, a minimum clearance of 20cm is required between the oven and any adjacent walls.

(3) Do not remove the legs from the bottom of the oven.

(4) Blocking the intake and / or outlet openings can damage the oven.

(5) Place the oven as far away from radios and TV as possible. Operation of microwave oven may cause interference to your radio or TV reception.

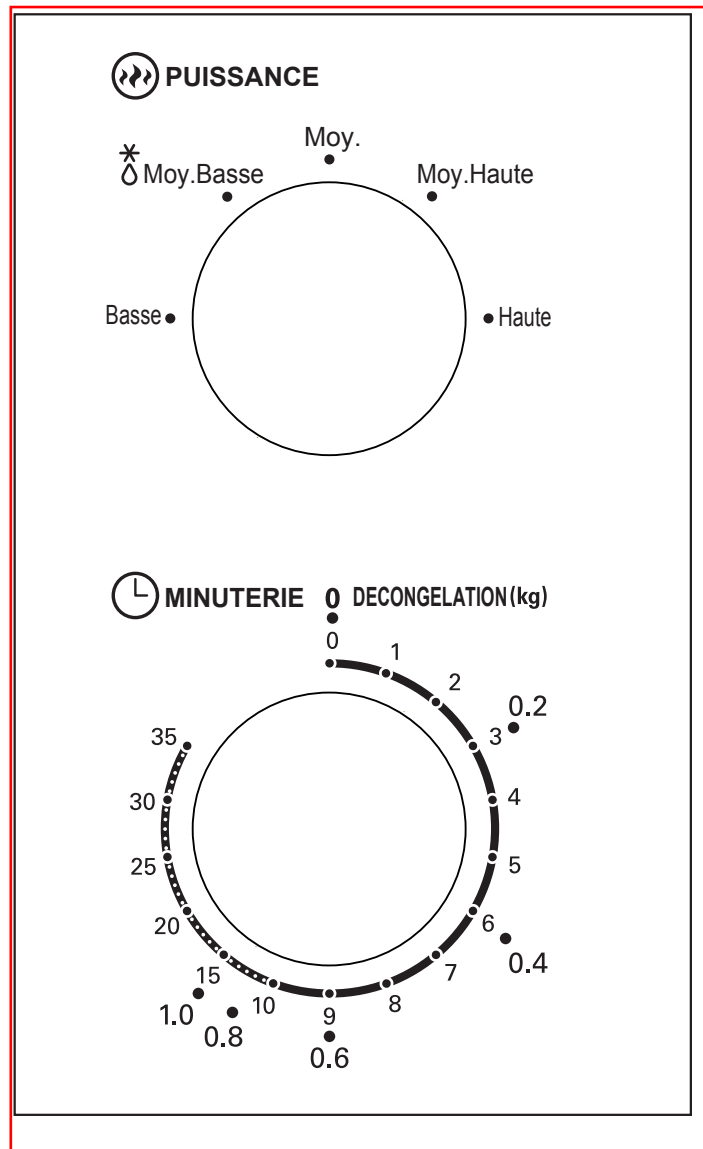
2. Plug your oven into a standard household outlet. Be sure the voltage and the frequency is the same as the voltage and the frequency on the rating label.

WARNING: Do not install oven over a range cooktop or other heat-producing appliance. If installed near or over a heat source, the oven could be damaged and the warranty would be void.

The accessible surface may be hot during operation.



CONTROL PANEL



1. To set cooking power by turning the power knob to desired level.
2. To set the time of cooking by turning the timer knob to desired time per your food cooking guide.
3. The microwave oven will automatically start cooking after power level and time are set.
4. After the cooking time is up, the unit will “Dong” to stop.
5. If the unit is not in use, always set time to “0”.

Function/Power	Output	Application
Low	17 % micro.	Soften ice cream
Med. Low (Defrost)	33 % micro.	Soup stew, soften butter or defrost
Med.	55 % micro.	Stew, fish
Med. High	77 % micro.	Rice, fish, chicken, ground meat
High	100 % micro	Reheat, milk, boil water, vegetables, beverage

Notice: When removing food from the oven, please ensure that the oven power is switched off by turning the clock switch to 0 (zero). Failure to do so, and operating the microwave oven without food in it, can result in overheating and damage to the magnetron.

CLEANING

Be sure to unplug the appliance from the power supply.

1. Clean the cavity of the oven after using with a slightly damp cloth.
2. Clean the accessories in the usual way in soapy water.
3. The door frame and seal and neighbouring parts must be cleaned carefully with a damp cloth when they are dirty.
4. Do not use harsh abrasive cleaners or sharp metal scrapers to clean the oven door glass since they can scratch the surface, which may result in shattering of the glass.
5. Cleaning Tip---For easier cleaning of the cavity walls that the food cooked can touch: Place half a lemon in a bowl, add 300ml (1/2 pint) water and heat on 100 % microwave power for 10 minutes. Wipe the oven clean using a soft, dry cloth.

SPECIFICATIONS

Model:	SEB-MO20L
Rated Voltage:	230 V~ 50 Hz
Rated Input Power(Microwave):	1050 W
Rated Output Power(Microwave):	700 W
Oven Capacity:	20 L
Turntable Diameter:	255 mm
External Dimensions:	439,5x358x258,2 mm
Net Weight:	Approx. 9,8 kg

TROUBLE SHOOTING

Normal	
Microwave oven interfering TV reception	Radio and TV reception may be interfered when microwave oven operating. It is similar to the interference of small electrical appliances, like mixer, vacuum cleanerm and electric fan. It is normal.
Dim oven light	In low power microwave cooking, oven light may become dim. It is normal.
Steam accumulating on door, hot air out of vents	In cooking, steam may come out of food. Most will get out from vents. But some may accumulate on cool place like oven door. It is normal.
Oven started accidentally with no food in.	It is forbidden to run the unit without any food inside. It is very dangerous.

Trouble	Possible Cause	Remedy
Oven can not be started.	(1) Power cord not plugged in tightly.	Unplug. Then plug again after 10 seconds.
	(2) Fuse blowing or circuit breaker works.	Replace fuse or reset circuit breaker (repaired by professional personnel of our company)
	(3) Trouble with outlet.	Test outlet with other electrical appliances.
Oven does not heat.	(4) Door not clised well.	Close door well.

CORRECT DISPOSAL OF THIS PRODUCT



According to Waste of Electrical and Electronic Equipment (WEEE) directive, WEEE should be separately collected and treated. If at any time in future you need to dispose of this product please do NOT dispose of this product with household waste. Please send this product to WEEE collecting points where available.

🌐 : www.seb.fr / www.seb.be

This product is repairable by SEB*, during and after the guarantee period.

Accessories, consumables and end-user replaceable parts can be purchased, if locally available, as described on the SEB internet site www.seb.com

The Guarantee:**

SEB guarantees this product against any manufacturing defect in materials or workmanship during the guarantee period within those countries*** as stated in the attached country list, starting from the initial date of purchase or delivery date. The international manufacturer's guarantee covers all costs related to restoring the proven defective product so that it conforms to its original specifications, through the repair or replacement of any defective part and the necessary labour. At SEB's choice, an equivalent or superior replacement product may be provided instead of repairing a defective product. SEB's sole obligation and your exclusive resolution under this guarantee are limited to such repair or replacement.

Conditions & Exclusions:

SEB shall not be obliged to repair or replace any product which is not accompanied by a valid proof of purchase. The product can be taken directly in person or must be adequately packaged and returned, by recorded delivery (or equivalent method of postage), to a SEB authorised service centre. Full address details for each country's authorised service centres are listed on SEB website (www.SEb.com) or by calling the appropriate consumer service centre set out in the attached country list. In order to offer the best possible after-sales service and constantly improve customer satisfaction, SEB may send a satisfaction survey to all customers who have had their product repaired or exchanged in a SEB authorised service centre.

This guarantee applies only for products purchased and used for domestic purposes and will not cover any damage which occurs as a result of misuse, negligence, failure to follow SEB instructions, or a modification or unauthorised repair of the product, faulty packaging by the owner or mishandling by any carrier. It also does not cover normal wear and tear, maintenance or replacement of consumable parts, or the following:

- damages or poor results specifically due to wrong voltage or frequency as stamped on the product ID or specification
- using the wrong type of water or consumable
- mechanical damages, overloading
- ingress of water, dust or insects into the product (excluding appliances with features specifically designed for insects)
- scaling (any de-scaling must be carried out according to the instructions for use)

- damage as a result of lightning or power surges
- damage to any glass or porcelain ware in the product
- accidents including fire, flood, etc
- professional or commercial use

Consumer Statutory Rights:

This international SEB guarantee does not affect the Statutory Rights a consumer may have or those rights that cannot be excluded or limited, nor rights against the retailer from which the consumer purchased

the product. This guarantee gives a consumer specific legal rights, and the consumer may also have other legal rights which vary from State to State or Country to Country. The consumer may assert any such rights at his sole discretion.

***Where a product purchased in a listed country and then used in another listed country, the international SEB guarantee duration is the period for the country of usage, even if the product was purchased in a listed country with a longer guarantee duration. The repair process may require a longer time if the product is not locally sold by SEB in the country of usage. If the product is not repairable in the new country of usage, the international SEB guarantee is limited to a replacement by a similar or alternative product at similar cost, where possible.

*SEB household appliances appear under the SEB brand in some territories like America and Japan. SEB are registered trademarks of Groupe SEB.

Please keep this document for your reference should you wish to make a claim under the guarantee.

**For Australia only: Our goods come with guarantees that cannot be excluded under the Australian Consumer Law. You are entitled to a replacement or refund for a major failure and compensation for any other reasonably foreseeable loss or damage. You are also entitled to have the goods repaired or replaced if the goods fail to be of acceptable quality and the failure does not amount to a major failure.

**For India Only: Your SEB product is guaranteed for 2 years. The guarantee covers exclusively the repair of a defective product, but at SEB's choice, a replacement product may be provided instead of repairing a defective product. It is mandatory that the consumer, to have his product repaired, has to log a service request on the dedicated Smartphone application SEB SERVICE APP or by calling SEB Consumer Care Center at 1860-200-1232, Opening hours Mon-Sat 09 AM to 06 PM. Products returned by Post will not be covered by the guarantee. As a proof of purchase consumer needs to provide both this stamped guarantee card and cash memo.

LISTE PAYS - GARANTIE INTERNATIONALE SEB
Petit Électroménager

www.seb.fr / www.seb.be
www.accessories.home-and-cook.com

			
FRANCE Continentale + Guadeloupe, Martinique, Réunion, St-Martin	09 74 50 10 21	LIETUVA LITHUANIA	5 214 0057
BELGIQUE BELGIE BELGIUM	070 23 31 59	МАКЕДОНИЈА MACEDONIA	(02) 20 50 319
LUXEMBOURG	0032 70 23 31 59	MEXICO	(01800) 112 8325
ARGENTINA	0800-122-2732	MOLDOVA	(22) 929249
AUSTRALIA	1300307824	NEDERLAND The Netherlands	0318 58 24 24
ÖSTERREICH AUSTRIA	01 890 3476	NEW ZEALAND	0800 700 711
БЕЛАРУСЬ BELARUS	017 2239290	NORGE NORWAY	815 09 567
BOSNA I HERCEGOVINA	Info-linija za potrošače 033 551 220	POLSKA POLAND	801 300 420 koszt jak za połączenie lokalne
BRASIL BRAZIL	11 2915-4400	PORTUGAL	808 284 735
БЪЛГАРИЯ BULGARIA	0700 10 330	REPUBLIC OF IRELAND	01 677 4003
CANADA	1-800-418-3325	ROMANIA	0 21 316 87 84
COLOMBIA	018000520022	РОССИЯ RUSSIA	495 213 32 30
HRVATSKA CROATIA	01 30 15 294	SRBIJA SERBIA	060 0 732 000
ČESKÁ REPUBLIKA CZECH REPUBLIC	731 010 111	SINGAPORE	6550 8900
DANMARK DENMARK	44 663 155	SLOVENSKO SLOVAKIA	232 199 930
EESTI ESTONIA	668 1286	SLOVENIJA SLOVENIA	02 234 94 90
SUOMI FINLAND	9 8946 150	ESPAÑA SPAIN	902 31 24 00
DEUTSCHLAND GERMANY	0212 387 400	SVERIGE SWEDEN	08 629 25 00
ELLADA GREECE	2106371251	SUISSE SCHWEIZ SWITZERLAND	044 837 18 40
香港 HONG KONG	8130 8998	ประเทศไทย THAILAND	02 769 7477
MAGYARORSZÁG HUNGARY	06 1 801 8434	TÜRKIYE TURKEY	444 40 50
ITALIA ITALY	199207354	Україна UKRAINE	044 300 13 04
日本 JAPAN	0570-077772	UNITED KINGDOM	0345 602 1454
한국어 KOREA	080-733-7878	U.S.A.	800-395-8325
LATVJA LATVIA	6 616 3403		

<p>France GROUPE SEB France Service Consommateurs SEB BP15 69131 ECULLY Cedex 09 74 50 10 21</p>	<p>BELGIQUE / BELGIE / LUXEMBOURG GROUPE SEB BELGIUM SA NV 25 avenue de l'Espérance - ZI 6220 Fleurus 070 23 31 59</p>
--	--

 :www.seb.fr / www.seb.be
www.accessories.home-and-cook.com