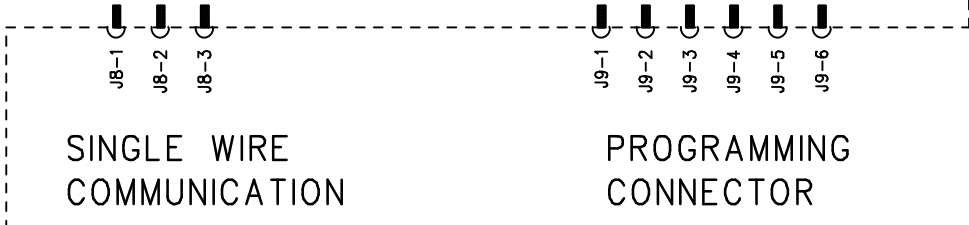
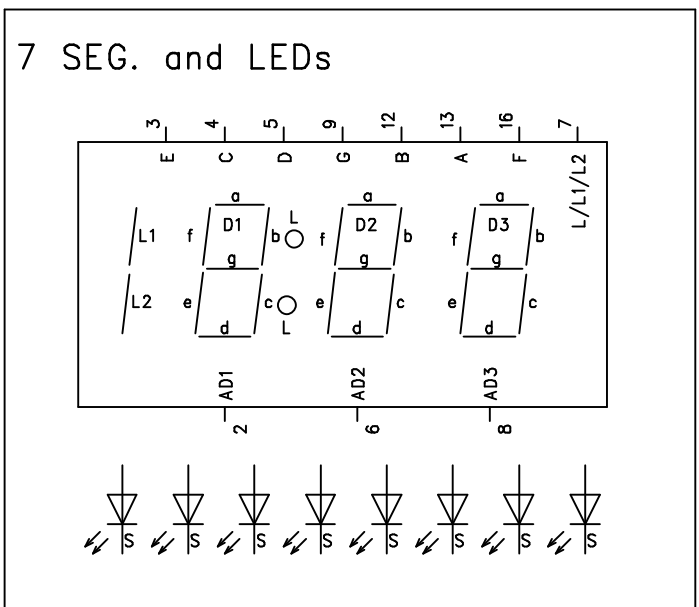
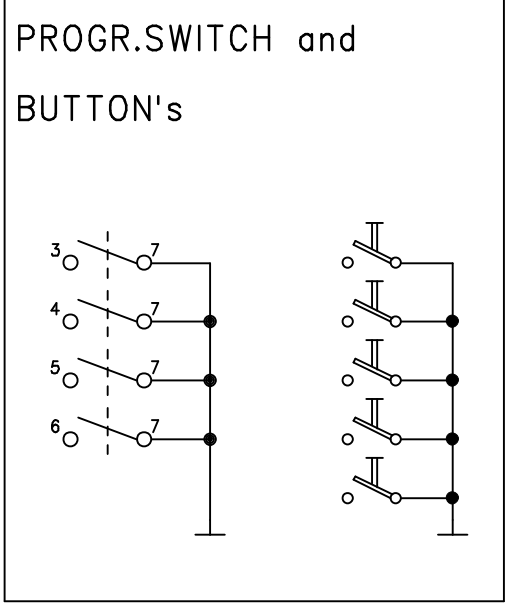
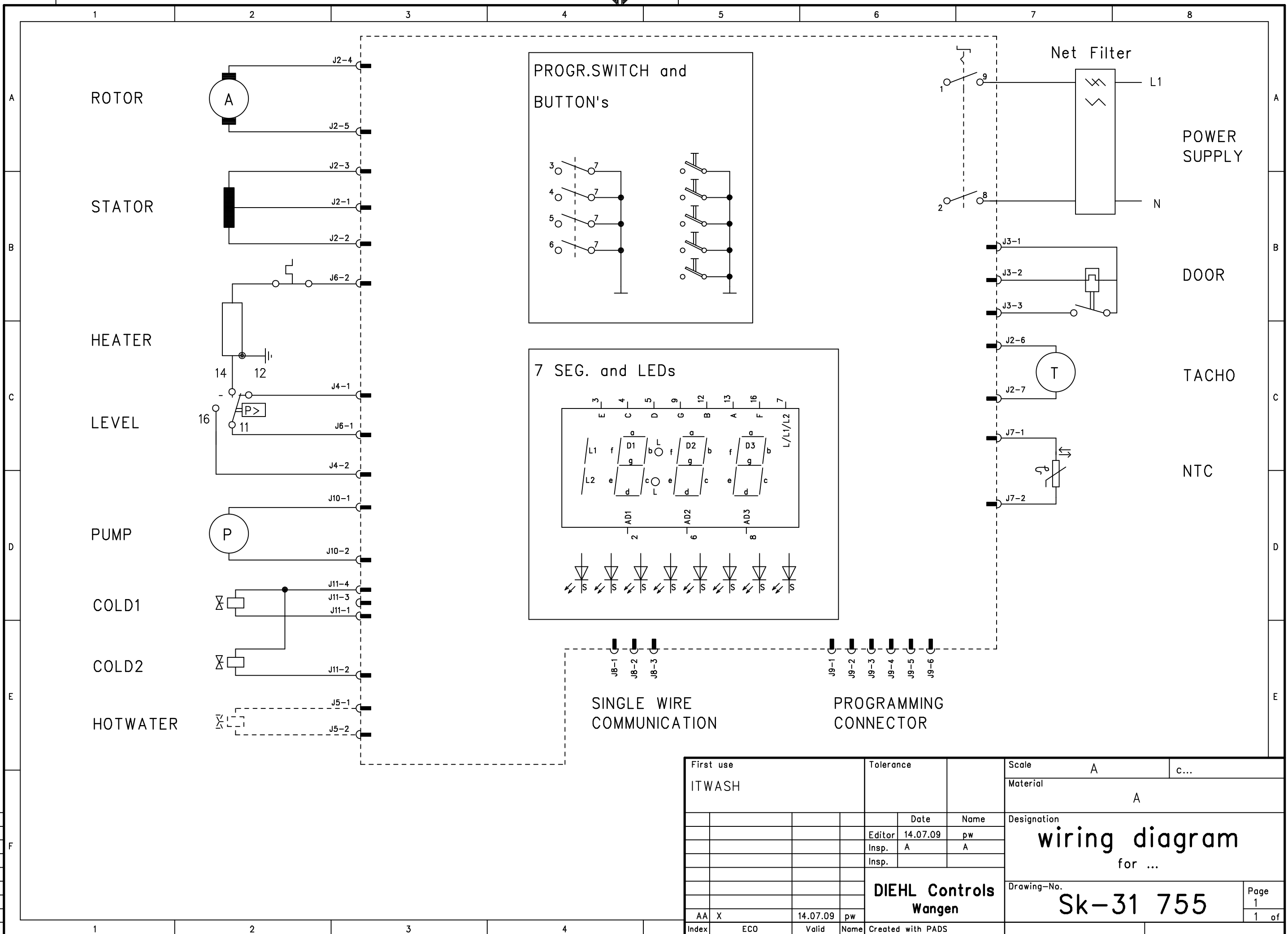


Copyright reserved!

Saveguard according DIN ISO 16016



First use	ITWASH		Tolerance		Scale	A	c...
					Material	A	
			Date	Name	Designation		
			Editor	14.07.09	wiring diagram		
			Insp.	A	for ...		
			Insp.		Drawing-No.		
			DIEHL Controls		Sk-31 755		
			Wangen		Page	1	
AA	X	14.07.09	pw		1	of	
Index	ECO	Valid	Name	Created with PADS			