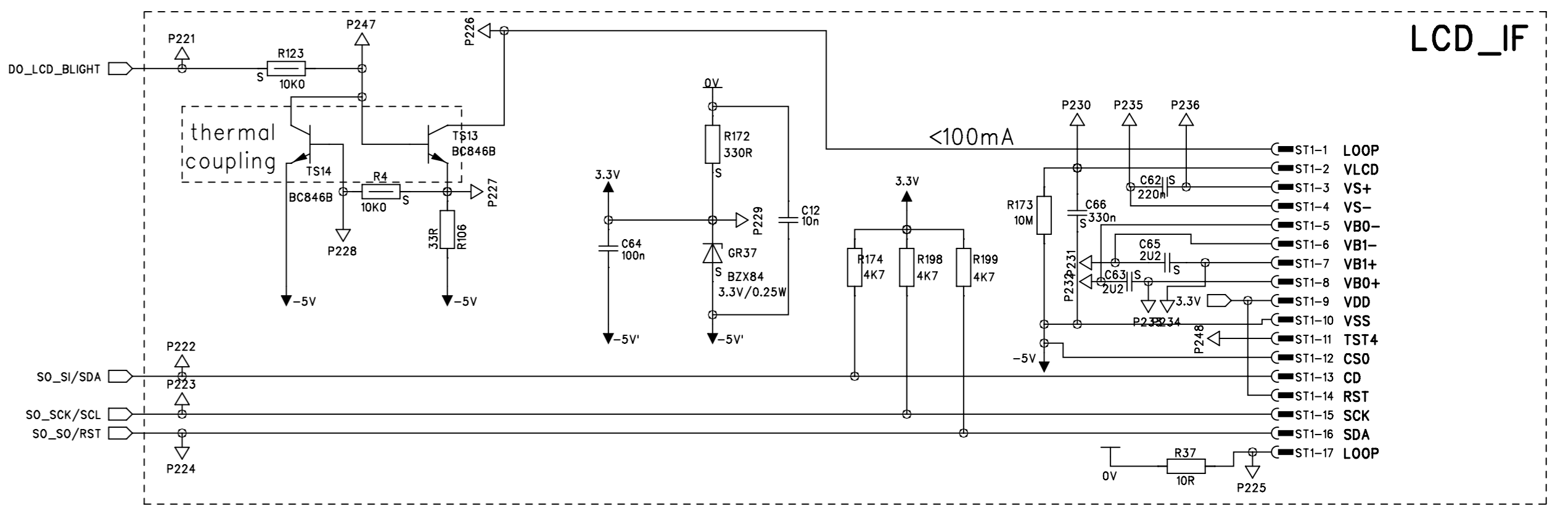
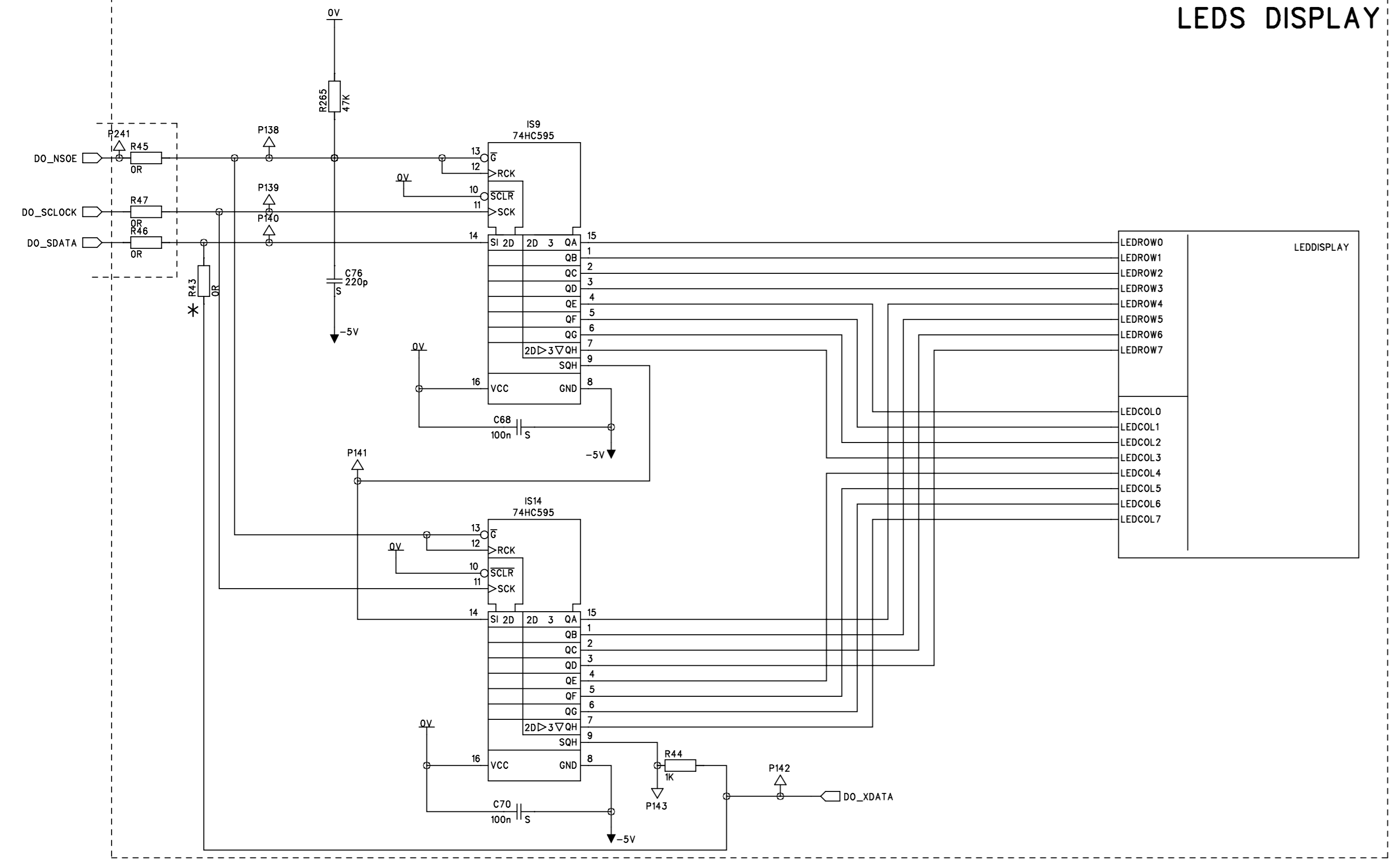
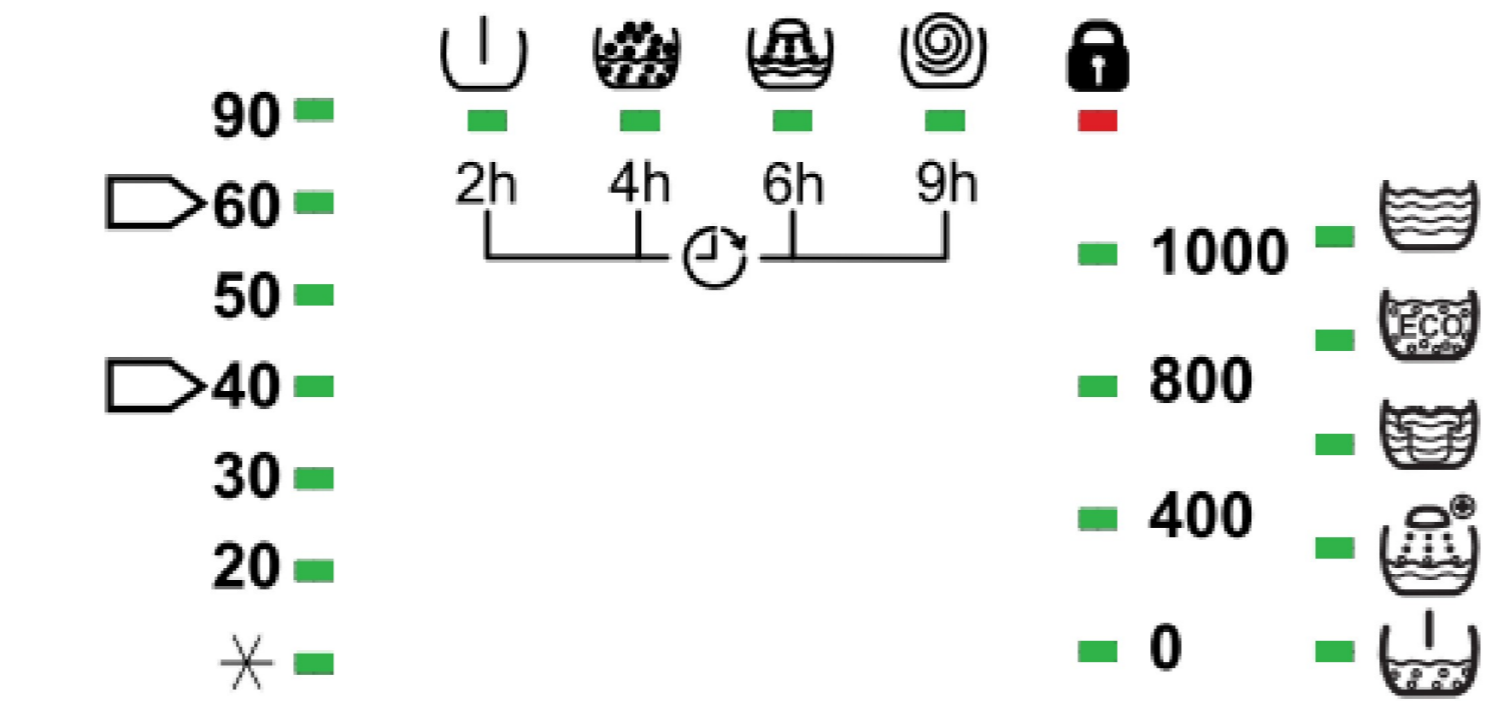
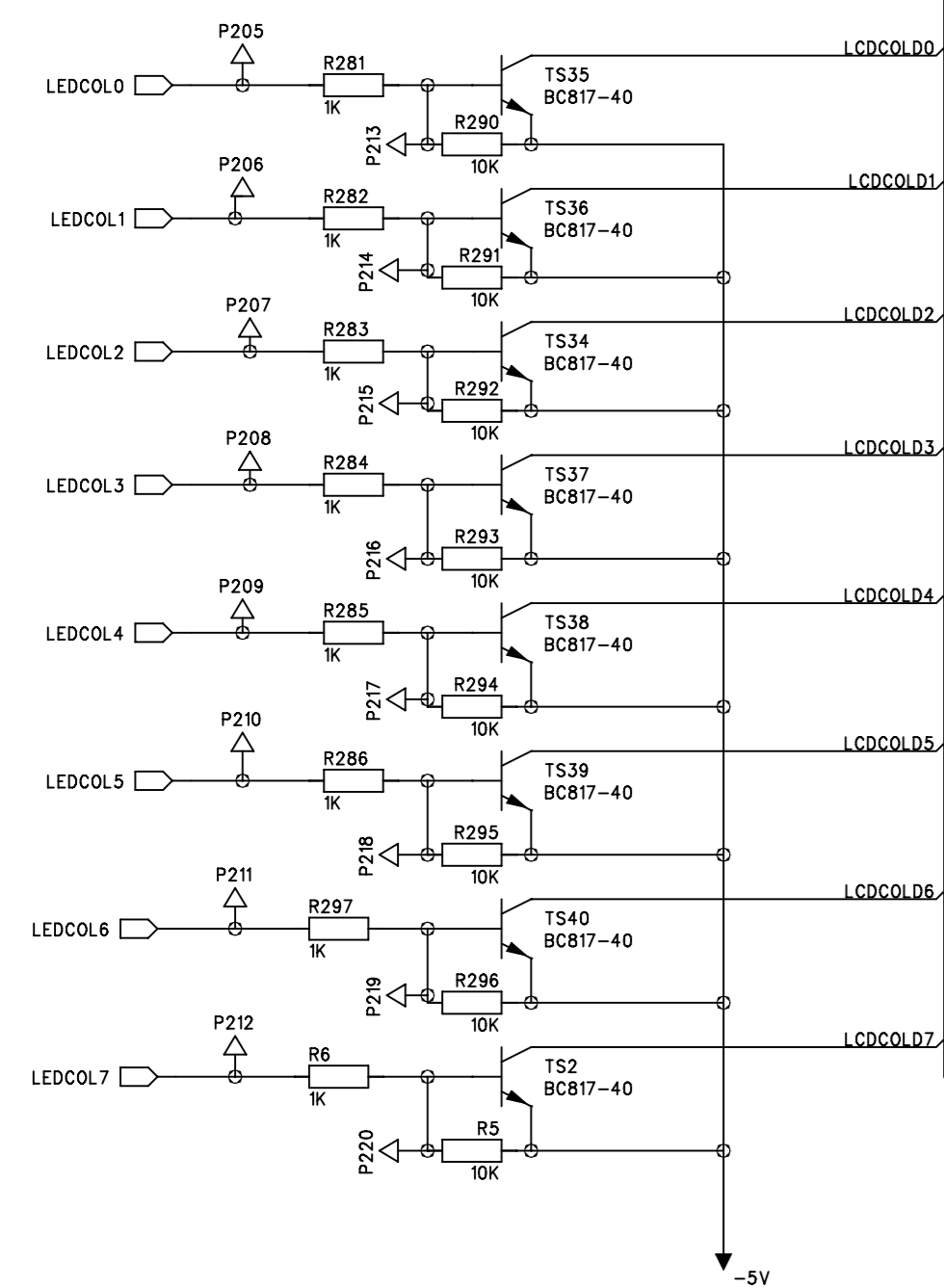
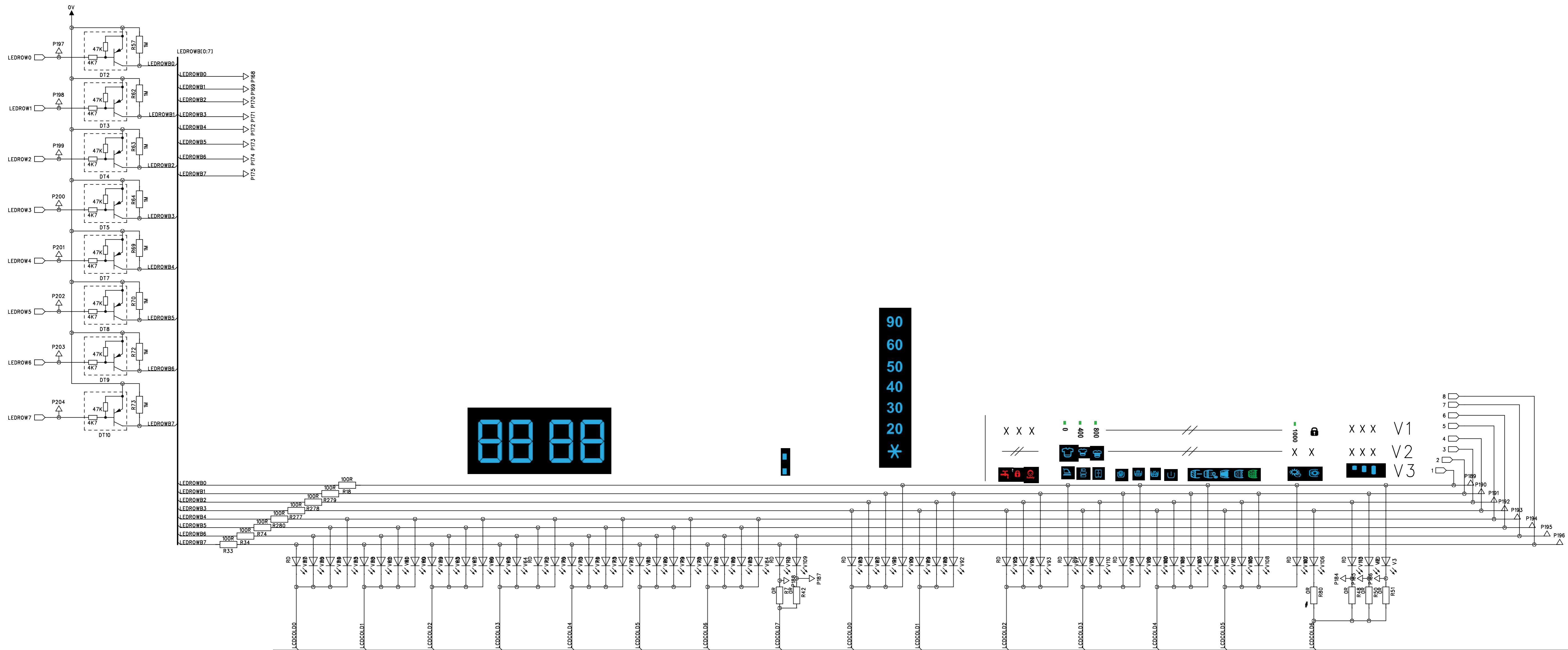


LEDS DISPLAY



First use ITWASH	Tolerance	Scale	<path_01>
		File Name 769698-AB_v01_06.sch	Last Saved Date 2014-10-17
		Date 2014-04	Name TE
		Insp. 2014-04	LRz
		Designation Circuit Diagram for Washer L3POWER_BRD_UI	
		Drawing-No. 769 698	
		Page 1 of 1	
Index	ECN	Valid	Name
			Created with PADS
			<from_old_circuit_Diagram>

Copyright reserved!
Saveguard according DIN ISO 16016



WASHER V1



WASHER V2

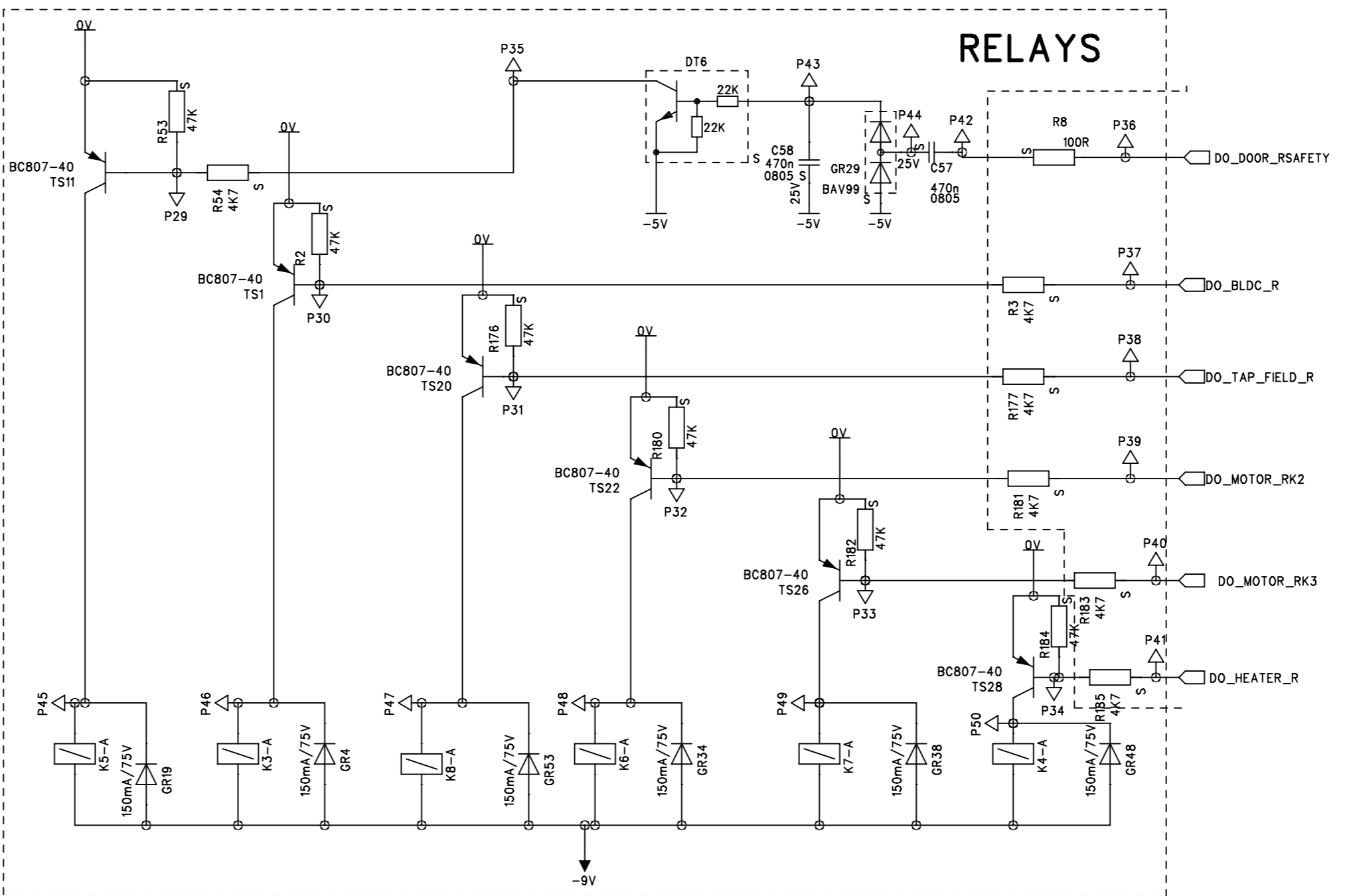
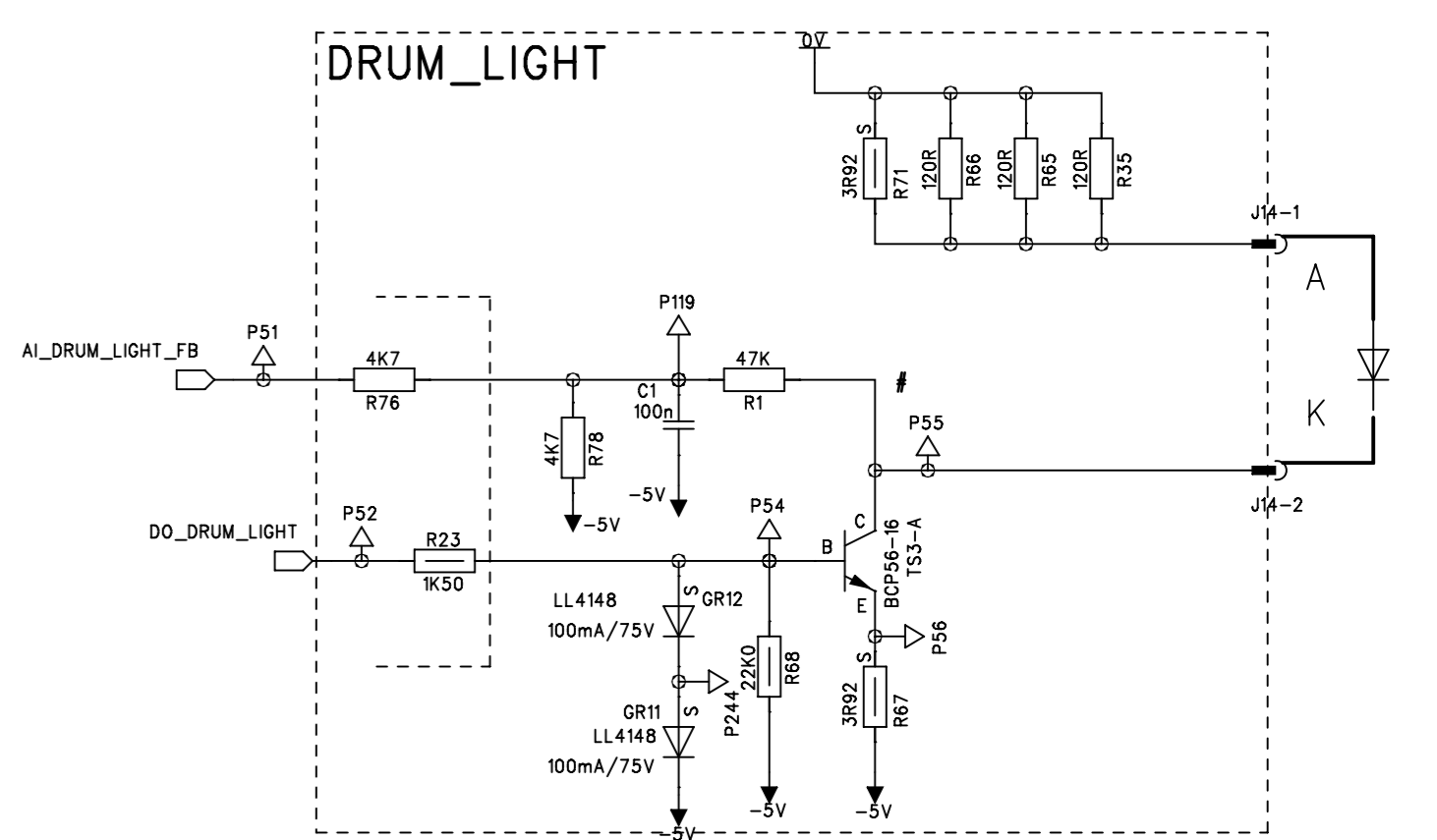
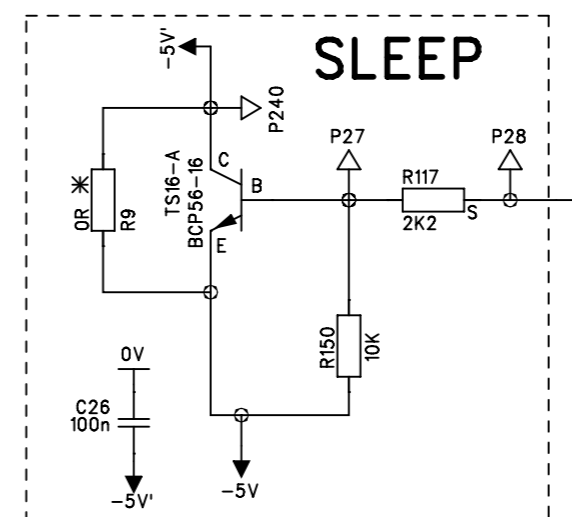
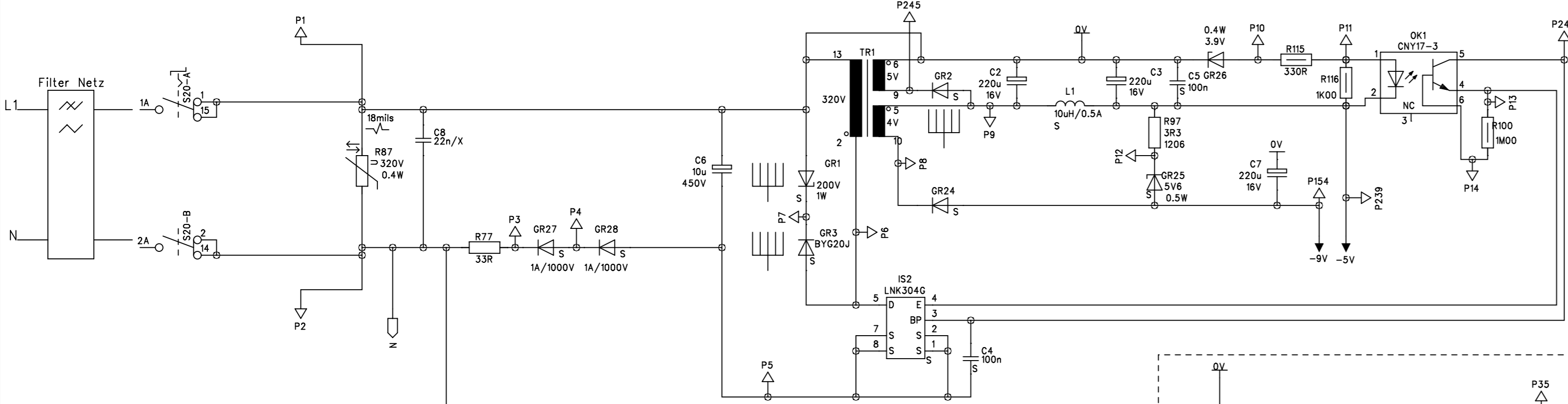


WASHER/DRYER V3

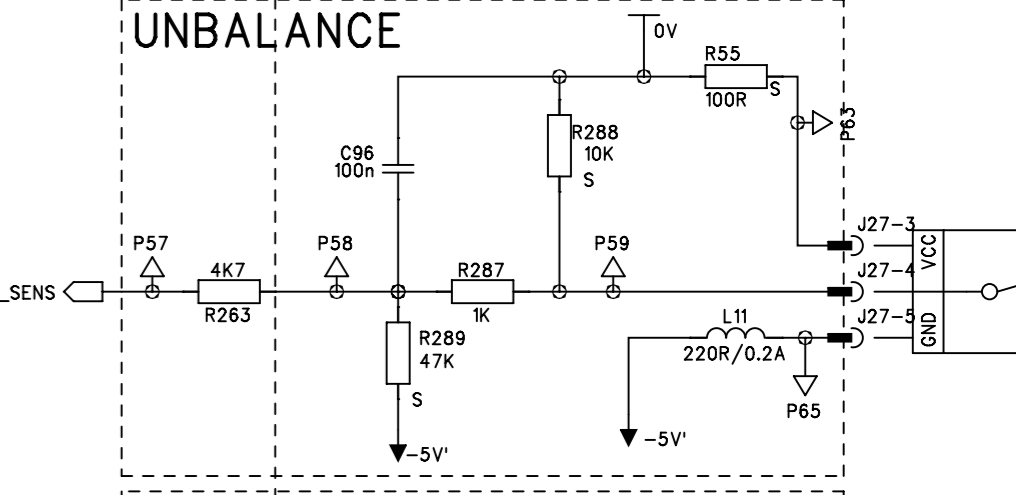
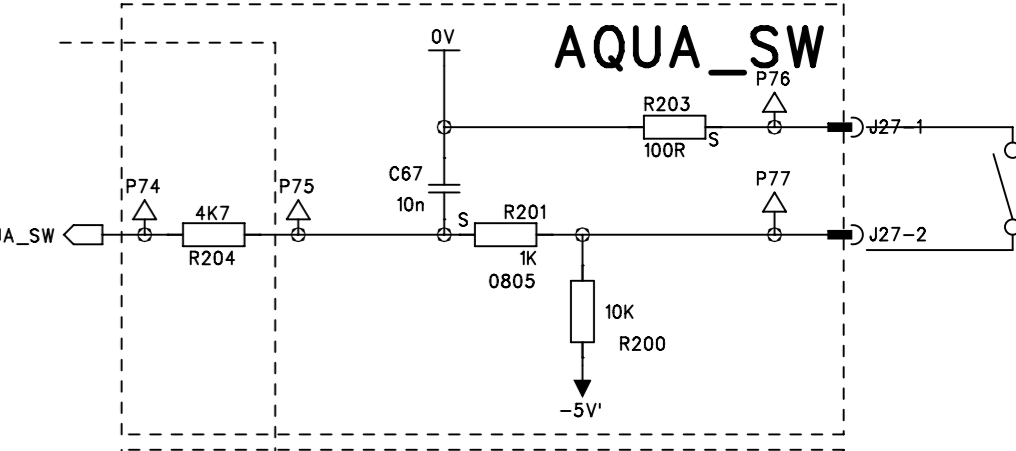
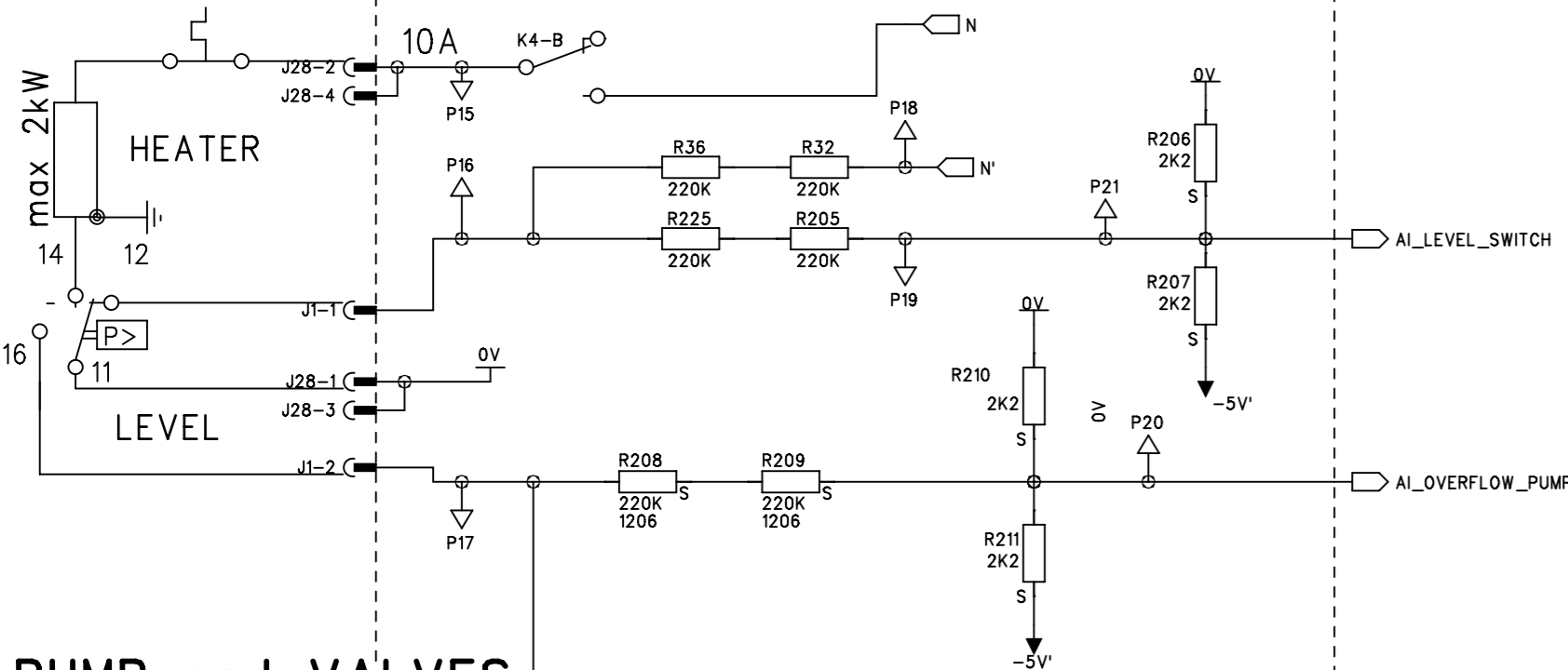
Copyright reserved!

Saveguard according DIN ISO 16016

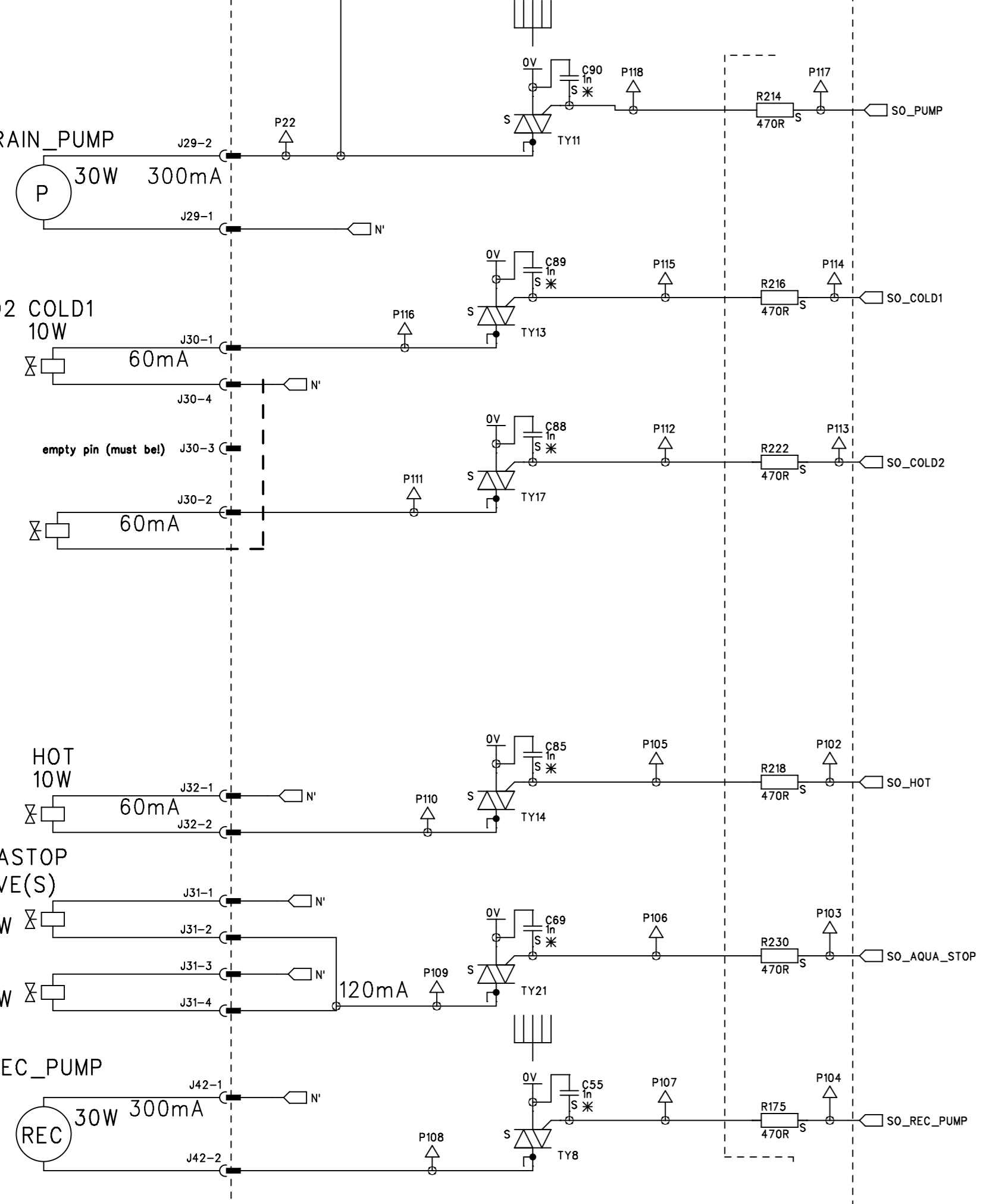
First use ITWASH	Tolerance	Scale	<path_01>
		File Name 769698-AB_v01_06.sch	Last Saved Date 2014-10-17
		Designation Circuit Diagram for Washer LEDDISPLAY	Drawing-No. 769 698
		DIEHL Controls DCWR	Page -1 of
Index	ECN	Valid	Name
			Created with PADS
			<from_old_circuit_Diagram>



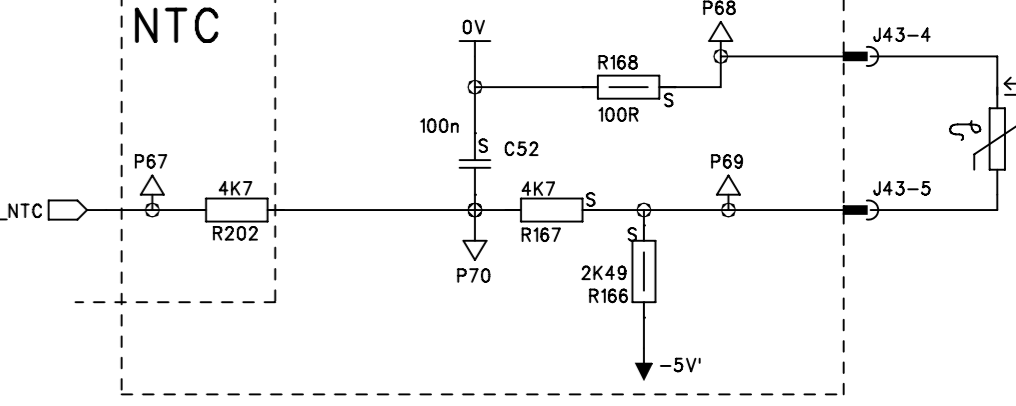
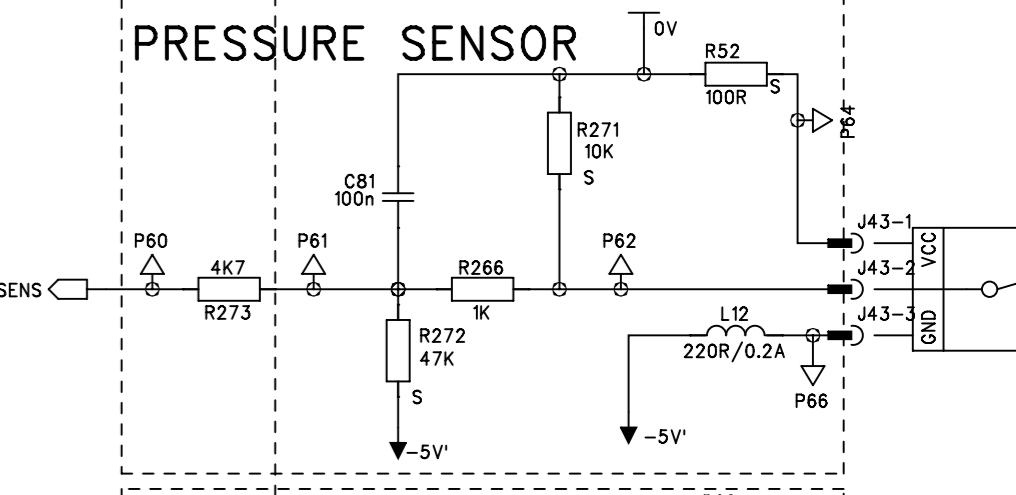
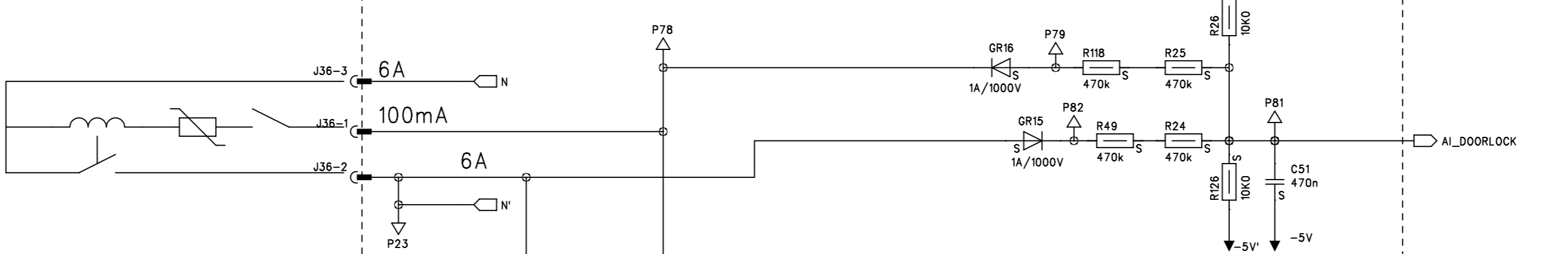
HEATER and LEVEL CONTROL



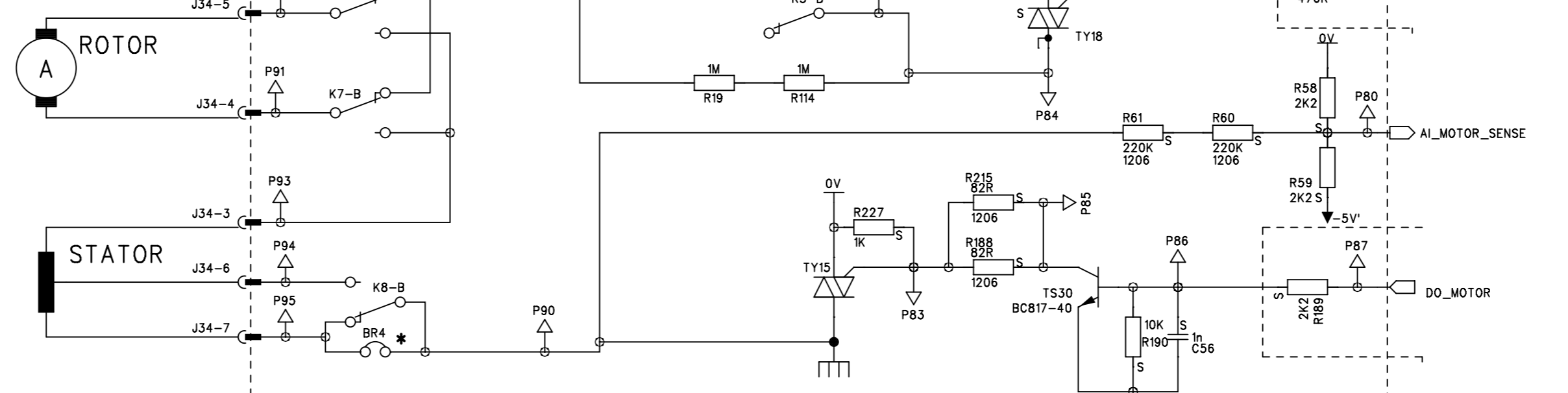
PUMP and VALVES



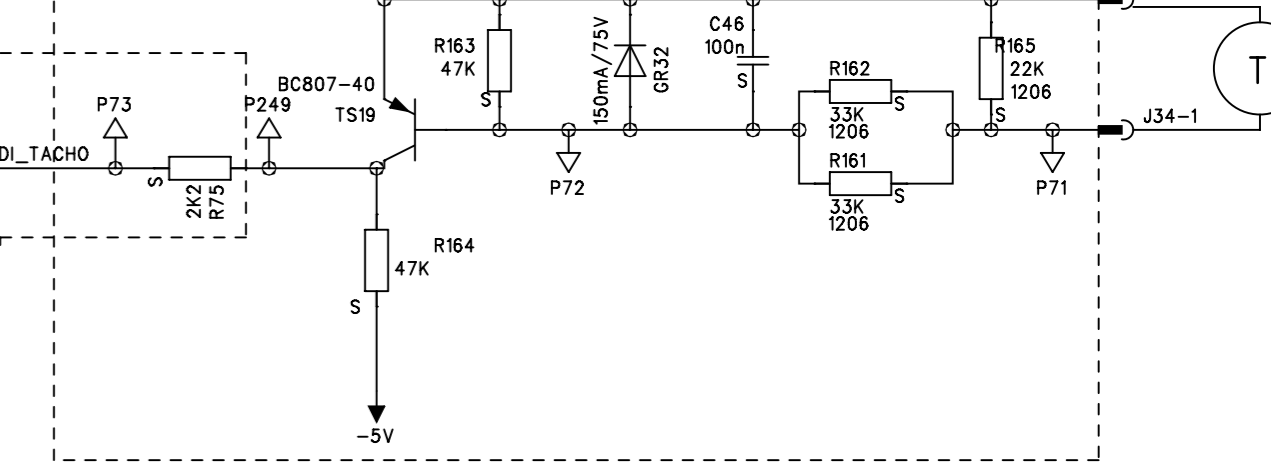
DOORLOCK



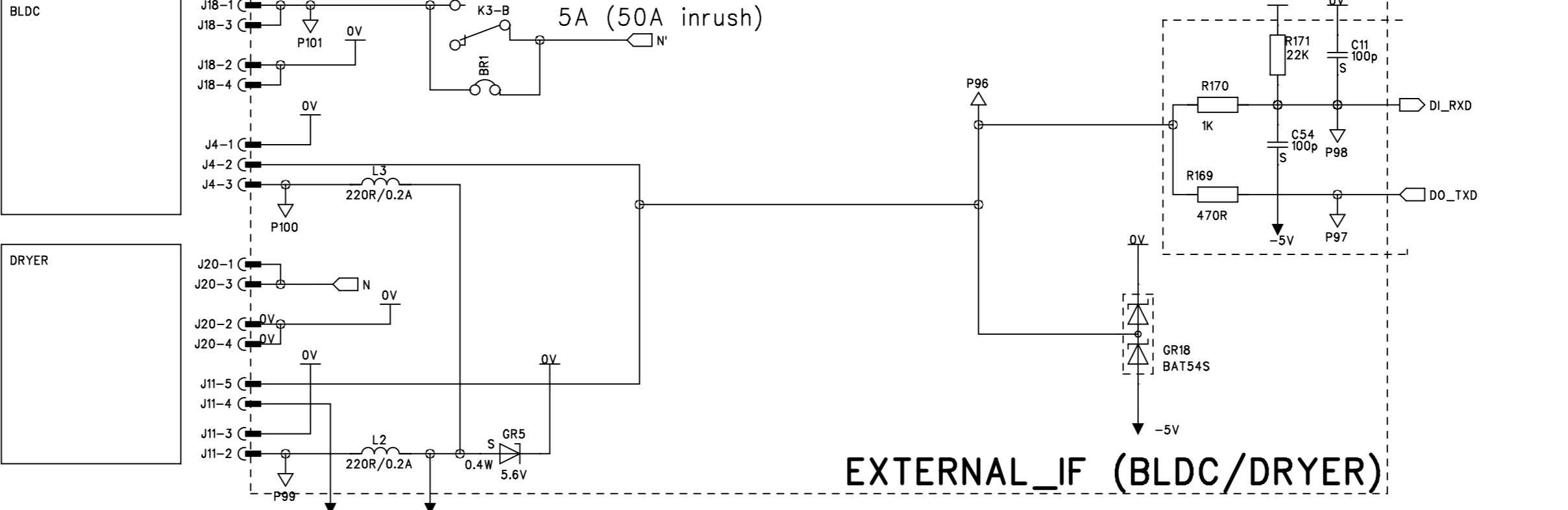
PTC



TACHO



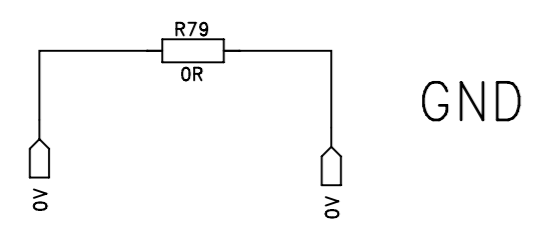
MOTOR CONTROL



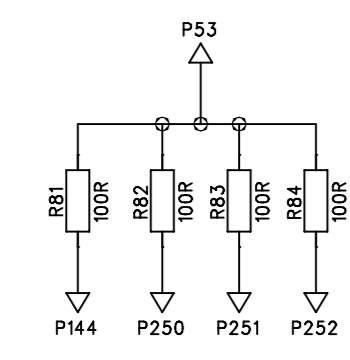
EXTERNAL_IF (BLDC/DRYER)

First use	ITWASH	Tolerance	Scale	File Name	769698-AB_v01_06.sch	Date	2014-04	Name	TE	Editor	2014-04	Ins.	2014-04	LRz	Ins.	2014-04	LRz	Designation	Circuit Diagram	for Washer	L3POWER_BRD_PWR	Drawing-No.	769 698	Page	2
ECN	Valid	Name	Created with PADS	<from_old_circuit_Diagram>	A1	<path_01>	Last Saved Date	2014-10-17																	

Copyright reserved!
Saveguard according DIN ISO 16016



GND



Coding

Copyright reserved!

Saveguard according DIN ISO 16016

First use ITWASH		Tolerance		Scale		<path_01>	
				File Name 769698-AB_v01_06.sch		Last Saved Date 2014-10-17	
<ECN_08>		Date		Name		Designation	
<ECN_07>		Editor		2014-04		TE	
<ECN_06>		Insp.		2014-04		LRz	
<ECN_05>		Insp.					
<ECN_04>							
<ECN_03>							
<ECN_02>							
<ECN_01>							
Index		ECN		Valid		Name	
				Created with PADS		<from_old_circuit_Diagram>	
				DIEHL Controls DCWR		Drawing-No. 769 698	
						Page 3 of	