

WASHER V1



WASHER V2



WASHER/DRYER V3

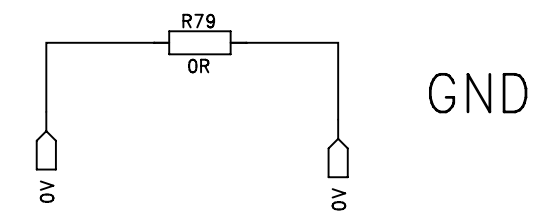
Copyright reserved

Saveguard according DIN ISO 16016

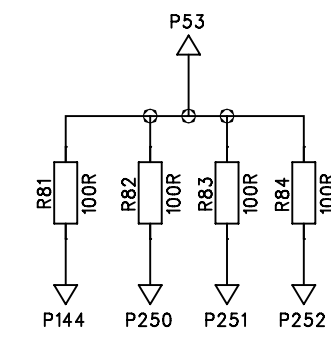
First use ITWASH	Tolerance	Scale	<path_01>
		File Name 769698-AB_v01_06.sch	Last Saved Date 2014-10-17
		Designation <b>Circuit Diagram</b> for Washer LEDDISPLAY	Drawing-No. <b>769 698</b>
		DIEHL Controls DCWR	Page -1 of
Index	ECN	Valid	Name
			Created with PADS
			<from_old_circuit_Diagram>







GND



Coding

Copyright reserved!

Savesguard according DIN ISO 16016

First use ITWASH		Tolerance		Scale		<path_01>	
				File Name 769698-AB_v01_06.sch		Last Saved Date 2014-10-17	
<ECN_08>		Date		Name		Designation	
<ECN_07>		Editor		2014-04		TE	
<ECN_06>		Insp.		2014-04		LRz	
<ECN_05>		Insp.					
<ECN_04>							
<ECN_03>							
<ECN_02>							
<ECN_01>							
DIEHL Controls DCWR		Drawing-No. <b>769 698</b>		Page 3		of	
Index	ECN	Valid	Name	Created with PADS	<from_old_circuit_Diagram>	A1	