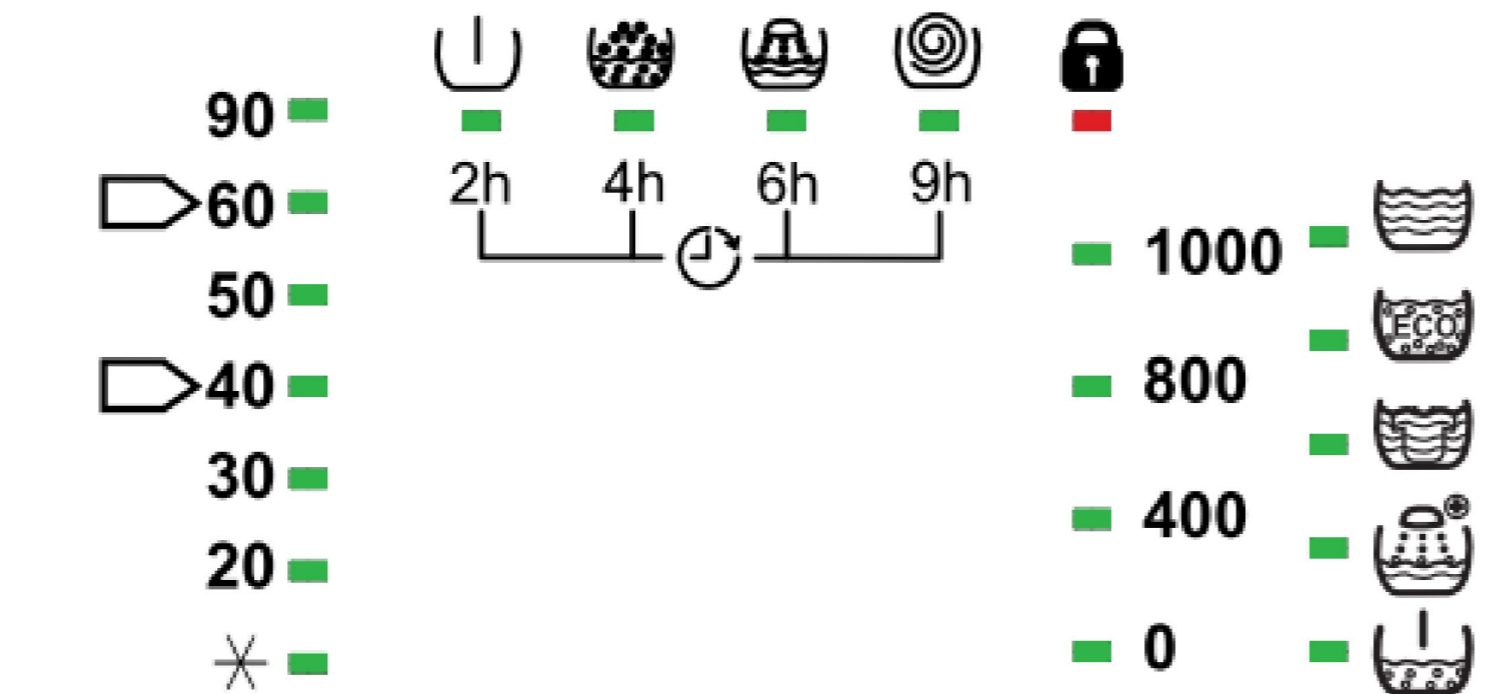
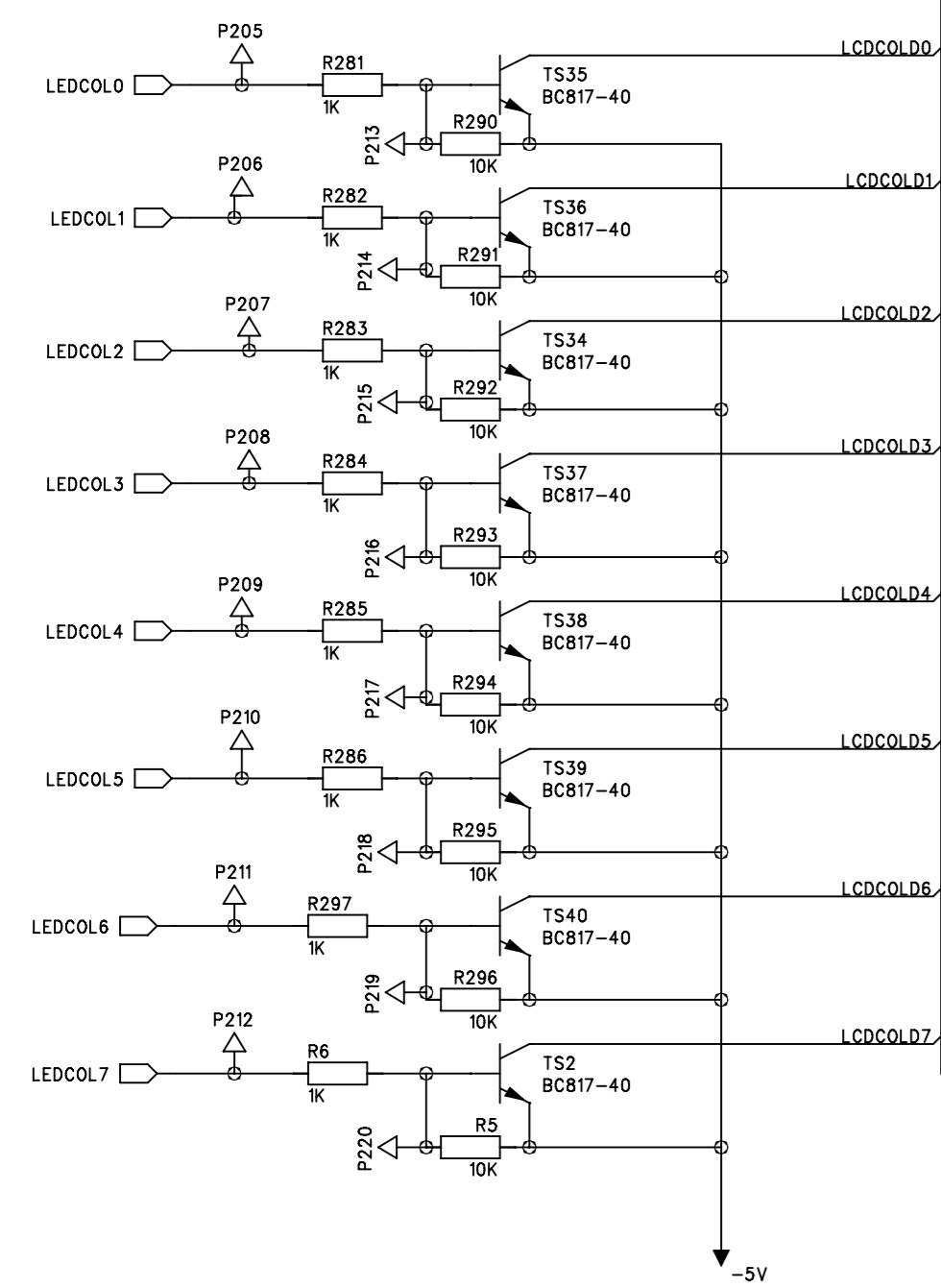
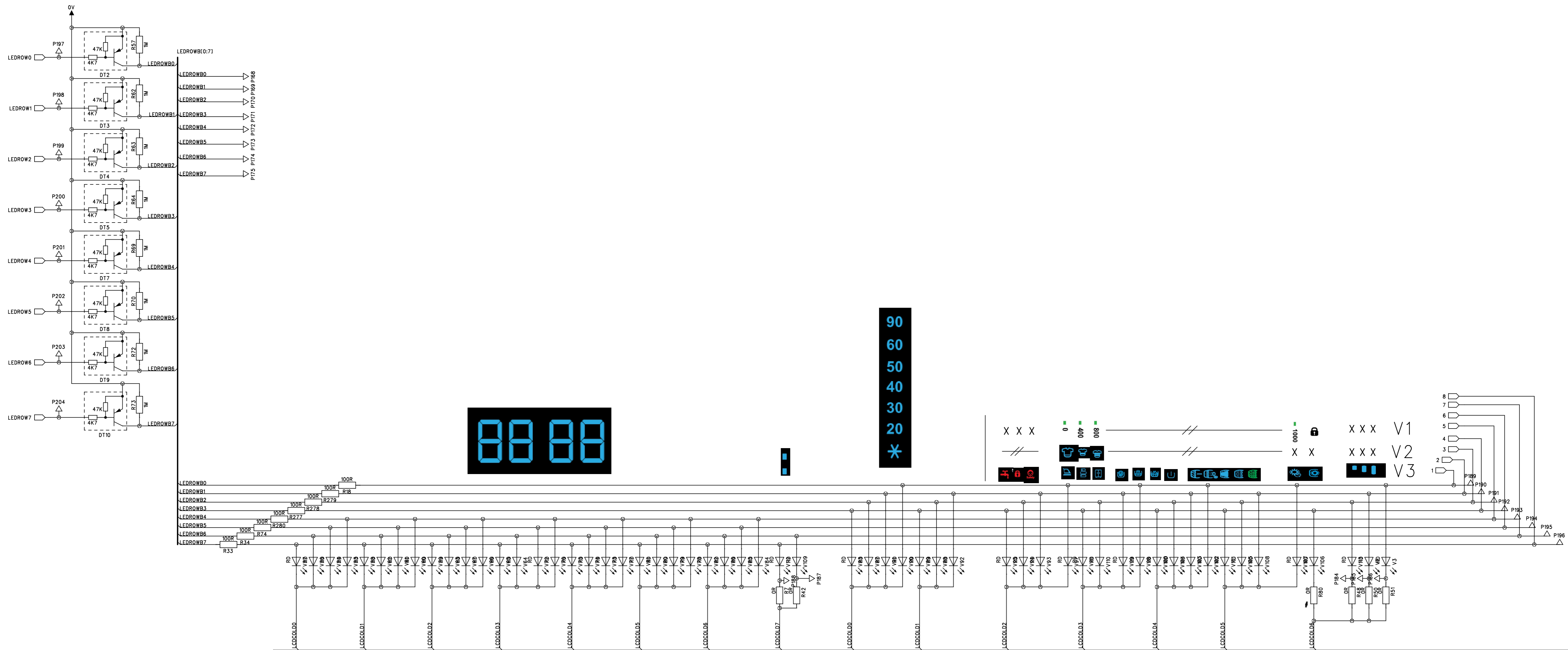


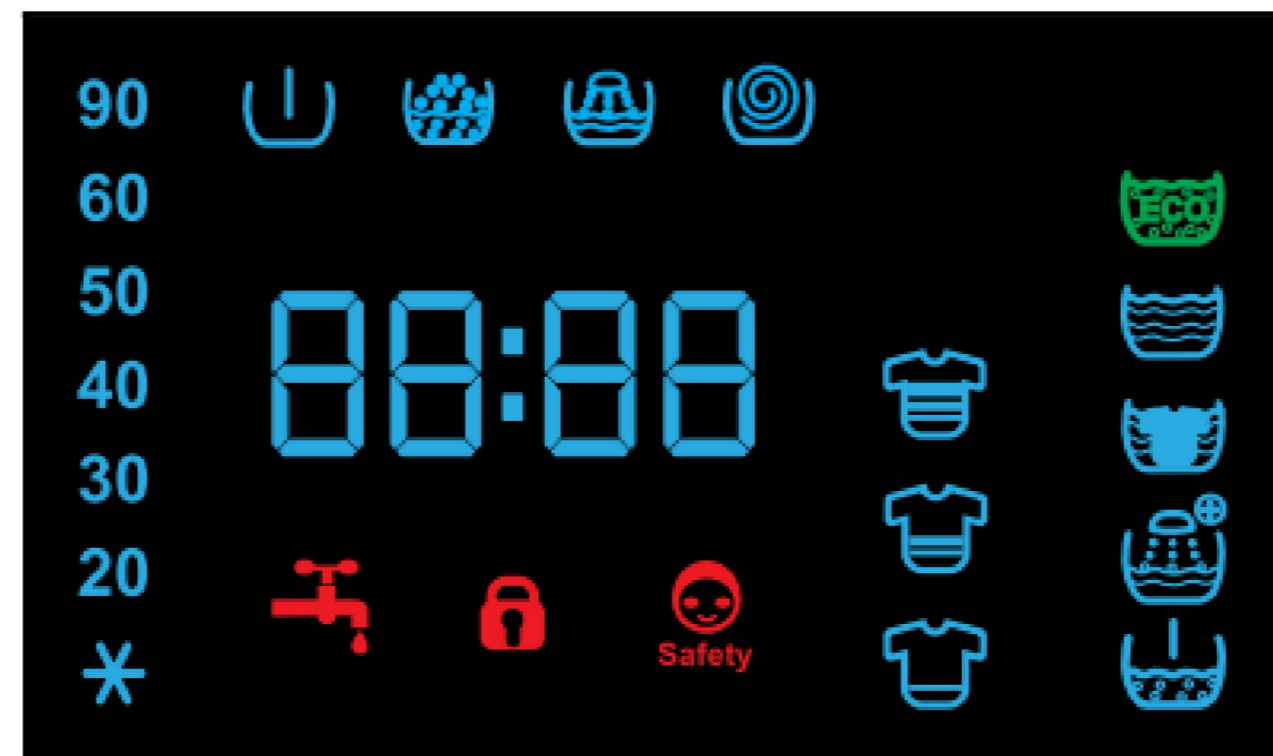
First use ITWASH	Tolerance	Scale	<path_01>
769698-AB_v01_06.sch		File Name	Last Saved Date 2014-10-17
<ECN_08>	Date	Name	Designation
<ECN_07>	2014-04	TE	Circuit Diagram
<ECN_06>	2014-04	LRz	for Washer
<ECN_05>			L3POWER_BRD_UI
<ECN_04>			Drawing-No.
<ECN_03>			769 698
<ECN_02>			Page 1
<ECN_01>			of
Index	ECN	Valid	Name
			Created with PADS
			<from_old_circuit_Diagram>

Copyright reserved!

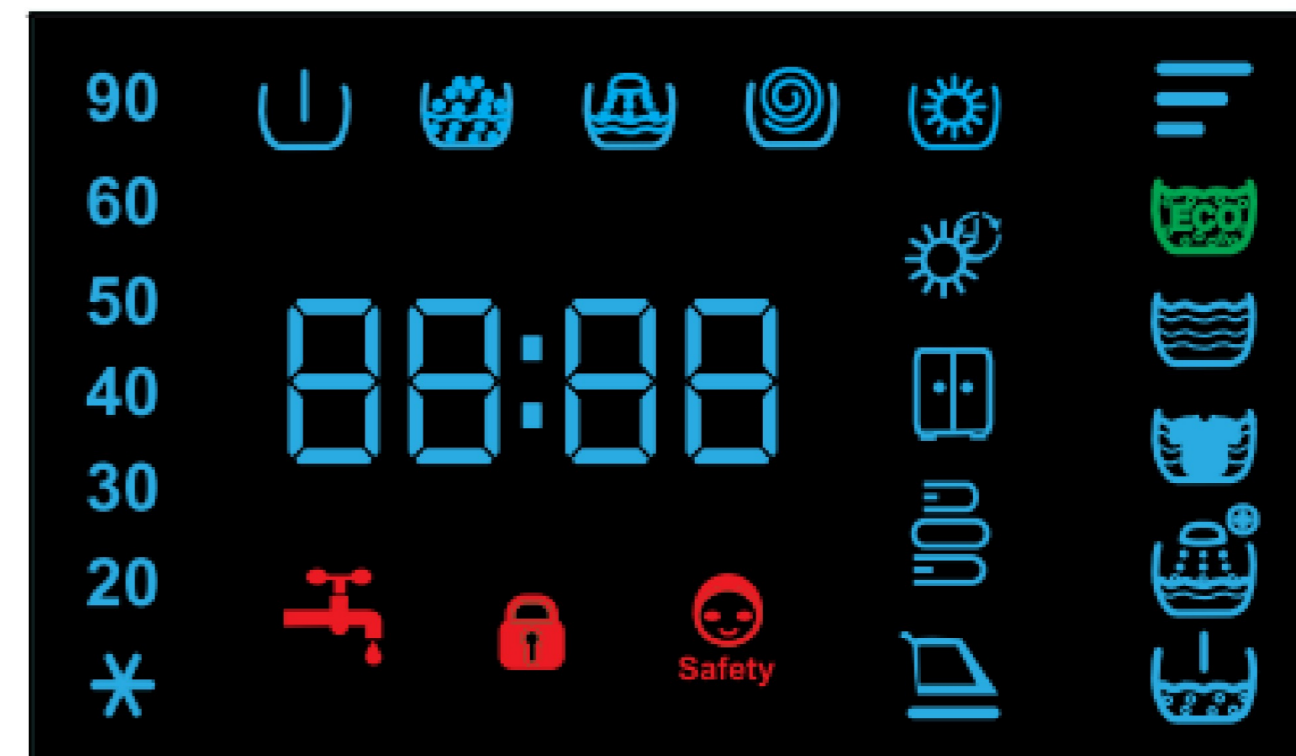
Saveguard according DIN ISO 16016



WASHER V1



WASHER V2

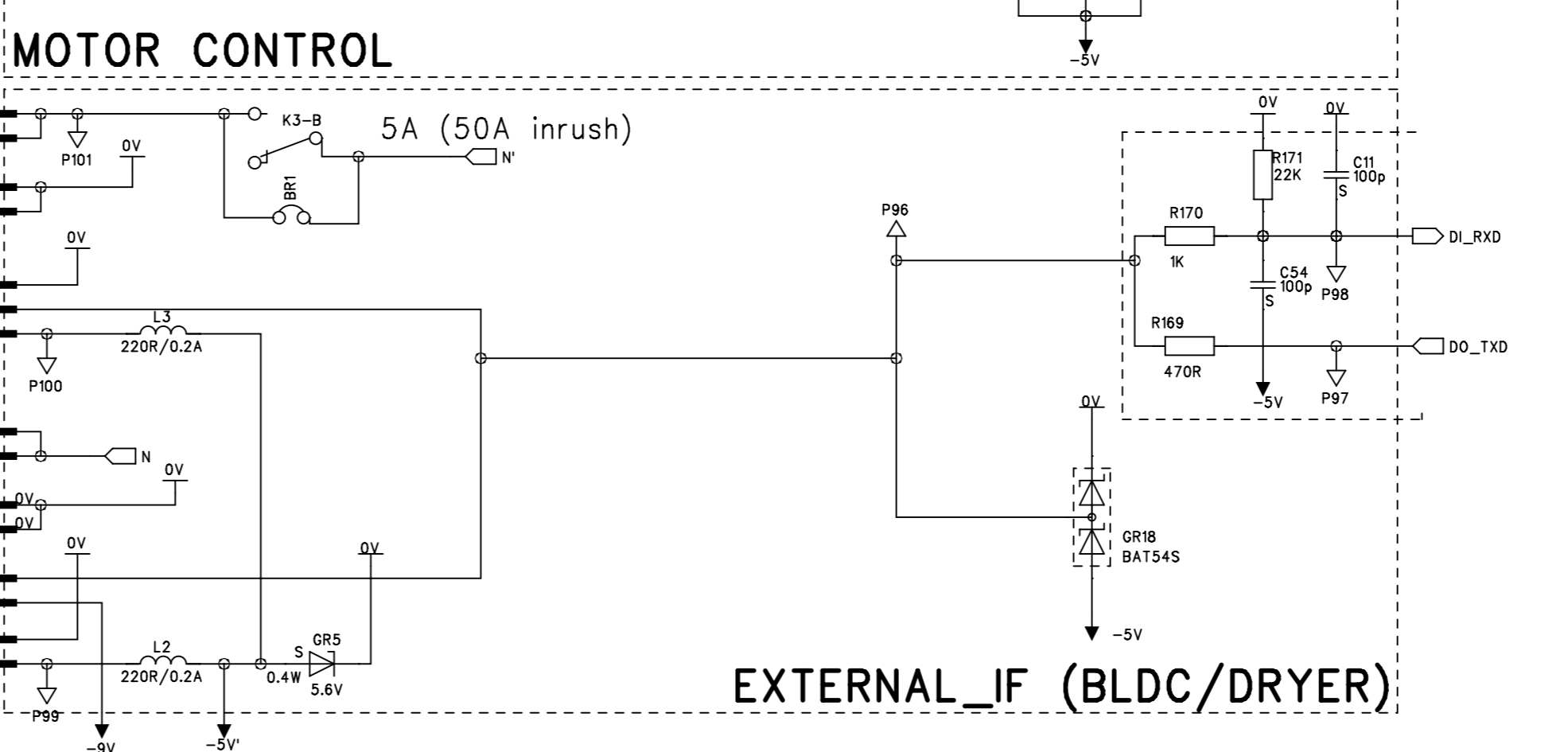
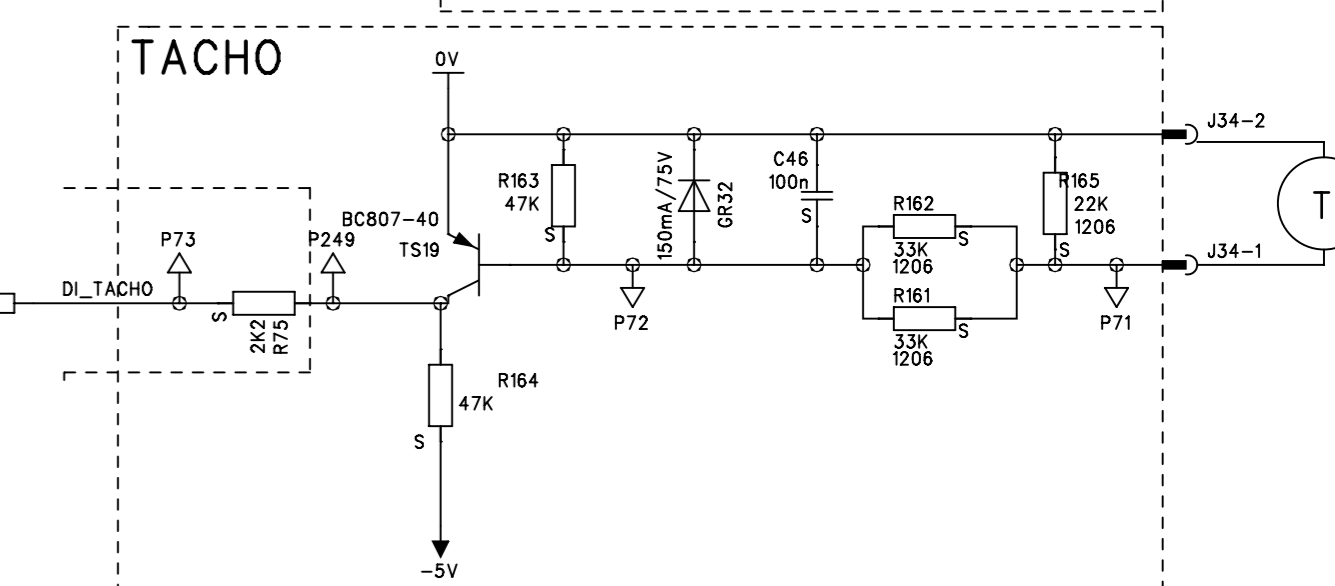
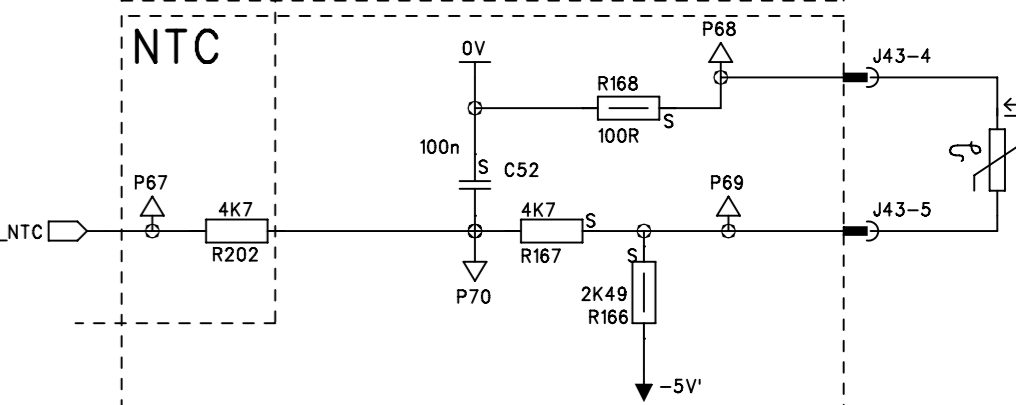
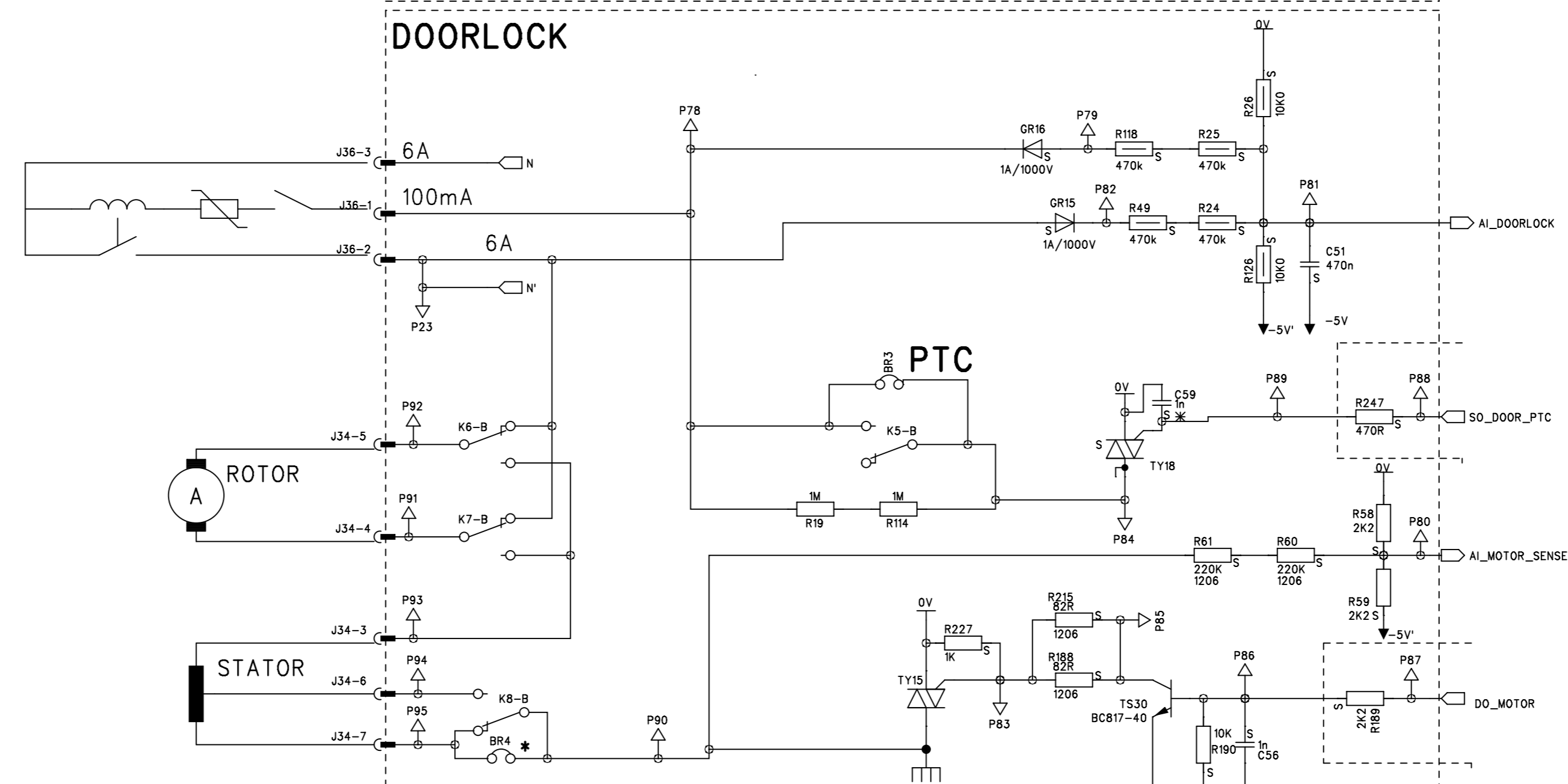
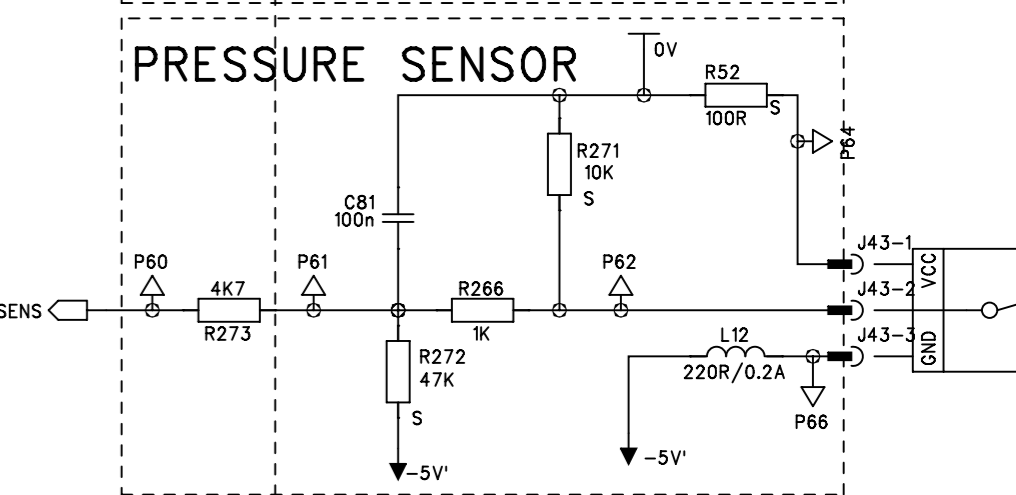
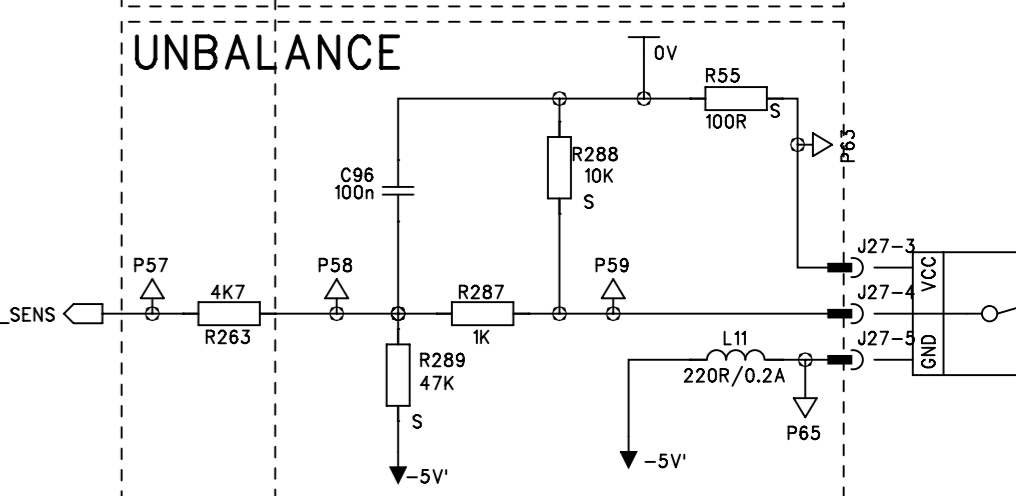
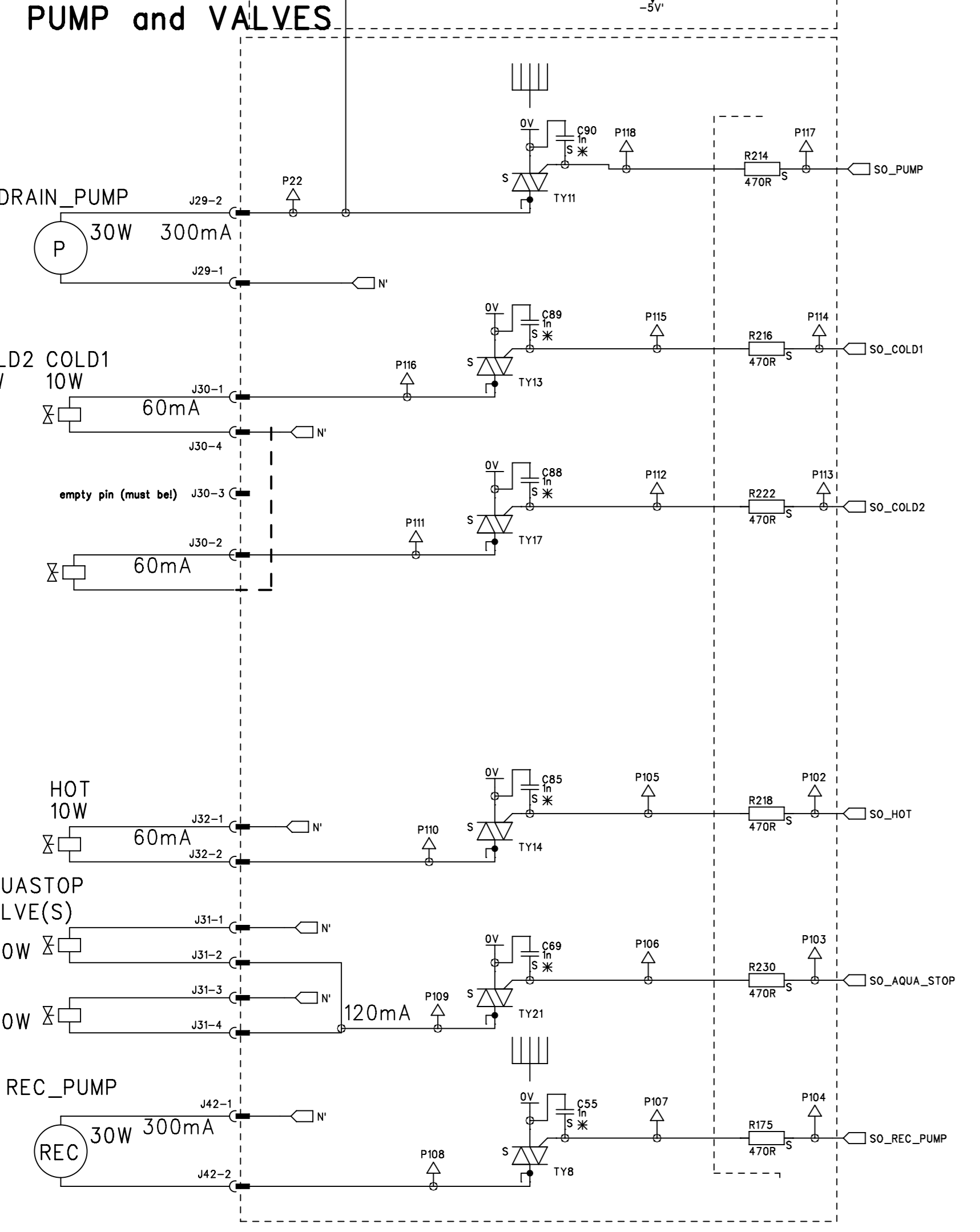
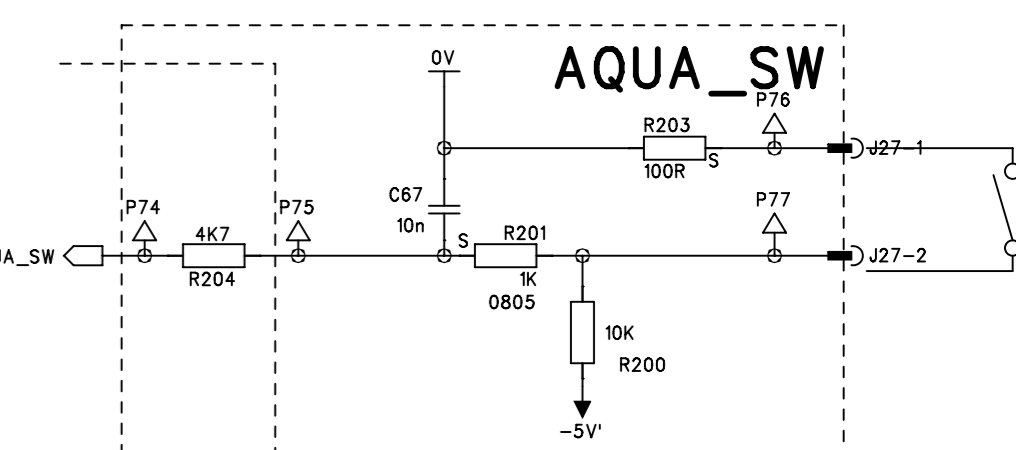
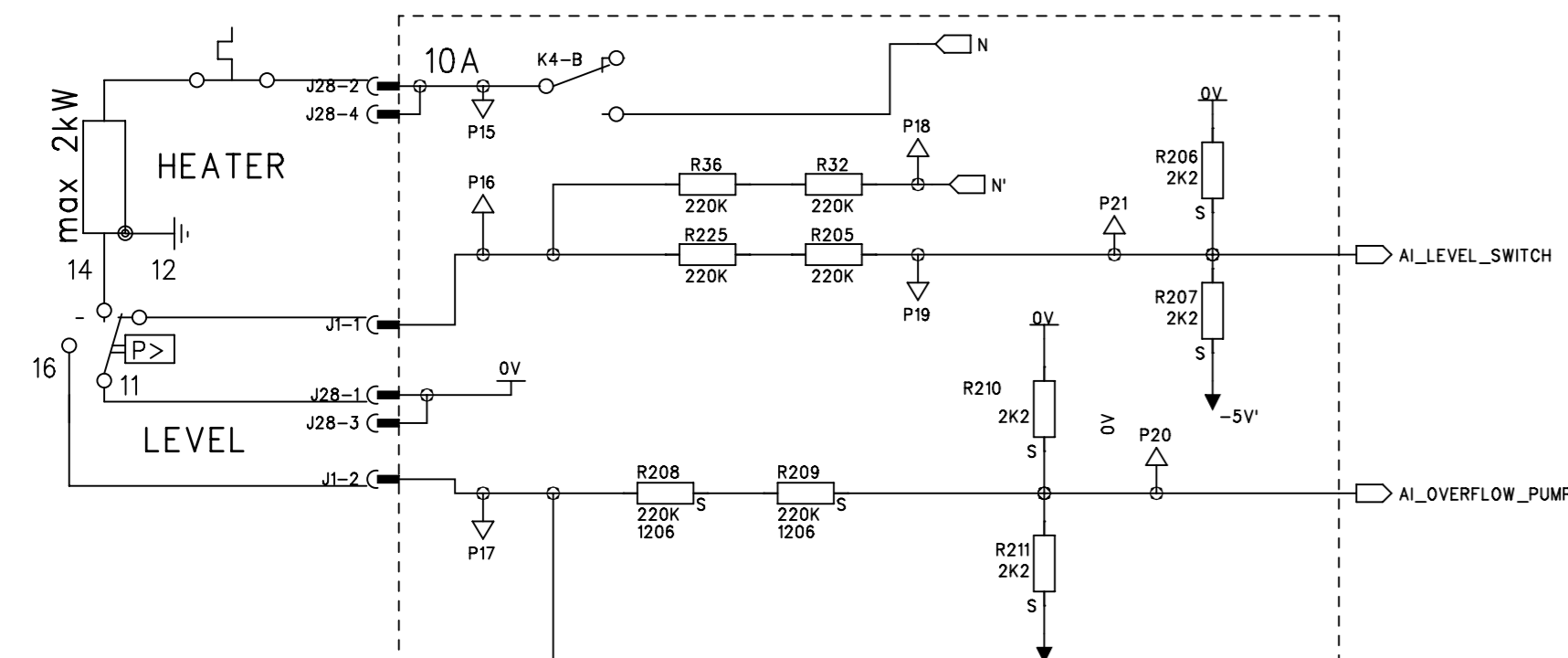
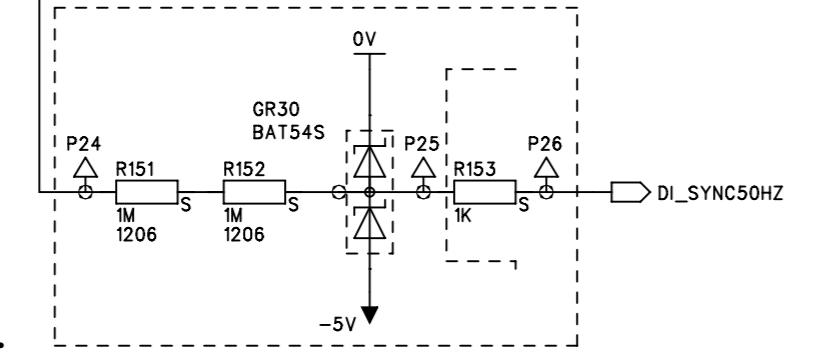
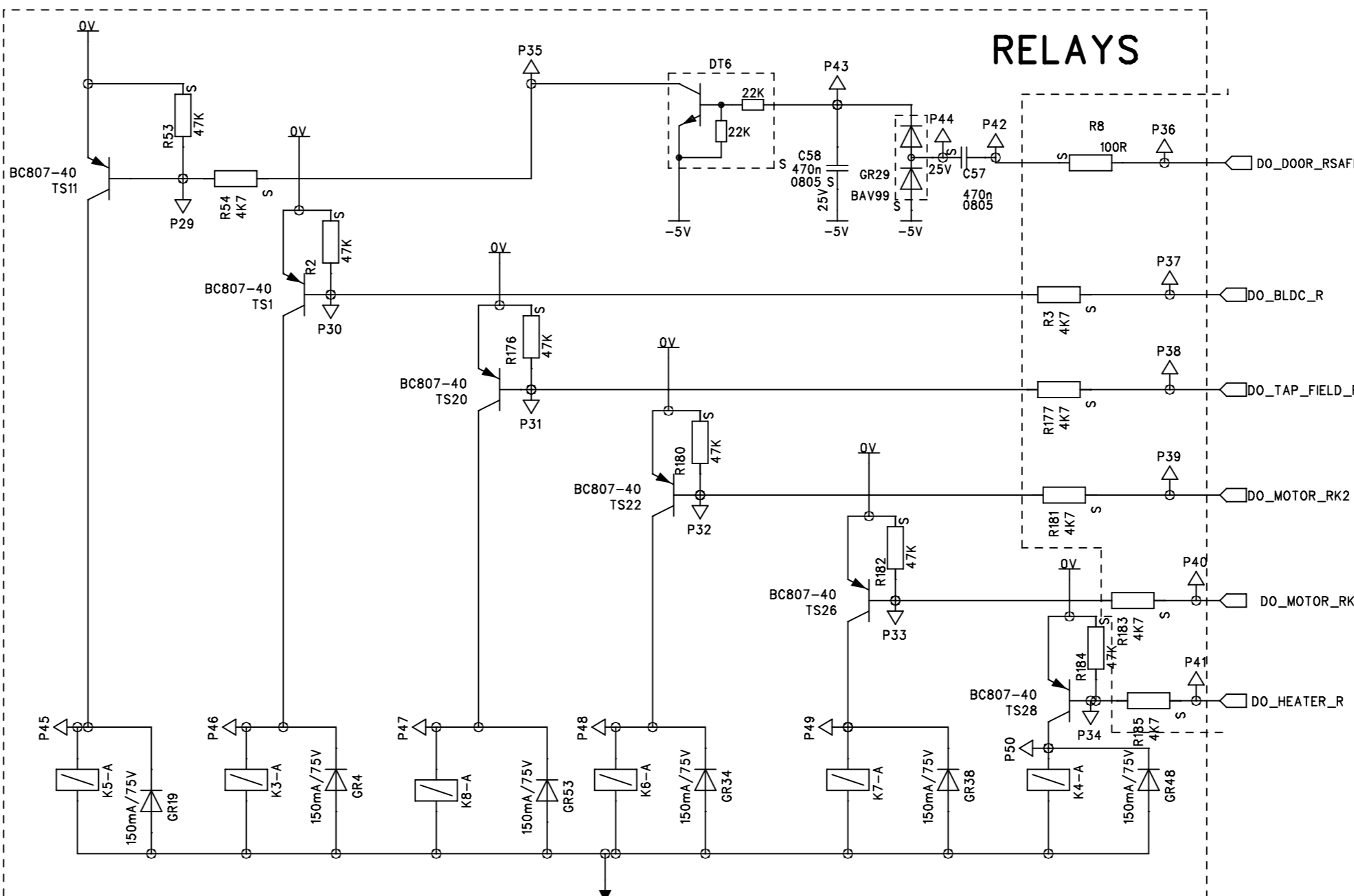
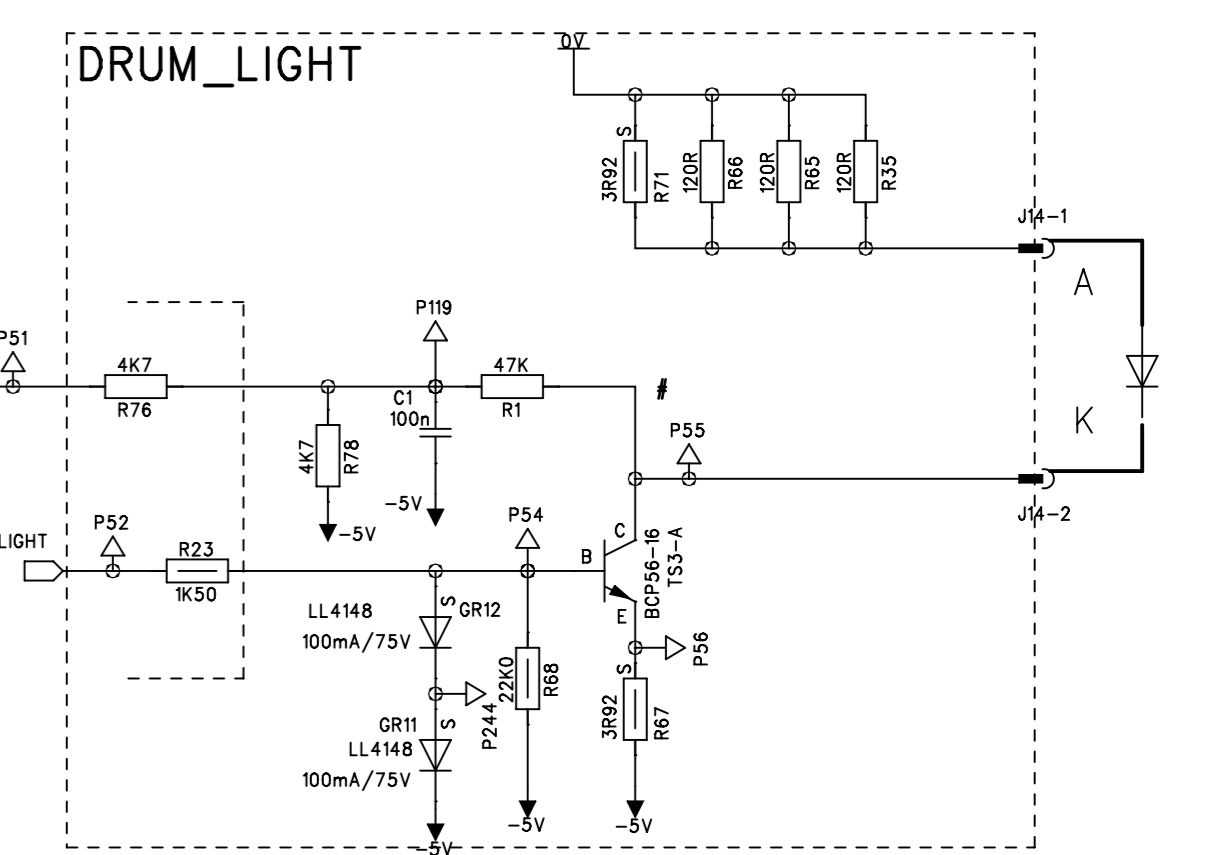
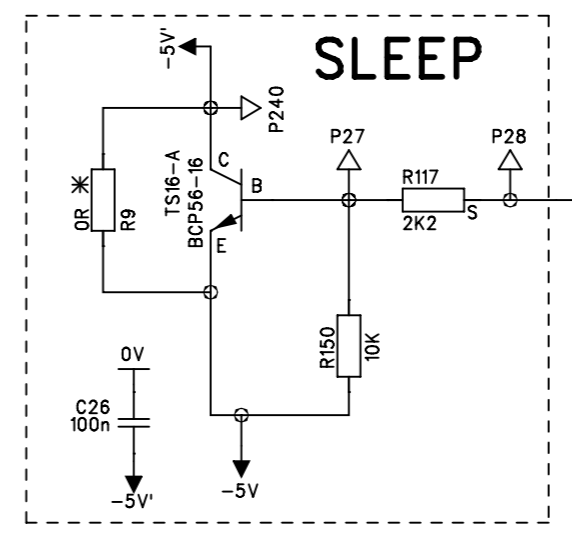
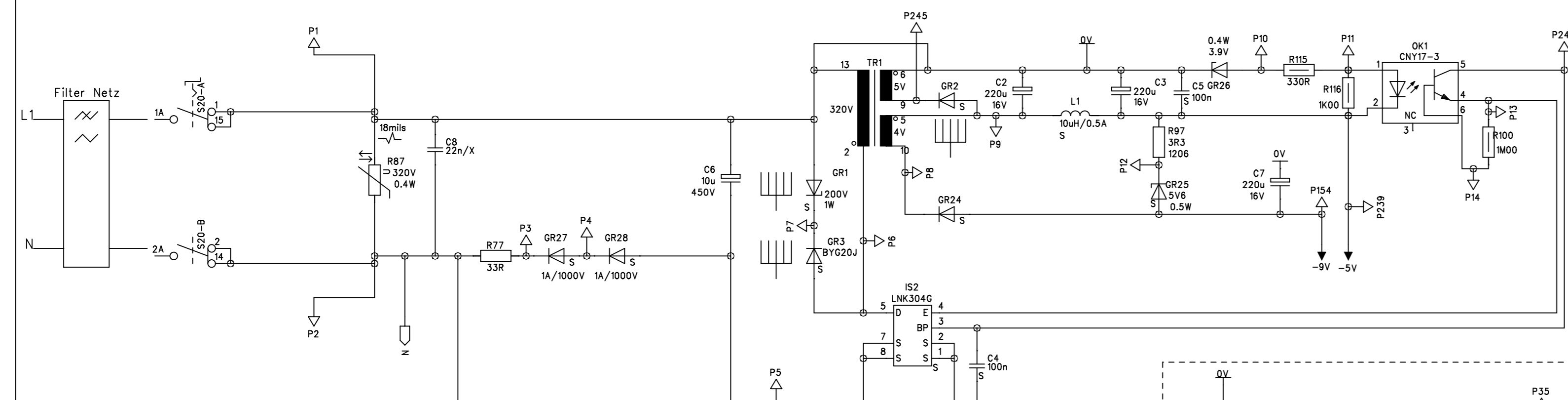


WASHER/DRYER V3

Copyright reserved!

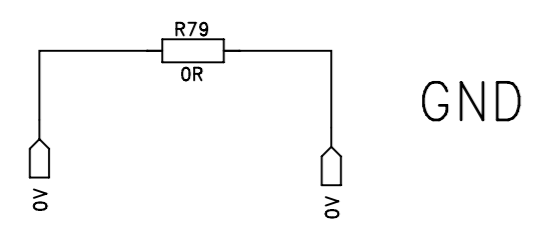
Saveguard according DIN ISO 16016

First use ITWASH	Tolerance	Scale	<path_01>
		File Name 769698-AB_v01_06.sch	Last Saved Date 2014-10-17
		Editor 2014-04 TE	Designation Circuit Diagram
		Ins. 2014-04 LRz	for Washer LEDDISPLAY
			Drawing-No. 769 698
			Page -1
			of
Index	ECN	Valid	Name
			Created with PADS
			<from_old_circuit_Diagram>
			A1

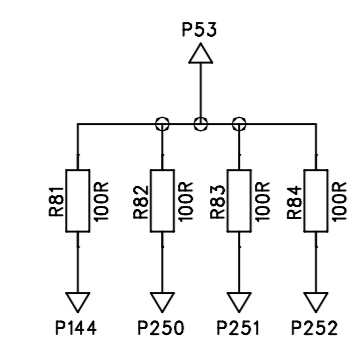


First use	ITWASH	Tolerance	Scale	<path_01>
			File Name	769698-AB_v01_06.sch
			Last Saved Date	2014-10-17
			Designation	Circuit Diagram
				for Washer
				L3POWER_BRD_PWR
			Drawing-No.	769 698
				Page 2
Index	ECN	Valid	Name	Created with PADS
				<from_old_circuit_Diagram>

Copyright reserved!
Saveguard according DIN ISO 16016



GND



Coding

Copyright reserved!

Savesguard according DIN ISO 16016

First use ITWASH		Tolerance		Scale		<path_01>	
				File Name 769698-AB_v01_06.sch		Last Saved Date 2014-10-17	
<ECN_08>		Date		Name		Designation	
<ECN_07>		Editor		2014-04		TE	
<ECN_06>		Insp.		2014-04		LRz	
<ECN_05>		Insp.					
<ECN_04>							
<ECN_03>							
<ECN_02>							
<ECN_01>							
Index		ECN		Valid		Name	
						Created with PADS	
						Drawing-No. 769 698	
						Page 3 of	
						<from_old_circuit_Diagram> A1	