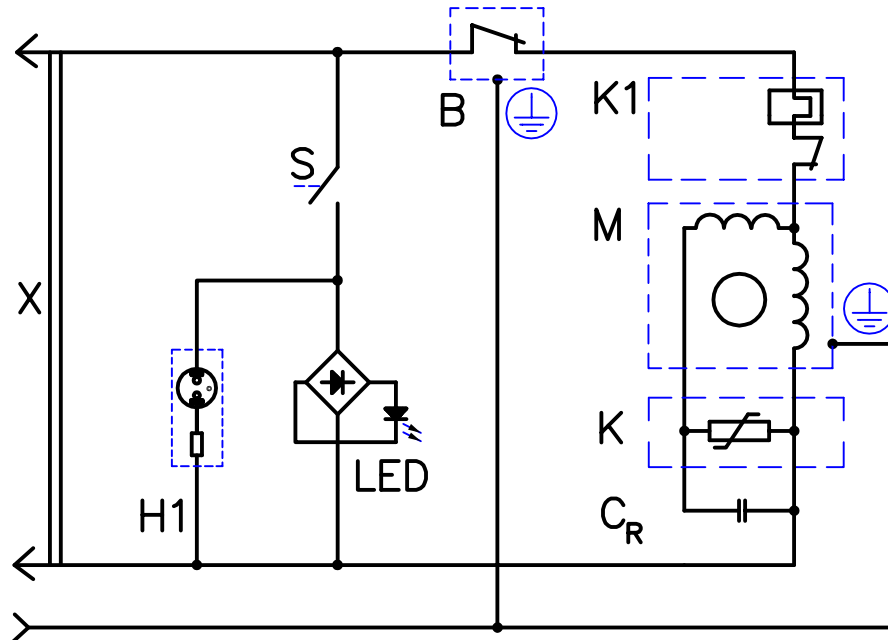


PRINCIPLE CIRCUIT DIAGRAM FOR DOMESTIC COMPRESSOR REFRIGERATORS
 RF27SM, RF30SM, RF31SM, RF32SM, RF34SM, RF35SM, RF36SM, RF39SM, C29SM, C31SM
 WITH MECHANICAL SWITCH AND LED LIGHTING



DESIGNATION	DESCRIPTION	QUANTITY	NOTE
X	CORDSET	1	
H1	INDICATOR (GREEN)	1*	*) where applicable
LED	LED LIGHTING	1	
S	LIGHT SWITCH	1	
B	THERMOSTAT	1	
M	COMPRESSOR	1	
K	STARTING DEVICE – PTC	1	
K1	OVERLOAD PROTECTOR	1	
C _R	RUN CAPACITOR	1*	*) where applicable