



La solution assistance

# ERROR CODE



La solution assistance



**Français**

**Page de**

**2**

**à**

**2**



**English**

**Page**

**3**

**to**

**3**



**Español**

**página**

**4**

**a**

**4**



**Português**

**página**

**5**

**a**

**5**



**Polski**

**strona**

**6**

**do**

**6**



**Magyar**

**oldal**

**7**

**és**

**7**



**Română**

**pagina**

**8**

**și**

**8**



**Deutsch**

**Seite von**

**9**

**und**

**9**

*La solution assistance*

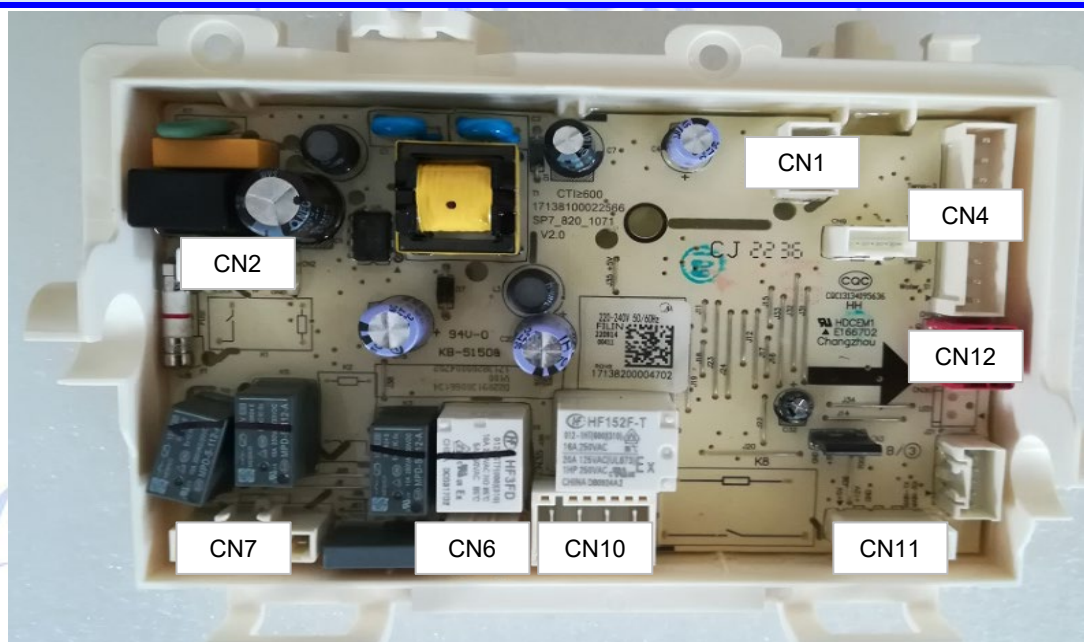
| CODE ERREUR | Description              | Origine possible et controles                       |
|-------------|--------------------------|---|
| <b>FUL</b>  | Bac plein                | Vérifier: Pompe d relevage, ILS du flotteur         |
| <b>E32</b>  | Défaut sonde humidité    | Vérifier connectique sonde humidité                 |
| <b>E33</b>  | Défaut sonde température | Vérifier connectique et valeur sonde de température |

### VALEURS COMPOSANTS

| Valeurs sonde de températures |               |      |               |
|-------------------------------|---------------|------|---------------|
| T( )                          | R(kΩ)         | T( ) | R(kΩ)         |
| 10                            | <b>9.6774</b> | 60   | <b>1.2040</b> |
| 15                            | <b>7.6313</b> | 65   | <b>1.0078</b> |
| 20                            | <b>6.0571</b> | 70   | <b>0.8474</b> |
| 25                            | <b>4.8385</b> | 75   | <b>0.7158</b> |
| 30                            | <b>3.8990</b> | 80   | <b>0.6071</b> |
| 35                            | <b>3.1613</b> | 85   | <b>0.5171</b> |
| 40                            | <b>2.5782</b> | 90   | <b>0.4432</b> |
| 45                            | <b>2.1146</b> | 95   | <b>0.3812</b> |
| 50                            | <b>1.7437</b> | 100  | <b>0.3289</b> |
| 55                            | <b>1.4453</b> |      |               |

| Valeurs composant        |                                      |
|--------------------------|--------------------------------------|
| Moteur                   | 26 Omhs (R-O)<br>26,5 Omhs (V-O)     |
| Condensateur moteur      | 7,5 µF                               |
| Compresseur              | 11,37 Omhs (C-R)<br>10,13 Ohms (C-S) |
| Condensateur compresseur | 16 µF                                |
| Pompe de relevage        | 800 Ohms                             |

### CABLAGE PLATINE



| Detail connectique |                                  |      |                                |
|--------------------|----------------------------------|------|--------------------------------|
| CN1                | Sonde humidité                   | CN7  | Phase / Pompe / Ventilateur    |
| CN2                | Neutre                           | CN10 | Compresseur                    |
| CN4                | ILS Flotteur / Sonde 1 / Sonde 2 | CN11 | Afficheur                      |
| CN6                | Moteur                           | CN12 | Interrupteur porte / Eclairage |

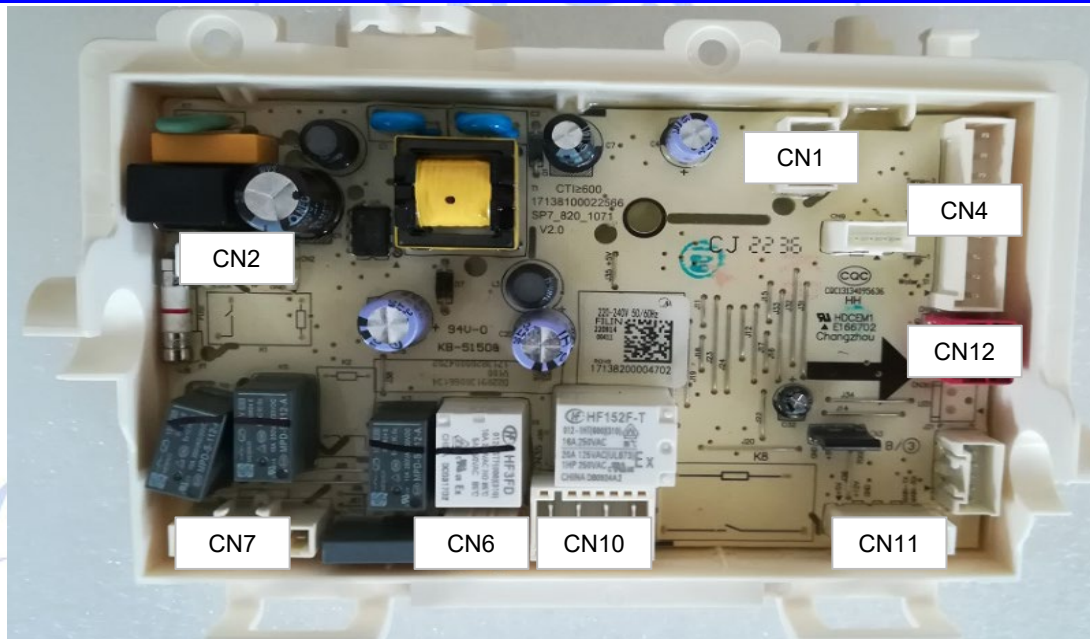
| ERROR CODE | Description              | Possible origin and controls                   |
|------------|--------------------------|--|
| <b>FUL</b> | Bin full                 | Check: Lift pump, float reed                   |
| <b>E32</b> | Humidity sensor fault    | Check the humidity sensor connection           |
| <b>E33</b> | Temperature sensor fault | Check connections and temperature sensor value |

### COMPONENT VALUES

| Temperature probe values |               |      |               |
|--------------------------|---------------|------|---------------|
| T( )                     | R(kΩ)         | T( ) | R(kΩ)         |
| 10                       | <b>9.6774</b> | 60   | <b>1.2040</b> |
| 15                       | <b>7.6313</b> | 65   | <b>1.0078</b> |
| 20                       | <b>6.0571</b> | 70   | <b>0.8474</b> |
| 25                       | <b>4.8385</b> | 75   | <b>0.7158</b> |
| 30                       | <b>3.8990</b> | 80   | <b>0.6071</b> |
| 35                       | <b>3.1613</b> | 85   | <b>0.5171</b> |
| 40                       | <b>2.5782</b> | 90   | <b>0.4432</b> |
| 45                       | <b>2.1146</b> | 95   | <b>0.3812</b> |
| 50                       | <b>1.7437</b> | 100  | <b>0.3289</b> |
| 55                       | <b>1.4453</b> |      |               |

| Component values     |                                      |
|----------------------|--------------------------------------|
| Engine               | 26 Omhs (R-O)<br>26,5 Omhs (V-O)     |
| motor capacitor      | 7,5 μF                               |
| Compressor           | 11,37 Omhs (C-R)<br>10,13 Ohms (C-S) |
| compressor capacitor | 16 μF                                |
| Lift pump            | 800 Ohms                             |

### PANEL WIRING



| Connection detail |                               |      |                        |
|-------------------|-------------------------------|------|------------------------|
| CN1               | Humidity probe                | CN7  | Phase / Pump / Fan     |
| CN2               | Neutral                       | CN10 | Compressor             |
| CN4               | ILS Float / Probe 1 / Probe 2 | CN11 | Display                |
| CN6               | Engine                        | CN12 | Door switch / Lighting |

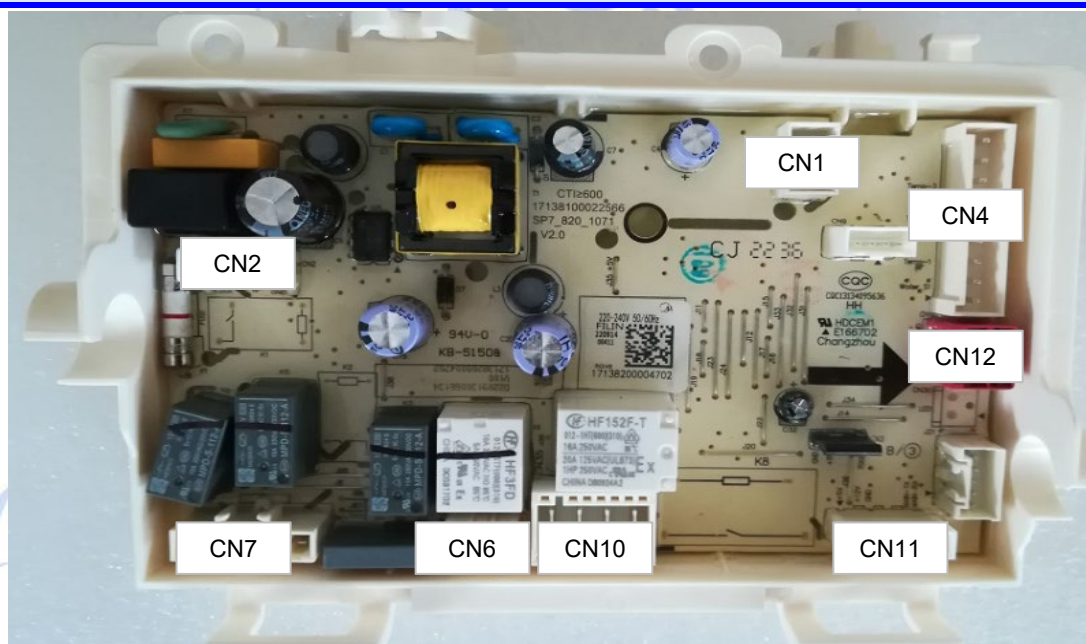
| CÓDIGO DE ERROR | Descripción                     | Posible origen y controles                             |
|-----------------|---------------------------------|--|
| <b>FUL</b>      | papelera llena                  | Revisar: bomba de elevación, caña flotante             |
| <b>E32</b>      | Fallo del sensor de humedad     | Comprobar la conexión del sensor de humedad            |
| <b>E33</b>      | Falla del sensor de temperatura | Comprobar conexiones y valor del sensor de temperatura |

### VALORES DE LOS COMPONENTES

| Valores de la sonda de temperatura |        |      |        |
|------------------------------------|--------|------|--------|
| T( )                               | R(kΩ)  | T( ) | R(kΩ)  |
| 10                                 | 9.6774 | 60   | 1.2040 |
| 15                                 | 7.6313 | 65   | 1.0078 |
| 20                                 | 6.0571 | 70   | 0.8474 |
| 25                                 | 4.8385 | 75   | 0.7158 |
| 30                                 | 3.8990 | 80   | 0.6071 |
| 35                                 | 3.1613 | 85   | 0.5171 |
| 40                                 | 2.5782 | 90   | 0.4432 |
| 45                                 | 2.1146 | 95   | 0.3812 |
| 50                                 | 1.7437 | 100  | 0.3289 |
| 55                                 | 1.4453 |      |        |

| Valores de los componentes |                                      |
|----------------------------|--------------------------------------|
| Motor                      | 26 Omhs (R-O)<br>26,5 Omhs (V-O)     |
| condensador de motor       | 7,5 µF                               |
| Compresor                  | 11,37 Omhs (C-R)<br>10,13 Ohms (C-S) |
| condensador del compresor  | 16 µF                                |
| Bomba de elevación         | 800 Ohms                             |

### CABLEADO DE PANELES



| Detalle de conexión |                                  |      |                                     |
|---------------------|----------------------------------|------|-------------------------------------|
| CN1                 | sonda de humedad                 | CN7  | Fase / Bomba / Ventilador           |
| CN2                 | neutral                          | CN10 | Compresor                           |
| CN4                 | Flotador ILS / Sonda 1 / Sonda 2 | CN11 | Mostrar                             |
| CN6                 | Motor                            | CN12 | Interruptor de puerta / Iluminación |



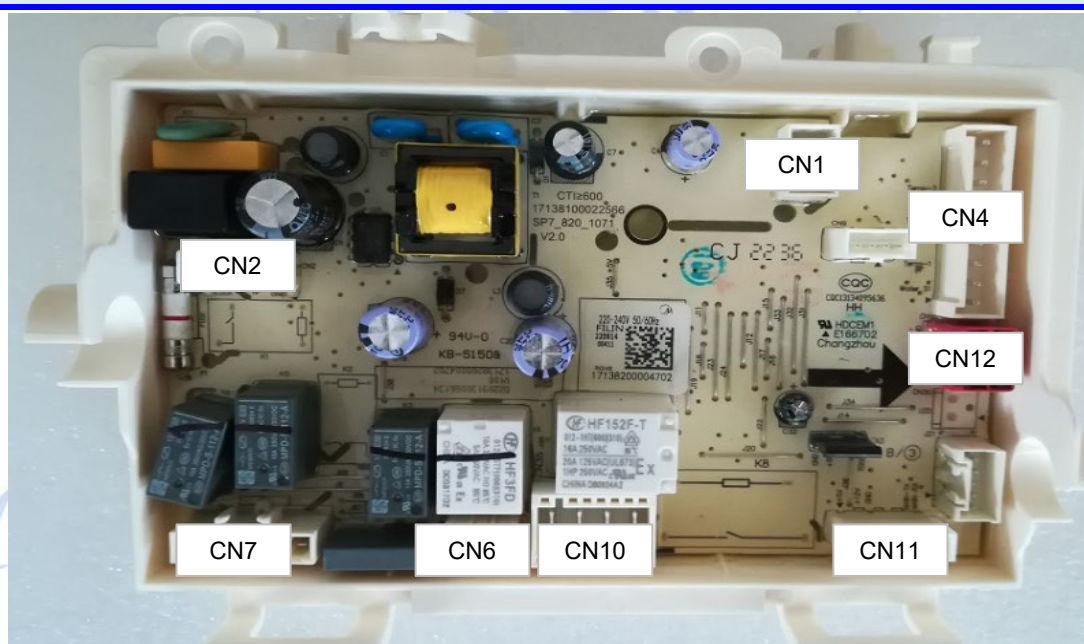
| ERRO DE CÓDIGO | Descrição                      | Possível origem e controles                              |
|----------------|--------------------------------|--|
| <b>FUL</b>     | Caixa cheia                    | Verifique: Levantar a bomba, flutuar palheta             |
| <b>E32</b>     | Falha no sensor de umidade     | Verifique a conexão do sensor de umidade                 |
| <b>E33</b>     | Falha no sensor de temperatura | Verifique as conexões e o valor do sensor de temperatura |

### VALORES DOS COMPONENTES

| Valores da sonda de temperatura |        |      |        |
|---------------------------------|--------|------|--------|
| T( )                            | R(kΩ)  | T( ) | R(kΩ)  |
| 10                              | 9.6774 | 60   | 1.2040 |
| 15                              | 7.6313 | 65   | 1,0078 |
| 20                              | 6.0571 | 70   | 0,8474 |
| 25                              | 4.8385 | 75   | 0,7158 |
| 30                              | 3,8990 | 80   | 0,6071 |
| 35                              | 3.1613 | 85   | 0,5171 |
| 40                              | 2.5782 | 90   | 0,4432 |
| 45                              | 2.1146 | 95   | 0,3812 |
| 50                              | 1,7437 | 100  | 0,3289 |
| 55                              | 1.4453 |      |        |

| valores de componentes    |                                      |
|---------------------------|--------------------------------------|
| Motor                     | 26 Omhs (R-O)<br>26,5 Omhs (V-O)     |
| capacitor de motor        | 7,5 µF                               |
| Compressor                | 11,37 Omhs (C-R)<br>10,13 Ohms (C-S) |
| condensador do compressor | 16 µF                                |
| Bomba de elevação         | 800 Ohms                             |

### FIAÇÃO DO PAINEL



| Detalhe da conexão |                                   |      |                                   |
|--------------------|-----------------------------------|------|-----------------------------------|
| CN1                | sonda de umidade                  | CN7  | Fase / Bomba / Ventilador         |
| CN2                | Neutro                            | CN10 | Compressor                        |
| CN4                | Flutuador ILS / Sonda 1 / Sonda 2 | CN11 | Mostrar                           |
| CN6                | Motor                             | CN12 | Interruptor de porta / Iluminação |

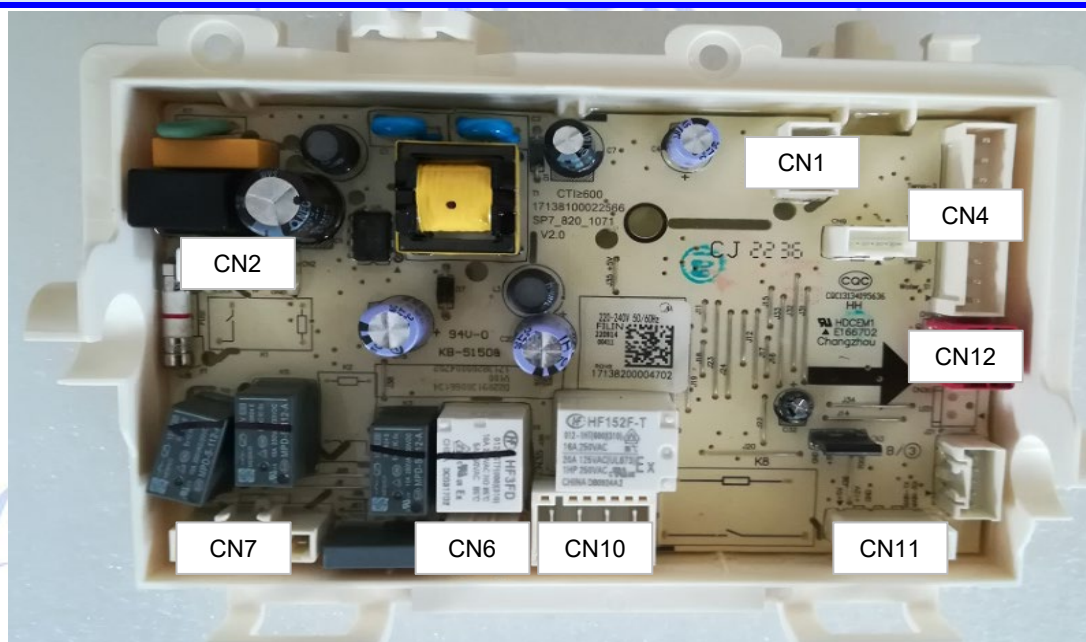
| KOD BŁĘDU  | Opis                      | Możliwe pochodzenie i kontrole                    |
|------------|---------------------------|---|
| <b>FUL</b> | Kosz pełny                | Sprawdź: Podnieś pompę, pływak trzcinowy          |
| <b>E32</b> | Błąd czujnika wilgotności | Sprawdź podłączenie czujnika wilgotności          |
| <b>E33</b> | Błąd czujnika temperatury | Sprawdź połączenia i wartość czujnika temperatury |

### WARTOŚCI SKŁADNIKÓW

| Wartości sondy temperatury |        |      |        |
|----------------------------|--------|------|--------|
| T( )                       | R(kΩ)  | T( ) | R(kΩ)  |
| 10                         | 9.6774 | 60   | 1.2040 |
| 15                         | 7.6313 | 65   | 1.0078 |
| 20                         | 6.0571 | 70   | 0,8474 |
| 25                         | 4,8385 | 75   | 0,7158 |
| 30                         | 3,8990 | 80   | 0,6071 |
| 35                         | 3.1613 | 85   | 0,5171 |
| 40                         | 2,5782 | 90   | 0,4432 |
| 45                         | 2.1146 | 95   | 0,3812 |
| 50                         | 1.7437 | 100  | 0,3289 |
| 55                         | 1.4453 |      |        |

| Wartości składników   |                                      |
|-----------------------|--------------------------------------|
| Silnik                | 26 Omhs (R-O)<br>26,5 Omhs (V-O)     |
| kondensator silnika   | 7,5 μF                               |
| Kompresor             | 11,37 Omhs (C-R)<br>10,13 Ohms (C-S) |
| kondensator sprężarki | 16 μF                                |
| Pompa podnosząca      | 800 Ohms                             |

### OKABLOWANIE PANELU



#### Szczegóły połączenia

|     |                               |      |                                 |
|-----|-------------------------------|------|---------------------------------|
| CN1 | Sonda wilgotności             | CN7  | Faza / Pompa / Wentylator       |
| CN2 | Neutralny                     | CN10 | Kompresor                       |
| CN4 | ILS Float / Sonda 1 / Sonda 2 | CN11 | Wyświetlacz                     |
| CN6 | Silnik                        | CN12 | Przełącznik drzwi / oświetlenie |

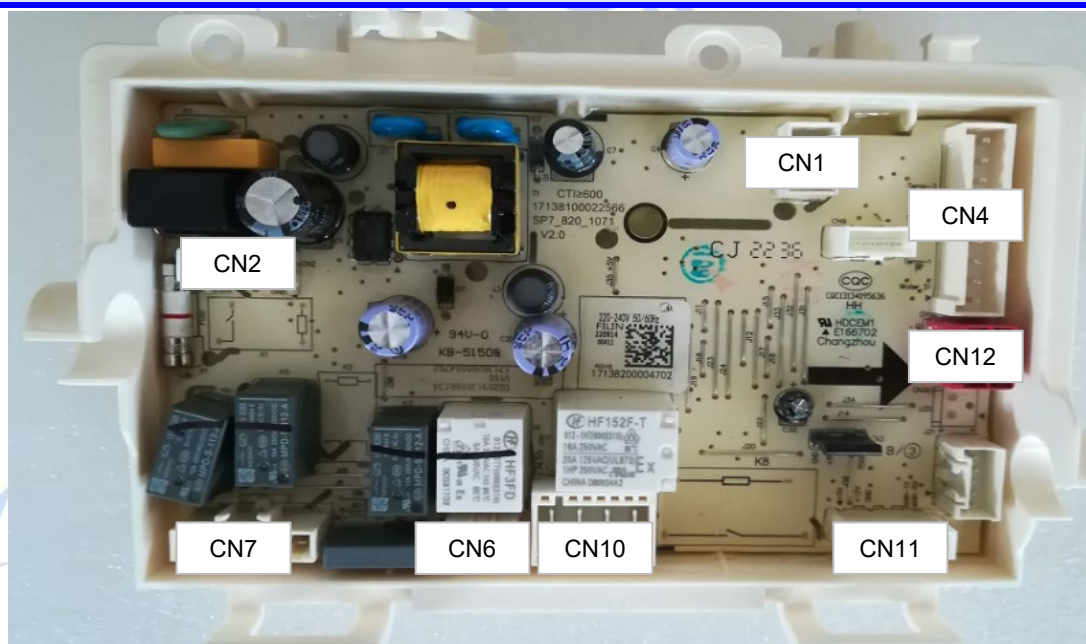
| HIBAKÓD    | Leírás                         | Lehetséges eredet és vezérlések                                 |
|------------|--------------------------------|---|
| <b>FUL</b> | A tartály tele                 | Ellenőrzés: Emelő szivattyú, úszó nád                           |
| <b>E32</b> | A páratartalom érzékelő hibája | Ellenőrizze a páratartalom-érzékelő csatlakozását               |
| <b>E33</b> | Hőmérséklet érzékelő hiba      | Ellenőrizze a csatlakozásokat és a hőmérséklet-érzékelő értékét |

## KOMPONENS ERTEKEK

| Hőmérséklet-szonda értékek |        |      |        |
|----------------------------|--------|------|--------|
| T( )                       | R(kΩ)  | T( ) | R(kΩ)  |
| 10                         | 9,6774 | 60   | 1.2040 |
| 15                         | 7.6313 | 65   | 1,0078 |
| 20                         | 6,0571 | 70   | 0,8474 |
| 25                         | 4,8385 | 75   | 0,7158 |
| 30                         | 3,8990 | 80   | 0,6071 |
| 35                         | 3.1613 | 85   | 0,5171 |
| 40                         | 2,5782 | 90   | 0,4432 |
| 45                         | 2.1146 | 95   | 0,3812 |
| 50                         | 1,7437 | 100  | 0,3289 |
| 55                         | 1,4453 |      |        |

| Komponensértékek        |                                      |
|-------------------------|--------------------------------------|
| Motor                   | 26 Omhs (R-O)<br>26,5 Omhs (V-O)     |
| motor kondenzátor       | 7,5 µF                               |
| Kompresszor             | 11,37 Omhs (C-R)<br>10,13 Ohms (C-S) |
| kompresszor kondenzátor | 16 µF                                |
| Emelő szivattyú         | 800 Ohms                             |

## PANEL KEZELESE



### Csatlakozási részlet

|     |                              |      |                                |
|-----|------------------------------|------|--------------------------------|
| CN1 | Páratartalom szonda          | CN7  | Fázis / Szivattyú / Ventilátor |
| CN2 | Semleges                     | CN10 | Kompresszor                    |
| CN4 | ILS úszó / Probe 1 / Probe 2 | CN11 | Kijelző                        |
| CN6 | Motor                        | CN12 | Ajtókapcsoló / Világítás       |



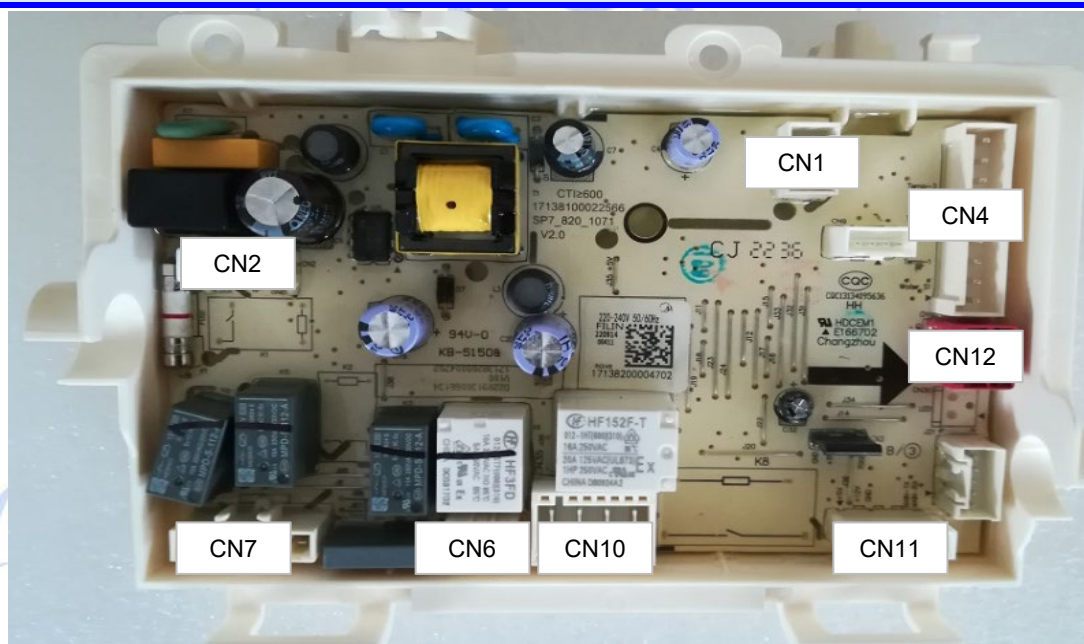
| COD DE EROARE | Descriere                         | Origine posibilă și controale                                |
|---------------|-----------------------------------|--|
| <b>FUL</b>    | Bin plin                          | Verificați: pompa de ridicare, lamelă plutitoare             |
| <b>E32</b>    | Eroare la senzorul de umiditate   | Verificați conexiunea senzorului de umiditate                |
| <b>E33</b>    | Eroare la senzorul de temperatură | Verificați conexiunile și valoarea senzorului de temperatură |

### VALORILE COMPONENTELOR

| Valorile sondei de temperatură |        |      |        |
|--------------------------------|--------|------|--------|
| T( )                           | R(kΩ)  | T( ) | R(kΩ)  |
| 10                             | 9,6774 | 60   | 1.2040 |
| 15                             | 7,6313 | 65   | 1,0078 |
| 20                             | 6,0571 | 70   | 0,8474 |
| 25                             | 4,8385 | 75   | 0,7158 |
| 30                             | 3,8990 | 80   | 0,6071 |
| 35                             | 3,1613 | 85   | 0,5171 |
| 40                             | 2,5782 | 90   | 0,4432 |
| 45                             | 2,1146 | 95   | 0,3812 |
| 50                             | 1,7437 | 100  | 0,3289 |
| 55                             | 1,4453 |      |        |

| Valorile componentelor |                                      |
|------------------------|--------------------------------------|
| Motor                  | 26 Omhs (R-O)<br>26,5 Omhs (V-O)     |
| condensator motor      | 7,5 μF                               |
| Compresor              | 11,37 Omhs (C-R)<br>10,13 Ohms (C-S) |
| condensator compresor  | 16 μF                                |
| Ridicați pompa         | 800 Ohms                             |

### CABLAJ PANOUL



| Detaliu conectare |                               |      |                              |
|-------------------|-------------------------------|------|------------------------------|
| CN1               | Sonda de umiditate            | CN7  | Faza / Pompa / Ventilator    |
| CN2               | Neutru                        | CN10 | Compresor                    |
| CN4               | ILS Float / Sondă 1 / Sondă 2 | CN11 | Afișa                        |
| CN6               | Motor                         | CN12 | Comutator de usa / Iluminare |



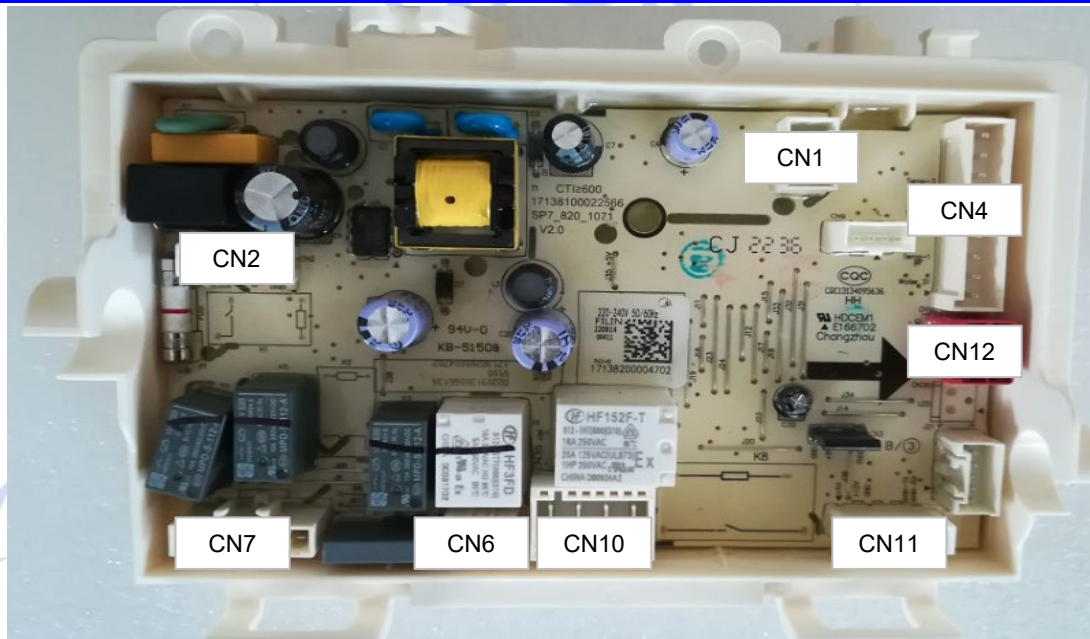
| FEHLERCODE | Beschreibung                  | Mögliche Herkunft und Kontrollen                                 |
|------------|-------------------------------|--|
| <b>FUL</b> | Behälter voll                 | Prüfen: Pumpe anheben, Membran schwimmen lassen                  |
| <b>E32</b> | Fehler am Feuchtigkeitssensor | Überprüfen Sie den Anschluss des Feuchtigkeitssensors            |
| <b>E33</b> | Fehler am Temperatursensor    | Überprüfen Sie die Anschlüsse und den Wert des Temperatursensors |

## KOMPONENTENWERTE

| Temperaturfühlerwerte |        |      |        |
|-----------------------|--------|------|--------|
| T( )                  | R(kΩ)  | T( ) | R(kΩ)  |
| 10                    | 9.6774 | 60   | 1.2040 |
| 15                    | 7.6313 | 65   | 1.0078 |
| 20                    | 6.0571 | 70   | 0,8474 |
| 25                    | 4,8385 | 75   | 0,7158 |
| 30                    | 3,8990 | 80   | 0,6071 |
| 35                    | 3.1613 | 85   | 0,5171 |
| 40                    | 2,5782 | 90   | 0,4432 |
| 45                    | 2.1146 | 95   | 0,3812 |
| 50                    | 1.7437 | 100  | 0,3289 |
| 55                    | 1.4453 |      |        |

| Komponentenwerte      |                                      |
|-----------------------|--------------------------------------|
| Motor                 | 26 Omhs (R-O)<br>26,5 Omhs (V-O)     |
| Motorkondensator      | 7,5 µF                               |
| Kompressor            | 11,37 Omhs (C-R)<br>10,13 Ohms (C-S) |
| Kompressorkondensator | 16 µF                                |
| Hebepumpe             | 800 Ohms                             |

## PANEL-VERKABELUNG



| Verbindungsdetail |                                   |      |                           |
|-------------------|-----------------------------------|------|---------------------------|
| CN1               | Feuchtigkeitssonde                | CN7  | Phase / Pumpe / Lüfter    |
| CN2               | Neutral                           | CN10 | Kompressor                |
| CN4               | ILS-Schwimmer / Sonde 1 / Sonde 2 | CN11 | Anzeige                   |
| CN6               | Motor                             | CN12 | Türschalter / Beleuchtung |