

# Qilive



## Oil free heater

Q.6117

- FR** Radiateur sans huile
- ES** Calefactor sin aceite
- PT** Aquecedor sem óleo
- PL** Grzejnik bezolejowy
- HU** Olajmentes fűtőberendezés
- RO** Încălzitor fără ulei
- RU** Безмасляный обогреватель
- UA** Безмасляний обігрівач

<b>EN</b>	<b>User manual</b> This product is only suitable for well insulated spaces or occasional use.	P. 4
<b>FR</b>	<b>Manuel d'utilisation</b> Ce produit doit uniquement être utilisé dans des endroits bien isolés et de façon occasionnelle.	P. 14
<b>ES</b>	<b>Manual del usuario</b> Este producto solo es adecuado para espacios bien aislados o para un uso ocasional.	P. 24
<b>PT</b>	<b>Manual do utilizador</b> Este produto só é adequado a espaços bem isolados ou para uma utilização ocasional.	P. 34
<b>PL</b>	<b>Instrukcja użytkownika</b> Ten produkt jest odpowiedni tylko do użytku okazjonalnego lub w miejscach o dobrej izolacji.	S. 44
<b>HU</b>	<b>Használati útmutató</b> Ez a termék csak jól földelt helyeken vagy időszakos használatra készült.	54. o.
<b>RO</b>	<b>Manual de utilizare</b> Acest produs este adecvat numai pentru spații bine izolate sau pentru utilizare ocazională.	P. 64
<b>RU</b>	<b>Руководство пользователя</b> Это устройство подходит для эксплуатации только в хорошо изолированных помещениях либо для нерегулярного использования.	C. 74
<b>UA</b>	<b>Посібник користувача</b> Цей виріб підходить тільки для добре ізольованих приміщень або для нечастого використання.	C. 86

EN

FR

ES

PT

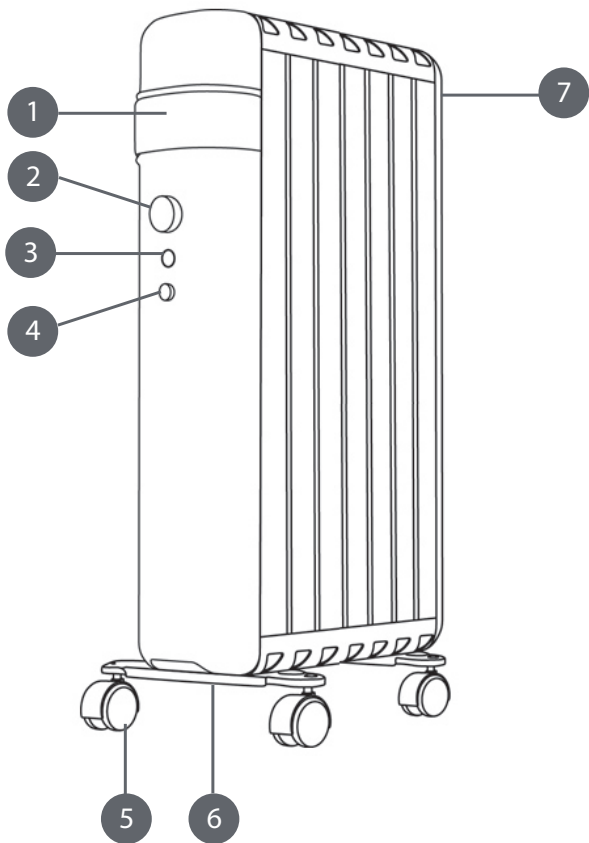
PL

HU

RO

RU

UA



# TABLE OF CONTENTS

1. SAFETY INSTRUCTIONS	P. 4
1. TECHNICAL SPECIFICATIONS	P. 6
2. PACKAGE CONTENTS	P. 7
3. PRODUCT DESCRIPTION	P. 8
4. USING THE PRODUCT	P. 8
5. MAINTENANCE AND CLEANING	P. 11
6. GUARANTEES AND LIMITATIONS OF LIABILITY	P. 12
7. DISPOSAL INSTRUCTIONS	P. 13

## 1. SAFETY INSTRUCTIONS

Before using this product, carefully read these instructions and keep the user manual for future reference.



**WARNING!**  
Observe all  
safety guidance



Read manual  
before use



**WARNING!**  
Do not cover  
product

1. The heater is designed for light domestic use only. It is not intended for heavy-duty, commercial or industrial use, and is not suitable for use outdoors.
2. Do not use this appliance to dry clothes, socks, shoes, and other similar items.
3. This appliance can be used by children aged from 8 years and above and persons with reduced physical, sensory or mental capabilities or lack of experience and knowledge if they have been given supervision or instruction concerning use of the appliance in a safe way and understand the hazards involved. Children shall not play with the appliance. Cleaning and user maintenance shall not be made

by children without supervision. Children of less than 3 years should be kept away unless continuously supervised.

4. Children aged from 3 years and less than 8 years shall only switch on/off the appliance provided that it has been placed or installed in its intended normal operating position and they have been given supervision or instruction concerning use of the appliance in a safe way and understand the hazards involved. Children aged from 3 years and less than 8 years shall not plug in, regulate and clean the appliance or perform user maintenance.
5. **CAUTION:** Some parts of this product can become very hot and cause burns. Particular attention has to be given where children and vulnerable people are present.
6. **WARNING:** Do not use this heater in small rooms when they are occupied by persons not capable of leaving the room on their own, unless constant supervision is provided.
7. If the power cord is damaged, it must be replaced by the manufacturer, its service agent or similarly qualified persons in order to avoid a hazard.
8. **CAUTION:** In order to avoid a hazard due to inadvertent resetting of the thermal cutout, this appliance must not be supplied through an external switching device, such as a timer, or connected to a circuit that is regularly switched on and off.
9. **WARNING:** In order to avoid overheating, do not cover the appliance.
10. The heater must not be located immediately below a socket-outlet.
11. **WARNING:** To reduce the risk of fire, keep textiles, curtains, or any other flammable material a minimum distance of 1 m from the air outlet.
12. Do not use this appliance in the immediate surroundings of a bath, a shower or a swimming

pool. Never locate this appliance where it may fall into a bathtub or another water container.

13. Always use this heater on a horizontal and stable surface.
14. Do not use this heater if it has been dropped.
15. Do not use this heater if there are visible signs of damage to the heater.
16. Always unplug the appliance when it is not in use.

## 2. TECHNICAL SPECIFICATIONS

Power supply	230 V~, 50-60 Hz
Rated power	1500 W
Power modes	3
Thermostat (Y/N)	Y
Timer (Y/N)	Y
Turbo fan (Y/N)	N
Net weight	4.8kg
Dimensions (W x D x H)	375*245*635mm

## 2.1 Information requirements for electric local space heaters

Model identifier(s): GBXE01-7					
Item	Symbol	Value	Unit	Item	Unit
<b>Heat output</b>				<b>Type of heat input, for electric storage local space heaters only (select one)</b>	
Nominal heat output	$P_{nom}$	1.5	kW	manual heat charge control, with integrated thermostat	Not applicable
Minimum heat output (indicative)	$P_{min}$	0.7	kW	manual heat charge control with room and/or outdoor temperature feedback	Not applicable
Maximum continuous heat output	$P_{max,c}$	1.5	kW	electronic heat charge control with room and/or outdoor temperature feedback	Not applicable
<b>Auxiliary electricity consumption</b>				fan assisted heat output	
At nominal heat output	$e_{l,max}$	0.000	kW	<b>Type of heat output/room temperature control (select one)</b>	
At minimum heat output	$e_{l,min}$	0.000	kW	single stage heat output, no room temperature control	No
In standby mode	$e_{l,SB}$	0.0007	kW	two or more manual stages, no room temperature control	No
				with mechanic thermostat room temperature control	No
				with electronic room temperature control	No
				electronic room temperature control plus day timer	Yes
				electronic room temperature control plus week timer	No
				<b>Other control options (multiple selections possible)</b>	
				room temperature control, with presence detection	No
				room temperature control, with open window detection	No
				with distance control option	No
				with adaptive start control	No
				with working time limitation	No
				with black bulb sensor	No
Contact details		Auchan – SAS OIA, 200, rue de la Recherche, Le Colibri BP 169, 59650 Villeneuve d'Ascq, France - <a href="http://www.auchan-retail.com/contact">www.auchan-retail.com/contact</a>			

### 3. PACKAGE CONTENTS

- 1 x Oil-free heater
- 2 x Foot plates with 4 castors attached
- 1 x User manual

### 4. PRODUCT DESCRIPTION

#### 4.1 Part list

- 1. LED display
- 2. MODE knob
- 3. ECO mode button
- 4. Power button
- 5. Castor
- 6. Foot plate
- 7. Handle

### 5. USING THE PRODUCT

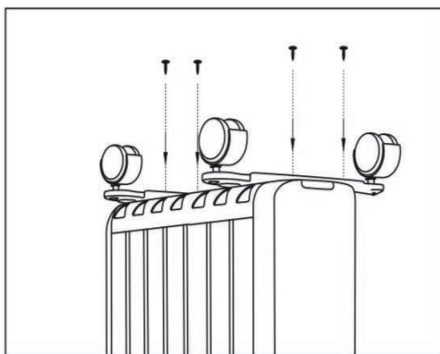
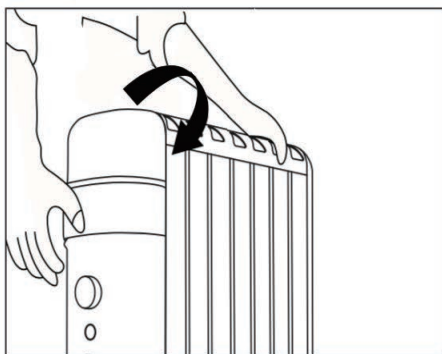
#### 5.1 Assembly instructions

**WARNING:** The heater must only be operated with the castors fitted and in an upright position.

Unbox the heater, being careful to remove all parts from plastic bags and remaining packaging. Please save the carton for off-season storage.

This heater is packed with 4 castors that are pre-assembled on 2 separate foot plates in the box. To install the foot plates onto the heater, follow the steps and diagrams below:

1. Turn the heater upside down on a carpet or another soft surface to avoid damage.
2. Install the 2 foot plates onto the bottom at both ends of the heater housing. Line up holes of the foot plates with holes on the bottom of the heater housing at both ends, and secure the foot plates using the 4 provided screws.
3. Return the heater to the correct orientation so it rests on the castors.



#### 5.2 Positioning the heater

This heater is intended for use only on the floor.

- Always place the heater on a flat and stable surface. Damage may occur if it is placed on a slope.
- This heater radiates heat in all directions, so always leave ample space around it.



- Do not place this heater too close to a wall or any furniture.
- Keep all combustible materials such as furniture, pillows, bedding, paper, clothes and curtains at least 1 meter away from this heater.
- Do not place anything on top of this heater.
- Do not use this heater in wet or moist locations, for example, bathrooms and laundry areas, or in areas where paint or other flammable or volatile liquids are used or stored.

### 5.3 Operating the heater

Before plugging in the heater, check to ensure:

- Your electricity supply matches that shown on the rating label of the appliance. The appliance must only be used as rated.
- The electrical outlet you will use has an earth facility and is not used by other appliances.
- You will plug the appliance directly into a wall outlet, not an extension cord or relocatable power strip.
- The power cord and plug are not damaged.
- When plugging and unplugging, always hold the plug, not the cord.

After you have plugged in the heater, follow the instructions below to start using it.

#### 5.3.1 Powering on/off the heater

To turn the heater on or off, press the power button.

- Once turned on, the LED display lights up and indicates the default or last set temperature in Celsius.
- The set temperature is displayed using a 3-digit number with one decimal place unless the heater is in ECO mode. For instance, a temperature of 20.5 degrees is displayed as 20s.
- Once turned on, the heating element starts working and radiating heat using the last used settings.
- After turning off, the heater will retain all settings such as temperature and power mode. The timer setting will not be retained.

#### 5.3.2 Adjusting the temperature

When the heater is displaying a temperature, turn the MODE knob to adjust the set temperature from 5 to 35°C.

- In non-ECO modes, the set temperature changes in 0.5°C increments/decrements.
- In ECO mode, the set temperature change in 1°C increment/decrement.
- When the ambient temperature reaches the set temperature, the heating element will stop working.
- When the ambient temperature is lower than the set temperature, the heating element will start working again.

#### Notes:

- To adjust the set temperature while the timer is running, turn the MODE knob to have the set temperature displayed and continue turning the knob while the set temperature is blinking.
- After the heater turns off, the heater will continue radiating heat for a while because of the unique properties of its metal heating element.

#### 5.3.3 Setting the power mode

You can set the heater to operate in 3 power modes (H1, H2 and H3) to suit different heating requirements. See the table below for the power ratings for these power modes.

H1	H2	H3
750 W	750 W	1500 W

To change the power mode, follow the steps below:

1. Press the MODE knob. The heater will display the current power mode (H1/H2/H3) on the LED display for 3 seconds.
2. While H1/H2/H3 is displayed, turn the MODE knob to cycle through H1, H2 and H3.
3. When your desired power mode appears, press the MODE knob or wait 3 seconds to activate the new power mode.

You can press the MODE knob to view the current power mode at any time.

### 5.3.4 Using ECO mode

The heater can be set to operate in ECO (economical) mode. In this mode, the heater adjusts its working mode automatically based on the ambient temperature to lower energy consumption.

To put the heater into ECO mode, press the ECO mode button.

- In ECO mode, the set temperature is displayed using a 2-digit number followed by the capital letter **E**. For instance, if the set temperature is 20°C, you will see **20E** displayed.

### 5.3.5 Using anti-frost mode

The heater can be set to operate in anti-frost mode. This mode is useful in areas such as garages to prevent frost damage. In this mode, the heating element will cycle on and off to maintain an ambient temperature of approximately 5°C to help protect against frost.

To put the heater into anti-frost mode, turn the MODE knob all the way anticlockwise until you see **F<sub>r</sub>** on the LED display.

### 5.3.6 Using the timer

You can set the timer to allow the heater to work for only a preset number of hours (1 to 24).

To set the timer, follow the steps below:

1. Press and hold the MODE knob for 3 seconds. The heater will display the preset number of hours (00<sub>H</sub>) on the LED display and blink the time unit (H) for 3 seconds.
2. While the preset number of hours is displayed, turn the MODE knob to cycle through the numbers of hours (0 to 24).
3. When your desired number of hours (1 to 24) appears, press the MODE knob or wait 3 seconds to start the timer.

#### Tips:

- After you start the timer, the heater displays the preset number of hours (1 to 24) and continues to work using the previous settings. **Note:** The heater will not display the remaining time of the timer.
- When the timer is running, you can change the heater's settings such as set temperature and power mode as described in the previous parts of this user manual. Changing those settings will not affect the timer.
- When the timer ends, the heater will automatically enter anti-frost mode.
- To end the timer immediately, press the power button or press and hold the MODE knob for 3 seconds.

### 5.3.7 Other features

#### Memory function

If you turn off and/or unplug the heater, the heater will return to its last status (working mode & temperature) once you turn it on again. **Note:** This is not applicable to the timer setting.

## Overheat protection

The heater is fitted with an overheat protection switch (thermal cutout) that will power off the heater automatically in case of overheating. If this occurs, follow the steps below to resolve the problem:

1. Unplug the heater and allow it to cool fully.
2. Check and remove the source of the overheating such as poor ventilation and item covering the heater.
3. Follow the operation instructions to restart the heater.
4. The heater should function normally again. If the problem persists, contact our Customer Service for advice.

## Tip-over protection

The heater is fitted with a tip-over switch that will cut off the power to the heater if it is tipped over. If this occurs, follow the steps below to resolve the problem:

1. Unplug the heater and allow it to cool fully.
2. Place the heater back on a flat, level and stable surface.
3. Inspect the heater for damage.
4. If and only if the heater is free from damage, follow the operation instructions to restart the heater.
5. The heater should function normally again. If the problem persists, contact our Customer Service for advice.

## Display auto-dimming

If no action is taken by the user, the LED display will go dim automatically after 60 seconds to lower energy consumption.

# 6. MAINTENANCE AND CLEANING

## Cleaning

Over time, dust can accumulate on and inside the heater, which can affect its performance. We recommend that you clean the heater at least once a month.

1. Turn the heater off and disconnect it from the power supply.
2. Wait until the heater has completely cooled down.
3. Wipe the surface of the unit with a soft damp cloth. Mild detergent can be used for any stubborn marks.

## Notes:

- Do not use harsh detergents, chemical cleaners or solvents as they may damage the surface finish of the heater.
- Never immerse the heater in water.
- Do not allow water or other liquids to run into the interior of the heater, as this could create a fire and/or electrical hazard.
- We also recommend the periodic cleaning of the heater by lightly running a vacuum cleaner nozzle over the guards to remove any dust or dirt that may have accumulated inside or on the heater.
- Ensure the heater is dry before plugging it in again.

**WARNING:** Do not attempt to open the casing of the heater at any time. There are no user-serviceable parts.

## Storage

If you will not use the heater for an extended period, after cleaning it, please:

1. Ensure you have turned the heater off and disconnected it from the power supply.
2. Cover the heater and store it upright in a dry location where it will not receive direct sunlight. **Note:** Prolonged exposure to direct sunlight will discolour the unit.

## 7. GUARANTEES AND LIMITATIONS OF LIABILITY

This product is guaranteed for a period of 36 months (including the legal guarantee of 24 months as defined by local law as well as a commercial guarantee of 12 additional months offered by the brand) from the date of purchase, against any failure resulting from a manufacturing or material defect.

This guarantee does not cover damage resulting from a faulty installation, incorrect use, or normal wear and tear. More specifically, the guarantee does not cover:

- Damage or problems caused by incorrect use, accidents, modifications or an electrical connection with the wrong current or voltage
- Products that have been modified or whose tamper evident seal or serial number has been damaged, altered, removed or rusted
- Replaceable batteries and accessories are guaranteed for 6 months
- Battery failure, as a result of over-charging or non-compliance with the safety instructions set out in the manual
- Cosmetic damage, including scratches, bumps and any other element
- Damage caused by any servicing operations carried out by non-authorised persons.
- Faults caused by normal wear and tear or the normal ageing of the product
- Software updates as a consequence of changes to network settings
- Product failure resulting from the use of third party software to modify, change or adapt the product as supplied
- Product failure resulting from its use without manufacturer-approved accessories
- Rusted products

The manufacturer is not liable for the loss of data stored on the hard drive. Similarly, the manufacturer is not required to check that SIM/SD cards have been removed from returned products.

Repaired or replaced products may include new and/or repackaged hardware and components.

### IMPLEMENTATION METHODS

To make a claim under the guarantee, please return your product to the reception desk of your local sales outlet with the proof of purchase (receipt, invoice, etc.) of the product and accessories supplied, along with the original packaging.

The following information will be required: date of purchase, model and serial or IMEI number (this information generally features on the product, the packaging or proof of purchase).

Failing this, you must return the product with all accessories needed for it to work properly (power cable, adapter etc.).

If your product is covered by the guarantee, the after-sales service will (within the bounds of the local legislation):

- Repair or replace the faulty parts
- Exchange the returned product with a product which has the same features or better and is equivalent in terms of performance.
- Refund the product at the price stated on the proof of purchase.

In the case of a repair covered by the guarantee, your guarantee period will be extended by 6 months. This period cannot be combined in the event of repeated failures.

## 8. DISPOSAL INSTRUCTIONS

The crossed out wheelie bin symbol below indicates that this product is not to be disposed of together with household waste. This product must be delivered to a recycling service or container for electrical appliances and electronic equipment. This is done to avoid health risks and prevent harm to the environment. Local businesses (or the environmental station in your neighbourhood) are required by law to accept and recycle such products, as a means of environmentally sound disposal.



# SOMMAIRE

FR

1. CONSIGNES DE SÉCURITÉ	P. 14
2. CARACTÉRISTIQUES TECHNIQUES	P. 16
3. CONTENU DE L'EMBALLAGE	P. 18
4. DESCRIPTION DU PRODUIT	P. 18
5. UTILISATION DE L'APPAREIL	P. 18
6. ENTRETIEN ET NETTOYAGE	P. 21
7. GARANTIE ET LIMITES DE RESPONSABILITÉ	P. 22
8. INSTRUCTIONS POUR L'ÉLIMINATION	P. 23

## 1. CONSIGNES DE SÉCURITÉ

Avant d'utiliser cet accessoire, lisez attentivement ces instructions et conservez la notice d'utilisation comme référence.



### **MISE EN GARDE!**

Respecter toutes les consignes de sécurité



Lire le manuel avant utilisation



### **MISE EN GARDE!**

Ne pas couvrir l'appareil

1. Le radiateur est destiné à un usage domestique simple uniquement. Il n'est pas conçu pour un usage résistant en milieu commercial ou industriel et ne convient pas en extérieur.
2. Ne pas utiliser l'appareil pour sécher des vêtements, chaussettes, chaussures ou autres articles de ce type.
3. Cet appareil peut être utilisé par des enfants âgés de 8 ans et plus ainsi que par des personnes dont les capacités physiques, sensorielles et mentales sont

réduites, ou des personnes dénuées d'expérience ou de connaissance, si ceux-ci ont bénéficié d'une surveillance ou d'instructions préalables concernant l'utilisation de l'appareil en toute sécurité et comprennent les dangers encourus. Les enfants ne doivent pas prendre cet accessoire pour un jouet. Le nettoyage et l'entretien usuel par l'utilisateur ne doivent pas être effectués par des enfants sans surveillance. Les enfants de moins de 3 ans doivent être tenus à l'écart, à moins qu'ils ne soient sous une surveillance continue.

4. Les enfants âgés entre 3 et 8 ans sont autorisés à allumer/éteindre l'appareil à condition que l'appareil soit placé ou installé dans sa position de fonctionnement normal prévue, et que les enfants soient sous surveillance ou reçoivent les instructions concernant l'utilisation sans danger de l'appareil et qu'ils comprennent les risques encourus. Les enfants âgés entre 3 et 8 ans ne doivent pas brancher, régler ou nettoyer l'appareil ni effectuer l'entretien par l'utilisateur.
5. **ATTENTION** : Certaines parties de cet appareil peuvent devenir très chaudes et provoquer des brûlures. Une attention accrue doit être accordée en présence d'enfants et de personnes vulnérables.
6. **MISE EN GARDE** : Ne pas utiliser ce radiateur dans des petites pièces occupées par des personnes qui ne sont pas en capacité de quitter la pièce toutes seules sauf si elles sont constamment sous surveillance.
7. Si le cordon d'alimentation est endommagé, le fabricant, son prestataire de service ou toute autre personne qualifiée doit le remplacer afin d'éviter tous les risques.
8. **ATTENTION** : Pour éviter tout risque lié à un redémarrage intempestif de l'interrupteur thermique, cet appareil ne doit pas être alimenté par un dispositif

externe, tel qu'une minuterie, ou branché à un circuit qui est régulièrement allumé et éteint.

FR

9. **MISE EN GARDE** : Ne pas couvrir l'appareil pour éviter toute surchauffe.
10. Le radiateur ne doit pas être placé directement sous une prise de courant.
11. **MISE EN GARDE** : Pour réduire le risque d'incendie, éloigner les textiles, les rideaux ou toute autre matière inflammable à une distance d'au moins 1 mètre de la sortie de l'air.
12. Ne pas utiliser cet appareil à proximité immédiate d'une baignoire, d'une douche ou d'une piscine. Éviter de placer cet appareil de manière à ce qu'il tombe dans une baignoire ou tout autre conteneur en eau.
13. Toujours utiliser ce radiateur sur une surface horizontale et stable.
14. N'utilisez pas ce radiateur s'il est tombé.
15. Ne pas utiliser ce radiateur s'il montre des signes visibles d'endommagement.
16. Débrancher toujours l'appareil lorsqu'il n'est pas utilisé.

## 2. CARACTÉRISTIQUES TECHNIQUES

Alimentation	230 V~, 50-60 Hz
Puissance assignée	1500 W
Modes d'alimentation	3
Thermostat (O/N)	O
Minuterie (O/N)	O
Ventilateur turbo (O/N)	N
Poids net	4.8kg
Dimensions (L x P x H)	375*245*635mm



## 2.1 Informations obligatoires pour les radiateurs électriques destinés à des petits espaces

Identifiant du modèle: GBXE01-7					
Article	Symbole	Valeur	Unité	Article	Unité
<b>Production de chaleur</b>				<b>Type d'apport de chaleur, pour les radiateurs électriques locaux à accumulation uniquement (en sélectionner un)</b>	
Production de chaleur nominale	$P_{nom}$	1,5	kW	commande manuelle de la charge thermique, avec thermostat intégré	Non applicable
Production de chaleur minimale (indicatif)	$P_{min}$	0,7	kW	commande manuelle de la charge thermique avec affichage de la température intérieure et/ou extérieure	Non applicable
Producteur de chaleur continue maximale	$P_{max,c}$	1,5	kW	commande électronique de la charge thermique avec affichage de la température intérieure et/ou extérieure	Non applicable
<b>Consommation électrique auxiliaire</b>				production de chaleur assistée par ventilation	
En production thermique nominale	$e_{l,max}$	0,000	kW	<b>Type de commande de température de la production thermique/ambiante (en sélectionner un)</b>	
En production thermique minimale	$e_{l,min}$	0,000	kW	production thermique à une étape, sans commande de la température ambiante	Non
En mode veille	$e_{l,SB}$	0.0007	kW	deux ou plusieurs étapes manuelles, sans commande de la température ambiante	Non
				avec commande de la température ambiante par thermostat mécanique	Non
				avec commande de la température ambiante électronique	Non
				commande de la température ambiante électronique plus minuterie journalière	Oui
				commande de la température ambiante électronique plus minuterie hebdomadaire	Non
				<b>Autres options de commande (plusieurs choix possibles)</b>	
				commande de la température ambiante, avec détection de présence	Non
				commande de la température ambiante, avec détection d'ouverture de fenêtre	Non
				avec option de commande à distance	Non
				avec commande de départ adaptée	Non
				avec limitation du temps d'utilisation	Non
				avec capteur lumière noire	Non
Informations de contact		Auchan – SAS OIA, 200, rue de la Recherche, Le Colibri BP 169, 59650 Villeneuve d'Ascq, France - <a href="http://www.auchan-retail.com/contact">www.auchan-retail.com/contact</a>			

FR

### 3. CONTENU DE L'EMBALLAGE

- 1 x radiateur sans huile
- 2 x repose-pieds avec 4 roulettes attachées
- 1 x Notice d'utilisation

FR

### 4. DESCRIPTION DU PRODUIT

#### 4.1 Description

- 1. Écran LED
- 2. Bouton MODE
- 3. Bouton mode ECO
- 4. Bouton d'alimentation
- 5. Roulette
- 6. Repose-pied
- 7. Poignée

### 5. UTILISATION DE L'APPAREIL

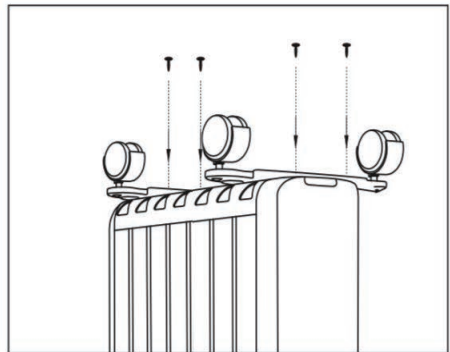
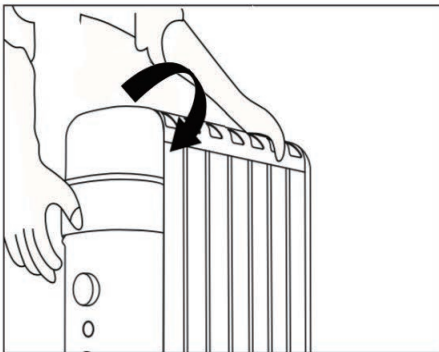
#### 5.1 Instructions de montage

**MISE EN GARDE :** Le radiateur doit être utilisé uniquement sur les roulettes fournies et en position verticale.

Déballer le radiateur, veiller à bien retirer toutes les pièces des emballages en plastique et des autres emballages. Bien conserver le carton pour le stocker en été.

Ce radiateur est livré avec 4 roulettes qui sont pré-assemblées sur deux repose-pieds séparés dans l'emballage. Pour installer les repose-pieds sur le radiateur, suivre les instructions et les diagrammes ci-dessous :

- 1. Retourner le radiateur à l'envers sur un tapis ou une autre surface douce pour éviter de l'endommager.
- 2. Installer les 2 repose-pieds à chaque extrémité du revêtement du radiateur. Aligner les trous des repose-pieds sur les trous formés en bas du radiateur à chaque extrémité, et sécuriser les repose-pieds avec les 4 vis fournies.
- 3. Remettre le radiateur en position verticale pour qu'il s'appuie sur les roulettes.



## 5.2 Position du radiateur

Ce radiateur est destiné à un usage sur le sol uniquement.

- Toujours placer le radiateur sur une surface plate et stable. Une position "penchée" peut occasionner des dommages.
- Ce radiateur émet de la chaleur dans toutes les directions, il est donc recommandé de laisser beaucoup d'espace aux alentours.
- Ne pas placer ce radiateur trop proche d'un mur ou d'un meuble.
- Éloigner toutes les matières inflammables telles que du mobilier, des oreillers, de la literie, du papier, des vêtements ou des rideaux à au moins 1 mètre de ce radiateur.
- Ne rien placer sur le dessus de ce radiateur.
- Ne pas utiliser ce radiateur dans des endroits mouillés ou humides, tels qu'une salle de bains et une buanderie ou des zones de stockage ou d'utilisation de peinture ou d'autres liquides inflammables ou volatiles.

## 5.3 Fonctionnement du radiateur

Avant de brancher le radiateur, procéder à ces vérifications :

- L'alimentation électrique correspond à celle indiquée sur l'étiquette énergétique de l'appareil. L'appareil ne doit être utilisé que selon l'alimentation électrique indiquée.
- La prise électrique que vous utiliserez a une prise à la terre et ne doit pas être utilisé par d'autres appareils.
- Brancher directement l'appareil dans la prise murale, ne pas utiliser de rallonge ou de barre d'alimentation repositionnable.
- Le cordon électrique et la prise ne sont pas endommagés.
- Toujours tenir la prise et pas le cordon pour brancher et débrancher.

Une fois que le radiateur est branché, suivre les instructions ci-dessous pour commencer à l'utiliser.

### 5.3.1 Démarrer/Arrêter le radiateur

Pour allumer ou éteindre le radiateur, appuyer sur le bouton Power.

- Une fois allumé, l'affichage LED s'allume et indique la température par défaut ou la dernière température sélectionnée en degrés Celsius.
- La température sélectionnée s'affiche par un numéro à 3 chiffres avec une décimale, sauf si le radiateur est en mode ECO. Par exemple, une température de 20,5 degrés apparaît comme cela : 20<sub>s</sub>.
- Une fois allumé, l'élément chauffant commence à fonctionner et émet de la chaleur en fonction des derniers paramètres sélectionnés.
- Une fois éteint, le radiateur mémorise tous les paramètres comme la température et le mode Power. Le réglage de la minuterie n'est pas conservé.

### 5.3.2 Réglage de la température

Lorsque le radiateur affiche une température, tourner le bouton MODE pour ajuster la température de 5 à 35 °C.

- En mode non-ECO, la température sélectionnée augmente/baisse de 0,5 °C.
- En mode ECO, la température sélectionnée augmente/baisse de 1 °C.
- Lorsque la température ambiante atteint la température sélectionnée, l'élément chauffant s'arrête.
- Lorsque la température ambiante est inférieure à la température sélectionnée, l'élément chauffant repart.

### Remarques :

- Pour ajuster la température pendant que la minuterie fonctionne, tourner le bouton MODE pour afficher la température sélectionnée et continuer à tourner le bouton pendant que la température clignote.
- Une fois le radiateur éteint, il continue à émettre de la chaleur pendant un moment grâce aux propriétés uniques de son élément chauffant métallique.

### 5.3.3 Réglage du mode Power

Vous pouvez régler le radiateur sur 3 modes de fonctionnement (H1, H2 et H3) pour l'adapter aux exigences de chauffage. Se référer au tableau ci-dessous pour la classification nominale de ces 3 modes d'alimentation.

H1	H2	H3
750 W	750 W	1500 W

Pour changer le mode d'alimentation, suivre les étapes ci-dessous :

1. Appuyer sur le bouton MODE. Le radiateur affiche le mode d'alimentation en cours (H1/H2/H3) sur l'affichage LED pendant 3 secondes.
2. Pendant l'affichage H1/H2/H3, tourner le bouton MODE pour faire défiler H1, H2 et H3.
3. Quand le mode d'alimentation désiré apparaît, appuyer sur le bouton MODE ou attendre 3 secondes pour activer le nouveau mode d'alimentation.

Vous pouvez appuyer sur le bouton MODE pour afficher le mode d'alimentation en cours à tout moment.

### 5.3.4 Utilisation du mode ECO

Le radiateur peut être réglé pour fonctionner en mode ECO (économique). Dans ce mode, le radiateur ajuste automatiquement son mode de fonctionnement selon la température ambiante afin de réduire la consommation d'énergie.

Pour mettre le radiateur en mode ECO, appuyer sur le bouton mode ECO.

- En mode ECO, la température sélectionnée s'affiche par un numéro à 2 chiffres suivi de la lettre majuscule **E**. Par exemple, si la température est de 20 °C, vous verrez **20E** affiché.

### 5.3.5 Utilisation du mode anti-gel

Le radiateur peut être réglé pour fonctionner en mode anti-gel. Ce mode est utile lorsque l'appareil est stocké dans un garage pour éviter les risques de gel. Dans ce mode, l'élément chauffant s'allume et s'éteint afin de maintenir une température ambiante d'environ 5 °C pour éviter tout risque de gel.

Pour mettre le radiateur en mode anti-gel, tourner le bouton MODE complètement vers la gauche jusqu'à ce que **FR** s'affiche sur l'affichage LED.

### 5.3.6 Utilisation de la minuterie

Vous pouvez régler la minuterie pour utiliser le radiateur en mode de fonctionnement pendant un nombre d'heures présélectionné uniquement (1 à 24).

Pour régler la minuterie, procéder aux étapes suivantes :

1. Appuyer et maintenir le bouton MODE pendant 3 secondes. Le radiateur affiche le nombre d'heures présélectionné (00H) sur l'affichage LED et l'unité heure clignote (H) pendant 3 secondes.
2. Pendant que le nombre d'heures présélectionné clignote, appuyer sur le bouton MODE pour faire défiler le nombre d'heures (0 à 24).
3. Quand le nombre d'heures souhaité s'affiche (1 à 24), appuyer sur le bouton MODE ou attendre 3 secondes pour lancer la minuterie.

#### Conseils :

- Une fois la minuterie lancée, le radiateur affiche le nombre d'heures présélectionné (1 à 24) et continue de fonctionner en se basant sur les paramètres précédents.

**Remarque :** Le radiateur n'affiche pas le temps restant de la minuterie.

- Lorsque la minuterie s'écoule, vous pouvez modifier les paramètres du radiateur comme la température et le mode d'alimentation, tel que décrit dans les parties précédentes de ce manuel d'utilisation. Tout changement de ces paramètres n'affecte pas la minuterie.
- Lorsque la minuterie s'est écoulée, le radiateur passe automatiquement en mode anti-gel.
- Pour arrêter immédiatement la minuterie, appuyer sur le bouton Power ou appuyer et maintenir enfoncé le bouton MODE pendant 3 secondes.

### 5.3.7 Autres caractéristiques

#### Fonction mémoire

Si vous arrêtez et/ou débranchez le radiateur, il revient au statut précédent (mode fonctionnement & température) dès que vous le rallumez. **Remarque** : Ceci ne s'applique pas au réglage de la minuterie.

#### Protection contre la surchauffe

Le radiateur est équipé d'un interrupteur de protection contre la surchauffe (coupure thermique) qui éteint automatiquement le radiateur en cas de surchauffe. Si cela se produit, suivre les étapes ci-dessous pour résoudre le problème :

1. Débrancher le radiateur et le laisser refroidir complètement.
2. Vérifier et éliminer la source de la surchauffe telle qu'une mauvaise ventilation et un élément recouvrant l'appareil de chauffage.
3. Suivre les instructions de fonctionnement pour redémarrer le radiateur.
4. Le radiateur devrait à nouveau fonctionner normalement. Si le problème persiste, contacter notre Service Client pour obtenir des conseils.

#### Protection anti-basculement

Le radiateur est équipé d'un interrupteur de basculement qui coupe l'alimentation du radiateur s'il se renverse. Si cela se produit, suivre les étapes ci-dessous pour résoudre le problème :

1. Débrancher le radiateur et le laisser refroidir complètement.
2. Replacer le radiateur sur une surface plate, de niveau et stable.
3. Vérifier si le radiateur n'est pas endommagé.
4. Si et seulement si le radiateur n'est pas endommagé, suivre les instructions de fonctionnement pour le redémarrer.
5. Le radiateur devrait à nouveau fonctionner normalement. Si le problème persiste, contacter notre Service Client pour obtenir des conseils.

#### Intensité automatique de l'affichage

Si l'utilisateur n'effectue aucune action, l'affichage LED baisse automatiquement son éclairage après 60 secondes pour réduire la consommation d'énergie.

## 6. ENTRETIEN ET NETTOYAGE

### Nettoyage

Avec le temps, la poussière peut s'accumuler sur et à l'intérieur du radiateur, ce qui peut affecter ses performances. Il est recommandé de nettoyer le radiateur au moins une fois par mois.

1. Éteindre le radiateur et le débrancher de l'alimentation électrique.
2. Attendre que le radiateur soit complètement refroidi.
3. Essuyer la surface de l'appareil avec un chiffon doux et humide. Un détergent doux peut être utilisé pour éliminer les taches tenaces.

### Remarques :

- Ne pas utiliser de détergents agressifs, de nettoyeurs chimiques ou de solvants, car ils pourraient endommager la finition de surface du radiateur.
- Ne jamais plonger le radiateur dans l'eau.
- Ne jamais laisser de l'eau ou d'autres liquides pénétrer à l'intérieur du radiateur, car cela pourrait créer un incendie et/ou un risque électrique.
- Il est également recommandé de nettoyer le radiateur périodiquement en passant la buse d'un aspirateur sur les protections pour éliminer toute poussière ou saleté qui pourrait s'accumuler à l'intérieur ou sur le radiateur.
- Vérifier que le radiateur est sec avant de le rebrancher.

**MISE EN GARDE :** Ne jamais essayer d'ouvrir le boîtier du radiateur. Il ne contient aucune pièce réparable par l'utilisateur.

### Rangement

Si vous n'utilisez pas le radiateur pendant une période prolongée, après l'avoir nettoyé, veuillez :

1. vérifier que vous avez éteint le radiateur et que vous l'avez débranché de l'alimentation électrique.
2. couvrir le radiateur et le ranger en position verticale dans un endroit sec sans rayons de soleil directs. **Remarque :** Une exposition prolongée à la lumière directe du soleil peut décolorer l'appareil.

## 7. GARANTIE ET LIMITES DE RESPONSABILITÉ

Ce produit est garanti pour une période de 36 mois (incluant la garantie légale de 24 mois telle que définie par la législation locale ainsi qu'une garantie commerciale de 12 mois supplémentaires offerts par la marque) à partir de la date d'achat, contre toute défaillance résultant d'un vice de fabrication ou de matériau.

Cette garantie ne couvre pas les dommages résultant d'une mauvaise installation, d'une utilisation incorrecte, ou de l'usure normale de l'accessoire. Plus précisément, la garantie ne couvre pas :

- Les dommages ou problèmes causés par une utilisation incorrecte, un accident, une altération ou un branchement électrique d'intensité ou de tension inappropriée
- Les accessoires modifiés, ceux dont le scellé de garantie ou le numéro de série ont été endommagés, altérés, supprimés ou oxydés
- Les batteries remplaçables et les accessoires sont garantis pour une période de 6 mois
- La défaillance de la batterie, survenue par un chargement trop long ou par le non-respect des consignes de sécurité expliquées dans la notice.
- Les dommages esthétiques, y compris rayures, bosses et tout autre élément
- Les dommages causés par toute intervention effectuée par une personne non agréée.
- Les défauts causés par une usure normale ou dus au vieillissement normal de l'accessoire.
- Les mises à jour de logiciel, dues à un changement de paramètres réseau.
- Les défaillances de l'accessoire dues à l'utilisation de logiciels tiers pour modifier, changer ou adapter l'existant.
- Les défaillances de l'accessoire dues à l'utilisation sans les accessoires homologués par le fabricant.
- Les accessoires oxydés.

En aucun cas, le fabricant ne peut être responsable de la perte de données stockées sur le disque. De même, le fabricant n'est pas tenu de vérifier que les cartes SIM/SD soient bien retirées des accessoires retournés.

Les accessoires réparés ou remplacés peuvent inclure des composants et des équipements nouveaux et/ou reconditionnés.

## MODALITÉS DE MISE EN PLACE

Pour obtenir un service de garantie, vous êtes priés de rapporter votre produit à l'accueil de votre lieu de vente muni de votre preuve d'achat (ticket de caisse, facture...), du produit et de ses accessoires fournis, avec son emballage d'origine.

Il est important d'avoir comme information la date d'achat, le modèle et le numéro de série ou d'IMEI (ces informations apparaissent généralement sur l'accessoire, l'emballage ou votre preuve d'achat).

À défaut, vous devez rapporter le produit avec les accessoires nécessaires à son bon fonctionnement (alimentation, adaptateur, etc.)

Dans le cas où votre réclamation est couverte par la garantie, le service après-vente pourra, dans les limites de la législation locale, soit :

- Réparer ou remplacer les pièces défectueuses.
- Échanger l'accessoire retourné avec un accessoire qui a au moins les mêmes fonctionnalités et qui est équivalent en termes de performance.
- Rembourser l'accessoire au prix d'achat de l'accessoire mentionné sur la preuve d'achat.

Dans le cas d'une réparation couverte par la garantie, votre durée de garantie se verra prolongée de 6 mois. Mais ne sera en aucun cas cumulable en cas de pannes répétées.

## 8. INSTRUCTIONS POUR L'ÉLIMINATION

Le symbole de la poubelle barrée ci-dessous indique que ce produit ne doit pas être jeté avec les ordures ménagères. Ce produit doit être remis à un service de recyclage ou à un conteneur pour appareils électriques et équipements électroniques. Ceci est destiné à éviter les risques pour la santé et prévenir les dommages à l'environnement. Les entreprises locales (ou la station de traitement des déchets de votre quartier) sont tenues par la loi d'accepter et de recycler ces produits, comme moyen d'élimination écologique.



# ÍNDICE

1. INSTRUCCIONES DE SEGURIDAD	P. 24
2. ESPECIFICACIONES TÉCNICAS	P. 26
3. CONTENIDO DEL PAQUETE	P. 28
4. DESCRIPCIÓN DEL PRODUCTO	P. 28
5. USO DEL PRODUCTO	P. 28
6. MANTENIMIENTO Y LIMPIEZA	P. 31
7. GARANTÍAS Y LÍMITES DE RESPONSABILIDAD	P. 32
8. INSTRUCCIONES DE ELIMINACIÓN	P. 33

ES

## 1. INSTRUCCIONES DE SEGURIDAD

Antes de usar este producto, lea atentamente estas instrucciones y conserve el manual del usuario para futuras consultas.



### ¡ADVERTENCIA!

Respete todas las pautas de seguridad



Lea el manual antes de usarlo



### ¡ADVERTENCIA!

No cubra el producto

1. El calefactor está diseñado para uso doméstico ligero. No está diseñado para uso intensivo, comercial o industrial, y no es adecuado para usarse en exteriores.
2. No utilice el aparato para secar ropa, calcetines, zapatos o artículos similares.
3. Este aparato puede ser utilizado por niños mayores de 8 años y personas con capacidades físicas, sensoriales o mentales reducidas o sin experiencia y conocimiento si se les ha supervisado o instruido sobre el uso del artefacto de una manera segura



- y entienden los peligros que conlleva. Los niños no deben jugar con el aparato. La limpieza y el mantenimiento por parte del usuario no deben ser realizados por niños sin supervisión. Los niños menores de 3 años deben mantenerse alejados a menos que estén continuamente supervisados.
4. Los niños entre 3 y 8 años solo deben encender/apagar el aparato si está colocado o instalado en su posición de funcionamiento normal y están supervisados o han recibido instrucciones relativas al uso del aparato de manera segura y comprenden los riesgos implícitos. Los niños entre 3 y 8 años no deben enchufar, regular ni limpiar el aparato ni realizar el mantenimiento del usuario.
  5. **PRECAUCIÓN:** Algunas piezas de este producto pueden calentarse y causar quemaduras. Debe prestarse atención especial cuando haya niños y personas vulnerables presentes.
  6. **ADVERTENCIA:** No utilice el calefactor en salas pequeñas cuando estén ocupadas por personas que no sean capaces de salir por sí mismas, a menos que se proporcione supervisión constante.
  7. En caso de que el cable de alimentación esté dañado debe ser reemplazado por el fabricante, el servicio técnico autorizado u otra persona con una cualificación similar para evitar accidentes.
  8. **PRECAUCIÓN:** Para evitar el riesgo de que el disyuntor térmico se restablezca inadvertidamente, no se debe conectar el aparato a un dispositivo interruptor externo, como un temporizador, ni conectarse a un circuito que se encienda y apague periódicamente.
  9. **ADVERTENCIA:** No cubra el aparato para evitar que se sobrecaliente.
  10. No se debe colocar el calefactor justo debajo de la toma de corriente.

11. **ADVERTENCIA:** Mantenga los textiles, cortinas y otros materiales inflamables a una distancia mínima de 1 m respecto a la salida de aire para reducir el riesgo de incendio.
12. No utilice este aparato en el entorno inmediato a un baño, una ducha o una piscina. Nunca coloque este aparato donde pueda caer a una bañera u otro recipiente de agua.
13. Utilice siempre el calentador en una superficie horizontal y estable.
14. No utilice el calentador si ha caído al suelo.
15. No utilice el calentador si tiene señales visibles de daños.
16. Enchufe siempre el aparato cuando no se esté utilizando.

## 2. ESPECIFICACIONES TÉCNICAS

Alimentación	230 V~, 50-60 Hz
Potencia asignada	1500 W
Modos de potencia	3
Termostato (S/N)	Y
Temporizador (S/N)	Y
Ventilador turbo (S/N)	N
Peso neto	4.8kg
Dimensiones (an. x pr. x al.)	375*245*635mm

## 2.1 Requisitos de información para calefactores eléctricos de espacios locales

Identificador(es) de modelo: GBXE01-7				Elemento	Unidad
<b>Salida de calor</b>				<b>Tipo de entrada de calor, solo para calefactores de espacios locales de almacenamiento eléctrico (seleccione uno)</b>	
Salida de calor nominal	$P_{nom}$	1.5	kW	control de cambio de calor manual, con termostato integrado	No aplicable
Potencia calorífica mínima (indicativa)	$P_{min}$	0.7	kW	control de carga de calor manual con retroalimentación de temperatura de sala y/o exterior	No aplicable
Potencia calorífica continua máxima	$P_{max,c}$	1.5	kW	control de carga de calor electrónico con retroalimentación de temperatura de sala y/o exterior	No aplicable
<b>Consumo de electricidad auxiliar</b>				salida de calor asistida por ventilador	
A potencia calorífica nominal	$e_{l,max}$	0.000	kW	<b>Tipo de salida de calor/control de temperatura ambiental (seleccione uno)</b>	
A potencia calorífica mínima	$e_{l,min}$	0.000	kW	salida de calor de fase única, sin control de temperatura ambiental	No
En modo de espera	$e_{l,SB}$	0.0007	kW	dos o mas fases manuales, sin control de sala ambiental	No
				con termostato mecánico de control de temperatura ambiental	No
				con control de temperatura ambiental electrónico	No
				control de temperatura ambiental electrónico más temporizador de día	Sí
				control de temperatura ambiental electrónico más temporizador de semana	No
				<b>Otras opciones de control (múltiples selecciones posibles)</b>	
				control de temperatura ambiental, con detección de presencia	No
				control de temperatura ambiental, con detección de ventana abierta	No
				con opción de control a distancia	No
				con control de encendido adaptativo	No
				con limitación de tiempos de funcionamiento	No
				con sensor de bombilla negra	No
Información de contacto			Auchan – SAS OIA, 200, rue de la Recherche, Le Colibri BP 169, 59650 Villeneuve d'Ascq, France - <a href="http://www.auchan-retail.com/contact">www.auchan-retail.com/contact</a>		

ES

### 3. CONTENIDO DEL PAQUETE

- 1 Calefactor sin aceite
- 2 placas de patas con 4 ruedas acopladas
- 1 Manual del usuario

### 4. DESCRIPCIÓN DEL PRODUCTO

ES

#### 4.1 Lista de piezas

- 1. Pantalla LED
- 2. Rueda de MODO
- 3. Botón de modo ECO
- 4. Botón de encendido
- 5. Rueda
- 6. Placa de patas
- 7. Asa

### 5. USO DEL PRODUCTO

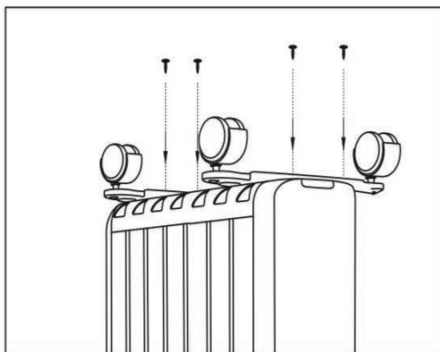
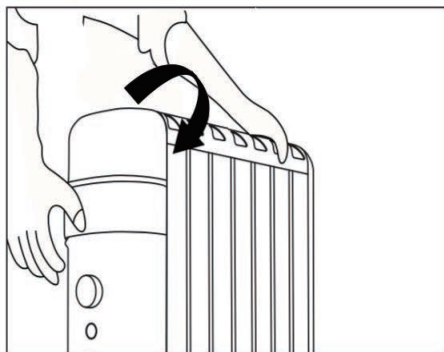
#### 5.1 Instrucciones de montaje

**ADVERTENCIA:** Solo se debe utilizar el calefactor con las ruedas instaladas y en posición vertical.

Desempaquete el calefactor, retire todas las piezas de las bolsas de plástico y conserve el embalaje. Guarde la caja para almacenar el producto en las temporadas que no se use.

El calefactor incluye en la caja 4 ruedas preinstaladas en 2 placas de patas diferentes. Para instalar las placas de patas en el calefactor, siga los pasos y diagramas mostrados a continuación:

- 1. Voltee el calefactor sobre una alfombra u otra superficie suave para evitar daños.
- 2. Instale las 2 placas de patas a ambos extremos de la parte inferior de la carcasa del calefactor. Alinee los orificios de las placas de patas con los orificios de ambos extremos de la parte inferior de la carcasa del calefactor y fije las placas de patas con los 4 tornillos incluidos.
- 3. Vuelva a poner el calefactor en la orientación correcta para que descance sobre las ruedas.



## 5.2 Colocar el calefactor

El calefactor está diseñado para usarlo únicamente en el suelo.

- Coloque siempre el calefactor en una superficie plana y estable. Puede sufrir daños si se coloca sobre una superficie inclinada.
- El calefactor irradia calor en todas direcciones, deje un espacio amplio a su alrededor.
- No lo coloque demasiado cerca de ninguna pared o mueble.
- Mantenga todos los materiales combustibles, como muebles, almohadas, ropa de cama, papel, ropa y cortinas al menos a 1 metro de distancia de este calefactor.
- No coloque nada encima del calefactor.
- No utilice el calefactor en lugares mojados o húmedos, por ejemplo, cuartos de baño y zonas de lavandería, ni en áreas donde se utilicen o almacenen pinturas u otros líquidos inflamables o volátiles.

## 5.3 Utilizar el calefactor

Antes de enchufar el calefactor, compruebe que:

- La alimentación eléctrica coincide con la mostrada en la etiqueta de identificación del aparato. El aparato solo debe utilizarse según sus especificaciones.
- La toma eléctrica que utilizará debe tener conexión a tierra y no se debe utilizar para conectar otros aparatos.
- Enchufe directamente el aparato a una toma de corriente sin utilizar cables alargadores ni regletas reubicables.
- El cable eléctrico y el enchufe no estén dañados.
- Cuando lo conecte y desconecte, agarre siempre del enchufe y no el cable.

Después de conectar el calefactor, siga estas instrucciones antes de empezar a usarlo.

### 5.3.1 Encender/apagar el calefactor

Pulse el botón de encendido para encender o apagar el calefactor.

- Una vez encendido, la pantalla LED se iluminará e indicará la temperatura predeterminada o el último ajuste en Celsius.
- La temperatura ajustada aparece en números de 3 dígitos con un decimal, a menos que el calefactor esté en modo ECO. Por ejemplo, una temperatura de 20,5 grados se muestra como 20<sup>s</sup>.
- Una vez encendido, el elemento calefactor empieza a funcionar irradiando calor con los últimos ajustes usados.
- Después de apagarlo, el calefactor conserva todos los ajustes, como la temperatura y el modo de funcionamiento. No conservará el ajuste del temporizador.

### 5.3.2 Ajustar la temperatura

Cuando el calefactor muestre una temperatura, gire la rueda de MODO para ajustar la temperatura establecida de 5 a 35 °C.

- En modos distintos al ECO, la temperatura establecida cambia en incrementos/reducciones de 0.5 °C.
- En modo ECO, la temperatura establecida cambia en incrementos/reducciones de 1 °C.
- Cuando la temperatura ambiente alcance la temperatura establecida, el elemento calefactor dejará de funcionar.
- Cuando la temperatura ambiente sea inferior que la temperatura establecida, el elemento calefactor empezará a funcionar otra vez.

#### Notas:

- Gire la rueda de MODO para mostrar la temperatura establecida y siga girándola mientras la temperatura parpadea para ajustar la temperatura establecida mientras el temporizador esté funcionando.

- Cuando se apague el calefactor, seguirá irradiando calor durante un rato por las propiedades únicas de su elemento calefactor de metal.

### 5.3.3 Ajustar el modo de encendido

Puede ajustar el calefactor para funcionar en 3 modos (H1, H2 y H3) para adecuarse a los diferentes requisitos de calentamiento. Consulte la tabla siguiente para ver los rangos de potencia de estos modos de encendido.

H1	H2	H3
750 W	750 W	1500 W

Para cambiar el modo de potencia, siga estos pasos:

1. Pulse la rueda de MODO. El calefactor mostrará el modo de potencia actual (H1/H2/H3) en la pantalla LED durante 3 segundos.
2. Mientras se muestra H1/H2/H3, gire la rueda de MODO para cambiar entre H1, H2 y H3.
3. Cuando aparezca el modo de potencia que desee, pulse la rueda de MODO o espere 3 segundos para activarlo.

Puede pulsar la rueda de MODO para ver el modo de potencia actual en cualquier momento.

### 5.3.4 Uso del modo ECO

Se puede utilizar el calefactor en modo ECO (económico). En este modo, el calefactor ajusta automáticamente su modo de funcionamiento en base a la temperatura ambiente para reducir el consumo energético.

Pulse el botón de modo ECO para poner el calefactor en modo ECO.

- En modo ECO, la temperatura establecida se muestra con un número de 2 dígitos seguido de la letra **E** en mayúsculas. Por ejemplo, si la temperatura establecida es 20 °C, verá **20E**.

### 5.3.5 Uso del modo anticongelación

Se puede utilizar el calefactor en modo anticongelación. Este modo es útil en zonas como garajes para prevenir daños por congelación. En este modo, el elemento calefactor se encenderá y apagará para mantener una temperatura ambiente de aproximadamente 5 °C para ayudar a proteger contra la congelación.

Para poner el calefactor en modo anticongelación, gire completamente la rueda de MODO en sentido antihorario hasta que vea **F** en la pantalla LED.

### 5.3.6 Uso del temporizador

Puede ajustar el temporizador para que el calefactor funcione durante el número de horas preestablecido (1 a 24).

Para ajustar el temporizador, siga estos pasos:

1. Mantenga pulsada la rueda de MODO durante 3 segundos. El calefactor mostrará el número preestablecido de horas (00h) en la pantalla LED y la unidad de hora (H) parpadeará durante 3 segundos.
2. Mientras se muestra el número preestablecido de horas, gire la rueda de MODO para cambiar ciclicamente el número de horas (0 a 24).
3. Cuando aparezca el número deseado de horas (1 a 24), pulse la rueda de MODO o espere 3 segundos para iniciar el temporizador.

### Consejos:

- Después de iniciar el temporizador, el calefactor muestra el número preestablecido de horas (1 a 24) y sigue funcionando con los ajustes previos. **Observación:** El calefactor no mostrará el tiempo restante del temporizador.
- Con el temporizador funcionando, puede cambiar los ajustes, como la temperatura establecida y el modo de funcionamiento, según se describe en las partes anteriores de este manual del usuario. Cambiar los ajustes no afectará al temporizador.
- Cuando termine el temporizador, el calefactor entrará automáticamente en modo anticongelación.
- Para finalizar inmediatamente el temporizador, pulse el botón de encendido o mantenga pulsada la rueda de MODO durante 3 segundos.

### 5.3.7 Otras características

#### Función de memoria

Si apaga y/o desenchufa el calefactor, volverá a su último estado (modo de funcionamiento y temperatura) cuando vuelva a encenderlo. **Observación:** Esto no es aplicable al ajuste del temporizador.

#### Protección contra sobrecalentamiento

El calefactor dispone de un interruptor de protección contra sobrecalentamiento (disyuntor térmico) que apagará automáticamente el calefactor en caso de sobrecalentamiento. Si esto sucede, siga estos pasos para resolver el problema:

1. Desenchufe el calefactor y deje que se enfríe completamente.
2. Compruebe y elimine la causa del sobrecalentamiento, como una mala ventilación o artículos que cubran el calefactor.
3. Siga las instrucciones de funcionamiento para reiniciar el calefactor.
4. El calefactor debe funcionar con normalidad otra vez. Si el problema persiste, póngase en contacto con el departamento de atención al cliente.

#### Protección contra volcado

El calefactor dispone de un interruptor de volcado que interrumpirá la alimentación del calefactor si vuelca. Si esto sucede, siga estos pasos para resolver el problema:

1. Desenchufe el calefactor y deje que se enfríe completamente.
2. Vuelva a colocar el calefactor en una superficie plana, nivelada y estable.
3. Compruebe si el calefactor tiene daños.
4. Solo si el calefactor está libre de daños, siga las instrucciones de funcionamiento para volverlo a encender.
5. El calefactor debe funcionar con normalidad otra vez. Si el problema persiste, póngase en contacto con el departamento de atención al cliente.

#### Atenuación automática de la pantalla

Si el usuario no realiza ninguna acción, la pantalla LED se atenuará automáticamente al cabo de 60 segundos para reducir el consumo energético.

## 6. MANTENIMIENTO Y LIMPIEZA

### Limpieza

Con el tiempo, puede acumularse polvo encima y dentro del calefactor, lo que afectará a su rendimiento. Le recomendamos limpiar el calefactor al menos una vez al mes.

1. Apague el calefactor y desconéctelo de la corriente.
2. Espere a que el calefactor se haya enfriado completamente.
3. Limpie la superficie de la unidad con un paño suave y húmedo. Se puede usar detergente suave para las manchas persistentes.

**Notas:**

- No utilice detergentes agresivos, limpiadores químicos o disolventes, ya que pueden dañar el acabado de la superficie del calefactor.
- Nunca sumerja el calefactor en agua.
- No permita que entre agua ni otros líquidos en el interior del calefactor, ya que puede provocar un incendio y/o peligros eléctricos.
- También se recomienda limpiar periódicamente el calefactor pasando suavemente la boquilla de un aspirador por las protecciones para eliminar el polvo o suciedad que pueda haberse acumulado dentro o encima del calefactor.
- Compruebe que el calefactor esté seco antes de volver a conectarlo.

**ADVERTENCIA:** Nunca intente abrir la carcasa del calefactor. No contiene piezas reparables por el usuario.

**Almacenamiento**

Si no va a utilizar el calefactor durante un periodo prolongado después de limpiarlo:

1. Asegúrese de haber apagado el calefactor y desconéctelo de la corriente.
2. Cubra el calefactor y guárdelo en posición vertical en un lugar seco donde no reciba la luz solar directa. **Observación:** La exposición prolongada a la luz solar directa descolorará la unidad.

**7. GARANTÍAS Y LÍMITES DE RESPONSABILIDAD**

Este producto está garantizado durante un periodo de 36 meses (que incluye la garantía legal de 24 meses, como lo establece la legislación local, así como una garantía comercial adicional de 12 meses gratis ofrecida por la marca), a partir de la fecha de compra, frente a cualquier fallo como resultado de un defecto de fabricación o de material.

Esta garantía no cubre los daños resultantes de una instalación incorrecta, de una utilización indebida o del desgaste normal del producto. De forma más precisa, la garantía no cubre:

- Los daños o problemas causados por una utilización incorrecta, un accidente, una alteración o conexión eléctrica de intensidad o tensión inadecuada
- Productos que han sido modificados o cuyo sello o número de serie a prueba de manipulaciones ha sido dañado, alterado, eliminado u oxidado
- Las baterías reemplazables y los accesorios están garantizados por un periodo de 6 meses
- El fallo de la batería debido a una carga demasiado prolongada o por no respetar las instrucciones de seguridad explicadas en el manual.
- Daños cosméticos, incluidos arañazos, golpes y cualquier otro elemento.
- Los daños causados por cualquier intervención que efectúe una persona no autorizada.
- Los fallos provocados por un desgaste normal o que se deban al envejecimiento normal del producto.
- Las actualizaciones del software que se deban a un cambio de parámetros de red.
- Los fallos del producto que se deban al uso de softwares terceros para cambiar, adaptar o modificar el existente.
- Los fallos del producto que se deban a su uso sin los accesorios autorizados por el fabricante.
- Los productos oxidados.

En ningún caso, el fabricante puede ser responsable de la pérdida de datos almacenados en el disco. Asimismo, el fabricante no está obligado a comprobar que las tarjetas SIM o SD hayan sido retiradas de los productos devueltos.

Los productos reparados o reemplazados pueden incluir componentes y equipos nuevos y/o reacondicionados.



## MÉTODOS DE USO

Para conseguir un servicio de garantía, lleve el producto a la recepción del lugar de venta junto con el comprobante de la compra (resguardo, factura, etc.) del producto y los accesorios incluidos en su embalaje original.

Es importante indicar la fecha de compra, el modelo y el número de serie o de IMEI (esta información aparece, por lo general, en el producto, el embalaje o su comprobante de compra).

A falta de ello, debe llevar el producto con los accesorios necesarios para su correcto funcionamiento (alimentación, adaptador, etc.).

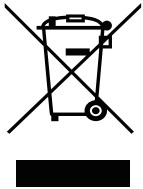
En caso de que la garantía cubra su reclamación, el servicio posventa podrá, dentro de los límites de la legislación local:

- Reparar o reemplazar las piezas defectuosas.
- Cambiar el producto devuelto por uno que tenga, al menos, las mismas funcionalidades y que sea equivalente en cuanto a prestaciones.
- Reembolsar el producto al precio de compra mencionado en el comprobante de compra.

En caso de que la garantía cubra su reclamación, la duración de la garantía se prolongará 6 meses; sin embargo, bajo ninguna circunstancia, es acumulable en caso de averías recurrentes.

## 8. INSTRUCCIONES DE ELIMINACIÓN

El símbolo del cubo de basura con ruedas tachado indica que no se debe eliminar el producto con los residuos domésticos. Se debe entregar el producto a un servicio de reciclaje o tirar a un contenedor para aparatos eléctricos y equipos electrónicos. Esto se hace para evitar riesgos para la salud y prevenir daños al medio ambiente. Los negocios locales (o el punto limpio de su vecindario) están obligados por ley para aceptar y reciclar dichos productos como medida de eliminación respetuosa con el medio ambiente.



# ÍNDICE

1. INSTRUÇÕES DE SEGURANÇA	P. 34
2. ESPECIFICAÇÕES TÉCNICAS	P. 36
3. CONTEÚDO DA EMBALAGEM	P. 38
4. DESCRIÇÃO DO PRODUTO	P. 38
5. UTILIZAÇÃO DO PRODUTO	P. 38
6. MANUTENÇÃO E LIMPEZA	P. 42
7. GARANTIAS E LIMITES DE RESPONSABILIDADE	P. 42
8. INSTRUÇÕES RELACIONADAS COM A ELIMINAÇÃO	P. 43

PT

## 1. INSTRUÇÕES DE SEGURANÇA

Antes de usar este produto, leia atentamente as presentes instruções e guarde o manual de instruções para consulta futura.



### **AVISO!**

Respeite todas as instruções relacionadas com a segurança



Leia o manual antes da utilização



### **AVISO!**

Não cubra o produto

1. O aquecedor foi concebido apenas para uma utilização doméstica ligeira. Não se destina a uma utilização pesada, comercial ou industrial, e não é adequado para uma utilização no exterior.
2. Não utilize este aparelho para secar roupa, meias, calçado e outros itens semelhantes.
3. Este aparelho pode ser utilizado por crianças a partir dos 8 anos e por pessoas com capacidades físicas, sensoriais ou mentais reduzidas ou com falta de experiência e conhecimento, se forem

supervisionadas ou se tiverem tido formação relativa à utilização do aparelho de uma forma segura e se compreenderem os perigos envolvidos. As crianças não devem brincar com o aparelho. A limpeza e a manutenção da responsabilidade do utilizador não deverão ser feitas por crianças não supervisionadas. As crianças com menos de 3 anos de idade devem manter-se afastadas, a menos que estejam supervisionadas.

4. As crianças com idades compreendidas entre os 3 e os 8 anos devem ligar/desligar o aparelho apenas se este tiver sido colocado ou instalado na sua posição de funcionamento normal, e se estiverem sob vigilância ou se tiverem recebido instruções sobre a utilização do aparelho em segurança, compreendendo os riscos envolvidos. As crianças com idades compreendidas entre os 3 e os 8 anos não devem ligar o aparelho à tomada elétrica, nem devem regular, limpar ou realizar a manutenção do mesmo.
5. **ATENÇÃO:** algumas peças deste produto podem ficar muito quentes e provocar queimaduras. Deve ser dada especial atenção sempre que estiverem presentes crianças e pessoas vulneráveis.
6. **AVISO:** não utilize este aquecedor em divisões pequenas onde se encontrem pessoas incapazes de sair da sala sozinhas, exceto se for providenciada uma supervisão constante.
7. Se o cabo de alimentação estiver danificado, deve ser substituído pelo fabricante, pelo agente de serviço ou por pessoal igualmente qualificado, de modo a evitar perigos.
8. **ATENÇÃO:** para evitar um perigo devido à reinicialização inadvertida do corte térmico, este aparelho não deve ser alimentado através de um dispositivo de comutação externo, como um

temporizador, ou ligado a um circuito ligado e desligado regularmente.

9. **AVISO:** não cubra o aparelho para evitar o sobreaquecimento do mesmo.
10. O aquecedor não deve ser colocado imediatamente por baixo de uma tomada elétrica.
11. **AVISO:** para reduzir o risco de incêndio, mantenha os têxteis, cortinas e qualquer outro material inflamável a uma distância mínima de 1 m da saída de ar.
12. Não utilize este aparelho nas imediações de uma banheira, duche ou piscina. Nunca coloque este aparelho num local onde possa cair para dentro de uma banheira ou outro recipiente com água.
13. Utilize sempre este aquecedor numa superfície estável e horizontal.
14. Não utilize este aquecedor se o mesmo tiver sofrido uma queda.
15. Não utilize este aquecedor se existirem sinais visíveis de danos ao mesmo.
16. Desligue sempre a alimentação elétrica quando o dispositivo não estiver a ser utilizado.

PT

## 2. ESPECIFICAÇÕES TÉCNICAS

Alimentação	230 V~, 50-60 Hz
Potência atribuída	1500 W
Modos de potência	3
Termostato (S/N)	S
Temporizador (S/N)	S
Ventoinha turbo (S/N)	N
Peso líquido	4.8kg
Dimensões (L x P x A)	375*245*635mm

## 2.1 Requisitos referentes a aquecedores elétricos

Identificador(es) do modelo: GBXE01-7					
Item	Símbolo	Valor	Unidade	Item	Unidade
<b>Saída de calor</b>				<b>Tipo de entrada de calor, apenas para aquecedores elétricos para locais de armazenamento (selecionar um)</b>	
Saída de calor nominal	$P_{nom}$	1,5	kW	controlo manual da carga de calor, com termostato integrado	Não aplicável
Saída mínima de calor (indicativo)	$P_{min}$	0,7	kW	controlo manual da carga de calor com indicação da temperatura da sala e/ou exterior	Não aplicável
Saída de calor contínua máxima	$P_{max,c}$	1,5	kW	controlo eletrónico da carga de calor com indicação da temperatura da sala e/ou exterior	Não aplicável
<b>Consumo energético auxiliar</b>				Saída de calor assistida por ventoinha	
Na saída de calor nominal	$e_{l,max}$	0,000	kW	<b>Tipo de saída de calor/controlo da temperatura da sala (selecionar um)</b>	
Na saída de calor mínima	$e_{l,min}$	0,000	kW	saída de calor de fase única, sem controlo da temperatura da sala	Não
No modo de espera	$e_{l,SB}$	0.0007	kW	duas ou mais etapas manuais, sem controlo da temperatura ambiente	Não
				com controlo da temperatura da sala por termostato mecânico	Não
				com controlo eletrónico da temperatura da sala	Não
				controlo eletrónico da temperatura da sala mais temporizador diário	Sim
				controlo eletrónico da temperatura da sala mais temporizador semanal	Não
				<b>Outras opções de controlo (múltiplas seleções possíveis)</b>	
				controlo da temperatura da sala, com deteção de presença	Não
				controlo da temperatura da sala, com deteção de janela aberta	Não
				com opção de controlo à distância	Não
				com controlo de arranque adaptativo	Não
				com limitação do tempo de funcionamento	Não
				com sensor de lâmpada negra	Não
Dados de contacto		Auchan – SAS OIA, 200, rue de la Recherche, Le Colibri BP 169, 59650 Villeneuve d'Ascq, França - <a href="http://www.auchan-retail.com/contact">www.auchan-retail.com/contact</a>			

PT

### 3. CONTEÚDO DA EMBALAGEM

- 1 x Radiador sem óleo
- 2 x Pés com 4 rodízios fixados
- 1 x Manual do utilizador

### 4. DESCRIÇÃO DO PRODUTO

#### 4.1 Lista de peças

- 1. Visor LED
- 2. Manípulo de MODO
- 3. Botão do modo ECO
- 4. Botão de alimentação
- 5. Rodízio
- 6. Pé
- 7. Pega

### 5. UTILIZAÇÃO DO PRODUTO

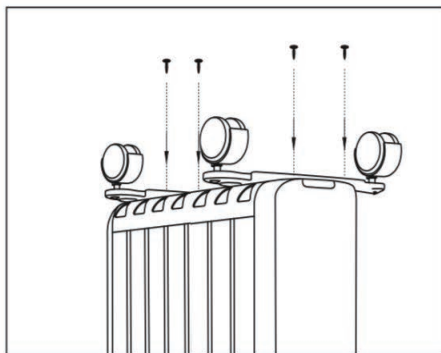
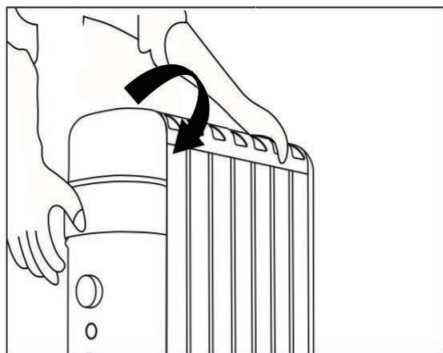
#### 5.1 Instruções de montagem

**AVISO:** o aquecedor só pode ser utilizado com os rodízios montados e na sua posição vertical.

Desembale o aquecedor, com o cuidado de remover todas as peças dos respetivos sacos de plástico e restante embalagem. Guarde a caixa para armazenar o produto quando não precisar dele.

Este aquecedor está equipado com 4 rodízios pré-montados em 2 pés separados na caixa. Para instalar os patins no aquecedor, siga os passos e os diagramas abaixo:

- 1. coloque o aquecedor virado para cima sobre um tapete ou outra superfície macia, para evitar danos;
- 2. instale os 2 pés na parte inferior de ambas as extremidades do aquecedor; alinhe os orifícios dos pés com os orifícios na parte inferior aquecedor em ambas as extremidades, e fixe os pés utilizando os 4 parafusos fornecidos;
- 3. coloque o aquecedor na posição correta, para que se mantenha em cima dos rodízios.



## 5.2 Posicionamento do aquecedor

Este aquecedor destina-se a ser utilizado exclusivamente no chão.

- Coloque sempre o aquecedor em cima de uma superfície plana estável. Podem ocorrer danos se for colocado num local inclinado.
- Este aquecedor irradia calor em todas as direções, por isso mantenha um espaço amplo em redor do mesmo.
- Não coloque este aquecedor muito perto de uma parede ou peça de mobiliário.
- Mantenha todos os materiais combustíveis, como peças de mobiliário, almofadas, lençóis, papel, roupa e cortinas, a pelo menos 1 m de distância deste aquecedor.
- Não coloque nada em cima deste aquecedor.
- Não utilize este aquecedor em locais húmidos ou molhados, como, por exemplo, casas de banho e lavandarias, ou em zonas onde sejam utilizadas ou estejam armazenadas tintas ou outros líquidos inflamáveis ou voláteis.

## 5.3 Utilização do aquecedor

Antes de ligar o aquecedor à tomada elétrica, garanta que:

- a potência da sua rede elétrica coincide com a indicada na etiqueta de classificação do aparelho. O aparelho só pode ser utilizado com a tensão indicada;
- a tomada elétrica utilizada possui uma ligação à terra e não deve ser utilizada com outros aparelhos;
- liga o aparelho diretamente a uma tomada de parede, e não a uma extensão ou a uma tomada múltipla móvel;
- o cabo de alimentação e a tomada elétrica não se encontram danificados;
- quando liga ou desliga o aparelho da tomada, segura sempre a ficha e não o cabo.

Depois de ligar o aparelho à tomada, siga as instruções abaixo para dar início à utilização.

### 5.3.1 Ligar/desligar o aquecedor

Para ligar ou desligar o aquecedor, prima o botão de ligar/desligar.

- Uma vez ligado, o ecrã LED acende e indica a última temperatura definida ou a temperatura predefinida em graus Celsius.
- A temperatura definida é apresentada utilizando um número de 3 dígitos, com uma casa decimal, exceto se o aquecedor estiver no modo ECO. Por exemplo, uma temperatura de 20,5 graus é apresentada como 20s.
- Uma vez ligado, o elemento de aquecimento começa a trabalhar e a irradiar calor utilizando as definições usadas mais recentemente.
- Depois de desligar, o aquecedor reterá todas as definições, como a temperatura e o modo de potência. A definição do temporizador não será mantida.

### 5.3.2 Ajuste da temperatura

Quando o aquecedor apresenta uma temperatura, gire o manípulo de MODO para ajustar a temperatura definida entre 5 e 35 °C.

- Nos modos não ECO, a temperatura definida é alterada em incrementos/decréscimos de 0,5 °C.
- No modo ECO, a temperatura definida é alterada em incrementos/decréscimos de 1 °C.
- Quando a temperatura ambiente atingir a temperatura definida, o elemento de aquecimento parará de trabalhar.
- Quando a temperatura ambiente for inferior à temperatura definida, o elemento de aquecimento começará a trabalhar novamente.

#### Notas:

- para ajustar a temperatura definida enquanto o temporizador está a funcionar, gire o manípulo de MODO para visualizar a temperatura definida e continue e girar o manípulo enquanto a temperatura definida estiver a piscar.

- depois de o aquecedor desligar, este continuará a irradiar calor durante algum tempo, graças às propriedades únicas do seu elemento metálico de aquecimento.

### 5.3.3 Definir o modo de potência

Pode definir o aquecedor para funcionar em 3 modos de potência (H1, H2 e H3) de forma a adaptar-se às necessidades de aquecimento. Veja a tabela abaixo para conhecer as potências nominais destes modos.

H1	H2	H3
750 W	750 W	1500 W

Para alterar o modo de potência, siga os passos abaixo:

1. prima o manípulo de MODO. O aquecedor indicará o atual modo de potência (H1/H2/H3) no ecrã LED durante 3 segundos;
2. enquanto os modos H1/H2/H3 são exibidos, gire o manípulo de MODO e avance pelos modos H1, H2 e H3;
3. quando surgir o seu modo de potência desejado, prima o manípulo de MODO ou aguarde 3 segundos para ativar o novo modo de potência.

Em qualquer momento, pode premir o manípulo de MODO para visualizar o atual modo de potência.

### 5.3.4 Utilização do modo ECO

Pode definir o aquecedor para funcionar no modo ECO (económico). Neste modo, o aquecedor ajusta o seu modo de funcionamento automaticamente, com base na temperatura ambiente, de forma a reduzir o consumo energético.

Para escolher o modo ECO, prima o botão do modo ECO.

- No modo ECO, é exibida a temperatura definida utilizando um número de 2 dígitos, seguido da letra maiúscula **E**. Por exemplo, se a temperatura definida for de 20 °C, verá **20E**.

### 5.3.5 Utilização do modo antigelo

Pode definir o aquecedor para funcionar no modo antigelo. Este modo é útil em zonas como garagens para prevenir danos causados pelo gelo. Neste modo, o elemento de aquecimento liga e desliga de forma a manter uma temperatura ambiente de aproximadamente 5 °C, ajudando a proteger contra o gelo.

Para escolher o modo antigelo, gire o manípulo de MODO no sentido contrário ao dos ponteiros do relógio até ao máximo permitido, até ver a indicação **F** no ecrã LED.

### 5.3.6 Utilização do temporizador

Pode definir o temporizador de forma a permitir que funcione durante um número predefinido de horas (1 a 24).

Para definir o temporizador, siga os passos abaixo:

1. prima continuamente o manípulo de MODO durante 3 segundos. O aquecedor irá apresentar o número predefinido de horas (00h) no ecrã LED e a unidade de tempo (H) piscará durante 3 segundos;
2. com o número de horas predefinido apresentado, gire o manípulo de MODO para avançar pelo número de horas (0 a 24);
3. quando surgir o seu número de horas desejado (1 a 24), prima o manípulo de MODO ou aguarde 3 segundos para iniciar o temporizador.



### Sugestões:

- depois de iniciar o temporizador, o aquecedor apresenta o número de horas predefinido (1 a 24) e continuará a trabalhar de acordo com as definições anteriores. **Nota:** o aquecedor não apresentará o tempo remanescente do temporizador;
- quando o temporizador está ativado, pode alterar as definições do aquecedor, como a temperatura definida e o modo de potência, conforme descrito nas secções anteriores deste manual do utilizador. A alteração de tais definições não afetará o temporizador;
- quando o temporizador termina, o aquecedor entrará automaticamente no modo antigelo;
- para terminar o temporizador de imediato, prima o botão de ligar/desligar ou prima continuamente o manípulo de MODO durante 3 segundos.

### 5.3.7 Outras funcionalidades

#### Função de memória

Se desligar e/ou retirar a ficha do aquecedor da tomada, o aquecedor regressará ao seu último estado (modo de funcionamento e temperatura) assim que o ligar novamente.

**Nota:** Isto não se aplica à definição do temporizador.

#### Proteção de sobreaquecimento

O aquecedor está equipado com um interruptor de proteção de sobreaquecimento (corte térmico) que desligará o aquecedor automaticamente em caso de sobreaquecimento. Se tal acontecer, siga os passos abaixo para resolver o problema:

1. desligue o aquecedor da tomada e permita que arrefeça completamente;
2. identifique e elimine a origem do sobreaquecimento, como uma fraca ventilação ou um artigo a cobrir o aquecedor;
3. siga as instruções de funcionamento para reiniciar o aquecimento;
4. o aquecedor deverá funcionar normalmente outra vez. Se o problema persistir, contacte o nosso Serviço de Apoio ao Cliente para obter assistência.

#### Proteção contra derrubamentos

O aquecedor está equipado com um interruptor contra derrubamentos que cortará a energia do mesmo se este for derrubado. Se tal acontecer, siga os passos abaixo para resolver o problema:

1. desligue o aquecedor da tomada e permita que arrefeça completamente;
2. coloque o aquecedor novamente numa superfície lisa, sólida e estável;
3. inspecione e verifique se o aquecedor sofreu danos;
4. se, e apenas se o aquecedor não apresentar danos, siga as instruções de funcionamento para reiniciar o aquecedor.
5. o aquecedor deverá funcionar normalmente outra vez. Se o problema persistir, contacte o nosso Serviço de Apoio ao Cliente para obter assistência.

#### Obscurecimento automático do ecrã

Se o utilizador não realizar qualquer ação, o ecrã LED irá obscurecer automaticamente após 60 segundos, para reduzir o consumo energético.

## 6. MANUTENÇÃO E LIMPEZA

### Limpeza

Ao longo do tempo, pó pode acumular-se por cima e no interior do aquecedor, o que pode afetar o seu desempenho. Recomendamos a limpeza do aquecedor pelo menos uma vez por mês.

1. Desligue o aquecedor e retire a ficha da tomada elétrica.
2. Aguarde até o aquecedor arrefecer completamente.
3. Limpe a superfície da unidade com um pano macio e húmido. Pode utilizar um detergente suave para retirar marcas teimosas.

### Notas:

- não utilize detergentes agressivos, produtos de limpeza químicos ou solventes, pois podem danificar o acabamento da superfície do aquecedor;
- nunca mergulhe o aquecedor em água;
- não permita que água ou outros líquidos escorram para o interior do aquecedor, pois tal poderá originar um incêndio e/ou risco elétrico;
- também recomendamos uma limpeza periódica do aquecedor, passando com cuidado o bocal de um aspirador sobre os reforços para remover qualquer pó ou sujidade que se possa ter acumulado no interior ou por cima do aquecedor;
- certifique-se de que o aquecedor está seco antes de o ligar novamente à tomada.

**AVISO:** nunca tente abrir o aquecedor. Não existem peças passíveis de manutenção pelo utilizador.

### Armazenamento

Se não pretender utilizar o aquecedor durante um período de tempo prolongado, após proceder à sua limpeza:

1. certifique-se de que desligou o aquecedor e que retirou a ficha da tomada elétrica;
2. cubra o aquecedor e guarde-o na posição vertical, num local seco onde não receba luz solar direta. **Nota:** uma exposição prolonga à luz solar direta provocará a descoloração da unidade.

## 7. GARANTIAS E LIMITES DE RESPONSABILIDADE

Este produto possui garantia durante um período de 36 meses (incluindo a garantia legal de 24 meses, tal como definido pela legislação local, bem como uma garantia comercial de 12 meses adicional oferecida pela marca) a partir da data de compra, contra qualquer falha resultante de um defeito de fabrico ou de material.

Esta garantia não cobre danos resultantes de má instalação, utilização incorreta ou do desgaste normal do produto. Mais precisamente, a garantia não cobre:

- danos ou problemas causados pela utilização incorreta, acidentes, alteração ou ligação elétrica com corrente ou tensão incorretas;
- produtos modificados, aqueles em que o selo de garantia ou o número de série tenham sido danificados, alterados, eliminados ou oxidados;
- baterias substituíveis e acessórios que possuem uma garantia de 6 meses;
- falha da bateria devido a um carregamento demasiado prolongado ou devido ao desrespeito das instruções de segurança explicadas no manual;
- danos estéticos, incluindo riscos, saliências e qualquer outro elemento;
- danos causados por qualquer intervenção efetuada por qualquer pessoa não autorizada;
- defeitos causados pelo desgaste normal ou devidos ao envelhecimento normal do produto;
- atualizações do programa, devido a alterações nas configurações de rede;
- falhas no produto devido à utilização de programas de terceiros para modificar, alterar, adaptar ou modificar o já existente;

- falhas do produto devido à utilização sem os acessórios homologados pelo fabricante.
- produtos oxidados.

Em caso algum, o fabricante pode ser responsabilizado pela perda de dados armazenados no disco. Além disso, o fabricante não tem que verificar se os cartões SIM/SD foram devidamente retirados dos produtos devolvidos.

Os produtos reparados ou substituídos podem incluir componentes e equipamentos novos e/ou reconicionados.

## MÉTODOS DE ACIONAMENTO

Para obter um serviço de garantia, deve trazer o seu produto ao local de venda juntamente com o comprovativo de compra (talão de caixa, fatura, etc.) do produto e os respetivos acessórios fornecidos com a sua embalagem original.

É importante ter conhecimento da data de compra, do modelo e do número de série ou IMEI (estas informações aparecem habitualmente no produto, na embalagem ou no comprovativo de compra).

Caso contrário, deve trazer o produto com os acessórios necessários para o seu correto funcionamento (alimentação, adaptador, etc.).

No caso em que a sua reclamação seja coberta pela garantia, o serviço pós-venda poderá, dentro dos limites da legislação local:

- Reparar ou substituir as peças defeituosas.
- Trocar o produto entregue por um produto que tenha, pelo menos, as mesmas funcionalidades e que seja equivalente em termos de desempenho.
- Reembolsar o produto pelo preço de compra mencionado no comprovativo de compra.

No caso de uma reparação coberta pela garantia, esta estende-se por um período de 6 meses, mas não é, em caso algum, acumulável em caso de avarias repetidas.

## 8. INSTRUÇÕES RELACIONADAS COM A ELIMINAÇÃO

O símbolo do caixote do lixo riscado apresentado abaixo indica que este produto não deve ser eliminado juntamente com os resíduos domésticos. Este produto deve ser entregue num serviço ou ponto de reciclagem para aparelhos elétricos e equipamento eletrónico. Estas medidas servem para evitar riscos para a saúde e prevenir danos ambientais. As empresas locais (ou a estação ambiental da sua localidade) são obrigadas, por lei, a aceitar e a reciclar tais produtos, providenciando uma eliminação ambientalmente adequada.



# SPIS TREŚCI

1. INSTRUKCJE BEZPIECZEŃSTWA	S. 44
2. SPECYFIKACJA TECHNICZNA	S. 46
3. ZAWARTOŚĆ OPAKOWANIA	S. 48
4. OPIS PRODUKTU	S. 48
5. KORZYSTANIE Z PRODUKTU	S. 48
6. KONSERWACJA I CZYSZCZENIE	S. 52
7. GWARANCJA I OGRANICZENIE ODPOWIEDZIALNOŚCI	S. 52
8. INSTRUKCJE DOTYCZĄCE UTYLIZACJI	S. 53

PL

## 1. INSTRUKCJE BEZPIECZEŃSTWA

Przed użyciem urządzenia należy dokładnie przeczytać niniejszą instrukcję obsługi i zachować ją w celu skorzystania w przyszłości.



### **OSTRZEŻENIE!**

Należy przestrzegać wszystkich wskazówek dotyczących bezpieczeństwa



Przed użyciem należy przeczytać instrukcję



### **OSTRZEŻENIE!**

Nie przykrywać urządzenia

1. Termowentylator jest przeznaczony wyłącznie do niewielkich zastosowań domowych. Nie jest on przeznaczony do zastosowań intensywnych, komercyjnych lub przemysłowych i nie jest odpowiedni do użytku poza pomieszczeniami.
2. Nie należy używać tego urządzenia do suszenia ubrań, skarpet, butów i innych podobnych przedmiotów.

3. Z niniejszego urządzenia mogą korzystać dzieci od lat 8 oraz osoby o ograniczonych zdolnościach fizycznych, sensorycznych i umysłowych lub nieposiadające doświadczenia i wiedzy, jeśli pozostają pod nadzorem lub zostały poinstruowane odnośnie do korzystania z urządzenia w bezpieczny sposób i rozumieją związane z tym zagrożenia. Dzieci nie powinny bawić się urządzeniem. Czyszczenie i konserwacja dokonywane przez dzieci nie powinny odbywać się bez nadzoru. Dzieci poniżej 3 lat powinny pozostawać w bezpiecznej odległości, chyba że są pod stałym nadzorem.
4. Dzieci w wieku od 3 do 8 lat mogą włączać i wyłączać urządzenie tylko wtedy, gdy zostało ono umieszczone lub zamontowane w przewidzianym dla niego prawidłowym położeniu oraz gdy przebywają pod nadzorem dorosłych lub gdy otrzymały instrukcje dotyczące bezpiecznego korzystania z urządzenia i rozumieją związane z tym zagrożenia. Dzieciom w wieku od 3 lat do 8 lat nie wolno podłączać urządzenia do prądu, regulować i czyścić go ani wykonywać czynności konserwacyjnych.
5. **OSTROŻNIE:** Niektóre części tego produktu mogą się bardzo nagrzać i spowodować oparzenia. Szczególną uwagę należy zwrócić na miejsca, w których przebywają dzieci i osoby wymagające szczególnej opieki.
6. **OSTRZEŻENIE:** Nie używać tego termowentylatora w małych pomieszczeniach, gdy przebywają w nich osoby niezdolne do samodzielnego opuszczenia pomieszczenia, chyba że są one pod stałym nadzorem.
7. Jeśli przewód zasilający ulegnie uszkodzeniu, jego wymianę powinien przeprowadzić producent, jego przedstawiciel serwisowy lub osoby o podobnych kwalifikacjach, aby uniknąć zagrożenia.

8. **OSTROŻNIE:** Aby uniknąć zagrożenia związanego z niezamierzonym resetem wyłącznika termicznego, urządzenia nie wolno zasilać za pomocą zewnętrznego urządzenia przełączającego, takiego jak np. wyłącznik czasowy, ani podłączać do obwodu, który jest regularnie włączany i wyłączany.
9. **OSTRZEŻENIE:** Nie wolno przykrywać urządzenia. Może to grozić przegrzaniem.
10. Termowentylatora nie można umieszczać bezpośrednio pod gniazdkiem elektrycznym.
11. **OSTRZEŻENIE:** Aby zmniejszyć ryzyko pożaru, tkaniny, zasłony lub inne materiały łatwopalne muszą znajdować się w odległości co najmniej 1 m od wylotu powietrza.
12. Nie wolno używać tego urządzenia blisko wanny, prysznicza lub basenu. Nie wolno umieszczać urządzenia w miejscu, w którym mogłoby ono wpaść do wanny lub innego zbiornika z wodą.
13. Zawsze używać nagrzewnicy na poziomej, stabilnej powierzchni.
14. Nie należy używać grzejnika, który został upuszczony.
15. Nie używać nagrzewnicy, jeśli nosi widoczne oznaki uszkodzenia.
16. Urządzenie należy zawsze odłączać od prądu, gdy się go nie używa.

## 2. SPECYFIKACJA TECHNICZNA

Zasilanie	230 V~, 50–60 Hz
Moc znamionowa	1500 W
Tryby pracy	3
Termostat (T/N)	Y
Wyłącznik czasowy (T/N)	Y
Turbo wentylator (T/N)	N
Masa netto	4.8kg
Wymiary (szer. × gł. × wys.)	375*245*635mm

## 2.1 Wymagania informacyjne dotyczące elektrycznych ogrzewaczy pomieszczeń

Oznaczenie modelu: GBXE01-7					
Parametr	Symbol	Wartość	Jednostka	Parametr	Jednostka
<b>Moc cieplna</b>				<b>Sposób doprowadzania ciepła, wyłącznie w przypadku elektrycznych akumulacyjnych miejscowych ogrzewaczy pomieszczeń (należy wybrać jedną opcję)</b>	
Nominalna moc cieplna	$P_{nom}$	1,5	kW	ręczny regulator doprowadzania ciepła z wbudowanym termostatem	Nie dotyczy
Minimalna moc cieplna (orientacyjna)	$P_{min}$	0,7	kW	ręczny regulator doprowadzania ciepła z pomiarem temperatury w pomieszczeniu lub na zewnątrz	Nie dotyczy
Maksymalna stała moc cieplna	$P_{max,c}$	1,5	kW	elektroniczny regulator doprowadzania ciepła z pomiarem temperatury w pomieszczeniu lub na zewnątrz	Nie dotyczy
<b>Zużycie energii elektrycznej na potrzeby własne</b>				moc cieplna regulowana wentylatorem	
Przy nominalnej mocy cieplnej	$e_{l_{max}}$	0,000	kW	<b>Rodzaj mocy cieplnej/regulacja temperatury w pomieszczeniu (należy wybrać jedną opcję)</b>	
Przy minimalnej mocy cieplnej	$e_{l_{min}}$	0,000	kW	jednostopniowa moc cieplna bez regulacji temperatury w pomieszczeniu	Nie
W trybie czuwania	$e_{l_{SB}}$	0.0007	kW	dwa lub więcej etapów manualnych, brak sterowania temperaturą w pomieszczeniu	Nie
				mechaniczna regulacja temperatury w pomieszczeniu za pomocą termostatu	Nie
				elektroniczna regulacja temperatury w pomieszczeniu	Nie
				elektroniczna regulacja temperatury w pomieszczeniu ze sterownikiem dobowym	Tak
				elektroniczna regulacja temperatury w pomieszczeniu ze sterownikiem tygodniowym	Nie
				<b>Inne opcje regulacji (można wybrać kilka)</b>	
				regulacja temperatury w pomieszczeniu z wykrywaniem obecności	Nie
				regulacja temperatury w pomieszczeniu z wykrywaniem otwartego okna	Nie
				z regulacją na odległość	Nie
				z adaptacyjną regulacją startu	Nie
				z ograniczeniem czasu pracy	Nie
				z czujnikiem ciepła promieniowania	Nie
Dane teled adresowe		Auchan – SAS OIA, 200, rue de la Recherche, Le Colibri BP 169, 59650 Villeneuve d'Ascq, Francja – <a href="http://www.auchan-retail.com/contact">www.auchan-retail.com/contact</a>			

PL

### 3. ZAWARTOŚĆ OPAKOWANIA

- 1 x grzejnik bezolejowy
- 2 x podstawy z zamocowanymi 4 kółkami
- 1 x Instrukcja obsługi

### 4. OPIS PRODUKTU

#### 4.1 Lista części

- 1. Wyświetlacz LED
- 2. Pokrętko TRYBU
- 3. Przycisk trybu ECO
- 4. Przycisk zasilania
- 5. Kółko
- 6. Podstawa
- 7. Uchwyt

PL

### 5. KORZYSTANIE Z PRODUKTU

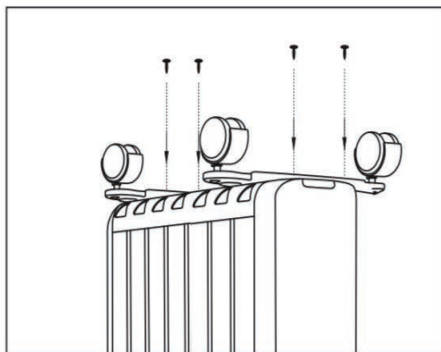
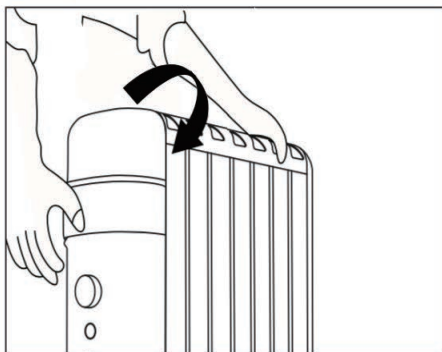
#### 5.1 Instrukcja montażu

**OSTRZEŻENIE:** Grzejnik należy obsługiwać wyłącznie z zamocowanymi kółkami i w pozycji pionowej.

Ostrożnie rozpakować grzejnik, wyjąć wszystkie części z plastikowych torebek i pozostałych opakowań. Karton można zachować do przechowywania urządzenia poza sezonem grzewczym.

Grzejnik jest sprzedawany z 4 kółkami w zestawie, które są wstępnie zamontowane na 2 oddzielnych podstawach w pudełku. Aby zamontować podstawy do grzejnika, należy postępować zgodnie z poniższymi instrukcjami i schematami:

- 1. Odwrócić grzejnik do góry nogami, stawiając go na dywanie lub innej miękkiej powierzchni, aby uniknąć uszkodzenia.
- 2. Zamontować 2 podstawy do spodu grzejnika, po obu końcach jego obudowy. Dopasować otwory w podstawach do otworów w dolnej części obudowy grzejnika na obu końcach, a następnie przymocować podstawy za pomocą 4 śrub znajdujących się w zestawie.
- 3. Ustawić grzejnik w prawidłowej orientacji, tak aby stał na kółkach.





## 5.2 Ustawienie termowentylatora

Grzejnik przeznaczony jest wyłącznie do użytku na podłodze.

- Termowentylator należy zawsze ustawiać na płaskiej i stabilnej powierzchni. Jeśli postawi się go na pochyłej powierzchni, może dojść do uszkodzenia.
- Grzejnik emituje ciepło we wszystkich kierunkach, dlatego wokół niego zawsze należy pozostawić wystarczająco dużo miejsca.
- Nie umieszczać grzejnika zbyt blisko ściany lub mebli.
- Wszystkie materiały łatwopalne, takie jak meble, poduszki, pościel, papier, ubrania i zasłony, powinny znajdować się w odległości co najmniej 1 metra od grzejnika.
- Na grzejniku nie wolno stawiać żadnych przedmiotów.
- Nie używać grzejnika w miejscach wilgotnych lub mokrych, na przykład w łazienkach i pralniach, ani w miejscach, w których używa się farb lub innych łatwopalnych lub lotnych płynów lub się je przechowuje.

## 5.3 Obsługa termowentylatora

Przed podłączeniem termowentylatora do prądu należy upewnić się, że:

- zasilanie elektryczne jest zgodne z parametrami podanymi na etykiecie znamionowej urządzenia; urządzenie będzie używane wyłącznie zgodnie z przeznaczeniem;
- Gniazdko elektryczne, do którego podłączone zostanie urządzenie, ma uziemienie i nie jest zajęte przez inne urządzenia.
- urządzenie będzie podłączone bezpośrednio do gniazdka ściennego, a nie do przedłużacza lub przenośnej listwy zasilającej;
- przewód zasilający i wtyczka nie są uszkodzone;
- podczas podłączania i odłączania zasilania zawsze trzyma się za wtyczkę, a nie za przewód;

Po podłączeniu termowentylatora do prądu należy postępować zgodnie z poniższymi instrukcjami, aby rozpocząć jego użytkowanie.

### 5.3.1 Włączanie/wyłączanie termowentylatora

Aby włączyć lub wyłączyć grzejnik, należy nacisnąć przycisk zasilania.

- Po włączeniu wyświetlacz LED zaświeci się i wyświetli domyślną lub ostatnio ustawioną temperaturę w stopniach Celsjusza.
- Ustawiona temperatura wyświetla się w formie trzycyfrowej liczby z jednym miejscem po przecinku, chyba że grzejnik pracuje w trybie ECO. Na przykład, temperatura 20,5 stopni wyświetla się jako 20s.
- Po włączeniu element grzejny zaczyna pracować i emitować ciepło zgodnie z ostatnio używanymi ustawieniami.
- Po wyłączeniu grzejnik zachowuje wszystkie ustawienia, takie jak temperatura i tryb pracy. Ustawienie wyłącznika czasowego nie zostanie zachowane.

### 5.3.2 Regulacja temperatury

Gdy grzejnik wyświetla temperaturę, należy obrócić pokrętkę TRYBU, aby zmienić ustawioną temperaturę w zakresie od 5 do 35°C.

- W trybach innych niż tryb ECO ustawienie temperatury można zwiększać/zmniejszać o 0,5°C.
- W trybie ECO ustawienie temperatury można zwiększać/zmniejszać o 1°C.
- Gdy temperatura otoczenia osiągnie ustawioną temperaturę, element grzejny zatrzyma pracę.
- Gdy temperatura otoczenia spadnie poniżej ustawionej temperatury, element grzejny zacznie ponownie pracować.

#### Uwagi:

- Aby zmienić ustawioną temperaturę podczas pracy wyłącznika czasowego, należy obrócić pokrętkę TRYBU, aż na wyświetlaczu pojawi się ustawiona temperatura, i dalej obracać pokrętkę, gdy ustawiona temperatura miga.

- Po wyłączeniu grzejnik będzie jeszcze przez jakiś czas emitował ciepło z powodu wyjątkowych właściwości jego metalowego elementu grzejnego.

### 5.3.3 Ustawianie trybu pracy

W celu dostosowania do różnych wymagań grzewczych dostępne są 3 tryby ogrzewania (H1, H2 i H3). Wartości znamionowe mocy dla poszczególnych trybów pracy podano w poniższej tabeli.

H1	H2	H3
750 W	750 W	1500 W

Aby zmienić tryb pracy, należy wykonać poniższe czynności:

1. Nacisnąć pokrętkę TRYBU. Na wyświetlaczu LED grzejnika przez 3 sekundy będzie się wyświetlał bieżący tryb pracy (H1/H2/H3).
2. Gdy na wyświetlaczu widoczny jest tryb H1/H2/H3, należy przekręcić pokrętkę TRYBU, aby wybrać kolejno tryby H1, H2 i H3.
3. Gdy pojawi się żądany tryb pracy, należy nacisnąć pokrętkę TRYBU lub odczekać 3 sekundy, aby uaktywnić nowy tryb pracy.

W dowolnym momencie można nacisnąć pokrętkę TRYBU, aby wyświetlić bieżący tryb pracy.

### 5.3.4 Korzystanie z trybu ECO

Grzejnik można ustawić na pracę w trybie ECO (ekonomicznym). W tym trybie grzejnik automatycznie dostosowuje swój tryb pracy na podstawie temperatury otoczenia, aby zmniejszyć zużycie energii.

Aby włączyć tryb ECO grzejnika, należy nacisnąć przycisk trybu ECO.

- W trybie ECO ustawiona temperatura wyświetli się w formie dwucyfrowej liczby, po której następuje duża litera **E**. Na przykład, jeśli ustawiona temperatura to 20°C, pojawi się 20E.

### 5.3.5 Korzystanie z trybu zapobiegającemu zamarzaniu

Grzejnik można ustawić na pracę w trybie zapobiegającym zamarzaniu. Ten tryb sprawdza się w takich miejscach, jak garaże, ponieważ zapobiega uszkodzeniom spowodowanym przez mróz. W tym trybie element grzewczy będzie włączał i wyłączał się, aby utrzymać temperaturę otoczenia na poziomie około 5°C, zapewniając ochronę przed zamarzaniem.

Aby ustawić grzejnik w trybie zapobiegającym zamarzaniu, należy obrócić pokrętkę TRYBU całkowicie w kierunku przeciwnym do ruchu wskazówek zegara, aż na wyświetlaczu LED pojawi się **F**.

### 5.3.6 Korzystanie z wyłącznika czasowego

Wyłącznik czasowy można ustawić tak, aby grzejnik działał tylko przez określoną liczbę godzin (od 1 do 24).

Aby ustawić wyłącznik czasowy, należy wykonać poniższe czynności:

1. Nacisnąć i przytrzymać pokrętkę TRYBU przez 3 sekundy. Grzejnik wyświetli zaprogramowaną liczbę godzin (00H) na wyświetlaczu LED. Jednostka czasu (H) będzie migać przez 3 sekundy.
2. Gdy wyświetli się ustawiona liczba godzin, należy przekręcić pokrętkę TRYBU, aby wybrać żądaną liczbę godzin (od 0 do 24).
3. Po wyświetleniu żądanej liczby godzin (od 1 do 24) należy nacisnąć pokrętkę TRYBU lub odczekać 3 sekundy, aby wyłącznik czasowy uruchomił się.

## Porady:

- Po uruchomieniu wyłącznika czasowego na grzejniku wyświetli się wybrana liczba godzin (1 do 24). Grzejnik będzie dalej pracował w trybie poprzednich ustawień. **Uwaga:** Na termowentylatorze nie wyświetla się czas pozostały do końca pracy wyłącznika czasowego.
- Podczas pracy z włączonym wyłącznikiem czasowym można zmieniać ustawienia grzejnika, takie jak ustawiona temperatura i tryb pracy, zgodnie z opisem w poprzednich częściach niniejszej instrukcji. Zmiana tych ustawień nie będzie miała wpływu na działanie wyłącznika czasowego.
- Gdy licznik czasu wyłącznika dobiegnie końca, grzejnik automatycznie przejdzie w tryb zapobiegający zamarzaniu.
- Aby natychmiast zakończyć działanie wyłącznika czasowego, należy nacisnąć przycisk zasilania lub nacisnąć i przytrzymać przez 3 sekundy pokrętko TRYBU.

### 5.3.7 Inne funkcje

#### Funkcja pamięci

Jeśli grzejnik zostanie wyłączony i/lub odłączony od zasilania, po ponownym włączeniu powróci do poprzedniego stanu (tryb pracy i temperatura). **Uwaga:** Nie dotyczy to ustawienia wyłącznika czasowego.

#### Zabezpieczenie przed przegrzaniem

Termowentylator jest wyposażony w wyłącznik zabezpieczający przed przegrzaniem (wyłącznik termiczny), który automatycznie wyłączy termowentylator w przypadku przegrzania. Jeśli do tego dojdzie, należy wykonać poniższe czynności, aby rozwiązać problem:

1. Odłączyć termowentylator od zasilania i pozostawić go do całkowitego ostygnięcia.
2. Znaleźć i usunąć źródło przegrzania, takie jak słaba wentylacja lub przedmiot zakrywający termowentylator.
3. Aby ponownie uruchomić termowentylator, należy postępować zgodnie z instrukcją obsługi.
4. Termowentylator powinien powrócić do normalnego działania. Jeśli problem nie ustąpi, należy skontaktować się z naszym Działem Obsługi Klienta w celu uzyskania porady.

#### Ochrona przed przewróceniem

Termowentylator jest wyposażony w wyłącznik zabezpieczający w przypadku przewrócenia, który odcina zasilanie termowentylatora. Jeśli do tego dojdzie, należy wykonać poniższe czynności, aby rozwiązać problem:

1. Odłączyć termowentylator od zasilania i pozostawić go do całkowitego ostygnięcia.
2. Termowentylator należy umieścić z powrotem na płaskiej, równej i stabilnej powierzchni.
3. Sprawdzić, czy nie doszło do uszkodzenia termowentylatora.
4. Wyłącznie w przypadku braku stwierdzenia uszkodzeń termowentylator można ponownie uruchomić, postępując według instrukcji obsługi.
5. Termowentylator powinien powrócić do normalnego działania. Jeśli problem nie ustąpi, należy skontaktować się z naszym Działem Obsługi Klienta w celu uzyskania porady.

#### Automatycznie przyciemnianie wyświetlacza

Jeśli użytkownik nie wykona żadnego działania, wyświetlacz LED automatycznie przyciemni się po 60 sekundach, aby zmniejszyć zużycie energii.

## 6. KONSERWACJA I CZYSZCZENIE

### Czyszczenie

Z czasem na termowentylatorze i wewnątrz niego może gromadzić się kurz, który może negatywnie wpływać na jego działanie. Zaleca się czyszczenie termowentylatora co najmniej raz w miesiącu.

1. Należy wyłączyć termowentylator i odłączyć go od źródła zasilania.
2. Poczekać, aż termowentylator całkowicie ochłodzi się.
3. Przetrzeć powierzchnię urządzenia miękką, wilgotną ściereczką. W przypadku uporczywych zabrudzeń można użyć łagodnego detergentu.

### Uwagi:

- Nie używać silnych detergentów, chemicznych środków czyszczących ani rozpuszczalników, ponieważ mogą one uszkodzić powierzchnię termowentylatora.
- Nie wolno zanurzać termowentylatora w wodzie.
- Nie wolno dopuścić do przedostania się wody lub innych płynów do wnętrza termowentylatora, ponieważ może to spowodować pożar i/lub stworzyć zagrożenie elektryczne.
- Zalecamy także regularne delikatne czyszczenie osłon zabezpieczających termowentylatora dyszą odkurzacza w celu usunięcia kurzu i brudu, które mogą się gromadzić w środku lub na termowentylatorze.
- Przed ponownym podłączeniem do prądu należy sprawdzić, czy termowentylator jest suchy.

**OSTRZEŻENIE:** Nie wolno nigdy otwierać obudowy termowentylatora. Ten produkt nie zawiera części, które mogą być serwisowane przez użytkownika.

### Miejsce

Jeśli termowentylatora nie będzie się używać przez dłuższy czas, po wyczyszczeniu go należy:

1. Wyłączyć termowentylator i odłączyć go od źródła zasilania.
2. Przykryć termowentylator i przechowywać go w pozycji pionowej w suchym miejscu, z dala od bezpośredniego działania promieni słonecznych. **Uwaga:** Długie wystawienie na bezpośrednie działanie promieni słonecznych spowoduje odbarwienie urządzenia.

## 7. GWARANCJA I OGRANICZENIE ODPOWIEDZIALNOŚCI

Na ten produkt udzielana jest 36-miesięczna gwarancja (w tym 24-miesięczna gwarancja prawna według prawa miejscowego oraz dodatkowa 12-miesięczna gwarancja handlowa oferowana przez markę) od daty zakupu na wszelkie uszkodzenia wynikające z wady wykonania lub wady materiału.

Niniejsza gwarancja nie obowiązuje w przypadku uszkodzeń wynikających z nieprawidłowej instalacji, niewłaściwego użytkowania lub normalnego zużycia produktu. W ujęciu bardziej szczegółowym, gwarancja nie obowiązuje:

- w przypadku uszkodzeń lub problemów spowodowanych niewłaściwym użytkowaniem, wypadkiem, przeprowadzeniem jakichkolwiek przeróbek urządzenia lub podłączeniem go do zasilania elektrycznego o nieprawidłowych parametrach natężenia lub napięcia,
- w przypadku przeprowadzenia modyfikacji urządzeń, których plomba gwarancyjna lub numer seryjny zostały uszkodzone, naruszone, usunięte lub uległy oksydacji,
- w odniesieniu do baterii przeznaczonych do wymiany i akcesoriów, okres gwarancji wynosi 6 miesięcy,
- w przypadku uszkodzeń baterii, spowodowanych zbyt długim ładowaniem lub brakiem przestrzegania zamieszczonych w instrukcji obsługi wskazówek bezpieczeństwa,
- uszkodzeń o charakterze estetycznym, takich jak zarysowania, wybrzuszenia lub podobne uszkodzenia,

- w przypadku uszkodzeń spowodowanych przeprowadzeniem jakichkolwiek prac przez osoby nieuprawnione,
- w przypadku uszkodzeń spowodowanych normalnym zużyciem lub starzeniem się produktu,
- w przypadku aktualizacji oprogramowania związanych z modyfikacją parametrów sieci,
- w przypadku uszkodzeń produktu spowodowanych użyciem oprogramowania innych producentów w celu zmodyfikowania, adaptacji lub modyfikacji oprogramowania istniejącego,
- w przypadku uszkodzeń produktu spowodowanych jego użyciem bez akcesoriów zatwierdzonych przez producenta,
- w odniesieniu do produktów, które uległy działaniu oksydacji.

Producent nie ponosi w żadnym wypadku odpowiedzialności za utratę danych przechowywanych na dysku. Analogicznie, producent nie ponosi żadnej odpowiedzialności za sprawdzenie, czy ze zwracanych produktów zostały wyjęte karty SIM/SD. W produktach naprawionych lub wymienionych mogą znajdować się komponenty oraz wyposażenie nowe i/lub wykorzystywane ponownie.

### SPOSOBY ZGŁASZANIA ROSZCZENIA GWARANCYJNEGO

Aby skorzystać z praw gwarancyjnych, należy odnieść produkt, zapakowany w oryginalne opakowanie, do miejsca, w którym został zakupiony, wraz z dowodem jego zakupu (paragon kasowy, faktura itp.) oraz dostarczanych akcesoriów.

Należy również dysponować takimi informacjami jak data zakupu, model i numer seryjny lub numer IMEI (informacje te znajdują się najczęściej na produkcie, jego opakowaniu lub dokumencie stanowiącym dowód zakupu).

Jeśli brak tych informacji, należy dostarczyć produkt z wszystkimi akcesoriami niezbędnymi do jego prawidłowego funkcjonowania (zasilacz, adapter itd.).

W przypadku, gdy reklamacja jest objęta gwarancją, w zależności od obowiązujących przepisów miejscowych, serwis naprawczy może:

- przeprowadzić naprawę lub wymienić uszkodzone części,
- zamienić zwracany produkt na inny o co najmniej takiej samej funkcjonalności i równoważnych parametrach wydajnościowych,
- zwrócić cenę zakupu produktu, określoną w dokumencie stanowiącym dowód zakupu.

W przypadku naprawy objętej gwarancją okres gwarancji zostanie przedłużony o 6 miesięcy, ale nie będzie się kumulował w przypadku powtarzających się awarii.

## 8. INSTRUKCJE DOTYCZĄCE UTYLIZACJI

Poniższy symbol przekreślonego pojemnika na śmieci oznacza, że tego produktu nie należy wyrzucać razem z odpadami komunalnymi. Produkt należy oddać do punktu recyklingu lub do pojemnika na urządzenia elektryczne i sprzęt elektroniczny. Jest to konieczne, aby uniknąć zagrożenia dla zdrowia i zapobiec szkodom dla środowiska. Lokalne przedsiębiorstwa (lub stacja ochrony środowiska) są zobowiązane przez prawo do przyjmowania i recyklingu takich produktów w ramach ekologicznej utylizacji.



# TARTALOMJEGYZÉK

1. BIZTONSÁGI UTASÍTÁSOK	54. o.
2. MŰSZAKI ADATOK	56. o.
3. A CSOMAG TARTALMA	58. o.
4. TERMÉKLEÍRÁS	58. o.
5. A TERMÉK HASZNÁLATA	58. o.
6. KARBANTARTÁS ÉS TISZTÍTÁS	61. o.
7. GARANCIA ÉS JÓTÁLLÁSI FELTÉTELEK	62. o.
8. HULLADÉKKEZELÉSI UTASÍTÁSOK	63. o.

## 1. BIZTONSÁGI UTASÍTÁSOK

HU

A termék használata előtt olvassa el figyelmesen az alábbi utasításokat, és őrizze meg a felhasználói kézikönyvet későbbi használatra.



### FIGYELME- ZTETÉS!

Tartsa be az összes biztonsági útmutatást



Használat előtt olvassa el a kézikönyvet



### FIGYELME- ZTETÉS!

Ne takarja le a terméket

1. A fűtőberendezést csak könnyű háztartási használatra tervezték. Nem nagy igénybevételű, kereskedelmi vagy ipari felhasználásra készült, és nem alkalmas kültéri használatra.
2. Ne használja ezt a készüléket ruhák, zoknik, cipők és más hasonló tárgyak szárítására.
3. A készüléket nyolc évesnél idősebb gyerekek, korlátozott fizikai, érzékszervi vagy mentális képességű személyek, valamint megfelelő tudással vagy ismeretekkel nem rendelkező személyek kizárólag felügyelet mellett, illetve abban az

esetben használhatják, ha a készülék biztonságos kezeléséről tájékoztatást kaptak, és tisztában vannak az ahhoz kapcsolódó kockázatokkal. A készülékkel gyermekek nem játszhatnak. A készülék tisztítását és felhasználói karbantartását gyerekek felügyelet nélkül nem végezhetik. A 3 évesnél fiatalabb gyermekek csak folyamatos felügyelet mellett tartózkodhatnak a készülék közelében.

4. 3 és 8 év közötti gyermekek csak akkor kapcsolhatják be/ki a készüléket, ha azt rendeltetésszerűen, normál működési helyére rakták vagy szerelték fel, és felügyelik őket, vagy instrukciókat kaptak a készülék biztonságos használatára vonatkozóan, és megértették az ezzel járó veszélyeket. 3 és 8 év közötti gyermekek nem csatlakoztathatják, szabályozhatják és tisztíthatják a készüléket, és nem végezhetnek felhasználói karbantartást.
5. **FIGYELEM:** A termék egyes részei nagyon forróak lehetnek és égési sérüléseket okozhatnak. Különös figyelmet kell fordítani ott, ahol gyermekek és kiszolgáltató személyek vannak jelen.
6. **FIGYELMEZTETÉS:** Ne használja ezt a fűtőkészüléket kis helyiségekben, ha azokban olyan személyek tartózkodnak, akik nem képesek önállóan elhagyni a helyiséget, kivéve, ha állandó felügyeletet biztosítanak.
7. Ha a tápkábel sérült, a balesetek elkerülése érdekében a gyártónak, az értékesítés utáni szervizszolgáltató cég képviselőjének, vagy hasonlóan képzett szakembernek kell kicserélnie.
8. **FIGYELEM:** A hőkapcsoló véletlen visszaállításából eredő veszélyek elkerülése érdekében ezt a készüléket nem szabad külső kapcsolókészüléken, például időzítőkapcsolón keresztül táplálni, vagy rendszeresen be- és kikapcsolt áramkörhöz csatlakoztatni.

9. **FIGYELMEZTETÉS:** A túlmelegedés elkerülése érdekében ne takarja le a készüléket.
10. A fűtőkészüléket nem szabad közvetlenül a csatlakozó aljzat alatt elhelyezni.
11. **FIGYELMEZTETÉS:** A tűzveszély csökkentése érdekében tartsa a textíliákat, függönyöket vagy bármilyen más gyúlékony anyagot legalább 1 m távolságra a légkivezetéstől.
12. Ne használja a készüléket kád, zuhanyzó vagy úszómedence közvetlen közelében. Soha ne helyezze ezt a készüléket olyan helyre, ahol a készülék kádba vagy más víztartályba eshet.
13. Mindig vízszintes és szilárd felületen használja a fűtőkészüléket.
14. Ne használja a hőszugárzót, ha leesett.
15. Ha látható sérülés van a fűtőkészüléken, ne használja.
16. Mindig húzza ki a készüléket a konnektorból, ha nem használja.

HU

## 2. MŰSZAKI ADATOK

Tápellátás	230 V~, 50-60 Hz
Névleges teljesítmény	1500 W
Energiamódok	3
Termosztát (I/N)	I
Időzítő (I/N)	I
Turbóventilátor (I/N)	N
Nettó tömeg	4.8kg
Méretetek (sz x mé x ma)	375*245*635mm



## 2.1 Tájékoztatósi követelmények elektromos helyiségmelegítőkhöz

Modellazonosítók: GBXE01-7					
Tétel	Jelölés	Érték	Egység	Tétel	Egység
<b>Hőteljesítmény</b>				<b>Hőbevitel típusa, csak elektromos tárolós helyiségmelegítőkhöz (válasszon egyet)</b>	
Névleges hőteljesítmény	$P_{nom}$	1,5	kW	kézi hőfokszabályozás, beépített termosztáttal	Nem alkalmazható
Minimális hőteljesítmény (indikatív)	$P_{min}$	0,7	kW	kézi hőfokszabályozás a helyiség és/vagy a kültéri hőmérséklet visszacsatolásával	Nem alkalmazható
Maximális folyamatos hőteljesítmény	$P_{max,c}$	1,5	kW	elektromos hőfokszabályozás a helyiség és/vagy a kültéri hőmérséklet visszacsatolásával	Nem alkalmazható
<b>Kiegészítő villamosenergia-fogyasztás</b>				ventilátoros hőleadás	
Névleges hőteljesítménynél	$e_{l,max}$	0,000	kW	<b>Hőteljesítmény/szobahőmérséklet szabályozás típusa (válasszon egyet)</b>	
Minimális hőteljesítménynél	$e_{l,min}$	0,000	kW	egyfokozatú hőteljesítmény, nincs szobahőmérséklet-szabályozás	Nem
Készenléti üzemmódban	$e_{l,SB}$	0.0007	kW	két vagy több kézi fokozat, nincs szobahőmérséklet-szabályozás	Nem
				mechanikus termosztátos szobahőmérséklet-szabályozással	Nem
				elektronikus szobahőmérséklet-szabályozással	Nem
				elektronikus szobahőmérséklet-szabályozás plusz napi időzítő	Igen
				elektronikus szobahőmérséklet-szabályozás plusz heti időzítő	Nem
				<b>Egyéb szabályozási lehetőségek (több is kiválasztható)</b>	
				szobahőmérséklet-szabályozás, jelenlét-érzékeléssel	Nem
				szobahőmérséklet-szabályozás, nyitott ablak érzékeléssel	Nem
				távvezérlési opcióval	Nem
				adaptív indításszabályozással	Nem
				üzemidő korlátozással	Nem
				black Bulb hőmérséklet-érzékelővel	Nem
Kapcsolattartási adatok		Auchan – SAS OIA, 200, rue de la Recherche, Le Colibri BP 169, 59650 Villeneuve d'Ascq, France - <a href="http://www.auchan-retail.com/contact">www.auchan-retail.com/contact</a>			

### 3. A CSOMAG TARTALMA

- 1 db olajmentes fűtőkészülék
- 2 db talplemez 4 görgővel
- 1 Db használati útmutató

### 4. TERMÉKLEÍRÁS

#### 4.1 Alkatrészjegyzék

- 1. LED kijelző
- 2. MODE gomb
- 3. ECO üzemmód gomb
- 4. Bekapcsoló gomb
- 5. Görgő
- 6. Talplemez
- 7. Fogantyú

### 5. A TERMÉK HASZNÁLATA

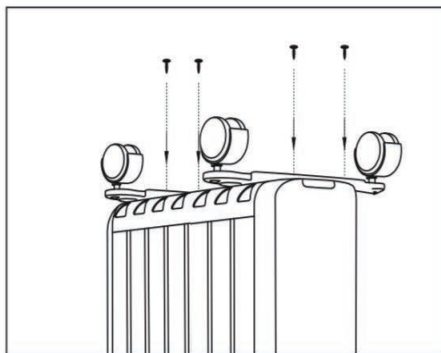
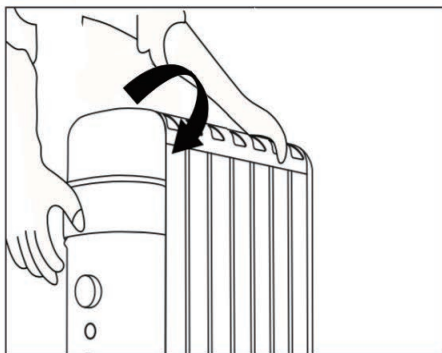
#### 5.1 Összeszerelési utasítás

**FIGYELMEZTETÉS:** A fűtőkészüléket csak felszerelt görgőkkel és függőleges helyzetben szabad működtetni.

Vegye ki a fűtőkészüléket a dobozból, ügyelve arra, hogy minden alkatrészt eltávolítson már fel vannak szerelve. A talplemezek fűtőkészülékre történő felszereléséhez kövesse az alábbi lépéseket és ábrákat:

Ez a fűtőkészülék 4 görgővel van csomagolva, amelyek a dobozban 2 különálló talplemezre már fel vannak szerelve. A talplemezek fűtőkészülékre történő felszereléséhez kövesse az alábbi lépéseket és ábrákat:

- 1. A sérülések elkerülése érdekében fordítsa a fűtőkészüléket fejjel lefelé egy szőnyegre vagy más puha felületre.
- 2. Szerelje fel a 2 talplemezt a fűtőkészülék-burkolat aljára mindkét végén. Igazítsa a talplemezek furatait a fűtőkészülék-burkolat aljának két végén lévő furatokhoz, és rögzítse a talplemezeket a 4 mellékelt csavarral.
- 3. Állítsa vissza a fűtőkészüléket a megfelelő irányba, hogy a görgőkön álljon.



## 5.2 A fűtőkészülék elhelyezése

Ezt a fűtőkészüléket csak padlón való használatra tervezték.

- Mindig helyezze a fűtőkészüléket kemény és stabil felületre. Ferde felületre helyezve kár keletkezhet.
- Ez a fűtőkészülék minden irányba sugározza a hőt, ezért mindig hagyjon körülötte elegendő helyet.
- Ne helyezze ezt a fűtőkészüléket túl közel a falhoz vagy bármilyen bútorhoz.
- Tartson minden éghető anyagot, például bútorokat, párnákat, ágyneműt, papírt, ruhákat és függönyöket legalább 1 m távolságra a fűtőkészüléktől.
- Ne tegyen semmit a fűtőkészülék tetejére.
- Ne használja a fűtőkészüléket vizes vagy nedves helyeken, például fürdőszobákban és mosókonyhákban, illetve olyan helyeken, ahol festéket vagy más gyúlékony vagy illékony folyadékokat használnak vagy tárolnak.

## 5.3 A fűtőkészülék kezelése

A fűtőkészülék csatlakoztatása előtt ellenőrizze a következőket:

- Az Ön áramellátása megegyezik a készülék adattábláján feltüntetett értékkel. A készüléket csak az adattáblájának megfelelő hálózatban szabad használni.
- A csatlakozó aljzat földeléssel legyen ellátva, és nem használják más készülékek.
- A készüléket közvetlenül a fali csatlakozóba kell csatlakoztatni, nem pedig hosszabbítóba vagy áthelyezhető elosztóba.
- A tápkábel és a dugasz nem sérült.
- Bedugáskor és kihúzáskor mindig a dugaszt fogja meg, ne a vezetékét.

Miután csatlakoztatta a fűtőkészüléket, kövesse az alábbi utasításokat a használat megkezdéséhez.

### 5.3.1 A fűtőkészülék be-/kikapcsolása

A fűtőkészülék be- vagy kikapcsolásához nyomja meg a bekapcsológombot.

- Bekapcsolás után a LED-kijelző világít, és az alapértelmezett vagy utoljára beállított hőmérsékletet mutatja Celsiusban.
- A beállított hőmérséklet háromjegyű számmal jelenik meg, egy tizedesjegy pontossággal, kivéve, ha a fűtőkészülék ECO üzemmódban van. Például, a 20,5 fokos hőmérséklet 20<sub>5</sub> formában látható.
- A bekapcsolást követően a fűtőelem a legutóbb használt beállításokkal kezd el működni és hőt sugározni.
- Kikapcsolás után a fűtőkészülék megőrzi az összes beállítást, például a hőmérsékletet és az üzemmódot. Az időzítő beállítása nem marad meg.

### 5.3.2 A hőmérséklet beállítása

Amikor a fűtőkészülék mutatja a hőmérsékletet, a MODE gombot elforgatva állítsa be a hőmérsékletet 5 és 35 °C között.

- Nem ECO üzemmódban a beállított hőmérséklet 0,5 °C-os lépésekben változik.
- ECO üzemmódban a beállított hőmérséklet 1 °C-os lépésben változik.
- Amikor a környezeti hőmérséklet eléri a beállított hőmérsékletet, a fűtőelem leáll.
- Amikor a környezeti hőmérséklet alacsonyabb a beállított hőmérsékletnél, a fűtőelem újból működésbe lép.

#### Megjegyzés:

- Az időzítő futása közben a hőmérséklet beállításához forgassa el a MODE gombot, hogy megjelenjen a beállított hőmérséklet, és forgassa tovább a gombot, amíg a beállított hőmérséklet villog.
- A fűtőkészülék kikapcsolása után a fűtőkészülék egy ideig még hőt sugároz a fém fűtőelem egyedi tulajdonságai miatt.

### 5.3.3 Teljesítménymód beállítása

A fűtőkészüléket 3 teljesítménymódra (H1, H2 és H3) állíthatja be a különböző fűtési igényeknek megfelelően. Az alábbi táblázat mutatja a ezeknek a teljesítménymódoknak a teljesítményértékeit.

H1	H2	H3
750 W	750 W	1500 W

Az teljesítménymód módosításához kövesse az alábbi lépéseket:

1. Nyomja meg a MODE gombot. A fűtőkészülék a LED kijelzőn 3 másodpercig mutatja az aktuális teljesítménymódot (H1/H2/H3).
2. Amíg a H1/H2/H3 látható, forgassa el a MODE gombot a H1, H2 és H3 közötti váltáshoz.
3. Amikor megjelenik a kívánt teljesítménymód, nyomja meg a MODE gombot, vagy várjon 3 másodpercet az új energiamód aktiválásához.

A MODE gomb megnyomásával bármikor megtekintheti az aktuális energiamódot.

### 5.3.4 ECO üzemmód használata

A fűtőkészülék ECO (takarékos) üzemmódra állítható. Ebben az üzemmódban a fűtőkészülék automatikusan beállítja működési módját a környezeti hőmérséklet alapján, hogy csökkentse az energiafogyasztást.

A fűtőkészülék ECO üzemmódba kapcsolásához nyomja meg az ECO üzemmód gombot.

- ECO üzemmódban a beállított hőmérsékletet 2 számjegyű számmal és ezt követő nagy **E** betűvel jelzi. Például, ha a beállított hőmérséklet 20 °C, akkor a kijelzőn **20E** jelenik meg.

### 5.3.5 Fagyvédelmi üzemmód használata

A fűtőkészülék fagyvédelmi üzemmódban is működhet. Ez az üzemmód olyan területeken hasznos, mint például a garázsok, a fagykár megelőzése érdekében. Ebben az üzemmódban a fűtőelem ciklikusan be- és kikapcsol, hogy a fagy elleni védelem érdekében a környezeti hőmérsékletet körülbelül 5 °C-on tartsa.

A fűtőkészülék fagyvédelmi üzemmódba állításához fordítsa el teljesen a MODE gombot az óramutató járásával ellentétes irányba, amíg a LED-kijelzőn **F** jelenik meg.

### 5.3.6 Az időzítő használata

Beállíthatja úgy az időzítőt, hogy a fűtőkészülék csak előre beállított számú órán keresztül működjön (1-24).

Az időzítő beállításához kövesse az alábbi lépéseket:

1. Nyomja meg a MODE gombot és tartsa lenyomva 3 másodpercig. A fűtőegység kijelzi az előre beállított óraszámot (00H) a LED-kijelzőn, és 3 másodpercig villog az időegység (H).
2. Miközben az előre beállított óraszám jelenik meg a kijelzőn, forgassa el a MODE gombot az óraszám (0-24) léptetéséhez.
3. Amikor megjelenik a kívánt óraszám (1-24), nyomja meg a MODE gombot vagy várjon 3 másodpercet az időzítő elindításához.

#### Típek:

- Az időzítő elindítása után a fűtőkészülék megjeleníti az előre beállított óraszámot (1-től 24-ig), és a korábbi beállításokkal folytatja a munkát. **Megjegyzés:** A fűtőkészülék nem mutatja az időzítő hátralévő idejét.

- Az időzítő működése közben módosíthatja a fűtőkészülék beállításait, például a beállított hőmérsékletet és a teljesítménymódot a jelen használati útmutató előző részeiben leírtak szerint. Ezeknek a beállításoknak a megváltoztatása nem befolyásolja az időzítőt.
- Amikor az időzítő lejár, a fűtőkészülék automatikusan fagyvédelmi üzemmódba lép.
- Az időzítő azonnali leállításához nyomja meg a bekapcsoló gombot, vagy nyomja meg és tartsa lenyomva 3 másodpercig a MODE gombot.

### 5.3.7 Egyéb funkciók

#### Memória funkció

Ha kikapcsolja és/vagy kihúzza a fűtőkészüléket, a fűtőkészülék újra bekapcsolva visszatér az utolsó állapotába (üzemmód és hőmérséklet). **Megjegyzés:** Ez az időzítő beállítására nem vonatkozik.

#### Túlmelegedés elleni védelem

A fűtőkészülék túlmelegedés elleni védőkapcsolóval (hőkapcsoló) van felszerelve, amely túlmelegedés esetén automatikusan kikapcsolja a fűtőkészüléket. Ha ez történik, kövesse az alábbi lépéseket a probléma megoldásához:

1. Húzza ki a fűtőkészüléket, és hagyja teljesen kihűlni.
2. Ellenőrizze és távolítsa el a túlmelegedés forrását, például a rossz szellőzést és a fűtőkészüléket letakaró tárgyat.
3. A fűtőkészülék újraindításához kövesse a kezelési utasításokat.
4. A fűtőkészüléknek ismét normálisan kell működnie. Ha a probléma továbbra is fennáll, forduljon ügyfélszolgálatunkhoz tanácsért.

HU

#### Borulásvédelem

A fűtőkészülék fel van szerelve borulásvédelmi kapcsolóval, amely megszakítja a fűtőkészülék áramellátását, ha felborul. Ha ez történik, kövesse az alábbi lépéseket a probléma megoldásához:

1. Húzza ki a fűtőkészüléket, és hagyja teljesen kihűlni.
2. Helyezze vissza a fűtőkészüléket sima, vízszintes és stabil felületre.
3. Ellenőrizze, hogy nem sérült-e meg.
4. Akkor és csak akkor, ha a fűtőkészülék nem sérült, indítsa újra a fűtőkészüléket a használati utasítás szerint.
5. A fűtőkészüléknek ismét normálisan kell működnie. Ha a probléma továbbra is fennáll, forduljon ügyfélszolgálatunkhoz tanácsért.

#### Kijelző automatikus elhalványulása

Ha a felhasználó nem tesz semmit, a LED-kijelző 60 másodperc után automatikusan elhalványul az energiafogyasztás csökkentése érdekében.

## 6. KARBANTARTÁS ÉS TISZTÍTÁS

#### Tisztítás

Idővel a por gyűlhet össze a fűtőkészüléken és annak belsejében, ami befolyásolhatja annak teljesítményét. Javasoljuk, hogy legalább havonta egyszer tisztítsa meg a fűtőkészüléket.

1. Kapcsolja ki a fűtőkészüléket, és húzza ki a hálózati aljzatból.
2. Várja meg, amíg a fűtőkészülék teljesen lehűl.
3. Törölje le a készülék felületét puha, száraz ruhával. Makacs foltok esetén enyhe mosószer használható.

## Megjegyzés:

- Ne használjon erős tisztítószereket, vegyszereket vagy oldószereket, mivel ezek károsíthatják a fűtőkészülék felületét.
- Soha ne merítse a fűtőkészüléket vízbe.
- Ne engedje, hogy víz vagy más folyadék a fűtőkészülék belsejébe kerüljön, mert ez tűzveszélyt és/vagy elektromos veszélyt okozhat.
- Javasoljuk, hogy a fűtőkészüléket rendszeresen porszívó segítségével is tisztítsa át úgy, hogy a csövet óvatosan a légtelők fölé helyezze, ezzel eltávolítva a készülék belsejében vagy a készüléken összegyűlt port.
- Győződjön meg róla, hogy a fűtőkészülék száraz legyen, mielőtt újra bedugja.

**FIGYELMEZTETÉS:** Semmiképpen se próbálja meg kinyitni a fűtőkészülék burkolatát. Nincs olyan alkatrésze, amit a felhasználó javítani tudna.

## Tárolás

Ha hosszabb ideig nem használja a fűtőkészüléket, tisztítás után:

1. Győződjön meg róla, hogy a fűtőkészüléket kikapcsolta és leválasztotta az áramforrásról.
2. Takarja le a fűtőkészüléket, és tárolja függőlegesen, száraz helyen, ahol nem éri közvetlen napfény. **Megjegyzés:** A közvetlen napfénynek való tartós kitettség elszínezi a készüléket.

HU

## 7. GARANCIA ÉS JÓTÁLLÁSI FELTÉTELEK

Erre a termékre a vásárlás időpontjától számított 36 hónap jótállás vonatkozik (amely tartalmazza a helyi jogszabályok által meghatározott 24 hónapos törvényes jótállást, valamint a márka által kínált 12 hónap további jótállást), minden gyártási- vagy anyaghibából eredő meghibásodásra.

Ez a jótállás nem terjed ki a rossz telepítésből, helytelen használatból, vagy a termék természetes elhasználódásából eredő károkra. A jótállás nem vonatkozik:

- A helytelen használatból, balesetből, átalakításból vagy nem megfelelő áramerősségű illetve feszültségű elektromos csatlakozásból eredő károkra vagy meghibásodásokra
- Olyan termékekre, amelyeknek garancia címkéje vagy sorozatszama sérült, megváltozott, eltávolították vagy rozsdás.
- A cserélhető akkumulátorokra és tartozékokra 6 hónap jótállás vonatkozik
- Az akkumulátor meghibásodására, ha a túl hosszú töltés, vagy az útmutatóban leírt biztonsági előírások figyelmen kívül hagyása miatt következett be.
- Esztétikai hibákra, ideértve a karcolást, ütésnyomokat vagy egyebekre
- Engedéllyel nem rendelkező személy által végzett bármilyen beavatkozásból bekövetkezett károkra.
- A természetes kopásból vagy a termék természetes elhasználódásából eredő meghibásodásokra.
- A hálózati paraméterek megváltozása miatt szükséges programfrissítésekre.
- Harmadik fél programjának módosítás, változtatás vagy adaptálás céljából történő használata következtében meghibásodott termékekre.
- A gyártó által jóváhagyott tartozékok nélküli használat következtében meghibásodott termékekre.
- A rozsdás termékekre.

A gyártó semmi esetre sem tehető felelőssé a lemezen tárolt adatok elvesztéséért. Hasonlóképpen, a gyártó nem köteles ellenőrizni, hogy a visszavitt termékből eltávolították-e a SIM / SD kártyákat.

A javított vagy cserélt termékek tartalmazhatnak új és/vagy újracsomagolt összetevőket és tartozékokat.

## A JÓTÁLLÁS ÉRVÉNYESÍTÉSE

A jótállás érvényesítéséhez kérjük, vigye vissza a terméket az eladási hely ügyfélszolgálatára a vásárlási bizonylattal (pénztárblockk, számla stb.), a termékkel és a hozzá adott tartozékokkal, eredeti csomagolásban.

Tájékoztatásul meg kell adnia a vásárlás időpontját, a modellt és a sorozatszámot vagy IMEI számot (ezek az adatok általában fel vannak tüntetve a terméken, vagy a vásárlási bizonylaton).

Ezek hiányában a terméket a megfelelő működését biztosító kellekekkel együtt kell visszavinnie (hajtóegység, adapter stb.).

Ha a reklamációra vonatkozik a jótállás, a vevőszolgálat a helyi jogszabályoknak megfelelően, vagy:

- Megjavítja vagy kicseréli a hibás alkatrészeket.
- A visszavitt terméket legalább azonos funkciókkal rendelkező és teljesítményben egyenértékű termékre cseréli.
- Visszatéríti a termék vételárát a pénztárblockkon feltüntetett értékben.

A jótállás keretében végzett javítás esetén a jótállási idő 6 hónappal meghosszabbodik, amely azonban ismételt hibák esetén sem halmozódik fel.

## 8. HULLADÉKKEZELÉSI UTASÍTÁSOK

Az alábbi áthúzott kerekes kuka szimbólum azt jelzi, hogy ezt a terméket nem szabad a háztartási hulladékkal együtt kidobni. Ezt a terméket újrahasznosító szolgáltatóhoz vagy elektromos készülékek és elektronikus berendezések elhelyezésére szolgáló konténerbe kell vinni. Ez az egészségügyi kockázatok elkerülése és a környezeti károk megelőzése érdekében történik. A helyi vállalkozásokat (vagy az Ön szomszédságában működő hulladékudvart) törvény kötelezi az ilyen termékek átvételére és újrahasznosítására a környezetbarát hulladékkezelés céljából.



# CUPRINS

1. INSTRUCȚIUNI DE SIGURANȚĂ	P. 64
2. SPECIFICAȚII TEHNICE	P. 66
3. CONȚINUTUL PACHETULUI	P. 68
4. DESCRIEREA PRODUSULUI	P. 68
5. FOLOSIREA PRODUSULUI	P. 68
6. ÎNTREȚINERE ȘI CURĂȚARE	P. 71
7. GARANȚII ȘI LIMITE DE RESPONSABILITATE	P. 72
8. INSTRUCȚIUNI DE ELIMINARE	P. 73

## 1. INSTRUCȚIUNI DE SIGURANȚĂ

Înainte de a folosi acest produs, citiți cu atenție aceste instrucțiuni și păstrați manualul pentru o utilizare ulterioară.

RO



**AVERTIZARE!**  
Respectați  
măsurile de  
precauție privind  
siguranța



Citiți manualul  
înainte de  
utilizare



**AVERTIZARE!**  
Nu acoperiți  
produsul

1. Aeroterma este concepută pentru a fi utilizată în locuințe pe perioade scurte de timp. Nu este destinată utilizării în medii dificile, comerciale sau industriale și nu este adecvată pentru a fi utilizată în aer liber.
2. Nu utilizați acest aparat pentru a usca haine, șosete, pantofii și alte articole similare.
3. Acest aparat poate fi utilizat de copiii cu vârsta de cel puțin 8 ani și de persoane cu capacități fizice, senzoriale sau mentale reduse sau care nu au



experiența și cunoștințele necesare, dacă sunt supravegheate sau au fost instruite cu privire la utilizarea aparatului în condiții de siguranță și înțeleg pericolele implicate. Copiii nu au voie să se joace cu acest aparat. Curățarea aparatului și întreținerea permisă pentru utilizator nu trebuie să fie efectuate de către copii decât sub supraveghere. Nu permiteți accesul copiilor cu vârsta sub 3 ani dacă nu sunt supravegheați în mod continuu.

4. Copiii cu vârsta între 3 și 8 ani trebuie să pornească/ oprească aparatul numai dacă acesta a fost așezat sau instalat în prealabil în poziția normală de funcționare prevăzută și dacă sunt supravegheați sau dacă au fost instruiți cu privire la utilizarea în condiții de siguranță a aparatului și dacă au înțeles pericolele pe care le implică utilizarea acestuia. Copiii cu vârsta cuprinsă între 3 și 8 ani nu trebuie să conecteze, să regleze și să curețe aparatul și să efectueze întreținerea care se face în mod normal de către utilizator.
5. **PRECAUȚIE:** Unele părți ale acestui produs pot deveni foarte fierbinți și pot provoca arsuri. Se recomandă să acordați o atenție deosebită în locurile în care sunt prezenți copiii și persoanele vulnerabile.
6. **AVERTIZARE:** Nu utilizați această aerotermă în încăperi mici în care se află persoane care nu se pot deplasa singure, cu excepția cazului în care le puteți asigura o supraveghere constantă.
7. În cazul în care cablul de alimentare este deteriorat, acesta trebuie înlocuit de producător, de agentul de service sau de personal calificat în domeniu pentru a evita orice accident.
8. **PRECAUȚIE:** Pentru a evita orice pericol care poate rezulta ca urmare a resetării accidentale a releului termic, acest aparat nu trebuie alimentat printr-un întrerupător extern, cum ar fi un aparat de comandă a timpului pentru reglarea procesului, sau nu trebuie

conectat la un circuit care este pornit și oprit în mod constant.

9. **AVERTIZARE:** Pentru a evita supraîncălzirea, nu acoperiți aparatul.
10. Aeroterma nu trebuie așezată exact sub priză.
11. **AVERTIZARE:** Pentru a reduce riscul de incendiu, țineți materialele textile, perdelele sau orice alt material inflamabil la o distanță minimă de 1 m față de orificiul de evacuare a aerului.
12. Nu utilizați acest aparat în imediata apropiere a unei băi, a unui duș sau a unei piscine. Nu așezați niciodată acest aparat pe o suprafață de unde poate cădea într-o cadă sau într-un alt recipient cu apă.
13. Folosiți întotdeauna această aerotermă pe o suprafață orizontală și stabilă.
14. Nu folosiți această aerotermă dacă ați scăpat-o în prealabil.
15. Nu folosiți această aerotermă dacă prezintă semne vizibile de deteriorare.
16. Scoateți întotdeauna aparatul din priză atunci când nu îl utilizați.

RO

## 2. SPECIFICAȚII TEHNICE

Alimentare	230 V~, 50-60 Hz
Putere nominală la intrare	1500 W
Moduri de alimentare	3
Termostat (DA/NU)	Y
Cronometru (DA/NU)	Y
Ventilator Turbo (DA/NU)	N
Greutate netă	4.8kg
Dimensiuni (L x A x Î)	375*245*635mm

## 2.1 Cerințe de informare pentru aerotermele electrice folosite la încălzirea locală

Identificator (identificatoare) de model: GBXE01-7					
Articol	Simbol	Valoare	Unitate	Articol	Unitate
<b>Putere termică</b>				<b>Tipul de aport de căldură, numai pentru aerotermele electrice cu acumulator de căldură folosite la încălzirea locală (selecțai una)</b>	
Putere termică nominală	$P_{nom}$	1,5	kW	control manual al sarcinii termice, cu termostat integrat	Nu se aplică
Putere termică minimă (cu titlu indicativ)	$P_{min}$	0,7	kW	control manual al sarcinii termice, cu feedback privind valoarea temperaturii din cameră și/sau din aer liber	Nu se aplică
Putere termică continuă maximă	$P_{max,c}$	1,5	kW	control electronic al sarcinii termice, cu feedback privind valoarea temperaturii din cameră și/sau din aer liber	Nu se aplică
<b>Consum auxiliar de energie electrică</b>				putere termică comandată de ventilator	
La puterea termică nominală	$e_{l,max}$	0,000	kW	<b>Tipul de putere termică/control al temperaturii camerei (selecțai una)</b>	
La putere termică minimă	$e_{l,min}$	0,000	kW	o singură treaptă de putere termică, fără controlul temperaturii camerei	Nu
În modul de așteptare	$e_{l,SB}$	0.0007	kW	două sau mai multe etape manuale, fără control al temperaturii camerei	Nu
				cu controlul temperaturii camerei prin intermediul unui termostat mecanic	Nu
				cu control electronic al temperaturii camerei	Nu
				cu control electronic al temperaturii camerei și cu temporizator cu programare zilnică	Da
				cu control electronic al temperaturii camerei și cu temporizator cu programare săptămânală	Nu
				<b>Alte opțiuni de control (se pot selecta mai multe variante)</b>	
				controlul temperaturii camerei, cu detectarea prezenței	Nu
				controlul temperaturii camerei, cu detectarea ferestrelor deschise	Nu
				cu opțiunea de control la distanță	Nu
				cu control adaptiv al pornirii	Nu
				cu limitarea timpului de funcționare	Nu
				cu senzor cu bulb negru	Nu
Date de contact		Auchan – SAS OIA, 200, rue de la Recherche, Le Colibri BP 169, 59650 Villeneuve d'Ascq, Franța - <a href="http://www.auchan-retail.com/contact">www.auchan-retail.com/contact</a>			

### 3. CONȚINUTUL PACHETULUI

- 1 x Calorifer fără ulei
- 2 x Suporturi pentru picioare cu 4 roți atașate
- 1 x Manual de utilizare

### 4. DESCRIEREA PRODUSULUI

#### 4.1 Lista cu piese

- 1. Ecranul LED
- 2. Buton MOD
- 3. Buton mod ECO
- 4. Butonul de pornire
- 5. Roată
- 6. Suport pentru picior
- 7. Mâner

### 5. FOLOSIREA PRODUSULUI

#### 5.1 Instrucțiuni de asamblare

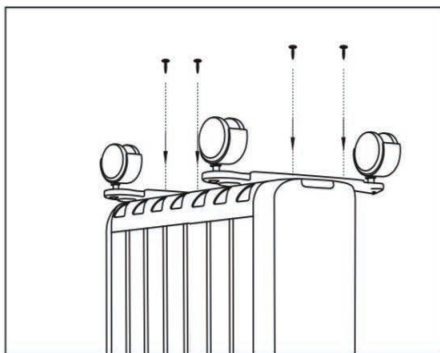
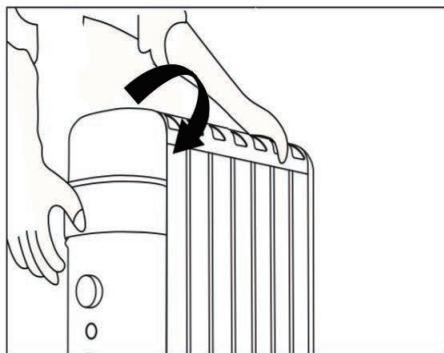
**AVERTIZARE:** Caloriferul trebuie folosit numai în poziție verticală, cu roțile montate.

RO

Scoateți caloriferul din cutie, având grijă să scoateți toate piesele din pungile de plastic și ambalajul rămas. Păstrați cutia din carton pentru a o putea depozita în extrasezon.

Acest calorifer este dotat cu 4 roți, care sunt preasamblate în cutie pe 2 suporturi separate pentru picioare. Pentru a instala suporturile pentru picioare pe calorifer, urmați pașii și diagramele de mai jos:

- 1. Întoarceți caloriferul cu baza în sus pe un covor sau pe o altă suprafață moale pentru a evita deteriorarea.
- 2. Montați cele 2 suporturi pentru picioare pe partea inferioară la ambele capete ale carcasei caloriferului. Aliniați orificiile suporturilor pentru picioare cu orificiile de pe partea inferioară a carcasei caloriferului la ambele capete și fixați suporturile pentru picioare utilizând cele 4 șuruburi furnizate.
- 3. Aduceți caloriferul în poziția corectă, astfel încât să se sprijine pe roți.



## 5.2 Poziționarea aerotermei

Se recomandă ca acest calorifer să fie utilizat numai pe podea.

- Așezați întotdeauna aeroterma pe o suprafață plată și stabilă. Dacă o așezați pe o suprafață cu denivelări, acesta poate suferi deteriorări.
- Acest calorifer emană căldură în toate direcțiile, astfel încât să lase întotdeauna un spațiu amplu calduros în jur.
- Nu așezați acest calorifer prea aproape de un perete sau de orice piesă de mobilier.
- Țineți toate materialele inflamabile, cum ar fi mobilă, perne, așternuturi, hârtie, haine și perdele la cel puțin 1 metru distanță de acest calorifer.
- Nu așezați nimic pe acest calorifer.
- Nu folosiți acest calorifer în locuri umede sau cu umezeală, de exemplu în băi și în spălătorii sau în zone în care se utilizează sau se depozitează vopsele sau alte lichide inflamabile sau volatile.

## 5.3 Modul de funcționare a aerotermei

Înainte de a conecta aeroterma, verificați-o pentru a vă asigura că:

- Alimentarea cu energie electrică corespunde cu cea indicată pe plăcuța de identificare a aparatului. Aparatul trebuie utilizat numai conform evaluării.
- Priza electrică pe care o veți utiliza are o instalație de împământare și nu este utilizată de alte aparate.
- Veți conecta aparatul direct la o priză de perete, nu la un cablu prelungitor sau la un cablu de alimentare relocabil.
- Cablul de alimentare și ștecherul nu sunt deteriorate.
- Atunci când conectați sau deconectați aparatul, trageți întotdeauna de ștecher și nu de cablu.

După ce ați conectat aeroterma, urmați instrucțiunile de mai jos pentru a începe să o utilizați.

RO

### 5.3.1 Pornirea/oprirea aerotermei

Pentru a porni sau pentru a opri caloriferul, apăsați pe butonul de alimentare.

- Odată pornit, afișajul LED se aprinde și indică temperatura implicită sau ultima temperatură setată în grade Celsius.
- Temperatura setată este afișată utilizând un număr de 3 cifre cu o zecimală, cu excepția cazului în care încălzitorul este în modul ECO. De exemplu, o temperatură de 20,5 grade este afișată ca 20<sub>5</sub>.
- Odată pornit, elementul de încălzire începe să funcționeze și să radieze căldură utilizând ultimele setări utilizate.
- După oprire, caloriferul va păstra toate setările, cum ar fi temperatura și modul de putere. Valoarea setată a cronometrului nu va fi reținută.

### 5.3.2 Ajustarea temperaturii

Când caloriferul afișează o temperatură, rotiți butonul MOD pentru a regla temperatura setată de la 5 la 35°C.

- În modurile non-ECO, temperatura setată se modifică în incremente/decremente de 0.5°C.
- În modul ECO, temperatura setată se modifică cu incremente/decremente de 1°C.
- Când temperatura ambiantă atinge temperatura setată, elementul de încălzire nu va mai funcționa.
- Când temperatura ambiantă este mai mică decât temperatura setată, elementul de încălzire va începe din nou să funcționeze.

#### Observații:

- Pentru a regla temperatura setată în timp ce cronometrul funcționează, rotiți butonul MOD pentru a afișa temperatura setată și continuați să rotiți butonul în timp ce temperatura setată clipește.

- După oprirea caloriferului, acesta va continua să radieze căldură pentru un timp datorită proprietăților unice ale elementului de încălzire din metal.

### 5.3.3 Setarea modului de alimentare

Puteți seta caloriferul să funcționeze în 3 moduri de alimentare (H1, H2 și H3) pentru a se adapta diferitelor cerințe de încălzire. Consultați tabelul de mai jos pentru valorile nominale de putere aferente acestor moduri de alimentare.

H1	H2	H3
750 W	750 W	1500 W

Pentru a schimba modul de alimentare, urmați pașii de mai jos:

- Apăsăți pe butonul MOD. Caloriferul va afișa modul curent de alimentare (H1/H2/H3) pe afișajul LED timp de 3 secunde.
- În timp ce se afișează H1/H2/H3, rotiți butonul MOD pentru a trece prin H1, H2 și H3.
- Când apare modul de alimentare dorit, apăsați pe butonul MOD sau așteptați 3 secunde pentru a activa noul mod de alimentare.

Puteți apăsa pe butonul MOD pentru a vizualiza oricând modul curent de alimentare.

### 5.3.4 Folosirea modului ECO

Caloriferul poate fi setat să funcționeze în modul ECO (economic). În acest mod, caloriferul își reglează automat modul de funcționare în funcție de temperatura ambiantă pentru a reduce consumul de energie.

Pentru a trece caloriferul în modul ECO, apăsați pe butonul mod ECO.

- În modul ECO, temperatura setată este afișată utilizând un număr din 2 cifre, urmat de litera mare **E**. De exemplu, dacă temperatura setată este 20°C, se va afișa **20E**.

### 5.3.5 Folosirea modului anti-îngheț

Caloriferul poate fi setat pentru a funcționa în modul anti-îngheț. Acest mod este util în zone precum garajele, pentru a preveni deteriorarea ca urmare a înghețului. În acest mod, elementul de încălzire va porni și se va opri pentru a menține o temperatură ambiantă de aproximativ 5°C, pentru a oferi protecție împotriva înghețului.

Pentru a trece caloriferul în modul anti-îngheț, rotiți butonul MOD complet spre stânga până când veți vedea **F<sub>r</sub>** pe afișajul cu LED.

### 5.3.6 Folosirea cronometrului

Puteți seta cronometrul pentru a permite caloriferului să funcționeze numai pentru un număr presetat de ore (de la 1 la 24).

Pentru a seta cronometrul, urmați pașii de mai jos:

- Apăsăți și țineți apăsat butonul MOD timp de 3 secunde. Caloriferul va afișa numărul presetat de ore (00<sup>h</sup>) pe afișajul LED și unitatea de timp va clipi intermitent timp de 3 secunde (H).
- Când se afișează numărul presetat de ore, rotiți butonul MOD pentru a parcurge numărul de ore (de la 0 la 24).
- Când apare numărul dorit de ore (de la 1 la 24), apăsați pe butonul MOD sau așteptați 3 secunde pentru a porni cronometrul.

#### Sfaturi:

- După ce porniți cronometrul, caloriferul afișează numărul presetat de ore (de la 1 la 24) și continuă să funcționeze utilizând setările anterioare. **Notă:** Aeroterma nu va afișa timpul rămas al cronometrului.

- În timpul funcționării cronometrului, puteți modifica setările caloriferului, cum ar fi setarea temperaturii și a modului de alimentare, așa cum se descrie în capitolele precedente ale acestui manual de utilizare. Schimbarea acestor setări nu va afecta cronometrul.
- Când timpul cronometrului expiră, caloriferul intră automat în modul anti-îngheț.
- Pentru a opri cronometrul imediat, apăsați pe tasta Pornire sau apăsați și țineți apăsat butonul MOD timp de 3 secunde.

### 5.3.7 Alte caracteristici

#### Funcția de memorie

Dacă opriți și/sau deconectați caloriferul, acesta va reveni la ultima stare (mod de funcționare și temperatură) odată ce îl porniți din nou. **Notă:** Acest lucru nu se aplică setării temporizatorului.

#### Protecția la supraîncălzire

Aeroterma este prevăzută cu un comutator de protecție la supraîncălzire (întrerupere termică) care o va opri automat în caz de supraîncălzire. Dacă se întâmplă acest lucru, urmați pașii de mai jos pentru a rezolva problema:

1. Scoateți aeroterma din priză și lăsați-o să se răcească complet.
2. Verificați și îndepărtați sursa supraîncălzirii, cum ar fi ventilația necorespunzătoare și elementul care acoperă aeroterma.
3. Urmăriți instrucțiunile de funcționare pentru a reporni aeroterma.
4. Aeroterma ar trebui să funcționeze normal din nou. Dacă problema persistă, contactați departamentul nostru de asistență pentru clienți.

#### Protecție împotriva răsturnării

Aeroterma este prevăzută cu un comutator de protecție împotriva răsturnării care va întrerupe alimentarea dacă aceasta cade. Dacă se întâmplă acest lucru, urmați pașii de mai jos pentru a rezolva problema:

1. Scoateți aeroterma din priză și lăsați-o să se răcească complet.
2. Așezați aeroterma înapoi pe o suprafață plată, plană și stabilă.
3. Verificați aeroterma pentru a vedea dacă este deteriorată.
4. Respectați instrucțiunile de funcționare pentru a reporni aeroterma, dar numai dacă aceasta nu este deteriorată.
5. Aeroterma ar trebui să funcționeze normal din nou. Dacă problema persistă, contactați departamentul nostru de asistență pentru clienți.

#### Estomparea automată a afișajului

Dacă utilizatorul nu ia nicio măsură, afișajul cu LED-uri se va estompa automat după 60 secunde pentru a reduce consumul de energie.

## 6. ÎNTREȚINERE ȘI CURĂȚARE

### Curățarea

În timp, praful se poate acumula pe și în interiorul aerotermei, afectând negativ performanța acesteia. Vă recomandăm să curățați aeroterma cel puțin o dată pe lună.

1. Opriți aeroterma și deconectați-o de la sursa de alimentare.
2. Așteptați până când aeroterma se răcește complet.
3. Ștergeți suprafața unității cu o cârpă moale și umedă. Puteți folosi un detergent slab pentru petele persistente.

### Observații:

- Nu utilizați detergenți duri, substanțe chimice de curățare sau solvenți, deoarece aceștia pot deteriora suprafața aerotermei.

- Nu introduceți niciodată aeroterma în apă.
- Nu permiteți pătrunderea apei sau a altor lichide în interiorul aerotermei, deoarece acest lucru poate provoca incendii și/sau poate reprezenta un pericol de natură electrică.
- De asemenea, recomandăm curățarea periodică a aerotermei, prin aspirarea ușoară a grilei cu o duză de aspirator, pentru a îndepărta praful sau murdăria care s-au acumulat în interiorul aerotermei sau pe aceasta.
- Asigurați-vă că aeroterma este uscată înainte de a o băga din nou în priză.

**AVERTIZARE:** Nu încercați să deschideți carcasa aerotermei în orice moment. Aeroterma nu are piese care pot fi reparate de utilizator.

### Stocare

Dacă nu intenționați să utilizați aeroterma pentru o perioadă lungă de timp, după curățare, vă rugăm să:

1. Vă asigurați că ați oprit-o și că ați deconectat-o de la sursa de alimentare.
2. O acoperiți și să o depozitați în poziție verticală într-un loc uscat unde nu va fi expusă în lumina directă a soarelui. **Notă:** Expunerea prelungită la lumina directă a soarelui va decolora unitatea.

## 7. GARANȚII ȘI LIMITE DE RESPONSABILITATE

Acest produs este garantat pentru o perioadă de 36 luni (incluzând garanția legală de 24 luni, așa cum este ea definită de legislația locală, dar și o garanție comercială suplimentară de 12 luni oferită de marcă) de la data cumpărării, împotriva oricărei defecțiuni care rezultă dintr-un viciu de fabricație sau problemă legată de materialele componente.

Această garanție nu acoperă daunele care rezultă dintr-o instalare eronată, din utilizarea incorectă sau din uzura normală a produsului. Mai exact, garanția nu acoperă:

- Daunele sau problemele cauzate de o utilizare incorectă, de un accident, o alterare sau de o conectare electrică de intensitate sau de tensiune neadekvate
- Produsele care au fost modificate sau al căror sigiliu sau număr de serie a fost deteriorat, modificat, îndepărtat sau acoperit de rugină
- Bateriile înlocuibile și accesoriile sunt garantate pentru o perioadă de 6 luni
- Avarierea bateriei, survenită în urma operațiunilor de încărcare prea lungi sau cauzată de nerespectarea recomandărilor de siguranță explicate în instrucțiuni.
- Deteriorare a aspectului, inclusiv zgârieturi, șocuri și orice alt element
- Daunele cauzate de orice intervenție efectuată de o persoană neautorizată.
- Defecțiunile cauzate de uzura sau de învechirea normală a produsului.
- Actualizările programului informatic, datorate modificării parametrilor de rețea.
- Avarierea produsului cauzată de utilizarea unor alte programe informatice pentru a modifica, schimba, adapta sau pentru a modifica programul informatic existent.
- Avarierea produsului cauzată de utilizarea acestuia fără accesoriile omologate de către producător.
- Produsele oxidate.

În niciun caz, producătorul nu poate fi considerat responsabil de pierderea informațiilor stocate pe disc. De asemenea, producătorul nu este obligat să verifice dacă utilizatorul a scos cartela SIM / SD din aparat în cazul produselor returnate.

Produsele reparate sau schimbate pot include componente și echipamente noi și/sau recondiționate.



## METODE DE IMPLEMENTARE

Pentru a beneficia de un service de garanție, vă rugăm să aduceți produsul la biroul de relații cu clienții al magazinului de la care l-ați achiziționat, având asupra dumneavoastră dovada cumpărării sale (bon de casă, factură, etc...) și accesoriile furnizate, împreună cu ambalajul original.

Este important să vă amintiți data la care ați achiziționat produsul, modelul și numărul de serie sau IMEI (aceste informații figurează în general pe produs, pe ambalaj sau pe dovada de cumpărare).

În mod implicit, trebuie să aduceți produsul în magazin împreună cu accesoriile necesare funcționării sale corecte (alimentare, adaptor, etc.)

În cazul în care dauna suferită de produs este acoperită de garanție, serviciul post-vânzare va putea, în limitele legislației locale fie:

- Să repare sau să înlocuiască piesele defecte.
- Să schimbe produsul returnat cu un produs care are cel puțin aceleași funcționalități și care este echivalent în termeni de performanță.
- Să vă ramburseze valoarea produsului la prețul de achiziționare menționat pe documentul prezentat drept dovadă a cumpărării.

În eventualitatea unei reparații acoperite de garanție, durata de acordare a garanției se va prelungi cu 6 luni. Dar nu va mai fi acordată în caz de defecțiuni repetate.

## 8. INSTRUCȚIUNI DE ELIMINARE

Simbolul de pubele tăiată de mai jos indică faptul că acest produs nu trebuie aruncat împreună cu gunoiul menajer. Acest produs trebuie livrat la un service sau container de reciclare pentru aparate electrice și echipamente electronice. Acest lucru se face pentru a evita riscurile pentru sănătate și pentru a preveni efectele nocive asupra mediului. Afacerile locale (sau stația de mediu din vecinătatea dvs.) sunt obligate prin lege să accepte și să recicleze astfel de produse, ca mijloc de eliminare ecologică.



# СОДЕРЖАНИЕ

1. ПРАВИЛА ТЕХНИКИ БЕЗОПАСНОСТИ	С. 74
2. ТЕХНИЧЕСКИЕ ХАРАКТЕРИСТИКИ	С. 77
3. КОМПЛЕКТАЦИЯ	С. 79
4. ОПИСАНИЕ ИЗДЕЛИЯ	С. 79
5. ЭКСПЛУАТАЦИЯ ПРИБОРА	С. 79
6. ОБСЛУЖИВАНИЕ И ОЧИСТКА	С. 83
7. ГАРАНТИЯ И МАСШТАБ ОТВЕТСТВЕННОСТИ	С. 83
8. ИНСТРУКЦИИ ПО УТИЛИЗАЦИИ	С. 85

## 1. ПРАВИЛА ТЕХНИКИ БЕЗОПАСНОСТИ

Перед использованием этого изделия внимательно прочтите инструкции ниже и сохраните руководство пользователя для дальнейшего использования.



### **ВНИМАНИЕ!**

Соблюдайте все инструкции по технике безопасности



Прочтите руководство перед началом эксплуатации



### **ВНИМАНИЕ!**

Не накрывайте прибор

1. Обогреватель предназначен исключительно для неинтенсивной эксплуатации в бытовых условиях. Прибор не предназначен для эксплуатации в тяжелых условиях, в коммерческих или промышленных целях и не подходит для использования на открытом воздухе.
2. Не используйте данный прибор для сушки одежды, носков, обуви и других подобных предметов.

3. Прибор разрешается эксплуатировать детям от 8 лет и старше, лицам с ограниченными физическими, сенсорными или умственными возможностями, а также лицам, не обладающим достаточным опытом и знаниями, только под присмотром или после прохождения инструктажа о порядке безопасной эксплуатации прибора и сопутствующих рисках. Детям запрещается играть с прибором. Очистка и обслуживание прибора детьми допускаются только под надзором. Не допускайте, чтобы рядом с прибором находились дети до 3 лет, если за ними невозможно обеспечить постоянный надзор.
4. Дети в возрасте 3-8 лет могут включать/выключать прибор только в том случае, если он был размещен или установлен в надлежащем стандартном рабочем положении, а дети получили инструкции касательно безопасного использования прибора, понимают связанные с этим опасности или за ними осуществляется надзор. Дети в возрасте 3-8 лет не должны подключать, регулировать и чистить прибор или выполнять пользовательское техническое обслуживание.
5. **ПРЕДУПРЕЖДЕНИЕ:** Некоторые элементы этого прибора могут сильно нагреваться и вызвать ожоги. Особый надзор следует осуществлять в присутствии детей и уязвимых категорий людей.
6. **ВНИМАНИЕ:** Не используйте обогреватель в небольших помещениях, где находятся лица, которые не способны самостоятельно покинуть это помещение и не находятся там под постоянным надзором.
7. Если шнур питания поврежден, то во избежание опасности он должен быть заменен производителем, представителем его официального сервиса или лицами, обладающими аналогичной квалификацией.

8. **ПРЕДУПРЕЖДЕНИЕ:** Во избежание опасности, связанной с непреднамеренным сбросом теплового разъединителя, электропитание данного прибора не должно осуществляться через внешнее переключающее устройство, такое как таймер, а также данный прибор не следует подключать к цепи, которая регулярно включается и выключается.
9. **ВНИМАНИЕ:** Во избежание перегрева не накрывайте прибор.
10. Не располагайте обогреватель непосредственно под розеткой.
11. **ВНИМАНИЕ:** Для сокращения риска возгорания следите за тем, чтобы расстояние между тканями, шторами, любыми другими легковоспламеняющимися материалами и воздуховыпускными отверстиями составляло не менее 1 м.
12. Не используйте прибор в непосредственной близости от ванны, душа или бассейна. Никогда не устанавливайте прибор там, где он может упасть в ванну или другую емкость с водой.
13. Используйте устройство на горизонтальной устойчивой поверхности.
14. Не используйте обогреватель, если он падал.
15. Не используйте обогреватель при наличии видимых признаков его повреждения.
16. Всегда отключайте прибор от электросети, когда он не используется.

## 2. ТЕХНИЧЕСКИЕ ХАРАКТЕРИСТИКИ

Источник питания	230 В~, 50–60 Гц
Номинальная мощность	1500 Вт
Режимы питания	3
Термостат (Д/Н)	Д
Таймер (Д/Н)	Д
Турбовентилятор (Д/Н)	Н
Масса нетто	4.8кг
Габаритные размеры (Ш × Д × В)	375*245*635мм

RU

## 2.1 Информация о локальных электрических обогревателях помещений

Номер модели: GBXE01-7					
Компонент	Обозначение	Значение	Единица измерения	Компонент	Единица измерения
<b>Теплоотдача</b>				<b>Тип подвода тепла, только для локальных электрических обогревателей (один вариант)</b>	
Номинальная теплоотдача	$P_{\text{ном.}}$	1,5	кВт	ручное управление нагревом со встроенным термостатом	Не применимо
Минимальная теплоотдача (примерно)	$P_{\text{мин.}}$	0,7	кВт	ручное управление нагревом с учетом комнатной и/или наружной температуры	Не применимо
Максимальная непрерывная теплоотдача	$P_{\text{макс., н.}}$	1,5	кВт	Электронное управление нагревом с учетом комнатной и/или наружной температуры	Не применимо
<b>Дополнительное энергопотребление</b>				теплоотдача за счет вентилятора	
При номинальной теплоотдаче	$eI_{\text{макс.}}$	0,000	кВт	<b>Тип теплоотдачи/управления комнатной температурой (один вариант)</b>	
При минимальной теплоотдаче	$eI_{\text{мин.}}$	0,000	кВт	один уровень теплоотдачи, без управления комнатной температурой	Нет
В режиме ожидания	$eI_{\text{ро}}$	0.0007	кВт	два и более ручных уровня, отсутствие контроля комнатной температуры	Нет
				с механическим термостатным управлением комнатной температурой	Нет
				с электронным управлением комнатной температурой	Нет
				электронное управление комнатной температурой и таймер дней	Да
				электронное управление комнатной температурой и таймер недель	Нет
				<b>Иные варианты управления (несколько вариантов)</b>	
				управление комнатной температурой с обнаружением присутствия	Нет
				управление комнатной температурой с обнаружением открытого окна	Нет
				с опцией удаленного управления	Нет
				с опцией адаптивного управления стартом	Нет
				с ограничением по времени работы	Нет
				с черным температурным датчиком	Нет
Контактные данные		Auchan – SAS OIA, 200, rue de la Recherche, Le Colibri BP 169, 59650 Villeneuve d'Ascq, France - <a href="http://www.auchan-retail.com/contact">www.auchan-retail.com/contact</a>			

RU

### 3. КОМПЛЕКТАЦИЯ

Безмасляный обогреватель (1 шт.)  
Опорные пластины с 4 роликами (2 шт.)  
Руководство пользователя (1 шт.)

### 4. ОПИСАНИЕ ИЗДЕЛИЯ

#### 4.1 Список деталей

1. Светодиодный дисплей
2. Ручка регулировки режима
3. Кнопка экорезима
4. Кнопка питания
5. Ролик
6. Опорная пластина
7. Ручка

### 5. ЭКСПЛУАТАЦИЯ ПРИБОРА

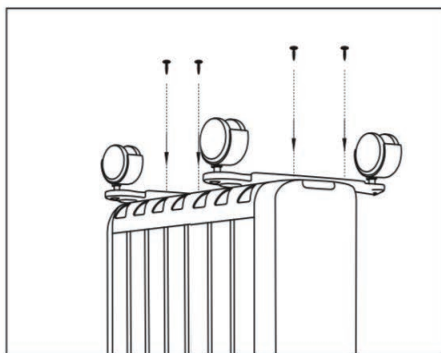
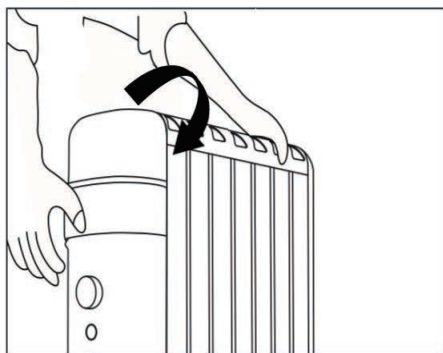
#### 5.1 Инструкция по сборке

**ВНИМАНИЕ:** Эксплуатация обогревателя должна проводиться только с установленными роликами и в вертикальном положении.

Распакуйте обогреватель и осторожно извлеките все детали из пластиковых пакетов и оставшейся упаковки. Сохраните коробку для хранения устройства в период межсезонья.

В комплект поставки данного обогревателя входят 4 ролика, которые предварительно собраны на 2 отдельных опорных пластины. Чтобы установить опорные пластины на обогреватель, см. приведенные ниже инструкции и схемы:

1. Переверните обогреватель вверх дном и поставьте на ковер или другую мягкую поверхность, чтобы избежать повреждений.
2. Установите 2 опорные пластины на обоих концах нижней части корпуса обогревателя. Совместите отверстия опорных пластин с отверстиями на обоих концах в нижней части корпуса обогревателя и закрепите опорные пластины с помощью 4 прилагаемых винтов.
3. Верните обогреватель в надлежащее положение, чтобы прибор опирался на ролики.



RU

## 5.2 Расположение обогревателя

Данный обогреватель предназначен для использования только на полу.

- Размещайте обогреватель на ровной и устойчивой поверхности. При размещении на наклонной поверхности может произойти повреждение.
- Данный обогреватель излучает тепло во всех направлениях, поэтому всегда оставляйте вокруг него достаточно пространства.
- Не размещайте обогреватель слишком близко к стене или любой мебели.
- Следите за тем, чтобы расстояние между обогревателем и горючими материалами (мебелью, подушками, постельными принадлежностями, документами, одеждой, шторами) составляло не менее 1 м.
- Не кладите никакие предметы на обогреватель.
- Не используйте обогреватель в помещениях с высокой влажностью, например в ванных комнатах и помещениях для стирки, а также в помещениях, где используются или хранятся краски или другие легковоспламеняющиеся или летучие жидкости.

## 5.3 Эксплуатация обогревателя

Перед подключением обогревателя проверьте следующие факторы:

- электропитание соответствует параметрам, указанным на заводской табличке; прибор должен использоваться исключительно согласно своим номинальным значениям;
- используемая электрическая розетка оснащена заземлением и к ней не подключены другие приборы;
- прибор будет подключаться непосредственно к сетевой розетке, а не к удлинителю или переносному сетевому фильтру;
- шнур питания и вилка не повреждены;
- при подключении и отключении питания всегда тяните за вилку, а не за шнур.

После подключения обогревателя следуйте инструкциям ниже, чтобы начать эксплуатацию прибора.

### 5.3.1 Включение/выключение обогревателя

Для включения и выключения обогревателя нажмите на кнопку питания.

- После включения загорается светодиодный дисплей, и на нем отображена температура по умолчанию или последняя заданная температура в градусах Цельсия.
- Заданная температура отображается как 3-значное число с одним десятичным знаком, если обогреватель не находится в экорезиме. Например, температура 20,5 градуса отображается как 20,5.
- После включения нагревательный элемент начинает работать и излучать тепло в соответствии с последними использованными настройками.
- После выключения обогреватель сохранит все настройки, такие как температура и режим питания. Настройки таймера не будут сохранены.

### 5.3.2 Регулировка температуры

При отображении температуры на обогревателе поверните ручку регулировки режима, чтобы отрегулировать заданную температуру в диапазоне от 5 до 35°C.

- В режимах, отличных от экорезима, заданная температура изменяется в сторону увеличения/уменьшения с шагом в 0,5°C.
- В экорезиме заданная температура изменяется в сторону увеличения/уменьшения с шагом в 1°C.
- Когда температура окружающей среды достигнет заданной температуры, нагревательный элемент перестанет работать.
- Когда температура окружающей среды опустится ниже заданной температуры, нагревательный элемент снова начнет работать.



## Примечания:

- для регулировки заданной температуры во время работы таймера поверните ручку регулировки режима, чтобы отображалась заданная температура, и продолжайте поворачивать ручку, пока мигает заданная температура.
- После выключения обогревателя прибор продолжит излучать тепло в течение некоторого времени благодаря уникальным свойствам металлического нагревательного элемента.

### 5.3.3 Настройка режима питания

В зависимости от потребностей вы можете настроить обогреватель на работу в 3 режимах питания (Н1, Н2 и Н3). Номинальную мощность для этих режимов питания смотрите в таблице ниже.

Н1	Н2	Н3
750 Вт	750 Вт	1500 Вт

Выполните следующие действия для смены режима питания:

1. Нажмите на ручку регулировки режима. На светодиодном дисплее обогревателя будет отображаться текущий режим питания (Н1/Н2/Н3) в течение 3 секунд.
2. При отображении Н1/Н2/Н3 поверните ручку регулировки режима для переключения между режимами Н1, Н2 и Н3.
3. При появлении нужного вам режим питания нажмите ручку регулировки режима или подождите 3 секунды, чтобы активировать новый режим питания.

Вы можете нажать ручку регулировки режима для просмотра в любое время текущего режима питания.

### 5.3.4 Использование экорезима

Обогреватель можно настроить на работу в экорезиме (экономичном режиме). В данном режиме в целях сокращения энергопотребления обогреватель автоматически регулирует свой рабочий режим в зависимости от температуры окружающей среды.

Для входа в экорезим и выхода из него нажмите на кнопку экорезима.

- В экорезиме установленная температура отображается как 2-значное число, за которым следует заглавная буква **E**. Например, если установленная температура составляет 20°C, отображаемое значение будет следующим: **20E**.

### 5.3.5 Использование режима защиты от замерзаний

Обогреватель можно настроить на работу в режиме защиты от замерзаний. Данный режим поможет предотвратить повреждение, вызванные замерзанием, в таких помещениях, как гаражи. В данном режиме нагревательный элемент будет включаться и выключаться для поддержания температуры окружающей среды примерно на уровне 5°C в целях защиты от замерзания.

Чтобы перевести обогреватель в режим защиты от замерзаний, поверните ручку регулировки режима до упора против часовой стрелки, пока на светодиодном дисплее не появится надпись **F<sub>F</sub>**.

### 5.3.6 Использование таймера

Вы можете установить таймер, чтобы обогреватель работал только в течение заданного количества часов (от 1 до 24).

Выполните следующие действия для установки таймера:

1. Нажмите и удерживайте ручку регулировки режима в течение 3 секунд. На светодиодном дисплее обогревателя отобразится число часов (00н), и в течение 3 секунд будет мигать единица измерения времени (Н).
2. Во время отображения заданного количества часов нажмите на ручку регулировки режима, чтобы просмотреть количество часов (от 0 до 24).
3. После появления желаемого количества часов (от 1 до 24) нажмите на ручку регулировки режима или подождите 3 секунд, чтобы запустить таймер.

#### **Советы:**

- после запуска таймера обогреватель отображает заданное число часов (от 1 до 24) и продолжает работать согласно предыдущим настройкам. **Примечание:** Обогреватель не будет отображать оставшееся время работы таймера.
- Во время работы таймера вы можете изменить такие настройки обогревателя, как заданная температура и режим питания, как описано в предыдущих частях данного руководства пользователя. Изменение этих настроек не повлияет на работу таймера.
- Когда таймер закончит работу, обогреватель автоматически перейдет в режим защиты от замерзаний.
- Чтобы немедленно выключить таймер, нажмите на кнопку питания или нажмите на кнопку регулировки режима и удерживайте ее в течение 3 секунд.

### **5.3.7 Другие функции**

#### **Функция запоминания**

При выключении и отсоединении обогревателя от сети питания прибор вернется в свое последнее состояние (рабочий режим и температура) после включения.

**Примечание:** Данная функция не относится к таймеру.

#### **Защита от перегрева**

Обогреватель оснащен выключателем защиты от перегрева (тепловым разъединителем), который автоматически отключает обогреватель в случае перегрева. В таком случае выполните следующие действия для устранения проблемы:

1. Отключите обогреватель и дождитесь, пока он полностью остынет.
2. Найдите причину перегрева и устраните ее (например, плохая вентиляция или предмет, закрывающий обогреватель).
3. Следуйте указаниям в инструкции по эксплуатации для запуска обогревателя.
4. Обогреватель должен снова функционировать в штатном режиме. Если проблема не будет устранена, обратитесь в нашу службу поддержки клиентов за консультацией.

#### **Защита от опрокидываний**

Обогреватель оснащен переключателем, срабатывающем при опрокидывании, который в случае опрокидывания отключит питание обогревателя. В таком случае выполните следующие действия для устранения проблемы:

1. Отключите обогреватель и дождитесь, пока он полностью остынет.
2. Снова поместите обогреватель на плоскую ровную и устойчивую поверхность.
3. Осмотрите обогреватель на предмет повреждений.
4. Только в том случае, если обогреватель не поврежден, следуйте указаниям в инструкции по эксплуатации для запуска обогревателя.
5. Обогреватель должен снова функционировать в штатном режиме. Если проблема не будет устранена, обратитесь в нашу службу поддержки клиентов за консультацией.

## Автоматическое выключение дисплея

Если пользователь не предпримет никаких действий, в целях снижения энергопотребления светодиодный дисплей автоматически погаснет через 60 секунд.

## 6. ОБСЛУЖИВАНИЕ И ОЧИСТКА

### Очистка

Со временем на обогревателе и внутри него может накапливаться пыль, что может повлиять на производительность прибора. Рекомендуется очищать обогреватель не реже одного раза в месяц.

1. Выключите обогреватель и отключите его от источника питания.
2. Подождите, пока обогреватель полностью остынет.
3. Протрите поверхность прибора мягкой влажной тканью. Для устранения любых стойких загрязнений можно использовать мягкое моющее средство.

### Примечания:

- Не используйте жесткие моющие средства, химические чистящие средства или растворители, поскольку они могут повредить поверхность обогревателя.
- Не погружайте обогреватель в воду.
- Не допускайте попадания воды или других жидкостей внутрь обогревателя, поскольку это может привести к возгоранию и/или поражению электрическим током.
- Рекомендуется периодически очищать решетки обогревателя с помощью пылесоса, без нажима проводя по ним щеткой, чтобы удалить пыль или загрязнения, которые могут скапливаться внутри или на поверхности обогревателя.
- Прежде чем снова подключать обогреватель к сети, убедитесь, что он сухой.

**ВНИМАНИЕ:** Не пытайтесь открыть корпус обогревателя. В приборе отсутствуют детали, подлежащие обслуживанию пользователем.

### Хранение

Если вы не будете использовать обогреватель в течение длительного времени, после его очистки выполните следующие действия:

1. Убедитесь, что обогреватель выключен и отключен от источника питания.
2. Накройте обогреватель и храните его вертикально в сухом помещении, где на него не будут попадать прямые солнечные лучи. **Примечание:** Длительное воздействие прямых солнечных лучей может привести к обесцвечиванию прибора.

## 7. ГАРАНТИЯ И МАСШТАБ ОТВЕТСТВЕННОСТИ

На данный продукт распространяется гарантия сроком 36 месяцев (включая юридическую гарантию сроком 24 месяцев, предусмотренную местным законодательством, и дополнительную коммерческую гарантию сроком 12 месяца, предлагаемую производителем) со дня покупки на любые неисправности, вызванные дефектом производства или материала.

Данная гарантия не покрывает ущерб, причиненный неправильной установкой, неправильным использованием либо обычным износом. Точнее, гарантия не распространяется на:

- повреждения или проблемы, возникшие в результате неправильной эксплуатации, несчастных случаев, физического воздействия или подключения к электросети с несоответствующей силой тока или напряжением;

- изделия с признаками изменения конструкции или поврежденными, измененными, удаленными или выцветшими гарантийными пломбами или серийными номерами;
- сменные аккумуляторы и аксессуары, гарантийный срок для которых составляет 6 месяцев;
- отказ в работе батареи, возникший в результате чересчур продолжительной зарядки или несоблюдения правил техники безопасности, приведенных в руководстве пользователя;
- эстетические дефекты, включая царапины, вмятины и повреждения иного характера;
- повреждения, вызванные вмешательством неуполномоченных специалистов;
- неисправности, вызванные естественным износом или старением устройства;
- обновления программного обеспечения вследствие изменения параметров сети;
- неисправности в работе устройства вследствие использования стороннего программного обеспечения, направленного на изменение, модификацию или адаптацию установленных программ;
- неисправности в работе устройства вследствие его использования с аксессуарами, не утвержденными производителем;
- поврежденные окислению изделия.

Ни в каких случаях производитель не несет ответственность за утерю данных, хранящихся на диске. Помимо того, производитель не обязан проверять, были ли извлечены SIM-карты и карты SD из изделий, подлежащих возврату.

Отремонтированные и замененные изделия могут содержать как новые, так и бывшие в употреблении компоненты и технические принадлежности.

## МЕТОДЫ РЕАЛИЗАЦИИ

Чтобы воспользоваться гарантийным обслуживанием, следует отнести изделие в место покупки и предоставить документ, подтверждающий приобретение изделия и дополнительных принадлежностей (например, кассовый или товарный чек и т. д.), а также оригинальную упаковку.

На изделии, упаковке или в документе, свидетельствующем о факте покупки, должна фигурировать такая важная информация, как дата покупки, модель и серийный номер или номер IMEI.

За неимением таковых предоставьте вместе с изделием элементы, необходимые для его правильной работы, такие как шнур питания, адаптер и т.д.

Если гарантия распространяется на вашу претензию, отдел послепродажного обслуживания в рамках местного законодательства может предпринять следующие меры:

- починить или заменить неисправные детали;
- обменять возвращенный продукт на аналогичный с как минимум такими же возможностями и равнозначный по эффективности;
- возместить покупателю сумму, равную цене покупки, указанной в документе, являющемся доказательством факта покупки.

Если изделие подлежит гарантийному ремонту, срок гарантийного обслуживания будет продлен на 6 месяцев, но ни в коем случае не будет суммироваться в случае возникающих впоследствии неисправностей.

## 8. ИНСТРУКЦИИ ПО УТИЛИЗАЦИИ

Зачеркнутый символ передвижного мусорного контейнера ниже указывает на то, что данный прибор не подлежит утилизации вместе с бытовыми отходами. Данный прибор необходимо доставить в службу утилизации или оставить в контейнере для электроприборов и электронного оборудования. Эти действия необходимы для того, чтобы избежать рисков для здоровья и предотвратить нанесение вреда окружающей среде. Местные предприятия (или экологический центр в вашем регионе) обязаны по закону принимать и перерабатывать такие приборы в качестве мер по экологически безопасной утилизации.



# ЗМІСТ

1. ІНСТРУКЦІЇ З ТЕХНІКИ БЕЗПЕКИ	С. 86
2. ТЕХНІЧНІ СПЕЦИФІКАЦІЇ	С. 88
3. КОМПЛЕКТАЦІЯ	С. 90
4. ОПИС ПРИСТРОЮ	С. 90
5. ВИКОРИСТАННЯ ПРИСТРОЮ	С. 90
6. ОБСЛУГОВУВАННЯ ТА ЧИЩЕННЯ	С. 94
7. ГАРАНТІЯ ТА МЕЖІ ВІДПОВІДАЛЬНОСТІ	С. 94
8. ІНСТРУКЦІЇ З УТИЛІЗАЦІЇ	С. 95

## 1. ІНСТРУКЦІЇ З ТЕХНІКИ БЕЗПЕКИ

Перед використанням цього пристрою уважно ознайомтеся з цими інструкціями та зберігайте цей посібник користувача для використання в майбутньому.



### УВАГА!

Дотримуйтеся усіх інструкцій із техніки безпеки



Прочитайте керівництво перед використанням



### УВАГА!

Не накривайте пристрій

1. Цей обігрівач призначений лише для побутового використання з невеликим навантаженням. Він не призначений для важких умов роботи, комерційного чи промислового використання, а також не може використовуватися поза приміщенням.
2. Не використовуйте цей пристрій для сушіння одягу, шарпеток та інших аналогічних речей.
3. Цим пристроєм можуть користуватися діти віком від 8 років, а також особи з обмеженими фізичними,

сенсорними чи розумовими здібностями, або з відсутністю досвіду та знань, але лише під наглядом або після проведення з ними інструктажу щодо безпечного використання цього пристрою та усвідомлення ними небезпеки, що впливає з використання цього пристрою. Діти не повинні гратися з цим пристроєм. Діти не повинні чистити та доглядати прилад без нагляду дорослих. Слід тримати подалі дітей віком менше 3 років, якщо вони не перебувають під постійним наглядом дорослих.

4. Діти віком від 3 до 8 років повинні вмикати/вимикати пристрій лише за умови, що він розташовується або був встановлений у призначеному для нього нормальному робочому положенні, і якщо діти перебувають під наглядом або були проінструктовані щодо безпечного використання приладу та зрозуміти пов'язані з ним ризики. Діти віком від 3 до 8 років не повинні підключати пристрій до електромережі, регулювати та чистити його або виконувати його технічне обслуговування.
5. **ПОПЕРЕДЖЕННЯ:** Деякі частини цього пристрою можуть сильно нагріватися і викликати опіки. Особливу увагу слід приділяти місцям перебування дітей та вразливих людей.
6. **УВАГА:** Не використовуйте цей обігрівач у невеликих приміщеннях, коли в них знаходяться люди, які не можуть самотійно вийти із приміщення, окрім випадків, коли за ними забезпечується постійний нагляд.
7. Щоб запобігти виникненню небезпечних ситуацій, заміна пошкодженого кабелю живлення має виконуватися виробником, його представником з технічного обслуговування або особами з відповідною кваліфікацією.

8. **ПОПЕРЕДЖЕННЯ:** Щоб уникнути небезпеки через ненавмисне скидання теплового вимикання, цей пристрій не можна підключати через зовнішній комутаційний пристрій, такий як таймер, або підключати до ланцюга, який регулярно вмикається та вимикається.
9. **УВАГА:** Щоб уникнути перегрівання, не накривайте пристрій.
10. Обігрівач не повинен розташовуватися безпосередньо під розеткою.
11. **УВАГА:** Щоб зменшити ризик пожежі, слідкуйте, щоб текстиль, штори або будь-який інший легкозаймистий матеріал перебували на відстані не менше 1 м від випуску повітря.
12. Не використовуйте цей пристрій у безпосередній близькості від ванни, душу або басейну. Ніколи не розташовуйте цей пристрій там, де він може впасти у ванну або іншу ємність із водою.
13. Завжди розташовуйте обігрівач на горизонтальній і стійкій поверхні.
14. Не використовуйте цей обігрівач, якщо він впав.
15. Не використовуйте цей обігрівач, що на ньому присутні видимі ознаки пошкодження.
16. Завжди від'єднуйте пристрій від електромережі, коли він не використовується.

## 2. ТЕХНІЧНІ СПЕЦИФІКАЦІЇ

Джерело живлення	230 В~, 50 – 60 Гц
Номинальна потужність	1500 Вт
Режими живлення	3
Термостат (Так/Ні)	Так
Таймер (Так/Ні)	Так
Турбо-вентилятор (Так/Ні)	N
Вага нетто	4.8кг
Розміри (Ш x Г x В)	375*245*635мм



## 2.1 Інформаційні вимоги до локальних електричних обігрівачів

Код(-и) моделі: GBXE01-7				Елемент	Одиниця
Елемент	Символ	Значення	Одиниця	Елемент	Одиниця
<b>Тепловіддача</b>				<b>Тип тепловіддачі, лише для локальних електричних обігрівачів приміщення (виберіть один)</b>	
Номінальна тепловіддача	$P_{nom}$	1,5	кВт	ручний контроль теплового навантаження, з інтегрованим термостатом	Не застосовно
Мінімальна тепловіддача (індикативна)	$P_{min}$	0,7	кВт	ручний контроль теплового навантаження із зворотним зв'язком кімнатної та/або зовнішньої температури	Не застосовно
Максимальна безперервна тепловіддача	$P_{max,c}$	1,5	кВт	електронний контроль теплового навантаження зі зворотним зв'язком для кімнатної та/або зовнішньої температури	Не застосовно
<b>Споживання електроенергії пристроєм для власного функціонування</b>				тепловіддача з використанням вентилятора	
При номінальній тепловіддачі	$e_{l_{max}}$	0,000	кВт	<b>Тип тепловіддачі/контролю температури у приміщенні (виберіть один)</b>	
При мінімальній тепловіддачі	$e_{l_{min}}$	0,000	кВт	одноетапна тепловіддача, без контролю температури у приміщенні	Hi
У режимі очікування	$e_{l_{sb}}$	0.0007	кВт	два або більше ручних етапів, без контролю температури у приміщенні	Hi
				з механічним термостатом для контролю температури у приміщенні	Hi
				з електронним контролем температури у приміщенні	Hi
				електронний контроль температури у приміщенні плюс таймер автоматичного увімкнення/вимкнення протягом дня	Так
				електронний контроль температури у приміщенні плюс таймер автоматичного увімкнення/вимкнення протягом тижня	Hi
				<b>Інші можливості контролю (можна вибрати декілька варіантів)</b>	
				контроль температури у приміщенні, з виявленням присутності	Hi
				контроль температури у приміщенні, з виявленням відкритого вікна	Hi
				з можливістю дистанційного керування	Hi
				з адаптивним контролем запуску	Hi
				з обмеженням часу роботи	Hi
				з датчиком із зачерненою кулькою	Hi
Контактні дані		Auchan – SAS OIA, 200, rue de la Recherche, Le Colibri BP 169, 59650 Villeneuve d'Ascq, France - <a href="http://www.auchan-retail.com/contact">www.auchan-retail.com/contact</a>			

### 3. КОМПЛЕКТАЦІЯ

- 1 обігрівач безоливного типу
- 2 опори із 4 приєднаними коліщатами
- 1 Посібник користувача

### 4. ОПИС ПРИСТРОЮ

#### 4.1 Список деталей

- 1. Світлодіодний дисплей
- 2. Регулятор MODE (Режим)
- 3. Кнопка режиму «ЕКО»
- 4. Кнопка живлення
- 5. Коліщатко
- 6. Опора
- 7. Ручка

### 5. ВИКОРИСТАННЯ ПРИСТРОЮ

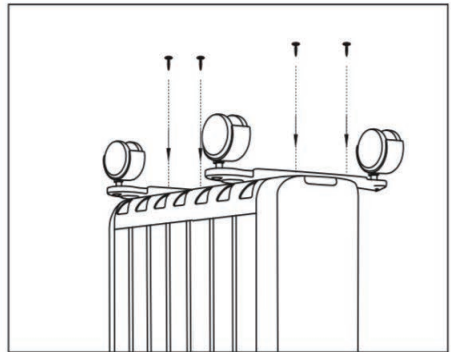
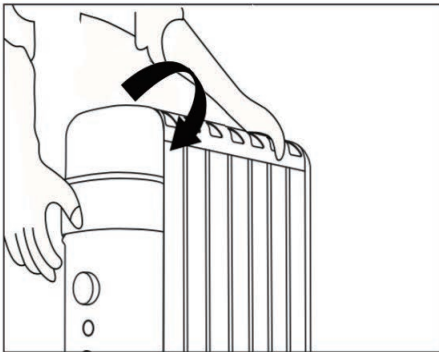
#### 5.1 Інструкції зі збирання

**УВАГА:** Обігрівач необхідно використовувати лише разом із встановленими коліщатами, і він має перебувати у вертикальному положенні.

Розпакуйте обігрівач, обережно вийміть усі деталі із пластикових пакетів та іншої упаковки. Зберігайте коробку для зберігання пристрою, коли він не використовується.

Цей обігрівач обладнаний 4 коліщатами, які були попередньо змонтовані на 2 окремих опорах, включених у комплект. Для встановлення опор на обігрівачі дотримуйтеся кроків, зображених на схемі нижче:

- 1. Переверніть обігрівач догори дном на килимі або іншій м'якій поверхні для уникнення пошкодження.
- 2. Встановіть 2 опори з обох боків на дні корпусу обігрівача. Вирівняйте отвори на опорах із отворами у нижній частині корпусу обігрівача з обох боків та зафіксуйте ці опори, використовуючи 4 надані гвинти.
- 3. Переверніть обігрівач для коригування його положення, щоб він належним чином спирався на коліщата.



## 5.2 Розташування обігрівача

Цей обігрівач може використовуватися лише на підлозі.

- Завжди розташуйте пристрій на рівній і стійкій поверхні. Якщо ви розташуєте його на нахильній поверхні, він може бути пошкоджений.
- Цей обігрівач випромінює тепло в усіх напрямках, тому навколо нього завжди має залишатися достатній простір.
- Не розташуйте цей обігрівач занадто близько до стіни або будь-яких меблів.
- Стежте за тим, щоб будь-які займисті матеріали, наприклад, меблі, подушки, постіль, папір, одяг або гардини перебували на відстані принаймні 1 метру від обігрівача.
- Не кладіть нічого на верхню частину цього обігрівача.
- Не використовуйте цей обігрівач у вологих чи мокрих приміщеннях, наприклад, у ванних кімнатах чи пральних приміщеннях, а також у місцях, де зберігається фарба чи інші займисті або леткі рідини.

## 5.3 Використання обігрівача

Перед підключенням обігрівача до електромережі, переконайтеся в наступному:

- Ваше джерело електроживлення відповідає таблиці з технічними даними на пристрої. Пристрій використовується лише у відповідності до розрахункових даних.
- Ви повинні використовувати мережеву розетку з заземленням, яка не буде використовуватися для електроживлення інших пристроїв.
- Пристрій підключений безпосередньо до настінної розетки, без використання подовжувача або переносного блоку розеток.
- Кабель електроживлення та вилка не пошкоджені.
- При підключенні і відключенні пристрою завжди слід триматися за вилку, а не за кабель.

Після підключення обігрівача до електромережі дотримуйтеся інструкцій нижче, щоб розпочати його використання.

### 5.3.1 Увімкнення/вимкнення обігрівача

Для увімкнення та вимкнення обігрівача натисніть кнопку живлення.

- Після увімкнення живлення засвітиться світлодіодний дисплей, і на ньому буде відображатися температура за замовчуванням або остання встановлена температура у градусах Цельсія.
- Встановлена температура буде відображатися з використанням 3-значного числа з одним десятковим значенням (окрім випадку, коли обігрівач перебуває в режимі «ЕКО»). Наприклад, температура 20,5 градусів буде відображатися як 20.5.
- Після увімкнення живлення нагрівальний елемент почне працювати і випромінювати тепло, використовуючи останні використовувані налаштування.
- Після вимкнення обігрівач збереже усі налаштування, такі як температуру та режим живлення. Налаштування таймера не будуть зберігатися.

### 5.3.2 Налаштування температури

Коли обігрівач відображає температуру, поверніть регулятор MODE (Режим) для налаштування заданої температури від 5 до 35°C.

- В інших режимах окрім режиму «ЕКО» задана температура буде збільшуватися/зменшуватися із кроком у 0,5°C.
- В режимі «ЕКО» задана температура буде збільшуватися/зменшуватися із кроком в 1°C.
- Коли навколишня температура досягне заданої температури, нагрівальний елемент зупинить роботу.

- Якщо навколишня температура знизиться нижче заданої температури, нагрівальний елемент знову розпочне роботу.

#### Примітки:

- Для налаштування заданої температури під час роботи таймера поверніть регулятор MODE (Режим), щоби встановлена температура відобразилася на екрані, а потім повертайте регулятор, коли встановлена температура буде блимати.
- Після того, як обігрівач буде вимкнений, він продовжить випромінювати тепло протягом певного часу у зв'язку з унікальними властивостями металевого нагрівального елемента.

### 5.3.3 Встановлення режиму живлення

Ви можете встановити 3 режими функціонування обігрівача (Н1, Н2 та Н3) у відповідності до різних вимог щодо обігрівання. Дивіться показники потужності нижче для цих режимів живлення.

Н1	Н2	Н3
750 Вт	750 Вт	1500 Вт

Щоб змінити режим живлення, виконайте кроки нижче:

1. Натисніть на регулятор MODE (Режим). Обігрівач буде відображати поточний режим живлення (Н1/Н2/Н3) на світлодіодному дисплеї протягом 3 секунд.
2. Коли буде відображатися Н1/Н2/Н3, повертайте регулятор MODE (Режим) для переходу між режимами Н1, Н2 та Н3.
3. Коли буде відображатися бажаний режим живлення, натисніть на регулятор MODE (Режим) або зачекайте протягом 3 секунд для активації нового режиму живлення.

Ви можете у будь-який час натиснути регулятор MODE (Режим) для перегляду поточного режиму живлення.

### 5.3.4 Використання режиму «ЕКО»

Обігрівач може бути встановлений на роботу в «ЕКО» (економному) режимі. У цьому режимі обігрівач автоматично регулює режим роботи на основі навколишньої температури для зниження споживання електроенергії.

Щоб перевести обігрівач в режим «ЕКО», натисніть кнопку режиму «ЕКО».

- В режимі «ЕКО» задана температура буде відображатися як 2-значне число, після якого буде слідувати велика літера **E**. Наприклад, якщо встановлена температура 20°C, ви побачите 20E на дисплеї.

### 5.3.5 Використання протиобліднювального режиму

Обігрівач може бути встановлений на роботу у протиобліднювальному режимі. Цей режим корисно використовувати в таких приміщеннях, як гаражі, для уникнення пошкодження через обледеніння. У цьому режимі нагрівальний елемент буде повторювати цикли увімкнення та вимкнення для підтримання навколишньої температури на рівні приблизно 5°C для захисту від обледеніння.

Для переведення обігрівача у протиобліднювальний режим повертайте регулятор MODE (Режим) проти годинникової стрілки, доки не побачите **F** на світлодіодному екрані.

### 5.3.6 Використання таймера

Ви можете налаштувати таймер, щоб обігрівач працював лише попередньо встановлену кількість годин (від 1 до 24).

Для налаштування таймера виконайте наступні кроки:

1. Натисніть і утримуйте натиснутим регулятор MODE (Режим) протягом 3 секунд. Обігрівач буде відображати попередньо встановлену кількість годин (00<sub>h</sub>) на світлодіодному дисплеї, й ділянка кількості годин (H) буде блимати протягом 3 секунд.
2. Коли буде відображатися попередньо встановлена кількість годин, поверніть регулятор MODE (Режим) для переходу між кількістю годин (від 0 до 24).
3. Коли з'явиться бажана кількість годин (від 1 до 24), натисніть на регулятор MODE (Режим) або зачекайте 3 секунди для запуску таймера.

#### Підказки:

- Після того, як ви запустите таймер, обігрівач буде відображати попередньо встановлену кількість годин (від 1 до 24) і продовжить працювати із використанням попередніх налаштувань. **Примітка:** Обігрівач не буде відображати залишок часу таймера.
- Коли увімкнений таймер, ви можете змінити налаштування обігрівача, наприклад, задану температуру та режим живлення, як було описано в попередніх частинах цього керівництва користувача. Зміна цих налаштувань не вплине на таймер.
- Коли таймер завершить роботу, обігрівач автоматично перейде до протиобліднювального режиму.
- Для негайного вимкнення таймера натисніть кнопку живлення або натисніть і утримуйте натиснутим регулятор MODE (Режим) протягом 3 секунд.

### 5.3.7 Інші функції

#### Функція пам'яті

Якщо ви вимкнете та/або від'єднаєте обігрівач від електромережі, він повернеться до свого останнього стану (режиму роботи та температури) після повторного увімкнення. **Примітка:** Це не застосовується до налаштувань таймера.

#### Захист від перегрівання

Обігрівач обладнаний захистом від перегрівання (теплового вимикання), що автоматично знеструмлює обігрівач у випадку перегрівання. Якщо це сталося, виконайте наступні кроки для усунення цієї проблеми:

1. Від'єднайте вилку обігрівача від електромережі і зачекайте, доки він повністю охолоне.
2. Перевірте і усуньте джерело перегрівання. Це, наприклад, може бути проблема з вентиляцією або накриття обігрівача.
3. Дотримуйтеся інструкцій з експлуатації для повторного запуску обігрівача.
4. Обігрівач повинен знову повернутися до нормального функціонування. Якщо проблема не зникне, зверніться до Центра обслуговування клієнтів за порадою.

#### Захист від перекидання

Обігрівач обладнаний захистом від перекидання, який знеструмить обігрівач, якщо той перекинеться. Якщо це сталося, виконайте наступні кроки для усунення цієї проблеми:

1. Від'єднайте вилку обігрівача від електромережі і зачекайте, доки він повністю охолоне.
2. Розташуйте виріб на плоскій, рівній та стабільній поверхні.
3. Перевірте обігрівач на наявність пошкоджень.
4. Дотримуйтеся інструкцій з експлуатації для повторного запуску обігрівача, лише якщо ви не виявили жодних пошкоджень.
5. Обігрівач повинен знову повернутися до нормального функціонування. Якщо проблема не зникне, зверніться до Центра обслуговування клієнтів за порадою.

## Автоматичне затемнення дисплея

Якщо користувач не здійснить жодних дій, світлодіодний дисплей автоматично затемниться через 60 секунд для зниження споживання електроенергії.

## 6. ОБСЛУГОВУВАННЯ ТА ЧИЩЕННЯ

### Чищення

З часом всередині обігрівача накопичується пил, що може вплинути на ефективність роботи пристрою. Ми рекомендуємо очищати обігрівач принаймні раз на місяць.

1. Вимкніть обігрівач і відключіть його від джерела живлення.
2. Зачекайте, доки обігрівач повністю охолоне.
3. Протріть корпус пристрою м'якою вологою серветкою. Для плям, що важко видаляються, можна використовувати м'який миючий засіб.

### Примітки:

- Не використовуйте агресивні миючі засоби, хімічні очищувачі або розчинники, оскільки вони можуть пошкодити покриття на поверхні обігрівача.
- Ніколи не занурюйте обігрівач у воду.
- Слідкуйте, щоб вода або інші рідини не потрапляли у внутрішні частини обігрівача, оскільки це може призвести до пожежі та/або небезпеки враження електричним струмом.
- Також рекомендується періодично чистити обігрівач пилососом на низькій потужності за допомогою насадки крізь решітки, щоб видаляти пил та бруд, які збираються всередині обігрівача чи на ньому.
- Перед повторним підключенням обігрівача до електромережі переконайтеся, що він висохнув.

**УВАГА:** За жодних обставин не намагайтеся відкрити корпус обігрівача. В ньому відсутні частини, які може ремонтувати користувач.

### Зберігання

Якщо ви не плануєте використовувати обігрівач протягом тривалого періоду, після того, як очистите його, вам слід:

1. Переконайтеся, що вимкнули обігрівач і від'єдали його від джерела живлення.
2. Накрити обігрівач і зберігати його у вертикальному положенні в сухому місці, де на нього не буде потрапляти пряме сонячне випромінювання. **Примітка:** Тривалий вплив прямого сонячного світла призведе до знебарвлення пристрою.

## 7. ГАРАНТІЯ ТА МЕЖІ ВІДПОВІДАЛЬНОСТІ

Цей виріб має гарантію на строк до 36-місячну (включаючи 24-місячну юридичну гарантію відповідно до місцевого законодавства, а також додаткову 12-місячну комерційну гарантію, пропонувану торговою маркою) із дня покупки на будь-які несправності, викликані дефектом виробництва чи матеріалу.

Ця гарантія не поширюється на пошкодження, що виникли в результаті неправильної установки, неправильного використання або нормального зносу виробу. Точніше, гарантія не поширюється на:

- Пошкодження чи проблеми, спричинені неправильною експлуатацією, нещасним випадком, несанкціонованим втручанням або підключенням до електромережі з невідповідною силою струму чи напругою
- Пристрої, які були модифіковані або в яких гарантійна пломба чи серійний номер були пошкоджені, змінені, видалені або заіржавіли
- Батареї, що замінюються, та аксесуари мають гарантію на 6 місяців
- Проблеми в роботі акумулятора, викликані надто довгим зарядженням чи недотриманням правил техніки безпеки, наведених у посібнику користувача.
- Косметичні пошкодження, зокрема подряпини, вм'ятини тощо

- Пошкодження, викликані втручанням некваліфікованих спеціалістів.
- Дефекти, викликані звичайним зношенням або старінням виробу.
- Оновлення програмного забезпечення у зв'язку зі зміною параметрів мережі.
- Проблеми в роботі виробу, викликані використанням стороннього програмного забезпечення для модифікації, зміни, адаптації чи модифікації наявного.
- Проблеми в роботі виробу, викликані експлуатацією без аксесуарів, офіційно визнаних виробником.
- Окиснені вироби.

У жодному разі виробник не відповідає за втрату даних, що зберігаються на диску. Також виробник не зобов'язаний перевіряти, чи вийняв користувач карти SIM/SD з виробів, що повертаються.

Відремонтовані чи замінені вироби можуть містити нові та/чи відновлені елементи чи обладнання.

## СПОСОБИ РЕАЛІЗАЦІЇ

Щоб скористатися гарантією, вам необхідно повернути виріб до місця його придбання разом із доказом покупки (чеком, накладною, ...) товару чи аксесуарів у комплекті та з оригінальною упаковкою.

Важливо мати інформацію стосовно дати придбання, моделі та серійного номеру чи IMEI (міжнародний ідентифікатор мобільного обладнання) (цю інформацію ви можете знайти на товарі, упаковці чи доказі покупки).

В іншому разі ви повинні принести виріб разом з аксесуарами, потрібними для його належної роботи (живлення, адаптер тощо).

Якщо гарантія поширюється на вашу претензію, відділ сервісного обслуговування в межах місцевого законодавства може:

- Полагодити або замінити несправні деталі.
- Обміняти повернений продукт на аналогічний з, як мінімум, такими ж можливостями й рівнозначний за ефективністю.
- Повернути вартість придбаного товару, вказану на документі, що підтверджує покупку.

У разі ремонту, на який поширюється гарантія, ваш гарантійний термін буде продовжений на 6 місяців, але не буде додаватися в разі повторних поломок.

UA

## 8. ІНСТРУКЦІЇ З УТИЛІЗАЦІЇ

Закреслений символ сміттового контейнера на колесах вказує на те, що цей виріб не слід утилізувати разом із побутовим сміттям. Цей продукт слід передати до пункту утилізації сміття або покласти до контейнера для електричних пристроїв та електронного обладнання. Це необхідно для уникнення ризиків для здоров'я людей та завдання шкоди навколишньому середовищу. Приймання та переробка таких виробів має здійснюватися місцевими компаніями (або пунктом приймання сміття поблизу вас) відповідно до законодавства в рамках екологічно безпечної утилізації.



**FR** - Service Clients Auchan France - 200 rue de la Recherche 59650  
Villeneuve d'Ascq - 03 59 30 59 30 - [www.auchan.fr](http://www.auchan.fr)

**ES** - Alcampo, S.A. - Supermercados Sabeco, S.A. C/ Santiago de  
Compostela Sur, s/n - 28029 Madrid - e-mail: [d.calidad@alcampo.es](mailto:d.calidad@alcampo.es)

**PT** - Serviço Auchan - Auchan Portugal Hipermercados, S.A., Travessa  
Teixeira Júnior, n.º 1, 1300 – 553 Lisboa,

E-mail : [info.MarcaAuchan@auchan.pt](mailto:info.MarcaAuchan@auchan.pt)

**PL** - Dystrybutor : Auchan Polska Sp. z o.o., ul. Puławska 46, 05-500  
Piaseczno - [www.auchan.pl](http://www.auchan.pl)

**HU** - Forgalmazza: Auchan Magyarorszá g Kft, 2040 Budaörs, Sport u. 2-4.  
- [www.auchan.hu](http://www.auchan.hu)

**RO** - Auchan România SA, Str. Braşov nr.25, Sector 6, Cod poştal 061444,  
Bucureşti, România - [www.auchan.ro](http://www.auchan.ro)

600115160

GBXE01-7



SAS OIA, 200, rue de la Recherche, Le Colibri  
BP 169, 59650 Villeneuve d'Ascq, France  
[www.auchan-retail.com/contact](http://www.auchan-retail.com/contact)

-----  
Made in China

