


APOLLO LAKE

Y116AR100

LPDDR3 216 Ball x2

 APOLLO LAKE		
Title APOLLO LAKE		
Size	Document Number	Rev
Custom	COVER PAGE	R100
Date: Tuesday, December 06, 2016		
Sheet 1 of 57		

19,21	LPDDR3_CH0_CAB7	LPDDR3_CH0_CAB7	BG50	DDR3L_CH0_MA0 / LPDDR3_CH0_CAB7	DDR3L_CH0_D00 / LPDDR3_CH0_D0A02	LPDDR3_CH0_D0A0	LPDDR3_CH0_DQ00	19
19,21	LPDDR3_CH0_CAB8	LPDDR3_CH0_CAB8	BG51	DDR3L_CH0_MA1 / LPDDR3_CH0_CAB8	DDR3L_CH0_D01 / LPDDR3_CH0_D0A01	LPDDR3_CH0_D0A1	LPDDR3_CH0_DQ01	19
19,21	LPDDR3_CH0_CAB5	LPDDR3_CH0_CAB5	BH41	DDR3L_CH0_MA2 / LPDDR3_CH0_CAB5	DDR3L_CH0_D02 / LPDDR3_CH0_D0A02	LPDDR3_CH0_D0A2	LPDDR3_CH0_DQ02	19
			BD41	DDR3L_CH0_MA3 / LPDDR3_CH0_NC	DDR3L_CH0_D03 / LPDDR3_CH0_D0A03	LPDDR3_CH0_D0A3	LPDDR3_CH0_DQ03	19
			BE41	DDR3L_CH0_MA4 / LPDDR3_CH0_NC	DDR3L_CH0_D04 / LPDDR3_CH0_D0A04	LPDDR3_CH0_D0A4	LPDDR3_CH0_DQ04	19
19,21	LPDDR3_CH0_CAA2	LPDDR3_CH0_CAA2	BJ52	DDR3L_CH0_MA5 / LPDDR3_CH0_CAA2	DDR3L_CH0_D05 / LPDDR3_CH0_D0A05	LPDDR3_CH0_D0A5	LPDDR3_CH0_DQ05	19
19,21	LPDDR3_CH0_CAA0	LPDDR3_CH0_CAA0	BG53	DDR3L_CH0_MA6 / LPDDR3_CH0_CAA0	DDR3L_CH0_D06 / LPDDR3_CH0_D0A06	LPDDR3_CH0_D0A6	LPDDR3_CH0_DQ06	19
19,21	LPDDR3_CH0_CAA3	LPDDR3_CH0_CAA3	BG55	DDR3L_CH0_MA7 / LPDDR3_CH0_CAA3	DDR3L_CH0_D07 / LPDDR3_CH0_D0A07	LPDDR3_CH0_D0A7	LPDDR3_CH0_DQ07	19
19,21	LPDDR3_CH0_CAA1	LPDDR3_CH0_CAA1	BH53	DDR3L_CH0_MA8 / LPDDR3_CH0_CAA1	DDR3L_CH0_D08 / LPDDR3_CH0_D0A08	LPDDR3_CH0_D0A8	LPDDR3_CH0_DQ08	19
19,21	LPDDR3_CH0_CAA4	LPDDR3_CH0_CAA4	BG52	DDR3L_CH0_MA9 / LPDDR3_CH0_CAA4	DDR3L_CH0_D09 / LPDDR3_CH0_D0A09	LPDDR3_CH0_D0A9	LPDDR3_CH0_DQ09	19
19,21	LPDDR3_CH0_CAA6	LPDDR3_CH0_CAA6	BH49	DDR3L_CH0_MA10 / LPDDR3_CH0_CAA6	DDR3L_CH0_D10 / LPDDR3_CH0_D0A10	LPDDR3_CH0_D0A10	LPDDR3_CH0_DQ10	19
19,21	LPDDR3_CH0_CAA5	LPDDR3_CH0_CAA5	BH55	DDR3L_CH0_MA11 / LPDDR3_CH0_CAA5	DDR3L_CH0_D11 / LPDDR3_CH0_D0A11	LPDDR3_CH0_D0A11	LPDDR3_CH0_DQ11	19
19,21	LPDDR3_CH0_CAA8	LPDDR3_CH0_CAA8	BG54	DDR3L_CH0_MA12 / LPDDR3_CH0_CAA8	DDR3L_CH0_D12 / LPDDR3_CH0_D0A12	LPDDR3_CH0_D0A12	LPDDR3_CH0_DQ12	19
19,21	LPDDR3_CH0_CAA9	LPDDR3_CH0_CAA9	BG56	DDR3L_CH0_MA13 / LPDDR3_CH0_CAA9	DDR3L_CH0_D13 / LPDDR3_CH0_D0A13	LPDDR3_CH0_D0A13	LPDDR3_CH0_DQ13	19
19,21	LPDDR3_CH0_CAA7	LPDDR3_CH0_CAA7	BH56	DDR3L_CH0_MA14 / LPDDR3_CH0_CAA7	DDR3L_CH0_D14 / LPDDR3_CH0_D0A14	LPDDR3_CH0_D0A14	LPDDR3_CH0_DQ14	19
19,21	LPDDR3_CH0_CAA9	LPDDR3_CH0_CAA9	BG57	DDR3L_CH0_MA15 / LPDDR3_CH0_CAA9	DDR3L_CH0_D15 / LPDDR3_CH0_D0A15	LPDDR3_CH0_D0A15	LPDDR3_CH0_DQ15	19
19,21	LPDDR3_CH0_CAB2	LPDDR3_CH0_CAB2	BJ48	DDR3L_CH0_BA0 / LPDDR3_CH0_CAB2	DDR3L_CH0_D16 / LPDDR3_CH0_D0A16	LPDDR3_CH0_D0A16	LPDDR3_CH0_DQ16	19
19,21	LPDDR3_CH0_CAB8	LPDDR3_CH0_CAB8	BG49	DDR3L_CH0_BA1 / LPDDR3_CH0_CAB8	DDR3L_CH0_D17 / LPDDR3_CH0_D0A17	LPDDR3_CH0_D0A17	LPDDR3_CH0_DQ17	19
19,21	LPDDR3_CH0_CAA7	LPDDR3_CH0_CAA7	BH57	DDR3L_CH0_BA2 / LPDDR3_CH0_CAA7	DDR3L_CH0_D18 / LPDDR3_CH0_D0A18	LPDDR3_CH0_D0A18	LPDDR3_CH0_DQ18	19
19,21	LPDDR3_CH0_CAB1	LPDDR3_CH0_CAB1	BH47	DDR3L_CH0_CASN / LPDDR3_CH0_CAB1	DDR3L_CH0_D19 / LPDDR3_CH0_D0A19	LPDDR3_CH0_D0A19	LPDDR3_CH0_DQ19	19
19,21	LPDDR3_CH0_CAB4	LPDDR3_CH0_CAB4	BG48	DDR3L_CH0_WEN / LPDDR3_CH0_CAB4	DDR3L_CH0_D20 / LPDDR3_CH0_D0A20	LPDDR3_CH0_D0A20	LPDDR3_CH0_DQ20	19
19,21	LPDDR3_CH0_CAB3	LPDDR3_CH0_CAB3	BG47	DDR3L_CH0_RASN / LPDDR3_CH0_CAB3	DDR3L_CH0_D21 / LPDDR3_CH0_D0A21	LPDDR3_CH0_D0A21	LPDDR3_CH0_DQ21	19
19	LPDDR3_CH0_CSA0_N	LPDDR3_CH0_CSA0_N	AR43	DDR3L_CH0_CS0N / LPDDR3_CH0_CSA0_N	DDR3L_CH0_D22 / LPDDR3_CH0_D0A22	LPDDR3_CH0_D0A22	LPDDR3_CH0_DQ22	19
19	LPDDR3_CH0_CSA0_N	LPDDR3_CH0_CSA0_N	BH41	DDR3L_CH0_CS0N / LPDDR3_CH0_CSA0_N	DDR3L_CH0_D23 / LPDDR3_CH0_D0A23	LPDDR3_CH0_D0A23	LPDDR3_CH0_DQ23	19
19	LPDDR3_CH0_CSA1_N	LPDDR3_CH0_CSA1_N	BA41	DDR3L_CH0_CS1N / LPDDR3_CH0_CSA1_N	DDR3L_CH0_D24 / LPDDR3_CH0_D0A24	LPDDR3_CH0_D0A24	LPDDR3_CH0_DQ24	19
19	LPDDR3_CH0_CSA1_N	LPDDR3_CH0_CSA1_N	AT43	DDR3L_CH0_CS1N / LPDDR3_CH0_CSA1_N	DDR3L_CH0_D25 / LPDDR3_CH0_D0A25	LPDDR3_CH0_D0A25	LPDDR3_CH0_DQ25	19
19	LPDDR3_CH0_CKEA0_N	LPDDR3_CH0_CKEA0_N	BH61	DDR3L_CH0_CKE0 / LPDDR3_CH0_CKEA0_N	DDR3L_CH0_D26 / LPDDR3_CH0_D0A26	LPDDR3_CH0_D0A26	LPDDR3_CH0_DQ26	19
19	LPDDR3_CH0_CKEA1_N	LPDDR3_CH0_CKEA1_N	BH60	DDR3L_CH0_CKE1 / LPDDR3_CH0_CKEA1_N	DDR3L_CH0_D27 / LPDDR3_CH0_D0A27	LPDDR3_CH0_D0A27	LPDDR3_CH0_DQ27	19
19	LPDDR3_CH0_CKEB0_N	LPDDR3_CH0_CKEB0_N	BH58	DDR3L_CH0_NC / LPDDR3_CH0_CKEB0_N	DDR3L_CH0_D28 / LPDDR3_CH0_D0A28	LPDDR3_CH0_D0A28	LPDDR3_CH0_DQ28	19
19	LPDDR3_CH0_CKEB1_N	LPDDR3_CH0_CKEB1_N	BJ58	DDR3L_CH0_NC / LPDDR3_CH0_CKEB1_N	DDR3L_CH0_D29 / LPDDR3_CH0_D0A29	LPDDR3_CH0_D0A29	LPDDR3_CH0_DQ29	19
19	LPDDR3_CH0_ODT_B	LPDDR3_CH0_ODT_B	AW41	DDR3L_CH0_ODT1 / LPDDR3_CH0_ODT_B	DDR3L_CH0_D30 / LPDDR3_CH0_D0A30	LPDDR3_CH0_D0A30	LPDDR3_CH0_DQ30	19
19	LPDDR3_CH0_ODT_A	LPDDR3_CH0_ODT_A	AW43	DDR3L_CH0_ODT0 / LPDDR3_CH0_ODT_A	DDR3L_CH0_D31 / LPDDR3_CH0_D0A31	LPDDR3_CH0_D0A31	LPDDR3_CH0_DQ31	19
19	+VREFDQ0_SOC	+VREFDQ0_SOC	AT34	DDR3L_CH0_VREFDQ / LPDDR3_CH0_VREFDQ	DDR3L_CH0_D32 / LPDDR3_CH0_D0B32	LPDDR3_CH0_D0B32	LPDDR3_CH0_DQ32	19
19	+VREFCA0_SOC	+VREFCA0_SOC	AR35	DDR3L_CH0_VREFCA / LPDDR3_CH0_VREFCA	DDR3L_CH0_D33 / LPDDR3_CH0_D0B33	LPDDR3_CH0_D0B33	LPDDR3_CH0_DQ33	19
	DDR_RCMP0	DDR_RCMP0	AV34	DDR3L_CH0_RPDEXT / LPDDR3_CH0_RPDEXT	DDR3L_CH0_D34 / LPDDR3_CH0_D0B34	LPDDR3_CH0_D0B34	LPDDR3_CH0_DQ34	19
19,21	LPDDR3_CH0_CLKB_P	LPDDR3_CH0_CLKB_P	BD45	DDR3L_CH0_CKP0 / LPDDR3_CH0_CKP0B	DDR3L_CH0_D35 / LPDDR3_CH0_D0B35	LPDDR3_CH0_D0B35	LPDDR3_CH0_DQ35	19
19,21	LPDDR3_CH0_CLKB_N	LPDDR3_CH0_CLKB_N	BE45	DDR3L_CH0_CK0N / LPDDR3_CH0_CK0NB	DDR3L_CH0_D36 / LPDDR3_CH0_D0B36	LPDDR3_CH0_D0B36	LPDDR3_CH0_DQ36	19
19,21	LPDDR3_CH0_CLKA_P	LPDDR3_CH0_CLKA_P	BB48	DDR3L_CH0_CKP1 / LPDDR3_CH0_CKP1A	DDR3L_CH0_D37 / LPDDR3_CH0_D0B37	LPDDR3_CH0_D0B37	LPDDR3_CH0_DQ37	19
19,21	LPDDR3_CH0_CLKA_N	LPDDR3_CH0_CLKA_N	BD48	DDR3L_CH0_CKN1 / LPDDR3_CH0_CKN1A	DDR3L_CH0_D38 / LPDDR3_CH0_D0B38	LPDDR3_CH0_D0B38	LPDDR3_CH0_DQ38	19
			AR30	DDR3L_CH1_RESETB	DDR3L_CH0_D39 / LPDDR3_CH0_D0B39	LPDDR3_CH0_D0B39	LPDDR3_CH0_DQ39	19
			AR34	DDR3L_CH0_RESETB	DDR3L_CH0_D40 / LPDDR3_CH0_D0B40	LPDDR3_CH0_D0B40	LPDDR3_CH0_DQ40	19
			AV30	DDR1RPDEXT_NC	DDR3L_CH0_D41 / LPDDR3_CH0_D0B41	LPDDR3_CH0_D0B41	LPDDR3_CH0_DQ41	19
					DDR3L_CH0_D42 / LPDDR3_CH0_D0B42	LPDDR3_CH0_D0B42	LPDDR3_CH0_DQ42	19
					DDR3L_CH0_D43 / LPDDR3_CH0_D0B43	LPDDR3_CH0_D0B43	LPDDR3_CH0_DQ43	19
					DDR3L_CH0_D44 / LPDDR3_CH0_D0B44	LPDDR3_CH0_D0B44	LPDDR3_CH0_DQ44	19
					DDR3L_CH0_D45 / LPDDR3_CH0_D0B45	LPDDR3_CH0_D0B45	LPDDR3_CH0_DQ45	19
					DDR3L_CH0_D46 / LPDDR3_CH0_D0B46	LPDDR3_CH0_D0B46	LPDDR3_CH0_DQ46	19
					DDR3L_CH0_D47 / LPDDR3_CH0_D0B47	LPDDR3_CH0_D0B47	LPDDR3_CH0_DQ47	19
					DDR3L_CH0_D48 / LPDDR3_CH0_D0B48	LPDDR3_CH0_D0B48	LPDDR3_CH0_DQ48	19
					DDR3L_CH0_D49 / LPDDR3_CH0_D0B49	LPDDR3_CH0_D0B49	LPDDR3_CH0_DQ49	19
					DDR3L_CH0_D50 / LPDDR3_CH0_D0B50	LPDDR3_CH0_D0B50	LPDDR3_CH0_DQ50	19
					DDR3L_CH0_D51 / LPDDR3_CH0_D0B51	LPDDR3_CH0_D0B51	LPDDR3_CH0_DQ51	19
					DDR3L_CH0_D52 / LPDDR3_CH0_D0B52	LPDDR3_CH0_D0B52	LPDDR3_CH0_DQ52	19
					DDR3L_CH0_D53 / LPDDR3_CH0_D0B53	LPDDR3_CH0_D0B53	LPDDR3_CH0_DQ53	19
					DDR3L_CH0_D54 / LPDDR3_CH0_D0B54	LPDDR3_CH0_D0B54	LPDDR3_CH0_DQ54	19
					DDR3L_CH0_D55 / LPDDR3_CH0_D0B55	LPDDR3_CH0_D0B55	LPDDR3_CH0_DQ55	19
					DDR3L_CH0_D56 / LPDDR3_CH0_D0B56	LPDDR3_CH0_D0B56	LPDDR3_CH0_DQ56	19
					DDR3L_CH0_D57 / LPDDR3_CH0_D0B57	LPDDR3_CH0_D0B57	LPDDR3_CH0_DQ57	19
					DDR3L_CH0_D58 / LPDDR3_CH0_D0B58	LPDDR3_CH0_D0B58	LPDDR3_CH0_DQ58	19
					DDR3L_CH0_D59 / LPDDR3_CH0_D0B59	LPDDR3_CH0_D0B59	LPDDR3_CH0_DQ59	19
					DDR3L_CH0_D60 / LPDDR3_CH0_D0B60	LPDDR3_CH0_D0B60	LPDDR3_CH0_DQ60	19
					DDR3L_CH0_D61 / LPDDR3_CH0_D0B61	LPDDR3_CH0_D0B61	LPDDR3_CH0_DQ61	19
					DDR3L_CH0_D62 / LPDDR3_CH0_D0B62	LPDDR3_CH0_D0B62	LPDDR3_CH0_DQ62	19
					DDR3L_CH0_D63 / LPDDR3_CH0_D0B63	LPDDR3_CH0_D0B63	LPDDR3_CH0_DQ63	19
					DDR3L_CH0_D64 / LPDDR3_CH0_D0B64	LPDDR3_CH0_D0B64	LPDDR3_CH0_DQ64	19
					DDR3L_CH0_D65 / LPDDR3_CH0_D0B65	LPDDR3_CH0_D0B65	LPDDR3_CH0_DQ65	19
					DDR3L_CH0_D66 / LPDDR3_CH0_D0B66	LPDDR3_CH0_D0B66	LPDDR3_CH0_DQ66	19
					DDR3L_CH0_D67 / LPDDR3_CH0_D0B67	LPDDR3_CH0_D0B67	LPDDR3_CH0_DQ67	19
					DDR3L_CH0_D68 / LPDDR3_CH0_D0B68	LPDDR3_CH0_D0B68	LPDDR3_CH0_DQ68	19
					DDR3L_CH0_D69 / LPDDR3_CH0_D0B69	LPDDR3_CH0_D0B69	LPDDR3_CH0_DQ69	19
					DDR3L_CH0_D70 / LPDDR3_CH0_D0B70	LPDDR3_CH0_D0B70	LPDDR3_CH0_DQ70	19
					DDR3L_CH0_D71 / LPDDR3_CH0_D0B71	LPDDR3_CH0_D0B71	LPDDR3_CH0_DQ71	19
					DDR3L_CH0_D72 / LPDDR3_CH0_D0B72	LPDDR3_CH0_D0B72	LPDDR3_CH0_DQ72	19
					DDR3L_CH0_D73 / LPDDR3_CH0_D0B73	LPDDR3_CH0_D0B73	LPDDR3_CH0_DQ73	19
					DDR3L_CH0_D74 / LPDDR3_CH0_D0B74	LPDDR3_CH0_D0B74	LPDDR3_CH0_DQ74	19
					DDR3L_CH0_D75 / LPDDR3_CH0_D0B75	LPDDR3_CH0_D0B75	LPDDR3_CH0_DQ75	19
					DDR3L_CH0_D76 / LPDDR3_CH0_D0B76	LPDDR3_CH0_D0B76	LPDDR3_CH0_DQ76	19
					DDR3L_CH0_D77 / LPDDR3_CH0_D0B77	LPDDR3_CH0_D0B77	LPDDR3_CH0_DQ77	19
					DDR3L_CH0_D78 / LPDDR3_CH0_D0B78	LPDDR3_CH0_D0B78	LPDDR3_CH0_DQ78	19
					DDR3L_CH0_D79 / LPDDR3_CH0_D0B79	LPDDR3_CH0_D0B79	LPDDR3_CH0_DQ79	19
					DDR3L_CH0_D80 / LPDDR3_CH0_D0B80	LPDDR3_CH0_D0B80	LPDDR3_CH0_DQ80	19
					DDR3L_CH0_D81 / LPDDR3_CH0_D0B81	LPDDR3_CH0_D0B81	LPDDR3_CH0_DQ81	19
					DDR3L_CH0_D82 / LPDDR3_CH0_D0B82	LPDDR3_CH0_D0B82	LPDDR3_CH0_DQ82	19
					DDR3L_CH0_D83 / LPDDR3_CH0_D0B83	LPDDR3_CH0_D0B83	LPDDR3_CH0_DQ83	19
					DDR3L_CH0_D84 / LPDDR3_CH0_D0B84	LPDDR3_CH0_D0B84	LPDDR3_CH0_DQ84	19
					DDR3L_CH0_D85 / LPDDR3_CH0_D0B85	LPDDR3_CH0_D0B85	LPDDR3_CH0_DQ85	19
					DDR3L_CH0_D86 / LPDDR3_CH0_D0B86	LPDDR3_CH0_D0B86	LPDDR3_CH0_DQ86	19
					DDR3L_CH0_D87 / LPDDR3_CH0_D0B87	LPDDR3_CH0_D0B87	LPDDR3_CH0_DQ87	19
					DDR3L_CH0_D88 / LPDDR3_CH0_D0B88	LPDDR3_CH0_D0B88	LPDDR3_CH0_DQ88	19
					DDR3L_CH0_D89 / LPDDR3_CH0_D0B89	LPDDR3_CH0_D0B89	LPDDR3_CH0_DQ89	19
					DDR3L_CH0_D90 / LPDDR3_CH0_D0B90	LPDDR3_CH0_D0B90	LPDDR3_CH0_DQ90	19
					DDR3L_CH0_D91 / LPDDR3_CH0_D0B91	LPDDR3_CH0_D0B91	LPDDR3_CH0_DQ91	19
					DDR3L_CH0_D92 / LPDDR3_CH0_D0B92	LPDDR3_CH0_D0B92	LPDDR3_CH0_DQ92	19
					DDR3L_CH0_D93 / LPDDR3_CH0_D0B93	LPDDR3_CH0_D0B93	LPDDR3_CH0_DQ93	19
					DDR3L_CH0_D94 / LPDDR3_CH0_D0B94	LPDDR3_CH0_D0B94	LPDDR3_CH0_DQ94	19
					DDR3L_CH0_D95 / LPDDR3_CH0_D0B95	LPDDR3_CH0_D0B95	LPDDR3_CH0_DQ95	19
					DDR3L_CH0_D96 / LPDDR3_CH0_D0B96	LPDDR3_CH0_D0B96	LPDDR3_CH0_DQ96	19
					DDR3L_CH0_D97 / LPDDR3_CH0_D0B97	LPDDR3_CH0_D0B97	LPDDR3_CH0_DQ97	19
					DDR3L_CH0_D98 / LPDDR3_CH0_D0B98	LPDDR3_CH0_D0B98	LPDDR3_CH0_DQ98	19
					DDR3L_CH0_D99 / LPDDR3_CH0_D0B99	LPDDR3_CH0_D0B99	LPDDR3_CH0_DQ99	19
					DDR3L_CH0_D100 / LPDDR3_CH0_D0B100	LPDDR3_CH0_D0B100	LPDDR3_CH0_DQ100	19
					DDR3L_CH0_D101 / LPDDR3_CH0_D0B101	LPDDR3_CH0_D0B101	LPDDR3_CH0_DQ101	19
					DDR3L_CH0_D102 / LPDDR3_CH0_D0B102	LPDDR3_CH0_D0B102	LPDDR3_CH0_DQ102	19
					DDR3L_CH0_D103 / LPDDR3_CH0_D0B103	LPDDR3_CH0_D0B103	LPDDR3_CH0_DQ103	19
					DDR3L_CH0_D104 / LPDDR3_CH0_D0B104	LPDDR3_CH0_D0B104	LPDDR3_CH0_DQ104	19
					DDR3L_CH0_D105 / LPDDR3_CH0_D0B105	LPDDR3_CH0_D0B105	LPDDR3_CH0_DQ105	19
					DDR3L_CH0_D106 / LPDDR3_CH0_D0B106	LPDDR3_CH0_D0B106	LPDDR3_CH0_DQ106	19
					DDR3L_CH0_D107 / LPDDR3_CH0_D0B107	LPDDR3_CH0_D0B107	LPDDR3_CH0_DQ107	19
					DDR3L_CH0_D108 / LPDDR3_CH0_D0B108	LPDDR3_CH0_D0B108	LPDDR3_CH0_DQ108	19

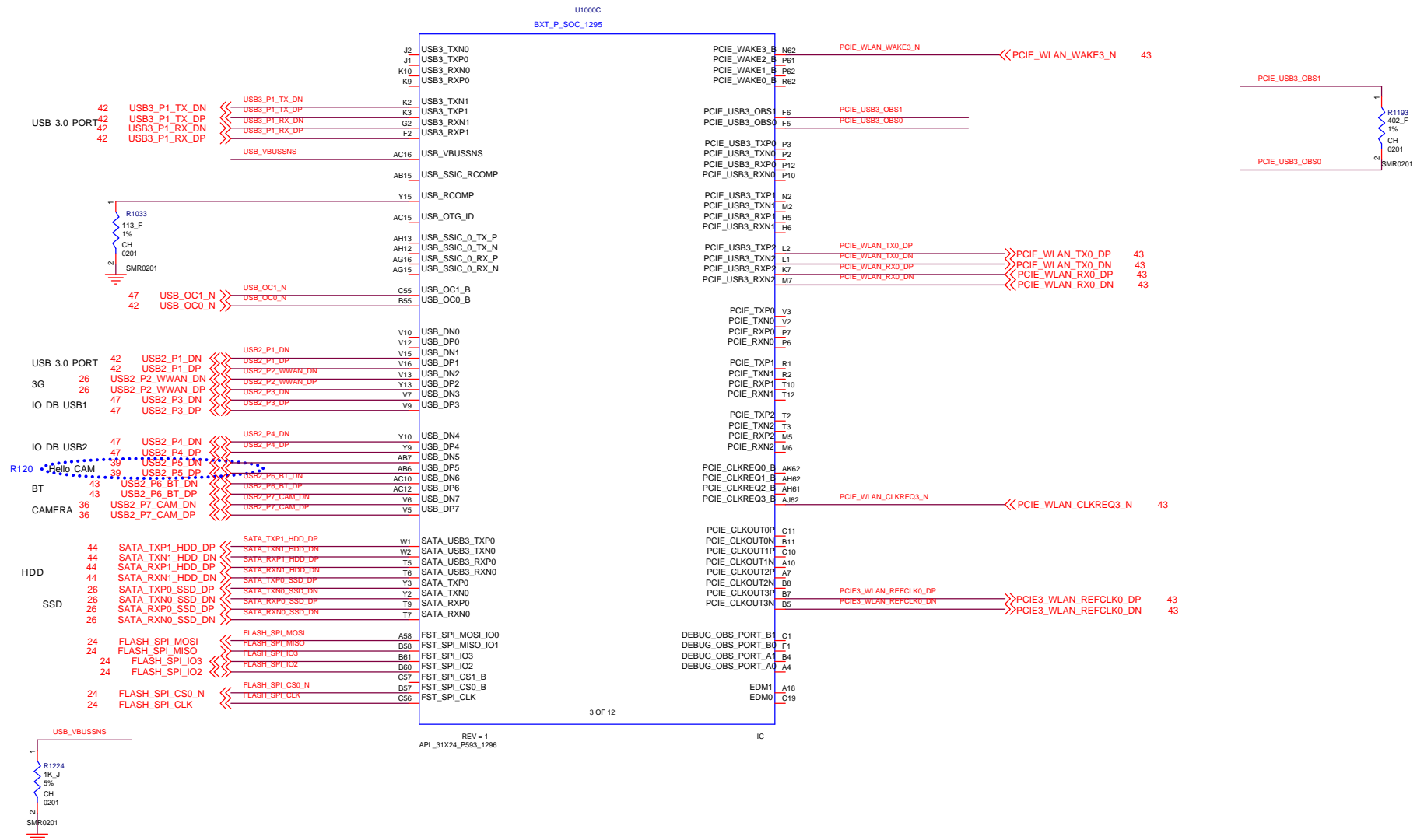
20,22	LPDDR3_CH1_CAB7	LPDDR3_CH1_CAB7	BG9	DDR3L_CH1_MA0 / LPDDR3_CH1_CAB7	DDR3L_CH1_D00 / LPDDR3_CH1_D0A0	BJ26	LPDDR3_CH1_D0A0	LPDDR3_CH1_D0A0	20
20,22	LPDDR3_CH1_CAB8	LPDDR3_CH1_CAB8	BG10	DDR3L_CH1_MA1 / LPDDR3_CH1_CAB8	DDR3L_CH1_D01 / LPDDR3_CH1_D0A1	BG30	LPDDR3_CH1_D0A1	LPDDR3_CH1_D0A1	20
20,22	LPDDR3_CH1_CAB9	LPDDR3_CH1_CAB9	BH9	DDR3L_CH1_MA2 / LPDDR3_CH1_CAB9	DDR3L_CH1_D02 / LPDDR3_CH1_D0A2	BH31	LPDDR3_CH1_D0A2	LPDDR3_CH1_D0A2	20
20,22	LPDDR3_CH1_CAA2	LPDDR3_CH1_CAA2	B016	DDR3L_CH1_MA3 / LPDDR3_CH1_CAA2	DDR3L_CH1_D03 / LPDDR3_CH1_D0A3	BG31	LPDDR3_CH1_D0A3	LPDDR3_CH1_D0A3	20
20,22	LPDDR3_CH1_CAA3	LPDDR3_CH1_CAA3	BH16	DDR3L_CH1_MA4 / LPDDR3_CH1_CAA3	DDR3L_CH1_D04 / LPDDR3_CH1_D0A4	BH27	LPDDR3_CH1_D0A4	LPDDR3_CH1_D0A4	20
20,22	LPDDR3_CH1_CAA4	LPDDR3_CH1_CAA4	BG11	DDR3L_CH1_MA5 / LPDDR3_CH1_CAA4	DDR3L_CH1_D05 / LPDDR3_CH1_D0A5	BG27	LPDDR3_CH1_D0A5	LPDDR3_CH1_D0A5	20
20,22	LPDDR3_CH1_CAA5	LPDDR3_CH1_CAA5	B112	DDR3L_CH1_MA6 / LPDDR3_CH1_CAA5	DDR3L_CH1_D06 / LPDDR3_CH1_D0A6	BG26	LPDDR3_CH1_D0A6	LPDDR3_CH1_D0A6	20
20,22	LPDDR3_CH1_CAA6	LPDDR3_CH1_CAA6	BG14	DDR3L_CH1_MA7 / LPDDR3_CH1_CAA6	DDR3L_CH1_D07 / LPDDR3_CH1_D0A7	BJ30	LPDDR3_CH1_D0A7	LPDDR3_CH1_D0A7	20
20,22	LPDDR3_CH1_CAA7	LPDDR3_CH1_CAA7	BG11	DDR3L_CH1_MA8 / LPDDR3_CH1_CAA7	DDR3L_CH1_D08 / LPDDR3_CH1_D0A8	BA30	LPDDR3_CH1_D0A8	LPDDR3_CH1_D0A8	20
20,22	LPDDR3_CH1_CAA8	LPDDR3_CH1_CAA8	BH11	DDR3L_CH1_MA9 / LPDDR3_CH1_CAA8	DDR3L_CH1_D09 / LPDDR3_CH1_D0A9	B830	LPDDR3_CH1_D0A9	LPDDR3_CH1_D0A9	20
20,22	LPDDR3_CH1_CAA9	LPDDR3_CH1_CAA9	BG7	DDR3L_CH1_MA10 / LPDDR3_CH1_CAA9	DDR3L_CH1_D010 / LPDDR3_CH1_D0A10	B830	LPDDR3_CH1_D0A10	LPDDR3_CH1_D0A10	20
20,22	LPDDR3_CH1_CAB6	LPDDR3_CH1_CAB6	BH13	DDR3L_CH1_MA11 / LPDDR3_CH1_CAB6	DDR3L_CH1_D011 / LPDDR3_CH1_D0A11	B230	LPDDR3_CH1_D0A11	LPDDR3_CH1_D0A11	20
20,22	LPDDR3_CH1_CAB7	LPDDR3_CH1_CAB7	BG13	DDR3L_CH1_MA12 / LPDDR3_CH1_CAB7	DDR3L_CH1_D012 / LPDDR3_CH1_D0A12	BE25	LPDDR3_CH1_D0A12	LPDDR3_CH1_D0A12	20
20,22	LPDDR3_CH1_CAB8	LPDDR3_CH1_CAB8	BH3	DDR3L_CH1_MA13 / LPDDR3_CH1_CAB8	DDR3L_CH1_D013 / LPDDR3_CH1_D0A13	B827	LPDDR3_CH1_D0A13	LPDDR3_CH1_D0A13	20
20,22	LPDDR3_CH1_CAB9	LPDDR3_CH1_CAB9	BG15	DDR3L_CH1_MA14 / LPDDR3_CH1_CAB9	DDR3L_CH1_D014 / LPDDR3_CH1_D0A14	BD25	LPDDR3_CH1_D0A14	LPDDR3_CH1_D0A14	20
20,22	LPDDR3_CH1_CAA9	LPDDR3_CH1_CAA9	BG16	DDR3L_CH1_MA15 / LPDDR3_CH1_CAA9	DDR3L_CH1_D015 / LPDDR3_CH1_D0A15	BD27	LPDDR3_CH1_D0A15	LPDDR3_CH1_D0A15	20
20,22	LPDDR3_CH1_CAB2	LPDDR3_CH1_CAB2	BH6	DDR3L_CH1_BA0 / LPDDR3_CH1_CAB2	DDR3L_CH1_D016 / LPDDR3_CH1_D0A16	BG24	LPDDR3_CH1_D0A16	LPDDR3_CH1_D0A16	20
20,22	LPDDR3_CH1_CAB3	LPDDR3_CH1_CAB3	BG8	DDR3L_CH1_BA1 / LPDDR3_CH1_CAB3	DDR3L_CH1_D017 / LPDDR3_CH1_D0A17	BH23	LPDDR3_CH1_D0A17	LPDDR3_CH1_D0A17	20
20,22	LPDDR3_CH1_CAB4	LPDDR3_CH1_CAB4	BH15	DDR3L_CH1_BA2 / LPDDR3_CH1_CAB4	DDR3L_CH1_D018 / LPDDR3_CH1_D0A18	BJ24	LPDDR3_CH1_D0A18	LPDDR3_CH1_D0A18	20
20,22	LPDDR3_CH1_CAB5	LPDDR3_CH1_CAB5	BJ6	DDR3L_CH1_D020 / LPDDR3_CH1_CAB5	DDR3L_CH1_D019 / LPDDR3_CH1_D0A19	BG20	LPDDR3_CH1_D0A19	LPDDR3_CH1_D0A19	20
20,22	LPDDR3_CH1_CAB6	LPDDR3_CH1_CAB6	BH4	DDR3L_CH1_RASN / LPDDR3_CH1_CAB6	DDR3L_CH1_D021 / LPDDR3_CH1_D0A21	BG21	LPDDR3_CH1_D0A21	LPDDR3_CH1_D0A21	20
20,22	LPDDR3_CH1_CAB7	LPDDR3_CH1_CAB7	BH4	DDR3L_CH1_CASN / LPDDR3_CH1_CAB7	DDR3L_CH1_D022 / LPDDR3_CH1_D0A22	BH19	LPDDR3_CH1_D0A22	LPDDR3_CH1_D0A22	20
20,22	LPDDR3_CH1_CAB8	LPDDR3_CH1_CAB8	BH7	DDR3L_CH1_WEN / LPDDR3_CH1_CAB8	DDR3L_CH1_D023 / LPDDR3_CH1_D0A23	BG25	LPDDR3_CH1_D0A23	LPDDR3_CH1_D0A23	20
20	LPDDR3_CH1_CS81_N	LPDDR3_CH1_CS81_N	AW17	DDR3L_CH1_CS1N / LPDDR3_CH1_CS81B	DDR3L_CH1_D024 / LPDDR3_CH1_D0A24	AT27	LPDDR3_CH1_D0A24	LPDDR3_CH1_D0A24	20
20	LPDDR3_CH1_CS82_N	LPDDR3_CH1_CS82_N	AW17	DDR3L_CH1_NC / LPDDR3_CH1_CS80B	DDR3L_CH1_D025 / LPDDR3_CH1_D0A25	AW29	LPDDR3_CH1_D0A25	LPDDR3_CH1_D0A25	20
20	LPDDR3_CH1_CS83_N	LPDDR3_CH1_CS83_N	BH17	DDR3L_CH1_NC / LPDDR3_CH1_CS81A	DDR3L_CH1_D026 / LPDDR3_CH1_D0A26	AR27	LPDDR3_CH1_D0A26	LPDDR3_CH1_D0A26	20
20	LPDDR3_CH1_CS84_N	LPDDR3_CH1_CS84_N	BD17	DDR3L_CH1_CS80 / LPDDR3_CH1_CS80A	DDR3L_CH1_D027 / LPDDR3_CH1_D0A27	AT23	LPDDR3_CH1_D0A27	LPDDR3_CH1_D0A27	20
20	LPDDR3_CH1_CKEA0_N	LPDDR3_CH1_CKEA0_N	BG18	DDR3L_CH1_CKE0 / LPDDR3_CH1_CKE0A	DDR3L_CH1_D028 / LPDDR3_CH1_D0A28	AV27	LPDDR3_CH1_D0A28	LPDDR3_CH1_D0A28	20
20	LPDDR3_CH1_CKEA1_N	LPDDR3_CH1_CKEA1_N	BG17	DDR3L_CH1_CKE1 / LPDDR3_CH1_CKE1A	DDR3L_CH1_D029 / LPDDR3_CH1_D0A29	AK25	LPDDR3_CH1_D0A29	LPDDR3_CH1_D0A29	20
20	LPDDR3_CH1_CKEB0_N	LPDDR3_CH1_CKEB0_N	BH17	DDR3L_CH1_NC / LPDDR3_CH1_CKE0B	DDR3L_CH1_D030 / LPDDR3_CH1_D0A30	AR23	LPDDR3_CH1_D0A30	LPDDR3_CH1_D0A30	20
20	LPDDR3_CH1_CKEB1_N	LPDDR3_CH1_CKEB1_N	B116	DDR3L_CH1_NC / LPDDR3_CH1_CKE1B	DDR3L_CH1_D031 / LPDDR3_CH1_D0A31	AW27	LPDDR3_CH1_D0A31	LPDDR3_CH1_D0A31	20
20	LPDDR3_CH1_ODT_A	LPDDR3_CH1_ODT_A	AW16	DDR3L_CH1_ODT0 / LPDDR3_CH1_ODTA	DDR3L_CH1_D032 / LPDDR3_CH1_D0B0	BF6	LPDDR3_CH1_D0B0	LPDDR3_CH1_D0B0	20
20	LPDDR3_CH1_ODT_B	LPDDR3_CH1_ODT_B	AV16	DDR3L_CH1_ODT1 / LPDDR3_CH1_ODTB	DDR3L_CH1_D033 / LPDDR3_CH1_D0B1	BD10	LPDDR3_CH1_D0B1	LPDDR3_CH1_D0B1	20
20	+VREFDQ1_SOC	+VREFDQ1_SOC	AT30	DDR3L_CH1_VREFDQ / LPDDR3_CH1_VREFDQ	DDR3L_CH1_D034 / LPDDR3_CH1_D0B2	BE14	LPDDR3_CH1_D0B2	LPDDR3_CH1_D0B2	20
20	+VREFCA1_SOC	+VREFCA1_SOC	AR29	DDR3L_CH1_VREFCA / LPDDR3_CH1_VREFCA	DDR3L_CH1_D035 / LPDDR3_CH1_D0B3	B810	LPDDR3_CH1_D0B3	LPDDR3_CH1_D0B3	20
20,22	LPDDR3_CH1_CLKB_N	LPDDR3_CH1_CLKB_N	BE19	DDR3L_CH1_D036 / LPDDR3_CH1_D0B4	DDR3L_CH1_D036 / LPDDR3_CH1_D0B4	BA14	LPDDR3_CH1_D0B4	LPDDR3_CH1_D0B4	20
20,22	LPDDR3_CH1_CLKB_P	LPDDR3_CH1_CLKB_P	BD19	DDR3L_CH1_D037 / LPDDR3_CH1_D0B5	DDR3L_CH1_D037 / LPDDR3_CH1_D0B5	BB14	LPDDR3_CH1_D0B5	LPDDR3_CH1_D0B5	20
20,22	LPDDR3_CH1_CLKA_N	LPDDR3_CH1_CLKA_N	BD21	DDR3L_CH1_D038 / LPDDR3_CH1_D0B6	DDR3L_CH1_D038 / LPDDR3_CH1_D0B6	BD14	LPDDR3_CH1_D0B6	LPDDR3_CH1_D0B6	20
20,22	LPDDR3_CH1_CLKA_P	LPDDR3_CH1_CLKA_P	BB21	DDR3L_CH1_D039 / LPDDR3_CH1_D0B7	DDR3L_CH1_D039 / LPDDR3_CH1_D0B7	BE8	LPDDR3_CH1_D0B7	LPDDR3_CH1_D0B7	20
					DDR3L_CH1_D040 / LPDDR3_CH1_D0B8	AV12	LPDDR3_CH1_D0B8	LPDDR3_CH1_D0B8	20
					DDR3L_CH1_D041 / LPDDR3_CH1_D0B9	BG6	LPDDR3_CH1_D0B9	LPDDR3_CH1_D0B9	20
					DDR3L_CH1_D042 / LPDDR3_CH1_D0B10	BD5	LPDDR3_CH1_D0B10	LPDDR3_CH1_D0B10	20
					DDR3L_CH1_D043 / LPDDR3_CH1_D0B11	BB7	LPDDR3_CH1_D0B11	LPDDR3_CH1_D0B11	20
					DDR3L_CH1_D044 / LPDDR3_CH1_D0B12	AV10	LPDDR3_CH1_D0B12	LPDDR3_CH1_D0B12	20
					DDR3L_CH1_D045 / LPDDR3_CH1_D0B13	AY9	LPDDR3_CH1_D0B13	LPDDR3_CH1_D0B13	20
					DDR3L_CH1_D046 / LPDDR3_CH1_D0B14	AY7	LPDDR3_CH1_D0B14	LPDDR3_CH1_D0B14	20
					DDR3L_CH1_D047 / LPDDR3_CH1_D0B15	BF5	LPDDR3_CH1_D0B15	LPDDR3_CH1_D0B15	20
					DDR3L_CH1_D048 / LPDDR3_CH1_D0B16	AJ2	LPDDR3_CH1_D0B16	LPDDR3_CH1_D0B16	20
					DDR3L_CH1_D049 / LPDDR3_CH1_D0B17	AT10	LPDDR3_CH1_D0B17	LPDDR3_CH1_D0B17	20
					DDR3L_CH1_D050 / LPDDR3_CH1_D0B18	AT9	LPDDR3_CH1_D0B18	LPDDR3_CH1_D0B18	20
					DDR3L_CH1_D051 / LPDDR3_CH1_D0B19	AU1	LPDDR3_CH1_D0B19	LPDDR3_CH1_D0B19	20
					DDR3L_CH1_D052 / LPDDR3_CH1_D0B20	AV5	LPDDR3_CH1_D0B20	LPDDR3_CH1_D0B20	20
					DDR3L_CH1_D053 / LPDDR3_CH1_D0B21	AV5	LPDDR3_CH1_D0B21	LPDDR3_CH1_D0B21	20
					DDR3L_CH1_D054 / LPDDR3_CH1_D0B22	AV6	LPDDR3_CH1_D0B22	LPDDR3_CH1_D0B22	20
					DDR3L_CH1_D055 / LPDDR3_CH1_D0B23	AV7	LPDDR3_CH1_D0B23	LPDDR3_CH1_D0B23	20
					DDR3L_CH1_D056 / LPDDR3_CH1_D0B24	AY2	LPDDR3_CH1_D0B24	LPDDR3_CH1_D0B24	20
					DDR3L_CH1_D057 / LPDDR3_CH1_D0B25	BD2	LPDDR3_CH1_D0B25	LPDDR3_CH1_D0B25	20
					DDR3L_CH1_D058 / LPDDR3_CH1_D0B26	BD1	LPDDR3_CH1_D0B26	LPDDR3_CH1_D0B26	20
					DDR3L_CH1_D059 / LPDDR3_CH1_D0B27	BE2	LPDDR3_CH1_D0B27	LPDDR3_CH1_D0B27	20
					DDR3L_CH1_D060 / LPDDR3_CH1_D0B28	AW1	LPDDR3_CH1_D0B28	LPDDR3_CH1_D0B28	20
					DDR3L_CH1_D061 / LPDDR3_CH1_D0B29	AW2	LPDDR3_CH1_D0B29	LPDDR3_CH1_D0B29	20
					DDR3L_CH1_D062 / LPDDR3_CH1_D0B30	AY3	LPDDR3_CH1_D0B30	LPDDR3_CH1_D0B30	20
					DDR3L_CH1_D063 / LPDDR3_CH1_D0B31	BG2	LPDDR3_CH1_D0B31	LPDDR3_CH1_D0B31	20
					DDR3L_CH1_D059 / LPDDR3_CH1_D0SPA0	BG28	LPDDR3_CH1_D0SPA0	LPDDR3_CH1_D0SPA0	20
					DDR3L_CH1_D0S0 / LPDDR3_CH1_D0SNA0	BH29	LPDDR3_CH1_D0SNA0	LPDDR3_CH1_D0SNA0	20
					DDR3L_CH1_D0S1 / LPDDR3_CH1_D0SPA1	BD29	LPDDR3_CH1_D0SPA1	LPDDR3_CH1_D0SPA1	20
					DDR3L_CH1_D0S2 / LPDDR3_CH1_D0SNA1	BH29	LPDDR3_CH1_D0SNA1	LPDDR3_CH1_D0SNA1	20
					DDR3L_CH1_D0S3 / LPDDR3_CH1_D0SPA2	BJ22	LPDDR3_CH1_D0SPA2	LPDDR3_CH1_D0SPA2	20
					DDR3L_CH1_D0S4 / LPDDR3_CH1_D0SNA2	BG22	LPDDR3_CH1_D0SNA2	LPDDR3_CH1_D0SNA2	20
					DDR3L_CH1_D0S5 / LPDDR3_CH1_D0SPA3	AV25	LPDDR3_CH1_D0SPA3	LPDDR3_CH1_D0SPA3	20
					DDR3L_CH1_D0S6 / LPDDR3_CH1_D0SNA3	AW25	LPDDR3_CH1_D0SNA3	LPDDR3_CH1_D0SNA3	20
					DDR3L_CH1_D0S7 / LPDDR3_CH1_D0SPA4	BB12	LPDDR3_CH1_D0SPA4	LPDDR3_CH1_D0SPA4	20
					DDR3L_CH1_D0S8 / LPDDR3_CH1_D0SNA4	BD12	LPDDR3_CH1_D0SNA4	LPDDR3_CH1_D0SNA4	20
					DDR3L_CH1_D0S9 / LPDDR3_CH1_D0SPA5	BH5	LPDDR3_CH1_D0SPA5	LPDDR3_CH1_D0SPA5	20
					DDR3L_CH1_D0S0 / LPDDR3_CH1_D0SNA5	BH6	LPDDR3_CH1_D0SNA5	LPDDR3_CH1_D0SNA5	20
					DDR3L_CH1_D0S1 / LPDDR3_CH1_D0SPA6	AT5	LPDDR3_CH1_D0SPA6	LPDDR3_CH1_D0SPA6	20
					DDR3L_CH1_D0S2 / LPDDR3_CH1_D0SNA6	AT6	LPDDR3_CH1_D0SNA6	LPDDR3_CH1_D0SNA6	20
					DDR3L_CH1_D0S3 / LPDDR3_CH1_D0SPA7	BC2	LPDDR3_CH1_D0SPA7	LPDDR3_CH1_D0SPA7	20
					DDR3L_CH1_D0S4 / LPDDR3_CH1_D0SNA7	BB1	LPDDR3_CH1_D0SNA7	LPDDR3_CH1_D0SNA7	20

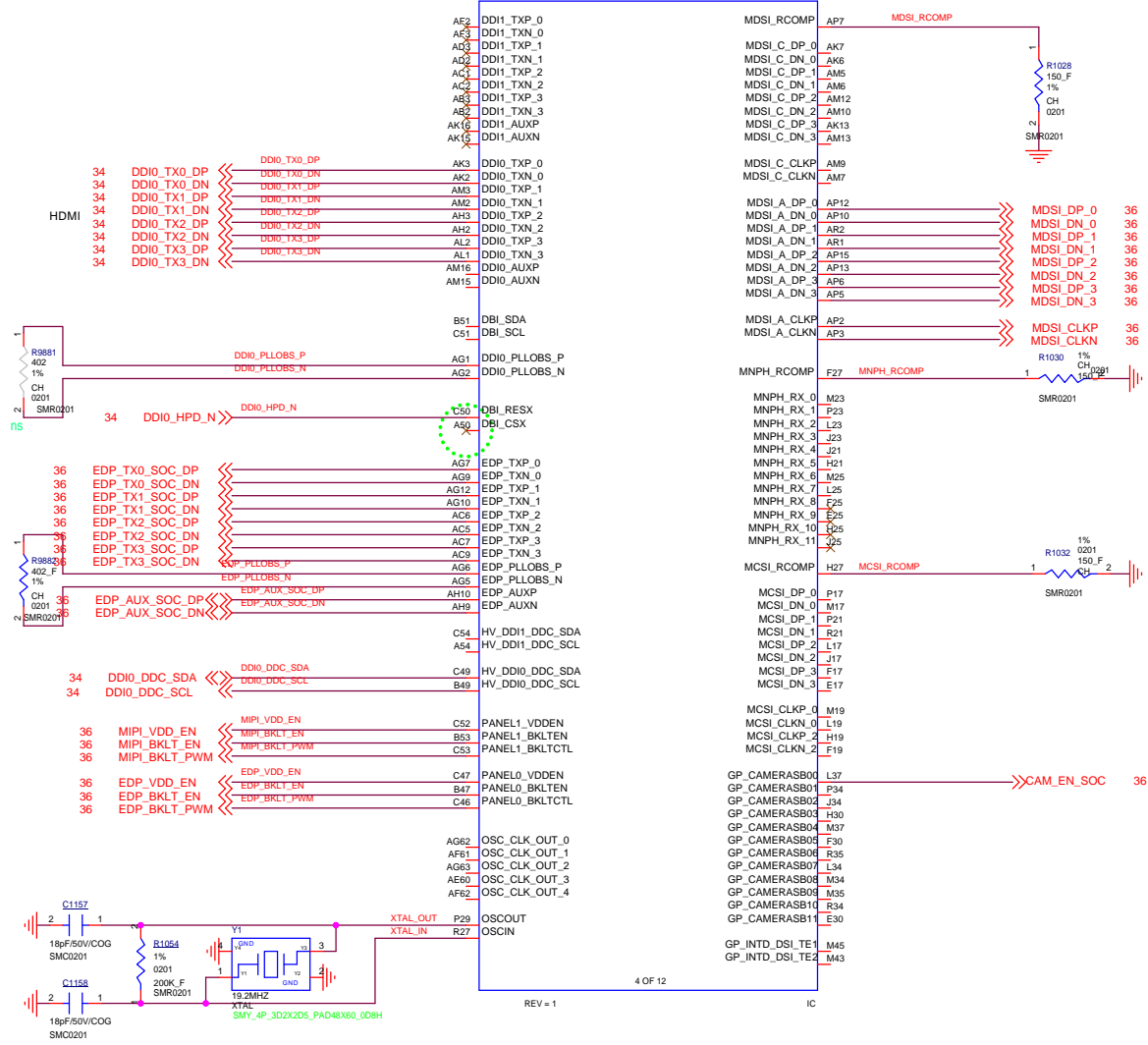
APOLLO LAKE

Title: APOLLO LAKE

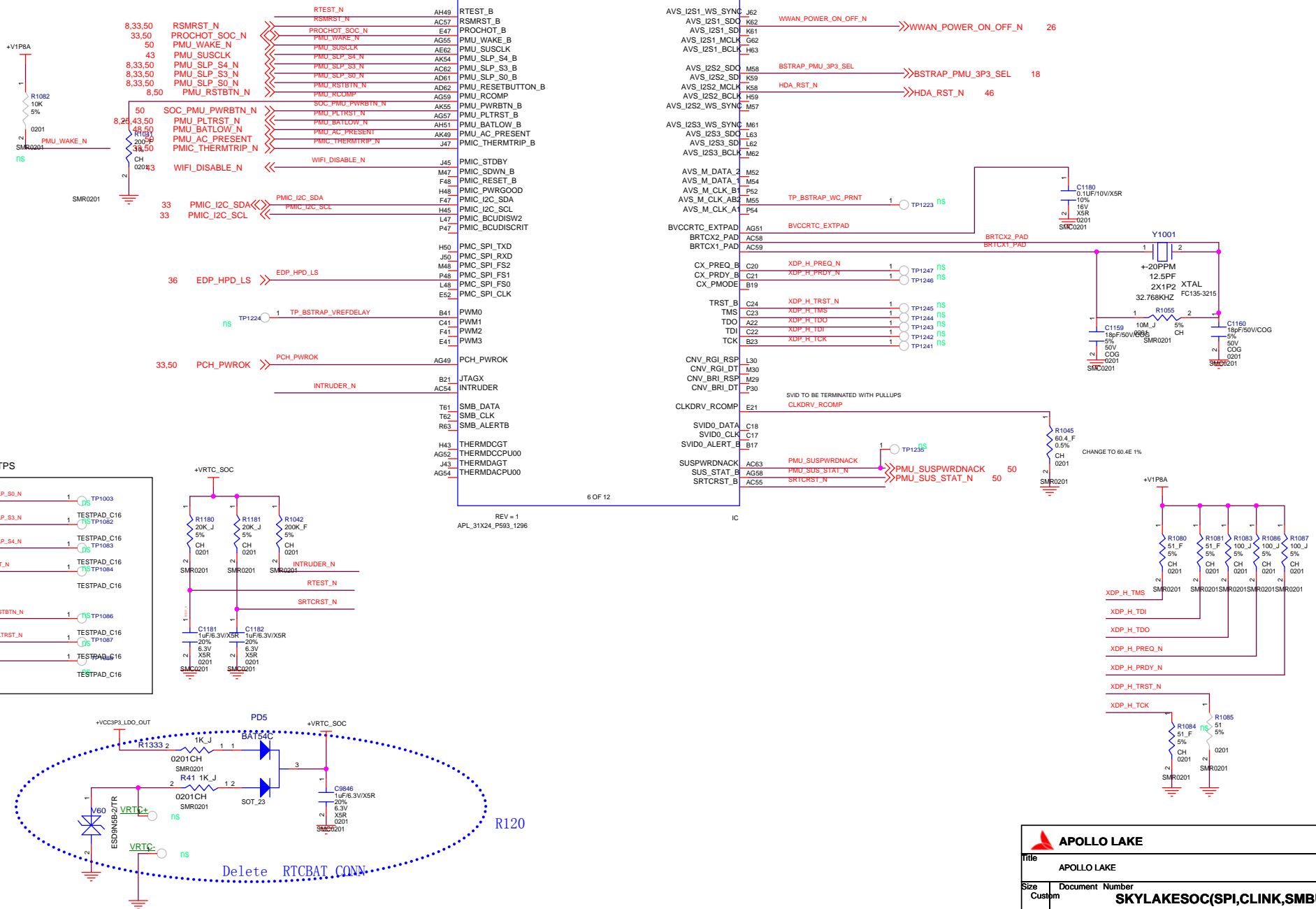
Size: Custom Document Number: LPDDR3-CPU Rev: R100

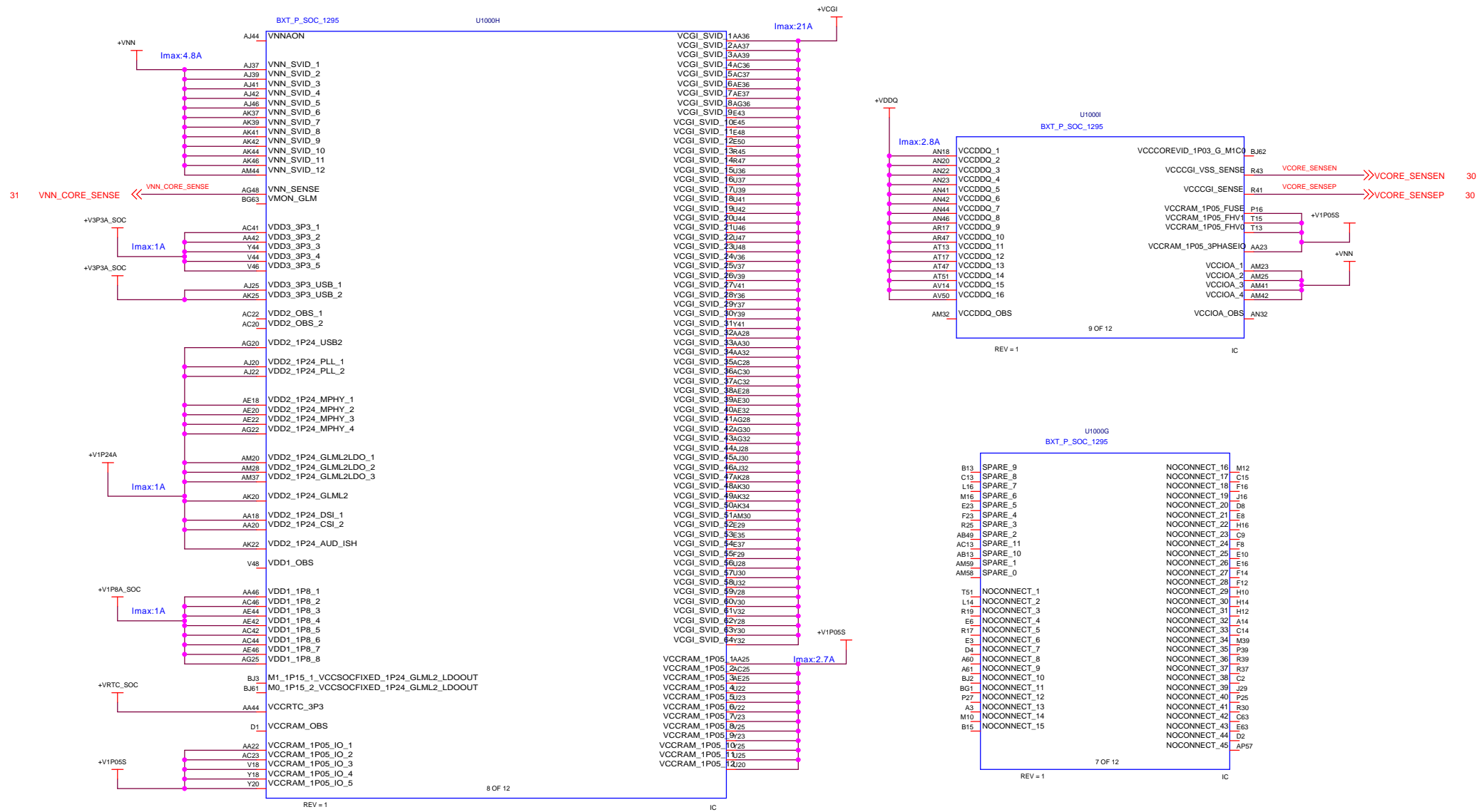
Date: Tuesday, December 06, 2016 Sheet: 4 of 57

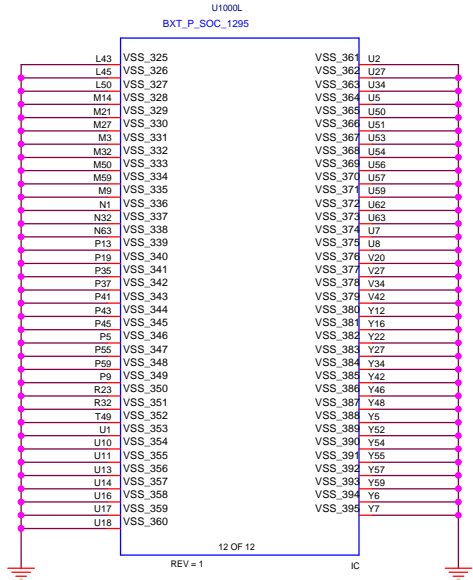
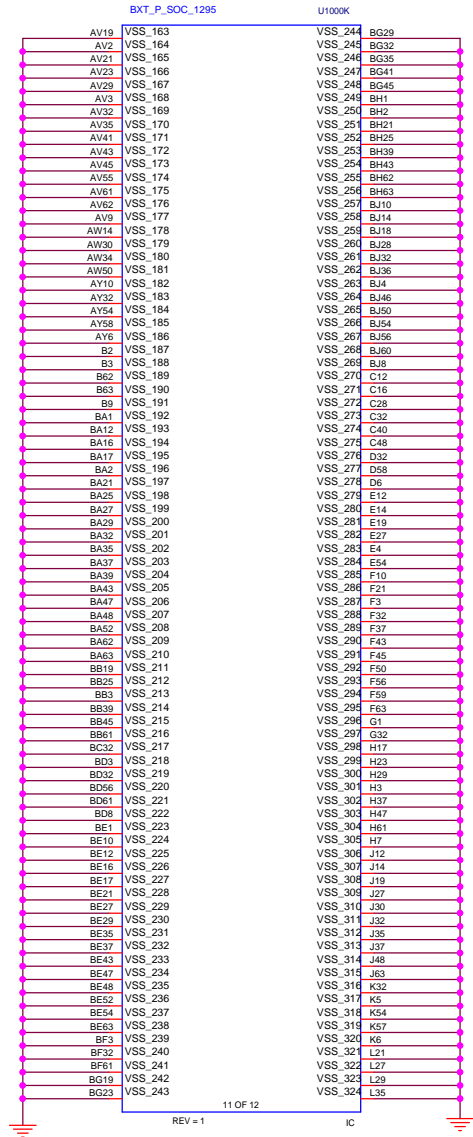
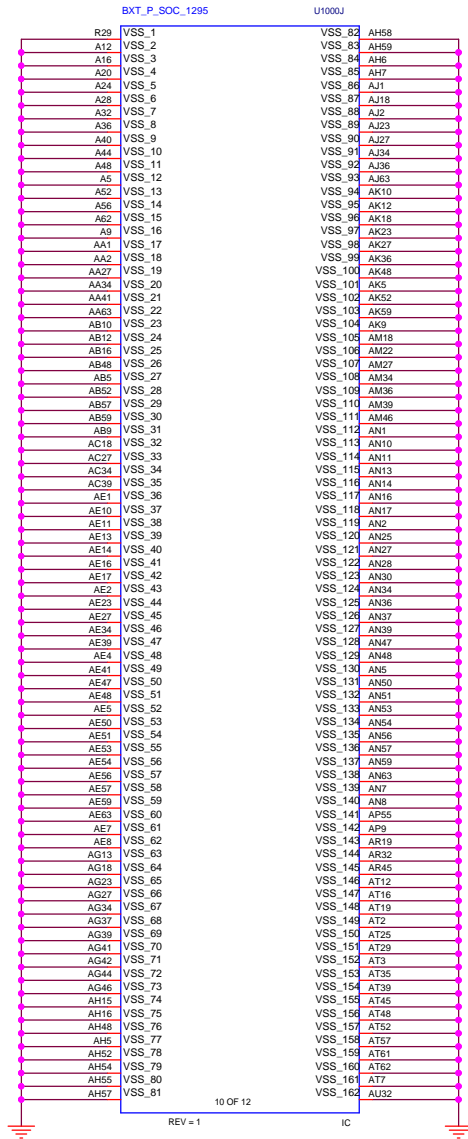




Title: APOLLO LAKE	
Size: Custom	Document Number: SKYLAKE SOC (PCIe,SATA,USB)
Date: Tuesday, December 08, 2016	Rev: R100
Sheet 6 of 57	

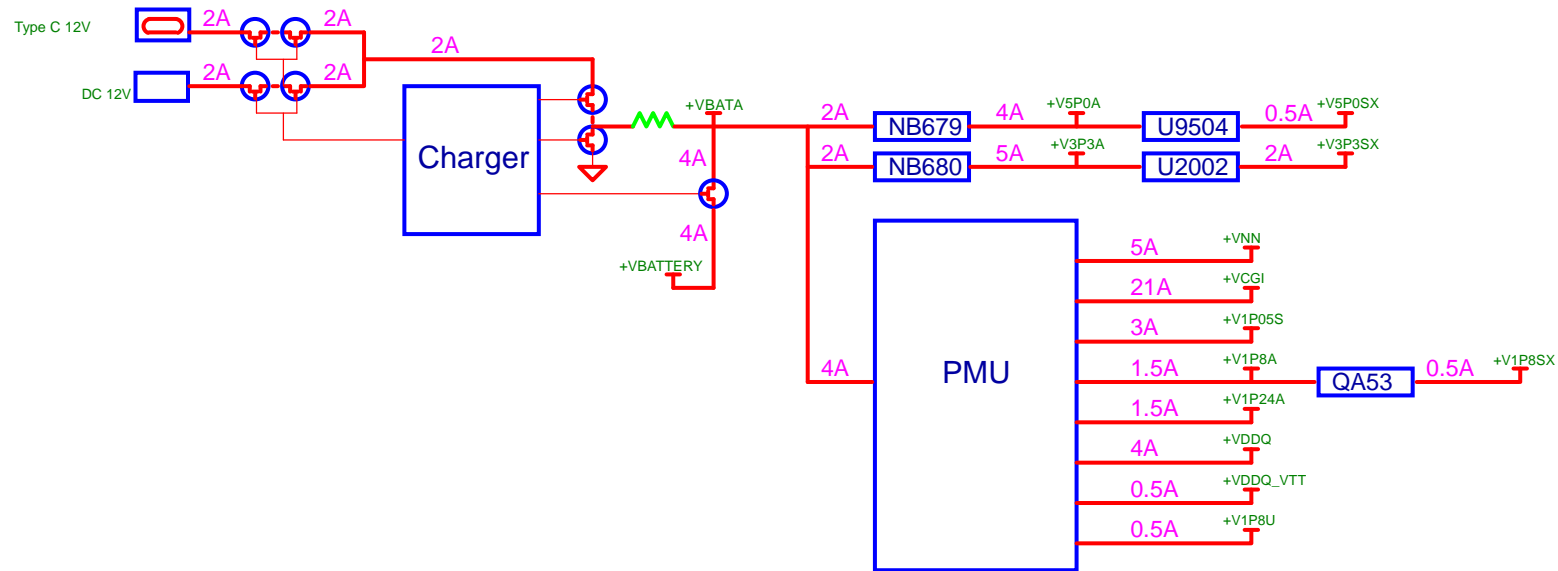







Title APOLLO LAKE			
Size Custom	Document Number SKYLAKE SOC(CLOCKS,PWRMGMT)	Rev R100	
Date: Tuesday, December 06, 2016	Sheet 10	of 57	


Power Deliver




BLANK

 APOLLO LAKE			
Title APOLLO LAKE			
Size	Document	Number	Rev
Custom	SKYLAKE SOC (CPU POWER)		R100
Date:	Tuesday, December 06, 2016		Sheet 12 of 57


BLANK

 APOLLO LAKE			
Title			
APOLLO LAKE			
Size	Document	Number	Rev
Custom	SKYLAKE SOC (PCH POWER)		R100
Date:	Tuesday, December 06, 2016	Sheet	13 of 57


BLANK

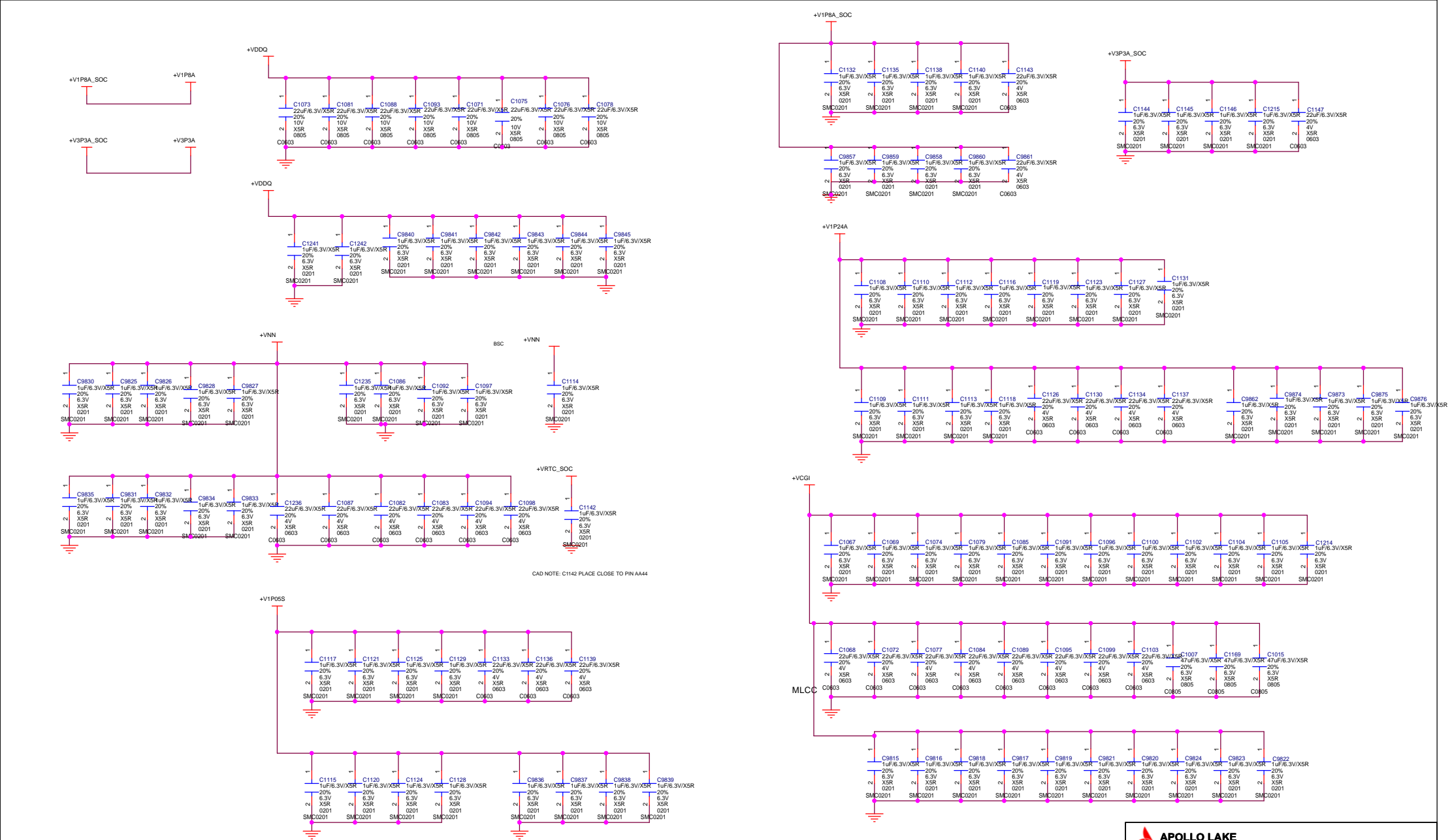
 APOLLO LAKE			
Title APOLLO LAKE			
Size	Document	Number	Rev
Custom	SKYLAKE SOC (CPU MISC,JTAG)		R100
Date:	Tuesday, December 06, 2016		Sheet 14 of 57

BLANK

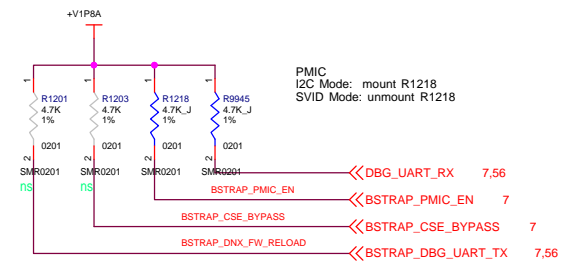
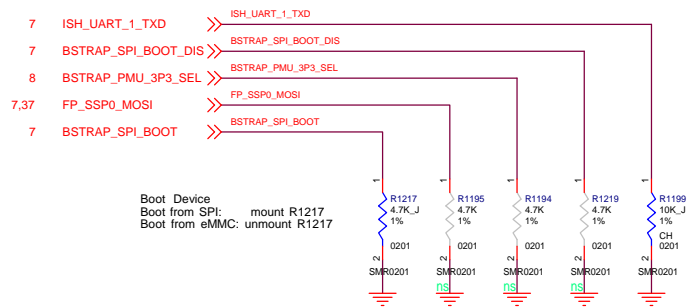
 APOLLO LAKE		
Title APOLLO LAKE		
Size	Document Number	Rev
Custom	SKYLAKE SOC (RSVD TEST)	R100
Date: Tuesday, December 06, 2016		
Sheet 15 of 57		

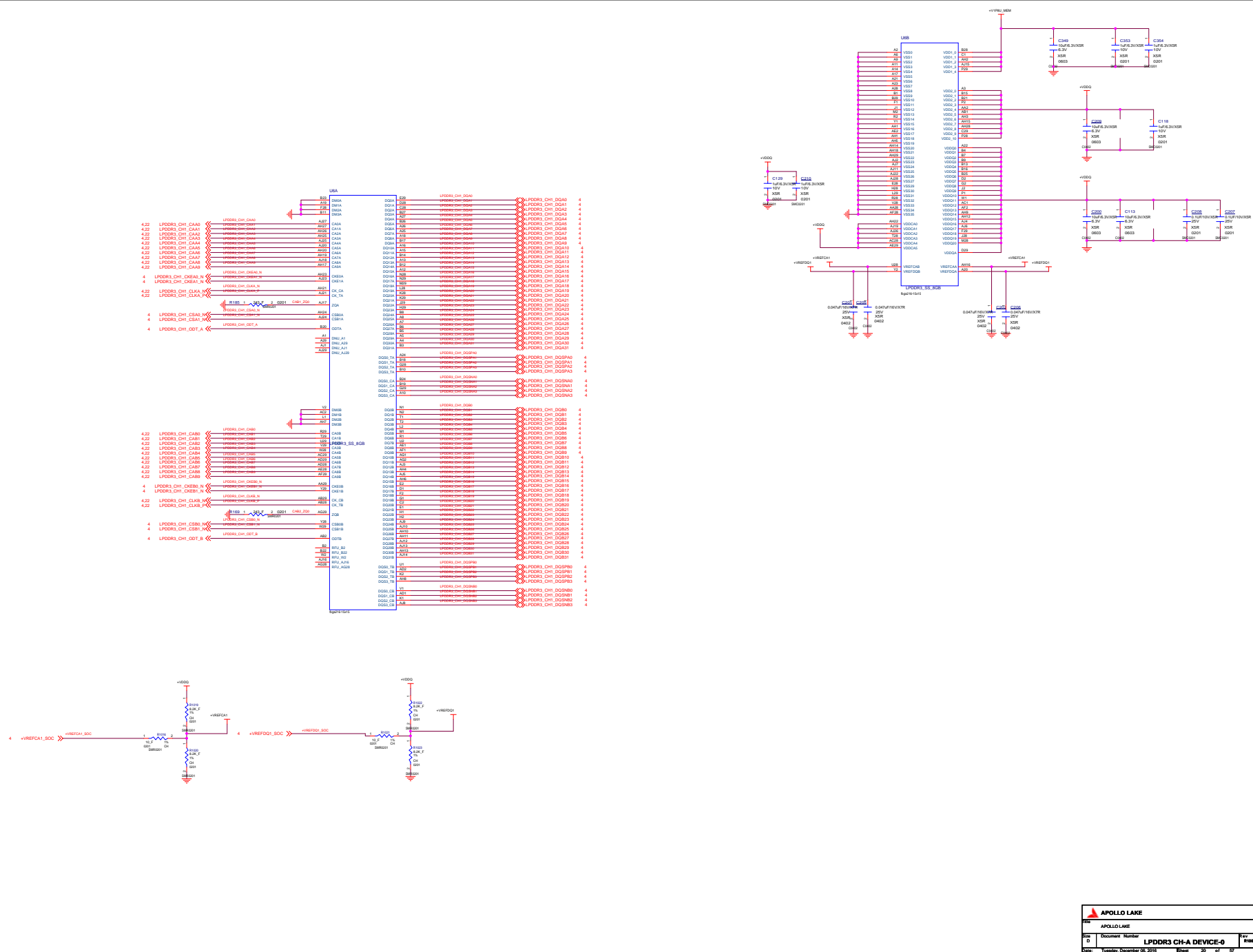
BLANK

 APOLLO LAKE			
Title APOLLO LAKE			
Size	Document	Number	Rev
Custom	SKYLAKE SOC (GND)		R100
Date:	Tuesday, December 06, 2016		Sheet 16 of 57

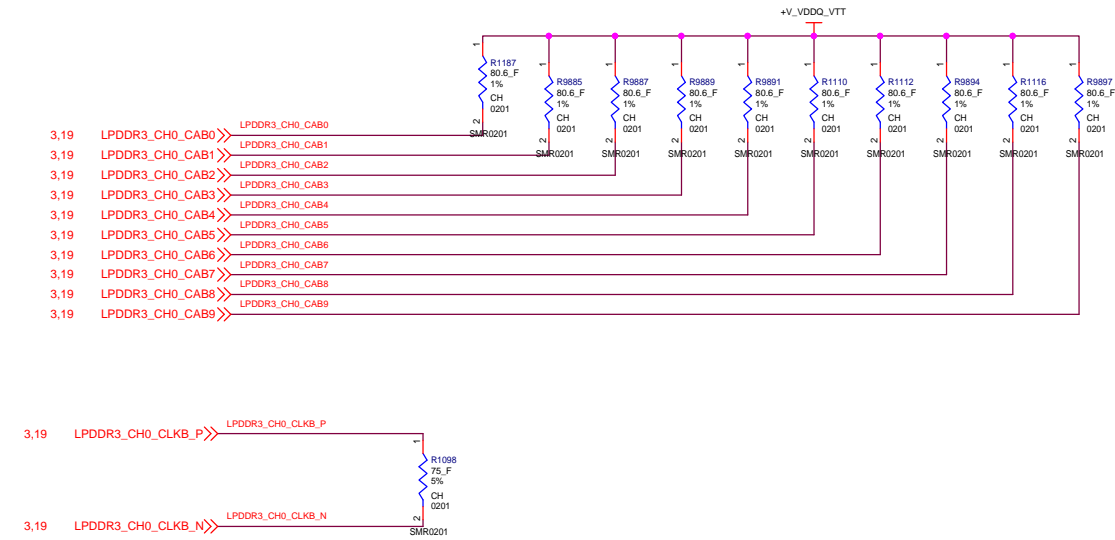
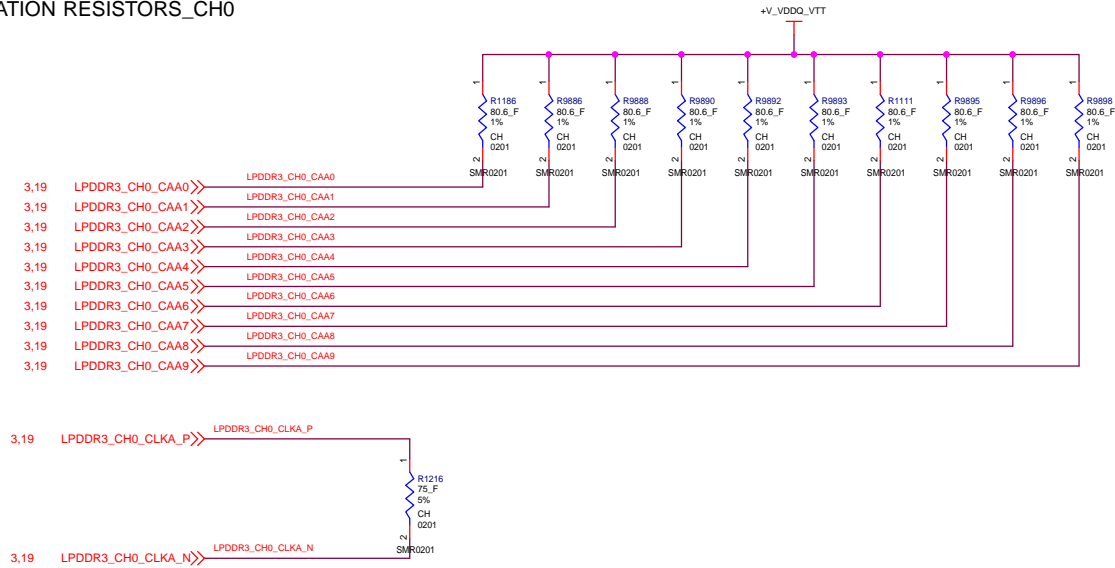


Title			
APOLLO LAKE			
Size	Document Number	Rev	
Custom	SKYLAKE SOC (DECOUPLING)	R100	
Date:	Tuesday, December 06, 2016	Sheet	17 of 57



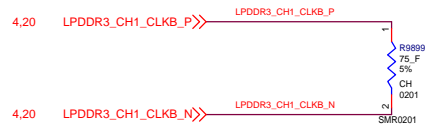
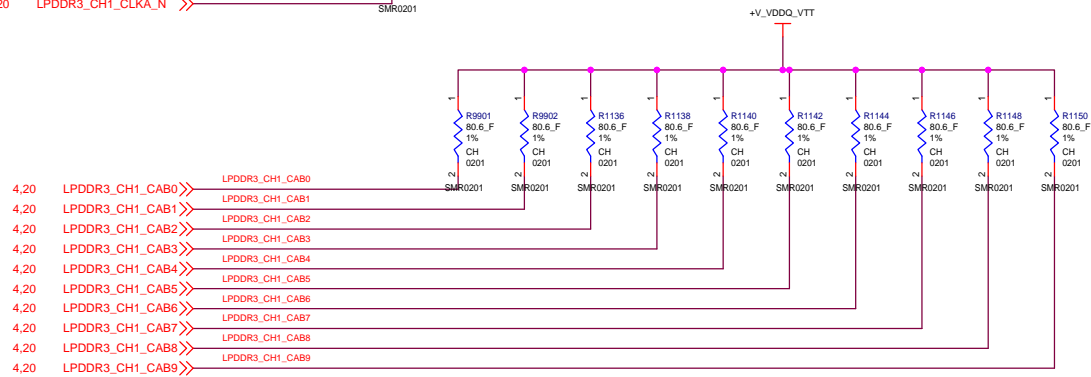
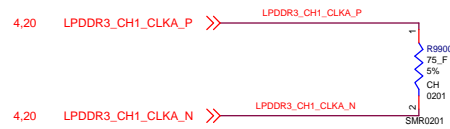
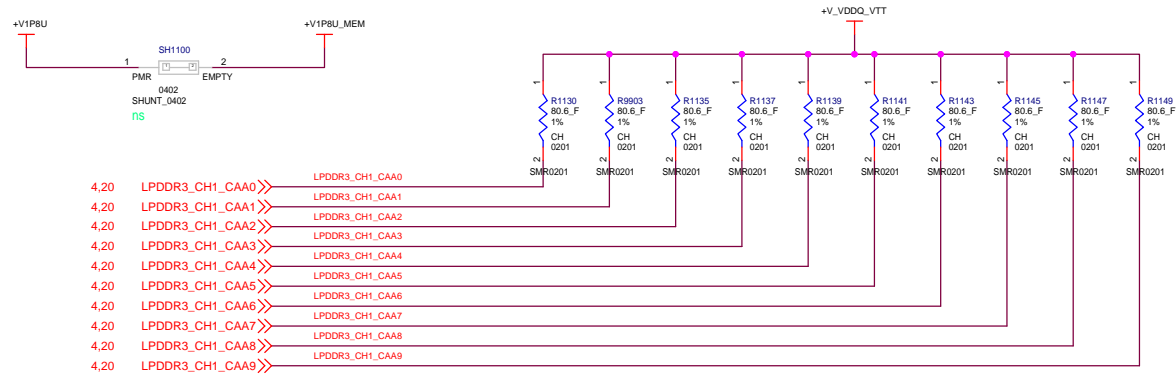


LPDDR3L-RS TERMINATION RESISTORS_CH0

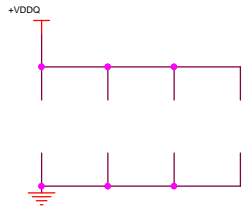
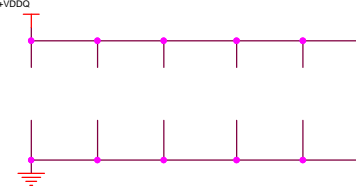
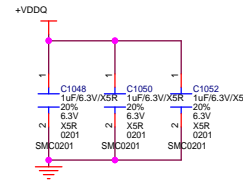
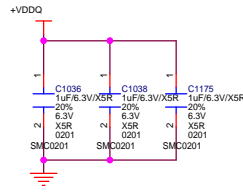
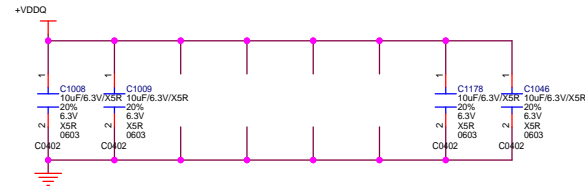
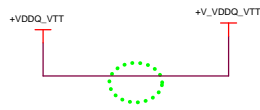


Title APOLLO LAKE			
Size Custom	Document Number LPDDR3 CH-A DEVICE-1		Rev R100
Date: Tuesday, December 06, 2016	Sheet 21	of 57	

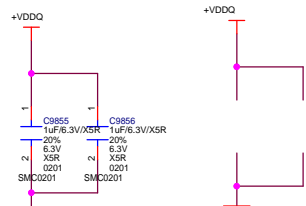
LPDDR3L-RS TERMINATION RESISTORS_CH1



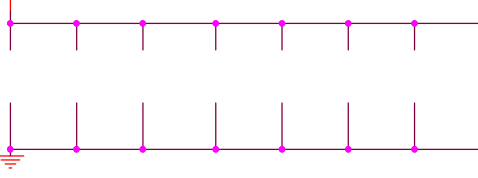
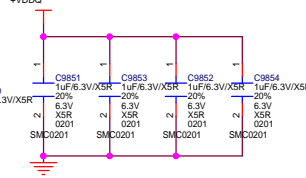
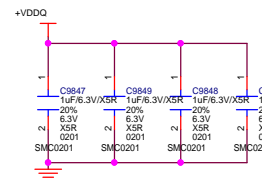
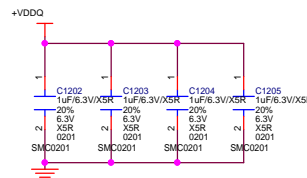
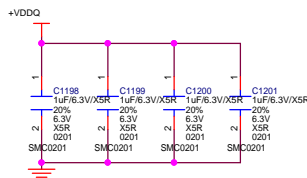
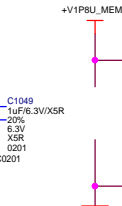
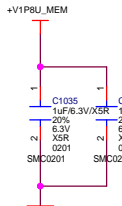
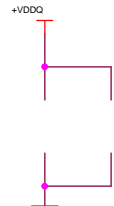
Title APOLLO LAKE			
Size Custom	Document Number LPDDR3 CH-A DEVICE-1		Rev R100
Date: Tuesday, December 06, 2016	Sheet 22	of 57	



FOUR 0402 IN MID CHANNEL

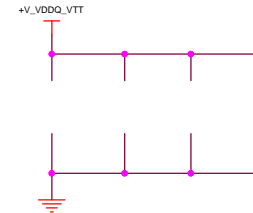
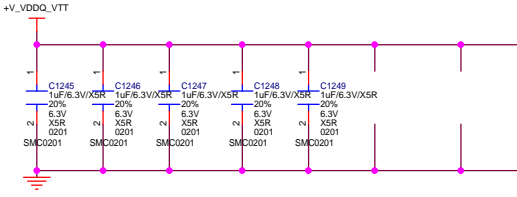
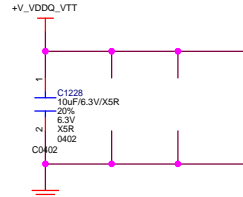
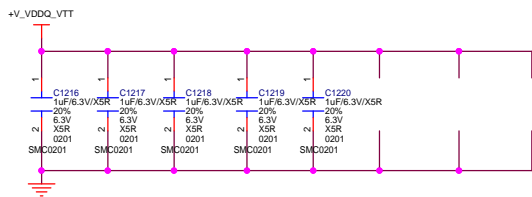


TWO 0402 ON EACH END CHANNEL

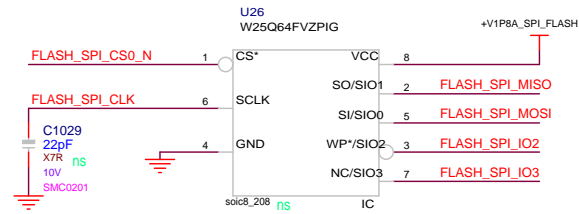
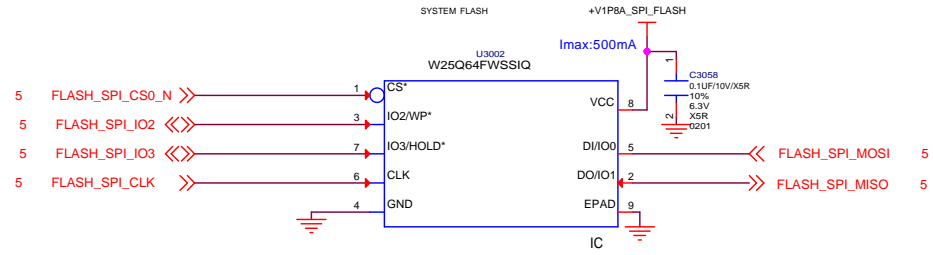
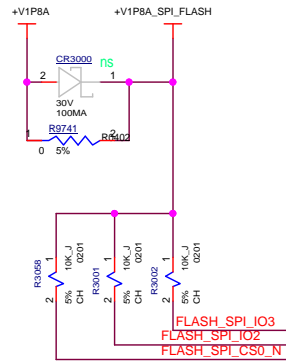


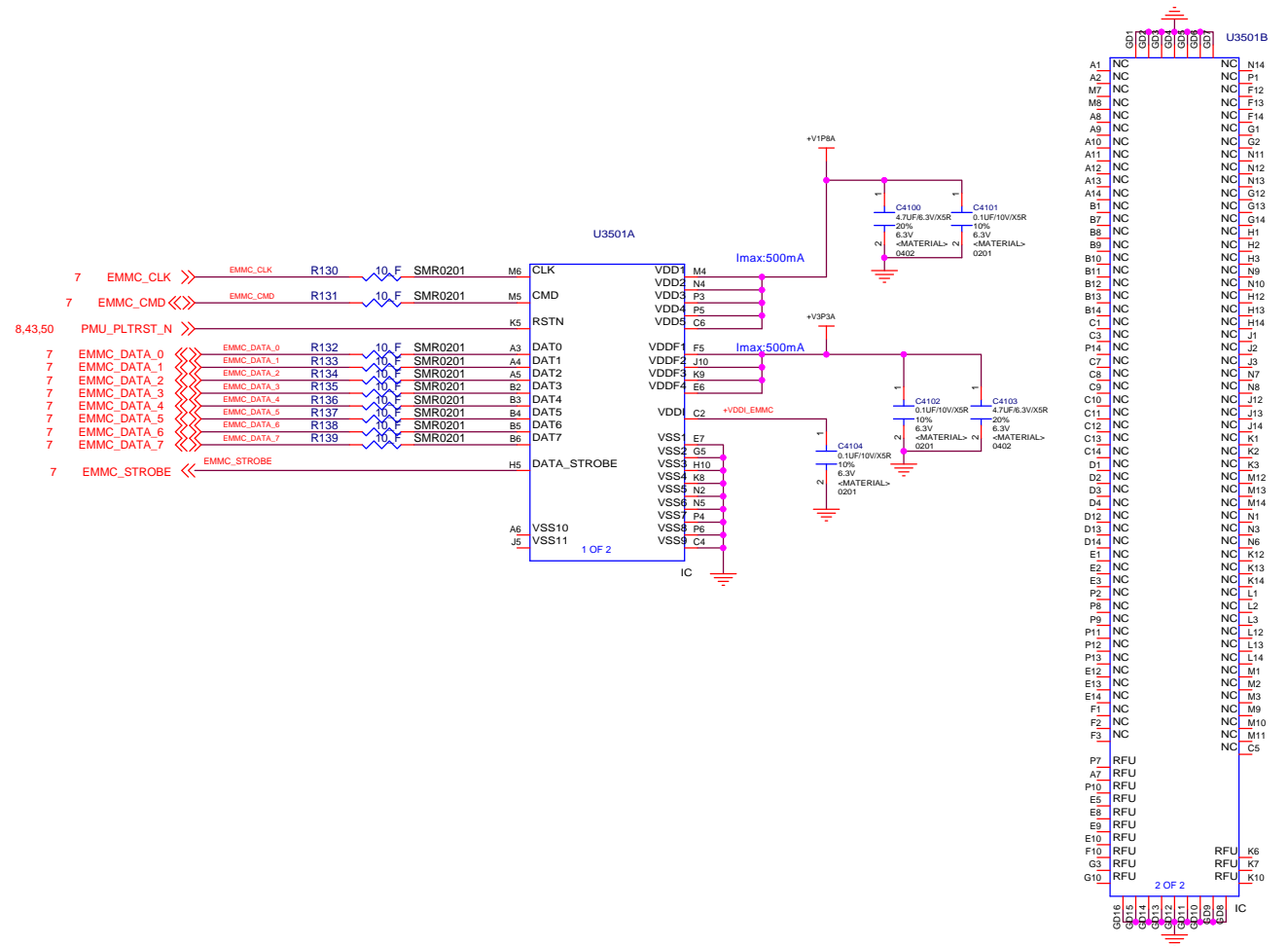
NOTE: PLACE ON TOP - 4 PER DEVICE

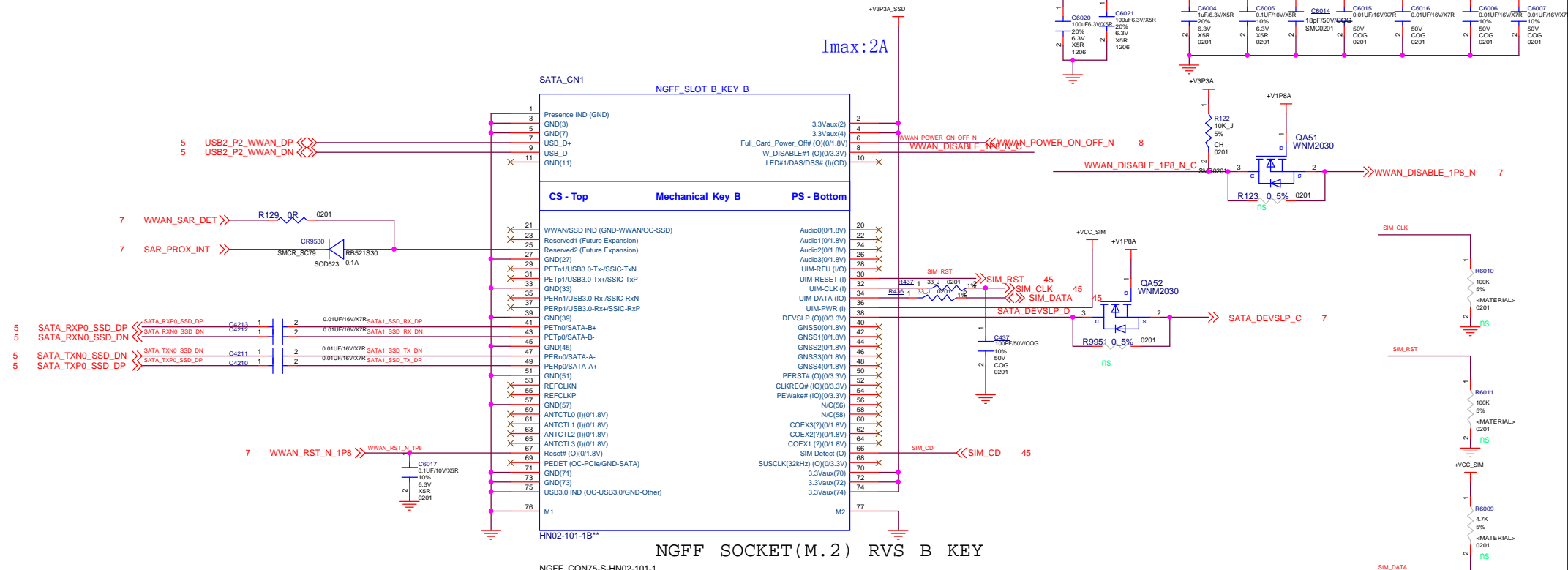
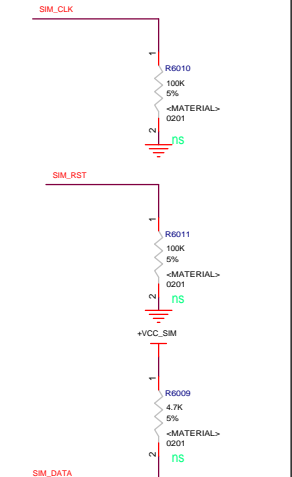
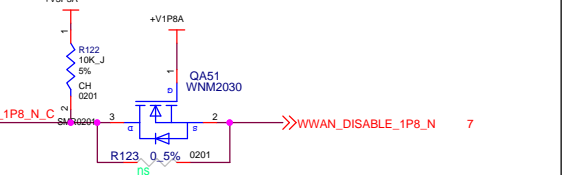
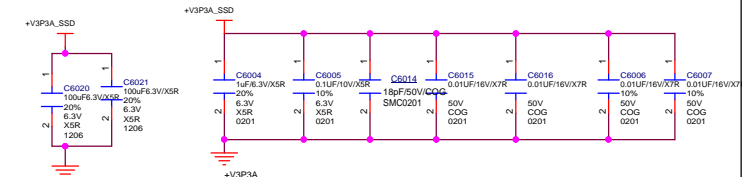
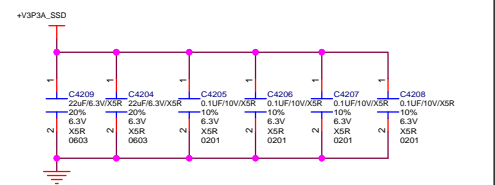
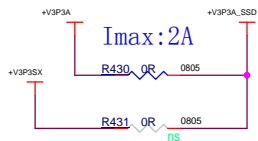
NOTE: PLACE ON TOP - 4 PER DEVICE




Title APOLLO LAKE		
Size Custom	Document Number LPDDR3 DECOUPLING	Rev R100
Date: Tuesday, December 08, 2016	Sheet 23 of 57	

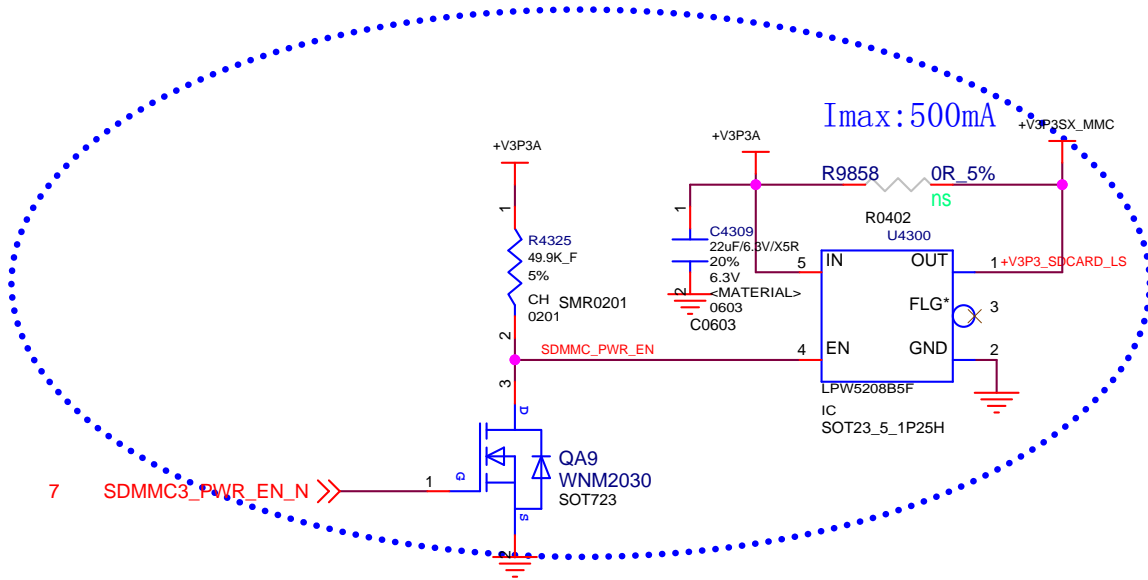







Title APOLLO LAKE			
Size Custom	Document Number SATA SSD MODULE		Rev R100
Date: Tuesday, December 06, 2016	Sheet 26	of 57	

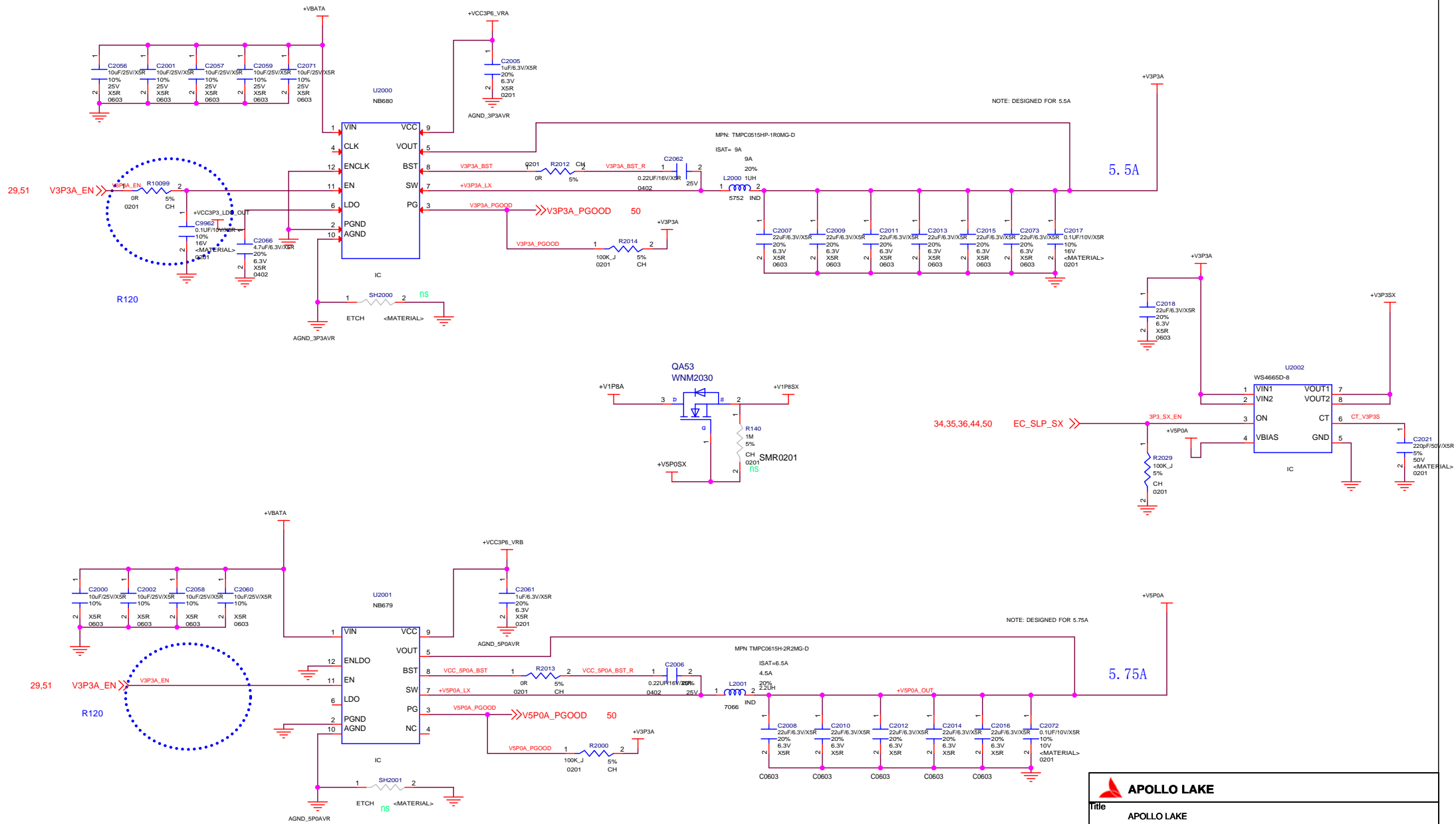
 APOLLO LAKE		
Title APOLLO LAKE		
Size B	Document Number MICRO-SD CARD	Rev R100
Date: Tuesday, December 06, 2016	Sheet 27 of 57	



Imax: 500mA

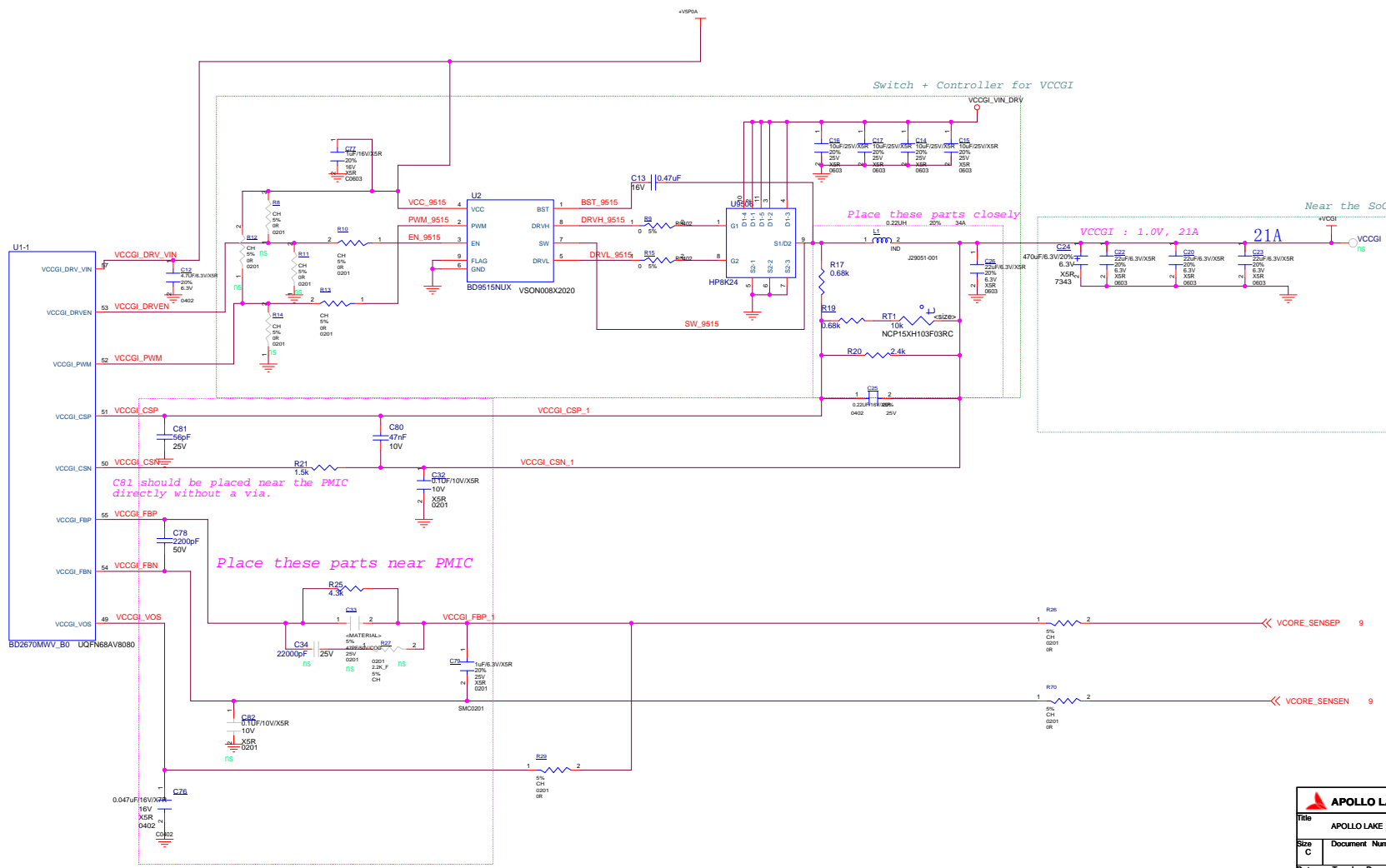
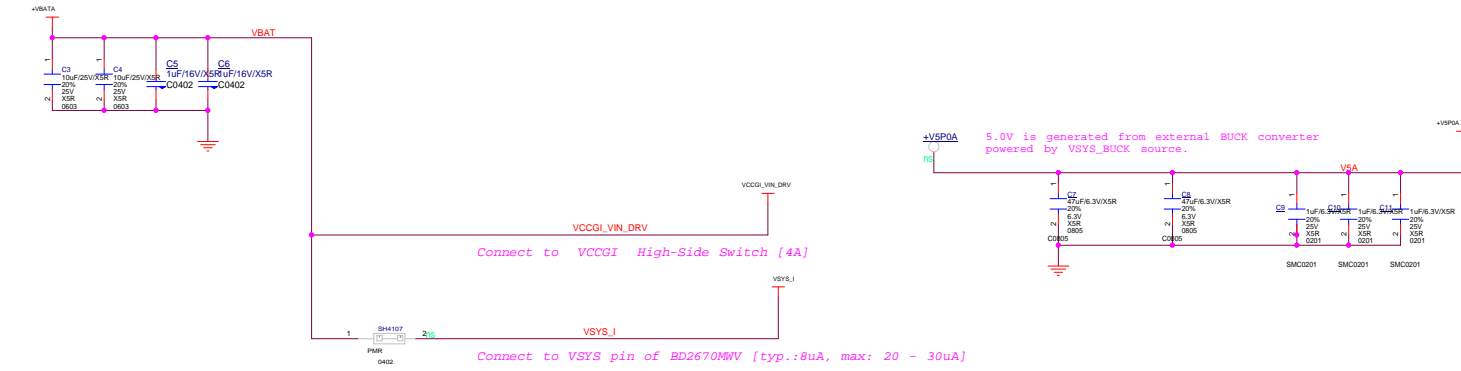
R120
Use USB2.0 transfer to TF , R9858 Install, U4300 NS

 APOLLO LAKE		
Title APOLLO LAKE		
Size A	Document Number SDCARD POWER	Rev R100
Date:	Tuesday, December 06, 2016	Sheet 28 of 57

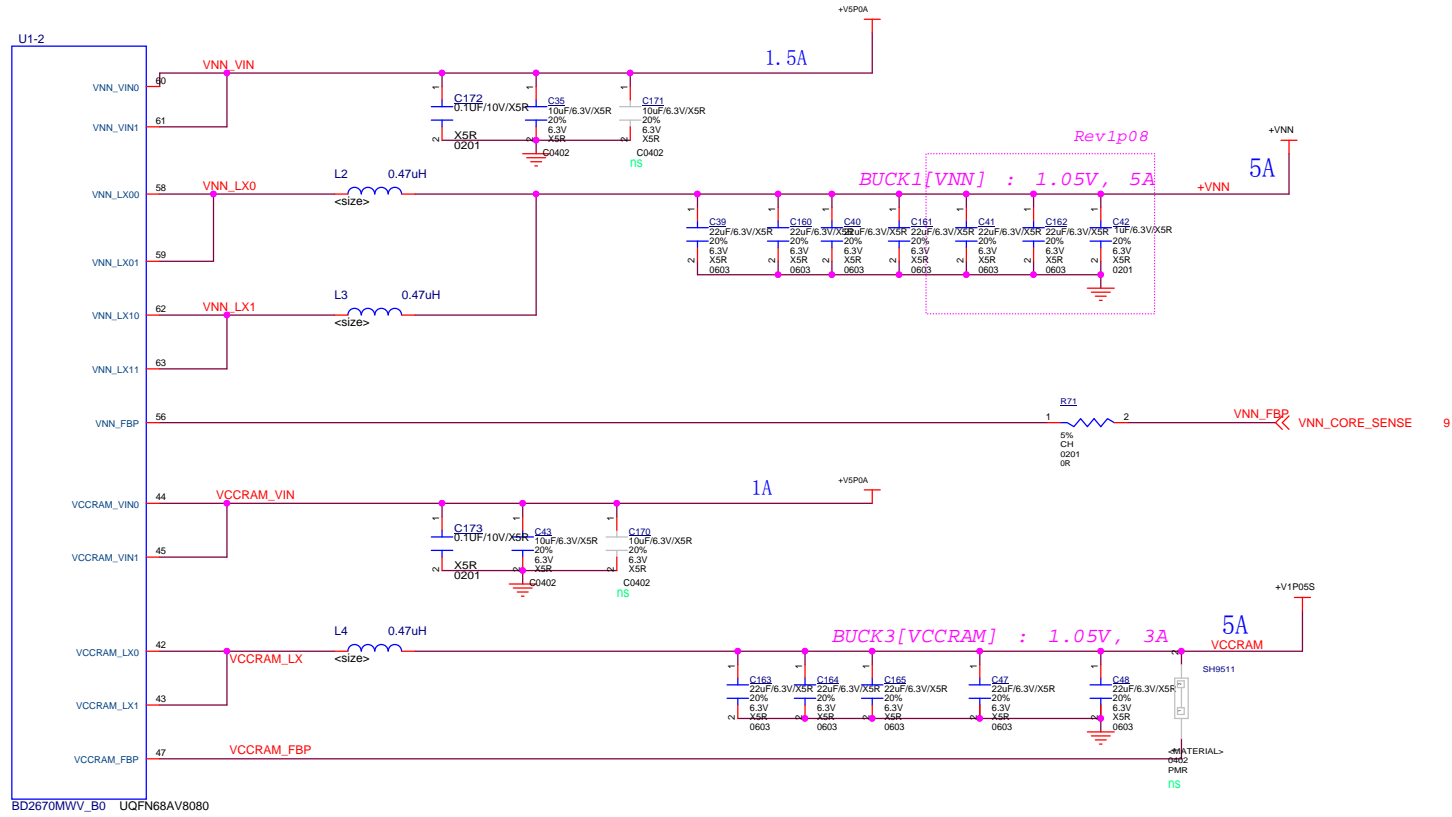


APOLLO LAKE			
Title APOLLO LAKE			
Size Custom	Document Number	Rev R100	
POWER DELIVERY 5V AND 3.3V			
Date: Tuesday, December 06, 2016	Sheet 29	of 57	

2S/3S battery input [5.4V to 21V]

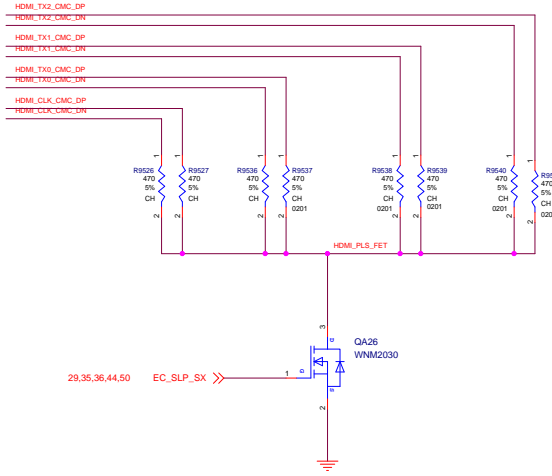
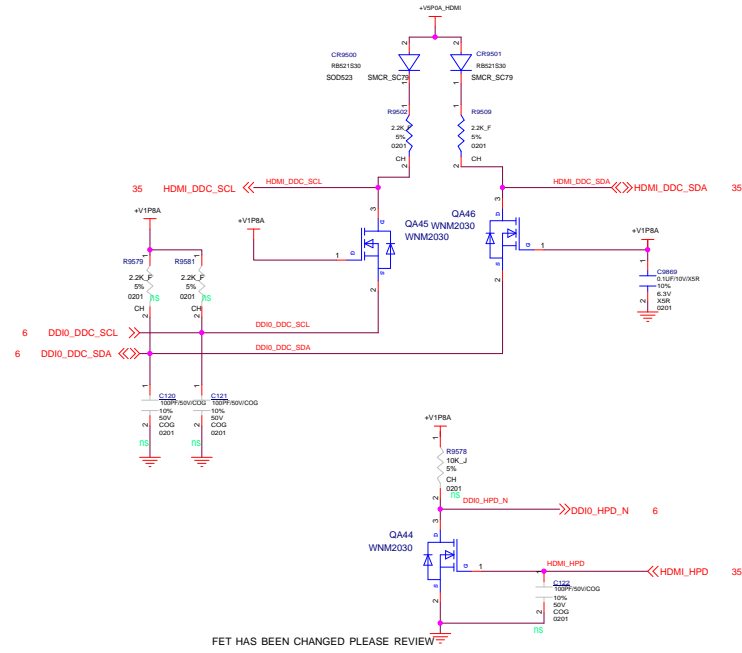
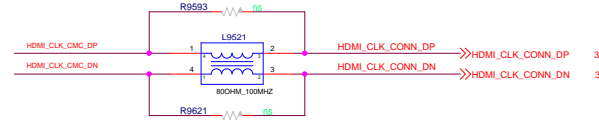
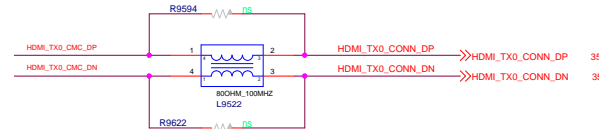
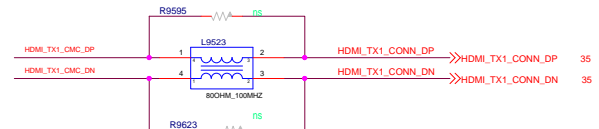
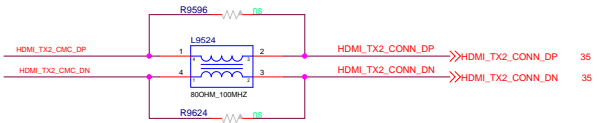
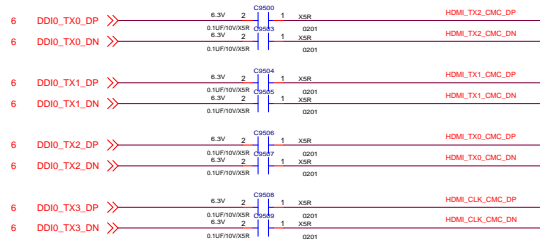


VNN[BUCK1], VCCRAM[BUCK3]

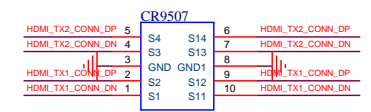
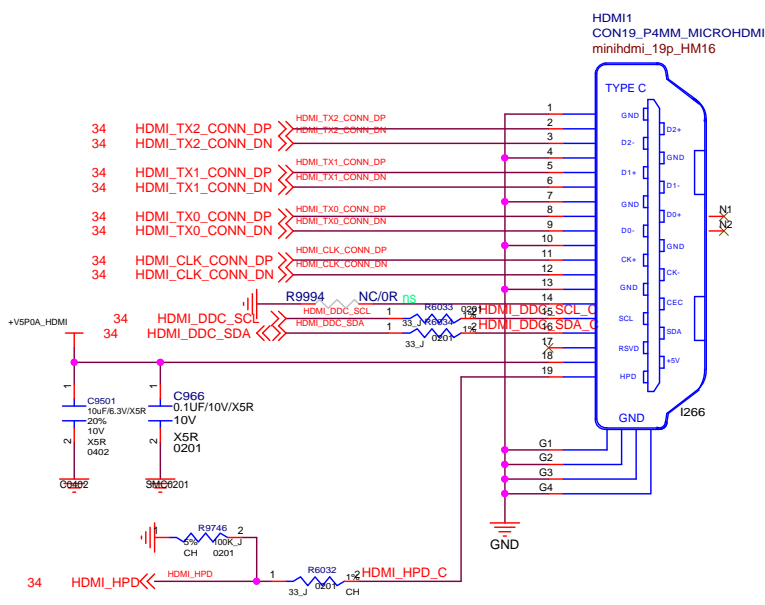
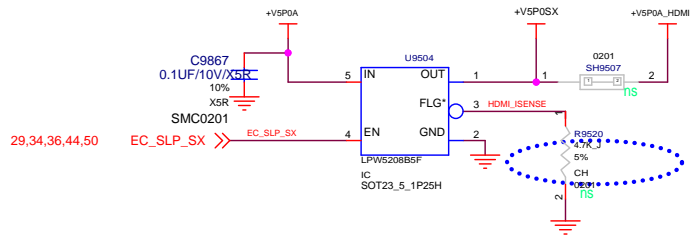


Title: APOLLO LAKE			
Size: Custom	Document Number: POWER DELIVERY-IMVP2	Rev: R100	
Date: Tuesday, December 06, 2016	Sheet: 31	of 57	

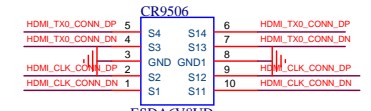
HDMI LEVEL SHIFTERS & CONNECTOR



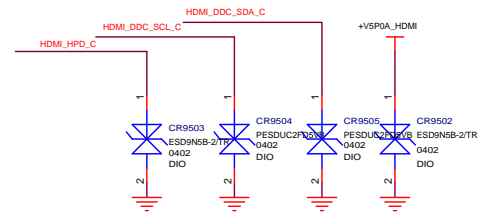
FET HAS BEEN CHANGED PLEASE REVIEW



ESDA6V8UD
SLP2510P8



ESDA6V8UD
SLP2510P8

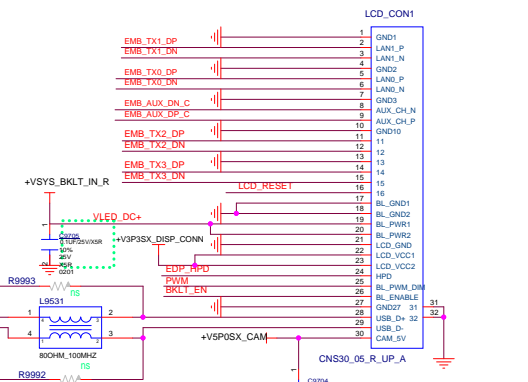
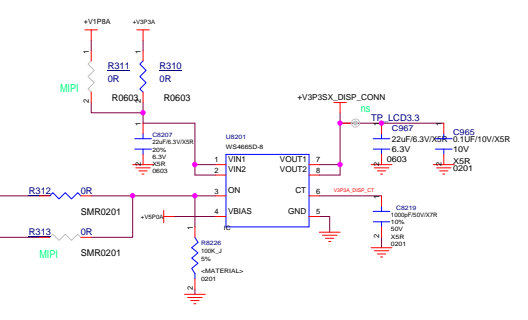
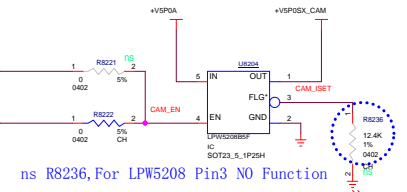
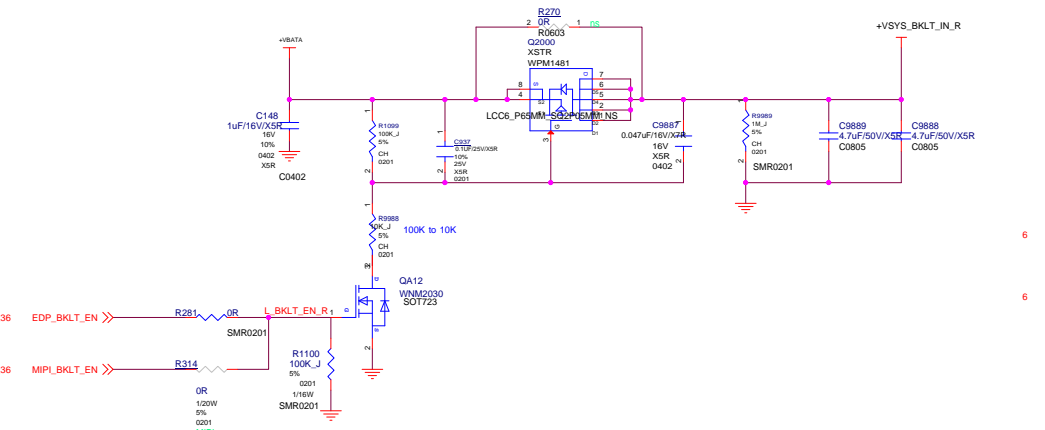
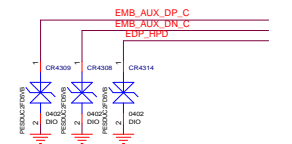
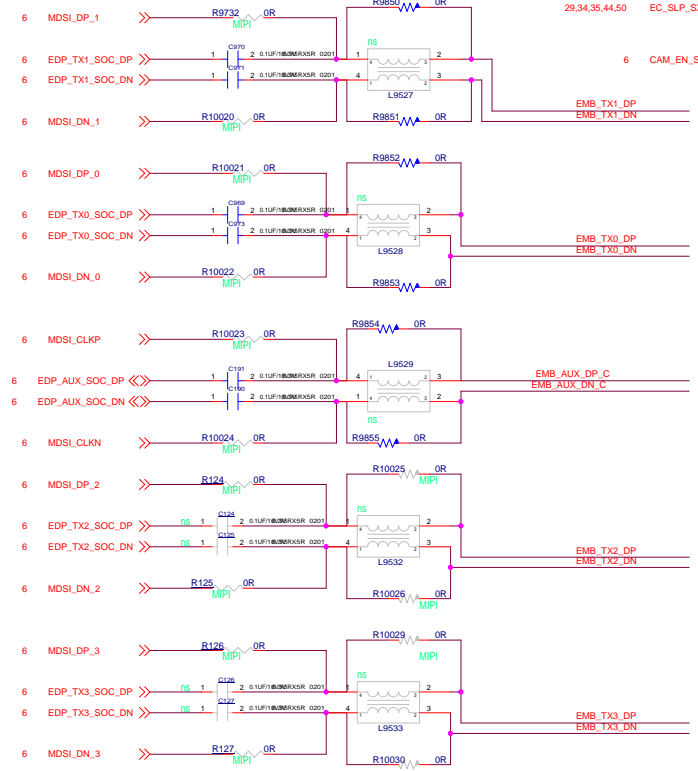


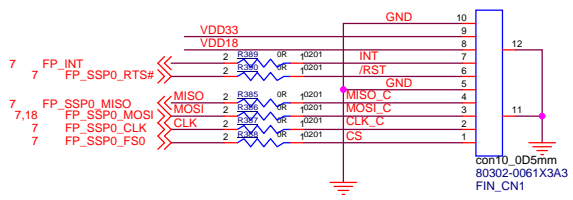
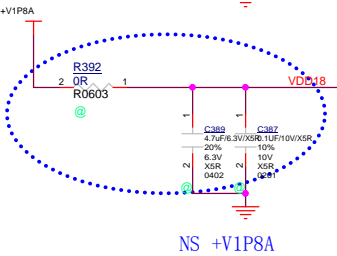
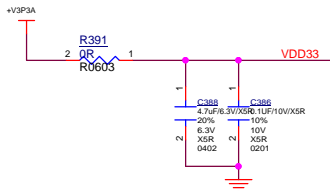
Title APOLLO LAKE		
Size B	Document Number HDMI CONNECTOR	Rev R100
Date: Tuesday, December 06, 2016	Sheet 35	of 57


T65	EDP_HPD
T66	EMB_AUX_DP_C
T67	EMB_AUX_DN_C
T72	EMB_TX1_DP
T73	EMB_TX1_DN
T74	EMB_TX0_DP
T75	EMB_TX0_DN

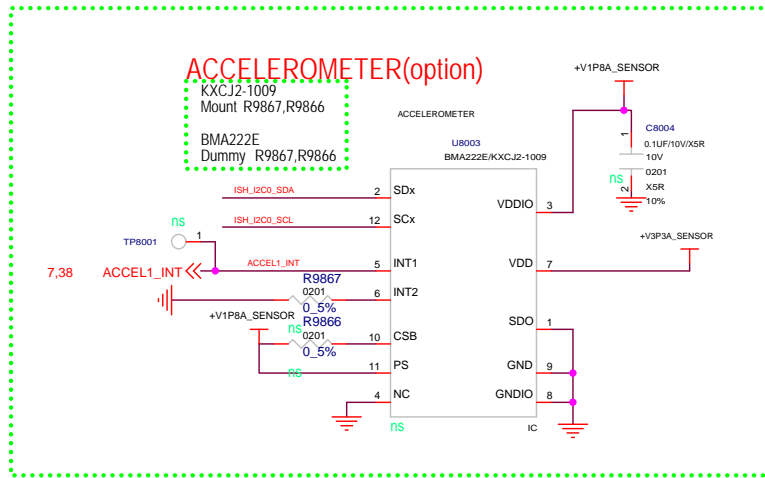
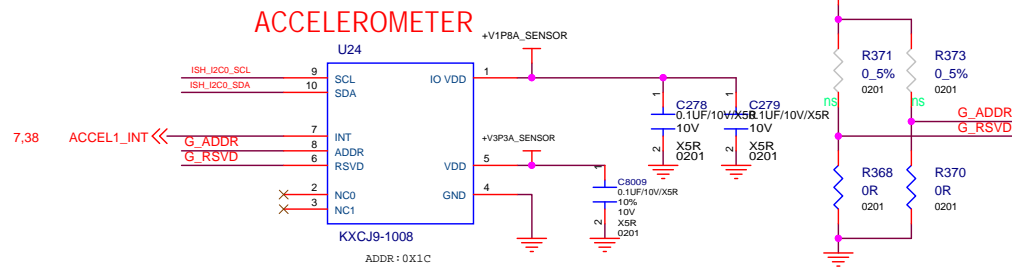
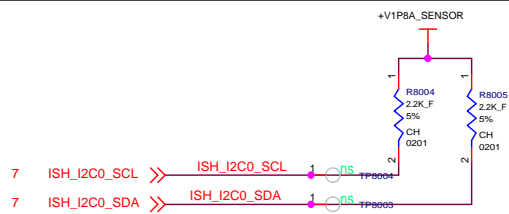
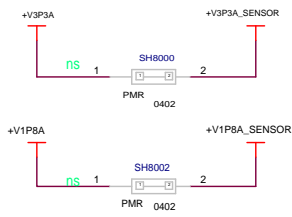
EMB_TX1_DP	S14	S4	EMB_TX1_DP
EMB_TX1_DN	S13	S3	EMB_TX1_DN
EMB_TX0_DP	S12	S2	EMB_TX0_DP
EMB_TX0_DN	S11	S1	EMB_TX0_DN

EMB_TX2_DP	S14	S4	EMB_TX2_DP
EMB_TX2_DN	S13	S3	EMB_TX2_DN
EMB_TX1_DP	S12	S2	EMB_TX1_DP
EMB_TX1_DN	S11	S1	EMB_TX1_DN

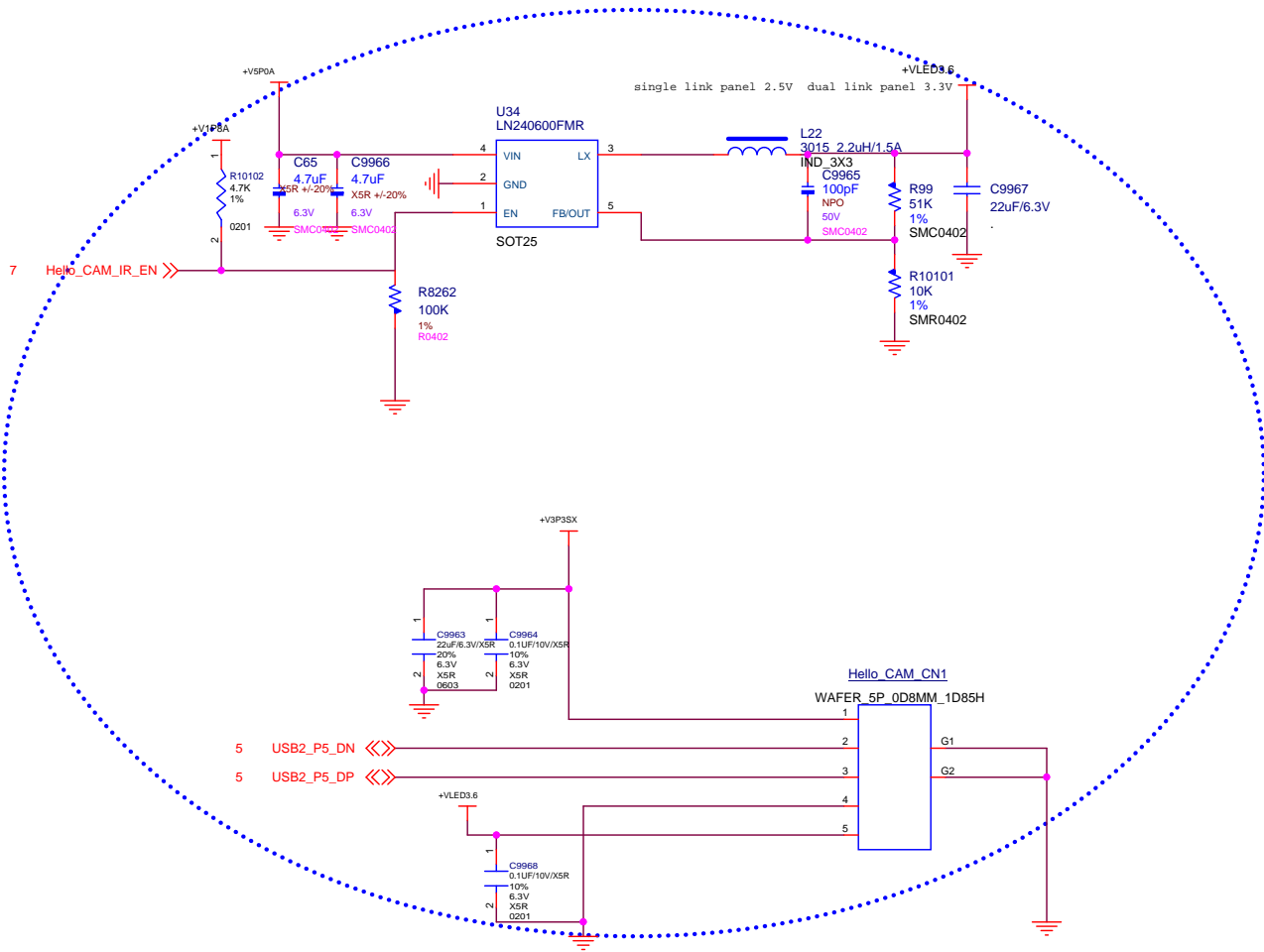





 APOLLO LAKE			
Title: APOLLO LAKE			
Size: Custom	Document Number: TOUCH PANEL AND DOCK		Rev: R100
Date: Tuesday, December 06, 2016	Sheet: 37	of: 57	





Title		
APOLLO LAKE		
Size	Document Number	Rev
B	SENSORS	R100
Date:	Tuesday, December 06, 2016	Sheet 38 of 57

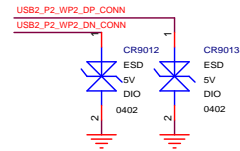
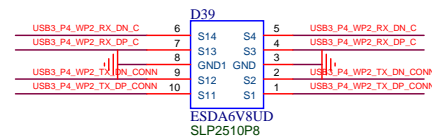
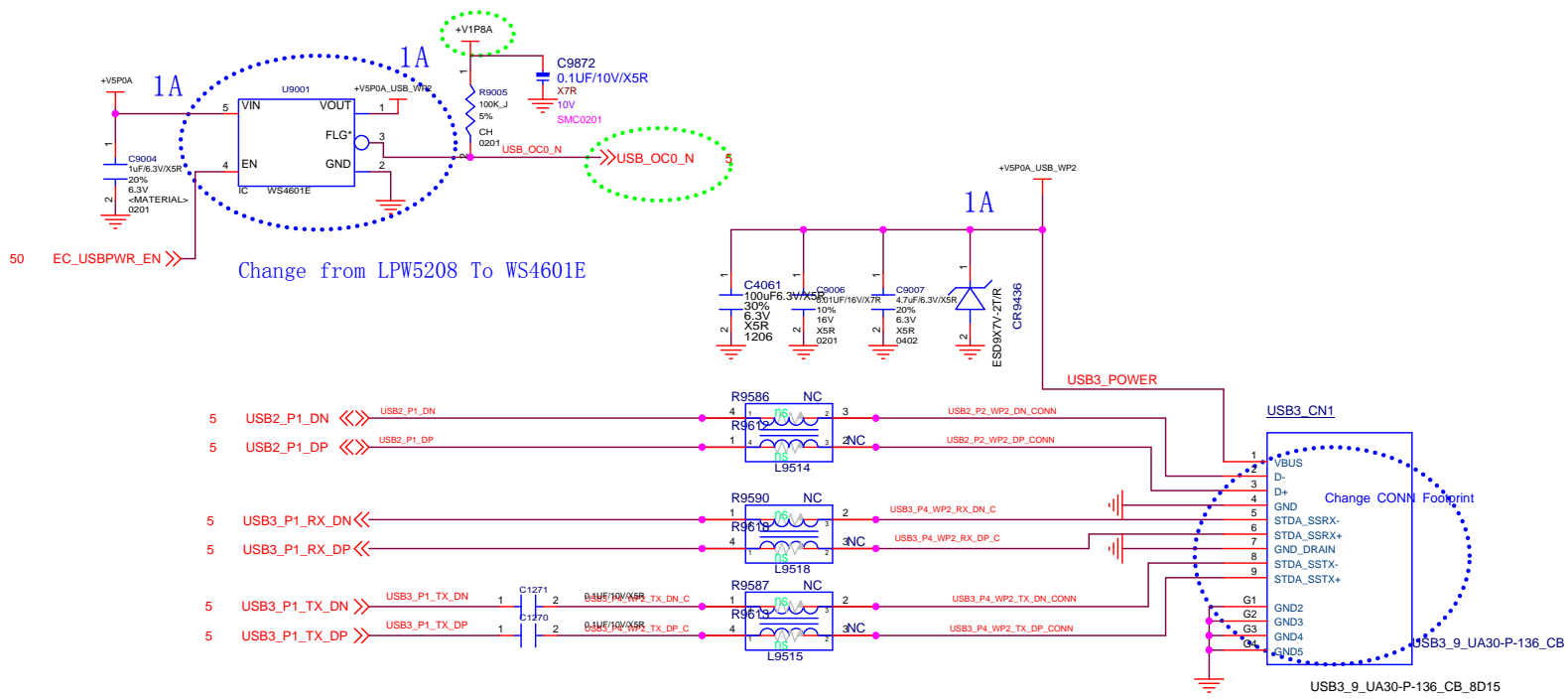


R120
Add Hello CAM

		
Title		
APOLLO LAKE		
Size	Document Number	Rev
B	FRONT AND REAR CAMERA CONN	R100
Date:	Friday, December 09, 2016	Sheet 39 of 57

 APOLLO LAKE		
Title APOLLO LAKE		
Size B	Document Number CAMERA DISCRETE CNTRL LOGIC	Rev R100
Date: Tuesday, December 06, 2016	Sheet 40 of 57	

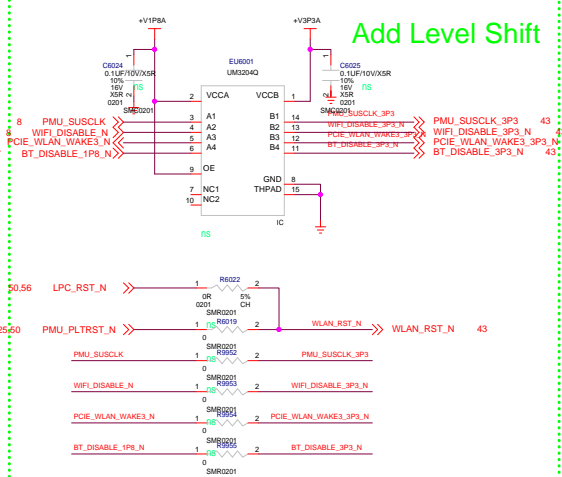
 APOLLO LAKE			
Title			
APOLLO LAKE			
Size	Document	Number	Rev
Custom	COB TP		R100
Date:	Tuesday, December 06, 2016	Sheet	41 of 57



Title		
APOLLO LAKE		
Size	Document Number	Rev
B	USB3.0 CONN	R100
Date:	Tuesday, December 06, 2016	Sheet 42 of 57

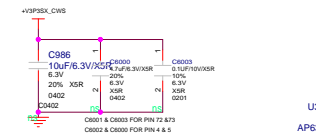
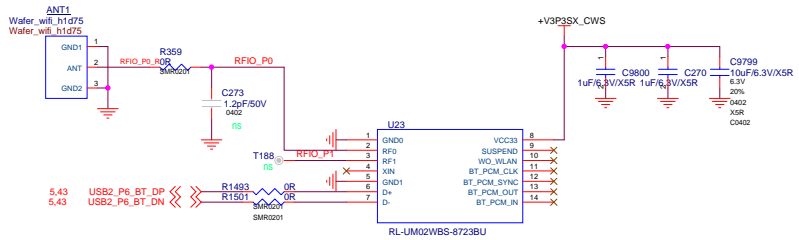


Add Level Shift

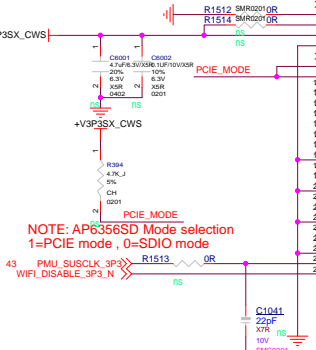


NOTE:
If WiFi interface is SDIO V2.0/3.0, the VIO must be 1.8V.
If selecting PCIe, the VIO must be tied to 3.3V

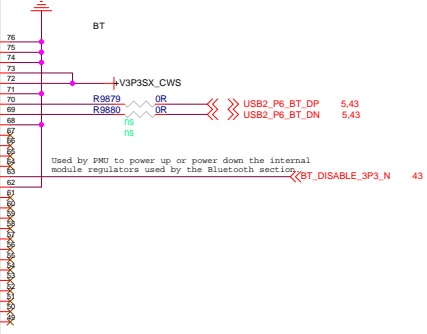
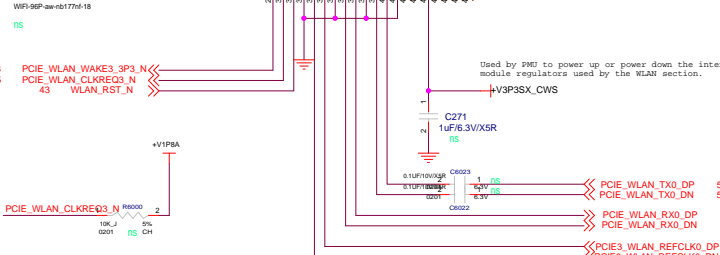
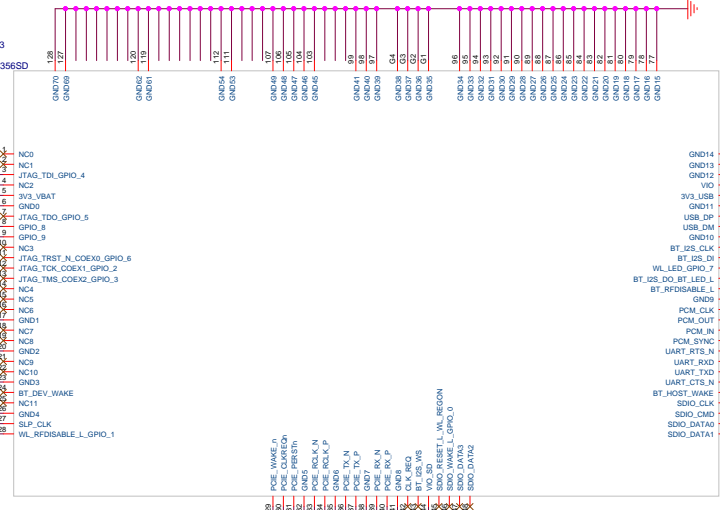
PIN	SDIO	PCIe
GPI08	0	1
GPI09	0	1
VIO	Tie to 1.8V	Tie to 3.3V

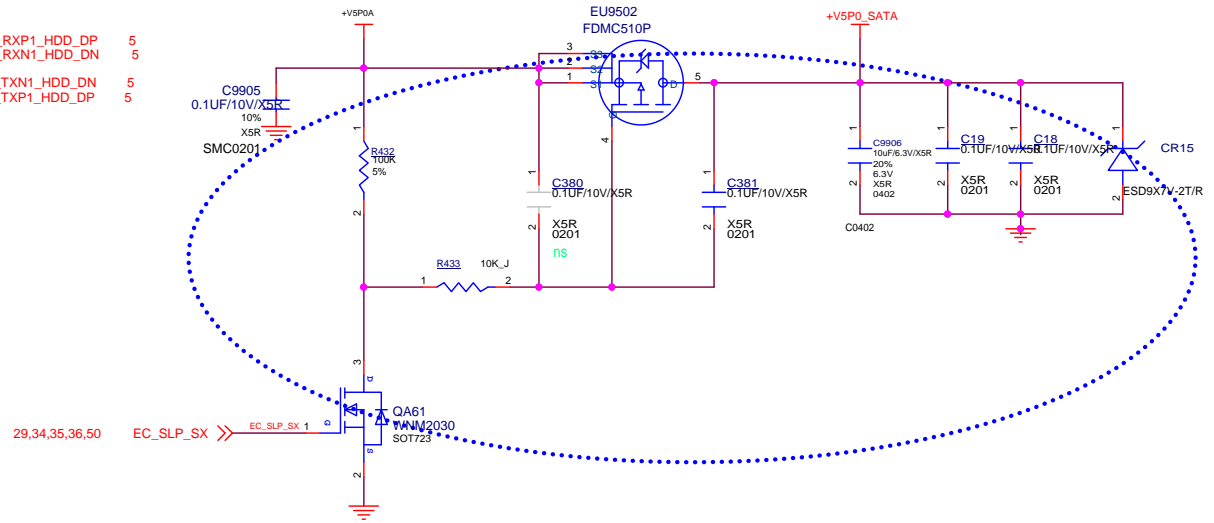
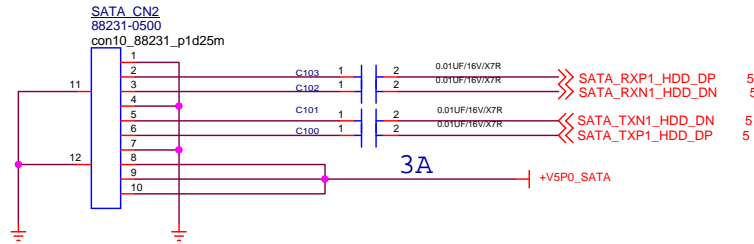


1: SDRAM is present
0: SDRAM is absent (default). Applicable in PCIe HOST mode

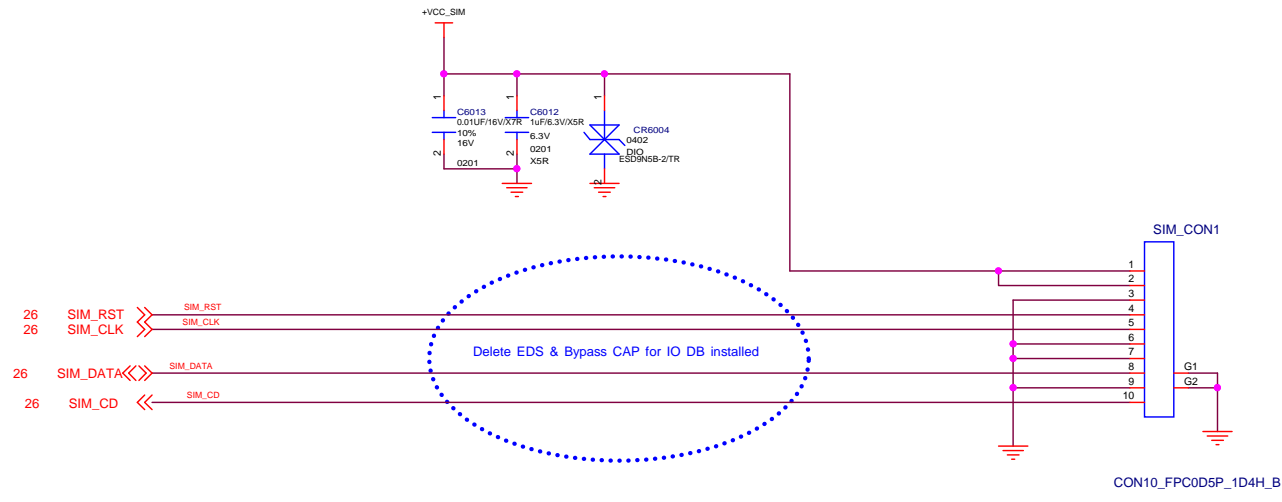



NOTE: AP6356SD Mode selection
1=PCIe mode, 0=SDIO mode

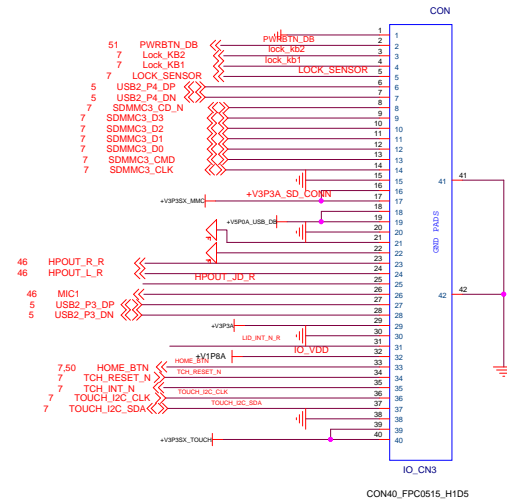
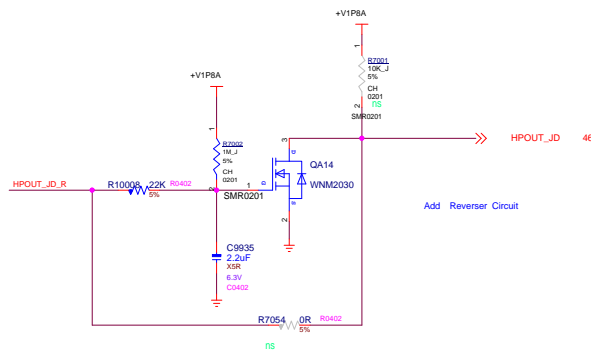
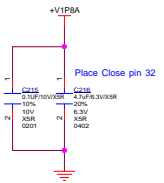
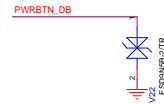
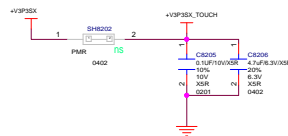
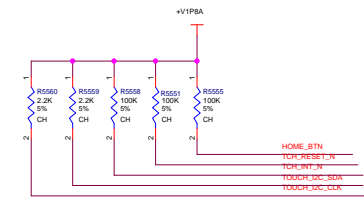
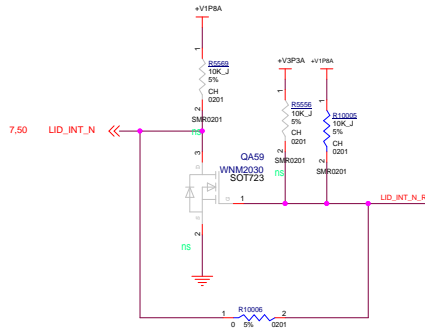
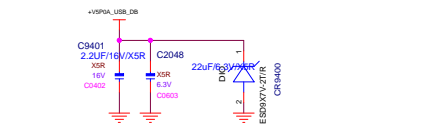
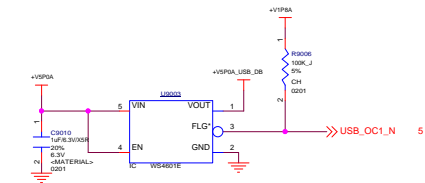
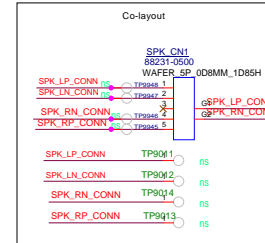
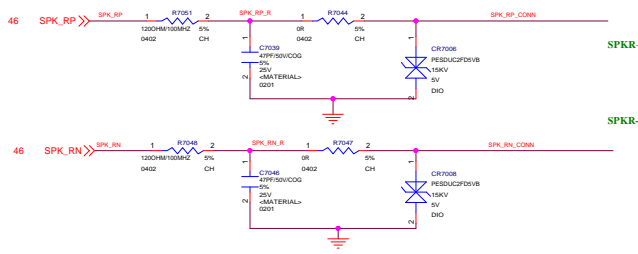
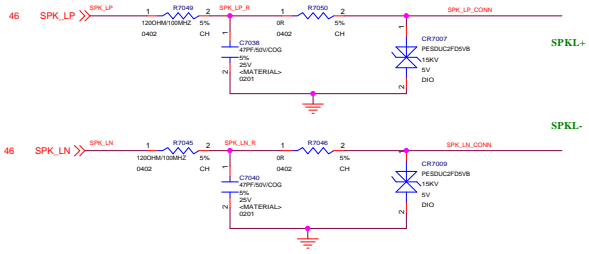




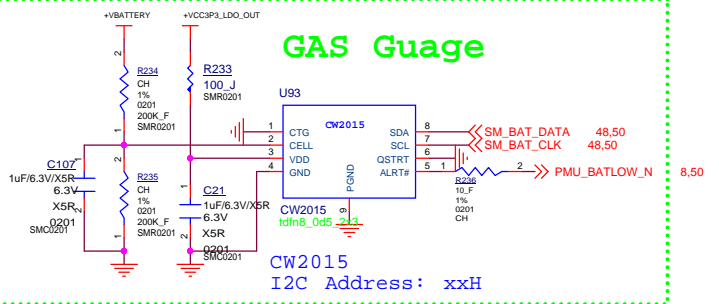
Title		
APOLLO LAKE		
Size	Document Number	Rev
B	WWAN MODULE	R100
Date:	Tuesday, December 06, 2016	Sheet 44 of 57



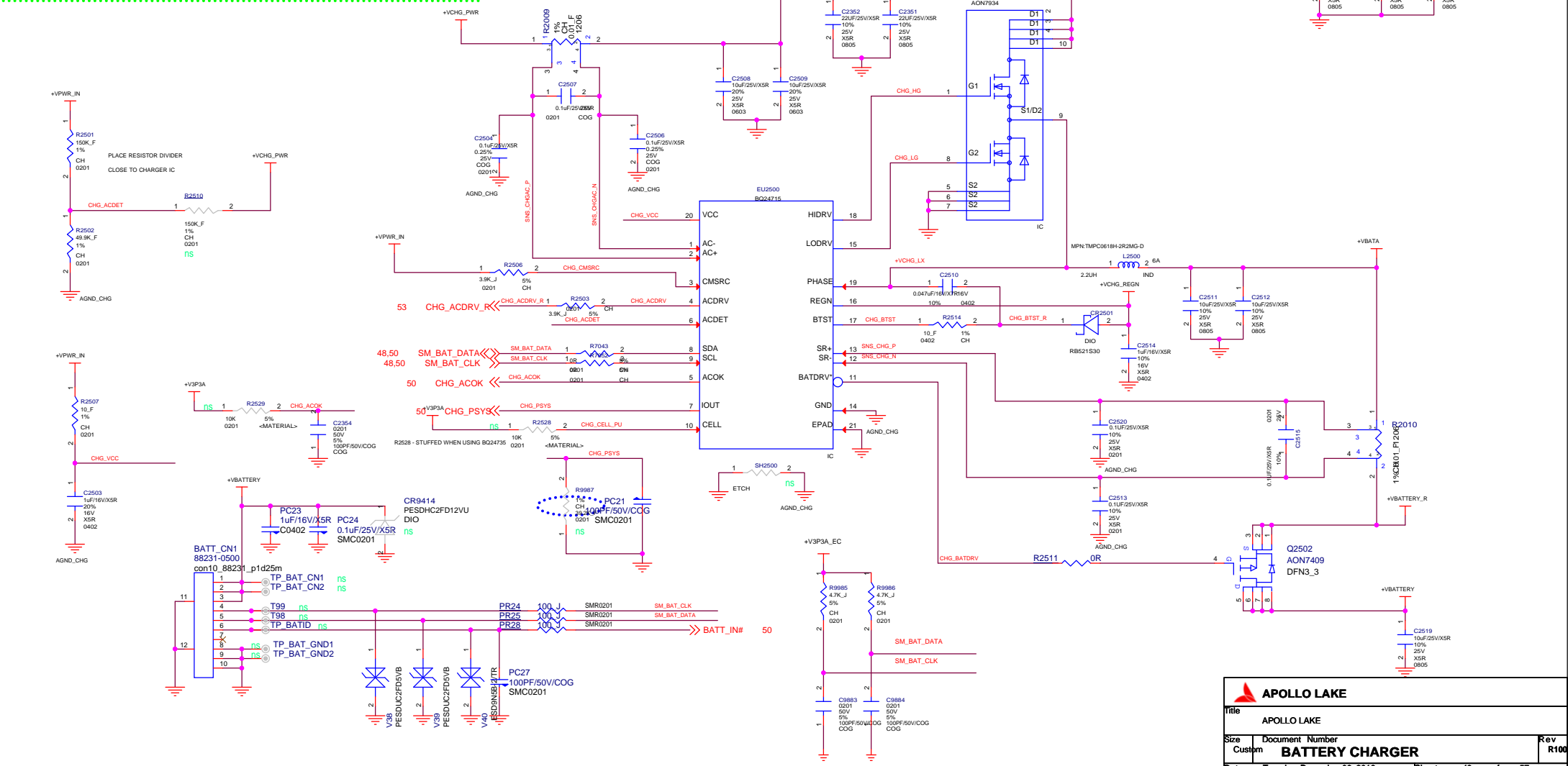
		
Title		
APOLLO LAKE		
Size	Document Number	Rev
B	MICRO SIM	R100
Date:	Tuesday, December 06, 2016	Sheet 45 of 57




GAS Guage

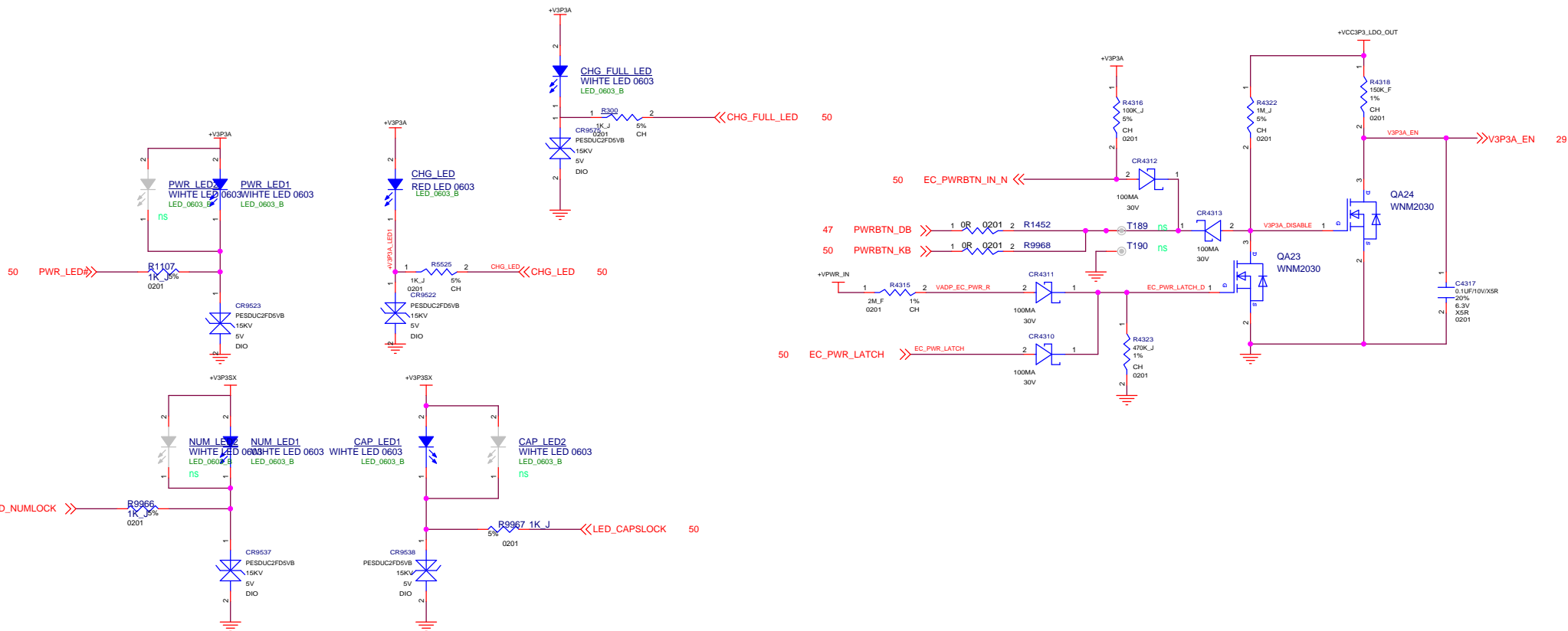



Change SELECT POWER INPUT by Qin 2015.11.11

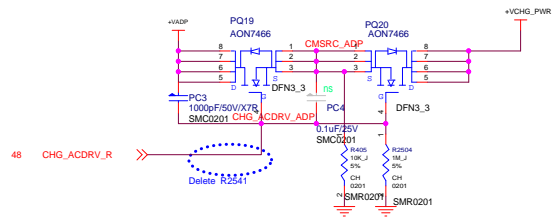
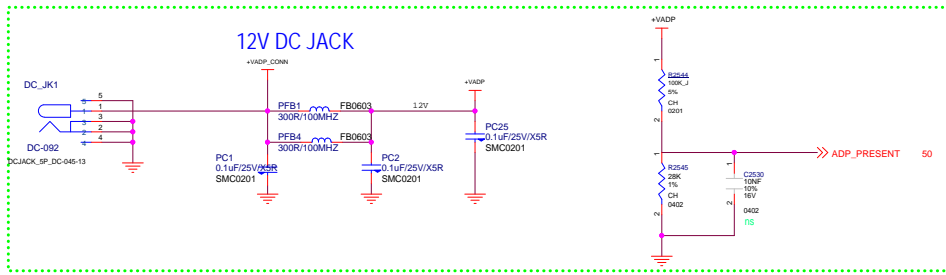


APOLLO LAKE		
Title APOLLO LAKE		
Size Custom	Document Number BATTERY CHARGER	Rev R100
Date: Tuesday, December 06, 2016	Sheet 48 of 57	


 APOLLO LAKE			
Title			
APOLLO LAKE			
Size	Document	Number	Rev
B	DC JACK		R100
Date:	Tuesday, December 06, 2016	Sheet	49 of 57




 APOLLO LAKE		
Title APOLLO LAKE		
Size	Document Number	Rev
Custom	TYPE-C MULTIPLEXER	R100
Date: Tuesday, December 06, 2016		
Sheet 52 of 57		

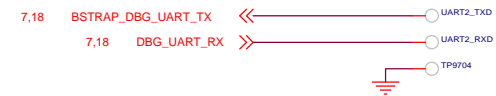
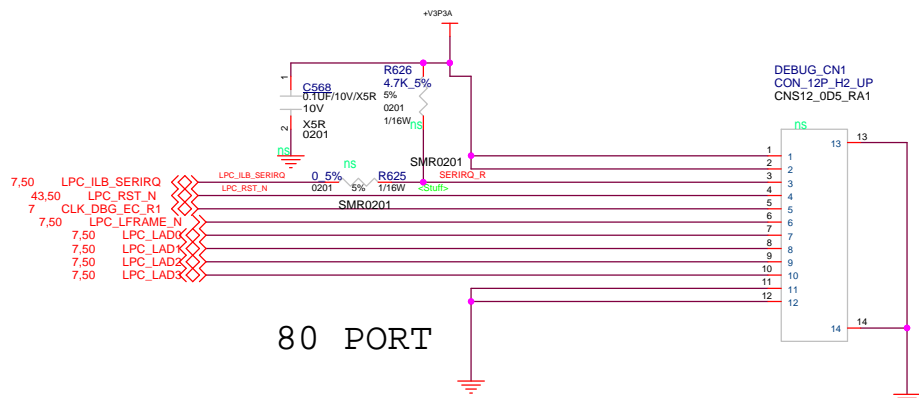



BLANK

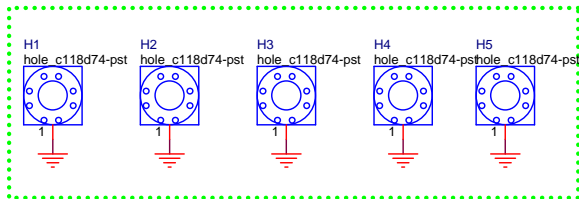
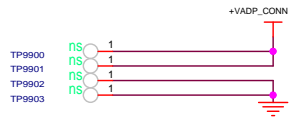
 APOLLO LAKE			
Title APOLLO LAKE			
Size	Document	Number	Rev
Custom		XX	R100
Date:	Tuesday, December 06, 2016	Sheet 54	of 57

BLANK

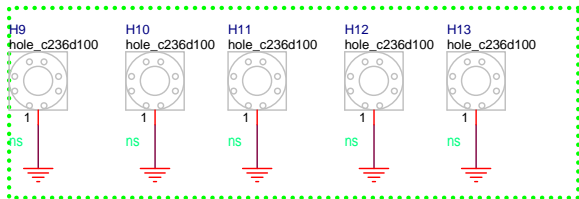
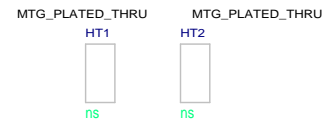
 APOLLO LAKE			
Title			
APOLLO LAKE			
Size	Document Number		Rev
Custom	TYPE-C CONNECTOR		R100
Date:	Tuesday, December 06, 2016	Sheet	55 of 57



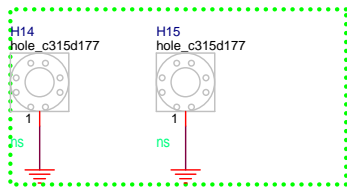
 APOLLO LAKE			
Title: APOLLO LAKE			
Size	Document Number	Rev	
Custom	DEBUG	R100	
Date:	Tuesday, December 06, 2016	Sheet	56 of 57




For Thermal



For ME



For ME

 APOLLO LAKE		
Title APOLLO LAKE		
Size B	Document Number FACTORY TEST POINTS	Rev R100
Date: Tuesday, December 06, 2016	Sheet 57	of 57