

# Qilive



## Refrigerator Q.6638

- FR Réfrigérateur
- ES Frigorífico
- PT Frigorífico
- PL Lodówka
- HU Hűtőszekrény
- RO Frigider
- RU Холодильник
- UA Холодильник

<b>EN</b>	<b>User manual</b>	P. 5
<b>FR</b>	<b>Manuel d'utilisation</b>	P. 26
<b>ES</b>	<b>Manual de instrucciones</b>	P. 50
<b>PT</b>	<b>Manual de utilização</b>	P. 74
<b>PL</b>	<b>Instrukcja obsługi</b>	S. 95
<b>HU</b>	<b>Használati utasítás</b>	117. o.
<b>RO</b>	<b>Manual de instrucțiuni</b>	P. 137
<b>RU</b>	<b>Руководство пользователя</b>	C. 158
<b>UA</b>	<b>Довідник користувача</b>	C. 182

EN

FR

ES

PT

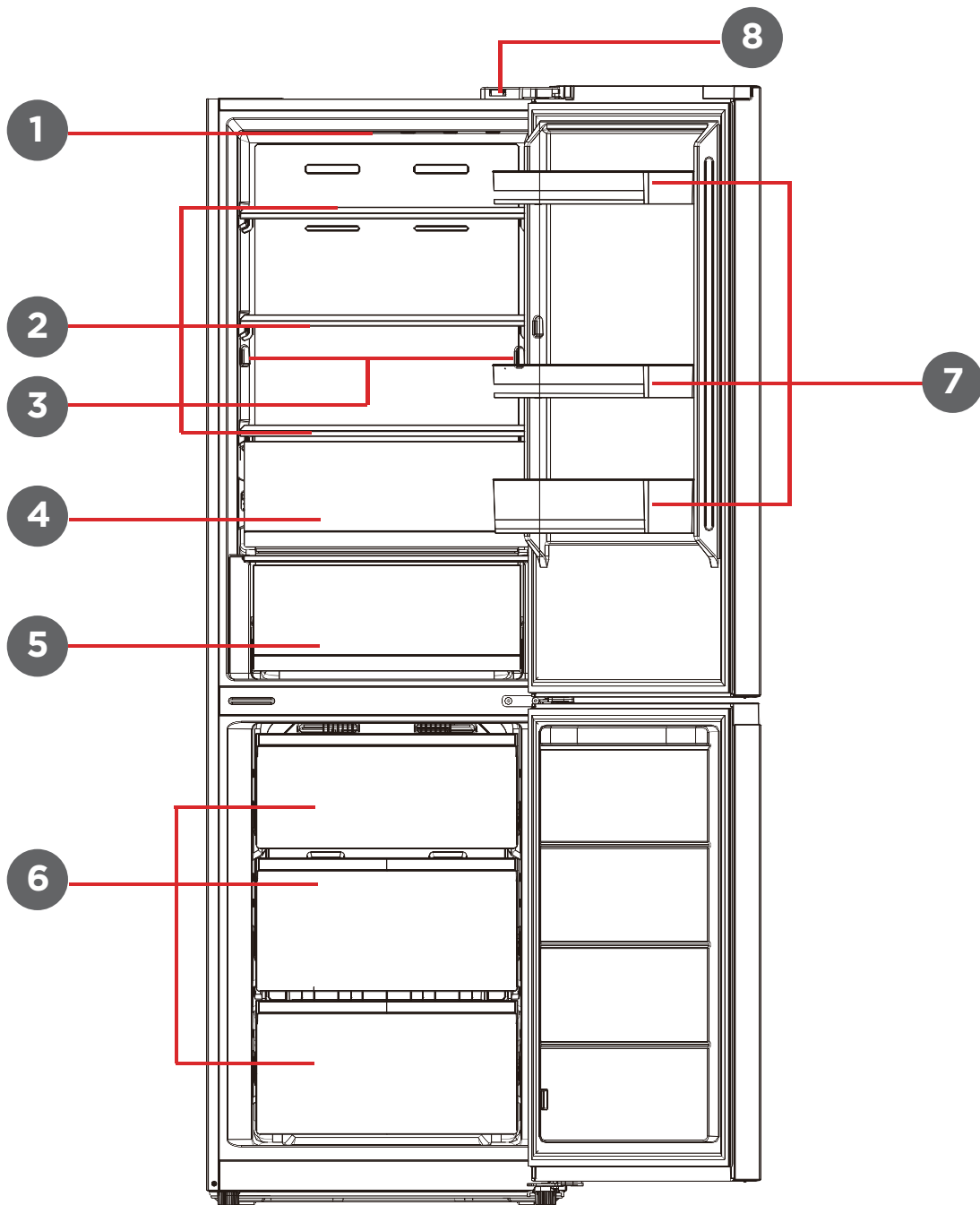
PL

HU

RO

RU

UA



EN

FR

ES

PT

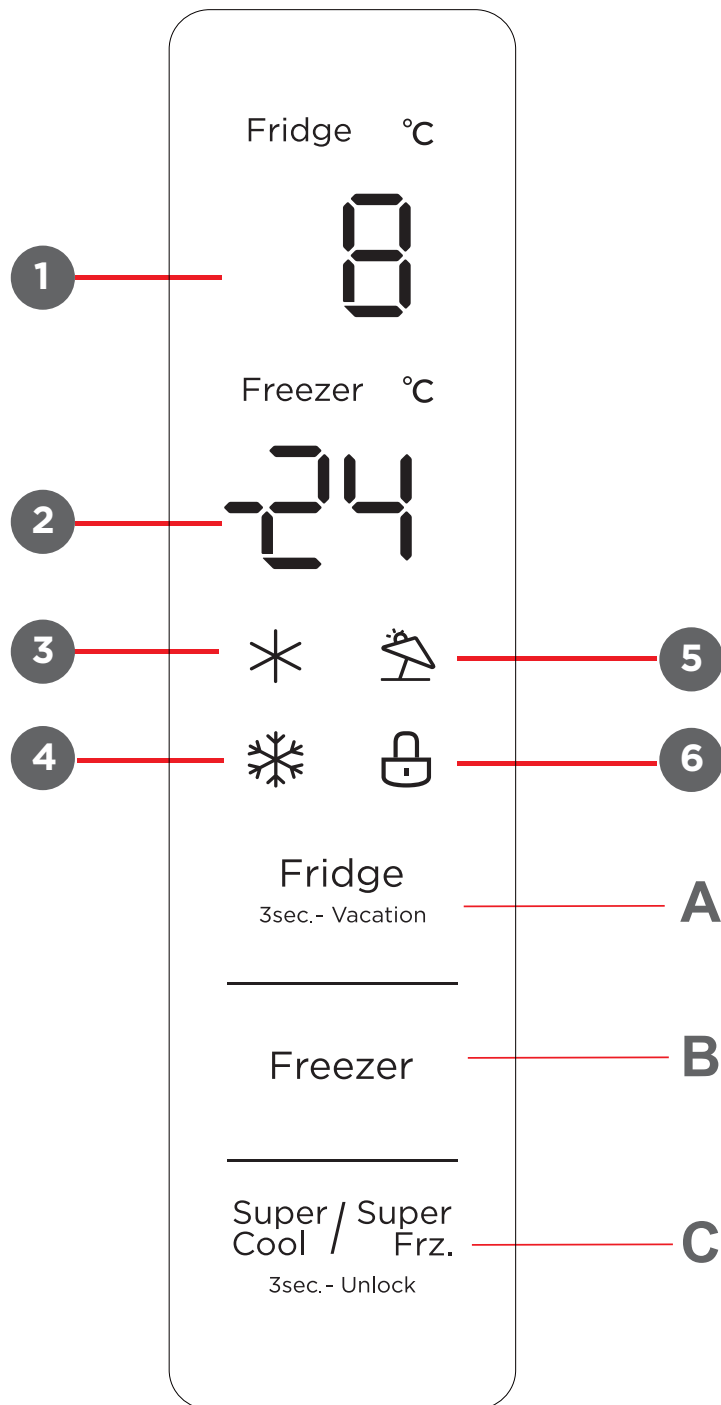
PL

HU

RO

RU

UA



# CONTENT OVERVIEW:

1. SAFETY INSTRUCTIONS	P. 5
2. TECHNICAL SPECIFICATIONS	P. 10
3. PRODUCT DESCRIPTION	P. 10
4. INSTALLATION	P. 11
5. USE	P. 16
6. MAINTENANCE AND CLEANING	P. 19
7. TROUBLESHOOTING	P. 21
8. GUARANTEES	P. 24

## 1. SAFETY INSTRUCTIONS

Before using this product, carefully read these instructions and keep the user manual for future reference.

### 1.1. WARNING



Warning: Risk of fire/flammable materials!

1. This appliance is intended to be used in household and similar applications such as staff kitchen areas in shops, offices and other working environments; farm houses and by clients in hotels, motels and other residential type environments; bed and breakfast type environments; catering and similar non-retail applications.
2. If the supply cord is damaged, it must be replaced by the manufacturer, its service agent or similarly qualified persons in order to avoid a hazard.
3. Do not store explosive substances such as aerosol cans with a flammable propellant in this appliance.
4. The appliance has to be unplugged after use and before carrying out user maintenance on the appliance.
5. Warning: Keep ventilation openings, in the appliance enclosure or in the built-in structure, clear of obstruction.
6. Warning: Do not use mechanical devices or other means to accelerate the defrosting process, other than those recommended by the manufacturer.
7. Warning: Do not damage the refrigerant circuit.
8. The refrigerant gas R600a that is contained in the refrigerator is a natural gas. It is not harmful to the environment, but combustible. It is therefore important to transport and install your refrigerator carefully so as not to damage the refrigerant ducts. In the event of a gas leak, avoid contact with nearby flames or fires and ventilate the room.
9. Warning: Do not use electrical appliances inside the food storage compartments of the appliance, unless they are of the type recommended by the manufacturer.
10. Warning: Please abandon the refrigerator according to local regulators for it uses flammable blowing gas and refrigerant.
11. Warning: When positioning the appliance, ensure the supply cord is not trapped or damaged.
12. Warning: Do not locate multiple portable socket-outlets or portable power supplies at the rear of the appliance.
13. Do not use extension cords or ungrounded (2-prong) adapters.

14. Danger: Risk of child entrapment. Before you throw away your old refrigerator or freezer:
  - Take off the doors.
  - Leave the shelves in place so that children may not easily climb inside.
15. The refrigerator must be disconnected from the source of electrical supply before attempting the installation of accessory.
16. Refrigerant and cyclopentane foaming material used for the appliance are flammable. Therefore, when the appliance is scrapped, it shall be kept away from any fire source and be recovered by a special recovering company with corresponding qualification other than be disposed by combustion, so as to prevent damage to the environment or any other harm.
17. The necessity that, for doors or lids fitted with locks and keys, the keys be kept out of the reach of children and not in the vicinity of the refrigerating appliance, in order to prevent children from being locked inside.
18. For EU standard: This appliance can be used by children aged from 8 years and above and persons with reduce physical sensory or mental capabilities or lack of experience and knowledge if they have been given supervision or instruction concerning use of the appliance in a safe way and understand the hazards involved. Children shall not play with the appliance. Cleaning and user maintenance shall not be made by children without supervision. Children aged from 3 to 8 years are allowed to load and unload refrigerating appliances.
19. To avoid contamination of food, please respect the following instructions:
  - Opening the door for long periods can cause a significant increase of the temperature in the compartments of the appliance.
  - Clean regularly surfaces that can come in contact with food and accessible drainage systems.
  - Clean water tanks if they have not been used for 48h; flush the water system connected to a water supply if water has not been drawn for 5 days. (Note 1)
  - Store raw meat and fish in suitable containers in the refrigerator, so that it is not in contact with or drip onto other food.
  - Two-star frozen-food compartments are suitable for storing pre-frozen food, storing or making ice-cream and making ice cubes. (Note 2)
  - One-, two- and three-star compartments are not suitable for the freezing of fresh food. (Note 3)
  - For appliances without a 4-star compartment: This refrigerating appliance is not suitable for freezing foodstuffs. (Note 4)
  - If the refrigerating appliance is left empty for long periods, switch off, defrost, clean, dry, and leave the door open to prevent mould developing within the appliance.
  - Note 1,2,3,4: Please confirm whether it is applicable according to your product compartment type.
20. For a freestanding appliance: This refrigerating appliance is not intended to be used as a built-in appliance.
21. Any replacement or maintenance of the LED lamps is intended to be made by the manufacturer, its service agent or similar qualified person. (See chapter 6.5 for lamp replacement)
22. This product contains a light source of energy efficiency class (G).
23. **WARNING:** To avoid a hazard due to instability of the appliance, it must be fixed in accordance with the instructions.
24. **WARNING:** Connect to potable water supply only. (Suitable for ice making machine)
25. To prevent a child from being entrapped, keep out of reach of children and not in the vicinity of freezer (or refrigerator). (Suitable for products with locks)

## 1.2. MEANING OF SAFETY WARNING SYMBOLS



Prohibition symbol

This is a prohibition symbol. Any incomppliance with instructions marked with this symbol may result in damage to the product or endanger the personal safety of the user.



Warning symbol

This is a warning symbol. It is required to operate in strict observance of instructions marked with this symbol; or otherwise damage to the product or personal injury may be caused.

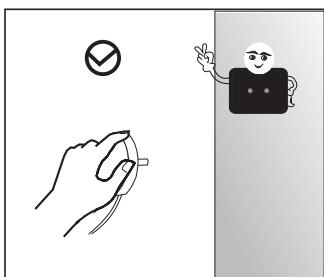


Note symbol

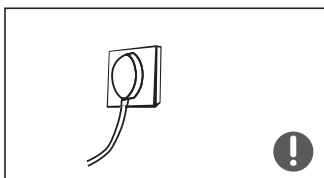
This is a cautioning symbol. Instructions marked with this symbol require special caution. Insufficient caution may result in slight or moderate injury, or damage to the product.

This manual contains lots of important safety information which shall be observed by the users.

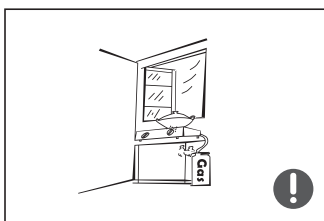
## 1.3. ELECTRICITY RELATED WARNINGS



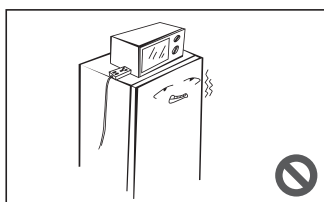
- Do not pull the power cord when pulling the power plug of the refrigerator. Please firmly grasp the plug and pull out it from the socket directly.
- To ensure safe use, do not damage the power cord or use the power cord when it is damaged or worn.



- Please use a dedicated power socket and the power socket shall not be shared with other electrical appliances.
- The power plug should be firmly contacted with the socket or else fires might be caused.
- Please ensure that the grounding electrode of the power socket is equipped with a reliable grounding line.

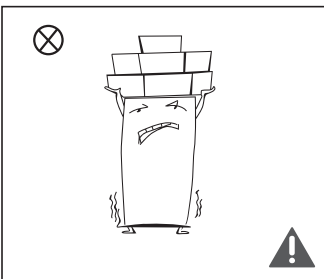
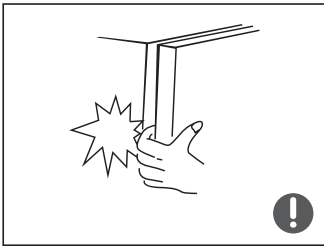
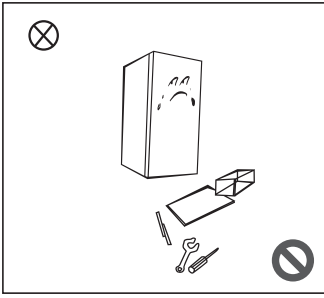


- Please turn off the valve of the leaking gas and then open the doors and windows in case of leakage of gas and other flammable gases. Do not unplug the refrigerator and other electrical appliances considering that spark may cause a fire.



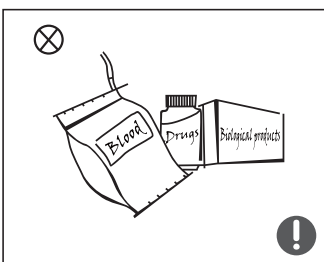
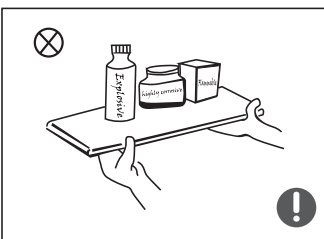
- Do not use electrical appliances on the top of the appliance, unless they are of the type recommended by the manufacturer.

## 1.4. WARNINGS FOR USING



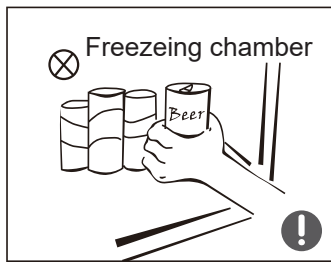
- Do not arbitrarily disassemble or reconstruct the refrigerator, nor damage the refrigerant circuit; maintenance of the appliance must be conducted by a specialist.
- Damaged power cord must be replaced by the manufacturer, its maintenance department or related professionals in order to avoid danger.
- The gaps between refrigerator doors and between doors and refrigerator body are small, be noted not to put your hand in these areas to prevent from squeezing the finger. Please be gentle when close the refrigerator door to avoid falling articles.
- Do not pick foods or containers with wet hands in the freezing chamber when the refrigerator is running, especially metal containers in order to avoid frostbite.
- Do not allow any child to get into or climb the refrigerator; otherwise suffocation or falling injury of the child may be caused.
- Do not place heavy objects on the top of the refrigerator considering that objects may fall when close or open the door, and accidental injuries might be caused.
- Please pull out the plug in case of power failure or cleaning. Do not connect the refrigerator to power supply within five minutes to prevent damages to the compressor due to successive starts.

## 1.5. WARNINGS FOR PLACEMENT



- Do not put flammable, explosive, volatile and highly corrosive items in the refrigerator to prevent damages to the product or fire accidents.
- Do not place flammable items near the refrigerator to avoid fires.
- The refrigerator is intended for household use, such as storage of foods; it shall not be used for other purposes, such as storage of blood, drugs or biological products, etc.







- Do not store beer, beverage or other fluid contained in bottles or enclosed containers in the freezing chamber of the refrigerator; the bottles or enclosed containers may crack due to freezing to cause damages.

## 1.6. WARNINGS FOR ENERGY

- 1) Refrigerating appliances might not operate consistently (possibility of defrosting of contents or temperature becoming too warm in the frozen food compartment) when sited for an extended period of time below the cold end of the range of temperatures for which the refrigerating appliance is designed.
- 2) The fact that effervescent drinks should not be stored in food freezer compartments or cabinets or in low-temperature compartments or cabinets, and that some products such as water ices should not be consumed too cold.
- 3) The need to not exceed the storage time(s) recommended by the food manufacturers for any kind of food and particularly for commercially quick-frozen food in food-freezer and frozen-food storage compartments or cabinets.
- 4) The precautions necessary to prevent an undue rise in the temperature of the frozen food while defrosting the refrigerating appliance, such as wrapping the frozen food in several layers of newspaper.
- 5) The fact that a rise in temperature of the frozen food during manual defrosting, maintenance or cleaning could shorten the storage life.

## 1.7. WARNINGS FOR DISPOSAL

 Refrigerant and cyclopentane foaming material used for the refrigerator are flammable. Therefore, when the refrigerator is scrapped, it shall be kept away from any fire source and be recovered by a special recovering company with corresponding qualification other than be disposed by combustion, so as to prevent damage to the environment or any other harm.

 When the refrigerator is scrapped, disassemble the doors, and remove gasket of door and shelves; put the doors and shelves in a proper place, so as to prevent trapping of any child.



This marking indicates that this product should not be disposed of with other household wastes. To prevent possible harm to the environment or human health from uncontrolled waste disposal, recycle it responsibly to promote the sustainable reuse of material resources. To return your used appliance, please use the return and collection systems or contact the retailer where the product was purchased. They can take this product for environmentally safe recycling.

## 2. TECHNICAL SPECIFICATIONS

Power supply	220 - 240 V~, 50 Hz
Rated current	1.1 A
Energy consumption	177 kWh/a
Protection class	Class I
Climate class	SN/N/ST/T
Lamp rated power	MAX 4.5 W
Total volume	378 L
Fresh food compartment volume	216 L
Chill compartment volume	40 L
Four-star compartment volume	122 L
Refrigerant and inject amount	R600a/55g
Freezing capacity	7.5 kg/24h
Dimensions (H x L x W)	2010 x 700 x 595 mm
Net weight	85 kg

## 3. PRODUCT DESCRIPTION

### 3.1. PRODUCT

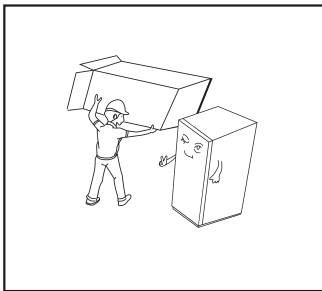
- |                                |                      |
|--------------------------------|----------------------|
| 1. LED light                   | 5. Meat and fish box |
| 2. Shelf                       | 6. Drawer            |
| 3. LED light (for some models) | 7. Door tray         |
| 4. Fruit and vegetables box    | 8. Door switch       |

### 3.2. DISPLAY PANEL

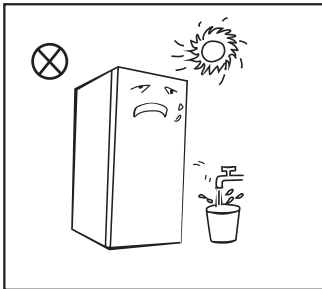
- |   |   |
|---|---|
| 1. Refrigerating chamber temperature display area | 6. Lock icon  |
| 2. Freezing chamber temperature display area      | A. Temperature setting button (refrigerating chamber) |
| 3. Quick cool icon                                | B. Temperature setting button (freezer chamber)       |
| 4. Quick freeze icon                              | C. Super cool/super freezing button                   |
| 5. Vacation icon                                  |   |

## 4. INSTALLATION

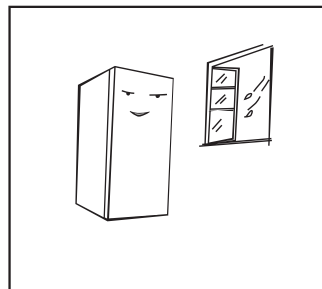
### 4.1. PLACEMENT



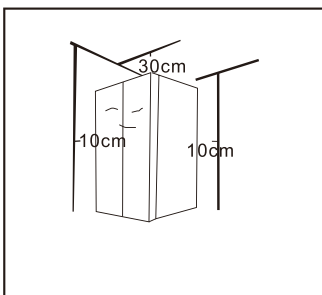
- Before use, remove all packing materials, including bottom cushions, foam pads and tapes inside the refrigerator; tear off the protective film on the doors and the refrigerator body.
- Please leave the packaging materials and other parts out of reach of children to prevent from risk of suffocation.



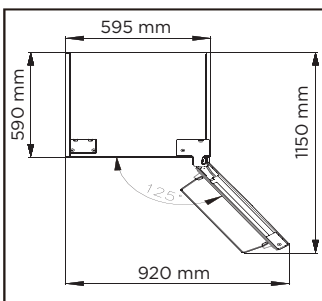
- Keep away from heat and avoid direct sunlight. Do not place the freezer in moist or watery places to prevent rust or reduction of insulating effect.
- Do not spray or wash the refrigerator; do not put the refrigerator in moist places easy to be splashed with water so as not to affect the electrical insulation properties of the refrigerator.



- The refrigerator is placed in a well-ventilated indoor place; the ground shall be flat, and sturdy (rotate left or right to adjust the wheel for levelling if unstable).



- This refrigerator needs to be installed independently and cannot be used as a built-in. Otherwise, it will cause problems such as failure to install into the cabinet, the performance and life of the product are reduced. And the manufacturer does not provide basic product warranty.
- The top space of the refrigerator shall be greater than 30cm, and the refrigerator should be placed against a wall with a free distance more than 10cm to facilitate heat dissipation.



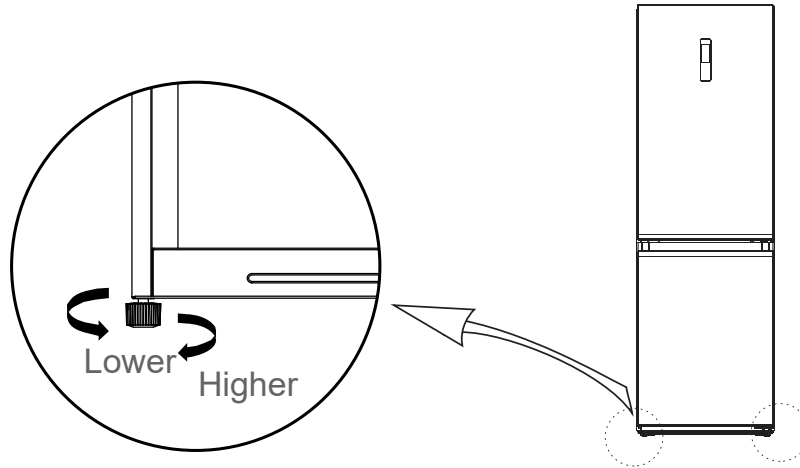
- Spare enough space for convenient opening of the doors and drawers.

#### ! Precautions before installation:

- Before installation or adjustment of accessories, ensure that the refrigerator is disconnected from power.
- Precautions shall be taken to prevent fall of the handle from causing any personal injury.

## 4.2. LEVELLING FEET

Schematic diagram of the levelling feet:




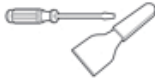


**Note:** The picture above is for reference only. The actual configuration will depend on the physical product or statement by the distributor.

### Adjustment procedures:

1. Turn the feet clockwise to raise the refrigerator;
2. Turn the feet counter-clockwise to lower the refrigerator;
3. Adjust the right and left feet based on the above procedures to a horizontal level.

## 4.3. REVERSE THE DOOR SWING

Tools required:

	Cross-head screwdriver		Putty knife & thin-blade screwdriver
	5/16" socket and ratchet		Masking tape

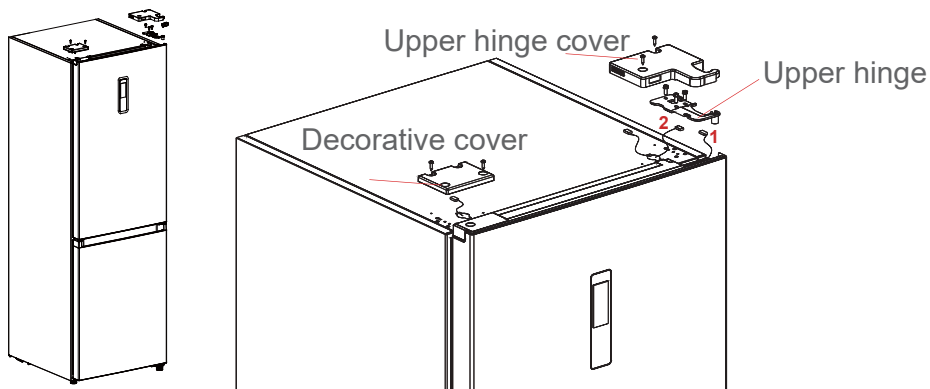
**Note:** The above tools are not supplied.

### Parts to be used for door reversal:

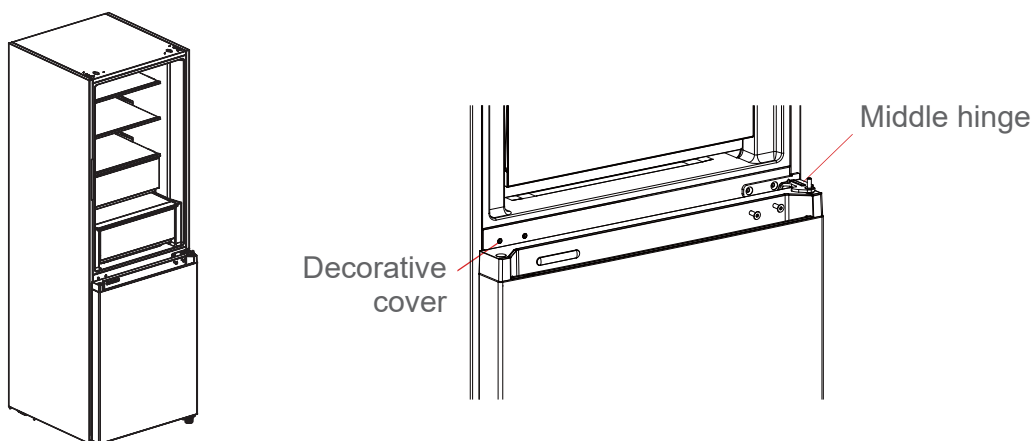
No.	Part	Quantity	Note
1	Upper hinge	1	Pre-installed on refrigerator, removed and retained it when changing the door
2	Upper hinge cover	1	Pre-installed on refrigerator, removed and retained it when changing the door
3	Decorative cover	1	Pre-installed on refrigerator, removed and retained it when changing the door
4	Door self-locking	2	Pre-installed on refrigerator, removed and retained it when changing the door
5	Middle hinge	1	Pre-installed on the refrigerator and to be used when changing the door
6	Decorative cover	1	Pre-installed on the refrigerator and to be used when changing the door
7	Lower hinge	1	Pre-installed on the refrigerator and to be used when changing the door

8	Levelling feet	1	Pre-installed on the refrigerator and to be used when changing the door
9	Left upper hinge	1	In the attached plastic bag, take them out for use when door is reversed
10	Left upper hinge cover	1	In the attached plastic bag, take them out for use when door is reversed
11	Left door self-locking	2	In the attached plastic bag, take them out for use when door is reversed
12	Right plastic cover	1	In the attached plastic bag, take them out for use when door is reversed

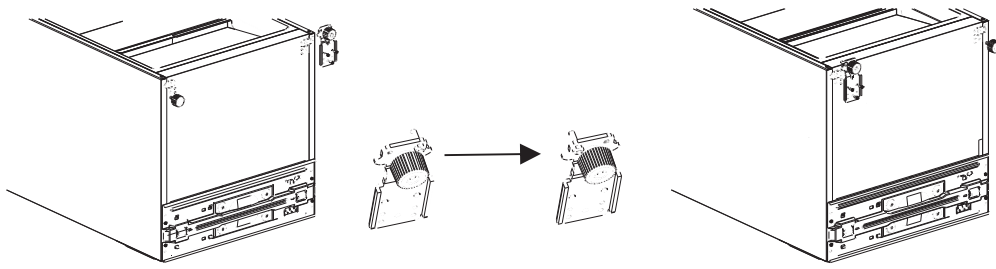
1. Power off this appliance before conducting this operation. Remove all food from door shelves.
2. Remove the upper left hinge cover decorative cover, upper right hinge cover and upper right hinge, and disconnect the right signal line (signal line terminal 1, 2) at the top of the box body.



3. Remove the refrigerated door body (be careful not to lose small parts such as the shaft sleeve and stop on the door); Remove the middle hinge and remove the decorative cover of hinge hole on the other side.



4. Remove the freezing door body (be careful not to lose small parts such as the shaft sleeve and stop on the door); Remove the hinge and adjust the angle. Remove and install the lower hinge shaft to the other side of the hinge, and install the modified lower hinge to the other side of the box.

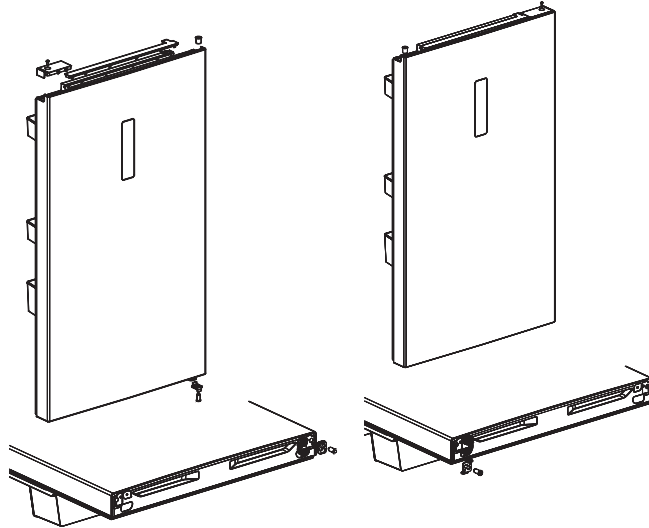


5. Change the refrigerator door:

1) Remove the cover plate of the upper end cover of the refrigeration door and the left decorative cover.

Install the upper shaft sleeve and the signal line of the door body to the other side and cover the upper end cover plate. Take out the right decorative cover from the accessory bag and install it to the other side of the upper end cover.

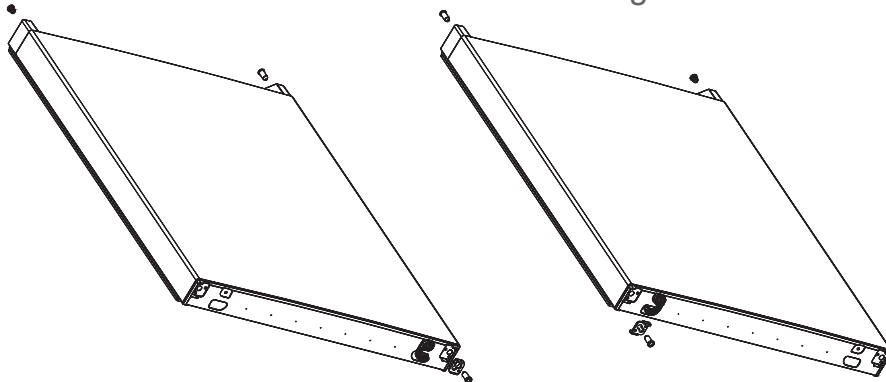
2) Remove the door self-locking, door stop and shaft sleeve of the refrigeration door, take out the left door self-locking from the accessory bag, install it on the left side of the lower end cover of the refrigeration door, change the door stop and shaft sleeve to the left side of the lower end cover of the refrigeration door.



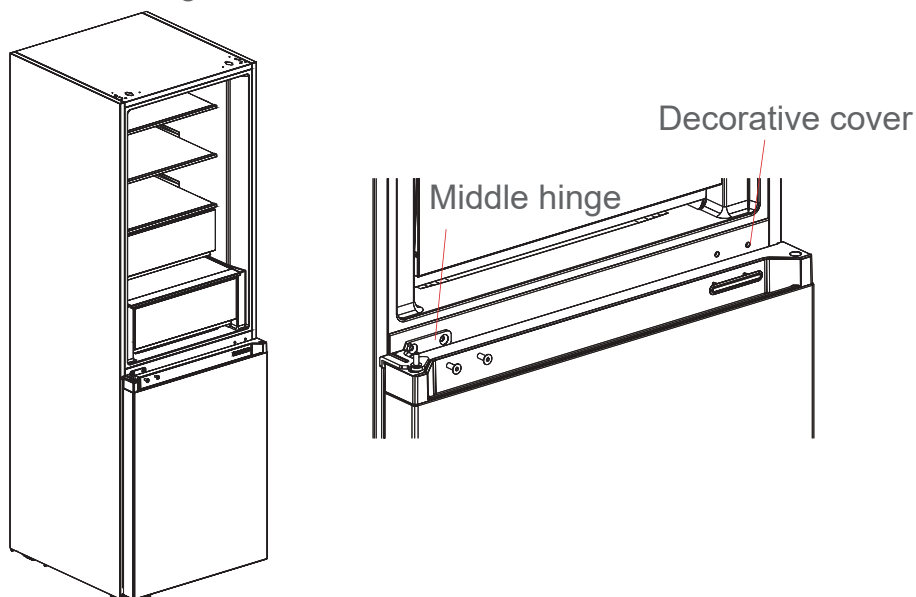
6. Change the freezing door:

1) Remove the shaft sleeve and cap of the upper end cover of the freezing door and install them at the left and right swap positions.

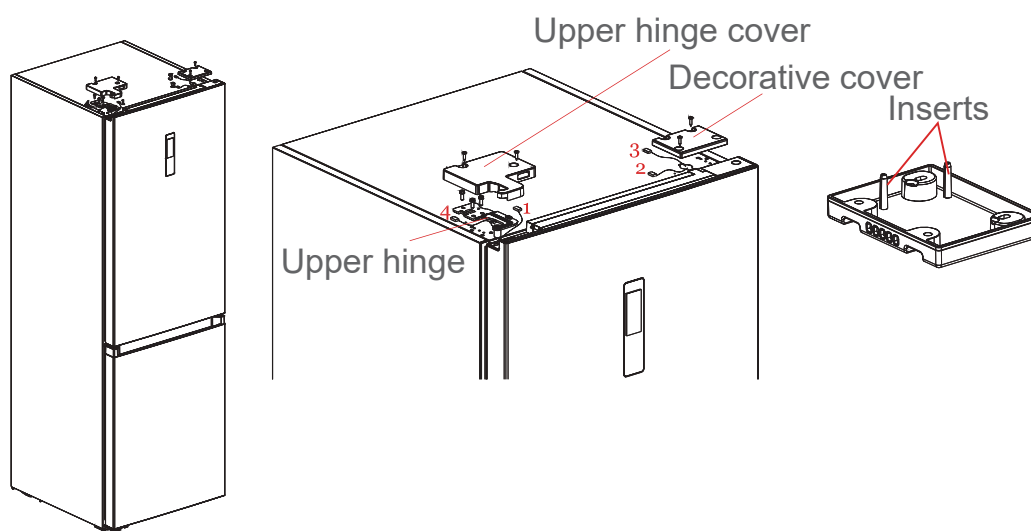
2) Remove the door self-locking, door stop and shaft sleeve of the freezing door, take out the left door self-locking from the accessory bag, install it on the left side of the lower end cover of the freezing door, change the door stop and shaft sleeve to the left side of the lower end cover of the freezing door.



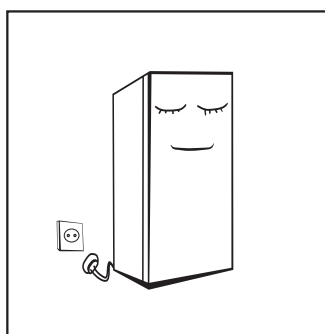
7. Install the replaced freezing door on the lower hinge, then install the middle hinge and cover the hinge hole decorative cover.



8. Remove the upper left hinge cover and upper left hinge from the accessory bag. Place the refrigerator door body on the middle hinge and install the upper left hinge. Connect the refrigerator top signal line 4 to the door body signal line 1, and connect the signal line 2 to the signal line 3. Finally, replace the hinge decorative cover to the right side of the box body. When replacing the hinge decorative cover to the right side of the box body, the two inserts on the hinge decorative cover (as shown in the figure) shall be cut off.



#### 4.4. START TO USE



- Before initial start, keep the refrigerator still for more than two hours before connecting it to power supply; otherwise it will lead to a decrease in cooling capacity or a damage to the product.
- Before putting any fresh or frozen foods, the refrigerator shall have run for 2-3 hours, or for above 4 hours in summer when the ambient temperature is high.

## 5. USE

### 5.1. RECOMMENDED TEMPERATURE SETTING

Refrigerating chamber 4 °C, freezing chamber -18 °C.

### 5.2. REFRIGERATING CHAMBER

- The refrigerating chamber is suitable for storage of a variety of fruits, vegetables, beverages and other food consumed in the short term. Suggested storage time is 3 to 5 days.
- Hot foods shall not be put into the refrigerating chamber until cooled down to room temperature.
- Foods are recommended to be sealed up before putting into the refrigerator.
- The glass shelves can be adjusted up or down for a reasonable amount of storage space and easy use.

**Note:** Drawers, food boxes, shelves, etc., placed according to the position in the product description figure are the most energy efficient.

### 5.3. FREEZING CHAMBER


- The low temperature freezing chamber may keep food fresh for a long time and it is mainly used to store frozen foods and making ice.
- The freezing chamber is suitable for storage of meat, fish, rice balls and other foods not to be consumed in short term.
- Chunks of meat are preferably to be divided into small pieces for easy access. Please be noted food shall be consumed within the shelf time.

#### Recommended storage times of frozen food in the freezer compartment

These times vary depending on the type of food. The food that you freeze can be preserved from 1 to 12 months (minimum at -18°C).

Food	Storage time
Bacon, casseroles, milk	1 month
Bread, ice cream, sausages, pies, prepared shellfish, oily fish	2 months
Non-oily fish, shellfish, pizza, scones and muffins	3 months
Ham, cakes, biscuits, beef and lamb chops, poultry pieces	4 months
Butter, vegetables (blanched), eggs whole and yolks, cooked crayfish, minced meat (raw), pork (raw)	6 months
Fruit (dry or in syrup), egg whites, beef (raw), whole chicken, lamb (raw), fruit cakes	12 months

### 5.4. DISPLAY

- When powering on the refrigerator for the first time, the whole display panel will shine for 3 seconds, then it enters the normal display. When you use the refrigerator for the first time, the default temperatures of refrigerating chamber and freezing chamber are 2 °C and -24 °C respectively.
- When an error occurs, the display panel shows the error code (see “Fault indication”); during normal running, the display panel shows the set temperature of refrigerating chamber and freezing chamber.
- Under normal running, if there is no operation within 30 seconds, the display panel will be locked. The light of display panel will extinguish after the locked state  continues for 30 s.



## 5.5. LOCK/UNLOCK

- In the unlocked state, press and hold the **super-cool/super-freezer button (C)** for 3 s to enter the locked state and the lock buzzer will sound.
- In the locked state, press and hold the **super-cool/super-freezer button (C)** for 3 s to enter the unlocked state and the unlocking buzzer will sound.

After 30 seconds of no button operation, the appliance will automatically enter the locked state and the lock buzzer will sound at the same time.

In the locked state, the only allowed operation is to release the alarm sound. Any other key operation is disallowed and will induce an error buzzer.

## 5.6. TEMPERATURE SETTING OF REFRIGERATING CHAMBER

Press the temperature setting button **(A)** to change the temperature of refrigerating chamber; each press of the button will decrease the temperature by 1 °C. The temperature setting range of refrigerating chamber is 2 to 8 °C. When the set temperature is 2 °C, another press of the button **(A)** will switch the temperature of refrigerating chamber to 8 °C.

## 5.7. TEMPERATURE SETTING OF FREEZING CHAMBER

Press the temperature setting button **(B)** to change the temperature of freezing chamber; each press of the button will decrease the temperature by 1 °C. The temperature setting range of refrigerating chamber is -24 to -16 °C. When the set temperature is -24 °C, another press of the button **(B)** will switch the temperature of freezing chamber to -16 °C.

## 5.8. MODE SETTING

Press and hold the temperature setting button **(A)** for 3 s to set/cancel the holiday mode.

When the holiday mode is set, the refrigeration chamber is turned off, the refrigeration temperature display area is extinguished, and the freezing chamber is automatically set to -18 °C.

Operating the Freezer button or Super cool/super freezing button will exit the holiday mode. Then the refrigerating chamber and freezing chamber will automatically return to the temperature you set before the holiday mode.

Now the device enters the normal operation mode.

The temperature is only set successfully when entering the lock mode.

## 5.9. SUPER FREEZER MODE

Press the super cool/super freezer button **(C)** repeatedly to switch the mode in this order: super cool -> super freezer -> cancel. When a mode is set or cancelled, the corresponding super-cool/super-freezer icon will be lit or off.

- During the super cool mode, the refrigeration chamber is automatically set to 2 °C;
- During the super freezer mode, the freezing chamber is automatically set to -24 °C;
- After you exit the super cool/super freezer mode, the refrigeration/freezing chamber will automatically return to the temperature you set before.
- The super cool mode will be automatically disabled after running for around 4.5 h, and super freezer mode will be automatically disabled after running for about 25 h.

**Note:** The super-freezer function is designed to maintain the nutritional value of the food in the freezer. It can freeze the food in the shortest time. If a large amount of food is frozen at one time, it is recommended that the user turn on the quick-freezing function and put the food in. At this time, the freezing speed of the freezer compartment is increased, which can quickly freeze the food and effectively lock the nutrition of the food.

## 5.10. DOOR OPEN ALARM

If the fridge door remains open for 120 seconds, the buzzer will alarm until the refrigerator door is closed; you can press any key to cancel the buzzer alarm.

## 5.11. FAULT INDICATION

The following error codes appearing on the display panel indicate corresponding faults of the refrigerator.

Though the refrigerator may still keep the food cold with the following faults, the user shall contact a maintenance specialist for maintenance, so as to ensure optimized operation of the appliance.

Error Code	Fault Description
E1	Temperature sensor failure of refrigerating chamber
E2	Temperature sensor failure of freezing chamber
E3	Temperature sensor failure of meat&fish zone
E5	Freezing defrost sensor detection circuit error
E6	Communication error
E7	Ambient temperature sensor error

## 5.12. TIPS FOR FOOD STORAGE

- Cooked meats/fishes should be stored on a shelf above raw meats/fishes to avoid bacterial transfer. Keep raw meats/fishes in a container which is large enough to collect juices and cover it properly. Place the container on the lowest shelf.
- Leave space around your food, to allow air to circulate inside the unit. Ensure all parts of the unit are kept cool.
- To prevent transfer of flavors and drying out, pack or cover the food separately. Fruit and vegetables do not need to be wrapped.
- Always let pre-cooked food cool down before you put in the unit. This will help to maintain the internal temperature of the unit.
- To prevent cold air escaping from the unit, try to limit the number of times you open the door. We recommend that you only open the door when you need to put food in or take food out.

## 5.13. ENERGY SAVING TIPS

- The appliance should be located in the coolest area of the room, away from heat producing appliances or heating ducts, and out of the direct sunlight.
- Let hot foods cool to room temperature before placing in the appliance. Overloading the appliance forces the compressor to run longer. Foods that cooled too slowly may lose quality, or spoil.
- Be sure to wrap foods properly, and wipe containers dry before placing them in the appliance. This cuts down on frost build-up inside the appliance.
- Appliance storage bin should not be lined with aluminum foil, wax paper, or paper towel. Liners interfere with cold air circulation, making the appliance less efficient.
- Organize and label food to reduce door openings and extended searches. Remove as many items as needed at one time, and close the door as soon as possible.
- The combination of the drawers, baskets and shelves shown in the device description figure is optimal for efficient energy savings. Changing the combination proposition could alter the efficiency.

- Try not to open the door too often, especially when the weather is wet and hot. Once you open the door, close it as soon as possible.
- Every now and then check if the appliance is sufficiently ventilated (adequate air circulation behind the appliance).
- In normal temperature conditions, please arrange the thermostat at the middle setting.
- Before loading the appliance with packages of fresh food, make sure they are cooled to ambient temperature.
- Ice and frost layer increases energy consumption, so clean the appliance as soon as the layer is 3-5 mm thick.

## 6. MAINTENANCE AND CLEANING

### 6.1. OVERALL CLEANING

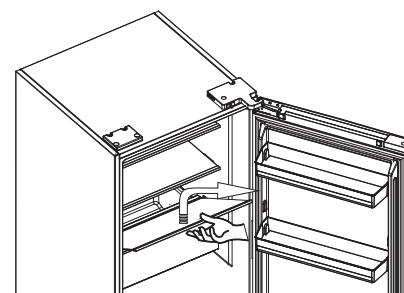
**!** Please unplug the refrigerator for defrosting and cleaning.

- Dust behind the refrigerator and on the ground shall be timely cleaned to improve the cooling effect and energy saving.
- Check the door gasket regularly to make sure there are no debris. Clean the door gasket with a soft cloth dampened with soapy water or diluted detergent.
- The interior of the refrigerator should be cleaned regularly to avoid odor.
- Please turn off the power before cleaning interior, remove all foods, drinks, shelves, drawers, etc.
- Use a soft cloth or sponge to clean the inside of the refrigerator, with two tablespoons of baking soda and a quart of warm water. Then rinse with water and wipe clean. After cleaning, open the door and let it dry naturally before turning on the power.
- For areas that are difficult to clean in the refrigerator (such as narrow sandwiches, gaps or corners), it is recommended to wipe them regularly with a soft rag, soft brush, etc., and when necessary, combined with some auxiliary tools (such as thin sticks) to ensure no contaminants or bacterial accumulation in these areas.
- Do not use soap, detergent, scrub power, spray cleaner, etc., as these may cause odors in the interior of the refrigerator or contaminated food.
- Clean the bottle frame, shelves and drawers with a soft cloth dampened with soapy water or diluted detergent. Dry with a soft cloth or dry naturally.
- Wipe the outer surface of the refrigerator with a soft cloth dampened with soapy water, diluted detergent, etc., and then wipe dry.
- Do not use hard brushes, clean steel balls, wire brushes, abrasives (such as toothpastes), organic solvents (such as alcohol, acetone, banana oil, etc.), boiling water, acid or alkaline items, which may damage the cooler surface and interior. Boiling water and organic solvents such as benzene may deform or damage plastic parts.
- Do not rinse directly with water or other liquids during cleaning to avoid short circuits or affect electrical insulation after immersion.



### 6.2. CLEANING THE GLASS SHELF

- Remove the drawer on the glass shelf;
- Lift up the front of glass shelf (about 60°), and then pull out;
- Remove the glass shelf and clean as needed;
- To install the glass shelf back, just use the reverse motion of removing.



### 6.3. DEFROSTING

- The refrigerator is made based on the air-cooling principle and thus has automatic defrosting function. Frost formed due to change of season or temperature may

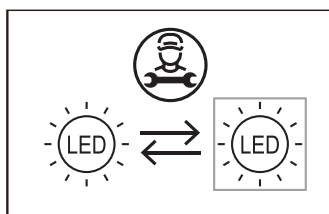
also be manually removed by disconnection of the appliance from power supply or by wiping with a dry towel.

#### 6.4. OUT OF OPERATION

- Power failure: In case of power failure, even if it is in summer, foods inside the appliance can be kept for several hours; during the power failure, the times of door opening shall be reduced, and no more fresh food shall be put into the appliance.
- Long-time nonuse: The appliance shall be unplugged and then cleaned; then the doors are left open to prevent odor.
- Moving: Before moving the refrigerator, take out all objects inside, fix the glass partitions, vegetable holder, freezing chamber drawers and etc. with tape, and tighten the levelling feet; close the doors and fix them with tape. During moving, the appliance shall not be laid upside down or horizontally, or be vibrated; the inclination during movement shall be no more than 45°. Do not hold the door and hinge when moving this unit.

**!** The appliance shall run continuously once it is started. Generally, the operation of the appliance shall not be interrupted, otherwise the service life may be impaired.

#### 6.5. CHANGING THE LIGHT



- Any replacement or maintenance of the LED lamps is intended to be made by the manufacturer, its service agent or similar qualified person.

Light source in this product shall be replaced by qualified engineers only.

	<p>1. Disconnect the plug before removal.</p>		<p>2. Remove the lampshade with a screwdriver.</p>
	<p>3. Take down the lamp panel.</p>		<p>4. Remove the connection terminal.</p>

## 7. TROUBLESHOOTING

You may try to solve the following simple problems by yourself. If they cannot be solved, please contact the after-sales department.

Problem	Recommended solution
Failed operation	<p>Check whether the appliance is connected to power or whether the plug is in well contact</p> <p>Check whether the voltage is too low</p> <p>Check whether there is a power failure or partial circuits have tripped</p>
Odor	<p>Odorous foods shall be tightly wrapped</p> <p>Check whether there is any rotten food</p> <p>The interior of the refrigerator should be cleaned</p>
Long-time operation of the compressor	<p>It is normal that refrigerator operates for longer time in summer when the ambient temperature is higher</p> <p>Do not put too much food in the appliance at one time</p> <p>Do not put foods until they are cooled</p> <p>The doors are opened too frequently</p>
Light fails to get lit	<p>Check whether the refrigerator is connected to power supply and whether the light is damaged</p> <p>Have the light replaced by a specialist if it is damaged</p>
Doors cannot be properly closed	<p>The door is stuck by food packages</p> <p>Too much food is placed</p> <p>The refrigerator is tilted</p>
Loud noise	<p>Check whether the floor is level and whether the refrigerator is placed stably</p> <p>Check whether accessories are placed at proper locations</p>
Door seal fails to be tight	<p>Remove foreign matters on the door seal</p> <p>Heat the door seal and then cool it for restoration (or blow it with an electric dryer or use a hot towel for heating)</p>
Water pan overflows	<p>There is too much food in the chamber or stored food contains too much water, resulting in heavy defrosting</p> <p>The doors are not closed properly, resulting in frosting due to entry of air and increased water due to defrosting</p>
Hot housing	<p>Heat dissipation of the built-in condenser via the housing, which is normal</p> <p>Provide sufficient ventilation to facilitate heat dissipation when housing becomes hot due to high ambient temperature, storage of too much food or shutdown of the compressor</p>
Surface condensation	<p>Condensation on the exterior surface and door seals of the refrigerator is normal when the ambient humidity is too high. Just wipe the condensate with a clean towel</p>
Abnormal noise	<p>Buzz: The compressor may produce buzzes during operation, and the buzzes are loud particularly upon start or stop. This is normal</p> <p>Creak: Refrigerant flowing inside of the appliance may produce creak, which is normal</p>

Table 1 Climate classes

Class	Symbol	Ambient temperature range (°C)
Extended temperate	SN	+ 10 to + 32
Temperate	N	+ 16 to + 32
Subtropical	ST	+ 16 to + 38
Tropical	T	+ 16 to + 43

Extended temperate: this refrigerating appliance is intended to be used at ambient temperatures ranging from 10 °C to 32 °C;

Temperate: this refrigerating appliance is intended to be used at ambient temperatures ranging from 16 °C to 32 °C;

Subtropical: this refrigerating appliance is intended to be used at ambient temperatures ranging from 16 °C to 38 °C;

Tropical: this refrigerating appliance is intended to be used at ambient temperatures ranging from 16 °C to 43 °C.

The ordered parts in the following table can be acquired from channel \_\_\_\_\_:

Ordered Part	Provided by	Minimum Time Required for Provision
thermostats	Professional maintenance personnel	At least 7 years after the last model is launched on the market
temperature sensors	Professional maintenance personnel	At least 7 years after the last model is launched on the market
printed circuit boards	Professional maintenance personnel	At least 7 years after the last model is launched on the market
light sources	Professional maintenance personnel	At least 7 years after the last model is launched on the market
door handles	Professional repairers and final users	At least 7 years after the last model is launched on the market
door hinges	Professional repairers and final users	At least 7 years after the last model is launched on the market
trays	Professional repairers and final users	At least 7 years after the last model is launched on the market
baskets	Professional repairers and final users	At least 7 years after the last model is launched on the market
door gaskets	Professional repairers and final users	At least 10 years after the last model is launched on the market

The shortest period for providing after-sales spare parts is 15 working days.

The model information in the product database, as well as the model identifier, can be obtained through a weblink scanned by a QR code on the energy efficiency label of the product.

Dear customer,

1. If you want to return or replace the product, please contact the store where you buy.

(Remember to bring the purchase invoice)

- If your product malfunctions and needs repair, please contact after-sales service provider.

### Product Data Sheet concerning (EU) 2019/2019

The product data sheet for your appliance can be found online if you wish to download a copy.

Go to <https://eprel.ec.europa.eu/> and enter the model identifier for your appliance to download the data sheet.

The model identifier for your appliance can be found on the rating plate at the rear/inside of the appliance.

### Packing frozen food

To prevent food from losing its flavour or drying out, place food in airtight packaging.

- Place food in packaging.
- Remove air.
- Seal the wrapping.
- Label packaging with contents and dates of freezing.

Suitable packaging:

Plastic film, tubular film made of polyethylene, aluminium foil.

These products are available from specialist outlets.

### Recommended storage times of frozen food in the freezer compartment

These times vary depending on the type of food. The food that you freeze can be preserved from 1 to 12 months (minimum at -18°C).

Food	Storage time
Bacon, casseroles, milks	1 month
Bread, ice cream, sausages, pies, prepared shellfish, oily fish	2 month
Non-oily fish, shellfish, pizza, scones and muffins	3 month
Ham, cakes, biscuits, beef and lamb chops, poultry pieces	4 month
Butter, vegetables (blanched), eggs whole and yolks, cooked	6 month
crayfish, minced meat (raw), pork (raw)	12 month
Fruit (dry or in syrup), egg whites, beef (raw), whole chicken, lamb (raw), fruit cakes	1 month

### Never forget:

- When you freeze fresh foods with a 'use by/best before/best by/' date, you must freeze them before this date expires.
- Check that the food was not already frozen. Indeed, frozen food that has thawed completely must not be refrozen.
- Once defrosted, food should be consumed quickly.

### Making ice cubes

Fill the ice cube tray with 3/4 full of drinking water and place in the freezer drawer.

If the ice cube tray is stuck to the freezer drawer, loosen with a blunt tool only.

To loosen the ice cubes, twist the ice cube tray slightly or hold briefly under flowing water.

### Door opening alarm

If the fridge door is left open for approximately 120 seconds, the alarm will sound.

To turn off the alarm, you can close the door or press any button.

### Operating noises

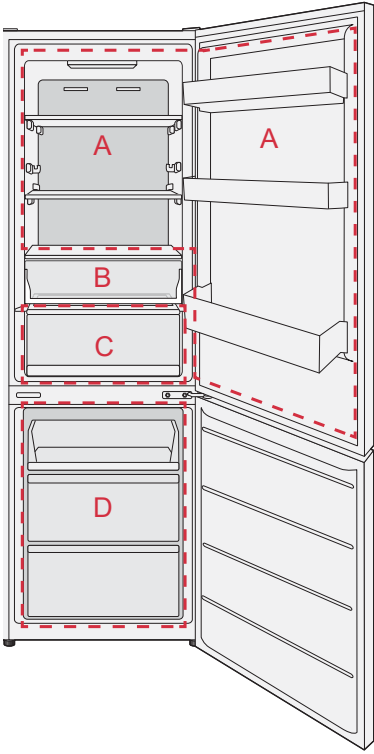
Normal noises

- Motors are running. Refrigerant is flowing through the tubing.

### Moving your refrigerator freezer

- Unplug the refrigerator freezer.

## Storage of food and beverages

	Area	Recommended food and temperature setting
	A	<b>Fridge compartment (4°C)</b> - Storage of food for daily consumption, delicacies, yogurt, sauces, pickled vegetables, desserts - Storage of meat, fish, sausages, fresh filled pasta, cooked foods, leftovers
	B	<b>Door shelf (4°C)</b> Storage of drinks, milk, yogurt, eggs and butter
	C	<b>Fruit and vegetable compartment (4°C)</b>
	D	<b>Extra fridge (0°C - 6°C)</b> Storage of fish, raw meat that's about to be cooked
		<b>Freezer (-18°C)</b> Foods for long-term storage - Top drawer: Storage of frozen food and ice cream. - Middle drawers: storage for raw meat, poultry, fish - Bottom drawers: storage for frozen vegetables, chips



## 8. GUARANTEES

### Guarantees and limitations of liability

Products are guaranteed for a period of 36 months from the date of purchase, or from the date of delivery to the customer's home. Depending on the country, this guarantee consists of 24 to 36 months of validity for the legal compliance guarantee.

For countries that only implement a 24-month legal compliance guarantee, a 12-month commercial guarantee is applied at the end of the first guarantee, and supplements it.

### Guarantee application procedure

#### For the legal compliance guarantee

Please consult your retailer for information and/or to refer to their GTCs (General Terms and Conditions of Sale).

#### For the commercial guarantee

Please go to the reception desk at your place of purchase with your proof of purchase (e.g. sales receipt), the product and the accessories it came with, and its original packaging, for all countries other than France. It is important to have the date of purchase, the model and the serial number or IMEI number to hand (this information is usually indicated on the product, packaging, or on your proof of purchase). You'll need to bring back the product with the accessories needed for its correct functioning (power supply, adapter, etc.). If your claim is covered by the guarantee, the after-sales service may, within the limits of local law, either:

- Repair or replace faulty parts.
- Exchange the returned product with a product that has, at the least, the same features and that offers equivalent performances.
- Refund the product at the price stated on the proof of purchase.

Repaired or replaced products may include new and/or reconditioned hardware and components.

### Commercial guarantee exclusions:

- Damages or problems caused by improper use, accident, tampering/modification or an unsuitable current or voltage connection.
- Use or storage conditions which are detrimental to the good conservation of the appliance (oxidation, corrosion), use of energy, use or installation non-compliant with the manufacturer's instructions, or negligence or use of peripherals, software or consumables which are unsuitable.
- Professional or collective, industrial or commercial use of the product.
- Products that have been modified, or which have damaged, altered, erased or oxidised guarantee seals or serial numbers.
- Replaceable batteries and accessories are guaranteed for 6 months.
- Battery failure, caused by overcharging or by failure to follow the safety instructions set out in the manual.
- Cosmetic damage, including scratches, bumps or vandalism.
- Damage caused by any servicing operations carried out by non-authorized persons.
- Faults caused by normal wear and tear or the normal ageing of the product: seals, filters, accessories, vacuum cleaner brush and hose, lamps, overhead projector lamps, washing machine paddles, etc.
- Software updates as a consequence of changes to network settings.
- Damage caused by elements external to the appliance (foreign bodies, insects, etc.).
- The contents of the devices - freezer, washing machine, etc. (food, clothing, etc.)
- Product failure caused by the use of third-party software to modify, change, adapt or alter the product as is.
- Product failure resulting from its use without the accessories supplied with the product or approved by the Manufacturer.
- Parts for normal wear and tear or damage from use: tyre, inner tube, brake, etc.

The customer is responsible for regularly backing up the data contained on their hard disk or in the internal memory of their device, and this before any claim is submitted.

Auchan cannot be held liable for the loss or destruction of stored data, nor may it be held liable for damage caused to software resulting from, in particular, a restoration or a breakdown.

Similarly, Auchan is not required to check that SIM/SD cards have been removed from returned products.

Under no circumstances shall the provisions set out above reduce or eliminate: the legal guarantee referred to above, and the manufacturer's commercial guarantee, if applicable (see guarantee form).

# APERÇU DU CONTENU :

FR

1. CONSIGNES DE SÉCURITÉ	P. 26
2. CARACTÉRISTIQUES TECHNIQUES	P. 32
3. DESCRIPTION DU PRODUIT	P. 32
4. INSTALLATION	P. 33
5. UTILISATION	P. 39
6. ENTRETIEN ET NETTOYAGE	P. 43
7. DÉPANNAGE	P. 45
8. GARANTIES	P. 49

## 1. CONSIGNES DE SÉCURITÉ

Avant d'utiliser cet accessoire, lisez attentivement ces instructions et conservez le manuel d'utilisation comme référence.

### 1.1. MISE EN GARDE



Mise en garde : Risque d'incendie et matériaux inflammables !




1. Cet appareil est destiné à être utilisé dans des applications domestiques et similaires telles que les cuisines du personnel dans les magasins, les bureaux et autres environnements de travail, les fermes et les clients des hôtels, des motels et autres environnements de type résidentiel, les chambres d'hôtes, la restauration et les applications non commerciales similaires.
2. Si le cordon est endommagé, il doit être remplacé par le fabricant, son agent d'entretien ou une personne qualifiée pour éviter tout danger.
3. Ne stockez pas de substances explosives comme des bombes aérosol contenant du gaz inflammable dans cet appareil.
4. L'appareil doit être débranché après utilisation et avant d'effectuer toute opération d'entretien sur l'appareil.
5. Mise en garde : Les ouvertures d'aération doivent rester exemptes de toute obstruction, à l'intérieur ou à l'extérieur de l'appareil.
6. Mise en garde : N'utilisez pas de dispositifs mécaniques ou d'autres moyens pour accélérer le processus de dégivrage, autres que ceux conseillés par le fabricant.
7. Mise en garde : N'endommagez pas le circuit réfrigérant.
8. Le gaz frigorigène R600a contenu dans le réfrigérateur est un gaz naturel. Il n'est pas néfaste pour l'environnement, mais il est inflammable. Par conséquent, il est important de transporter et d'installer votre réfrigérateur avec précaution, afin de ne pas endommager les conduits réfrigérants. En cas de fuite de gaz, évitez tout contact avec des flammes ou feux proches, et aérez la pièce.
9. Mise en garde : N'utilisez pas d'appareils électriques à l'intérieur des compartiments dédiés au stockage des aliments, sauf s'ils font partie de ceux conseillés par le fabricant.
10. Mise en garde : Veuillez abandonner le réfrigérateur conformément aux réglementations locales, car il utilise du gaz et du réfrigérant explosifs et inflammables.
11. Mise en garde : Lorsque vous placez l'appareil, assurez-vous que le câble d'alimentation n'est pas coincé ou endommagé.
12. Mise en garde : Ne placez pas plusieurs multiprises ou blocs d'alimentation portables à l'arrière de l'appareil.

13. N'utilisez pas de rallonges ni d'adaptateurs sans mise à terre (2 broches).
14. Danger : Risque de piège pour les enfants. Avant de jeter votre ancien réfrigérateur ou votre ancien congélateur :
  - Retirez les portes.
  - Laissez les étagères en place pour empêcher les enfants de grimper dedans.
15. Vous devez débrancher le réfrigérateur de la source d'alimentation électrique avant d'essayer d'installer un accessoire.
16. Le produit réfrigérant et la mousse isolante en cyclopentane utilisés pour la fabrication de l'appareil sont inflammables. Par conséquent, lorsque l'appareil est mis au rebut, il doit être tenu à l'écart de toute source de source et pris en charge par une entreprise spécialisée ayant les qualifications nécessaires. Il ne doit pas être incinéré afin d'éviter des problèmes environnementaux et autres effets néfastes.
17. La nécessité que, pour les portes ou les couvercles équipés de serrures et de clés, les clés soient tenues hors de portée des enfants et ne se trouvent pas à proximité de l'appareil de réfrigération, afin d'éviter que les enfants ne soient enfermés à l'intérieur.
18. Pour la norme européenne : Cet appareil peut être utilisé par des enfants âgés de 8 ans et plus ainsi que par des personnes dont les capacités physiques, sensorielles et mentales sont réduites, ou des personnes dénuées d'expérience ou de connaissance, si ceux-ci ont bénéficié d'une surveillance ou d'instructions préalables concernant l'utilisation de l'appareil en toute sécurité et comprennent les dangers encourus. Les enfants ne doivent pas prendre cet accessoire pour un jouet. Le nettoyage et l'entretien usuel par l'utilisateur ne doivent pas être effectués par des enfants sans surveillance. Les enfants âgés de 3 à 8 ans sont autorisés à charger et à décharger les appareils frigorifiques.
19. Pour éviter la contamination des aliments, respectez les instructions suivantes :
  - L'ouverture de la porte pendant de longues périodes peut provoquer une augmentation significative de la température dans les compartiments de l'appareil.
  - Nettoyez régulièrement les surfaces qui peuvent entrer en contact avec des aliments et les systèmes de drainage accessibles.
  - Nettoyez les réservoirs d'eau s'ils n'ont pas été utilisés pendant 48 heures : rincez le circuit d'eau raccordé à une alimentation en eau si l'eau n'a pas été puisée 5 jours de suite. (Remarque 1)
  - Conservez la viande et le poisson crus dans des récipients appropriés au réfrigérateur pour éviter qu'ils soient en contact avec d'autres aliments ou s'égouttent sur ceux-ci.
  - Les compartiments d'aliments congelés à deux étoiles conviennent à la conservation d'aliments précongelés, à la conservation ou à la fabrication de crème glacée et de glaçons. (Remarque 2)
  - Les compartiments à 1, 2 et 3 étoiles ne conviennent pas à la congélation des aliments frais. (Remarque 3)
  - Pour les appareils sans compartiment à 4 étoiles : L'appareil de réfrigération ne convient pas à la congélation des denrées alimentaires. (Remarque 4)
  - Si l'appareil frigorifique est laissé vide pendant de longues périodes, éteignez-le, dégivrez-le, nettoyez-le, séchez-le et laissez la porte ouverte pour empêcher la moisissure de se développer dans l'appareil.
  - Remarques 1, 2, 3, 4 : Veuillez confirmer si elles sont applicables en fonction du type de compartiment de votre produit.
20. Pour un appareil au sol : Cet appareil de réfrigération n'est pas destiné à être utilisé comme un appareil encastré.
21. Tout remplacement ou entretien des lampes LED doit être effectué par le fabricant, son agent d'entretien ou une personne qualifiée comparable. (Voir le chapitre 6.5 pour le remplacement de la lampe)
22. Cet appareil contient une source lumineuse de la classe d'efficacité énergétique (G).
23. MISE EN GARDE : Pour éviter un danger dû à l'instabilité de l'appareil, celui-ci doit être sécurisé conformément aux instructions.

24. MISE EN GARDE : L'appareil doit être connecté uniquement à l'alimentation en eau potable. (Adapté à la machine à glaçons)
25. Pour éviter qu'un enfant ne se fasse piéger, gardez-le hors de portée des enfants et ne les laissez pas à proximité du congélateur (ou du réfrigérateur). (Adapté aux produits avec serrures)

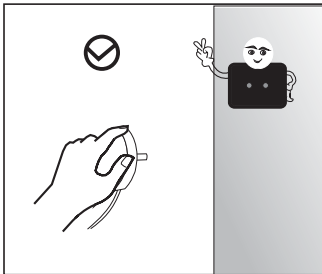
FR

## 1.2. SIGNIFICATION DES SYMBOLES RELATIFS À LA SÉCURITÉ

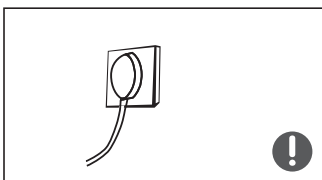
 Symbole de la prohibition	<p>C'est un symbole de prohibition. Tout manquement aux instructions marquées de ce symbole peut entraîner des dommages au produit ou mettre en danger la sécurité personnelle de l'utilisateur.</p>
 Symbole de mise en garde	<p>Il s'agit d'un symbole de mise en garde. Il est nécessaire de faire fonctionner le produit en respectant scrupuleusement les instructions marquées de ce symbole, sous peine de l'endommager ou de provoquer des blessures.</p>
 Symbole de remarque	<p>Il s'agit d'un symbole d'avertissement. Les instructions marquées de ce symbole nécessitent une attention particulière. Une prudence insuffisante peut entraîner des blessures légères ou modérées, ou endommager le produit.</p>

Ce manuel contient de nombreuses informations de sécurité importantes qui doivent être respectées par les utilisateurs.

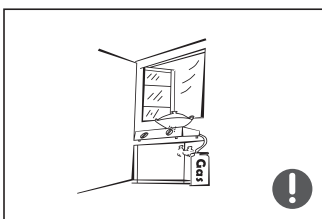
## 1.3. MISES EN GARDE RELATIVES À L'ÉLECTRICITÉ



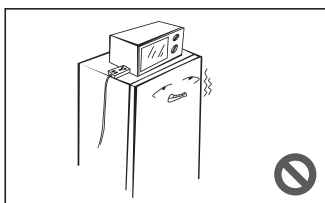
- Ne tirez pas sur le cordon d'alimentation lorsque vous tirez sur la fiche d'alimentation du réfrigérateur. Veuillez saisir fermement la fiche et la retirer directement de la prise.
- Pour garantir une utilisation sûre, n'endommagez pas le cordon d'alimentation et ne l'utilisez pas s'il est endommagé ou usé.



- Veuillez utiliser une prise de courant dédiée et la prise de courant ne doit pas être partagée avec d'autres appareils électriques.
- La fiche d'alimentation doit être fermement insérée dans la prise, sous peine de provoquer des incendies.
- Veuillez vous assurer que l'électrode de mise à la terre de la prise de courant est équipée d'une ligne de mise à la terre fiable.

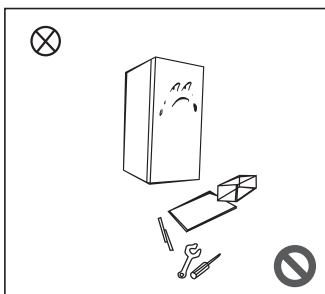


- En cas de fuite de gaz ou d'autres gaz inflammables, veuillez fermer la vanne du gaz qui fuit, puis ouvrir les portes et les fenêtres. Ne débranchez pas le réfrigérateur et les autres appareils électriques, car une étincelle pourrait provoquer un incendie.

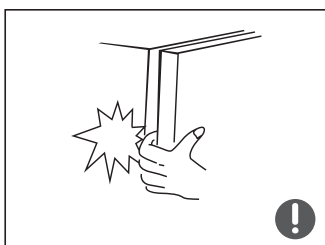


- N'utilisez pas d'appareils électriques sur le dessus de l'appareil, sauf s'ils font partie de ceux conseillés par le fabricant.

#### 1.4. MISES EN GARDE RELATIVES À L'UTILISATION



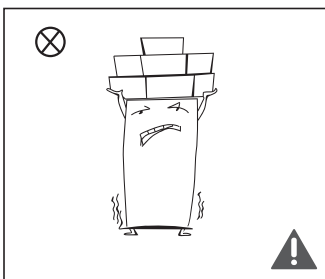
- Ne démontez ou ne reconstruisez pas arbitrairement le réfrigérateur. N'endommagez non plus le circuit du réfrigérant car l'entretien de l'appareil doit être effectué par un spécialiste.
- Un cordon d'alimentation endommagé doit être remplacé par le fabricant, son service d'entretien ou les professionnels concernés afin d'éviter tout danger.



- Les espaces entre les portes du réfrigérateur et entre les portes et le corps du réfrigérateur sont petits. Veillez à ne pas mettre votre main dans ces endroits pour éviter de vous coincer le doigt. Veuillez faire attention lorsque vous fermez la porte du réfrigérateur afin d'éviter la chute de produits.
- Ne prenez pas d'aliments ou de récipients avec les mains mouillées dans la chambre de congélation lorsque le réfrigérateur est en marche, en particulier les récipients métalliques afin d'éviter les gelures.



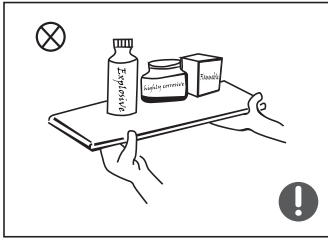
- Ne permettez pas aux enfants de rentrer dans le réfrigérateur ou de grimper dessus, sinon ils risquent de s'étouffer ou de tomber.



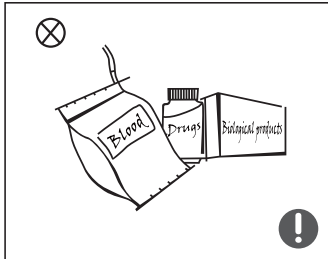
- Ne placez pas d'objets lourds au-dessus du réfrigérateur, car ils pourraient tomber lors de la fermeture ou de l'ouverture de la porte et provoquer des blessures accidentelles.
- Veuillez retirer la fiche en cas de panne de courant ou pour le nettoyage. Ne branchez pas le réfrigérateur à l'alimentation électrique dans les cinq minutes qui suivent afin d'éviter d'endommager le compresseur en raison de ses mises en marche successives.

## 1.5. MISES EN GARDE RELATIVES À LA MISE EN PLACE

FR



- Ne placez pas d'objets inflammables, explosifs, volatiles ou hautement corrosifs dans le réfrigérateur, pour prévenir tout risque d'incendie ou d'endommagement du produit.
- Ne placez pas d'objet inflammable à proximité du réfrigérateur, pour éviter les incendies.



- Le réfrigérateur est destiné à un usage domestique, comme la conservation d'aliments ; il ne doit pas être utilisé à d'autres fins, comme la conservation de sang, de médicaments ou de produits biologiques, etc.



- Ne conservez pas de bière, de boissons ou d'autres liquides contenus dans des bouteilles ou des récipients fermés dans la chambre de congélation du réfrigérateur ; les bouteilles ou les récipients fermés risquent de se fissurer sous l'effet du gel et de provoquer des dommages.

## 1.6. MISES EN GARDE RELATIVES À LA CONSOMMATION D'ÉNERGIE

1) Il se peut que les températures des appareils frigorifiques ne soient pas toujours constantes (décongélation ou température trop élevée dans le congélateur, par exemple) si le thermostat reste réglé trop longtemps sur la température la plus basse pour laquelle l'appareil est conçu.

2) Le fait que les boissons gazeuses ne doivent pas être conservées dans le congélateur ni dans les compartiments basse température, et que certains produits tels que les sorbets ne doivent pas être consommés trop froids.

3) La nécessité de ne pas dépasser le(s) délai(s) de conservation recommandé(s) par les producteurs alimentaires, quel que soit le type d'aliment et en particulier pour les aliments surgelés commercialement dans les congélateurs et les armoires ou compartiments de conservation des aliments surgelés.

4) Les précautions nécessaires afin d'éviter toute augmentation excessive de la température des aliments surgelés au moment de dégivrer votre appareil frigorifique. Pour cela, vous pouvez par exemple envelopper vos aliments dans plusieurs feuilles de papier journal.

5) Le fait qu'une augmentation de la température des aliments surgelés durant le dégivrage, l'entretien ou le nettoyage de l'appareil pourrait réduire la durée de conservation des aliments.

## 1.7. MISES EN GARDE RELATIVES À LA MISE AU REBUT

⊘ Le réfrigérant et le matériau moussant à base de cyclopentane utilisés pour le réfrigérateur sont inflammables. Par conséquent, lorsque le réfrigérateur est mis au rebut, il doit être maintenu à l'écart de toute source de chaleur et récupéré par une entreprise de récupération spéciale ayant une qualification correspondante autre que celle de l'élimination par combustion, afin de prévenir les dommages à l'environnement ou tout autre préjudice.

! Lorsque vous mettez le réfrigérateur au rebut, démontez les portes et enlevez le joint d'étanchéité de la porte et des clayettes ; placez-les dans un endroit tel qu'elles ne pourront pas piéger d'enfants.



Ce marquage indique que ce produit ne doit pas être jeté avec les autres déchets ménagers. Par mesure de prévention pour l'environnement et pour la santé humaine, veuillez le recycler de façon responsable, conformément au principe de réutilisation des ressources matérielles. Pour retourner votre appareil usagé, veuillez utiliser les systèmes de renvoi et de collecte ou contacter le revendeur auprès duquel vous avez acheté l'appareil. Ils pourront procéder au recyclage de ce produit en toute sécurité.

## 2. CARACTÉRISTIQUES TECHNIQUES

FR

Alimentation	220 - 240 V~, 50 Hz
Intensité nominale	1.1 A
Consommation électrique	177 kWh/a
Classe de protection	Classe I
Classe climatique	SN/N/ST/T
Puissance nominale de la lampe	MAX 4.5 W
Volume total	378 L
Volume du compartiment des aliments frais	216 L
Volume du compartiment réfrigérateur	40 L
Volume du compartiment quatre étoiles	122 L
Réfrigérant et quantité à injecter	R600a / 55 g
Capacité de congélation	7,5 kg / 24h
Dimensions (H x L x l)	2010 x 700 x 595 mm
Poids net	85 kg

## 3. DESCRIPTION DU PRODUIT

### 3.1. PRODUIT

- |   |                              |
|---|------------------------------|
| 1. Lampe LED                            | 5. Bac à viande et à poisson |
| 2. Étagère                              | 6. Tiroir                    |
| 3. Lampe LED<br>(pour certains modèles) | 7. Plateau de porte          |
| 4. Bac à fruits et à légumes            | 8. Interrupteur de porte     |

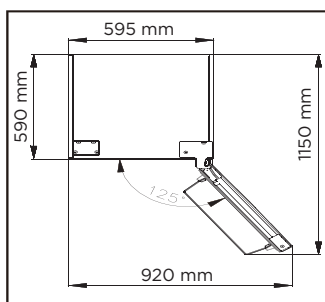
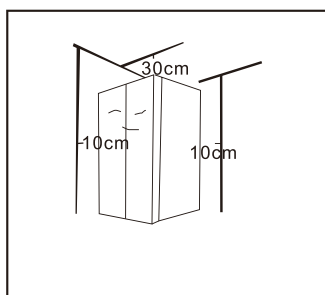
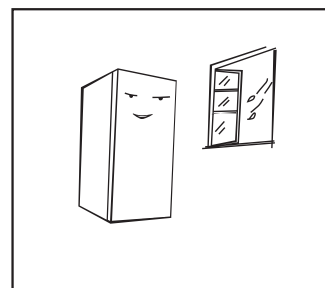
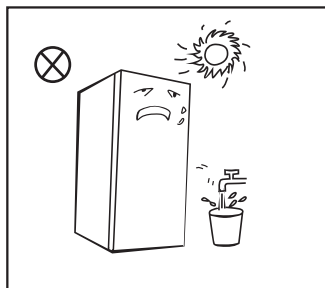
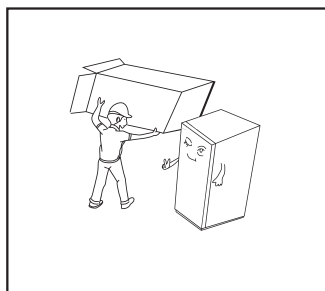
### 3.2. PANNEAU D'AFFICHAGE

- |  |   |
|--|---|
| 1. Zone d'affichage de la température de la chambre de réfrigération | 6. Icône verrouillage                                   |
| 2. Zone d'affichage de la température de la chambre de congélation   | A. Réglage de la température (chambre de réfrigération) |
| 3. Symbole refroidissement rapide                                    | B. Réglage de la température (chambre de congélation)   |
| 4. Symbole congélation rapide  | C. Touche de refroidissement rapide/ congélation rapide |
| 5. Symbole mode vacances   |   |



## 4. INSTALLATION

### 4.1. MISE EN PLACE



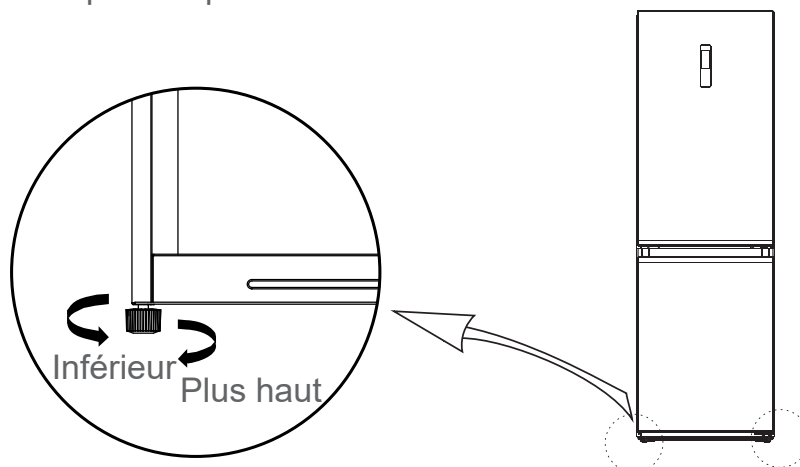
- Avant l'utilisation, retirez tous les matériaux d'emballage, y compris les rembourrages de fond, les coussins en mousse et les rubans adhésifs à l'intérieur du réfrigérateur ; déchirez le film protecteur sur les portes et sur la carrosserie du réfrigérateur.
- Veuillez laisser les matériaux d'emballage et les autres pièces hors de portée des enfants pour éviter tout risque de suffocation.
- Tenez-le à l'écart de la chaleur et évitez toute exposition directe au soleil. Ne placez pas le congélateur dans des endroits humides ou aqueux pour éviter la formation de rouille ou la réduction de l'effet isolant.
- Ne pulvérisez pas et ne lavez pas le réfrigérateur ; ne le placez pas dans des endroits humides susceptibles d'être aspergés d'eau afin de ne pas affecter les propriétés d'isolation électrique du réfrigérateur.
- Le réfrigérateur est placé dans un endroit intérieur bien ventilé ; le sol doit être plat et solide (tournez la roulette à gauche ou à droite pour régler la mise à niveau en cas d'instabilité).
- Ce réfrigérateur doit être installé indépendamment et ne peut pas être utilisé comme un appareil encastré. Dans le cas contraire, il causera des problèmes tels que l'impossibilité de l'installer dans l'armoire, la réduction des performances et de la durée de vie du produit. En outre, le fabricant n'offre pas de garantie de base sur le produit.
- L'espace au-dessus du réfrigérateur doit faire plus de 30 cm, et celui-ci doit être placé contre un mur avec un dégagement de plus de 10 cm pour faciliter la dissipation de la chaleur.
- Prévoyez suffisamment d'espace pour une ouverture pratique des portes et des tiroirs.

#### ! Précautions à prendre avant l'installation :

- Avant l'installation ou l'ajout d'accessoires, assurez-vous que le réfrigérateur est débranché.
- Des précautions doivent être prises pour éviter que la chute de la poignée ne provoque des blessures.

## 4.2. PIEDS DE MISE À NIVEAU

Diagramme schématique des pieds de mise à niveau :



**Remarque :** L'illustration ci-dessus ne sert que de référence. La configuration réelle dépendra du produit physique ou de la déclaration du distributeur.

### Procédures d'ajustement :

1. Tournez le pied dans le sens des aiguilles d'une montre pour surélever le réfrigérateur ;
2. Tournez les pieds dans le sens inverse des aiguilles d'une montre pour abaisser le réfrigérateur ;
3. Réglez les pieds droit et gauche en fonction des procédures ci-dessus de manière à obtenir un niveau horizontal.

## 4.3. INVERSION DU SENS D'OUVERTURE DE LA PORTE

Outils requis :

	Tournevis cruciforme		Couteau à mastic et tournevis à lame fine
	Clé à cliquet et douille de 5/16"		Ruban cache

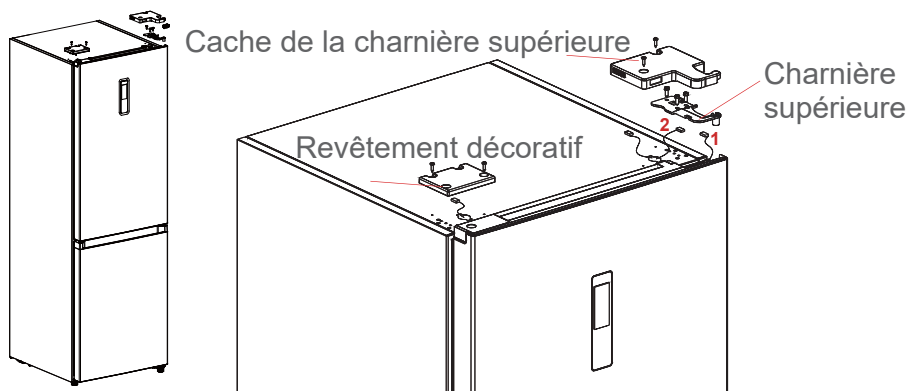
**Remarque :** Les outils ci-dessus ne sont pas fournis.

### Pièces à utiliser pour l'inversion de la porte :

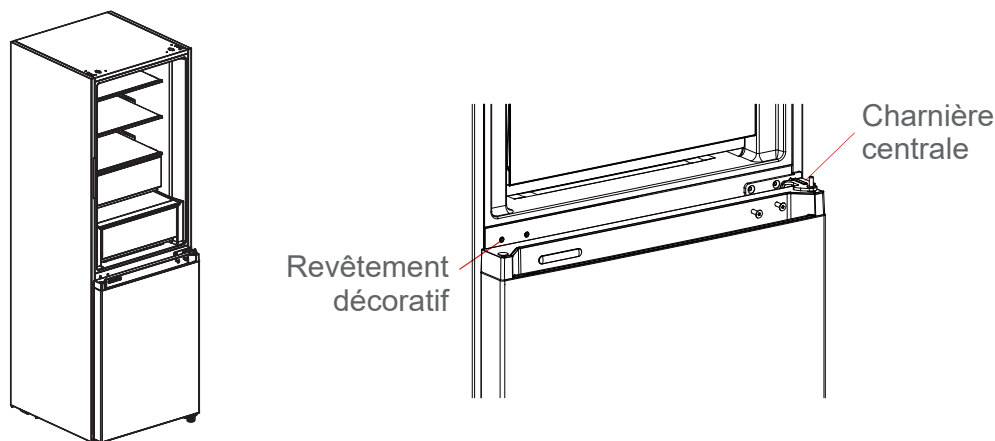
N°	Pièce	Quantité	Remarque
1	Charnière supérieure	1	Préalablement installée sur le réfrigérateur, elle est enlevée et conservée lors de l'inversion de la porte
2	Cache de la charnière supérieure	1	Préalablement installée sur le réfrigérateur, elle est enlevée et conservée lors de l'inversion de la porte
3	Revêtement décoratif	1	Préalablement installée sur le réfrigérateur, elle est enlevée et conservée lors de l'inversion de la porte
4	Verrouillage automatique de la porte	2	Préalablement installée sur le réfrigérateur, elle est enlevée et conservée lors de l'inversion de la porte

5	Charnière centrale	1	Préalablement installée sur le réfrigérateur, elle s'utilise lors de l'inversion de la porte
6	Revêtement décoratif	1	Préalablement installée sur le réfrigérateur, elle s'utilise lors de l'inversion de la porte
7	Charnière inférieure	1	Préalablement installée sur le réfrigérateur, elle s'utilise lors de l'inversion de la porte
8	Pieds de mise à niveau	1	Préalablement installée sur le réfrigérateur, elle s'utilise lors de l'inversion de la porte
9	Charnière supérieure gauche	1	Elles se trouvent dans le sac en plastique joint et peuvent être utilisées lorsque la porte est inversée
10	Cache de charnière supérieure gauche	1	Elles se trouvent dans le sac en plastique joint et peuvent être utilisées lorsque la porte est inversée
11	Porte à verrouillage automatique gauche	2	Elles se trouvent dans le sac en plastique joint et peuvent être utilisées lorsque la porte est inversée
12	Couvercle plastique coté droit	1	Elles se trouvent dans le sac en plastique joint et peuvent être utilisées lorsque la porte est inversée

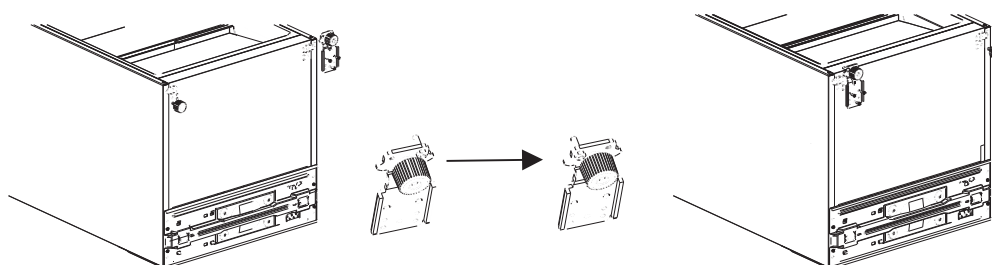
1. Mettez cet appareil hors tension avant d'effectuer cette opération. Retirez tous les aliments des étagères de la porte.
2. Enlevez le revêtement décoratif du cache de charnière supérieure gauche, le cache de charnière supérieure droite et la charnière supérieure droite, et déconnectez le câble à droite (borne de câble 1, 2) en haut de la carrosserie du boîtier.



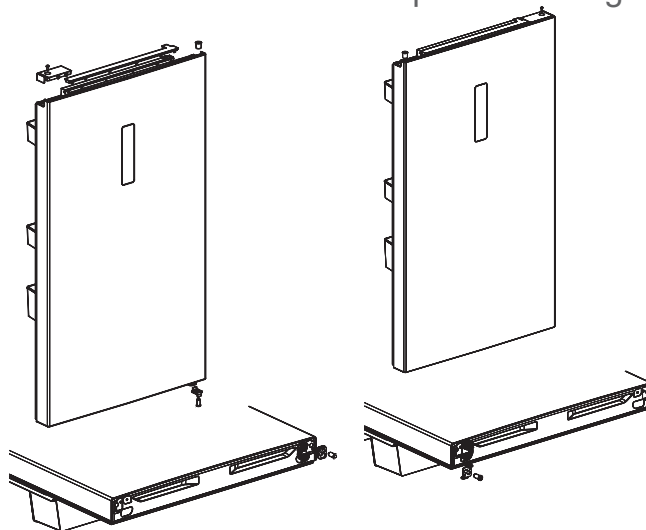
3. Enlevez la porte du réfrigérateur (veiller à ne pas perdre les petites pièces telles que la tige de charnière et la butée de la porte) ;  
Enlevez la charnière centrale et le revêtement décoratif du trou de la charnière situé de l'autre côté.



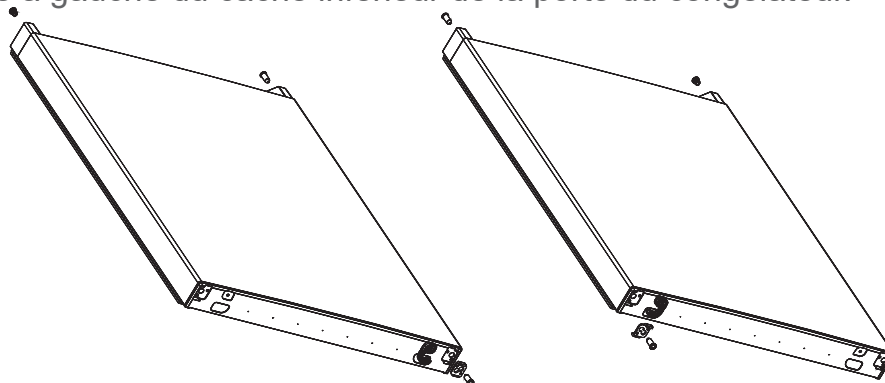
4. Enlevez la porte du congélateur (veillez à ne pas perdre les petites pièces telles que la tige de charnière et la butée de la porte) ;  
 Enlevez la charnière et ajustez son angle. Enlevez et fixez la tige de charnière inférieure de l'autre côté de la charnière, et installez la nouvelle charnière inférieure de l'autre côté du boîtier.



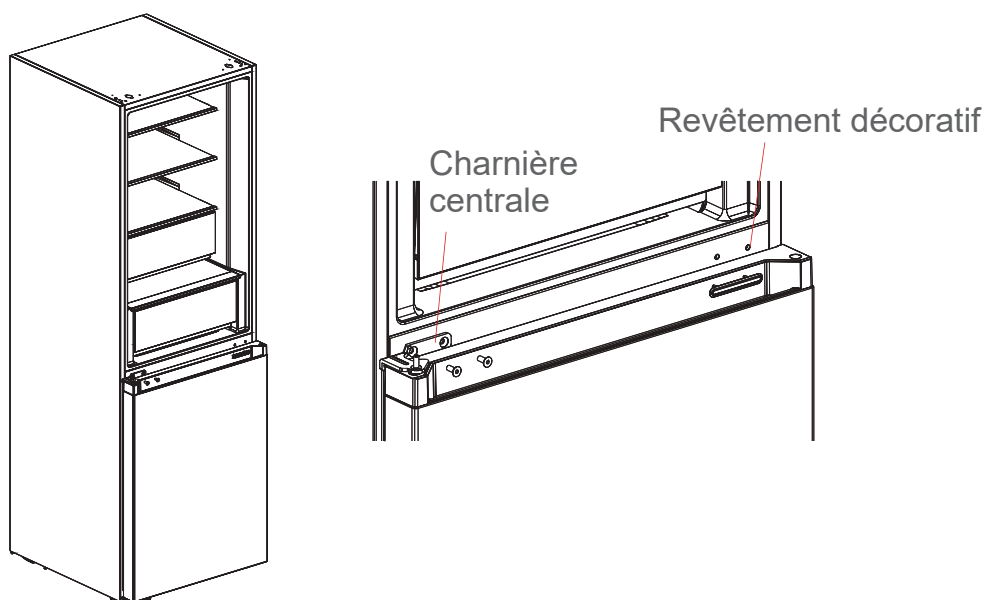
5. Changer la porte du réfrigérateur :
- 1) Enlevez la plaque du cache supérieur de la porte du réfrigérateur et le revêtement décoratif gauche.  
 Fixez la tige de charnière supérieure et la ligne de signal de la carrosserie de la porte de l'autre côté et recouvrez la plaque du cache supérieur. Sortez le revêtement décoratif situé à droite du sac d'accessoires et installez-le de l'autre côté du cache supérieur.
  - 2) Retirez le joint, la butée et le cache charnière de la porte du réfrigérateur, sortez le joint gauche de la porte du sac d'accessoires, installez-le à gauche du cache inférieur de la porte du réfrigérateur, changez la butée et la tige de charnière à gauche du cache inférieur de la porte du réfrigérateur.



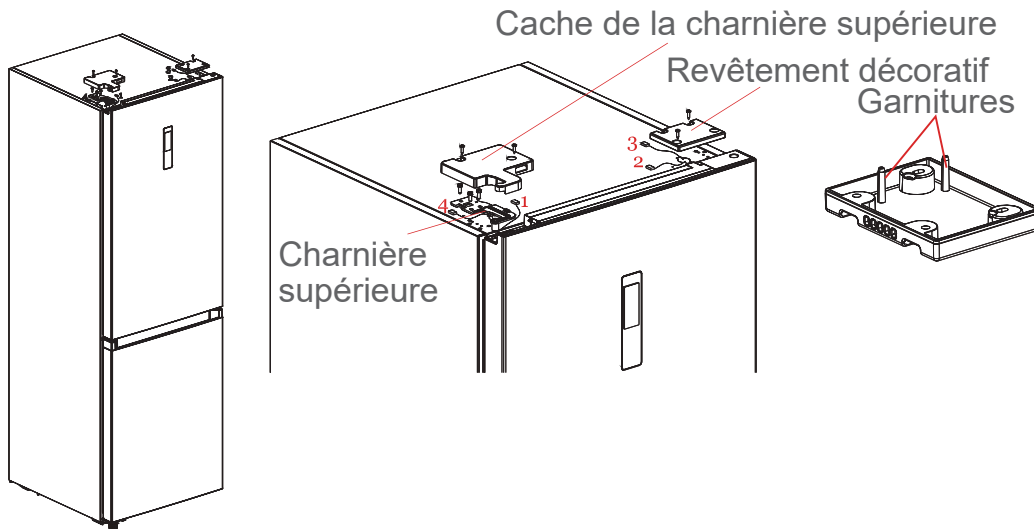
6. Changer la porte du congélateur :
- 1) Retirez la tige de charnière et le capuchon du cache supérieur de la porte du congélateur et installez-les aux emplacements gauche et droit correspondants.
  - 2) Retirez le joint, la butée et la tige de charnière de la porte du congélateur, sortez le joint gauche de la porte du sac d'accessoires, installez-le à gauche du cache inférieur de la porte du congélateur, remplacez la butée et le cache charnière à gauche du cache inférieur de la porte du congélateur.



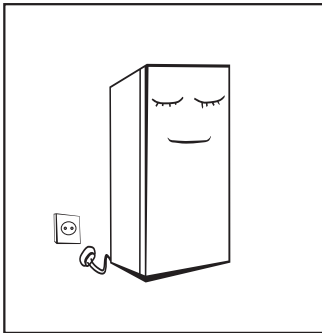
7. Posez la nouvelle porte sur la charnière inférieure, puis installez la charnière centrale et fermez le revêtement décoratif du trou de la charnière.



8. Sortez le cache charnière supérieure gauche et la charnière supérieure gauche du sac d'accessoires. Placez la porte du réfrigérateur sur la charnière centrale et installez la charnière supérieure gauche. Connectez le câble 4 de la partie supérieure du réfrigérateur au câble 1 de la porte, et connectez le câble 2 au câble 3. Enfin, remplacez le revêtement décoratif de la charnière à droite de la carrosserie du boîtier. Lorsque vous remplacez le revêtement décoratif de la charnière à droite de la carrosserie du boîtier, vous devez retirer les deux garnitures du revêtement décoratif de la charnière (comme indiqué sur l'image).



#### 4.4. MISE EN SERVICE



- Avant la première mise en service, le réfrigérateur doit rester immobile pendant plus de deux heures avant d'être raccordé à l'alimentation électrique, faute de quoi la capacité de refroidissement diminuera ou le produit sera endommagé.
- Avant de mettre des aliments frais ou congelés, le réfrigérateur doit avoir fonctionné pendant 2 à 3 heures, ou pendant plus de 4 heures en été lorsque la température ambiante est élevée.

## 5. UTILISATION

### 5.1. RÉGLAGE DE TEMPÉRATURE RECOMMANDÉ

Chambre de réfrigération 4 °C, chambre de congélation -18 °C.

### 5.2. CHAMBRE DE RÉFRIGÉRATION

- La chambre de réfrigération est adaptée à la conservation d'une variété de fruits, de légumes, de boissons et d'autres aliments consommés à court terme. La durée de conservation suggérée est de 3 à 5 jours.
- Les aliments chauds ne doivent pas être placés dans la chambre de réfrigération avant d'avoir été refroidis à la température ambiante.
- Il est recommandé de bien emballer les aliments avant de les mettre au réfrigérateur.
- Les étagères en verre peuvent être ajustées vers le haut ou vers le bas pour offrir un espace de rangement raisonnable et faciliter l'utilisation.

**Remarque :** Les tiroirs, les bacs à aliments, les étagères, etc., disposés conformément à la position indiquée sur l'image de description de l'appareil, sont les plus efficaces sur le plan énergétique.

### 5.3. CHAMBRE DE CONGÉLATION


- La chambre de congélation fonctionnant à basse température permet de conserver les aliments frais pendant une longue période. Elle est principalement utilisée pour conserver les aliments congelés et produire de la glace.
- La chambre de congélation convient à la conservation de la viande, du poisson, des boulettes de riz et d'autres aliments qui ne doivent pas être consommés à court terme.
- De préférence, les morceaux de viande doivent être divisés en petits morceaux afin d'en faciliter l'accès. Veuillez noter que les aliments doivent être consommés dans les délais impartis.

#### Durées de conservation recommandées pour les aliments congelés dans les compartiments de congélation

Ces durées varient en fonction du type d'aliment. Les aliments que vous congélez se conservent pendant 1 à 12 mois (minimum à -18°C).

Aliment	Durée de conservation
Bacon, ragoûts, lait	1 mois
Pain, glaces, saucisses, tartes, crustacés préparés, poissons gras	2 mois
Poissons non gras, crustacés, pizzas, scones et muffins	3 mois
Jambon, gâteaux, biscuits, côtelettes de bœuf et d'agneau, morceaux de volaille	4 mois
Beurre, légumes (blanchis), œufs entiers et jaunes, écrevisses cuites, viande hachée (cru), porc (cru)	6 mois
Fruits (secs ou au sirop), blancs d'œufs, bœuf (cru), poulet entier, agneau (cru), gâteaux aux fruits	12 mois

## 5.4. ÉCRAN

- Lors de la première mise en service du réfrigérateur, l'écran d'affichage entier s'illumine pendant 3 secondes, puis il passe à l'affichage normal. Lorsque de la première utilisation du réfrigérateur, les températures par défaut de la chambre de réfrigération et de la chambre de congélation sont respectivement de 2 °C et de -24 °C.
- Quand une erreur se produit, l'écran affiche le code d'erreur (voir « Indication d'erreur ») ; en fonctionnement normal, l'écran affiche la température de consigne de la chambre de réfrigération et de la chambre de congélation.
- En fonctionnement normal, si aucune opération n'est effectuée dans les 30 secondes, l'écran d'affichage se verrouille. Le voyant du panneau d'affichage s'éteint lorsque le mode verrouillé  se poursuit pendant 30 secondes.

## 5.5. VEROUILLER/DÉVEROUILLER

- Lorsque l'appareil est déverrouillé, appuyez sur la **touche super-cool/ super-freezer (C)** et maintenez-la enfoncée pendant 3 secondes pour passer en mode verrouillé et la sonnerie de verrouillage retentit.
- Lorsque l'appareil est verrouillé, appuyez sur la **touche rsuper-cool/ super-freezer (C)** et maintenez-la enfoncée pendant 3 secondes pour passer en mode verrouillé et la sonnerie de déverrouillage retentit.

Après 30 secondes d'inactivité, l'appareil passe automatiquement en mode verrouillé et la sonnerie de verrouillage retentit en même temps.

En mode verrouillé, la seule opération possible consiste à déclencher l'alarme. Toute autre opération sur une touche est interdite et déclenche un signal sonore d'erreur.

## 5.6. RÉGLAGE DE LA TEMPÉRATURE DE LA CHAMBRE DE RÉFRIGÉRATION

Appuyez sur la touche de réglage de la température **(A)** pour modifier la température de la chambre de réfrigération ; chaque pression sur la touche diminue la température de 1 °C. La plage de réglage de la température de la chambre froide est comprise entre 2 et 8 °C. Lorsque la température de consigne est de 2 °C, une nouvelle pression sur le bouton **(A)** fait passer la température de la chambre froide à 8 °C.

## 5.7. RÉGLAGE DE LA TEMPÉRATURE DE LA CHAMBRE DE CONGÉLATION

Appuyez sur la touche de réglage de la température **(B)** pour modifier la température de la chambre de congélation ; chaque pression sur la touche diminue la température de 1 °C. La plage de réglage de la température de la chambre de réfrigération est comprise entre -24 et -16 °C. Lorsque la température de consigne est de -24 °C, une nouvelle pression sur le bouton **(B)** fait passer la température de la chambre de congélation à -16 °C.

## 5.8. RÉGLAGE DES MODES

Appuyez sur le bouton de réglage de la température **(A)** et maintenez-le enfoncé pendant 3 s pour régler/annuler le mode vacances.

Lorsque le mode vacances est activé, la chambre de réfrigération s'éteint, la zone d'affichage de la température de réfrigération s'éteint et la chambre de congélation est automatiquement réglée sur -18 °C.

L'actionnement de la touche Congélation ou de la touche réfrigération rapide/ congélation rapide permet de quitter le mode vacances. La chambre de réfrigération et la chambre de congélation reviennent alors automatiquement à la température que vous avez définie avant le mode vacances.

L'appareil passe alors en mode normal.

Le réglage de la température n'est effectif qu'après le passage en mode de verrouillage.



## 5.9. MODE DE CONGÉLATION RAPIDE

Appuyez plusieurs fois sur la touche **(C)** refroidissement rapide/congélation rapide pour passer d'un mode à l'autre dans l'ordre suivant : refroidissement rapide-> congélation rapide -> annulation. Lorsqu'un mode est réglé ou annulé, le symbole de refroidissement rapide/congélation rapide correspondant s'allume ou s'éteint.

- En mode de refroidissement rapide, la chambre de réfrigération est automatiquement réglée sur 2 °C ;
- En mode de congélation rapide, la chambre de congélation est automatiquement réglée sur -24 °C ;
- Lorsque vous quittez le mode de refroidissement rapide/congélation rapide, la chambre de réfrigération/congélation revient automatiquement à la température que vous aviez définie auparavant.
- Le mode de refroidissement rapide est automatiquement désactivé après environ 4,5 heures de fonctionnement et le mode de congélation rapide est automatiquement désactivé après environ 25 heures de fonctionnement.

**Remarque :** La fonction congélation rapide est conçue pour maintenir la valeur nutritionnelle des aliments conservés au congélateur. Elle permet de congeler les aliments en un temps record. Si une grande quantité d'aliments doit être congelée en une seule fois, il est recommandé à l'utilisateur d'activer la fonction de congélation rapide et de placer les aliments dans le congélateur. À ce moment, la vitesse de congélation du compartiment congélateur est augmentée, ce qui permet de congeler rapidement les aliments et de préserver efficacement leur valeur nutritive.

## 5.10. ALARME PORTE OUVERTE

Si la porte du réfrigérateur reste ouverte pendant 120 secondes, le buzzer sonne jusqu'à ce que la porte du réfrigérateur soit refermée ; vous pouvez appuyer sur n'importe quelle touche pour couper l'alarme du buzzer.

## 5.11. INDICATION DE PANNE

Les codes d'erreur ci-dessous, qui apparaissent sur le panneau d'affichage, indiquent les pannes du réfrigérateur.

Bien que le réfrigérateur puisse encore garder les aliments au froid dans les cas de panne suivants, l'utilisateur doit contacter un spécialiste pour l'entretien, afin d'assurer un fonctionnement optimal de l'appareil.

Code d'erreur	Description des pannes
E1	Panne de la sonde de température de la chambre réfrigérée
E2	Panne de la sonde de température de la chambre de congélation
E3	Panne du capteur de température du compartiment viande et poisson
E5	Erreur du circuit de détection du capteur de congélation et dégivrage
E6	Erreur de communication
E7	Erreur du capteur de la température ambiante

## 5.12. CONSEILS RELATIFS À LA CONSERVATION DES ALIMENTS

- Les viandes et poissons cuisinés devraient être conservés sur une étagère située au-dessus des viandes/poissons crus pour éviter toute contamination bactérienne. Conservez les viandes/poissons crus dans un contenant suffisamment grand pour retenir les jus, et recouvrez-le correctement. Placez le contenant sur l'étagère la plus basse.

- Laissez de l'espace entre vos aliments, pour permettre à l'air de circuler à l'intérieur de l'appareil. Assurez-vous que toutes les parties de l'appareil restent froides.
- Pour éviter un transfert des saveurs ou un dessèchement des aliments, emballez ou recouvrez séparément la nourriture. Les fruits et légumes n'ont pas besoin d'être emballés.
- Laissez toujours refroidir les aliments précuits avant de les mettre dans l'appareil. Cela permettra de maintenir la température interne de l'appareil.
- Pour éviter que l'air froid ne s'échappe de l'appareil, essayez de limiter le nombre de fois où vous ouvrez la porte. Nous vous recommandons de n'ouvrir la porte que lorsque vous devez y mettre des aliments ou en sortir.

### 5.13. CONSEILS RELATIFS À L'ÉCONOMIE D'ÉNERGIE

- L'appareil doit être placé à l'endroit le plus frais de la pièce, loin des appareils dégageant de la chaleur ou des conduits de chauffage, et à l'abri de la lumière directe du soleil.
- Laissez les aliments chauds refroidir jusqu'à atteindre la température ambiante avant de les placer dans l'appareil. Surcharger l'appareil force le compresseur à fonctionner plus longtemps. Les aliments qui se refroidissent trop lentement peuvent perdre de leur qualité ou se gâter.
- Assurez-vous d'emballer les aliments correctement, et essuyez les contenants pour qu'ils soient secs avant de les placer dans l'appareil. Cette action permet de réduire la quantité de glace qui s'accumule dans l'appareil.
- Le bac de rangement de l'électroménager ne devrait pas être recouvert de papier aluminium, de papier ciré ou de papier absorbant. Ces revêtements interfèrent avec la circulation de l'air froid et réduisent l'efficacité de l'appareil.
- Organisez et étiquetez la nourriture afin de réduire le temps d'ouverture de la porte et de recherche des aliments. Retirez autant d'articles que nécessaire en une seule fois, et fermez la porte dès que possible.
- La combinaison des tiroirs, paniers et clayettes illustrée dans la description de l'appareil est optimale pour réaliser des économies d'énergie efficaces. Changer la combinaison proposée pourrait modifier l'efficacité.
- Essayez de ne pas ouvrir la porte trop souvent, surtout lorsqu'il fait chaud et humide. Une fois la porte ouverte, refermez-la aussi vite que possible.
- De temps en temps, vérifiez que l'appareil est suffisamment aéré (circulation d'air suffisante à l'arrière de l'appareil).
- Dans des conditions de température normales, veuillez régler le thermostat sur le réglage intermédiaire.
- Avant de mettre des aliments frais dans l'appareil, assurez-vous qu'ils ont refroidi jusqu'à atteindre la température ambiante.
- Les couches de glace augmentent la consommation d'énergie, nettoyez donc l'appareil aussitôt que la couche atteint 3 à 5 mm d'épaisseur.

## 6. ENTRETIEN ET NETTOYAGE

### 6.1. NETTOYAGE GÉNÉRAL

⚠ Veuillez débrancher le réfrigérateur pour le dégivrage et le nettoyage.

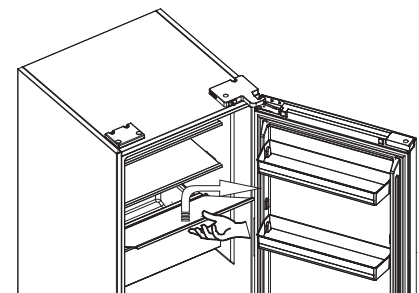
- Il convient de nettoyer en temps utile la poussière derrière le réfrigérateur et sur le sol afin d'améliorer l'effet de refroidissement et les économies d'énergie.
- Vérifiez régulièrement le joint de la porte pour vous assurer qu'il n'y a pas de débris. Nettoyez le joint de porte avec un chiffon doux imbibé d'eau savonneuse ou de détergent dilué.
- L'intérieur du réfrigérateur doit être nettoyé régulièrement pour éviter les odeurs.
- Veuillez éteindre l'appareil avant de nettoyer l'intérieur, retirez tous les aliments, boissons, clayettes, tiroirs, etc.
- Utilisez un chiffon doux ou une éponge pour nettoyer l'intérieur du réfrigérateur, avec deux cuillères à soupe de bicarbonate de soude et un litre d'eau chaude. Rincez ensuite à l'eau et essuyez. Après le nettoyage, ouvrez la porte et laissez sécher naturellement avant de remettre l'appareil sous tension.
- Pour les zones difficiles à nettoyer dans le réfrigérateur (telles que les parties étroites en sandwich, les interstices ou les coins), il est recommandé de les essuyer régulièrement à l'aide d'un chiffon doux, d'une brosse douce, etc. et, si nécessaire, de les combiner avec certains outils auxiliaires (tels que des bâtonnets fins) afin de garantir l'absence de contaminants ou d'accumulation bactérienne dans ces zones.
- N'utilisez pas de savon, de détergent, de produit de récurage, de nettoyant en spray, etc., car ils peuvent provoquer des odeurs à l'intérieur du réfrigérateur ou contaminer les aliments.
- Nettoyez le porte-bouteilles, les clayettes et les tiroirs avec un chiffon doux imbibé d'eau savonneuse ou de détergent dilué. Séchez avec un chiffon doux ou laissez sécher naturellement.
- Essuyez la surface extérieure du réfrigérateur avec un chiffon doux imbibé d'eau savonneuse, de détergent dilué, etc. et essuyez-le ensuite.
- N'utilisez pas de brosses dures, d'éponges de nettoyage en acier, de brosses métalliques, d'abrasifs (comme les dentifrices), de solvants organiques (comme l'alcool, l'acétone, l'huile de banane, etc.), d'eau bouillante, d'articles acides ou alcalins, qui pourraient endommager la surface et l'intérieur de la fontaine. L'eau bouillante et les solvants organiques tels que le benzène peuvent déformer ou endommager les pièces en plastique.
- Ne rincez pas directement avec de l'eau ou d'autres liquides pendant le nettoyage pour éviter les courts-circuits ou affecter l'isolation électrique après l'immersion.



FR

### 6.2. NETTOYAGE DE L'ÉTAGÈRE EN VERRE

- Retirez les tiroirs de l'étagère en verre ;
- Soulevez l'avant du plateau de l'étagère en verre (environ 60°), puis retirez-le ;
- Retirez le plateau de l'étagère en verre et nettoyez-le si nécessaire ;
- Pour remettre le plateau de l'étagère en verre en place, il suffit d'effectuer le mouvement inverse.



### 6.3. DÉGIVRAGE

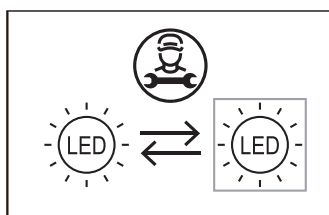
- Le réfrigérateur est conçu à partir du principe de refroidissement de l'air, et comprend donc une fonction de dégivrage automatique. La glace qui s'est formée à cause d'un changement de saison ou de température peut également être enlevée manuellement en débranchant l'appareil de l'alimentation secteur, ou en l'essuyant avec une serviette propre.

### 6.4. HORS SERVICE

- Panne de courant : En cas de panne de courant, même en été, les aliments à l'intérieur de l'appareil peuvent être conservés pendant plusieurs heures ; pendant la panne de courant, les temps d'ouverture de la porte seront réduits, et aucun aliment frais ne sera plus introduit dans l'appareil.
- Non-utilisation pendant une longue période : L'appareil doit être débranché puis nettoyé ; les portes doivent ensuite être laissées ouvertes pour éviter les odeurs.
- Déplacement : Avant de déplacer le réfrigérateur, sortez tous les objets se trouvant à l'intérieur, fixez les cloisons en verre, le porte-légumes, les tiroirs de la chambre de congélation, etc. avec du ruban adhésif et serrez les pieds de mise à niveau ; fermez les portes et fixez-les avec du ruban adhésif. Pendant le déplacement, l'appareil ne doit pas être posé à l'envers ou à l'horizontale ni être secoué ; l'inclinaison pendant le déplacement ne doit pas être supérieure à 45°. Ne tenez pas la porte et la charnière lorsque vous déplacez cet appareil.

**!** L'appareil doit fonctionner en continu une fois qu'il a été mis en marche. En général, le fonctionnement de l'appareil ne doit pas être interrompu, sinon sa durée de vie peut être altérée.

### 6.5. CHANGEMENT DE LA LAMPE



- Tout remplacement ou entretien des lampes LED doit être effectué par le fabricant, son agent d'entretien ou une personne qualifiée comparable.

Le remplacement de la lampe de cet appareil ne doit se faire que par des ingénieurs qualifiés.

	<p>1. Débrancher la fiche avant de la retirer.</p>		<p>2. Enlevez l'abat-jour à l'aide d'un tournevis.</p>
	<p>3. Démontez le panneau de la lampe.</p>		<p>4. Retirez la borne de raccordement.</p>

## 7. DÉPANNAGE

Vous pouvez essayer de résoudre tout seul les problèmes simples suivants. S'ils ne peuvent être résolus, veuillez contacter le service après-vente.

FR

Problème	Solution recommandée
Fonctionnement défectueux	Vérifiez si l'appareil est branché sur le secteur ou si la fiche est bien mise Vérifiez si la tension est trop faible Vérifiez s'il y a une panne de courant ou si des circuits partiels se sont déclenchés
Odeur	Les aliments odorants doivent être emballés hermétiquement Vérifiez s'il n'y a pas d'aliments pourris L'intérieur du réfrigérateur doit être nettoyé
Fonctionnement longue durée du compresseur	Il est normal que le réfrigérateur fonctionne plus longtemps en été lorsque la température ambiante est plus élevée Ne mettez pas trop d'aliments dans l'appareil à la fois Ne mettez pas les aliments avant qu'ils ne soient refroidis Les portes sont ouvertes trop fréquemment
La lumière ne s'allume pas	Vérifiez si le réfrigérateur est branché à l'alimentation électrique et si la lumière est endommagée Faites remplacer la lampe par un spécialiste si elle est endommagée
Les portes ne peuvent pas être correctement fermées	La porte est bloquée par des emballages de nourriture Une trop grande quantité de nourriture a été mise Le réfrigérateur est incliné
Bruit fort	Vérifiez si le sol est horizontal et si le réfrigérateur est placé de manière stable Vérifiez si les accessoires sont placés aux bons endroits
Le joint de la porte n'est pas étanche	Enlevez les corps étrangers sur le joint de la porte Chauffez le joint de porte puis refroidissez-le pour le restaurer (ou séchez-le avec un sèche-cheveux électrique ou utilisez une serviette chaude pour le chauffer)
Le bac à eau déborde	Il y a trop d'aliments dans le compartiment ou les aliments conservés contiennent trop d'eau, ce qui entraîne un dégivrage trop important Les portes ne sont pas correctement fermées, ce qui entraîne un givrage dû à l'entrée d'air et une augmentation de l'eau due au dégivrage
Boîtier chaud	Dissipation de la chaleur du condenseur intégré via le boîtier, ce qui est normal Assurez une ventilation suffisante pour faciliter la dissipation de la chaleur lorsque le boîtier devient chaud en raison d'une température ambiante élevée, de la conservation d'une trop grande quantité de nourriture ou de l'arrêt du compresseur
Condensation en surface	La condensation sur la surface extérieure et les joints de porte du réfrigérateur est normale lorsque l'humidité ambiante est trop élevée. Il suffit d'essuyer le condensat avec une serviette propre
Bruit inhabituel	Bourdonnement : Le compresseur peut produire des bourdonnements pendant son fonctionnement, et ces bourdonnements sont particulièrement forts au démarrage ou à l'arrêt. C'est un comportement normal Craquement : Le réfrigérant qui circule à l'intérieur de l'appareil peut produire des craquements, ce qui est normal

**Tableau 1 Classes climatiques**

Classe	Symbole	Plage de température ambiante (°C)
Tempérée élargie	SN	+10 à +32
Tempérée	N	+16 à +32
Subtropicale	ST	+16 à +38
Tropicale	T	+16 à +43

Tempérée élargie : indique que ce réfrigérateur est destiné à être utilisé à des températures ambiantes comprises entre 10 et 32 °C.

Tempérée : indique que ce réfrigérateur est destiné à être utilisé à des températures ambiantes comprises entre 16 et 32 °C.

Subtropicale : indique que ce réfrigérateur est destiné à être utilisé à des températures ambiantes comprises entre 16 et 38 °C.

Tropicale : indique que ce réfrigérateur est destiné à être utilisé à des températures ambiantes comprises entre 16 et 43 °C.

Les pièces commandées dans le tableau suivant peuvent être acquises par le biais du canal \_\_\_\_\_ :

Pièce commandée	Fourni par	Temps minimum requis pour la livraison
thermostats	Personnel d'entretien professionnel	Au moins 7 ans après le lancement du dernier modèle sur le marché
sondes de température	Personnel d'entretien professionnel	Au moins 7 ans après le lancement du dernier modèle sur le marché
cartes de circuits imprimés	Personnel d'entretien professionnel	Au moins 7 ans après le lancement du dernier modèle sur le marché
sources de lumière	Personnel d'entretien professionnel	Au moins 7 ans après le lancement du dernier modèle sur le marché
poignées de porte	Réparateurs professionnels et utilisateurs finaux	Au moins 7 ans après le lancement du dernier modèle sur le marché
charnières de porte	Réparateurs professionnels et utilisateurs finaux	Au moins 7 ans après le lancement du dernier modèle sur le marché
plateaux	Réparateurs professionnels et utilisateurs finaux	Au moins 7 ans après le lancement du dernier modèle sur le marché
paniers	Réparateurs professionnels et utilisateurs finaux	Au moins 7 ans après le lancement du dernier modèle sur le marché
joints de porte	Réparateurs professionnels et utilisateurs finaux	Au moins 10 ans après le lancement du dernier modèle sur le marché

Le délai le plus court pour la fourniture de pièces de rechange après-vente est de 15 jours ouvrables.

Les informations sur le modèle dans la base de données des produits, ainsi que l'identifiant du modèle, peuvent être obtenus grâce à un lien web scanné par un code QR sur l'étiquette d'efficacité énergétique du produit.

Cher client,

1. Si vous souhaitez retourner ou remplacer le produit, veuillez contacter le magasin où vous achetez.  
(N'oubliez pas d'apporter la facture d'achat)
2. Si votre produit présente un dysfonctionnement et doit être réparé, veuillez contacter le service après-vente.

### Fiche technique du produit concernant (EU) 2019/2019

Si vous souhaitez télécharger la fiche technique de votre appareil, vous pouvez la trouver en ligne.

Rendez-vous sur <https://eprel.ec.europa.eu/> et saisissez l'identifiant du modèle de votre appareil pour télécharger la fiche technique produit.

L'identifiant du modèle de votre appareil se trouve sur la plaque signalétique à l'arrière/à l'intérieur de celui-ci.

### Emballage des aliments surgelés

Pour éviter que les aliments ne perdent leur saveur ou ne se dessèchent, placez-les dans un emballage hermétique.

1. Placez les aliments dans l'emballage.
2. Retirez l'air.
3. Scellez l'emballage.
4. Étiquetez l'emballage avec le contenu et les dates de congélation.

### Emballage approprié :

Film plastique, film tubulaire en polyéthylène, feuille d'aluminium.

Ces produits sont disponibles dans les magasins spécialisés.

### Durées de conservation recommandées pour les aliments surgelés dans le compartiment du congélateur

Ces durées varient en fonction du type d'aliment. Les aliments que vous congelez se conservent de 1 à 12 mois (minimum à -18°C)

Aliments	Durée de conservation
Bacon, ragoûts, lait	1 mois
Pain, crème glacée, saucisses, tartes, crustacés préparés, poissons gras	2 mois
Poissons non gras, crustacés, pizza, scones et muffins	3 mois
Jambon, gâteaux, biscuits, côtes de bœuf et d'agneau, morceaux de volaille	4 mois
Beurre, légumes (blanchis), œufs entiers et jaunes, écrevisses cuites, viande hachée (cru), porc (cru)	6 mois

Fruits (secs ou au sirop), blancs d'œufs, bœuf (cru), poulet entier, agneau (cru), gâteaux aux fruits	12 mois
Fruit (dry or in syrup), egg whites, beef (raw), whole chicken, lamb (raw), fruit cakes	1 month

### N'oubliez jamais :

- Lorsque vous congélez des aliments frais portant une date limite de consommation, vous devez les congeler avant que cette date n'expire.
- Vérifiez que les aliments n'étaient pas déjà congelés. En effet, les aliments congelés complètement décongelés ne doivent pas être recongelés.
- Une fois décongelés, les aliments doivent être consommés rapidement.

### Fabrication de glaçons

Remplissez le bac à glaçons aux 3/4 d'eau potable et placez-le dans le tiroir du congélateur. Si le bac à glaçons est collé au tiroir du congélateur, décollez-le à l'aide d'un outil émoussé uniquement.

Pour décoller les glaçons, tordez légèrement le bac à glaçons ou maintenez-le brièvement sous l'eau.

### Alarme d'ouverture de porte

Si la porte du réfrigérateur reste ouverte pendant environ 120 secondes, l'alarme se déclenche. Pour désactiver l'alarme, vous pouvez fermer la porte ou appuyer sur n'importe quel bouton.

### Bruits de fonctionnement

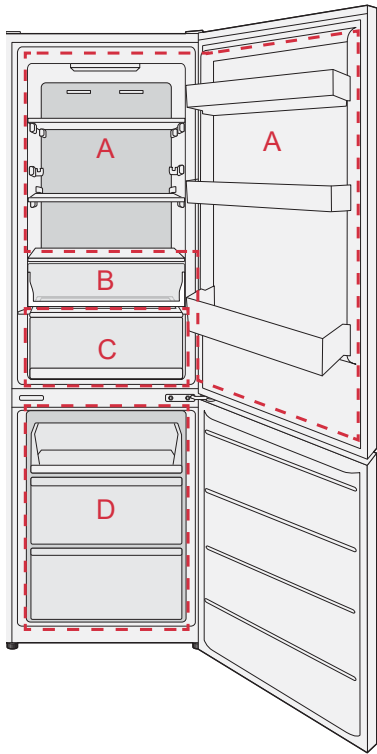
Bruits normaux

Les moteurs fonctionnent. Le réfrigérant circule dans les tuyaux.

### Déplacement du réfrigérateur-congélateur

Débranchez le réfrigérateur-congélateur.

### Conservation d'aliments et de boissons

	Zone	Réglages de température et de rangement recommandés
	A	<b>Réfrigérateur (4°C)</b> - Conservation des aliments de consommation courante, plats, yaourts, sauces, légumes marinés, desserts - Conservation de viande, poisson, charcuterie, raviolis frais, plats cuisinés, restes
	B	<b>Balconnet de porte (4°C)</b> Conservation de boissons, lait, yaourt, œufs et beurre.
	C	<b>Compartment fruits et légumes (4°C)</b>
	D	<b>Réfrigérateur supplémentaire (0°C - 6°C)</b> Stockage de poisson et de viande crue sur le point d'être cuite.
		<b>Congélateur (-18°C)</b> Aliments à conserver à long terme - Tiroir du haut : Conservation d'aliments surgelés et de glaces. - Tiroirs du milieu : pour viande crue, volaille, poisson - Tiroirs du bas : pour légumes surgelés, frites



## 8. GARANTIES

### Garanties et limites de responsabilité

Les produits sont garantis pendant une durée de 36 mois à compter de la date d'achat ou de la date de livraison au domicile du client. Selon les pays, cette garantie se compose de 24 à 36 mois de garantie légale de conformité. Pour les pays qui ne bénéficieraient que de 24 mois de garantie légale de conformité, une garantie commerciale de 12 mois entre en vigueur à l'expiration de la première, et en complément de celle-ci.

FR

### Modalités de Mise en œuvre des garanties

#### Pour la garantie légale de conformité

Nous vous invitons à vous informer auprès de votre distributeur et/ou à vous référer à ses CGVs (Conditions Générales de Vente).

#### Pour la garantie commerciale

Nous vous invitons à rapporter votre produit à l'accueil de votre lieu de vente muni de votre preuve d'achat (tel que le ticket de caisse), du produit et de ses accessoires fournis, avec son emballage d'origine, pour tous pays autre que la France. Pour une prise en charge en France, nous vous invitons à effectuer votre demande sur notre site : <https://auth.sav-login.auchan.fr>. Il est important d'avoir comme information la date d'achat, le modèle et le numéro de série ou d'IMEI (ces informations apparaissent généralement sur le produit, l'emballage ou votre preuve d'achat). Vous devez rapporter le produit avec les accessoires nécessaires à son bon fonctionnement (alimentation, adaptateur, etc.). Dans le cas où votre réclamation est couverte par la garantie, le service après-vente pourra, dans les limites de la législation locale, soit :

- Réparer ou remplacer les pièces défectueuses.
- Échanger le produit retourné avec un produit qui a au moins les mêmes fonctionnalités et qui est équivalent en termes de performance.
- Rembourser le produit au prix d'achat mentionné sur la preuve d'achat.

Les produits réparés ou remplacés peuvent inclure des composants et des équipements nouveaux et/ou reconditionnés.

#### Exclusion de la garantie commerciale :

- Les dommages ou problèmes causés par une utilisation incorrecte, un accident, une altération ou un branchement électrique d'intensité ou de tension inappropriée.
- L'utilisation ou le stockage nuisible à la bonne conservation de l'appareil (oxydation, corrosion), d'utilisation d'énergie, d'emploi ou d'installation non conforme aux prescriptions du constructeur ou de négligences ou de l'utilisation de périphériques, logiciels ou consommables inadaptés.
- L'utilisation professionnelle ou collective, industrielle ou commerciale du produit.
- Les produits modifiés, ceux dont le scellé de garantie ou le numéro de série ont été endommagés, altérés, supprimés ou oxydés.
- Les batteries remplaçables et accessoires sont garantis pour une période de 6 mois.
- La défaillance de la batterie, survenue par un chargement trop long ou par le non-respect des consignes de sécurité expliquées dans la notice.
- Les dommages esthétiques, incluant les rayures, bosses ou vandalisme.
- Les dommages causés par toute intervention effectuée par une personne non agréée.
- Les défauts causés par une usure normale ou dus au vieillissement normal du produit : joints, filtres, accessoires, brosse et flexible d'aspirateur, lampes, lampes de rétroprojecteur, aubes de lave-linge, etc.
- Les mises à jour de logiciel, dues à un changement de paramètres réseau.
- Les dommages provenant d'éléments extérieurs à l'appareil (corps étrangers, insectes, etc.).
- Le contenu des appareils - congélateur, lave-linge...- (denrées, vêtements,...)
- Les défaillances du produit dues à l'utilisation de logiciels tiers pour modifier, changer, adapter ou modifier l'existant.
- Les défaillances du produit dues à l'utilisation sans les accessoires fournis avec le produit ou homologués par le Fabricant.
- Les pièces pour l'usure normale ou dommage d'utilisation : pneu, chambre à air, frein...

Le client doit faire son affaire personnelle de la sauvegarde régulière des données contenues sur son disque dur ou dans la mémoire interne de son appareil, et ce avant tout dépôt. Auchan ne peut être tenu pour responsable de la perte ou de la destruction de données stockées ni des dommages aux logiciels consécutifs notamment à une restauration ou une panne. De même, Auchan n'est pas tenu de vérifier que les cartes SIM / SD soient bien retirées des produits retournés.

Les dispositions ci-dessus ne peuvent en aucun cas réduire ou supprimer : la garantie légale visée ci-dessus, et la garantie commerciale du constructeur, si elle existe (cf. bon de garantie).

# RESUMEN DEL CONTENIDO:

1. INSTRUCCIONES DE SEGURIDAD	P. 50
2. ESPECIFICACIONES TÉCNICAS	P. 56
3. DESCRIPCIÓN DEL PRODUCTO	P. 56
4. INSTALACIÓN	P. 57
5. USO	P. 63
6. MANTENIMIENTO Y LIMPIEZA	P. 67
7. SOLUCIÓN DE PROBLEMAS	P. 69
8. GARANTÍAS	P. 73

ES

## 1. INSTRUCCIONES DE SEGURIDAD

Antes de usar este producto, lea atentamente estas instrucciones y conserve el manual del usuario para futuras consultas.

### 1.1. ADVERTENCIA



Advertencia: ¡Peligro de incendio/materiales inflamables!




1. Este electrodoméstico está diseñado para usarse en aplicaciones domésticas y similares, como áreas de cocina para el personal en tiendas, oficinas y otros entornos de trabajo; casas de campo y por clientes en hoteles, moteles y otros entornos de tipo residencial; ambientes tipo bed and breakfast; catering y aplicaciones no minoristas similares.
2. En caso de que el cable de alimentación esté dañado debe ser reemplazado por el fabricante, el servicio técnico autorizado u otra persona con una cualificación similar para evitar accidentes.
3. No almacene en el aparato sustancias explosivas, como latas de aerosol con propulsores inflamables.
4. El aparato debe ser desenchufado después de utilizarlo y antes de llevar a cabo labores de mantenimiento.
5. Advertencia: Mantenga los orificios de ventilación (del aparato o de la estructura integrada) libres de obstáculos.
6. Advertencia: No utilice aparatos mecánicos ni de otro tipo, que no sean aquellos recomendados por el fabricante, para acelerar el proceso de descongelación.
7. Advertencia: No dañe el circuito refrigerante.
8. El gas refrigerante R600a que contiene el frigorífico es un gas natural. No es peligroso para el medio ambiente, pero sí es combustible. Por tanto, es importante transportar e instalar el frigorífico con cuidado para no dañar los conductos refrigerantes. En caso de una fuga de gas, evite el contacto con llamas o fuego y ventile la habitación.
9. Advertencia: No utilice aparatos eléctricos dentro de los compartimentos de almacenamiento de alimentos, a no ser que se trate de aquellos recomendados por el fabricante.
10. Advertencia: Deseche el refrigerador de acuerdo con las normas locales, ya que utiliza gas y refrigerante inflamables.
11. Advertencia: Al colocar el aparato, asegúrese de que el cable de alimentación no quede atrapado ni esté dañado.

12. Advertencia: No ubique múltiples tomas de corriente portátiles o fuentes de alimentación portátiles en la parte trasera del aparato.
13. No use cables de extensión ni adaptadores sin conexión a tierra (2 clavijas).
14. Peligro: Riesgo de atrapamiento de niños. Antes de desechar su viejo refrigerador o congelador:
  - Retire las puertas.
  - Deje las bandejas en su lugar de modo que los niños no puedan subirse al aparato con facilidad.
15. Se debe desconectar el refrigerador de la fuente de alimentación eléctrica antes de intentar instalar el accesorio.
16. El refrigerante y el ciclopentano de material espumoso que se usan en el aparato son inflamables. Además, cuando se deseche el aparato se debe mantener alejado de cualquier foco de fuego y ser eliminado por una empresa de recogida especial autorizada, y no se debe eliminar por combustión con el fin de evitar daños al medio ambiente o cualquier otro tipo de perjuicio.
17. Para las puertas o las tapas con cerraduras y llaves, es necesario mantener las llaves fuera del alcance de los niños y lejos del aparato de refrigeración para evitar que los niños se queden encerrados en el interior.
18. Para la norma de la UE: Este aparato puede ser utilizado por niños mayores de 8 años y personas con capacidades físicas, sensoriales o mentales reducidas o sin experiencia y conocimiento si se les ha supervisado o instruido sobre el uso del artefacto de una manera segura y entienden los peligros que conlleva. Los niños no deben jugar con el aparato. La limpieza y el mantenimiento por parte del usuario no deben ser realizados por niños sin supervisión. Los niños de 3 a 8 años pueden cargar y descargar aparatos de refrigeración.
19. Para evitar la contaminación de los alimentos, siga estas instrucciones:
  - Abrir la puerta durante periodos prolongados puede provocar un aumento sustancial de la temperatura en los compartimentos del aparato.
  - Limpie periódicamente las superficies que pueden entrar en contacto con alimentos y los sistemas de desagüe accesibles.
  - Limpie los depósitos de agua si no se han usado durante 48 horas: enjuague el sistema de agua conectado a una toma de agua si no se ha extraído agua durante 5 días. (Nota 1)
  - Almacene la carne y el pescado crudos en recipientes apropiados en el refrigerador, de forma que no entren en contacto con otros alimentos ni goteen sobre ellos.
  - Los compartimentos de alimentos congelados de dos estrellas están destinados a almacenar alimentos precongelados, guardar o hacer helados y a hacer cubitos de hielo. (Nota 2)
  - Los compartimentos de una, dos y tres estrellas no son aptos para congelar alimentos frescos. (Nota 3)
  - Para aparatos sin compartimento de 4 estrellas: Este aparato de refrigeración no es adecuado para congelar alimentos. (Nota 4)
  - Si el refrigerador se deja vacío durante mucho tiempo, apáguelo, desescárchelo, límpielo, séquelo y deje la puerta abierta para impedir que aparezca moho en el interior del aparato.
  - Nota 1,2,3,4: Confirme si es aplicable según el tipo de compartimento de su producto.
20. Para un aparato independiente: Este aparato de refrigeración no está diseñado para usarse como aparato integrado.
21. Solo el fabricante, sus técnicos de mantenimiento o personas con cualificaciones similares deben realizar la sustitución o mantenimiento de las lámparas LED. (Véase capítulo 6.5 para la sustitución de la lámpara)
22. Este producto contiene una fuente de luz de clase de eficiencia energética (G)
23. **ADVERTENCIA:** Para evitar riesgos por inestabilidad del aparato, se debe asegurar siguiendo las instrucciones.

- 24. ADVERTENCIA: Conectar únicamente a un suministro de agua potable. (Adecuado para máquina de hacer hielo)
- 25. Para evitar que los niños queden atrapados, manténgalo fuera del alcance de los niños y apartado de congeladores (o frigoríficos). (Apto para productos con cerraduras)

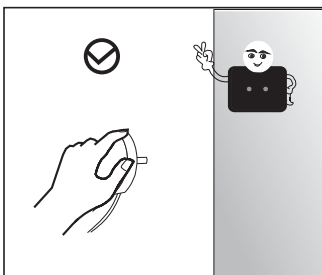
## 1.2. SIGNIFICADO DE LOS SÍMBOLOS DE ADVERTENCIA DE SEGURIDAD

ES

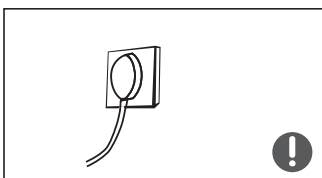
	Este es un símbolo de prohibición. Cualquier incumplimiento de las instrucciones marcadas con este símbolo puede provocar daños en el producto o poner en peligro la seguridad personal del usuario.
	Este es un símbolo de advertencia. Se requiere actuar en estricto cumplimiento de las instrucciones marcadas con este símbolo; o de lo contrario se pueden causar daños en el producto o lesiones personales.
	Este es un símbolo de indicación. Las instrucciones marcadas con este símbolo requieren una precaución especial. La falta de precaución puede provocar lesiones leves o moderadas o dañar el producto.

Este manual contiene mucha información de seguridad importante que los usuarios deben tener en cuenta.

## 1.3. ADVERTENCIAS RELACIONADAS CON LA ELECTRICIDAD



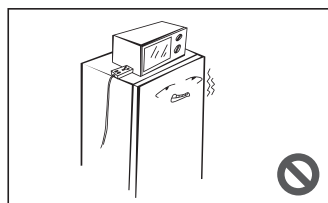
- No tire del cable de alimentación cuando tire del enchufe del refrigerador. Sujete firmemente el enchufe y sáquelo de la toma de corriente directamente.
- Para garantizar un uso seguro, no dañe el cable de alimentación ni utilice el cable de alimentación cuando esté dañado o desgastado.



- Utilice una toma de corriente exclusiva: la toma de corriente no debe compartirse con otros aparatos eléctricos.
- El enchufe de alimentación debe estar firmemente en contacto con la toma de corriente o de lo contrario podrían producirse incendios.
- Asegúrese de que el electrodo de puesta a tierra de la toma de corriente esté equipado con una línea de puesta a tierra fiable.

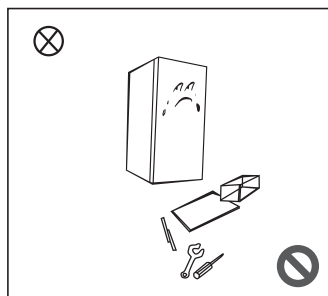


- Cierre la válvula de la fuga de gas y, a continuación, abra las puertas y ventanas en caso de fuga de gas y otros gases inflamables. No desenchufe el refrigerador ni otros aparatos eléctricos, ya que la chispa puede provocar un incendio.

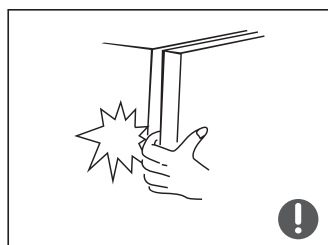


- No utilice aparatos eléctricos encima del aparato, a menos que sean del tipo recomendado por el fabricante.

#### 1.4. ADVERTENCIAS DE USO



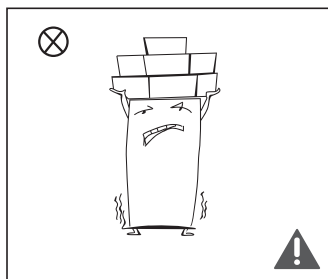
- No desmonte ni reconstruya arbitrariamente el frigorífico, ni dañe el circuito refrigerante; solo un especialista debe realizar el mantenimiento del aparato.
- El cable de alimentación dañado debe ser sustituido por el fabricante, su departamento de mantenimiento o profesionales relacionados para evitar peligros.



- Los espacios entre las puertas del refrigerador y entre las puertas y el cuerpo del refrigerador son pequeños, tenga en cuenta que no debe poner la mano en estas áreas para evitar que los dedos queden atrapados. Tenga cuidado al cerrar la puerta del refrigerador para evitar la caída de productos.
- No agarre alimentos ni recipientes con las manos mojadas en la cámara de congelación cuando el refrigerador esté funcionando, especialmente recipientes de metal para evitar congelaciones.



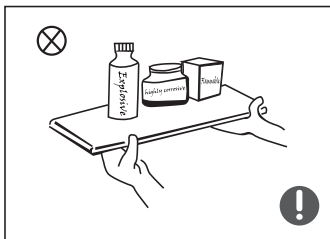
- No permita que ningún niño entre ni suba al refrigerador; de lo contrario, se pueden producir lesiones por asfixia o caída del niño.



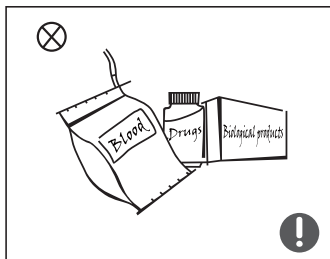
- No coloque objetos pesados en la parte superior del refrigerador, ya que al cerrar o abrir la puerta pueden caer objetos y causar lesiones accidentales.
- Retire el enchufe en caso de corte de energía o limpieza. No conecte el refrigerador a la red eléctrica durante los primeros cinco minutos para evitar daños en el compresor por arranques sucesivos.

## 1.5. ADVERTENCIAS SOBRE LA COLOCACIÓN

ES



- No coloque objetos inflamables, explosivos, volátiles o altamente corrosivos en el frigorífico para evitar daños al producto e incendios.
- No coloque objetos inflamables cerca del frigorífico para evitar incendios.



- El refrigerador está diseñado para uso doméstico, como el almacenamiento de alimentos; no se utilizará para otros fines, como el almacenamiento de sangre, medicamentos o productos biológicos, etc.



- No almacene cerveza, bebidas ni otros líquidos contenidos en botellas o recipientes cerrados en la cámara de congelación del refrigerador; las botellas o los recipientes cerrados pueden romperse debido a la congelación y causar daños.

## 1.6. ADVERTENCIAS SOBRE LA ENERGÍA

1) Es posible que los aparatos de refrigeración no funcionen de manera sistemática (puede ser que se descongele el contenido o que aumente demasiado la temperatura en el compartimento de los alimentos congelados) cuando se encuentra durante un largo período de tiempo por debajo del extremo frío del rango de temperaturas para el que está diseñado el refrigerador.

2) Las bebidas efervescentes no deben almacenarse en el compartimento del congelador ni en el compartimento de baja temperatura, y algunos productos como los helados de hielo no deben consumirse demasiado fríos.

3) No se deben exceder los tiempos de almacenamiento recomendados por los fabricantes de alimentos para cualquier tipo de alimento y, en particular, para alimentos comercialmente congelados rápidamente en congeladores de alimentos y compartimentos o armarios de almacenamiento de alimentos congelados.

4) Tome las precauciones necesarias para evitar un aumento de temperatura indebida de los alimentos congelados mientras descongela el refrigerador, como envolver los alimentos congelados en varias capas de papel de periódico.

5) El aumento de la temperatura de los alimentos congelados durante la descongelación manual, el mantenimiento o la limpieza podría acortar su vida útil.

## 1.7. ADVERTENCIAS SOBRE LA ELIMINACIÓN

⊘ El refrigerante y el material de espuma de ciclopentano utilizados para el refrigerador son inflamables. Por lo tanto, cuando se deseche el frigorífico, se debe mantener alejado de cualquier foco de fuego y debe recogerlo una empresa de recogida especial con la cualificación correspondiente, no se debe eliminar mediante combustión, de forma a evitar daños en el medioambiente o cualquier otro daño.

! A la hora de desechar el frigorífico, desmonte las puertas y retire la junta de la puerta y los estantes; coloque la puerta y los estantes en un lugar adecuado donde ningún niño pueda quedar atrapado.



Este símbolo indica que este producto no se debe eliminar junto con otros desechos domésticos. Con el fin de evitar posibles daños al medio ambiente o a la salud por la eliminación descontrolada de residuos, recíclelo con responsabilidad, promoviendo así una reutilización sostenible de los recursos materiales. La devolución del aparato usado se realiza a través de los sistemas de devolución y recogida o contactando con el establecimiento donde se adquirió el producto. Estos profesionales se encargarán de desechar el aparato de forma sostenible.

## 2. ESPECIFICACIONES TÉCNICAS

Alimentación	220 - 240 V~, 50 Hz
Corriente nominal	1,1 A
Consumo energético	177 kWh/a
Clase de protección	Clase I
Clase climática	SN/N/ST/T
Potencia nominal de la lámpara	Máx. 4,5 W
Volumen total	378 L
Volumen del compartimento de alimentos frescos	216 L
Volumen del compartimento congelador	40 L
Volumen del compartimento de cuatro estrellas	122 L
Refrigerante y cantidad inyectada	R600a/55 g
Capacidad de congelación	7,5 kg/24 h
Dimensiones (al. x la. x an.)	2010 x 700 x 595 mm
Peso neto	85 kg

## 3. DESCRIPCIÓN DEL PRODUCTO

### 3.1. PRODUCTO

- |                                   |                               |
|-----------------------------------|-------------------------------|
| 1. Luz LED                        | 5. Cajón para carne y pescado |
| 2. Estante                        | 6. Cajón                      |
| 3. Luz LED (para algunos modelos) | 7. Bandeja de la puerta       |
| 4. Cajón para frutas y verduras   | 8. Interruptor de la puerta   |

### 3.2. PANEL DE VISUALIZACIÓN

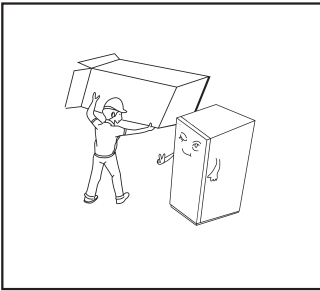
- |  |   |
|--|---|
| 1. Área de visualización de la temperatura de la cámara de refrigeración | 5. Icono de modo vacaciones                               |
| 2. Área de visualización de la temperatura de la cámara de congelación   | 6. Icono de bloqueo                                       |
| 3. Icono de enfriamiento rápido  | A. Botón de ajuste de temperatura (cámara frigorífica)    |
| 4. Icono de congelación rápida   | B. Botón de ajuste de temperatura (cámara de congelación) |
|  | C. Botón superfrío/supercongelación                       |



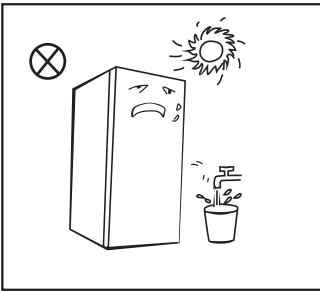
## 4. INSTALACIÓN

### 4.1. COLOCACIÓN

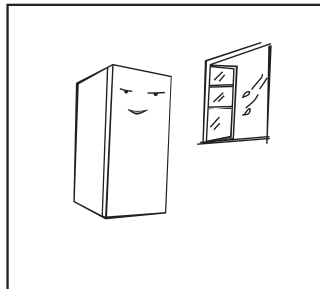
ES



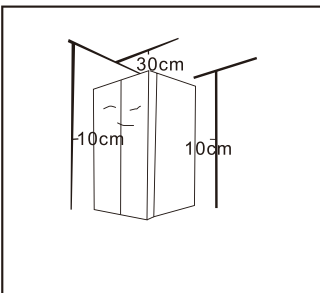
- Antes de su uso, retire todos los materiales de embalaje, incluidas las bandas inferiores, las almohadillas de espuma y las cintas adhesivas del interior del frigorífico. Retire la película protectora de las puertas y del cuerpo del frigorífico.
- Deje los materiales de embalaje y otras piezas fuera del alcance de los niños para evitar el riesgo de asfixia.



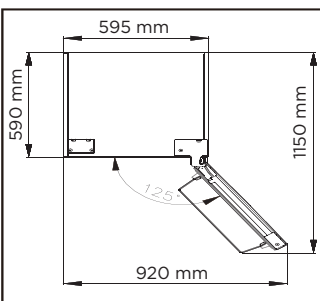
- Se debe mantener alejado del calor y evitar la luz solar directa. No coloque el congelador en lugares húmedos o acuosos para evitar la oxidación o la reducción del efecto aislante.
- No rocíe ni lave el refrigerador; no coloque el refrigerador en lugares húmedos que puedan salpicarse con agua para no afectar las propiedades de aislamiento eléctrico del refrigerador.



- El refrigerador se debe colocar en un lugar interior bien ventilado; el suelo debe ser plano y resistente (gírelo hacia la izquierda o hacia la derecha para ajustar la rueda para nivelarlo en caso de inestabilidad).



- Este frigorífico debe instalarse de forma independiente y no puede instalarse empotrado. De lo contrario, provocará problemas como fallos en la instalación en el mueble y el rendimiento y la vida útil del producto se reducirán. Y el fabricante no proporciona garantía básica del producto.
- El espacio superior del refrigerador debe ser superior a 30 cm, y el refrigerador debe colocarse contra una pared con una distancia libre de más de 10 cm para facilitar la disipación del calor.



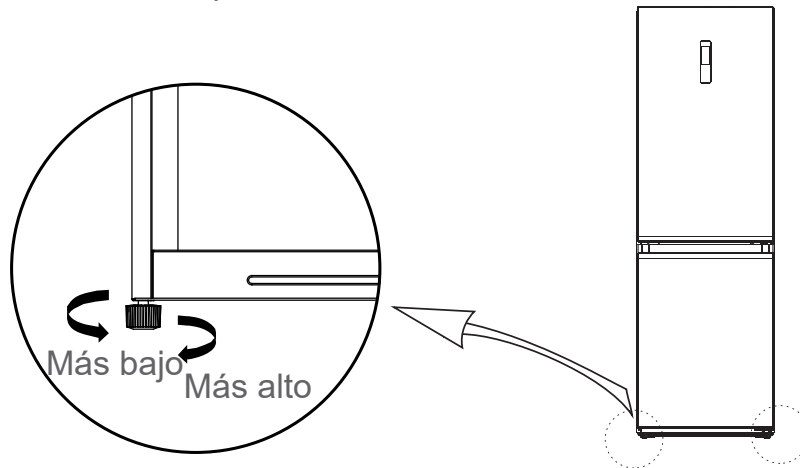
- Deje suficiente espacio libre para abrir cómodamente las puertas y los cajones.

#### ! Precauciones antes de la instalación:

- Antes de instalar o ajustar los accesorios, asegúrese de que el refrigerador esté desconectado de la alimentación.
- Se deben tomar precauciones para evitar que la caída del mango cause lesiones personales.

## 4.2. PIE NIVELADOR

Diagrama esquemático de los pies niveladores:







**Observación:** La imagen de arriba es solo para referencia. La configuración real dependerá del producto físico o declaración del distribuidor.

### Procedimientos de ajuste:

1. Gire las patas en el sentido de las agujas del reloj para elevar el refrigerador;
2. Gire el pie hacia la izquierda para bajar el frigorífico.
3. Ajuste los pies derecho e izquierdo según los procedimientos anteriores a un nivel horizontal.

## 4.3. CAMBIO DEL GIRO DE LA PUERTA

Herramientas requeridas:

	Destornillador de estrella		Espátula y destornillador de punta fina
	Trinquete y casquillo de 8 mm (5/16 pulgadas)		Cinta adhesiva

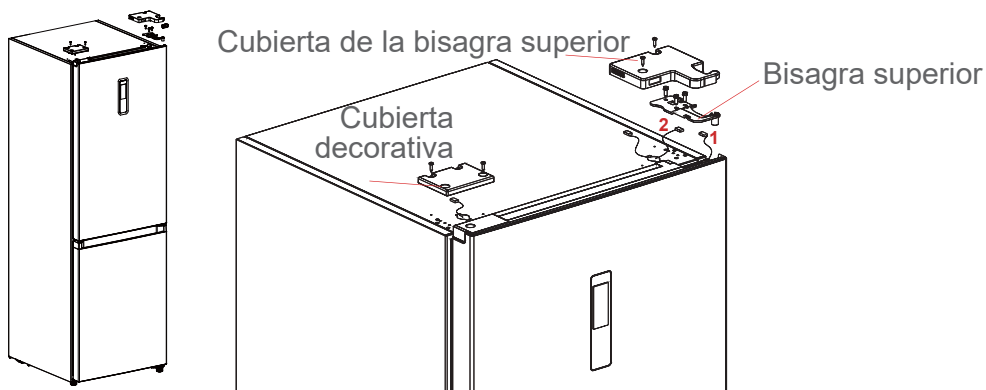
**Observación:** Las herramientas anteriores no se suministran.

### Piezas que se deben utilizar para la inversión de la puerta:

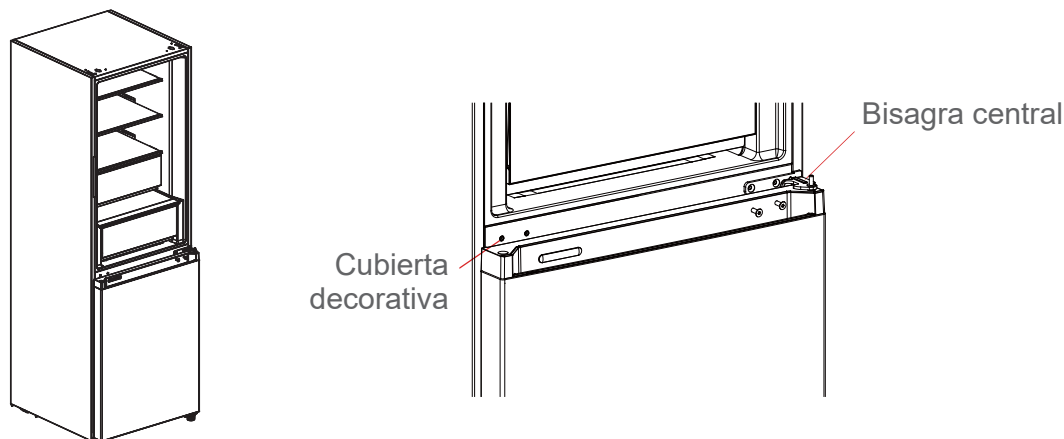
No.	Componente	Cantidad	Observación
1	Bisagra superior	1	Preinstalada en el frigorífico, se retira y se conserva al cambiar la puerta
2	Cubierta de la bisagra superior	1	Preinstalada en el frigorífico, se retira y se conserva al cambiar la puerta
3	Cubierta decorativa	1	Preinstalada en el frigorífico, se retira y se conserva al cambiar la puerta
4	Cierre automático de la puerta	2	Preinstalada en el frigorífico, se retira y se conserva al cambiar la puerta
5	Bisagra central	1	Preinstalada en el frigorífico y se utiliza para cambiar la puerta
6	Cubierta decorativa	1	Preinstalada en el frigorífico y se utiliza para cambiar la puerta

7	Bisagra inferior	1	Preinstalada en el frigorífico y se utiliza para cambiar la puerta
8	Pie nivelador	1	Preinstalada en el frigorífico y se utiliza para cambiar la puerta
9	Bisagra superior izquierda	1	Sáquelos de la bolsa de plástico adjunta para usarlos cuando la puerta esté invertida.
10	Cubierta de la bisagra superior izquierda	1	Sáquelos de la bolsa de plástico adjunta para usarlos cuando la puerta esté invertida.
11	Cierre automático de la puerta izquierda	2	Sáquelos de la bolsa de plástico adjunta para usarlos cuando la puerta esté invertida.
12	Cubierta de plástico derecha	1	Sáquelos de la bolsa de plástico adjunta para usarlos cuando la puerta esté invertida.

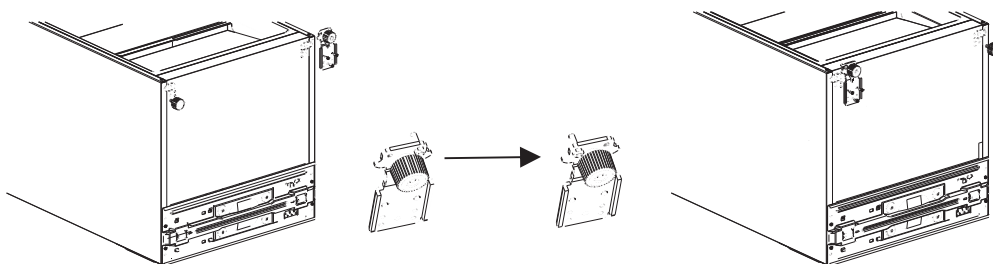
1. Apague este aparato antes de realizar esta operación. Retire toda la comida de los estantes de la puerta.
2. Retire la cubierta decorativa de la cubierta de la bisagra superior izquierda, la cubierta de la bisagra superior derecha y la bisagra superior derecha y desconecte la línea de señal derecha (terminal de línea de señal 1, 2) en la parte superior del cuerpo de la estructura.



3. Retire el cuerpo de la puerta refrigerada (tenga cuidado de no perder piezas pequeñas como el manguito del eje y el tope de la puerta); Retire la bisagra central y retire la cubierta decorativa del orificio de la bisagra del otro lado.



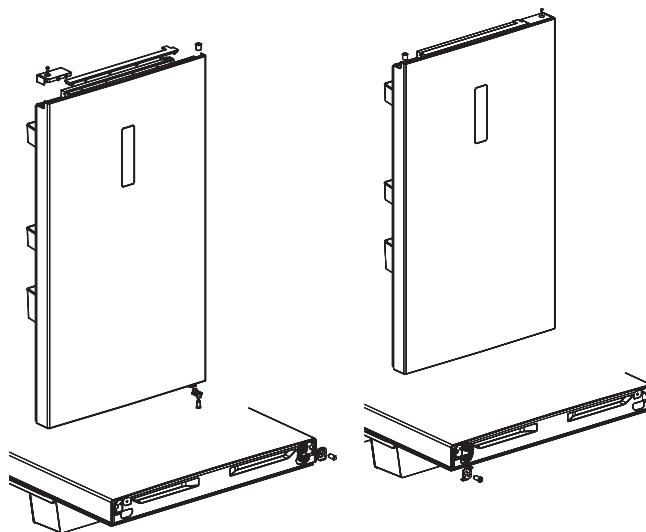
4. Retire el cuerpo de la puerta de congelación (tenga cuidado de no perder piezas pequeñas como el manguito del eje y el tope de la puerta); Retire la bisagra y ajuste el ángulo. Retire e instale el eje de la bisagra inferior en el otro lado de la bisagra e instale la bisagra inferior modificada en el otro lado de la estructura.



5. Cambiar la puerta del frigorífico:

1) Retire la placa de recubrimiento de la cubierta del extremo superior de la puerta de refrigeración y la cubierta decorativa izquierda. Instale el manguito del eje superior y la línea de señal del cuerpo de la puerta al otro lado y cubra la placa de recubrimiento del extremo superior. Saque la cubierta decorativa derecha de la bolsa de accesorios e instálela en el otro lado de la cubierta del extremo superior.

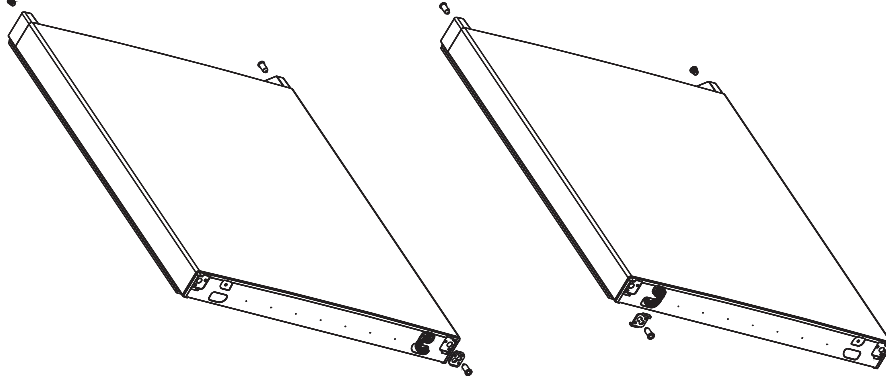
2) Retire el cierre automático de la puerta, el tope de la puerta y el manguito del eje de la puerta de refrigeración, saque el cierre automático de la puerta izquierda de la bolsa de accesorios, instálelo en el lado izquierdo de la cubierta del extremo inferior de la puerta de refrigeración, cambie el tope de la puerta y el manguito del eje al lado izquierdo de la cubierta del extremo inferior de la puerta de refrigeración.



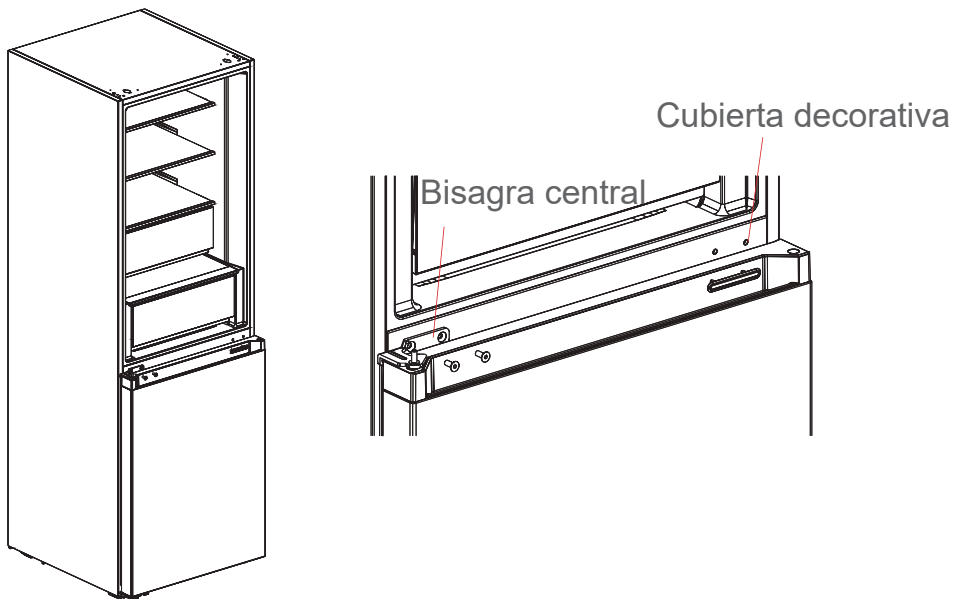
6. Cambiar la puerta de congelación:

1) Retire el manguito del eje y la tapa de la cubierta del extremo superior de la puerta de congelación e instélos en las posiciones de intercambio izquierda y derecha.

2) Retire el cierre automático de la puerta, el tope de la puerta y el manguito del eje de la puerta de congelación, saque el cierre automático de la puerta izquierda de la bolsa de accesorios, instale ii en el lado izquierdo de la cubierta del extremo inferior de la puerta de congelación, cambie el tope de la puerta y el manguito del eje al lado izquierdo de la cubierta del extremo inferior de la puerta de congelación.

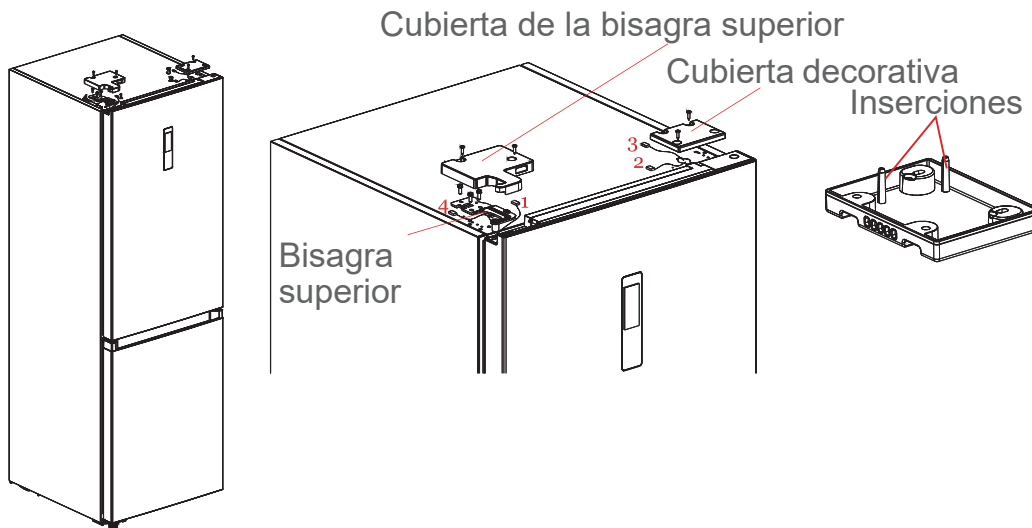


7. Instale la puerta de congelación reemplazada en la bisagra inferior, a continuación, instale la bisagra central y cubra la cubierta decorativa del orificio de la bisagra.

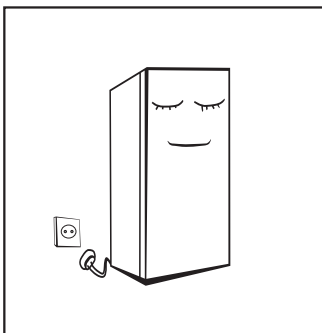


8. Retire la cubierta de la bisagra superior izquierda y la bisagra superior izquierda de la bolsa de accesorios. Coloque el cuerpo de la puerta del frigorífico en la bisagra central e instale la bisagra superior izquierda. Conecte la línea de señal superior del frigorífico 4 a la línea de señal del cuerpo de la puerta 1 y conecte la línea de señal 2 a la línea de señal 3.

Finalmente, vuelva a colocar la cubierta decorativa de la bisagra en el lado derecho del cuerpo de la estructura. Al volver a colocar la tapa decorativa de la bisagra en el lado derecho del cuerpo de la estructura, se deben cortar las dos inserciones de la tapa decorativa de la bisagra (como se muestra en la imagen).



#### 4.4. USO INICIAL



- Antes del arranque inicial, mantenga el frigorífico quieto durante más de dos horas antes de conectarlo a la fuente de alimentación; de lo contrario, se producirá una disminución de la capacidad de refrigeración o daños en el producto.
- Antes de poner alimentos frescos o congelados, el refrigerador debe haber funcionado durante 2-3 horas, o más de 4 horas en verano cuando la temperatura ambiente es alta.

## 5. USO

### 5.1. AJUSTES DE TEMPERATURA RECOMENDADOS

Cámara de refrigeración: 4 °C, cámara de congelación: -18 °C.

### 5.2. CÁMARA DE REFRIGERACIÓN

- La cámara frigorífica es adecuada para el almacenamiento de una variedad de frutas, verduras, bebidas y otros alimentos que se consumen a corto plazo. El tiempo de almacenamiento sugerido es de 3 a 5 días.
- Los alimentos calientes no deben colocarse en la cámara de refrigeración hasta que se enfríen a temperatura ambiente.
- Se recomienda sellar los alimentos antes de ponerlos en el refrigerador.
- Los estantes de vidrio se pueden ajustar hacia arriba o hacia abajo para obtener una cantidad razonable de espacio de almacenamiento y fácil uso.

**Observación:** Los cajones, fiambreras, estantes, etc., colocados siguiendo la posición en la imagen de descripción del producto, son los más eficientes energéticamente.

### 5.3. CÁMARA DE CONGELACIÓN

- La cámara de congelación a baja temperatura puede mantener los alimentos frescos durante mucho tiempo y se utiliza principalmente para almacenar alimentos congelados y hacer hielo.
- La cámara de congelación es adecuada para el almacenamiento de carne, pescado, bolas de arroz y otros alimentos que no se van a consumir a corto plazo.
- Es preferible dividir los trozos de carne en porciones pequeñas para facilitar el acceso. Tenga en cuenta que los alimentos deben consumirse dentro del tiempo de almacenamiento.


#### Tiempos recomendados de almacenamiento de alimentos congelados en el congelador

Estos tiempos varían según el tipo de alimento. Los alimentos que congelas se pueden conservar de 1 a 12 meses (mínimo a -18 °C).

Alimento	Tiempo de almacenamiento
Bacon, guisos, leche	1 mes
Pan, helados, embutidos, empanadas, mariscos preparados, pescado azul	2 meses
Pescado no graso, mariscos, pizza, bollos y muffins	3 meses
Jamón, pasteles, galletas, chuletas de ternera y cordero, trozos de ave	4 meses
Mantequilla, verduras (escaldadas), huevos enteros y yemas, cangrejos de río cocidos, carne picada (cruda), cerdo (crudo)	6 meses
Fruta (seca o en almíbar), claras de huevo, ternera (cruda), pollo entero, cordero (crudo), pasteles de frutas	12 meses

### 5.4. PANTALLA

- Cuando encienda el frigorífico por primera vez, todo el panel de la pantalla brillará durante 3 segundos y, a continuación, entrará en la pantalla normal. Cuando usa el frigorífico por primera vez, las temperaturas predeterminadas de la cámara de refrigeración y la cámara de congelación son 2 y -24 °C respectivamente.

- Cuando ocurre un error, el panel de visualización muestra el código de error (ver “Indicación de fallo”); durante el funcionamiento normal, el panel de visualización muestra la temperatura establecida de la cámara de refrigeración y la cámara de congelación.
- Bajo funcionamiento normal, si no hay funcionamiento en los siguientes 30 segundos, el panel de visualización se bloqueará. La luz del panel de visualización se apagará después de que el estado de bloqueo  continúe durante 30 s.

### 5.5. BLOQUEO/DESBLOQUEO

- En el estado desbloqueado, mantenga pulsado el **botón super-cool/super-freezer (C)** durante 3 s para entrar en el estado bloqueado y sonará el pitido de bloqueo.
- En el estado bloqueado, mantenga pulsado el **botón super-cool/super-freezer (C)** durante 3 s para entrar en el estado desbloqueado y sonará el pitido de desbloqueo.

Después de 30 segundos sin que se pulse ningún botón, el aparato entrará automáticamente en el estado de bloqueo y el pitido de bloqueo sonará al mismo tiempo.

En el estado bloqueado, la única operación permitida es liberar el sonido de la alarma. Cualquier otro manejo de teclas no está permitido y provocará un pitido de error.

### 5.6. AJUSTE DE TEMPERATURA DE LA CÁMARA DE REFRIGERACIÓN

Pulse el botón de ajuste de temperatura **(A)** para cambiar la temperatura de la cámara frigorífica; cada vez que pulse el botón, la temperatura disminuirá 1 °C. El rango de ajuste de temperatura de la cámara de refrigeración es de 2 a 8 °C. Si se vuelve a pulsar el botón **(A)** cuando la temperatura configurada es 2 °C, la temperatura de la cámara de refrigeración cambiará a 8 °C.

### 5.7. AJUSTE DE TEMPERATURA DE LA CÁMARA DE CONGELACIÓN

Pulse el botón de ajuste de temperatura **(B)** para cambiar la temperatura de la cámara de congelación; cada vez que pulse el botón, la temperatura disminuirá en 1 °C. El rango de ajuste de temperatura de la cámara de refrigeración es de -24 a -16 °C. Si se vuelve a pulsar el botón **(B)** cuando la temperatura establecida es de -24 °C, la temperatura de la cámara de congelación cambiará a -16 °C.

### 5.8. AJUSTE DE MODO

Mantenga pulsado el botón de ajuste de temperatura **(A)** durante 3 s para configurar/cancelar el modo vacaciones.

Cuando se configura el modo de vacaciones, la cámara de refrigeración se apaga, el área de visualización de la temperatura de refrigeración se apaga y la cámara de congelación se configura automáticamente a -18 °C.

Al pulsar el botón congelador o el botón superfrío/supercongelación, se saldrá del modo de vacaciones. A continuación, la cámara de refrigeración y la cámara de congelación volverán automáticamente a la temperatura que configuró antes del modo de vacaciones.

Ahora el dispositivo entra en el modo de funcionamiento normal.

La temperatura sólo se ajusta correctamente al entrar en el modo de bloqueo.

### 5.9. MODO DE SUPERCONGELACIÓN

Pulse el botón superfrío/supercongelación **(C)** repetidamente para cambiar el modo en este orden: superfrío -> supercongelación -> cancelar. Cuando se configura o cancela un modo, el símbolo de superfrío/supercongelación correspondiente se encenderá o apagará.

- Durante el modo superfrío, la cámara de refrigeración se ajusta automáticamente



a 2 °C;

- Durante el modo supercongelación, la cámara de congelación se ajusta automáticamente a -24 °C;
- Después de salir del modo superfrío/supercongelación, la cámara de refrigeración/congelación volverá automáticamente a la temperatura que configuró anteriormente.
- El modo superfrío se desactivará automáticamente después de funcionar durante unas 4,5 horas y el modo supercongelación se desactivará automáticamente después de funcionar durante unas 25 horas.

**Observación:** La función de supercongelación está diseñada para mantener el valor nutricional de los alimentos en el congelador. Puede congelar la comida en el menor tiempo posible. Si se congela una gran cantidad de alimentos a la vez, se recomienda que el usuario active la función de congelación rápida y coloque los alimentos. En este momento, la velocidad de congelación del compartimiento del congelador aumenta, lo que puede congelar rápidamente la comida y proteger efectivamente el valor nutricional de los alimentos.

### 5.10. ALARMA DE PUERTA ABIERTA

Si la puerta del frigorífico permanece abierta durante 120 segundos, el timbre emitirá una alarma hasta que se cierre. Puede pulsar cualquier botón para cancelar la alarma del timbre.

### 5.11. INDICACIÓN DE FALLO

Los siguientes códigos de error que aparecen en el panel de visualización indican los fallos correspondientes del frigorífico.

Aunque el frigorífico aún puede mantener los alimentos fríos con los siguientes fallos, el usuario debe ponerse en contacto con un especialista en mantenimiento para realizar el mantenimiento, a fin de garantizar el funcionamiento óptimo del aparato.

Código de error	Descripción del fallo
E1	Error del sensor de temperatura de la cámara frigorífica
E2	Error del sensor de temperatura de la cámara de congelación
E3	Fallo del sensor de temperatura de la zona de carne y pescado
E5	Error del circuito de detección del sensor de descongelación
E6	Error de comunicación
E7	Error del sensor de temperatura ambiente

### 5.12. CONSEJOS PARA EL ALMACENAMIENTO DE ALIMENTOS

- La carne o pescado cocinados deben almacenarse en un estante superior a aquel donde se guarde la carne y pescado crudos para evitar la transmisión de bacterias. Guarde la carne y el pescado crudos en un recipiente suficientemente grande como para recoger sus jugos y tápelo de forma adecuada. Coloque el recipiente en el estante inferior.
- Deje espacio alrededor de los alimentos para que el aire circule por el refrigerador. Asegúrese de que todas las partes de la unidad se mantengan frías.
- Para evitar la transferencia de sabores y que los alimentos se sequen, empaquételes o cúbralos por separado. No es necesario envolver la fruta y la verdura.
- Deje siempre que los alimentos precocinados se enfríen antes de colocarlos en el refrigerador. Esto ayudará a mantener la temperatura interna de la unidad.
- Para evitar que el aire frío se escape del aparato, trate de limitar la cantidad de veces que abre la puerta. Le recomendamos que abra la puerta solo cuando

necesite introducir o sacar alimentos.

### 5.13. CONSEJOS PARA AHORRAR ENERGÍA

- El aparato debería colocarse en la parte más fresca de la habitación, lejos de aparatos que produzcan calor o conductos de calefacción, así como de la luz directa del sol.
- Deje que los alimentos calientes se enfríen hasta alcanzar la temperatura ambiente antes de guardarlos en el refrigerador. Sobrecargar el aparato obliga al compresor a funcionar más tiempo. Los alimentos que se enfrían demasiado lentamente pueden perder calidad o echarse a perder.
- Asegúrese de envolver los alimentos correctamente y seque los recipientes antes de colocarlos en el electrodoméstico. Esto reduce la acumulación de escarcha dentro del aparato.
- El contenedor de almacenamiento de electrodomésticos no debe estar cubierto con papel de aluminio, papel encerado ni papel absorbente. Los revestimientos interfieren con la circulación de aire frío, lo que hace que el aparato sea menos eficiente.
- Organice y etiquete la comida para reducir las ocasiones en las que abre la puerta y las largas búsquedas en el frigorífico. Saque tantos elementos como sea necesario a la vez y cierre la puerta lo antes posible.
- La combinación de cajones, cestas y estantes que se muestra en la imagen del dispositivo es óptima para un ahorro energético eficiente. Cambiar la propuesta de combinación podría alterar la eficiencia.
- Intente no abrir la puerta con mucha frecuencia, especialmente si el clima es húmedo y caluroso. Cuando abra la puerta, ciérrela lo antes posible.
- Compruebe cada cierto tiempo si el frigorífico está suficientemente ventilado (circulación adecuada del aire detrás del frigorífico).
- En condiciones climáticas normales, ajuste la temperatura al nivel medio.
- Antes de llenar el frigorífico con paquetes de comida fresca, asegúrese de que se hayan enfriado hasta alcanzar la temperatura ambiente.
- Las capas de escarcha y hielo aumentan el consumo de energía, de modo que se debe limpiar el frigorífico si la capa tiene entre 3 y 5 mm de grosor.

## 6. MANTENIMIENTO Y LIMPIEZA

### 6.1. LIMPIEZA GENERAL

**⚠** Desenchufe el refrigerador para descongelarlo y limpiarlo.

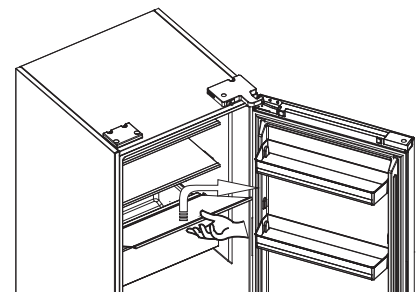
- El polvo detrás del refrigerador y en el suelo se limpiará oportunamente para mejorar el efecto de enfriamiento y el ahorro de energía.
- Revise la junta de la puerta con regularidad para asegurarse de que no haya residuos. Limpie la junta de la puerta con un paño suave humedecido con agua jabonosa o detergente diluido.
- El interior del refrigerador debe limpiarse regularmente para evitar malos olores.
- Desconecte la alimentación antes de limpiar el interior, retire todos los alimentos, bebidas, estantes, cajones, etc.
- Use un paño suave o una esponja para limpiar el interior del refrigerador, con dos cucharadas de bicarbonato de sodio y un litro de agua tibia. A continuación, enjuague con agua y limpie. Después de limpiar, abra la puerta y deje que se seque naturalmente antes de encender la alimentación.
- Para las áreas que son difíciles de limpiar en el refrigerador (como zonas angostas, huecos o esquinas), se recomienda limpiarlas regularmente con un trapo suave, un cepillo suave, etc., y cuando sea necesario, en combinación con algunas herramientas auxiliares (como palitos delgados) para asegurar que no haya contaminantes ni acumulación de bacterias en estas áreas.
- No use jabón, detergente, limpiadores en aerosol, etc., ya que pueden causar olores en el interior del refrigerador o alimentos contaminados.
- Limpie la estructura de las botellas, los estantes y los cajones con un paño suave humedecido con agua jabonosa o detergente diluido. Seque con un paño suave o deje secar naturalmente.
- Limpie la superficie exterior del refrigerador con un paño suave humedecido con agua jabonosa, detergente diluido, etc., y, a continuación, séquelo.
- No utilice cepillos duros, perlas de limpieza de acero, cepillos de alambre, abrasivos (como pasta de dientes), disolventes orgánicos (como alcohol, acetona, aceite de plátano, etc.), agua hirviendo, elementos ácidos o alcalinos, que pueden dañar la superficie del enfriador y los interiores. El agua hirviendo y los disolventes orgánicos como el benceno pueden deformar o dañar las piezas de plástico.
- No enjuague directamente con agua ni otros líquidos durante la limpieza para evitar cortocircuitos o afectar el aislamiento eléctrico después de la inmersión.



ES

### 6.2. LIMPIEZA DEL ESTANTE DE VIDRIO

- Retire el cajón en el estante de vidrio;
- Levante el frente del estante de vidrio (alrededor de 60°) y, a continuación, sáquelo;
- Retire el estante de vidrio y límpielo según sea necesario;
- Para instalar el estante de vidrio en la parte posterior, simplemente utilice el movimiento inverso al de quitarlo.



### 6.3. DESCONGELACIÓN

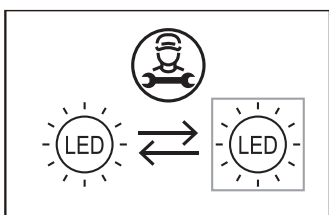
- El frigorífico está fabricado bajo el principio de enfriamiento del aire y, por tanto, cuenta con una función de descongelación automática. La escarcha que se forma debido al cambio de estación o de temperatura también se puede retirar de forma manual desconectando el frigorífico de la corriente o limpiándolo con una toalla seca.

### 6.4. FUERA DE SERVICIO

- Fallo de alimentación: En caso de corte de corriente, aunque sea en verano, los alimentos en el interior del aparato pueden conservarse durante varias horas; durante la interrupción del suministro eléctrico, los tiempos de apertura de la puerta se reducirán y no se introducirán más alimentos frescos en el aparato.
- Falta de uso durante mucho tiempo: El aparato se debe desenchufar y, a continuación, se debe limpiar; después las puertas se deben dejar abiertas para evitar olores.
- Traslado: Antes de mover el refrigerador, saque todos los objetos del interior, fije con cinta las mamparas de cristal, el soporte para verduras, los cajones de la cámara de congelación, etc., y apriete las patas niveladoras; cierre las puertas y fíjelas con cinta adhesiva. Durante el traslado, el aparato no debe colocarse boca abajo ni horizontalmente, ni vibrar; la inclinación durante el movimiento no debe ser superior a 45°. No sujete la puerta ni la bisagra cuando mueva esta unidad.

**!** El aparato debe funcionar continuamente una vez que se enciende. En general, el funcionamiento del aparato no debe interrumpirse, de lo contrario, la vida útil puede verse afectada.

### 6.5. CAMBIO DE LA LUZ



- Solo el fabricante, sus técnicos de mantenimiento o personas con cualificaciones similares deben realizar la sustitución o mantenimiento de las lámparas LED.

La fuente de luz de este producto debe ser reemplazada únicamente por ingenieros cualificados.

	<p>1. Desconectar el enchufe antes de quitarla.</p>		<p>2. Retirar la pantalla de la lámpara con un destornillador.</p>
	<p>3. Desmontar el panel de la lámpara.</p>		<p>4. Retirar el terminal de conexión.</p>

## 7. SOLUCIÓN DE PROBLEMAS

Puede tratar de resolver los siguientes problemas sencillos por sí mismo. Si no se pueden solucionar, póngase en contacto con el departamento de posventa.

Problema	Solución recomendada
Operación fallida	Compruebe si el aparato está conectado a la corriente o si el enchufe está bien conectado. Compruebe si el voltaje es demasiado bajo Verifique si hay un fallo de energía o si han saltado circuitos parciales
Olor	Los alimentos olorosos se envolverán herméticamente Comprobar si hay algún alimento podrido El interior del refrigerador debe limpiarse
Funcionamiento prolongado del compresor	Es normal que el refrigerador funcione durante más tiempo en verano cuando la temperatura ambiente es más alta No introduzca demasiada comida en el aparato a la vez No introduzca los alimentos hasta que se enfríen Las puertas se abren con demasiada frecuencia
La luz no se enciende	Verifique si el refrigerador está conectado a la fuente de alimentación y si la luz está dañada Si la luz está dañada, contacte con un especialista para que la sustituya
Las puertas no se pueden cerrar correctamente	La puerta está atascada por paquetes de comida Se ha colocado demasiada comida El refrigerador está inclinado
Ruido fuerte	Verifique si el suelo está nivelado y si el refrigerador está colocado de manera estable Compruebe si los accesorios están colocados en los lugares adecuados
El sello de la puerta no está apretado	Retire las materias extrañas del sello de la puerta Caliente el sello de la puerta y, a continuación, enfríelo para restaurarlo (o utilice un secador eléctrico o una toalla caliente para calentarlo)
Desbordamiento de la bandeja de agua	Hay demasiada comida en la cámara o la comida almacenada contiene demasiada agua, lo que provoca una descongelación intensa Las puertas no están cerradas correctamente, lo que origina escarcha debido a la entrada de aire y aumento de agua debido a la descongelación.
Exterior caliente	Disipación de calor del condensador incorporado a través de la carcasa, lo cual es normal Proporcione suficiente ventilación para facilitar la disipación del calor cuando la carcasa se calienta debido a la alta temperatura ambiente, el almacenamiento de demasiados alimentos o el apagado del compresor.
Condensación en la superficie	La condensación en la superficie exterior y en los sellos de las puertas del refrigerador es normal cuando la humedad ambiental es demasiado alta. Simplemente limpie el condensado con una toalla limpia.
Ruido anormal	Zumbido: El compresor puede producir zumbidos durante el funcionamiento y los zumbidos son fuertes, especialmente al arrancar o parar. Este comportamiento es normal. Crujido: El refrigerante que fluye dentro del aparato puede producir crujidos, lo cual es normal

ES

**Tabla 1 Clases climáticas**

<b>Clase</b>	<b>Símbolo</b>	<b>Rango de temperatura ambiente (°C)</b>
Templada extendida	SN	+ 10 a + 32
Templado	N	+ 16 a + 32
Subtropical	ST	+ 16 a + 38
Tropical	T	+ 16 a + 43

Templado extendido: este aparato de refrigeración está diseñado para ser utilizado a temperaturas ambiente que oscilan entre 10 y 32 °C;

Templado: este aparato de refrigeración está diseñado para ser utilizado a temperaturas ambiente que oscilen entre 16 y 32 °C;

Subtropical: este aparato de refrigeración está diseñado para ser utilizado a temperaturas ambiente que oscilan entre 16 y 38 °C;

Tropical: este aparato de refrigeración está diseñado para ser utilizado a temperaturas ambiente que oscilan entre 16 y 43 °C;

Las piezas pedidas en la siguiente tabla se pueden adquirir del canal \_\_\_\_\_:

<b>Pieza pedida</b>	<b>Proporcionada por</b>	<b>Tiempo mínimo requerido para la provisión</b>
termostatos	Personal de mantenimiento profesional	Al menos 7 años desde la salida al mercado del último modelo
sensores de temperatura	Personal de mantenimiento profesional	Al menos 7 años desde la salida al mercado del último modelo
placas de circuito impreso	Personal de mantenimiento profesional	Al menos 7 años desde la salida al mercado del último modelo
fuentes de luz	Personal de mantenimiento profesional	Al menos 7 años desde la salida al mercado del último modelo
manijas de puerta	Reparadores profesionales y usuarios finales.	Al menos 7 años desde la salida al mercado del último modelo
bisagras de puerta	Reparadores profesionales y usuarios finales.	Al menos 7 años desde la salida al mercado del último modelo
bandejas	Reparadores profesionales y usuarios finales.	Al menos 7 años desde la salida al mercado del último modelo
cestas	Reparadores profesionales y usuarios finales.	Al menos 7 años desde la salida al mercado del último modelo
juntas de puerta	Reparadores profesionales y usuarios finales.	Al menos 10 años desde la salida al mercado del último modelo

El período más corto para proporcionar piezas de repuesto posventa es de 15 días hábiles. La información del modelo en la base de datos del producto, así como el identificador del modelo, se pueden obtener a través de un enlace web escaneado por un código QR en la etiqueta de eficiencia energética del producto.

Estimado cliente:

1. Si desea devolver o reemplazar el producto, póngase en contacto con la tienda donde lo compró.  
(Recuerde llevar la factura de compra)
2. Si su producto no funciona correctamente y necesita reparación, contacte con el proveedor de servicio posventa.

### Ficha técnica del producto relativa a (UE) 2019/2019

Puede descargar la ficha técnica del electrodoméstico si lo desea.

Visite <https://eprel.ec.europa.eu/> e introduzca el identificador del modelo de su electrodoméstico para descargar la ficha técnica.

El identificador del modelo del aparato se encuentra en la placa de características situada en la parte posterior/interior del aparato.

### Envasado de alimentos congelados

Para evitar que los alimentos pierdan su sabor o se sequen, colóquelos en envases herméticos.

1. Coloque los alimentos en los envases.
2. Saque el aire.
3. Selle el envoltorio.
4. Etiquete los envases con el contenido y las fechas de congelación.

Envases adecuados:

Film de plástico, film tubular de polietileno, papel de aluminio.

Estos productos están disponibles en puntos de venta especializados

### Tiempos recomendados de conservación de alimentos congelados en el congelador

Estos tiempos varían en función del tipo de alimento. Los alimentos que congele pueden conservarse de 1 a 12 meses (mínimo a -18°C)

Alimento	Tiempo de almacenamiento
Beicon, guisos, leche	1 mes
Pan, helados, salchichas, pasteles, marisco preparado, pescado azul	2 meses
Pescado no graso, marisco, pizza, bollos y magdalenas	3 meses
Jamón, pasteles, galletas, chuletas de ternera y cordero, trozos de ave	4 meses
Mantequilla, verduras (escaldadas), huevos enteros y yemas, cangrejos de río cocidos, carne picada (cruda), carne de cerdo (cruda)	6 meses
Fruta (seca o en almíbar), claras de huevo, ternera (cruda), pollo entero, cordero (crudo), pasteles de frutas	12 meses
Fruit (dry or in syrup), egg whites, beef (raw), whole chicken, lamb (raw), fruit cakes	1 month

**Nunca olvide:**

- Cuando congele alimentos frescos con fecha de caducidad, debe hacerlo antes de que caduquen.
- Compruebe que los alimentos no estén ya congelados. De hecho, los alimentos congelados que se hayan descongelado completamente no deben volver a congelarse.
- Una vez descongelados, los alimentos deben consumirse rápidamente..

### Cómo hacer cubitos de hielo

Llene la cubitera con 3/4 partes de agua potable y colóquela en el cajón del congelador. Si la cubitera está pegada al cajón del congelador, aflójela sólo con una herramienta roma. Para aflojar los cubitos, gire ligeramente la cubitera o manténgala brevemente bajo el chorro de agua

### Alarma de puerta abierta

Si la puerta del frigorífico se deja abierta durante aproximadamente 120 segundos, sonará la alarma.

Para apagar la alarma, puede cerrar la puerta o pulsar cualquier botón.

### Ruidos de funcionamiento

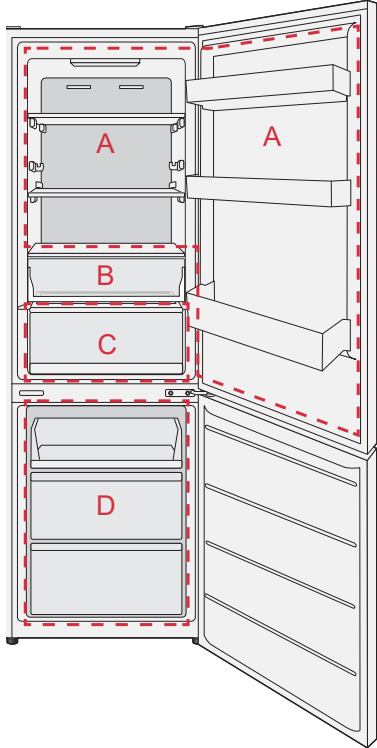
Ruidos normales

Motores en funcionamiento. El refrigerante fluye por los tubos

### Traslado del frigorífico congelador

Desenchufe el frigorífico congelador.

### Conservation d'aliments et de boissons

	Zona	Réglages de température et de rangement recommandés
	A	<b>Réfrigérateur (4°C)</b> - Conservation des aliments de consommation courante, plats, yaourts, sauces, légumes marinés, desserts - Conservation de viande, poisson, charcuterie, raviolis frais, plats cuisinés, restes
	B	<b>Balconnet de porte (4°C)</b> Conservation de boissons, lait, yaourt, œufs et beurre.
	C	<b>Compartiment fruits et légumes (4°C)</b>
	D	<b>Réfrigérateur supplémentaire (0°C - 6°C)</b> Stockage de poisson et de viande crue sur le point d'être cuite.
	<b>Congélateur (-18°C)</b> Aliments à conserver à long terme - Tiroir du haut : Conservation d'aliments surgelés et de glaces. - Tiroirs du milieu : pour viande crue, volaille, poisson - Tiroirs du bas : pour légumes surgelés, frites	



## 8. GARANTÍAS

### Garantías y límites de responsabilidad

Los productos están garantizados durante 36 meses a partir de la fecha de compra o de entrega en el domicilio del cliente. Dependiendo del país, esta garantía consiste en 24 a 36 meses de garantía legal de conformidad.

Para los países que gozan de una garantía legal de conformidad de 24 meses, al expirar esta garantía entra en vigor una garantía comercial complementaria de 12 meses.

ES

### Modalidades de aplicación de las garantías

#### Para la garantía legal de conformidad

Le invitamos a solicitar más información a su distribuidor y/o a consultar sus CGV (Condiciones Generales de Venta).

#### Para la garantía comercial

Para todos los países excepto Francia, le invitamos a devolver el producto a la recepción del lugar de venta con el resguardo de la compra (como el recibo), el producto y los accesorios suministrados con su embalaje original. Es importante indicar la fecha de compra, el modelo y el número de serie o IMEI (por lo general, esta información aparece en el producto, el embalaje o el resguardo de la compra). Debe devolver el producto con los accesorios necesarios para su correcto funcionamiento (alimentación, adaptador, etc.). En el caso de que la garantía cubra su reclamación, el servicio posventa podrá, dentro de los límites de la legislación local, sea:

- Reparar o reemplazar las piezas defectuosas.
- Cambiar el producto devuelto por uno que tenga, al menos, las mismas funciones y que sea equivalente en cuanto a sus prestaciones.
- Reembolsar el producto al precio de compra mencionado en el resguardo de la compra.

Los productos reparados o sustituidos pueden incluir componentes y equipos nuevos y/o reacondicionados.

#### Exclusiones de la garantía comercial:

- Los daños o problemas causados por una utilización incorrecta, un accidente, una alteración o conexión eléctrica de intensidad o tensión inadecuada.
- El uso o almacenamiento perjudicial para la buena conservación del aparato (oxidación, corrosión), uso de energía, empleo o instalación no conforme a las instrucciones del fabricante o negligencia o uso de periféricos, softwares o consumibles inadecuados.
- Uso profesional o colectivo, industrial o comercial del producto.
- Los productos modificados, aquellos cuyo precinto de garantía o número de serie hayan sido dañados, alterados, eliminados o estén oxidados.
- Las baterías reemplazables y los accesorios están garantizados por un período de 6 meses.
- El fallo de la batería debido a una carga demasiado prolongada o por no respetar las instrucciones de seguridad explicadas en el manual.
- Los daños estéticos, como los arañazos, abolladuras o deterioros de cualquier otro tipo.
- Los daños causados por cualquier intervención que efectúe una persona no autorizada.
- Los fallos provocados por un desgaste normal o que se deban al envejecimiento normal del producto: Juntas, filtros, accesorios, cepillo y manguera de aspiradora, lámparas, bombillas de retroproyector, agitadores de lavadora, etc.
- Las actualizaciones del software que se deban a un cambio de parámetros de red.
- Los daños causados por elementos externos al aparato (cuerpos extraños, insectos, etc.).
- El contenido de los aparatos - congelador, lavadora, etc.- (comida, ropa, etc.)
- Los fallos del producto que se deban al uso de softwares de terceros para cambiar, adaptar o modificar el existente.
- Los fallos del producto que se deban a su uso sin los accesorios incluidos con el producto o autorizados por el fabricante.
- Las piezas debido al desgaste normal o daños por el uso: neumático, cámara de aire, freno, etc.

El cliente es responsable de hacer regularmente una copia de seguridad de los datos contenidos en su disco duro o en la memoria interna de su dispositivo antes de cualquier depósito.

Auchan no puede considerarse responsable de la pérdida o destrucción de los datos almacenados ni de los daños en el software que resulten, en particular, de un restablecimiento o una avería.

Asimismo, Auchan no está obligado a comprobar que las tarjetas SIM o SD hayan sido retiradas de los productos devueltos.

Las disposiciones anteriores no pueden reducir ni eliminar en modo alguno: la garantía legal mencionada anteriormente ni la garantía comercial del fabricante, si existiera (consultar el formulario de garantía).

# RESUMO DO CONTEÚDO:

1. INSTRUÇÕES DE SEGURANÇA	P. 74
2. ESPECIFICAÇÕES TÉCNICAS	P. 79
3. DESCRIÇÃO DO PRODUTO	P. 79
4. INSTALAÇÃO	P. 80
5. UTILIZAÇÃO	P. 85
6. MANUTENÇÃO E LIMPEZA	P. 88
7. RESOLUÇÃO DE PROBLEMAS	P. 90
8. GARANTIAS	P. 94

PT

## 1. INSTRUÇÕES DE SEGURANÇA

Antes de usar este produto, leia atentamente as presentes instruções e guarde o manual de instruções para consulta futura.

### 1.1. AVISO



Aviso: Risco de incêndio/materiais inflamáveis!

1. Este aparelho destina-se a ser utilizado em aplicações domésticas e similares, tais como cafeterias de pessoal em lojas, escritórios e outros ambientes profissionais, quintas e por clientes em hotéis, motéis e outros ambientes do tipo residencial, tipos de alojamentos de curtas estadias, catering e aplicações similares não comerciais.
2. Se o cabo de alimentação estiver danificado, este deve ser substituído pelo fabricante, pelo agente de serviço ou por pessoal igualmente qualificado, de modo a evitar perigos.
3. Não armazene substâncias explosivas, tais como embalagens aerossóis com um propulsor inflamável, neste aparelho.
4. O aparelho deve ser desligado após a sua utilização e antes de se proceder à manutenção do aparelho por parte do utilizador.
5. Aviso: Mantenha as aberturas da ventilação, no compartimento ou na estrutura onde o aparelho está integrado, desobstruídas.
6. Aviso: Não utilize dispositivos mecânicos ou outros meios de acelerar o processo de descongelação, para além dos recomendados pelo fabricante.
7. Aviso: Não danifique o circuito de refrigeração.
8. O gás refrigerante R600a, presente no frigorífico, é um gás natural. Não é nocivo para o meio ambiente, mas é combustível. É, assim, importante que transporte e instale o seu frigorífico de forma cuidadosa para não danificar as condutas de refrigeração. Na eventualidade de uma fuga de gás, evite o contacto com chamas ou fogos nas proximidades e ventile o local.
9. Aviso: Não utilize aparelhos elétricos no interior dos compartimentos para armazenamento de alimentos do aparelho, a menos que sejam do tipo recomendado pelo fabricante.
10. Aviso: Elimine o frigorífico de acordo com os regulamentos locais, uma vez que utiliza gás inflamável e líquido refrigerante.
11. Aviso: Ao posicionar o aparelho, certifique-se de que o cabo de alimentação não fica preso ou danificado.
12. Aviso: Não coloque tomadas múltiplas portáteis ou fontes de alimentação portáteis na parte traseira do aparelho.

13. Não utilize cabos de extensão ou adaptadores (2 pinos) sem ligação à terra.
14. Perigo: Risco de aprisionamento de crianças. Antes de eliminar o seu frigorífico ou congelador usado:
  - Retire as portas.
  - Deixe as prateleiras no lugar para as crianças não poderem subir e entrar facilmente para dentro do aparelho.
15. O frigorífico deve ser desligado da tomada antes de se tentar efetuar a instalação do acessório.
16. O refrigerante e o material de espuma de ciclopentano usados no aparelho são inflamáveis. Portanto, quando o frigorífico for descartado, deve ser mantido longe de qualquer fonte ígnea e deve ser recuperado por uma empresa recuperadora especial com qualificações correspondentes, ao invés de ser descartado por combustão, de modo a evitar danos ao meio ambiente ou quaisquer outros danos.
17. A necessidade de que, para portas ou tampas equipadas com fechaduras e chaves, as chaves sejam mantidas fora do alcance das crianças e não nas proximidades do aparelho frigorífico, a fim de evitar que as crianças fiquem trancadas no interior.
18. Para a norma da UE: Este aparelho pode ser utilizado por crianças a partir dos 8 anos e por pessoas com capacidades físicas, sensoriais ou mentais reduzidas ou com falta de experiência e conhecimento, se forem supervisionadas ou tiverem tido formação relativa à utilização do aparelho de uma forma segura e compreenderem os perigos envolvidos. As crianças não devem brincar com o aparelho. A limpeza e a manutenção da responsabilidade do utilizador não deverão ser feitas por crianças não supervisionadas. As crianças com idades entre os 3 e os 8 anos estão autorizadas a carregar e descarregar aparelhos de refrigeração.
19. Para evitar a contaminação dos alimentos, respeite as seguintes instruções:
  - Manter a porta aberta durante períodos de tempo prolongados pode provocar um aumento significativo da temperatura nos compartimentos do aparelho.
  - Limpe regularmente as superfícies que possam estar em contacto com os alimentos e os sistemas de drenagem acessíveis.
  - Limpe os depósitos de água se estes não tiverem sido utilizados durante 48 horas: limpe o sistema de águas ligado à rede de abastecimento se a água não tiver sido escoada há mais de 5 dias. (Nota 1)
  - Guarde carne e peixe crus em recipientes adequados no frigorífico, de forma a que não estejam em contacto com nem pinguem sobre outros alimentos.
  - Os compartimentos para alimentos congelados com duas estrelas são adequados para o armazenamento de alimentos pré-congelados, para o armazenamento ou fabrico de gelados e para fazer cubos de gelo. (Nota 2)
  - Os compartimentos de uma, duas e três estrelas não são adequados para o congelamento de alimentos frescos. (Nota 3)
  - Para aparelhos sem um compartimento de 4 estrelas: Este aparelho de refrigeração não é adequado para congelar alimentos. (Nota 4)
  - Se o aparelho de refrigeração ficar vazio durante longos períodos de tempo, desligue, descongele, limpe, seque e deixe a porta aberta para prevenir o desenvolvimento de bolor no interior do aparelho.
  - Notas 1, 2, 3, 4: Confirme se é aplicável de acordo com o tipo de compartimento do seu produto.
20. Para aparelhos não encastrados: Este aparelho de refrigeração não se destina a ser utilizado como um aparelho integrado.
21. A substituição e a manutenção das lâmpadas LED devem ser realizadas pelo fabricante, pelo agente de serviço ou por pessoal igualmente qualificado. (Ver capítulo 6.5 para a substituição da lâmpada)
22. Este produto contém uma fonte de luz de classe de eficiência energética G.
23. AVISO: Para evitar perigos devido à instabilidade do aparelho, o mesmo deve ser fixado de acordo com as instruções.
24. AVISO: ligar apenas ao abastecimento de água potável. (Indicado para a máquina de fazer gelo)

25. Para evitar que as crianças fiquem presas, mantenha fora do alcance das crianças e não nas imediações do congelador (ou frigorífico). (Indicado para produtos com trinco)

## 1.2. SIGNIFICADO DOS SÍMBOLOS DE AVISO DE SEGURANÇA



Símbolo de proibição

Isto é um símbolo de proibição. Não seguir as instruções marcadas com este símbolo pode resultar em danos no produto ou colocar em risco a segurança pessoal do utilizador.



Símbolo de aviso

Isto é um símbolo de aviso. É necessário seguir rigorosamente as instruções marcadas com este símbolo, caso contrário, poderá causar danos no produto ou danos pessoais.

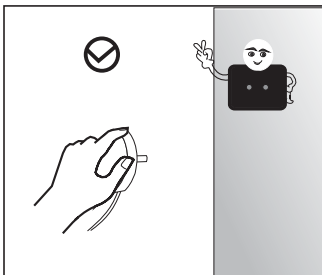


Símbolo de advertência

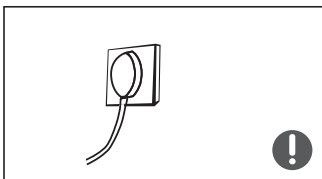
Isto é um símbolo de advertência. As instruções marcadas com este símbolo requerem um cuidado especial. A ausência de cuidados suficientes pode resultar em ferimentos ligeiros ou moderados, ou danos no produto.

Este manual contém informações de segurança importantes, que devem ser observadas pelos utilizadores.

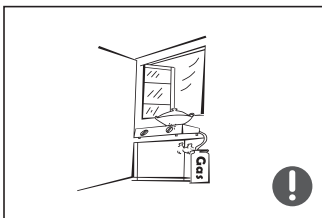
## 1.3. AVISOS RELATIVOS À ELETRICIDADE



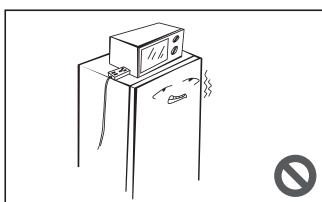
- Não puxe o cabo de alimentação quando puxar a ficha do frigorífico. Segure bem na ficha e desligue-a diretamente da tomada.
- Para garantir uma utilização segura, não danifique o cabo de alimentação nem utilize o cabo de alimentação quando estiver danificado ou gasto.



- Utilize uma tomada elétrica dedicada, a tomada elétrica não deve ser partilhada com outros aparelhos elétricos.
- A ficha deve estar bem ligada na tomada elétrica, caso contrário poderá causar um incêndio.
- Confirme se o eletrodo de aterramento da tomada elétrica está equipado com uma linha de ligação à terra fiável.

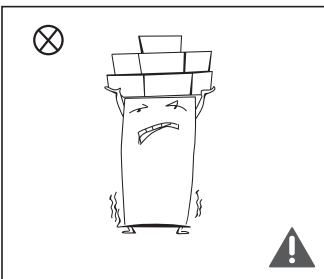
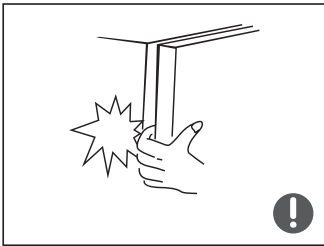
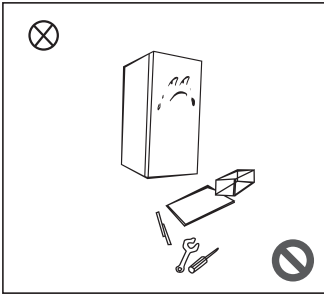


- Desligue a válvula do gás e abra as portas e as janelas em caso de fugas de gás e de outros gases inflamáveis. Não desligue o frigorífico e outros aparelhos elétricos da corrente, uma faísca pode provocar um incêndio.



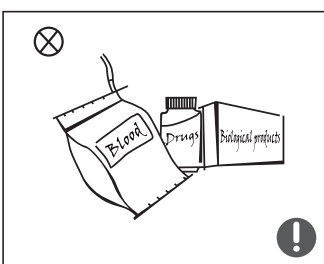
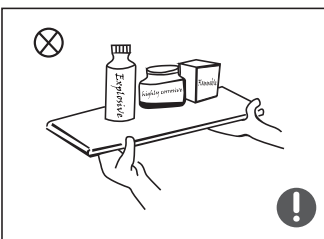
- Não utilize aparelhos elétricos em cima do aparelho, a menos que sejam de um tipo recomendado pelo fabricante.

## 1.4. AVISOS RELATIVOS À UTILIZAÇÃO



- Não desmonte nem reconstrua arbitrariamente o frigorífico, nem danifique o circuito do refrigerante; a manutenção do aparelho deve ser realizada por um especialista.
- Um cabo de alimentação danificado deve ser substituído pelo fabricante, o seu departamento de manutenção ou por profissionais qualificados, de modo a evitar perigos.
- Os espaços entre as portas do frigorífico e entre as portas e o corpo do frigorífico são pequenos, não ponha a mão nestas áreas para não entalar os dedos. Tenha cuidado quando fechar a porta do frigorífico para evitar a queda de artigos.
- Quando o frigorífico estiver em funcionamento, não agarre em alimentos ou recipientes no congelador com as mãos molhadas, especialmente recipientes metálicos, para evitar queimaduras por gelo.
- Não permita que as crianças entrem ou subam para o frigorífico; risco de asfixia e ferimentos resultantes da sua queda.
- Não coloque objetos pesados em cima do frigorífico, uma vez que podem cair ao fechar ou abrir a porta e causar ferimentos acidentais.
- Desligue a ficha da tomada em caso de falhas de energia ou limpeza. Aguarde cinco minutos para ligar o frigorífico à corrente de modo a evitar danos no compressor devido a arranques sucessivos.

## 1.5. AVISOS RELATIVOS AO POSICIONAMENTO



- Não coloque itens inflamáveis, explosivos, voláteis e altamente corrosivos no frigorífico de modo a prevenir danos no produto ou incêndios.
- Não coloque itens inflamáveis perto do frigorífico para evitar fogos.
- O frigorífico destina-se a utilizações domésticas, tais como armazenamento e conservação de alimentos; não deve utilizar-se para outros fins, tais como armazenamento de sangue, medicamentos, produtos biológicos, etc.




- Não armazene cerveja, bebidas ou outros líquidos em garrafas ou recipientes fechados na câmara de congelamento do frigorífico; as garrafas ou recipientes fechados podem rachar devido ao congelamento e causar danos.


PT

## 1.6. AVISOS RELATIVOS À ENERGIA

- 1) Os aparelhos de refrigeração podem não funcionar consistentemente (existe a possibilidade de descongelamento do conteúdo ou de a temperatura ficar demasiado alta no compartimento dos congelados) quando instalados por longos períodos a temperaturas abaixo do limite inferior do intervalo de temperaturas para as quais foram concebidos.
- 2) As bebidas efervescentes não devem ser guardadas em compartimentos ou aparelhos de congelamento de alimentos ou em compartimentos ou aparelhos de baixa temperatura, e alguns produtos, como gelados à base de água, não devem ser consumidos muito frios.
- 3) Não exceder o(s) tempo(s) de armazenamento recomendado(s) pelos produtores de alimentos para qualquer tipo de alimentos e, particularmente, para alimentos ultracongelados comercialmente em congeladores de alimentos e compartimentos ou aparelhos de armazenamento de alimentos congelados.
- 4) Tomar as precauções necessárias para evitar a subida indevida da temperatura dos alimentos congelados durante o descongelamento do aparelho de refrigeração, tal como embrulhar os alimentos congelados em várias camadas de papel de jornal.
- 5) O aumento da temperatura dos alimentos congelados durante o descongelamento manual, a manutenção ou a limpeza pode reduzir o tempo de armazenamento.

## 1.7. AVISOS RELATIVOS À ELIMINAÇÃO

 O refrigerante e os materiais de espuma de ciclopentano utilizados para o frigorífico são inflamáveis. Por conseguinte, quando o frigorífico é eliminado, deve ser mantido afastado de qualquer fonte de ignição e ser reciclado por uma empresa de reciclagem qualificada para o efeito onde não seja eliminado por combustão, de modo a evitar danos ao ambiente ou qualquer outro dano.

 Quando o frigorífico for eliminado, desmonte as portas, remova as juntas da porta e as prateleiras; coloque as portas e as prateleiras num local adequado para evitar que crianças fiquem presas no seu interior.



Esta marcação indica que o produto não deve ser eliminado juntamente com os resíduos domésticos. Para prevenir potenciais danos ambientais ou riscos para a saúde humana resultantes de uma eliminação incorreta dos resíduos, opte por reciclar o aparelho de forma responsável e promova a reutilização sustentável de recursos materiais. Para eliminar o seu aparelho usado, use os sistemas de recolha e de retoma ou contacte o revendedor onde adquiriu o aparelho. Estes poderão receber o produto para a respetiva reciclagem ecologicamente segura.

## 2. ESPECIFICAÇÕES TÉCNICAS

Alimentação	220 - 240 V~, 50 Hz
Corrente nominal	1,1 A
Consumo energético	177 kWh/a
Classe de proteção	Classe I
Classe climática	SN/N/ST/T
Potência nominal da lâmpada	MÁX 4,5 W
Volume total	378 L
Volume do compartimento de frescos	216 L
Volume do compartimento do refrigerador	40 L
Volume do compartimento de quatro estrelas	122 L
Quantidade de refrigerante e injeção	R600a/55g
Capacidade de congelamento	7,5 kg/24h
Dimensões (A x C x L)	2010 x 700 x 595 mm
Peso líquido	85 kg

PT

## 3. DESCRIÇÃO DO PRODUTO

### 3.1. PRODUTO

- |                                  |                             |
|----------------------------------|-----------------------------|
| 1. Luz LED                       | 5. Caixa para carne e peixe |
| 2. Prateleira                    | 6. Gaveta                   |
| 3. Luz LED (para alguns modelos) | 7. Prateleira da porta      |
| 4. Gaveta de frutas e vegetais   | 8. Interruptor da porta     |

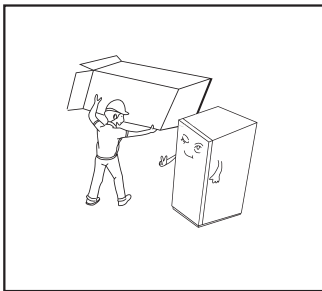
### 3.2. PAINEL DO VISOR

- |  |   |
|--|---|
| 1. Área de exibição da temperatura da câmara de refrigeração | 6. Ícone de bloqueio  |
| 2. Área de exibição da temperatura da câmara de congelamento | A. Botão de definição de temperatura (câmara de refrigeração) |
| 3. Ícone de refrigeração rápida                              | B. Botão de definição de temperatura (câmara de congelamento) |
| 4. Ícone de congelação rápida                                | C. Botão Super fresco/Super congelamento                      |
| 5. Ícone de férias   |   |

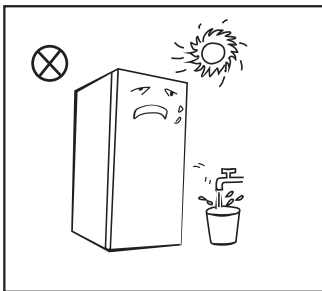
## 4. INSTALAÇÃO

### 4.1. COLOCAÇÃO

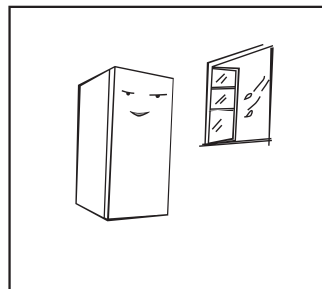
PT



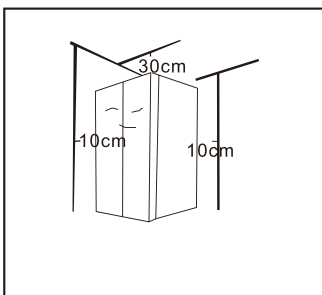
- Antes da utilização, remova todos os materiais de embalagem, incluindo as almofadas inferiores, as almofadas de espuma e as fitas no interior do frigorífico; rasgue a película protetora nas portas e no corpo do frigorífico.
- Mantenha os materiais de embalagem, e outras peças, longe do alcance das crianças para evitar o risco de asfixia.



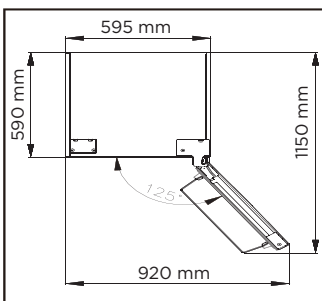
- Mantenha o frigorífico afastado do calor e evite a luz solar direta. Não coloque o frigorífico em locais húmidos ou com água para evitar a formação de ferrugem ou a redução do efeito de isolamento.
- Não pulverize nem lave o frigorífico, e não coloque o frigorífico em locais húmidos onde possa ser facilmente salpicado com água, para não afetar as propriedades do isolamento elétrico do frigorífico.



- O frigorífico é instalado num local interior bem ventilado; o chão deve ser plano e resistente (rode a roda para a esquerda ou direita para nivelar o frigorífico, se estiver instável).



- Este frigorífico tem de ser instalado independentemente e não pode ser utilizado encastrado. Caso contrário, ocorrerão problemas, tais como a falha da instalação no armário e a redução do desempenho e da vida útil do produto. E o fabricante não oferecerá a garantia básica do produto.
- O espaço acima do frigorífico deve ser superior a 30 cm, e o frigorífico deve ser encostado a uma parede com uma distância livre superior a 10 cm para facilitar a dissipação do calor.



- Reserve espaço suficiente para facilitar a abertura das portas e gavetas.

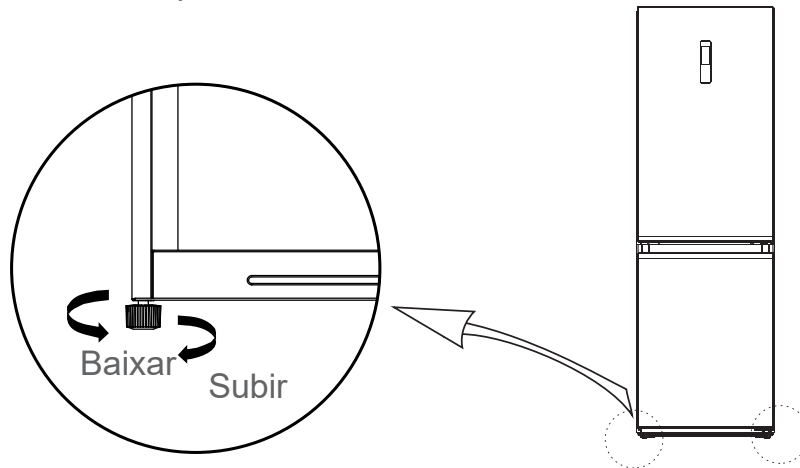
#### ! Precauções a tomar antes da instalação:

- Antes de instalar ou ajustar os acessórios, assegure-se de que o frigorífico está desligado da corrente.
- Deve tomar precauções para evitar que a queda da pega cause danos pessoais.



## 4.2. PÉS DE NIVELAMENTO

Diagrama esquemático dos pés niveladores:



**Nota:** A imagem acima é apenas para referência. A configuração real dependerá do produto físico ou da declaração do distribuidor.

### Procedimentos de regulação:

1. Rode os pés no sentido dos ponteiros do relógio para subir o frigorífico;
2. Rode os pés no sentido contrário ao dos ponteiros do relógio para baixar o frigorífico;
3. Regule os pés direitos e esquerdos de acordo com procedimentos acima para nivelar horizontalmente o frigorífico.

## 4.3. INVERTER A ABERTURA DA PORTA

Ferramentas necessárias:

	Chave de fendas cruciforme		Espátula e Chave de fendas plana
	Chave de catraca de 5/16"		Fita crepe adesiva

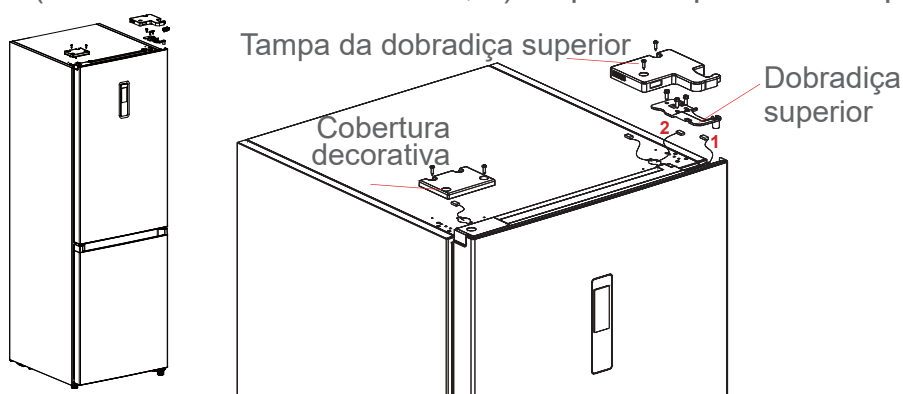
**Nota:** As ferramentas acima não são fornecidas.

### Peças a serem utilizadas para a inversão da porta:

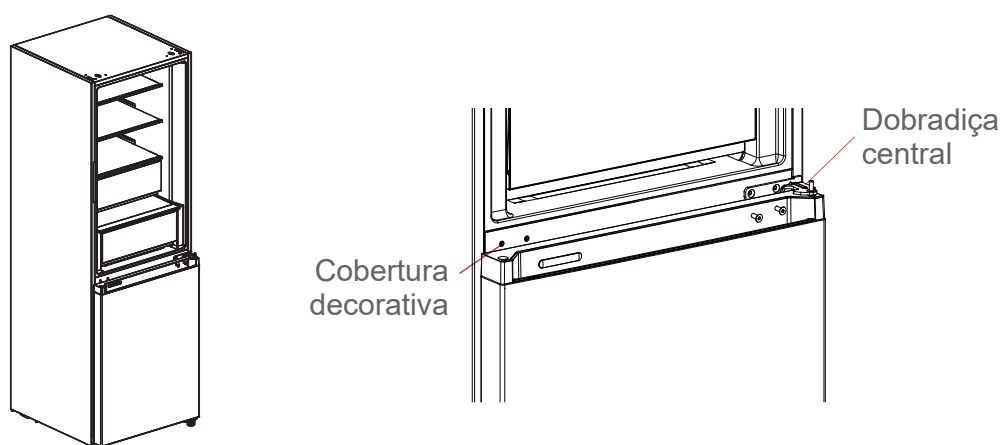
N.º	Parte	Quantidade	Nota
1	Dobradiça superior	1	Pré-instalada no frigorífico, removida e retida ao mudar a porta
2	Tampa da dobradiça superior	1	Pré-instalada no frigorífico, removida e retida ao mudar a porta
3	Cobertura decorativa	1	Pré-instalada no frigorífico, removida e retida ao mudar a porta
4	Bloqueio automático da porta	2	Pré-instalada no frigorífico, removida e retida ao mudar a porta
5	Dobradiça central	1	Pré-instalada no frigorífico, para ser usada ao mudar a porta
6	Cobertura decorativa	1	Pré-instalada no frigorífico, para ser usada ao mudar a porta

7	Dobradiça inferior	1	Pré-instalada no frigorífico, para ser usada ao mudar a porta
8	Pés de nivelamento	1	Pré-instalada no frigorífico, para ser usada ao mudar a porta
9	Dobradiça superior esquerda	1	Retire-os do saco plástico fornecido para utilizar quando a porta é invertida
10	Tampa da dobradiça superior esquerda	1	Retire-os do saco plástico fornecido para utilizar quando a porta é invertida
11	Bloqueio automático esquerdo da porta	2	Retire-os do saco plástico fornecido para utilizar quando a porta é invertida
12	Tampa de plástico direita	1	Retire-os do saco plástico fornecido para utilizar quando a porta é invertida

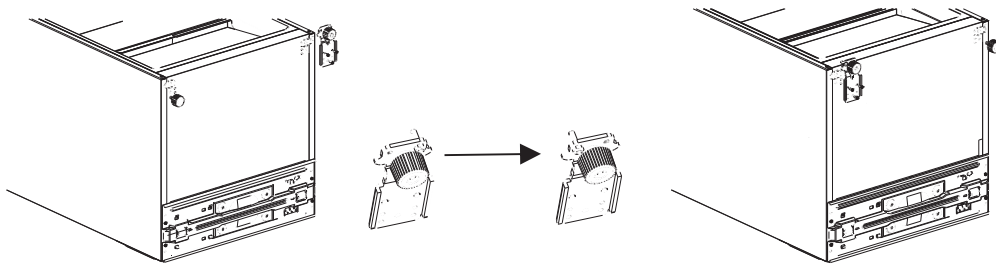
1. Desligue este aparelho da corrente antes de realizar esta operação. Remova todos os alimentos das prateleiras das portas.
2. Retire a cobertura decorativa da dobradiça superior esquerda, a tampa da dobradiça superior direita e também essa dobradiça e desligue a linha de sinal direita (terminais da linha de sinal 1, 2) na parte superior do corpo da caixa.



3. Retire o corpo da porta do frigorífico. Tenha cuidado para não perder peças pequenas como a manga do eixo e o batente da porta. Retire a dobradiça central e retire a cobertura decorativa do orifício da dobradiça no outro lado.



4. Retire o corpo da porta do congelador. Tenha cuidado para não perder peças pequenas como a manga do eixo e o batente da porta. Retire a dobradiça e ajuste o ângulo. Retire o eixo da dobradiça inferior e coloque-o no outro lado da dobradiça. Coloque a dobradiça inferior no outro lado da porta.

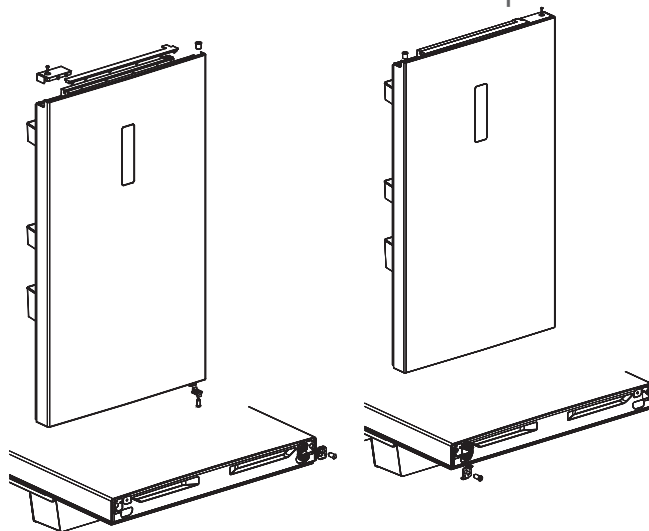


5. Mudar a porta do frigorífico:

1) Retire a placa de cobertura da extremidade superior da porta de refrigeração e a cobertura decorativa esquerda.

Instale a manga do eixo superior e a linha de sinal do corpo da porta no outro lado e cubra a placa da cobertura da extremidade superior. Retire a cobertura decorativa direita do saco de acessórios e instale-a no outro lado da cobertura da extremidade superior.

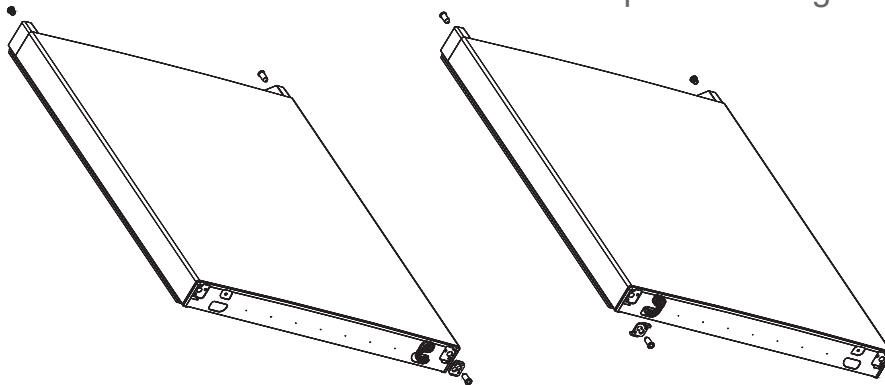
2) Retire o bloqueio automático da porta, o batente da porta e a manga do eixo da porta do frigorífico, retire o bloqueio automático esquerdo da porta do saco de acessórios, instale-o no lado esquerdo da cobertura da extremidade inferior da porta do frigorífico, mude o batente da porta e a manga do eixo para o lado esquerdo da cobertura da extremidade inferior da porta do frigorífico.



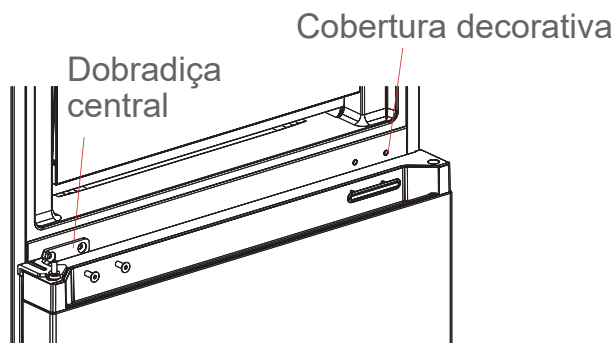
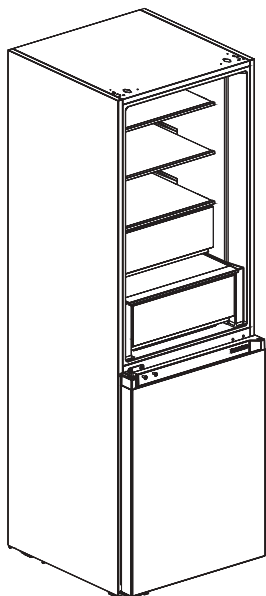
6. Mudar a porta do congelador:

1) Retire a manga do eixo e a tampa da cobertura da extremidade superior da porta do congelador e instale-as nas posições intercambiáveis esquerda e direita.

2) Retire o bloqueio automático da porta, o batente da porta e a manga do eixo da porta do congelador, retire o bloqueio automático esquerdo da porta do saco de acessórios, instale-o no lado esquerdo da cobertura da extremidade inferior da porta do congelador, mude o batente da porta e a manga do eixo para o lado esquerdo da cobertura da extremidade inferior da porta do congelador.

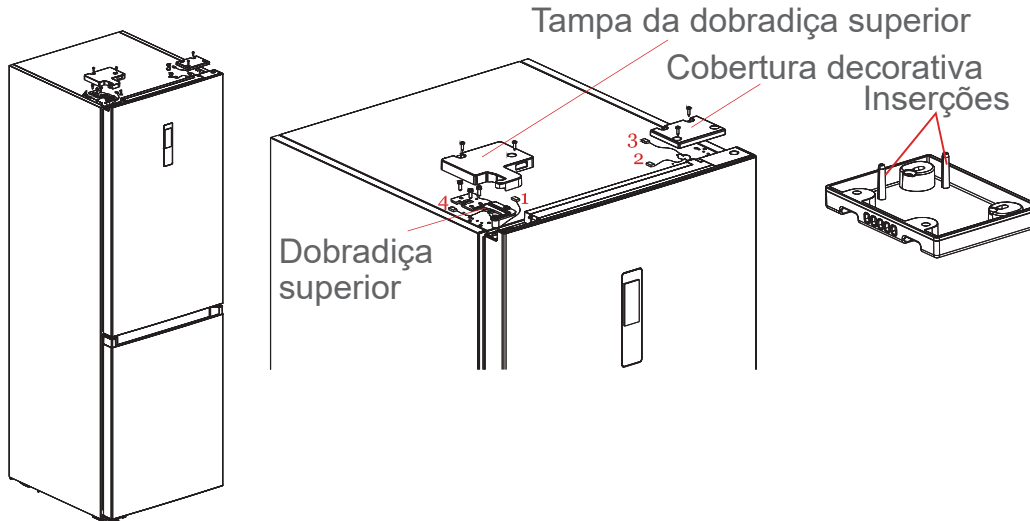


7. Coloque a porta do congelador substituída na dobradiça inferior, depois coloque a dobradiça central e cubra o orifício da dobradiça com a cobertura decorativa.

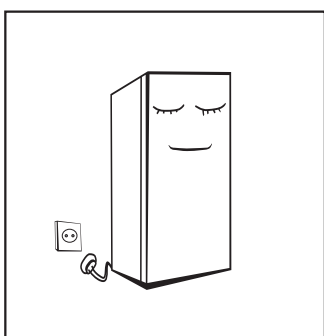


PT

8. Retire dobradiça superior esquerda e a respetiva cobertura do saco de acessórios. Coloque o corpo da porta do frigorífico sobre a dobradiça central e instale a dobradiça superior esquerda. Ligue a linha de sinal superior 4 do frigorífico à linha de sinal 1 do corpo da porta e ligue a linha de sinal 2 à linha de sinal 3. Por fim, substitua a cobertura decorativa da dobradiça para o lado direito do corpo da caixa. Ao substituir a cobertura decorativa da dobradiça no lado direito do corpo da caixa, as duas inserções na cobertura decorativa da dobradiça serão cortadas (como mostrado na figura).



#### 4.4. COMEÇAR A UTILIZAR



- Antes do arranque inicial, mantenha o frigorífico imóvel mais de duas horas antes de o ligar à corrente; caso contrário isto levará à redução da capacidade de refrigeração ou a danos no produto.
- Antes de colocar alimentos frescos ou congelados, o frigorífico deve funcionar durante 2-3 horas, ou mais de 4 horas no verão, quando a temperatura ambiente é alta.

## 5. UTILIZAÇÃO

### 5.1. DEFINIÇÕES DE TEMPERATURA RECOMENDADAS

Câmara de refrigeração 4 °C, câmara de congelamento -18 °C.

### 5.2. CÂMARA DE REFRIGERAÇÃO

- A câmara de refrigeração é adequada para o armazenamento e conservação de uma variedade de fruta, legumes, bebidas e outros alimentos a consumir a curto prazo. O tempo de armazenamento recomendado é de 3 a 5 dias.
- Os alimentos quentes não devem ser colocados na câmara de refrigeração até estarem à temperatura ambiente.
- É recomendado selar os alimentos antes de pô-los no frigorífico.
- As prateleiras de vidro podem ser ajustadas para cima ou para baixo para conseguir uma quantidade razoável de espaço de armazenamento e facilitar a utilização.

**Nota:** As gavetas, caixas para alimentos, prateleiras, etc., colocadas de acordo com a posição na descrição do produto são mais eficientes em termos energéticos.

### 5.3. CÂMARA DE CONGELAMENTO

- A câmara de congelamento de temperatura baixa pode manter os alimentos fresco por um longo período e é utilizado essencialmente para armazenar alimentos congelados e fazer gelo.
- A câmara de congelamento é indicada para o armazenamento de carne, peixe, bolas de arroz e outros alimentos que não sejam consumidos a curto prazo.
- É preferível dividir peças de carne em pedaços pequenos para facilitar o acesso. Tenha em atenção que os alimentos devem ser consumidos dentro da validade.


#### Tempos de armazenamento recomendados de alimentos no compartimento do congelador

Estes tempos variam com o tipo de alimento. Os alimentos congelados podem conservar-se durante 1 a 12 meses (mínimo a -18 °C).

Alimento	Tempo de armazenamento
Bacon, caçarolas, leite	1 mês
Pão, gelados, salsichas, tartes, marisco preparado, peixes gordos	2 meses
Peixes magros, mariscos, pizza, scones e muffins	3 meses
Fiambre, bolos, biscoitos, costeletas de vaca e de borrego, peças de aves	4 meses
Manteiga, vegetais (escaldados), ovo inteiro e gemas, lagostins cozidos, carne picada (crua), porco (cru)	6 meses
Fruta (seca ou em xarope), claras de ovos, vaca (crua), frango inteiro, borrego (cru), bolos de frutos	12 meses

### 5.4. VISOR

- Ao ligar o frigorífico pela primeira vez, todo o painel do visor ilumina-se durante 3 segundos e depois entra em exibição normal. Quando utiliza o frigorífico pela primeira vez, as temperaturas da câmara de refrigeração e da câmara de congelamento são 2 °C e -24 °C, respetivamente.
- Quando ocorre um erro, o painel do visor apresenta o código de erro (veja "Indicação de falha"); durante o funcionamento normal, o visor mostra a temperatura definida para a câmara de refrigeração e a câmara de congelamento.

- No funcionamento normal, se não houver qualquer operação dentro de 30 segundos, o painel do visor será bloqueado. A luz do painel do visor apaga-se quando o estado bloqueado  continua durante 30 s.

## 5.5. BLOQUEAR/DESBLOQUEAR

- No estado desbloqueado, prima sem soltar o **botão super-cool/super-freezer (C)** durante 3 s para entrar no estado bloqueado e o alarme de bloqueio soará.
- No estado bloqueado, prima sem soltar o **botão super-cool/super-freezer (C)** durante 3 s para entrar no estado desbloqueado e o alarme de desbloqueio soará.

PT

Após 30 segundos sem tocar em nenhum botão, o aparelho entra automaticamente no estado bloqueado e o alarme de bloqueio soa ao mesmo tempo.

No estado bloqueado, a única operação permitida é desligar o alarme sonoro.

Não é permitida qualquer outra operação principal e isso ativa um alarme de erro.

## 5.6. DEFINIÇÃO DE TEMPERATURA DA CÂMARA DE REFRIGERAÇÃO

Prima o botão de definição da temperatura **(A)** para alterar a temperatura da câmara de refrigeração; de cada vez que premir o botão, a temperatura diminui 1 °C. O intervalo de definição de temperatura para a câmara de refrigeração é 2 a 8 °C. Quando a temperatura definida for 2 °C, premir novamente o botão **(A)** mudará a temperatura da câmara de refrigeração para 8 °C.

## 5.7. DEFINIÇÃO DE TEMPERATURA DA CÂMARA DE CONGELAMENTO

Prima o botão de definição da temperatura **(B)** para alterar a temperatura da câmara de congelamento; de cada vez que premir o botão, a temperatura diminui 1 °C. O intervalo de definição de temperatura para a câmara de congelamento é -24 a -16 °C. Quando a temperatura definida for -24 °C, premir novamente o botão **(B)** mudará a temperatura da câmara de refrigeração para -16 °C.

## 5.8. DEFINIÇÃO DE MODO

Prima sem soltar o botão de definição da temperatura **(A)** durante 3 s para definir/cancelar o modo Férias.

Quando o modo Férias está definido, a câmara de refrigeração está desligada, a área de exibição da temperatura de refrigeração está apagada e a câmara de congelamento é definida automaticamente para -18 °C.

Ao utilizar o botão Super fresco/Super congelamento, o aparelho sairá do modo Férias. Depois, a câmara de refrigeração e a câmara de congelamento voltarão automaticamente para a temperatura que tinha definido antes do modo Férias.

Agora o aparelho entre no modo de funcionamento normal.

A temperatura só é definida com sucesso quando entrar no modo de bloqueado.

## 5.9. MODO SUPER CONGELAMENTO

Prima o botão Super fresco/Super congelamento **(C)** repetidamente para alterar o modo por esta ordem: Super fresco -> Super congelamento -> cancelar. Quando um modo é definido ou cancelado, o ícone de Super fresco/Super congelamento acende-se ou apaga-se.

- No modo Super fresco, a câmara de refrigeração é definida automaticamente para 2 °C;
- No modo Super congelamento, a câmara de congelamento é definida automaticamente -24 °C;
- Após sair do modo Super fresco/Super congelamento, a câmara de refrigeração/ congelamento voltará para a temperatura que tinha definido antes.
- O modo Super fresco é automaticamente desativado depois de funcionar durante 4,5 h e o modo de Super congelamento será automaticamente desativado depois

de funcionar durante 25 h.

**Nota:** A função de Super congelamento foi concebida para manter o valor nutricional dos alimentos no congelador. Pode congelar os alimentos no tempo mais curto. Se uma grande quantidade de alimentos forem congelados ao mesmo tempo, recomenda-se que seja ativada a função de congelamento rápido antes de colocar os alimentos. A velocidade de congelamento do compartimento de congelamento aumenta e os alimentos são congelados rapidamente, com os seus nutrientes conservados.

### 5.10. ALARME DE PORTA ABERTA

Se a porta do frigorífico permanecer aberta durante 120 segundos, ouvirá um som de aviso até que a porta seja fechada. Pode premir qualquer botão para cancelar o som de aviso.

PT

### 5.11. INDICAÇÃO DE FALHA

Os códigos de erro seguintes que aparecem no painel do visor indicam falhas correspondentes no frigorífico.

Embora o frigorífico ainda possa manter os alimentos frios com as falhas seguintes, o utilizador deve contactar um especialista para a manutenção, assegurando o funcionamento otimizado do aparelho.

Código de erro	Descrição da falha
E1	Falha no sensor de temperatura da câmara frigorífica
E2	Falha no sensor de temperatura da câmara de congelação
E3	Avaria no sensor de temperatura da zona de carne e peixe
E5	Erro no circuito do sensor de deteção de descongelação
E6	Erro de comunicação
E7	Erro no sensor de temperatura ambiente

### 5.12. SUGESTÕES PARA ARMAZENAR ALIMENTOS

- A carne e o peixe cozinhados devem ser sempre colocados numa prateleira acima de carne/peixe cru, de forma a evitar a transferência de bactérias. Mantenha as carnes/os peixes crus num recipiente que seja grande o suficiente para conter os sucos e cobri-los devidamente. Coloque o contentor na prateleira mais baixa.
- Deixe espaço à volta dos alimentos para permitir a circulação de ar no interior da unidade. Assegure-se de que todas as partes do aparelho se mantêm frias.
- Para evitar a transferência de sabores ou que os alimentos sequem, embale ou cubra os alimentos separadamente. As frutas e os legumes não precisam de ser embrulhados.
- Deixe sempre arrefecer os alimentos pré-cozinhados antes de os colocar dentro do aparelho. Isto ajudará a manter a temperatura interna do aparelho.
- Para evitar que saia ar frio do aparelho, tente limitar o número de vezes que abre a porta. Recomendamos abrir a porta unicamente quando precisa de colocar ou tirar alimentos ou bebidas.

### 5.13. SUGESTÕES PARA POUPAR ENERGIA

- O aparelho deve ser instalado na área mais fresca da divisão, afastado de aparelhos que produzam calor ou de condutas de aquecimento e fora do alcance da luz solar direta.
- Deixe os alimentos quentes arrefecerem até à temperatura ambiente antes de os colocar no aparelho. Sobrecarregar o frigorífico força o compressor a trabalhar durante mais tempo. Os alimentos que congelam demasiado lentamente podem perder qualidade ou estragar-se.

- Embale os alimentos adequadamente e seque os recipientes antes de os colocar no aparelho. Isto reduz a acumulação de gelo no interior do aparelho.
- O compartimento de armazenamento do aparelho não deve ser revestido com folha de alumínio, papel vegetal ou toalhas de papel. Os revestimentos interferem com a circulação de ar frio, tornando o aparelho menos eficiente.
- Organize e etiquete os alimentos para reduzir as aberturas da porta e as procuras prolongadas. Retire o máximo de artigos necessários de cada vez e feche a porta assim que possível.
- A combinação de gavetas, cestos e prateleiras apresentada na imagem de descrição do aparelho é a ideal para poupar energia com eficiência. Alterar a combinação proposta pode alterar a eficiência.
- Tente não abrir a porta demasiadas vezes, especialmente com tempo húmido e quente. Quando abrir a porta, feche-a o mais rapidamente possível.
- Verifique periodicamente se o aparelho tem ventilação suficiente (circulação de ar adequada atrás do aparelho).
- Em condições de temperatura normais, defina o termóstato no nível médio.
- Antes de colocar embalagens de alimentos frescos no aparelho, certifique-se de que arrefeceram até à temperatura ambiente.
- As camadas de gelo aumentam o consumo de energia; portanto, limpe o aparelho assim que a camada tiver uma espessura de 3-5 mm.

## 6. MANUTENÇÃO E LIMPEZA

### 6.1. LIMPEZA GERAL

**!** Desligue o frigorífico da corrente para descongelar e limpar.

- O pó por trás do frigorífico e no chão deve ser limpo para aumentar o efeito de refrigeração e poupar energia.
- Verifique regularmente a junta da porta para garantir que não tem detritos. Limpe a junta da porta com um pano macio humedecido com água com sabão ou detergente diluído.
- O interior do frigorífico deve ser limpo regularmente para evitar odores.
- Desligue da corrente antes de limpar o interior, retirar todos os alimentos, bebidas, prateleiras, gavetas, etc.
- Utilize um pano macio ou uma esponja para limpar o interior do frigorífico, com duas colheres de sopa de bicarbonato de soda e um litro de água morna. Em seguida, enxague com água e limpe. Depois de limpar, abra a porta e deixe o frigorífico secar naturalmente antes de o ligar à corrente.
- É recomendado limpar regularmente as áreas difíceis de limpar no frigorífico (tais como espaços estreitos, aberturas ou cantos) com um pano macio, escova macia, etc. e, quando necessário, combinado com ferramentas auxiliares (tais como varas finas) para garantir que não há acumulação de contaminantes ou bactérias nestas áreas.
- Não utilize sabão, detergente, produtos de limpeza em aerossol, etc., já que podem causar odores no interior do frigorífico ou contaminar os alimentos.
- Limpe o suporte de garrafas, prateleiras e gavetas com um pano macio humedecido com água e sabão ou detergente diluído. Seque com um pano macio ou naturalmente.
- Limpe a superfície exterior do frigorífico com um pano macio humedecido em água com sabão, detergente diluído, etc., e, em seguida, seque-a bem.
- Não utilize escovas duras, palha-de-aço, escovas de arame, produtos abrasivos (como pasta de dentes), solventes orgânicos (como álcool, acetona, óleo de banana, etc.), água a ferver, produtos ácidos ou alcalinos, os quais podem



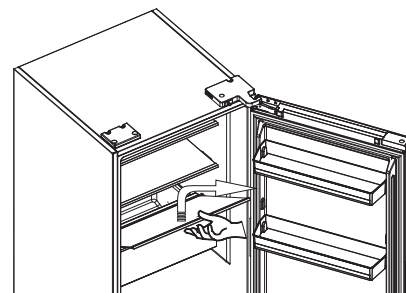


danificar a superfície e o interior do frigorífico. A água a ferver e os solventes orgânicos, tais como a benzina, podem deformar ou danificar as partes plásticas.

- Durante a limpeza, não lave diretamente com água ou outros líquidos para evitar um curto-circuito ou afetar o isolamento elétrico após a imersão.

## 6.2. LIMPAR A PRATELEIRA DE VIDRO

- Retire a gaveta sobre a prateleira de vidro.
- Levante a frente da prateleira de vidro (cerca de 60°) e depois retire-a.
- Retire a prateleira de vidro e limpe-a conforme necessário.
- Para voltar a instalar a prateleira de vidro, faça o movimento inverso ao de remover.



PT

## 6.3. DESCONGELAR

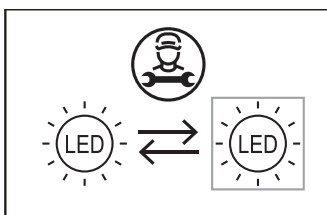
- O frigorífico foi construído com base no princípio da refrigeração do ar e, assim, possui uma função de descongelação automática. O gelo formado no seguimento de uma mudança de estação ou de temperatura também pode ser removido manualmente, desligando o aparelho da corrente ou limpando-o com uma toalha seca.

## 6.4. FORA DE FUNCIONAMENTO

- Falha de energia: Em caso de falha de energia, mesmo no verão, os alimentos podem manter-se conservados durante várias horas; durante a falha de energia, o número de vezes que a porta é aberta deve ser reduzido e não devem ser colocados mais alimentos frescos dentro do aparelho.
- Sem utilização prolongada: O aparelho deve ser desligado da ficha e limpo de seguida; as portas devem ser deixadas abertas para evitar odores.
- Deslocar: Antes de mover o frigorífico, retire todos os artigos do interior, fixe as divisórias de vidro, a caixa de frescos, as gavetas do congelador, etc., com fita, e aperte bem os pés niveladores; feche as portas e fixe-as com fita. Durante a deslocação, o aparelho não deve ser virado para baixo ou horizontalmente, nem sofrer vibrações; a inclinação durante a movimentação não pode ser superior a 45°. Não segure na porta e na dobradiça quando mover este aparelho.

**!** O aparelho deve funcionar ininterruptamente uma vez ligado. Geralmente, o funcionamento do aparelho não pode ser interrompido, caso contrário, a sua vida útil pode ser afetada.

## 6.5. MUDAR A LUZ



- A substituição e a manutenção das lâmpadas LED devem ser realizadas pelo fabricante, pelo agente de serviço ou por pessoal igualmente qualificado.

A fonte de luz neste produto apenas pode ser substituída por técnicos qualificados.

	<p>1. Desligue da tomada antes de retirar.</p>		<p>2. Retire o abajur com uma chave de fendas.</p>
	<p>3. Retire o painel da lâmpada.</p>		<p>4. Remova o terminal de ligação.</p>

## 7. RESOLUÇÃO DE PROBLEMAS

O utilizador pode tentar resolver os seguintes problemas simples. Se não puderem ser resolvidos, entre em contacto com o departamento de pós-vendas.

Problema	Solução recomendada
A operação falhou	Verifique se o aparelho está ligado à corrente ou se a ficha está bem ligada. Verifique se a tensão é demasiado baixa. Verifique se há uma falha de energia ou se disparou algum circuito parcial.
Odor	Os alimentos que produzam odores devem ser devidamente embalados. Verifique se existem alimentos podres. O interior do frigorífico deve ser limpo.
Funcionamento prolongado do compressor	É normal o frigorífico funcionar durante mais tempo no verão quando a temperatura ambiente é mais alta. Não coloque demasiados alimentos no aparelho de uma vez. Não coloque alimentos até terem arrefecido. As portas são abertas com demasiada frequência.
A luz não acende	Verifique se o frigorífico está ligado à corrente e se a lâmpada está danificada. Procure um técnico para substituir a lâmpada se estiver danificada.
As portas não fecham bem	A porta está obstruída com embalagens de alimentos. Colocou demasiados alimentos. O frigorífico está inclinado.
Ruído alto	Verifique se o chão está nivelado e se o frigorífico está posicionado de forma estável. Verifique se os acessórios estão no sítio correto.
O vedante da porta não está apertado	Remova qualquer corpo estranho no vedante da porta. Aqueça o vedante da porta e, em seguida, arrefeça-o para o restaurar (ou utilize um secador elétrico ou uma toalha quente para o aquecer).
O coletor de água transborda	Existem demasiados alimentos na câmara ou os alimentos armazenados contêm demasiada água, resultando num descongelamento abundante. As portas não estão bem fechadas, o que resulta em gelo devido à entrada de ar e ao aumento de água devido ao descongelamento.
Invólucro quente	A dissipação de calor do condensador incorporado através do invólucro é normal. Garanta uma ventilação suficiente para facilitar a dissipação do calor quando o aparelho aquece devido à alta temperatura ambiente, ao armazenamento de demasiados alimentos ou à paragem de funcionamento do compressor.
Condensação na superfície	A condensação na superfície exterior e nos vedantes das portas do frigorífico é normal quando a humidade ambiente é demasiado alta. Simplesmente limpe a condensação com um pano limpo.

**Tabela 1 Classes climáticas**

<b>Classe</b>	<b>Símbolo</b>	<b>Intervalo de temperatura ambiente (°C)</b>
Temperada alargada	SN	+ 10 a + 32
Temperado	N	+ 16 a + 32
Subtropical	ST	+ 16 a + 38
Tropical	T	+ 16 a + 43

PT

Temperada alargada: este aparelho de refrigeração destina-se a ser utilizado a temperaturas ambiente entre 10 °C e 32 °C;

Temperado: este aparelho de refrigeração destina-se a ser utilizado a temperaturas ambiente entre 16 °C e 32 °C;

Subtropical: este aparelho de refrigeração destina-se a ser utilizado a temperaturas ambiente entre 16 °C e 38 °C;

Tropical: este aparelho de refrigeração destina-se a ser utilizado a temperaturas ambiente entre 16 °C e 43 °C.

As peças encomendadas na tabela a seguir podem ser adquiridas a partir de \_\_\_\_\_ :

<b>Peça encomendada</b>	<b>Fornecida por</b>	<b>Tempo mínimo necessário para o aprovisionamento</b>
termóstatos	Pessoal de manutenção profissional	Pelo menos 7 anos após o lançamento do último modelo no mercado
sensores de temperatura	Pessoal de manutenção profissional	Pelo menos 7 anos após o lançamento do último modelo no mercado
placas de circuito impresso	Pessoal de manutenção profissional	Pelo menos 7 anos após o lançamento do último modelo no mercado
fontes de luz	Pessoal de manutenção profissional	Pelo menos 7 anos após o lançamento do último modelo no mercado
puxadores da porta	Reparadores profissionais e utilizadores finais	Pelo menos 7 anos após o lançamento do último modelo no mercado
dobradiças da porta	Reparadores profissionais e utilizadores finais	Pelo menos 7 anos após o lançamento do último modelo no mercado
tabuleiros	Reparadores profissionais e utilizadores finais	Pelo menos 7 anos após o lançamento do último modelo no mercado
cestos	Reparadores profissionais e utilizadores finais	Pelo menos 7 anos após o lançamento do último modelo no mercado
juntas da porta	Reparadores profissionais e utilizadores finais	Pelo menos 10 anos após o lançamento do último modelo no mercado

O período de tempo mais curto para fornecer peças sobresselentes de pós-vendas é 15 dias úteis.

A informação do modelo na base de dados do produto, bem como o identificador do modelo, podem ser obtidos através de uma ligação Web lida por meio de um código QR na etiqueta energética do produto.

Caro(a) cliente,

1. Se quiser devolver ou substituir o produto, contacte a loja onde o adquiriu.  
(Lembre-se de ter consigo a fatura da compra)
2. Se o seu produto não funcionar corretamente e precisar de reparação, entre em contacto com o serviço de pós-vendas.

### Ficha técnica do produto relativa à (UE) 2019/2019

A ficha técnica do seu aparelho pode ser encontrada online se pretender transferir uma cópia.

Aceda a <https://eprel.ec.europa.eu/> e introduza o identificador do modelo do seu aparelho para transferir a ficha de dados.

O identificador do modelo do seu aparelho pode ser encontrado na placa de classificação na parte de trás/no interior do aparelho.

### Empacotar alimentos congelados

Para evitar que os alimentos percam o sabor ou que sequem, coloque os alimentos numa embalagem hermética.

1. Coloque o alimento na embalagem.
2. Retire o ar.
3. Sele o invólucro.
4. Rotule a embalagem com o conteúdo e as datas da congelação

### Recommended storage times of frozen food in the freezer compartment

These times vary depending on the type of food. The food that you freeze can be preserved from 1 to 12 months (minimum at -18°C).

Food	Storage time
Bacon, casseroles, milks	1 month
Bread, ice cream, sausages, pies, prepared shellfish, oily fish	2 month
Non-oily fish, shellfish, pizza, scones and muffins	3 month
Ham, cakes, biscuits, beef and lamb chops, poultry pieces	4 month
Butter, vegetables (blanched), eggs whole and yolks, cooked	6 month
crayfish, minced meat (raw), pork (raw)	12 month
Fruit (dry or in syrup), egg whites, beef (raw), whole chicken, lamb (raw), fruit cakes	1 month

### Never forget:

- When you freeze fresh foods with a 'use by/best before/best by/' date, you must freeze them before this date expires.
- Check that the food was not already frozen. Indeed, frozen food that has thawed completely must not be refrozen.
- Once defrosted, food should be consumed quickly.

### Making ice cubes

Fill the ice cube tray with 3/4 full of drinking water and place in the freezer drawer.  
 If the ice cube tray is stuck to the freezer drawer, loosen with a blunt tool only.  
 To loosen the ice cubes, twist the ice cube tray slightly or hold briefly under flowing water.

**Door opening alarm**

If the fridge door is left open for approximately 120 seconds, the alarm will sound.  
 To turn off the alarm, you can close the door or press any button.

**Operating noises**

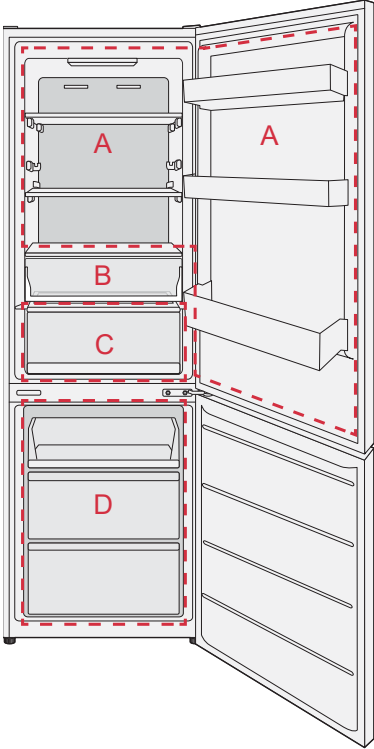
Normal noises

- Motors are running. Refrigerant is flowing through the tubing.

**Moving your refrigerator freezer**

- Unplug the refrigerator freezer.

**Armazenamento de alimentos e bebidas**

	<b>Zona</b>	<b>Definições da temperatura e alimentos recomendados</b>
	A	<p><b>Compartmento do frigorífico (4 °C)</b>                      - Armazenamento de alimentos para o consumo diário, iguarias, iogurte, molhos, vegetais em conserva, sobremesas.                      - Armazenamento de carne, peixe, salsichas, massa fresca com recheio, alimentos cozinhados, sobras.</p>
	B	<p><b>Prateleira da porta (4 °C)</b>                      Armazenamento de bebidas, leite, iogurte, ovos e manteiga.</p>
	C	<p><b>Compartmento da fruta e vegetais (4 °C)</b></p>
	D	<p><b>Refrigerador extra (0 °C - 6 °C))</b>                      Armazenamento de peixe, carne crua que está prestes a ser cozinhada</p>
		<p><b>Congelador (-18 °C)</b>                      Alimentos para um armazenamento prolongado                      - Gaveta superior: Armazenamento de alimentos congelados e gelado.                      - Gavetas intermédias: Armazenamento de carne crua, aves, peixe.                      - Gavetas inferiores: Armazenamento de vegetais congelados, batatas fritas</p>

## 8. GARANTIAS

### Garantias e limites de responsabilidade

Os produtos têm uma garantia de 36 meses a partir da data de compra ou da data de entrega no domicílio do cliente. Dependendo do país, esta garantia consiste em 24 a 36 meses de garantia legal de conformidade. Para os países que não beneficiem de uma garantia legal de conformidade de 24 meses, entra em vigor uma garantia comercial de 12 meses após o termo da primeira garantia, e como complemento desta.

### Modalidades de acionamento das garantias

#### Para a garantia legal de conformidade

Convidamo-lo(a) a informar-se junto do seu distribuidor e/ou a consultar as CGV (Condições Gerais de Venda).

#### Para a garantia comercial

Convidamo-lo(a) a devolver o seu produto na receção do seu local de compra com o comprovativo de compra (tal como o recibo), o produto e os acessórios fornecidos, com a embalagem original, para todos os países, com exceção da França. É importante ter a informação da data de compra, o modelo e o número de série ou IMEI (estas informações aparecem habitualmente no produto, na embalagem ou no comprovativo de compra). Deve devolver o produto com os acessórios necessários ao seu correto funcionamento (alimentação, adaptador, etc.). No caso de a sua reclamação estar abrangida pela garantia, o serviço pós-venda poderá, dentro dos limites da legislação local:

- Reparar ou substituir as peças defeituosas.
- Trocar o produto devolvido por um produto que tenha, no mínimo, as mesmas funcionalidades e que seja equivalente em termos de desempenho.
- Reembolsar o produto pelo preço de compra mencionado no comprovativo de compra.

Os produtos reparados ou substituídos podem incluir componentes e equipamentos novos e/ou reconicionados.

### Exclusão da garantia comercial:

- Danos ou problemas causados pela utilização incorreta, acidentes, alteração ou ligação elétrica com corrente ou tensão incorreta.
- Utilização ou armazenamento prejudicial à boa conservação do dispositivo (oxidação, corrosão), utilização de energia, utilização ou instalação não conforme as instruções do fabricante, ou negligência ou utilização de periféricos, software ou consumíveis inadequados.
- Utilização profissional ou coletiva, industrial ou comercial do produto.
- Produtos modificados, aqueles cujo o selo de garantia ou o número de série tenham sido danificados, alterados, removidos ou oxidados.
- As baterias substituíveis e os acessórios têm uma garantia de 6 meses.
- Falha da bateria, provocada por um carregamento demasiado prolongado ou pelo desrespeito das instruções de segurança explicadas no manual de instruções.
- Danos estéticos, incluindo riscos, mossas ou vandalismo.
- Danos provocados por qualquer intervenção efetuada por uma pessoa não autorizada.
- Falhas provocadas pelo desgaste normal ou devidos ao envelhecimento normal do produto: vedantes, filtros, acessórios, escova e mangueira do aspirador, lâmpadas, lâmpadas de retroprojector, pás de máquina de lavar, etc.
- Atualizações do programa, devido a alterações nas configurações de rede.
- Danos decorrentes de elementos exteriores ao aparelho (corpos estranhos, insetos, etc.).
- Conteúdo dos aparelhos - congelador, máquina de lavar...- (alimentos, vestuário,...)
- Falhas no produto devido à utilização de programas de terceiros para modificar, alterar, adaptar ou modificar o já existente.
- Falhas no produto devido à utilização sem os acessórios fornecidos com o produto ou homologados pelo Fabricante.
- Peças com desgaste normal ou danos de utilização: pneu, câmara de ar, travão,...

O cliente deve ser pessoalmente responsável pelo backup regular dos dados contidos no seu disco rígido ou na memória interna do seu dispositivo, e isto antes de qualquer entrega.

O Auchan não pode ser responsabilizado pela perda ou destruição de dados armazenados, nem pelo danos no software resultantes, nomeadamente, de uma reparação ou avaria.

Da mesma forma, o fabricante não é obrigado a verificar se os cartões SIM / SD foram devidamente retirados dos produtos devolvidos.

As disposições anteriores não podem, de forma alguma, reduzir ou eliminar: a garantia legal acima referida, e a garantia comercial do fabricante, se existente (cf. certificado de garantia.).

# PRZEGLĄD TREŚCI:

1. INSTRUKCJE BEZPIECZEŃSTWA	S. 95
2. SPECYFIKACJA TECHNICZNA	S. 101
3. OPIS PRODUKTU	S. 101
4. INSTALACJA	S. 102
5. OBSŁUGA	S. 107
6. KONSERWACJA I CZYSZCZENIE	S. 110
7. ROZWIĄZYWANIE PROBLEMÓW	S. 112
8. GWARANCJE	S. 116

PL

## 1. INSTRUKCJE BEZPIECZEŃSTWA

Przed użyciem urządzenia należy dokładnie przeczytać niniejszą instrukcję obsługi i zachować ją w celu skorzystania w przyszłości.

### 1.1. OSTRZEŻENIE



Ostrzeżenie: Ryzyko wystąpienia pożaru/ materiały łatwopalne!

1. To urządzenie jest przeznaczone do użytku w gospodarstwach domowych i do podobnych środowisk, takich jak kuchnie dla personelu w sklepach, biurach i innych miejscach pracy; gospodarstwach rolnych oraz przez klientów w hotelach, motelach i innych miejscach mieszkalnych; zakwaterowaniach typu bed and breakfast; lokalach gastronomicznych i innych miejscach niehandlowych.
2. Aby uniknąć zagrożenia w przypadku uszkodzenia przewodu zasilającego, musi zostać on wymieniony przez producenta, serwisanta lub osobę posiadającą podobne kwalifikacje.
3. W urządzeniu nie wolno przechowywać substancji wybuchowych jak pojemniki z aerosolem wypełnione łatwopalnym gazem pędnym.
4. Po użyciu i przed przeprowadzeniem przez użytkownika konserwacji urządzenia należy odłączyć je od gniazda.
5. Ostrzeżenie: Otwory wentylacyjne w obudowie urządzenia lub wbudowanej konstrukcji powinny pozostać wolne od przeszkód.
6. Ostrzeżenie: Nie należy korzystać z urządzeń mechanicznych lub innych środków do przyspieszenia procesu rozmrażania poza tymi zalecanymi przez producenta.
7. Ostrzeżenie: Nie dopuść do uszkodzenia obwodu czynnika chłodniczego.
8. Gaz chłodniczy R600a, znajdujący się w lodówce, jest gazem naturalnym. Nie jest on szkodliwy dla środowiska naturalnego, ale jest łatwopalny. Ważne jest zatem, by transport i instalacja lodówki były przeprowadzane ostrożnie w celu uniknięcia uszkodzenia przewodów czynnika chłodniczego. W przypadku wycieku gazu należy unikać kontaktu z pobliskimi płomieniami lub ogniem oraz przewietrzyć pomieszczenie.
9. Ostrzeżenie: Wewnątrz komór przechowywania urządzenia nie wolno korzystać z urządzeń elektrycznych, chyba że są one typu zatwierdzonego przez producenta.
10. Ostrzeżenie: Chłodziarkę należy utylizować zgodnie z miejscowymi przepisami, gdyż wykorzystuje ona łatwopalny i wybuchowy gaz oraz płyn chłodniczy.
11. Ostrzeżenie: Podczas umieszczania urządzenia należy upewnić się, że kabel zasilania nie jest przytrzaśnięty lub uszkodzony.

12. Ostrzeżenie: Nie umieszczaj w tylnej części urządzenia wielu gniazd przedłużaczy ani przenośnych zasilaczy.
13. Nie używać przedłużaczy ani nieuziemionych adapterów (z dwoma wtykami).
14. Niebezpieczeństwo: Ryzyko uwięzienia dziecka. Przed zutylizowaniem starej chłodziarki lub zamrażarki:
  - Zdemontuj drzwi.
  - Półki pozostaw na miejscu, aby dzieci nie mogły wejść do środka.
15. Przed przystąpieniem do montażu akcesoriów odłącz lodówkę od źródła zasilania elektrycznego.
16. Zastosowany w urządzeniu czynnik chłodniczy i cyklopentan spieniający są łatwopalne. Dlatego też w trakcie złomowania urządzenia należy przechowywać je z dala od wszelkich źródeł ognia; jego utylizację — w sposób inny niż poprzez spalanie, tak aby zapobiec szkodom dla środowiska lub jakimkolwiek innym szkodom — należy powierzyć profesjonalnej, posiadającej odpowiednie kwalifikacje firmie, wyspecjalizowanej w recyklingu.
17. W przypadku drzwi lub pokryw wyposażonych w zamki i klucze, klucze należy przechowywać w miejscu niedostępnym dla dzieci, a nie w pobliżu chłodziarki, aby uniemożliwić uwięzienie dzieci wewnątrz.
18. W przypadku normy UE: Z niniejszego urządzenia mogą korzystać dzieci od lat 8 oraz osoby o ograniczonych zdolnościach fizycznych, sensorycznych i umysłowych lub nieposiadające doświadczenia i wiedzy, jeśli pozostają pod nadzorem lub zostały poinstruowane odnośnie do korzystania z urządzenia w bezpieczny sposób i rozumieją związane z tym zagrożenia. Dzieci nie powinny bawić się urządzeniem. Czyszczenie i konserwacja dokonywane przez dzieci nie powinny odbywać się bez nadzoru. Dzieci w wieku 3–8 lat mogą ładować i rozładowywać chłodziarki.
19. Aby zapobiec skażeniu żywności, przestrzegaj poniższych zasad.
  - Pozostawianie otwartych drzwi przez długi czas może prowadzić do znacznego wzrostu temperatury w komorach urządzenia.
  - Regularnie czyść powierzchnie, które mają kontakt z żywnością i systemem odpływowym.
  - Wyczyść zbiorniki na wodę, jeżeli nie były używane przez 48 godzin: przepłucz system dostarczania wody podłączony do sieci wodociągowej, jeżeli woda nie była pobierana przez 5 dni. (Uwaga 1.)
  - Surowe mięso i ryby przechowuj w chłodziarce w odpowiednich pojemnikach, aby uniknąć kontaktu z innymi produktami lub wyciekania soków na inne produkty żywnościowe.
  - Komory na mrożonki oznaczone dwoma gwiazdkami są przystosowane do przechowywania wcześniej zamrożonej żywności, przechowywania lub robienia lodów i robienia lodu w kostkach. (Uwaga 2.)
  - Komory oznaczone jedną, dwiema i trzema gwiazdkami nie nadają się do mrożenia świeżej żywności. (Uwaga 3.)
  - W przypadku urządzeń, które nie posiadają komory oznaczonej czterema gwiazdkami: To urządzenie chłodnicze nie nadaje się do zamrażania żywności. (Uwaga 4.)
  - Jeżeli pusta chłodziarka nie będzie używana przez długi czas, należy ją wyłączyć, rozmrozić, wyczyścić, wysuszyć i pozostawić z otwartymi drzwiami, aby zapobiec pojawianiu się pleśni wewnątrz urządzenia.
  - Uwaga 1,2,3,4: Potwierdź, czy ma zastosowanie w zależności od typu komory urządzenia.
20. W przypadku urządzenia wolnostojącego: Chłodziarka nie jest przeznaczona do użytku jako urządzenie do zabudowy.
21. Każda wymiana lub konserwacja lampek LED powinna być przeprowadzana przez producenta, jego serwisanta lub osobę o podobnych kwalifikacjach. (Patrz rozdział 6.5, aby uzyskać informacje dotyczące wymiany lampki)
22. Produkt zawiera źródło światła o klasie energooszczędności (G).



23. **OSTRZEŻENIE:** Aby uniknąć zagrożenia spowodowanego niestabilnością urządzenia, musi być ono zamocowane zgodnie z instrukcjami.
24. **OSTRZEŻENIE:** Podłączać wyłącznie do zasilania w wodą pitną. (Dotyczy urządzenia do robienia lodu w kostkach).
25. Aby uniknąć zagrożenia, iż dziecko zostanie uwięzione, przechowywać poza zasięgiem dzieci i z dala od chłodziarki (lub zamrażarki). (Dotyczy produktów z blokadami).

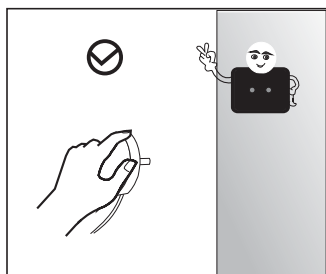
## 1.2. ZNACZENIE SYMBOLI OSTRZEGAWCZYCH DOTYCZĄCYCH BEZPIECZEŃSTWA

	<p>Jest to symbol zakazu. Niezastosowanie się do instrukcji oznaczonych tym symbolem może spowodować uszkodzenie produktu lub zagrazić bezpieczeństwu użytkownika.</p>
	<p>Jest to symbol ostrzegawczy. Należy ściśle przestrzegać instrukcji oznaczonych tym symbolem. W innym przypadku może dojść do uszkodzenia produktu lub powstania obrażeń ciała.</p>
	<p>Jest to symbol ostrzegawczy. Instrukcje oznaczone tym symbolem wymagają szczególnej ostrożności. Niezastosowanie wystarczającej uwagi może doprowadzić do powstania lekkiego lub umiarkowanego obrażenia ciała użytkownika lub uszkodzenia produktu.</p>

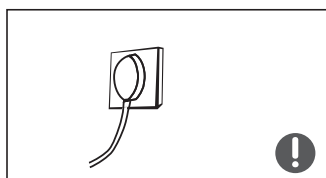
PL

Niniejsza instrukcja zawiera wiele ważnych informacji dotyczących bezpieczeństwa, których użytkownicy powinni przestrzegać.

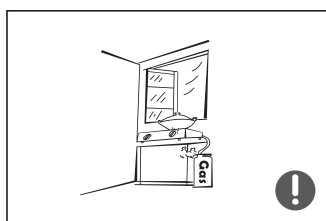
## 1.3. OSTRZEŻENIA DOTYCZĄCE PRĄDU ELEKTRYCZNEGO



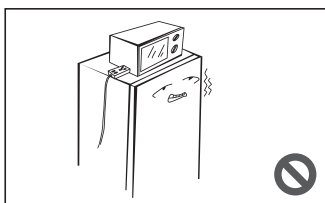
- Nie pociągaj za przewód zasilający podczas wyciągania wtyczki zasilającej chłodziarkę. Chwyć pewnie wtyczkę i wyciągnij ją bezpośrednio z gniazda.
- Aby zapewnić bezpieczne użytkowanie, nie dopuszczaj do uszkodzenia przewodu zasilającego ani nie korzystaj z urządzenia w przypadku jego uszkodzenia lub zużycia.



- Korzystaj z odrębnego gniazda elektrycznego. Nie korzystaj z gniazda, które jest współdzielone z innymi urządzeniami elektrycznymi.
- Wtyczka zasilania powinna mocno przylegać do gniazda. W przeciwnym razie może dojść do powstania pożaru.
- Upewnij się, że pin uziemiający gniazdo elektryczne jest wyposażony w sprawie działający przewód uziemiający.

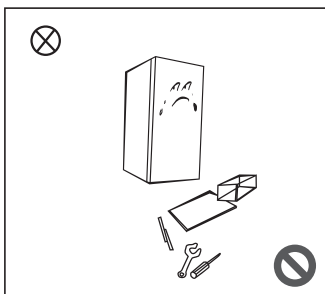


- W przypadku wycieku gazu i innych gazów palnych zamknij zawór wyciekającego gazu, a następnie otwórz drzwi i okna. Nie odłączaj chłodziarki ani innych urządzeń elektrycznych, ponieważ iskra może spowodować pożar.

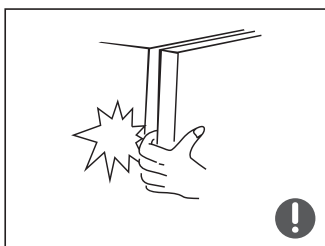


- Nie wolno korzystać z urządzeń elektrycznych, znajdujących się na górnej części urządzenia, chyba że zostały zatwierdzone przez producenta.

#### 1.4. OSTRZEŻENIA DOTYCZĄCE UŻYTKOWANIA



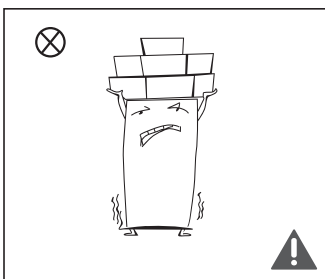
- Nie rozbierać ani nie modyfikować lodówki w dowolny sposób, a także nie dopuszczać do uszkodzenia obwodu czynnika chłodniczego. Czynności konserwacyjne urządzenia powinny być wykonywane przez osobę wykwalifikowaną.
- Aby uniknąć powstania niebezpieczeństwa, uszkodzony przewód zasilający musi zostać wymieniony przez producenta, dział konserwacji lub specjalistów.



- Aby zapobiec zakleszczeniu palców, należy pamiętać aby nie wkładać rąk w szczeliny między drzwiami chłodziarki oraz między drzwiami a korpusem chłodziarki, ponieważ te miejsca są niewielkie. Drzwi chłodziarki zamykaj delikatnie, by uniknąć wypadania produktów.
- Nie wyciągaj żywności ani pojemników znajdujących się w komorze zamrażarki mokrymi rękami, gdy lodówka jest uruchomiona, zwłaszcza metalowych pojemników, aby uniknąć powstawania odmrożeń.

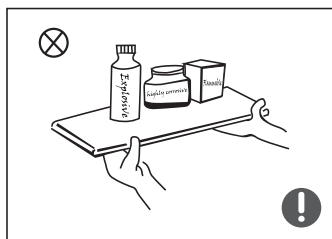


- Nie pozwalaj dziecku wchodzić do chłodziarki ani wspinać się na nią. W przeciwnym razie może dojść do uduszenia lub upadku dziecka.

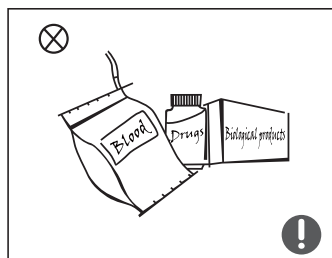


- Nie umieszczaj ciężkich przedmiotów na górnej części chłodziarki, ponieważ przedmioty mogą spaść po zamknięciu lub otwarciu drzwi i mogą spowodować przypadkowe obrażenia.
- Wyciągnij wtyczkę z gniazda zasilającego w przypadku awarii zasilania lub przed rozpoczęciem czyszczenia. Nie podłączaj chłodziarki do zasilania w ciągu pięciu kolejnych minut, aby zapobiec uszkodzeniu sprężarki w wyniku kolejnych uruchomień.

## 1.5. OSTRZEŻENIA DOTYCZĄCE LOKALIZACJI URZĄDZENIA



- Do lodówki nie należy wkładać łatwopalnych, wybuchowych, lotnych ani wysoce żrących przedmiotów w celu uniknięcia uszkodzenia produktu lub zagrożenia pożarem.
- W pobliżu lodówki nie należy umieszczać przedmiotów łatwopalnych, aby uniknąć pożaru.



- Chłodziarka jest przeznaczona do użytku domowego, takiego jak przechowywanie żywności i nie powinna być wykorzystywana do innych celów, takich jak przechowywanie krwi, leków lub produktów biologicznych itp.



- Nie przechowywać piwa, napojów ani innych płynów w butelkach lub zamkniętych pojemnikach w komorze zamrażarki lodówki. Butelki lub zamknięte pojemniki mogą pęknąć ze względu na zwiększenie się objętości płynów po ich zamrożeniu.

## 1.6. OSTRZEŻENIA DOTYCZĄCE ENERGII

1) Chłodziarki mogą nie działać w poprawnie (możliwość rozmrożenia zawartości lub zbyt wysoka temperatura w komorze mrożonej żywności), gdy przez dłuższy czas znajdują się w miejscu, w którym panuje temperatura poniżej dolnej granicy zakresu temperatur, dla którego chłodziarka została zaprojektowana.

2) Napoje gazowane nie powinny być przechowywane w komorach lub szafach zamrażalnika lub w komorach lub szafach, w których panuje niska temperatura oraz że niektóre produkty, takie jak lody wodne, nie powinny być spożywane, jeżeli mają zbyt niską temperaturę.

3) Nie przekraczaj czasu przechowywania w zamrażarkach i komorach lub szafkach do przechowywania mrożonek zalecanego przez producentów żywności dla każdego rodzaju żywności, a w szczególności dla dostępnych w handlu produktów głęboko mrożonych.

4) Podejmij niezbędne środki ostrożności, aby zapobiec nadmiernemu wzrostowi temperatury mrożonej żywności podczas rozmrażania chłodziarki, np. owiń mrożoną żywność w kilka warstw papieru gazetowego.

5) Wzrost temperatury mrożonej żywności podczas ręcznego rozmrażania, konserwacji lub czyszczenia może skrócić okres przechowywania.

## 1.7. OSTRZEŻENIA DOTYCZĄCE UTYLIZACJI

⊘ Czynniki chłodnicze i pianka spieniana cyklopentanem zastosowane w lodówce są łatwopalne. W związku z tym, w czasie złomowania lodówki, powinna być przechowywana z dala od jakiegokolwiek źródła ognia i zutylizowana przez specjalne przedsiębiorstwo zajmujące się utylizacją urządzeń, posiadające odpowiednie kwalifikacje inne niż utylizowanie na drodze spalania, tak aby zapobiec powstawaniu zanieczyszczenia środowiska lub innych szkód.

⚠ Podczas złomowania chłodziarki, należy zdemontować drzwi i usunąć ich uszczelkę oraz półki, aby zapobiec uwięzieniu w niej dzieci.



Ten znak wskazuje, że na terenie UE produkt nie powinien być wyrzucany z odpadami domowymi. Aby uniknąć skażenia środowiska i zagrożenia zdrowia ludzi wynikającego z niekontrolowanej utylizacji odpadów, należy podać produkt recyklingowi, który umożliwi odzyskanie części surowców. Aby poprawnie zutylizować zużyte urządzenie, należy skorzystać z systemów zwrotu i odbioru elektrośmieci lub skontaktować się z punktem sprzedaży, w którym produkt został nabyty. Pozwoli to na zapewnienie bezpiecznego dla środowiska recyklingu urządzenia.

PL

## 2. SPECYFIKACJA TECHNICZNA

Zasilanie	220–240 V~, 50 Hz
Natężenie znamionowe	1,1 A
Zużycie energii	177 kWh/a
Klasa ochrony	Klasa I
Klasa klimatyczna	SN/N/ST/T
Moc znamionowa lampy	Maks. 4,5 W
Całkowita objętość	378 L
Pojemność komory na świeżą żywność	216 L
Pojemność komory chłodzenia	40 L
Komora oznaczona czterema gwiazdkami	122 L
Czynnik chłodniczy i ilość wtryskowa	R600a/55g
Zdolność zamrażania	7,5 kg/24 godz.
Wymiary (wys. x dł. x szer.)	2010 x 700 x 595 mm
Masa netto	85 kg

PL

## 3. OPIS PRODUKTU

### 3.1. PRODUKT

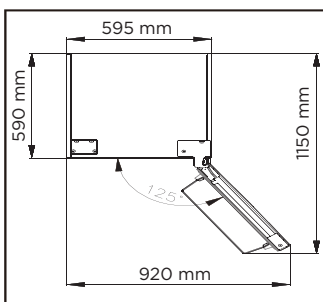
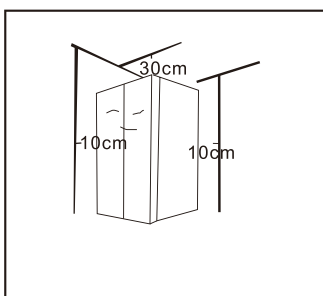
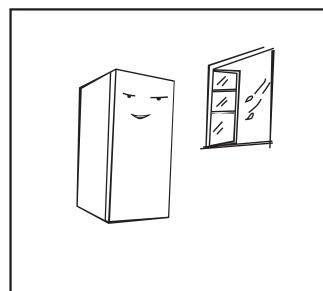
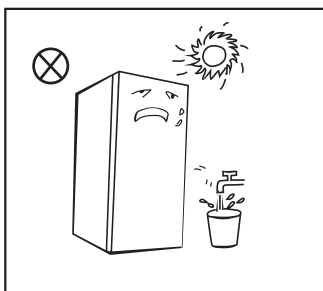
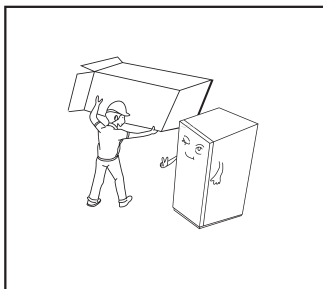
- |   |                             |
|---|-----------------------------|
| 1. Diody LED                                  | 5. Pojemnik na mięso i ryby |
| 2. Półka                                      | 6. Szuflada                 |
| 3. Oświetlenie LED<br>(w niektórych modelach) | 7. Półka drzwiowa           |
| 4. Pojemnik na owoce i warzywa                | 8. Przełącznik drzwiowy     |

### 3.2. PANEL WYŚWIETLACZA

- |   |   |
|---|---|
| 1. Obszar wyświetlania temperatury w komorze lodówki      | 6. Ikona blokady  |
| 2. Obszar wyświetlania temperatury w komorze zamrażalnika | A. Przycisk ustawienia temperatury w komorze lodówki        |
| 3. Ikona szybkiego schładzania                            | B. Przycisk ustawienia temperatury w komorze zamrażarki     |
| 4. Ikona szybkiego zamrażania                             | C. Przycisk intensywnego chłodzenia/intensywnego zamrażania |
| 5. Ikona wakacyjna  |   |

## 4. INSTALACJA

### 4.1. UMIESZCZENIE



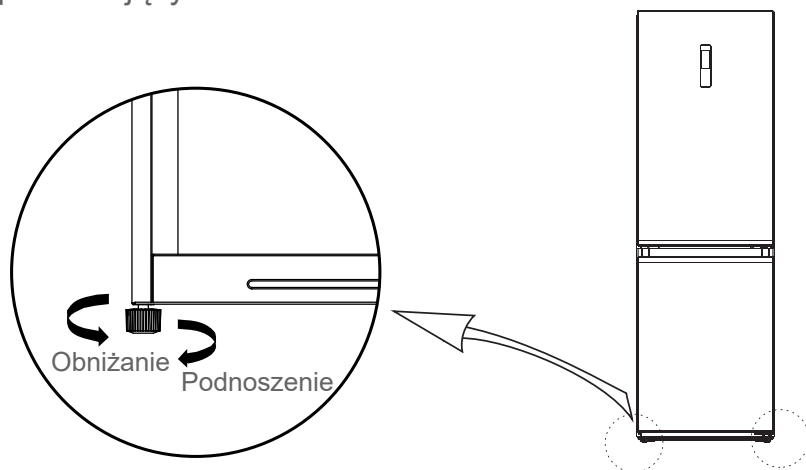
- Przed użyciem usunąć wszystkie materiały opakowaniowe, w tym dolne poduszki, piankowe podkładki i taśmy z wnętrza lodówki. Usunąć folię ochronną, znajdującą się na drzwiach i korpusie lodówki.
- Pozostaw materiały opakowaniowe i inne części w miejscu niedostępnym dla dzieci, aby zapobiec ryzyku uduszenia.
- Umieść urządzenie z dala od źródeł ciepła i unikaj narażenia urządzenia na bezpośrednie działanie światła słonecznego. Nie umieszczaj zamrażarki w wilgotnych miejscach ani w środowiskach narażonych na działanie wody, aby zapobiec powstawaniu rdzy lub zmniejszyć działanie izolacyjne.
- Nie rozpylaj produktów ani nie myj chłodziarki. Nie umieszczaj chłodziarki w wilgotnych miejscach, w których może być narażona na oblanie wodą, aby nie wpłynąć na elektryczne właściwości izolacyjne lodówki.
- Umieść chłodziarkę w dobrze wentylowanym pomieszczeniu. Powierzchnia musi być płaska i wytrzymała (obróć urządzenie w lewo lub w prawo, aby wyregulować koło poziomujące, jeśli urządzenie jest niestabilne).
- Lodówkę należy zainstalować jako urządzenie niezależne. Nie można jej zabudowywać w szafach kuchennych. Zabudowa może spowodować wystąpienie problemów, takich jak brak możliwości montażu w szafie, a także skrócenie okresu eksploatacji urządzenia i spadek jego wydajności. Taki montaż powoduje też utratę gwarancji producenta.
- Powierzchnia, na której zostanie umieszczona chłodziarka powinna być o 30 cm większa niż chłodziarka, a urządzenie powinno być umieszczone przy ścianie w odległości większej niż 10 cm, aby ułatwić rozpraszanie ciepła.
- Zapewnij wystarczająco dużo miejsca, aby otwieranie drzwi i szuflad było wygodne.

#### ! Środki ostrożności przed instalacją:

- Przed instalacją lub regulacją akcesoriów upewnij się, że chłodziarka jest odłączona od zasilania.
- Należy podjąć środki ostrożności, aby zapobiec upadkowi urządzenia, które może spowodować obrażenia ciała.

## 4.2. NÓŻKI POZIOMUJĄCE

Schemat nóżek poziomujących:



**Uwaga:** Powyższe zdjęcie ma charakter wyłącznie informacyjny. Rzeczywista konfiguracja będzie uzależniona od fizycznego urządzenia lub oświadczenia dystrybutora.

**Procedura dotycząca dostosowania urządzenia:**

1. Obrócić nóżki w prawo, aby unieść lodówkę.
2. Obrócić nóżki w lewo, aby ją obniżyć.
3. Dostosuj prawą i lewą nóżkę, aby wypoziomować urządzenie w płaszczyźnie horyzontalnej.

## 4.3. ZMIANA KIERUNKU OTWIERANIA DRZWI

Wymagane narzędzia:

	Wkrętak krzyżakowy		Śrubokręt z płaską i cienką końcówką
	5/16" klucz nasadowy z grzechotką		Taśma maskująca

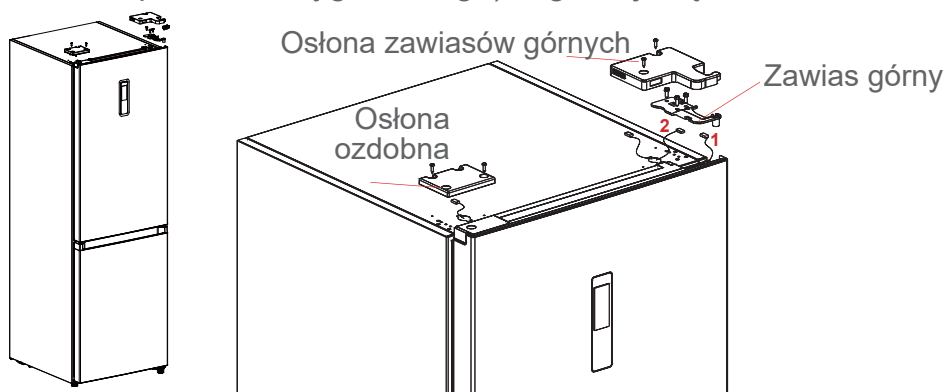
**Uwaga:** Powyższe narzędzia nie są załączone w zestawie.

**Części do użycia podczas zmiany kierunku otwierania drzwi:**

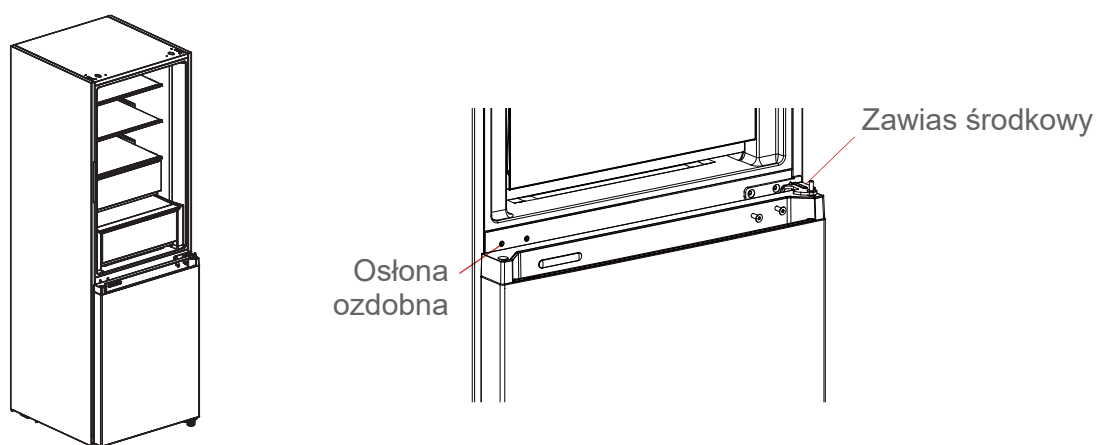
Nr	Część	Ilość	Uwaga
1	Zawias górny	1	Zainstalowany na lodówce, usuwany i składowany podczas zmiany kierunku drzwi
2	Osłona zawiasów górnych	1	Zainstalowany na lodówce, usuwany i składowany podczas zmiany kierunku drzwi
3	Osłona ozdobna	1	Zainstalowany na lodówce, usuwany i składowany podczas zmiany kierunku drzwi
4	Samozamykacz drzwi	2	Zainstalowany na lodówce, usuwany i składowany podczas zmiany kierunku drzwi
5	Zawias środkowy	1	Zainstalowany na lodówce, do użycia podczas zmiany kierunku drzwi
6	Osłona ozdobna	1	Zainstalowany na lodówce, do użycia podczas zmiany kierunku drzwi

7	Zawias dolny	1	Zainstalowany na lodówce, do użycia podczas zmiany kierunku drzwi
8	Nóżki poziomujące	1	Zainstalowany na lodówce, do użycia podczas zmiany kierunku drzwi
9	Lewy górny zawias	1	W dołączonej plastikowej torbie, do wyjęcia i użycia podczas zmiany kierunku drzwi
10	Ośłona lewego zawiasu górnego	1	W dołączonej plastikowej torbie, do wyjęcia i użycia podczas zmiany kierunku drzwi
11	Lewy samozamykacz drzwi	2	W dołączonej plastikowej torbie, do wyjęcia i użycia podczas zmiany kierunku drzwi
12	Prawa plastikowa osłona	1	W dołączonej plastikowej torbie, do wyjęcia i użycia podczas zmiany kierunku drzwi

1. Przed przystąpieniem do wykonywania tych czynności wyłączyć urządzenie. Wyjąć całą żywność z półek na drzwiach.
2. Usunąć osłonę górnego lewego zawiasu, osłonę dekoracyjną, osłonę górnego prawego zawiasu i górny prawy zawias oraz odłączyć prawy przewód sygnałowy (terminal 1, 2 przewodu sygnałowego) w górnej części lodówki.

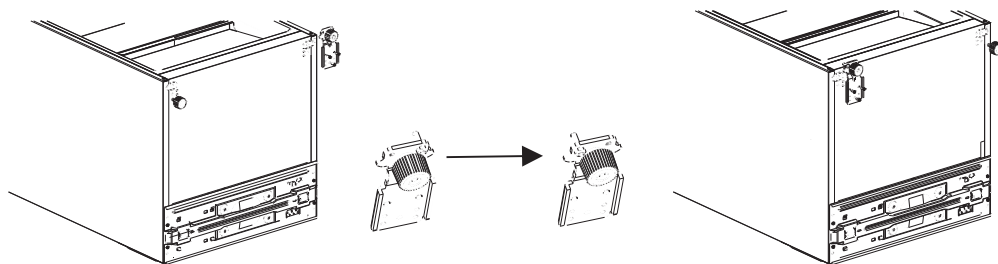


3. Usunąć drzwi lodówki (uważać, aby nie zgubić małych części, takich jak tuleja trzonka i ogranicznik drzwi); Usunąć środkowy zawias i usunąć osłonę dekoracyjną otworu zawiasu po drugiej stronie.



4. Usunąć drzwi zamrażarki (uważać, aby nie zgubić małych części, takich jak tuleja trzonka i ogranicznik drzwi); Usunąć zawias i wyregulować kąt. Usunąć i zainstalować trzonek dolnego zawiasu po drugiej stronie oraz zainstalować zmodyfikowany dolny zawias po drugiej stronie urządzenia.



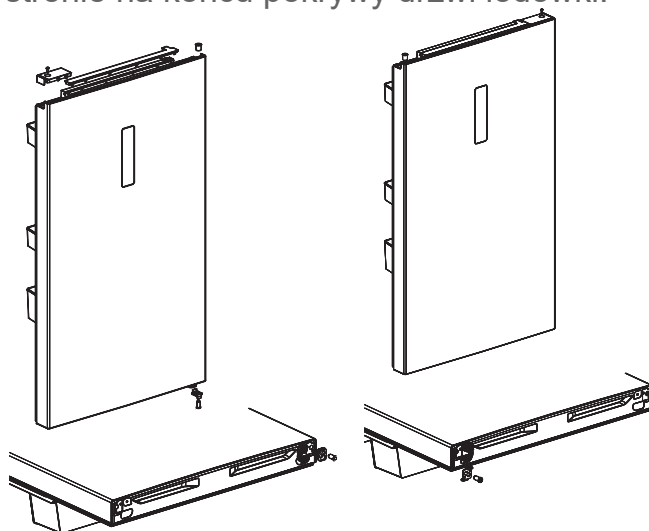


5. Zmiana drzwi lodówki:

1) Usunąć nakładkę górnej pokrywy na końcu drzwi lodówki i lewą pokrywę dekoracyjną.

Zainstalować górną tuleję trzonka i przewód sygnałowy drzwi na drugiej stronie i osłonę górnej nakładki. Wyjąć prawą osłonę dekoracyjną z torby z akcesoriami i zainstalować ją na drugiej stronie górnej osłony.

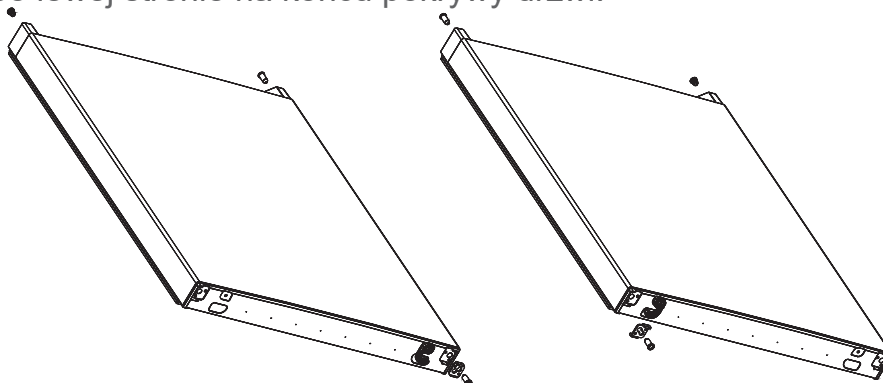
2) Usunąć samozamykacz drzwi, ogranicznik drzwi i tuleję trzonka drzwi lodówki. Wyjąć samozamykacz lewych drzwi z torby z akcesoriami, zainstalować go z lewej strony dolnej pokrywy na końcu drzwi lodówki, wymienić ogranicznik i tuleję trzonka po lewej stronie na końcu pokrywy drzwi lodówki.



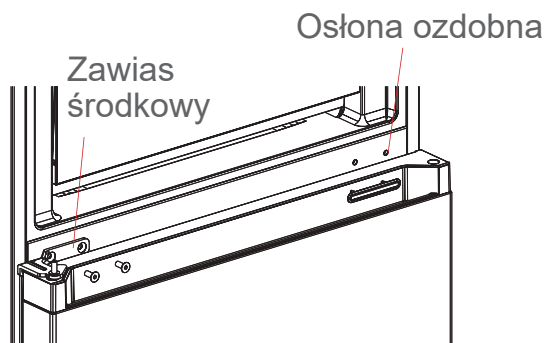
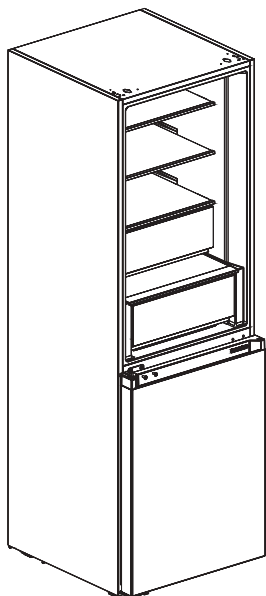
6. Zmiana drzwi zamrażalnika:

1) Usunąć tuleję trzonka i zatyczkę górnej pokrywy drzwi zamrażalnika i zainstalować je w odwróconych pozycjach prawej i lewej.

2) Usunąć samozamykacz, ogranicznik i tuleję trzonka drzwi zamrażarki, wyjąć samozamykacz lewych drzwi z torby z akcesoriami, zainstalować go po lewej stronie na końcu pokrywy drzwi zamrażalnika, wymienić ogranicznik drzwi i tuleję trzonka po lewej stronie na końcu pokrywy drzwi.

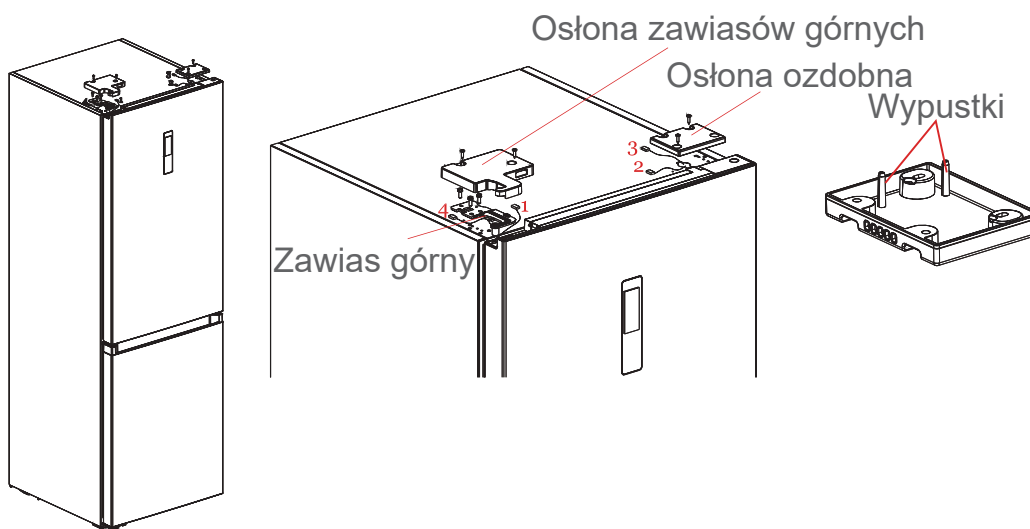


7. Zamocować zdjęte drzwi zamrażalnika na dolnym zawiasie, następnie na zawiasie środkowym i zakryć otwór zawiasu pokrywą dekoracyjną.

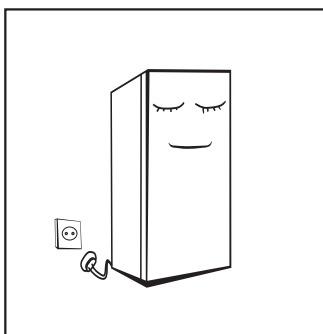


PL

8. Wyjąć osłonę górnego lewego zawiasu z torby na akcesoria. Zamocować drzwi na środkowym zawiasie i zamocować górny lewy zawias. Podłączyć górny przewód sygnałowy lodówki 4 do przewodu 1 i podłączyć przewód sygnałowy 2 do 3. Na koniec zamienić osłonę dekoracyjną zawiasu po prawej stronie. Podczas zamiany osłony dekoracyjnej zawiasu na prawą dwie wkładki osłony zawiasu (jak pokazano na ilustracji) powinny zostać odcięte.



#### 4.4. KORZYSTANIE Z URZĄDZENIA



- Przed pierwszym użyciem zostawić lodówkę na co najmniej dwie godziny przed podłączeniem zasilania. W przeciwnym razie spowoduje to spadek wydajności chłodzenia, a nawet może prowadzić do uszkodzenia urządzenia.
- Przed umieszczeniem świeżej lub mrożonej żywności chłodziarka powinna pracować przez 2-3 godziny lub przez ponad 4 godziny latem, gdy temperatura otoczenia jest wysoka.

## 5. OBSŁUGA

### 5.1. ZALECANE USTAWIENIE TEMPERATURY

Komora lodówki 4°C, komora zamrażarki -18°C.

### 5.2. KOMORA LODÓWKI

- Komora lodówki nadaje się do przechowywania owoców, warzyw, napojów i innych produktów spożywczych, które są spożywane w krótkim czasie. Zalecany czas przechowywania wynosi od 3 do 5 dni.
- Nie należy umieszczać gorących potraw w komorze chłodziarki, dopóki potrawy nie zostaną schłodzone do temperatury pokojowej.
- Zaleca się szczelne zamknięcie żywności przed umieszczeniem jej w chłodziarce.
- Szklane półki można regulować w górę lub w dół, aby uzyskać odpowiednią ilość miejsca do przechowywania i łatwą obsługę urządzenia.

**Uwaga:** Układ szuflad, pojemników na żywność, półek itd. pokazany na rysunku zapewnia najwydajniejsze wykorzystanie energii.

### 5.3. KOMORA ZAMRAŻALNIKA


- Komora zamrażarki umożliwia przechowywanie świeżej żywności przez długi okres. Jest wykorzystywana głównie do przechowywania zamrożonej żywności i wytwarzania kostek lodu.
- W komorze zamrażarki można przechowywać mięso, ryby, kule ryżowe i inną żywność, która nie będzie spożywana w krótkim czasie.
- Kawały mięsa zaleca się podzielić na małe kawałki, aby ułatwić ich wkładanie i wyjmowanie z komory. Należy pamiętać, aby spożyć żywność zgodnie z ich okresem trwałości.

#### Zalecane czasy przechowywania zamrożonej żywności w komorze zamrażarki

Czas różni się w zależności od rodzaju żywności. Zamrożona żywność może być przechowywana od 1 do 12 miesięcy (przy minimalnej temperaturze -18°C).

Żywność	Czas przechowywania
Bekon, zapiekanki, mleko	1 miesiąc
Chleb, lody, kielbaski, ciasta, obrobione małe, tłuste ryby	2 miesiące
Chude ryby, małe, pizza, drożdżówki, babeczki	3 miesiące
Szynka, ciastka, biszkopty, kotlety wołowe i jagnięce, drób	4 miesiące
Masło, warzywa (blanszowane), całe jaja i białka, gotowane raki, mięso mielone (surowe), wieprzowina (surowa)	6 miesięcy
Owoce (suche lub w syropie), białka jaj, wołowina (surowa), kurczak, jagnięcina (surowa), ciasta owocowe	12 miesięcy

### 5.4. WYŚWIETLACZ

- Podczas pierwszego włączenia lodówki panel wyświetlacza zaświeci się na 3 sekundy, następnie wejdzie w tryb normalnego wyświetlania. Podczas pierwszego użycia urządzenia domyślne temperatury komory lodówki i zamrażalnika są ustawione na 2°C i -24°C.
- W przypadku wystąpienia błędu panel wyświetlacza wskazuje kod błędu (patrz „Wskazanie błędu”); podczas normalnej pracy panel wyświetlacza wskazuje zadane temperatury komory lodówki i zamrażalnika.
- Podczas normalnej pracy, jeżeli panel nie jest używany przez 30 sekund, wyświetlacz zostanie zablokowany. Wyświetlacz zgaśnie, jeśli pozostanie zablokowany przez  kolejne 30 sekund.

## 5.5. BLOKOWANIE/ODBLOKOWANIE

- Gdy wyświetlacz jest odblokowany, nacisnąć i przytrzymać przez 3 sekundy **przycisk super-cool/super-freezer (C)**, aby zablokować panel, co jest sygnalizowane dźwiękiem.
- Gdy wyświetlacz jest odblokowany, nacisnąć i przytrzymać przez 3 sekundy **przycisk super-cool/super-freezer (C)**, aby odblokować panel, co jest sygnalizowane dźwiękiem.

Po 30 sekundach bezczynności urządzenie zostanie zablokowane, co jest sygnalizowane dźwiękiem.

Przy zablokowanym panelu nie działają przyciski, słychać jedynie dźwięk alarmu. Każde naciśnięcie przycisku jest sygnalizowane dźwiękiem błędu.

## 5.6. USTAWIANIE TEMPERATURY KOMORY LODÓWKI

Nacisnąć przycisk ustawienia temperatury **(A)** w celu zmiany temperatury komory lodówki; każde naciśnięcie przycisku powoduje zmniejszenie ustawienia temperatury o 1°C. Zakres ustawień temperatury komory lodówki wynosi od 2 do 8°C. Gdy ustawienie wynosi 2°C, kolejne naciśnięcie przycisku **(A)** spowoduje przejście ustawienia na 8°C.

## 5.7. USTAWIENIE TEMPERATURY W KOMORZE ZAMRAŻARKI

Nacisnąć przycisk ustawienia temperatury **(B)** w celu zmiany temperatury komory lodówki; każde naciśnięcie przycisku powoduje zmniejszenie ustawienia temperatury o 1°C. Zakres ustawień temperatury komory lodówki wynosi od -24°C do -16°C. Gdy ustawienie wynosi -24°C, kolejne naciśnięcie przycisku **(B)** spowoduje przejście ustawienia na -16°C.

## 5.8. USTAWIENIE TRYBU

Naciśnij i przytrzymaj przycisk ustawienia temperatury **(A)** przez 3 sekundy, aby ustawić/anulować tryb wakacji.

W trybie wakacji komora lodówki jest wyłączona, wyświetlacz temperatury lodówki jest wygaszony, a temperatura w zamrażarce jest automatycznie ustawiona na -18°C.

Użycie przycisku zamrażarki lub intensywnego chłodzenia/ intensywnego zamrażania spowoduje wyłączenie trybu wakacji. Ustawienia komory lodówki i zamrażarki automatycznie wracają do ustawień sprzed uruchomienia trybu wakacji.

Teraz urządzenie wchodzi w tryb normalnej pracy.

Temperatura zostaje pomyślnie nastawiona tylko przy wchodzeniu w tryb blokady.

## 5.9. TRYB INTENSYWNEGO ZAMRAŻANIA

Naciskać przycisk intensywnego chłodzenia/ intensywnego zamrażania **(C)**, aby przełączać tryby w następującej kolejności: intensywne chłodzenie -> intensywne zamrażanie -> anulowanie. Gdy tryb jest włączony lub anulowany, odpowiednia ikona intensywnego chłodzenia/ intensywnego zamrażania będzie świecić.

- W trybie intensywnego chłodzenia temperatura w komorze lodówki jest automatycznie ustawiana na wartość 2°C;
- W trybie intensywnego zamrażania temperatura w komorze zamrażarki jest automatycznie ustawiana na wartość -24°C;
- Po wyjściu z trybu intensywnego chłodzenia/ intensywnego zamrażania komora lodówki/zamrażarki automatycznie powróci do uprzednio zadanej temperatury.
- Tryb intensywnego chłodzenia zostanie automatycznie wyłączony po około 4,5 godziny, natomiast tryb intensywnego zamrażania zostanie automatycznie wyłączony po około 25 godzinach.

**Uwaga:** Funkcja intensywnego zamrażania jest przeznaczona do zachowania wartości odżywczych żywności przechowywanej w zamrażarce. Żywność jest zamrażana w najkrótszym czasie. Jeżeli duża ilość żywności jest zamrażana w jednej chwili, zaleca się włączenie funkcji intensywnego zamrażania. W tym momencie szybkość zamrażania w komorze jest zwiększona i szybko zamrażająca żywność lepiej

zachowuje składniki odżywcze.

## 5.10. ALARM OTWARCIA DRZWI

Jeśli drzwi lodówki zostaną otwarte na ponad 120 sekund, do momentu ich zamknięcia słychać będzie alarm w postaci brzęczyka; aby anulować alarm brzęczyka, wystarczy nacisnąć dowolny przycisk.

## 5.11. WSKAZANIE USTERKI

Na wyświetlaczu wyświetlane są następujące kody błędów, wskazujące różne usterki lodówki.

Lodówka może nadal utrzymywać temperaturę żywności po wystąpieniu usterki, jednak użytkownik powinien skontaktować się z serwisem w celu zapewnienia optymalnego działania urządzenia.

Kod błędu	Opis usterki
E1	Awaria czujnika temperatury komory chłodzącej
E2	Awaria czujnika temperatury zamrażalnika
E3	Awaria czujnika temperatury komory na mięso i ryby
E5	Błąd obwodu wykrywania czujnika zamrażania rozmrażania
E6	Błąd komunikacyjny
E7	Błąd czujnika temperatury otoczenia

PL

## 5.12. PORADY DOTYCZĄCE PRZECHOWYWANIA ŻYWNOSCI

- Ugotowane mięso/ryby należy przechowywać na półce ponad surowym mięsem/rybami, aby uniknąć transferu bakterii. Surowe mięso/ryby należy przechowywać z pojemniku, który jest wystarczająco duży do zbierających się soków oraz prawidłowego zamknięcia. Umieść pojemnik na najniższej półce.
- Pozostaw między żywnością wolne miejsce, by powietrze mogło swobodnie przepływać wewnątrz urządzenia. Upewnij się, że wszystkie elementy chłodziarki pozostają chłodne.
- Aby uniknąć przenikania smaków oraz wyschnięcia, oddzielnie pakuj lub przykrywaj żywność. Warzywa i owoce nie wymagają pakowania.
- Upewnij się, że wstępnie ugotowana żywność ostygnie przed umieszczeniem jej w chłodziarce. Pomoże to utrzymać wewnętrzną temperaturę urządzenia.
- Aby zapobiec ucieczce zimnego powietrza z urządzenia, spróbuj ograniczyć otwieranie drzwi. Zalecamy, aby drzwi były otwierane wyłącznie wtedy, gdy do chłodziarki trzeba umieścić lub wyjąć z niej żywność.

## 5.13. WSKAZÓWKI DOTYCZĄCE OSZCZĘDZANIA ENERGII

- Urządzenie powinno być umieszczone w najchłodniejszym punkcie pomieszczenia z dala od urządzeń wytwarzających gorąco lub przewodów grzewczych oraz gdzie nie dochodzi bezpośrednio światło słoneczne.
- Gorąca żywność musi ostygnąć do temperatury pokojowej przed umieszczeniem jej w chłodziarce. Przeładowanie urządzenia zmusza sprężarkę do dłuższej pracy. Żywność, która chłodzi się zbyt wolno, może stracić na jakości lub się zepsuć.
- Prawidłowo pakuj żywność oraz wycieraj pojemniki do sucha przed włożeniem jej do urządzenia. Obniża to gromadzenie się szronu wewnątrz urządzenia.
- Kosz do przechowywania żywności nie powinien być wyłożony folią aluminiową, papierem woskowanym ani ręcznikiem papierowym. Wyściółka zakłóca przepływ chłodnego powietrza, obniżając wydajność urządzenia.
- Grupuj i etykietuj żywność, by zmniejszyć czas otwarcia drzwi podczas długiego

szukania. Wyjmij tyle produktów, ile jest to potrzebne za jednym razem i zamknij drzwi tak szybko, jak to możliwe.

- Układ szuflad, koszy i półek pokazany na rysunku zapewnia najwydajniejsze wykorzystanie energii. Zmiana wyposażenia może wpłynąć na wydajność.
- Staraj się nie otwierać drzwi zbyt często, szczególnie jeśli jest gorąco i wilgotność powietrza jest wysoka. Po otwarciu drzwi zamknij je jak najszybciej.
- Od czasu do czasu należy sprawdzić, czy urządzenie jest odpowiednio wentylowane (odpowiedni przepływ powietrza za urządzeniem).
- W normalnych warunkach klimatycznych należy ustawić termostat na ustawienie średnie.
- Przed włożeniem do urządzenia opakowań ze świeżą żywnością należy upewnić się, że jest schłodzone do temperatury otoczenia.
- Warstwa lodu i szronu zwiększa zużycie energii, więc należy oczyścić urządzenie, gdy warstwa ma grubość od 3 mm do 5 mm.

## 6. KONSERWACJA I CZYSZCZENIE

### 6.1. CZYSZCZENIE OGÓLNE

**!** Odłącz lodówkę w celu przeprowadzenia rozmrażania i czyszczenia.

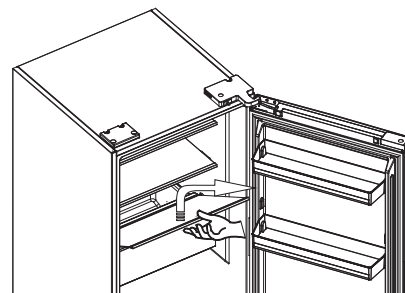
- Kurz znajdujący się za lodówką i na podłożu należy regularnie oczyścić w celu poprawy efektu chłodzenia i oszczędności energii.
- Regularnie sprawdzaj uszczelkę drzwi, aby upewnić się, że nie ma na niej żadnych zanieczyszczeń. Wyczyść uszczelkę drzwi miękką szmatką zwilżoną wodą z mydłem lub rozcieńczonym detergentem.
- Wnętrze chłodziarki powinno być regularnie czyszczone, aby uniknąć powstawania nieprzyjemnego zapachu.
- Wyłącz zasilanie przed przeprowadzeniem czyszczenia wnętrza chłodziarki i usuń wszystkie produkty spożywcze, napoje, półki, szuflady itp.
- Użyj miękkiej szmatki lub gąbki do czyszczenia wnętrza chłodziarki z dodatkiem dwóch łyżek sody oczyszczonej i ćwierci litra ciepłej wody. Następnie spłucz wodą i wytrzyj do sucha. Po oczyszczeniu otwórz drzwi i pozostaw je do wyschnięcia przed włączeniem zasilania.
- W przypadku obszarów trudnych do czyszczenia w chłodziarce (takich jak wąskie przegrody, szczeliny lub narożniki), zaleca się regularne wycieranie ich miękką szmatką, miękką szczotką itp., a w razie potrzeby w połączeniu z niektórymi narzędziami pomocniczymi (takimi jak cienkie patyczki), aby zapobiec zanieczyszczeniom lub gromadzeniu się bakterii.
- Nie używaj mydła, detergentu, środków do szorowania, środków czyszczących w sprayu itp., ponieważ mogą powodować nieprzyjemne zapachy we wnętrzu lodówki lub zanieczyścić żywność.
- Wyczyść ramę komory na butelki, półki i szuflady miękką szmatką zwilżoną wodą z mydłem lub rozcieńczonym detergentem. Wysusz miękką szmatką lub pozostaw do wyschnięcia.
- Wytrzyj zewnętrzną powierzchnię chłodziarki miękką szmatką zwilżoną wodą z mydłem, rozcieńczonym detergentem itp., a następnie wytrzyj do sucha.
- Nie używaj twardych szczotek, druciaków, szczotek drucianych, środków ściernych (takich jak pasty do zębów), rozpuszczalników organicznych (takich jak alkohol, aceton, olej bananowy itp.), wrzącej wody, środków kwasowych lub alkalicznych, które mogą uszkodzić powierzchnię chłodziarki i jej wnętrze. Wrząca woda i rozpuszczalniki organiczne, takie jak benzen, mogą odkształcać lub uszkodzić części wykonane z tworzyw sztucznych.



- Podczas czyszczenia nie splukiwać bezpośrednio wodą lub innymi płynami, aby uniknąć powstania zwarcia i kontaktu wody z izolacją elektryczną.

## 6.2. CZYSZCZENIE SZKLANEJ PÓŁKI

- Usuń szufladę nad półką szklaną;
- Unieś przednią część półki szklanej (o około 60°), następnie ją wysuń;
- Wyjmij szklaną półkę i wymyj ją w miarę potrzeby;
- Aby ponownie zamontować szklaną półkę, po prostu wsuń ją w odwrotnym kierunku, jak przy wyjmowaniu.



## 6.3. ROZMRAŻANIE

- Działanie lodówki jest oparte na zasadzie chłodzenia powietrzem, więc posiada ona automatyczną funkcję rozmrażania. Szron, który tworzy się z powodu zmiany pory roku lub temperatury, może być także usunięty ręcznie przez odłączenie urządzenia od źródła zasilania lub przez wytarcie suchym ręcznikiem.

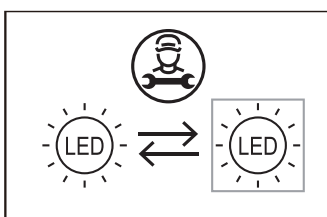
PL

## 6.4. AWARIE

- Awaria zasilania: W przypadku awarii zasilania, nawet jeśli wystąpi to latem, żywność wewnątrz urządzenia może być przechowywana przez kilka godzin. Podczas awarii zasilania należy skrócić czas otwarcia drzwi i nie należy wkładać do urządzenia żadnej świeżej żywności.
- Długotrwały brak użytkowania: Odłącz urządzenie, a następnie wyczyść. Pozostaw drzwi otwarte, aby zapobiec powstawaniu nieprzyjemnego zapachu.
- Przenoszenie: Przed przeniesieniem chłodziarki wyjmij wszystkie produkty, które się w niej znajdują. Przymocuj szklane ścianki działowe, uchwyt na warzywa, szuflady komory zamrażania itp. za pomocą taśmy i dokręć nóżki poziomujące. Zamknij drzwi i zabezpiecz je taśmą. Podczas przemieszczania urządzenia nie należy odwracać do góry nogami, przekręcać w poziomie ani narażać na wibracje. Odchylenie podczas ruchu nie może być większe niż 45°. Nie trzymaj urządzenia za drzwi ani za zawias podczas przenoszenia.

**!** Urządzenie pracuje w sposób ciągły po uruchomieniu. Zasadniczo działanie urządzenia nie powinno być przerywane, w przeciwnym razie jego żywotność może ulec skróceniu.

## 6.5. WYMIANA OŚWIETLENIA



- Każda wymiana lub konserwacja lampek LED powinna być przeprowadzana przez producenta, jego serwisanta lub osobę o podobnych kwalifikacjach.

Źródło światła tego produktu powinno być wymieniane wyłącznie przez wykwalifikowanych techników.

	<p>1. Odłącz wtyczkę przed demontażem.</p>		<p>2. Usuń osłonę za pomocą wkrętaka.</p>
	<p>3. Zdejmij panel lampy.</p>		<p>4. Wyjmij terminal połączeniowy.</p>

## 7. ROZWIĄZYWANIE PROBLEMÓW

Następujące proste problemy można spróbować rozwiązać samodzielnie. Jeśli problemów nie można rozwiązać, skontaktuj się z działem obsługi posprzedażnej.

Problem	Zalecane rozwiązanie
Nieudane działanie	Sprawdź, czy urządzenie jest podłączone do zasilania lub czy wtyczka jest dobrze umieszczona w gnieździe. Sprawdź, czy napięcie nie jest zbyt niskie. Sprawdź, czy nie wystąpiła awaria zasilania lub zwarcie obwodów.
Brzydki zapach.	Żywność o intensywnym zapachu powinna być opakowana. Sprawdź, czy w chłodziarce nie ma zepsutego jedzenia. Wnętrze chłodziarki powinno być wyczyszczone.
Długotrwała praca sprężarki.	Naturalne jest, że chłodziarka pracuje dłużej latem, gdy temperatura otoczenia jest wyższa. Nie wkładaj do lodówki zbyt dużej ilości żywności w tym samym czasie. Nie wkładaj żywności, dopóki nie ostygnie. Drzwi są otwierane zbyt często.
Światło nie zapala się.	Sprawdź, czy lodówka jest podłączona do zasilania i czy światło nie jest uszkodzone. Skontaktuj się z technikiem, aby wymienić światło, jeśli jest uszkodzone.
Nie można prawidłowo zamknąć drzwi.	Drzwi chłodziarki są blokowane przez zapakowaną żywność. Umieszczono zbyt dużą ilość żywności. Lodówka jest przechylona.
Głośny hałas.	Sprawdź, czy podłoże jest równe oraz czy lodówka została stabilnie ustawiona. Sprawdź, czy akcesoria są umieszczone we właściwych miejscach.
Uszczelka drzwi nie jest szczelna.	Usunąć ciała obce, znajdujące się na uszczelce. Podgrzej uszczelkę drzwi, a następnie schłodzić ją, aby przywrócić jej pierwotne właściwości (ewentualnie przedmuchać suszarką elektryczną lub użyj gorącego ręcznika do ogrzania uszczelki).
Przepełnienie pojemnika na wodę.	W komorze znajduje się zbyt dużo żywności lub przechowywana żywność zawiera zbyt dużo wody, co powoduje rozmrażanie. Drzwi nie zostały prawidłowo zamknięte, co powoduje napływ powietrza i jego zamrażanie i zwiększoną ilość wody, która powstaje w wyniku rozmrażania.
Gorąca obudowa	Dochodzi do rozpraszania ciepła z wbudowanego skraplacza przez obudowę, co jest zjawiskiem normalnym. Zapewnić wystarczający przepływ powietrza, aby ułatwić rozpraszanie ciepła, gdy obudowa staje się gorąca z powodu wysokiej temperatury otoczenia, przechowywania zbyt dużej ilości żywności lub awarii sprężarki.
Skraplanie na powierzchni	Skraplanie pary wodnej na zewnętrznej powierzchni i uszczelkach drzwi lodówki jest zjawiskiem normalnym, gdy wilgotność otoczenia jest zbyt wysoka. Wystarczy wytrzeć skroploną wodę czystym ręcznikiem
Urządzenie wydaje niestandardowe odgłosy.	Odgłosy: Sprężarka może wytwarzać odgłosy podczas pracy, a ich natężenie jest wysoki, szczególnie podczas uruchamiania lub zatrzymywania. Jest to zjawisko normalne. Skrzypienie: Czynnik chłodniczy przepływający wewnątrz urządzenia może powodować skrzypienie, co jest zjawiskiem normalnym.



**Tabela 1. Klasy klimatu**

Klasa	Symbol	Zakres temperatury otoczenia (°C)
rozszerzona umiarkowana	SN	Od +10 do +32
umiarkowana	N	Od +16 do +32
subtropikalna	ST	Od +16 do +38
tropikalna	T	Od +16 do +43

Rozszerzona umiarkowana: to urządzenie chłodnicze jest przeznaczone do stosowania w temperaturach otoczenia w zakresie od 10°C do 32°C;

Umiarkowana: to urządzenie chłodnicze jest przeznaczone do stosowania w temperaturach otoczenia w zakresie od 16°C do 32°C;

Subtropikalna: to urządzenie chłodnicze jest przeznaczone do stosowania w temperaturach otoczenia w zakresie od 16°C do 38°C;

Tropikalna: to urządzenie chłodnicze jest przeznaczone do stosowania w temperaturach otoczenia w zakresie od 16°C do 43°C;

PL

Zamówione części w poniższej tabeli można nabyć poprzez kanał \_\_\_\_\_:

Zamówiona część	Dostarczone przez	Minimalny czas wymagany do realizacji zamówienia
termostaty	Profesjonalny personel serwisowy	Co najmniej 7 lat po wprowadzeniu ostatniego modelu na rynek
czujniki temperatury	Profesjonalny personel serwisowy	Co najmniej 7 lat po wprowadzeniu ostatniego modelu na rynek
płytki obwodów drukowanych	Profesjonalny personel serwisowy	Co najmniej 7 lat po wprowadzeniu ostatniego modelu na rynek
źródła światła	Profesjonalny personel serwisowy	Co najmniej 7 lat po wprowadzeniu ostatniego modelu na rynek
uchwyty drzwiczek	Profesjonalni technicy i użytkownicy końcowi	Co najmniej 7 lat po wprowadzeniu ostatniego modelu na rynek
zawiasy drzwi	Profesjonalni technicy i użytkownicy końcowi	Co najmniej 7 lat po wprowadzeniu ostatniego modelu na rynek
tacki	Profesjonalni technicy i użytkownicy końcowi	Co najmniej 7 lat po wprowadzeniu ostatniego modelu na rynek
kosze	Profesjonalni technicy i użytkownicy końcowi	Co najmniej 7 lat po wprowadzeniu ostatniego modelu na rynek
uszczelki drzwi	Profesjonalni technicy i użytkownicy końcowi	Co najmniej 10 lat po wprowadzeniu ostatniego modelu na rynek

Najkrótszy okres dostarczenia części zamiennych wynosi 15 dni roboczych. Informacje dotyczące modelu w bazie danych produktów, a także identyfikator modelu, można uzyskać za pomocą łącza internetowego zeskanowanego za pomocą kodu QR, znajdującego się na etykiecie klasy efektywności energetycznej produktu.

Szanowny Kliencie.

1. Jeśli chcesz zwrócić lub wymienić produkt, skontaktuj się ze sklepem, w którym produkt został zakupiony.  
(Pamiętaj, aby wziąć ze sobą fakturę zakupu)
2. Jeśli produkt działa nieprawidłowo i wymaga naprawy, skontaktuj się z dostawcą usług posprzedażnych.

### Arkusz danych produktu dotyczący (UE) 2019/2019

Arkusz danych produktu dotyczący tego urządzenia jest dostępny na stronie internetowej i oferuje możliwość pobrania.

Przejsz do strony <https://eprel.ec.europa.eu/> i wpisać numer modelu urządzenia, aby pobrać arkusz danych.

PL

Identyfikator modelu urządzenia znajduje się na tabliczce znamionowej z tyłu / na wewnętrznej części urządzenia.

### Pakowanie mrożonek

Aby zapobiec utracie smaku lub wysuszeniu produktów spożywczych, produkty te należy wkładać do opakowań hermetycznych.

1. Włożyć produkty spożywcze do opakowania.
2. Odpompować powietrze.
3. Zamknąć opakowanie.
4. Na opakowaniu umieścić etykietę z informacją o zawartości opakowania i datą zamrożenia.

Odpowiednie opakowanie:

folia plastikowa, rękaw foliowy z polietylenu, folia aluminiowa.

Produkty te dostępne są w specjalistycznych punktach sprzedaży

### Zalecane czasy przechowywania mrożonek w zamrażarce

Czasy te różnią się w zależności od rodzaju żywności. Zamrożoną produkty spożywcze można przechowywać od 1 do 12 miesięcy (w temperaturze co najmniej -18°C)

Produkty	Czas przechowywania
Boczek, zapiekanki, mleko	1 miesiąc
Chleb, lody, parówki, pasztety, przygotowane skorupiaki, tłuste ryby	2 miesiące
Nietłuste ryby, skorupiaki, pizza, bułeczki i babeczki	3 miesiące
Szynka, ciasta, herbatniki, kotlety wołowe i jagnięce, kawałki drobiu	4 miesiące
Masło, warzywa (blanszowane), jajka całe i żółtka, gotowane raki, mięso mielone (surowe), wieprzowina (surowa)	6 miesięcy
Owoce (suszone lub w syropie), białka jaj, wołowina (surowa), kurczak w całości, jagnięcina (surowa), ciasta owocowe	12 miesięcy
Fruit (dry or in syrup), egg whites, beef (raw), whole chicken, lamb (raw), fruit cakes	1 month

### Nigdy nie zapomnij:

- Jeśli zamrażane są świeże produkty spożywcze z datą przydatności do spożycia, należy je zamrozić przed upływem tej daty.
- Należy upewnić się, że produkty nie były już wcześniej zamrożone. Raz zamrożonych i całkowicie rozmrożonych produktów spożywczych nie wolno już

- ponownie zamrażać.
- Po rozmrożeniu produkty spożywcze powinny zostać szybko zjedzone.

### Robienie kostek lodu

Napełnij tackę na kostki lodu w 3/4 wodą pitną i włóż tackę do szuflady zamrażarki. Jeśli tacka na kostki lodu przymarznie do szuflady zamrażarki, należy ją tylko poluzować tępym narzędziem.

Aby poluzować kostki lodu, należy lekko przekręcić tackę na kostki lodu lub przytrzymać ją przez chwilę pod strumieniem wody.

### Alarm otwarcia drzwi

Jeśli drzwi lodówki pozostaną otwarte przez około 120 sekund, włącza się alarm.

Aby wyłączyć alarm, wystarczy zamknąć drzwi lub nacisnąć dowolny przycisk.

### Odgłosy pracy

Normalne odgłosy

Praca silników.

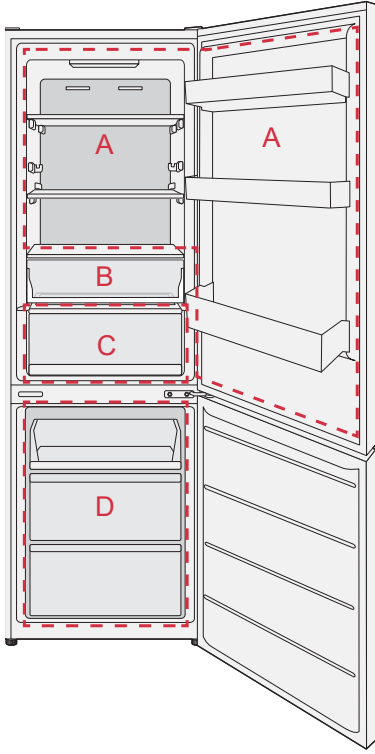
Przepływ czynnika chłodniczego przez przewody rurowe.

PL

### Przestawianie lodówki z zamrażarką

- Wyjąć z kontaktu wtyczkę przewodu zasilającego lodówkę z zamrażarką

### Przechowywanie produktów spożywczych i napojów

	Obszar	Obszar Zalecane ustawienia produktów spożywczych i temperatury
	A	<b>Komora lodówki (4°C)</b> - Przechowywanie produktów spożywczych do codziennego spożycia, przysmaków, jogurtów, sosów, marynowanych warzyw, deserów - Przechowywanie mięsa, ryb, kielbas, świeżego nadziewanego makaronu, gotowanych produktów spożywczych, resztek jedzenia
	B	<b>Półka na drzwiach (4°C)</b> Przechowywanie napojów, mleka, jogurtów, jajek i masła.
	C	<b>Przegródka na owoce i warzywa (4°C)</b>
	D	<b>Dodatkowa lodówka (0°C - 6°C)</b> Przechowywanie ryb, surowego mięsa, które będzie niedługo gotowane.
		<b>Zamrażarka (-18°C)</b> Artykuły spożywcze przeznaczone do przechowywania długoterminowego - Szuflada górna: Przechowywanie mrożonej żywności i lodów. - Środkowa szuflada: przechowywanie surowego mięsa, drobiu, ryb. - Dolna szuflada: przechowywanie mrożonych warzyw, frytek.

## 8. GWARANCJE

### Gwarancje i ograniczenia odpowiedzialności

Produkty są objęte gwarancją przez okres 36 miesięcy od daty zakupu lub daty dostawy do domu klienta. W zależności od kraju gwarancja ta obejmuje od 24 do 36 miesięcy prawnej gwarancji zgodności. W krajach, w których obowiązuje 24-miesięczna prawna gwarancja zgodności, po wygaśnięciu pierwszej gwarancji wchodzi w życie 12-miesięczna gwarancja handlowa, stanowiąca uzupełnienie tej ostatniej.

### Warunki obowiązywania gwarancji

#### W przypadku prawnej gwarancji zgodności

Zachęcamy do zasięgnięcia informacji u dystrybutora i/lub zapoznania się z jego OWS (Ogólnymi Warunkami Sprzedaży).

#### W przypadku gwarancji handlowej

Zachęcamy do zwrotu produktu do recepcji sklepu, w którym został kupiony wraz z dowodem zakupu (np. paragonem) produktu i jego akcesoriów w oryginalnym opakowaniu dla wszystkich krajów poza Francją. Należy również podać takie informacje, jak data zakupu, model i numer seryjny lub IMEI (informacje te zwykle znajdują się na produkcie, opakowaniu lub dokumencie stanowiącym dowód zakupu). Należy dostarczyć produkt ze wszystkimi akcesoriami niezbędnymi do jego prawidłowego funkcjonowania (zasilacz, adapter itd.). Jeśli reklamacja jest objęta gwarancją, w zależności od obowiązujących przepisów miejscowych serwis naprawczy może:

- przeprowadzić naprawę lub wymienić uszkodzone części;
- wymienić zwracany produkt na inny o co najmniej takiej samej funkcjonalności i równoważnych parametrach wydajnościowych;
- zwrócić cenę zakupu produktu, określoną w dokumencie stanowiącym dowód zakupu.

W produktach naprawionych lub wymienionych mogą znajdować się komponenty i wyposażenie nowe i/lub regenerowane.

### Gwarancja handlowa nie obowiązuje w następujących przypadkach:

- Uszkodzenia lub problemy spowodowane niewłaściwym użytkowaniem, wypadkiem, przeprowadzeniem jakichkolwiek przeróbek urządzenia lub podłączeniem go do zasilania elektrycznego o nieprawidłowych parametrach natężenia lub napięcia.
- Użytkowanie lub przechowywanie szkodliwe dla dobrej konserwacji urządzenia (utlenianie, korozja), wykorzystywanie energii, użytkowanie lub instalacja niezgodne z instrukcjami producenta, zaniedbanie lub stosowanie nieodpowiednich urządzeń peryferyjnych, oprogramowania lub materiałów eksploatacyjnych.
- Profesjonalne lub zbiorowe, przemysłowe lub komercyjne wykorzystanie produktu.
- Przeprowadzenie modyfikacji urządzeń, których plomba gwarancyjna lub numer seryjny zostały uszkodzone, naruszone, usunięte lub uległy oksydacji.
- W przypadku baterii przeznaczonych do wymiany i akcesoriów okres gwarancji wynosi 6 miesięcy.
- Uszkodzenie baterii spowodowane przeładowaniem lub nieprzestrzeganiem wskazówek bezpieczeństwa zawartych w instrukcji obsługi.
- Uszkodzenia o charakterze estetycznym, takie jak zarysowania, wybrzuszenia lub akty wandalizmu.
- Uszkodzenia spowodowane przeprowadzeniem jakichkolwiek prac przez osoby nieuprawnione.
- Uszkodzenia spowodowane normalnym zużyciem lub starzeniem się produktu: uszczelki, filtry, akcesoria, szczotka i wąż do odkurzacza, lampy, lampy do rzutników, łopatkę do pralek itp.
- Aktualizacja oprogramowania związana z modyfikacją parametrów sieci.
- Uszkodzenia spowodowane przez elementy znajdujące się poza urządzeniem (ciała obce, owady itp.).
- Zawartość urządzeń – zamrażarka, pralka itd. – (żywność, odzież itd.).
- Uszkodzenia produktu spowodowane użyciem oprogramowania innych producentów w celu zmodyfikowania, zmiany, adaptacji lub modyfikacji istniejących.
- Uszkodzenia produktu spowodowane jego użyciem bez akcesoriów zatwierdzonych przez producenta.
- Normalne zużycie lub uszkodzenia części wynikające z użytkowania: opona, dętka, hamulec itp.

Klient jest odpowiedzialny za regularne tworzenie kopii zapasowych danych znajdujących się na jego dysku twardym lub w pamięci wewnętrznej urządzenia przed jego przekazaniem do naprawy. Auchan nie ponosi odpowiedzialności za utratę lub zniszczenie przechowywanych danych ani za uszkodzenia oprogramowania, w szczególności wynikające z przywrócenia parametrów fabrycznych lub awarii. Analogicznie Auchan nie ponosi żadnej odpowiedzialności za sprawdzenie, czy ze zwracanych produktów zostały wyjęte karty SIM/SD.

Powyższe postanowienia w żaden sposób nie ograniczają ani nie eliminują: gwarancji prawnej, o której mowa powyżej oraz gwarancji handlowej producenta, jeśli jest udzielana (patrz karta gwarancyjna).

# A TARTALOM ÁTTEKINTÉSE:

1. BIZTONSÁGI UTASÍTÁSOK	117. o.
2. MŰSZAKI ADATOK	122. o.
3. TERMÉKLEÍRÁS	122. o.
4. ÜZEMBE HELYEZÉS	123. o.
5. HASZNÁLAT	128. o.
6. KARBANTARTÁS ÉS TISZTÍTÁS	131. o.
7. HIBAELHÁRÍTÁS	133. o.

## 1. BIZTONSÁGI UTASÍTÁSOK

HU

A termék használata előtt olvassa el figyelmesen az alábbi utasításokat, és őrizze meg a használati útmutatót, mert később is szüksége lehet rá.

### 1.1. FIGYELMEZTETÉS



Figyelmeztetés: Tűzveszély/gyúlékony anyagok veszélye!

1. Ez a készülék arra szolgál, hogy háztartási és ahhoz hasonló alkalmazásokban használják, amik például a boltok, irodák és más munkakörnyezetek dolgozói konyhái; parasztházak, valamint szállodák, motelek és más lakóhelyjellegű környezetek vendégeit kiszolgáló; szállást reggelivel kínáló környezetek, vendéglátóhelyek és ahhoz hasonló, nem kiskereskedelmi célú alkalmazások lehetnek.
2. Ha a tápkábel sérült, a balesetek elkerülése érdekében a gyártónak, az értékesítés utáni szervizszolgáltató cég képviselőjének, vagy hasonlóan képzett szakembernek kell kicserélnie.
3. Ne tároljon robbanásveszélyes anyagokat, például gyúlékony hajtóanyagokkal töltött aeroszol flakonokat a készülékben.
4. A készüléket csatlakozódugóját használat után és felhasználói karbantartás előtt ki kell húzni a hálózati hálózathoz.
5. Figyelmeztetés: A készülék burkolatán vagy a beépítési szerkezeten lévő szellőzőnyílásokat tartsa szabadon.
6. Figyelmeztetés: Ne használjon a leolvasztás gyorsítására a gyártó által ajánlottól eltérő mechanikus eszközöket vagy egyéb módszereket.
7. Figyelmeztetés: Ne sértse meg a hűtőközeg csővezetékét.
8. A hűtőszekrényben lévő hűtőközeg R600a földgáz. Nem káros a környezetre, de gyúlékony. Ezért fontos, hogy a hűtőszekrény szállítása és telepítése során körültekintően járjon el, és ne sértse meg a hűtőközeg csővét. Gázszivárgás esetén kerülje a közeli lángokkal vagy tűzzel való érintkezést, és szellőztesse a helyiséget.
9. Figyelmeztetés: Ne használjon elektromos készülékeket a berendezés élelmiszertároló rekeszeiben, kivéve, ha azok a gyártó által ajánlott típusok.
10. Figyelmeztetés: A hűtőszekrényt a helyi szabályozásnak megfelelően tegye le, mert gyúlékony fűvógáz és hűtőközeg van benne.
11. Figyelmeztetés: A készülék elhelyezésekor biztosítsa, hogy a tápkábel ne akadjon be és ne sérüljön meg.
12. Figyelmeztetés: Ne helyezzen a készülék hátsó oldala közelébe hordozható aljzatokat vagy hordozható áramforrásokat.

13. Ne használjon hosszabbítót vagy földeletlen (2 villás) adaptert.
14. Veszély: A gyermekek bent rekedésének veszélye. Mielőtt megválna régi hűtőszekrénytől vagy fagyasztójától:
  - Vegye le az ajtókat.
  - Hagyja a polcokat a helyükön, így a gyermekek nem tudnak könnyen bemászni.
15. A tartozékok beszerelése előtt a hűtőszekrényt le kell választani az áramforrásról.
16. A készülékhez használt hűtőközeg és ciklopentán habanyag tűzveszélyes. Ezért amikor a készüléket leselejtezi, távol kell azt tartani bármilyen tűzforrástól, és egy speciális feldolgozó vállalatnak kell begyűjtenie, amely megfelelő képesítéssel rendelkezik arra, hogy ne égés útján semmisítse meg, megakadályozva a környezeti károkozást vagy egyéb ártalmakat.
17. Szükséges, hogy a zárral és kulcsokkal ellátott ajtók vagy fedelek esetében a kulcsokat gyermekektől elzárva, valamint nem a hűtőkészülék közelében tartsák, annak érdekében, hogy a gyermekeket ne lehessen bezárni a készülékbe.
18. EU-szabvány esetében: A készüléket nyolc évesnél idősebb gyerekek, korlátozott fizikai, érzékszervi vagy mentális képességű személyek, valamint megfelelő tudással vagy ismeretekkel nem rendelkező személyek kizárólag felügyelet mellett, illetve abban az esetben használhatják, ha a készülék biztonságos kezeléséről tájékoztatást kaptak, és tisztában vannak az ahhoz kapcsolódó kockázatokkal. A gyermekek nem játszhatnak a készülékkel. A készülék tisztítását és felhasználói karbantartását gyerekek felügyelet nélkül nem végezhetik. A 3 és 8 év közötti gyermekek a hűtőkészülékek be- és kirakódását nem végezhetik.
19. Az élelmiszer szennyeződésének elkerülése érdekében tartsa be az alábbi utasításokat:
  - Ha a készülék ajtaját hosszú időre nyitva hagyja, az jelentősen növelheti a hűtőszekrény belső hőmérsékletét.
  - Rendszeresen tisztítsa meg az élelmiszerekkel érintkező felületeket és a hozzáférhető folyadékvezető rendszereket.
  - Tisztítsa ki a víztartályokat, ha azokat már 48 órája nem használta: öblítse át a vízhálózatra kötött vízrendszert, ha már 5 napja nem használta a vízadagolót. (1. megjegyzés)
  - A nyers húst és halat arra alkalmas tárolóban tartsa a hűtőben, hogy azok ne érintkezzenek más élelmiszerekkel, illetve a levük ne csepeghessen rájuk.
  - A kétcsillagos fagyasztottélelmiszer-tároló rekeszek alkalmasak előfagyasztott élelmiszerek tárolására, jégkrémek tárolásához vagy készítéséhez, valamint jégkockakészítéshez. (2. megjegyzés)
  - Az egy-, két- és háromcsillagos rekeszek nem alkalmasak friss élelmiszerek fagyasztására. (3. megjegyzés)
  - 4 csillagos rekesszel nem rendelkező készülékek esetében: Ez a hűtőszekrény nem alkalmas élelmiszerek fagyasztására. (4. megjegyzés)
  - Ha a hűtőkészülék hosszú időre üres marad, úgy kapcsolja ki, olvassza le, tisztítsa ki, szárítsa meg, és hagyja nyitva az ajtaját, hogy megelőzze a készülék belsejének penészesedését.
  - 1., 2., 3., 4. megjegyzés: Ellenőrizze, hogy a termékrekesze szerint vonatkozik-e rá.
20. Szabadon álló készülék esetében: Ez a hűtőberendezés nem használható beépített berendezésként.
21. A LED-lámpákat csak a gyártó, annak szerelője vagy egy hozzá hasonló képzett személy cserélheti ki vagy tarthatja karban. (Olvassa el a 6.5 lámpacseréről szóló fejezetet)
22. Ez a termék G energiahatékonysági osztályú fényforrást tartalmaz.
23. FIGYELMEZTETÉS: A berendezés instabilitása miatti veszélyek elkerülése érdekében azt az utasításoknak megfelelően kell rögzíteni.
24. FIGYELMEZTETÉS: Kizárólag ivóvízellátáshoz csatlakoztassa. (Jégkészítő géphez alkalmas)
25. A készülékbe való bezáródás elkerülése érdekében tartsa a gyermekeket a fagyasztószekrénytől (vagy a hűtőszekrénytől) távol. (Alkalmas zárral ellátott termékekhez)

## 1.2. A BIZTONSÁGI FIGYELMEZTETŐ SZIMBÓLUMOK JELENTÉSE



Tiltó szimbólum

Ez egy tiltó szimbólum.

Az ezzel a szimbólummal jelölt utasítások be nem tartása a termék károsodását eredményezheti, vagy veszélyeztetheti a felhasználó személyes biztonságát.



Figyelmeztető szimbólum

Ez egy figyelmeztető szimbólum.

Az ezzel a szimbólummal jelölt utasításokat szigorúan be kell tartani; ellenkező esetben a termék károsodhat vagy személyi sérülést okozhat.



Jegyzet szimbólum

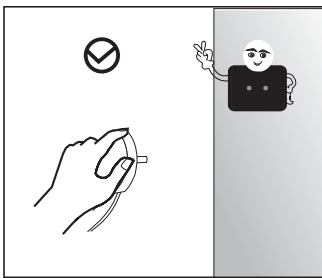
Ez egy óva intő szimbólum.

Az ezzel a szimbólummal jelölt utasítások különös óvatosságot igényelnek. A nem megfelelő szintű óvatosság enyhe vagy közepes mértékű sérülést, illetve a termék károsodását eredményezheti.

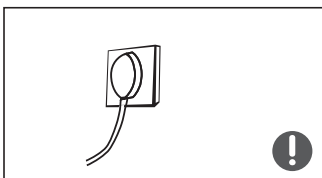
Ez a kézikönyv számos fontos biztonsági tájékoztatást tartalmaz, amelyeket a felhasználóknak be kell tartaniuk.

HU

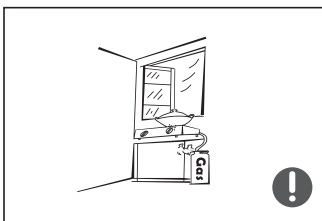
## 1.3. ELEKTROMOSSÁGGAL KAPCSOLATOS FIGYELMEZTETÉSEK



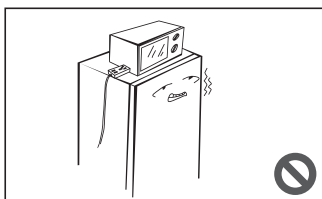
- Ne a tápkábelnél fogva húzza ki a hűtőszekrény hálózati csatlakozódugóját a fali aljzatból. Erősen fogja meg a dugót, és húzza ki közvetlenül az aljzatból.
- A biztonságos használat érdekében ne sértse meg a tápkábelt, vagy használja a tápkábelt, ha az sérült vagy kopott.



- Használjon a készülék számára fenntartott külön hálózati aljzatot, és a hálózati aljzatot ne ossza meg más elektromos készülékekkel.
- A hálózati csatlakozódugónak szilárdan kell illeszkednie az aljzatba, ellenkező esetben tüzet okozhat.
- Gondoskodjon arról, hogy a hálózati aljzat földelő elektródáját megbízható földelő vezetékkel lássák el.

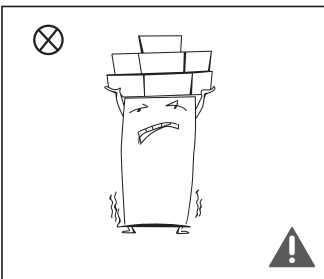
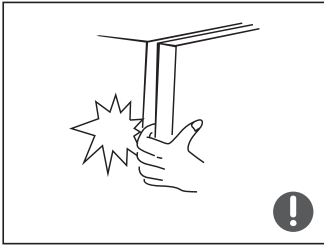
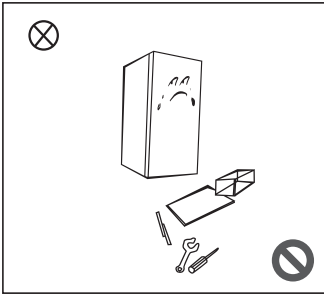


- A gáz szivárgása vagy más gyúlékony gázok szivárgása esetén zárja el a szivárgó gáz szelepét, majd nyissa ki az ajtókat és az ablakokat. Ne húzza ki a hűtőszekrény vagy más elektromos eszközök csatlakozódugóját a konnektorból, mivel az esetleges szikra tüzet okozhat.



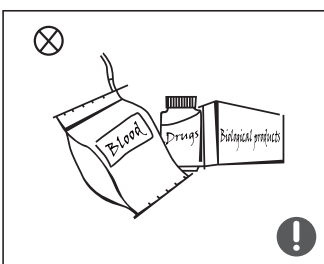
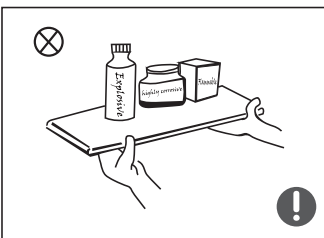
- Ne használjon elektromos eszközöket a készülék tetején, kivéve a gyártó által ajánlott típusokat.

## 1.4. HASZNÁLATI FIGYELMEZTETÉSEK



- Ne szerelje szét vagy alakítsa át önkényesen a hűtőszekrényt, és ne sértse meg a hűtőkört; a készülék karbantartását szakembernek kell elvégeznie.
- Ha a tápkábel sérült, a veszély elkerülése érdekében a gyártónak, annak karbantartó részlegének vagy hozzáértő szakembereknek kell kicserélnie azt.
- A hűtőszekrény ajtajai, valamint az ajtók és a hűtőszekrény teste közötti rések kicsik, ügyeljen arra, hogy ne tegye a kezét ezekre a területekre, nehogy becsípődjön az ujjá. Óvatosan csukja a hűtőszekrény ajtaját, nehogy kiessen a tartalma.
- Ha be van kapcsolva a hűtőszekrény, a fagyási sérülések elkerülése érdekében a fagyasztóból ne vegyen ki nedves kézzel élelmiszereket vagy tárolóedényeket, különös tekintettel a fém tárolóedényekre.
- Ne engedje, hogy gyermekek mehessen be a hűtőszekrénybe, vagy másszanak fel rá; ellenkező esetben fulladás vagy a gyermek leeséses sérülése következhet be.
- Ne helyezzen nehéz tárgyakat a hűtőszekrény tetejére, mivel ezek a tárgyak leeshetnek, amikor az ajtót becsukják vagy kinyitják, ami baleseti sérüléseket okozhat.
- Húzza ki a dugót áramkimaradás vagy tisztítás esetén. Ne dugja vissza a hűtőszekrényt öt percen belül a hálózatba, így megelőzheti az ismételt indításokból fakadó kompresszorkárosodást.

## 1.5. AZ ELHELYEZÉSRE VONATKOZÓ FIGYELMEZTETÉSEK



- Ne helyezzen tűzveszélyes, robbanásveszélyes, illékony vagy erősen maró hatású anyagokat a hűtőszekrénybe, hogy megakadályozza a termék károsodását vagy a tüzeseteket.
- A tűzveszély elkerülése érdekében ne helyezzen tűzveszélyes tárgyakat a hűtőszekrény közelébe.
- A hűtőszekrény háztartási használatra, például élelmiszerek tárolására szolgál; más célokra, például vér, gyógyszerek, biológiai termékek stb. tárolására, tilos használni.





- Ne tároljon sört, italt vagy más, palackokban vagy zárt tartályokban lévő folyadékot a hűtőszekrény fagyasztókamrájában; a palackok vagy zárt tartályok a fagyás következtében megrepedhetnek, és kárt okozhatnak.

## 1.6. ENERGIAFIGYELMEZTETÉSEK

1) Előfordulhat, hogy a hűtőberendezések nem működnek megfelelően (az élelmiszerek kiolvadhatnak, vagy a hőmérséklet túlmelegedhet a fagyasztóban), ha a környezeti hőmérséklet hosszabb ideig a hűtőkészülék tervezett használati hőmérsékleti tartományánál alacsonyabb.


2) A pezsgő/habzó italokat nem szabad fagyasztórekeszekben vagy -tárolókban, vagy alacsony hőmérsékletű rekeszekben vagy fagyasztótérben tárolni, és hogy egyes élelmiszereket – például a gyümölcsfagyaltokat – nem szabad túl hidegen fagyasztani.


3) Szükség van arra, hogy ne tároljon semmilyen élelmiszert – különös tekintettel a kereskedelmi forgalomban kapható gyorsfagyasztott ételekre – az élelmiszergyártók által ajánlott tárolási időnél tovább a fagyasztótérben vagy -rekeszekben.

4) Szükséges óvintézkedéseket tennie azért, hogy megakadályozza a lefagyasztott élelmiszer nemkívánatos felmelegedését a hűtőkészülék leolvasztása közben, például csomagolja be a lefagyasztott élelmiszert több rétegnyi újságpapírba.

5) A lefagyasztott élelmiszerek hőmérsékletének megemelkedése a manuális leolvasztás, karbantartás vagy tisztítás során lerövidítheti a tárolási időt.

## 1.7. ÁRTALMATLANÍTÁSSAL KAPCSOLATOS FIGYELMEZTETÉSEK

 A hűtőszekrényhez használt hűtőközeg és habszigetelő anyag gyúlékony. Ezért a hűtőszekrényt a leselejtezése esetén tartsa távol minden tűzforrástól, és gondoskodjon arról, hogy olyan hulladékártalmatlanító társasághoz kerüljön, amely az ártalmatlanításhoz az égetéstől eltérő, megfelelő képesítéssel is rendelkezik, hogy megakadályozza a környezet sérülését vagy bármilyen egyéb ártalmat.

 A hűtőszekrény leselejtezésekor szerelje le az ajtókat, távolítsa el az ajtó tömítést és a polcokat; megfelelő helyre helyezze az ajtókat és a polcokat, így megelőzhető, hogy a gyerekek a készülékbe szoruljanak.



Ez a jelzés azt mutatja, hogy a termék nem helyezhető a háztartási hulladékba. A nem megfelelő hulladékkezelés okozta lehetséges környezeti károk, vagy emberi egészségkárosodás elkerülése érdekében felelősséggel, a természeti erőforrások újrahasznosítását segítő módon végezze a termék hulladékkezelését. A használhatatlanná vált készülék hulladékkezeléséhez vegye igénybe a visszajuttatási és hulladékgyűjtő rendszereket, vagy vegye fel a kapcsolatot azzal az értékesítővel, akitől megvásárolta a terméket. A

kereskedők gondoskodnak a termék környezetvédelmi szempontból biztonságos újrahasznosításáról.

## 2. MŰSZAKI ADATOK

Tápellátás	220 - 240 V~, 50 Hz
Névleges áram	1,1 A
Energiafogyasztás	177 kWh/év
Érintésvédelmi osztály	I . osztály
Klímaosztály	SN/N/ST/T
Lámpa névleges teljesítménye	MAX. 4,5 W
Teljes térfogat	378 liter
A frissélelmiszer-rekesz térfogata	216 liter
Fagyasztórekesz térfogata	40 liter
A négycsillagos rekesz térfogata	122 liter
Hűtőközeg és befecskendezett mennyiség	R600a/55 g
Fagyasztókapacitás	7,5 kg/ 24 óra
Méreték (M x H x Sz)	2010 x 700 x 595 mm
Nettó tömeg	85 kg

HU

## 3. TERMÉKLEÍRÁS

### 3.1. TERMÉK

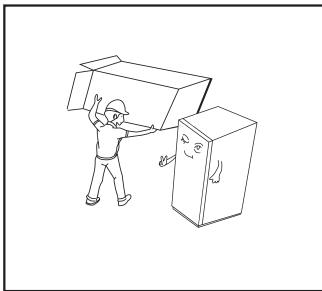
- |   |                                     |
|---|-------------------------------------|
| 1. LED-es fényforrás                    | 5. Hús- és haltároló doboz          |
| 2. Polc                                 | 6. Fiók                             |
| 3. LED lámpa (egyres modellek esetében) | 7. Ajtótalca                        |
| 4. Gyümölcs- és zöldségtároló doboz     | 8. Ajtókapcsoló (világításkapcsoló) |

### 3.2. KIJELEZŐPANEL

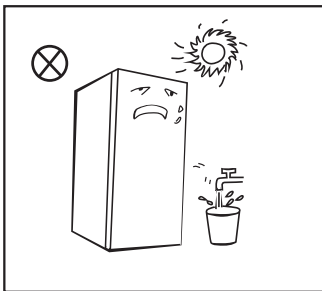
- |  |   |
|--|---|
| 1. Hűtőtér hőmérséklet-kijelző területe      | 6. Lakat ikon                               |
| 2. Fagyasztótér hőmérséklet-kijelző területe | A. Hőmérséklet-beállító gomb (hűtőtér)      |
| 3. Gyorshűtés ikon                           | B. Hőmérséklet-beállító gomb (fagyasztótér) |
| 4. Gyorsfagyasztás ikon                      | C. Szuperhűtés/szuperfagyasztás gomb        |
| 5. Vakáció ikon                              |   |

## 4. ÜZEMBE HELYEZÉS

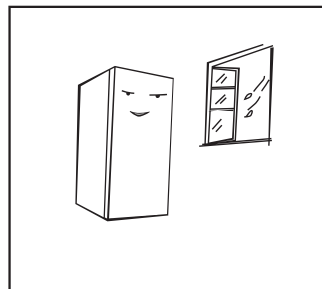
### 4.1. ELHELYEZÉS



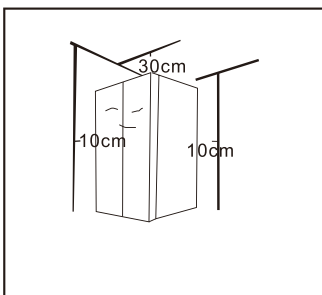
- A hűtőszekrény használatba vétele előtt távolítsa el az összes csomagolóanyagot, beleértve az alsó kipárnázást és a hűtőszekrény belsejében lévő habszivacsokat és szalagokat, illetve húzza le a védőfóliát az ajtókról és a készülékestről.
- A csomagolóanyagokat és egyéb alkatrészeket tartsa gyermekektől elzárva a fulladásveszély megelőzése érdekében.



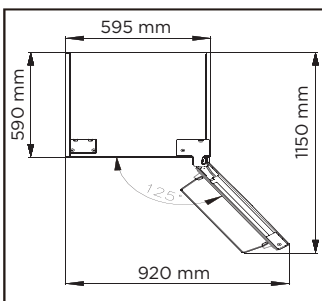
- Hőtől tartsa távol, és kerülje a közvetlen napsütést. Ne helyezze a fagyasztót nedves vagy vizes helyekre, így megelőzheti a rozsdásodást vagy a szigetelőhatás csökkenését.
- Ne permetezzen a hűtőszekrényre, illetve ne mossa le; ne tegye a hűtőszekrényt olyan helyre, ahol könnyen fröccsenhet rá víz, nehogy ezek befolyásolják a hűtőszekrény elektromos szigetelési tulajdonságait.



- A hűtőszekrényt beltéren jól szellőző helyen kell elhelyezni; a talaj legyen sík és teherbíró (ha instabil, forgassa el balra vagy jobbra, hogy beállíthassa a szintezőkereket).



- Ezt a hűtőszekrényt önállóan kell beszerezni, és nem használható beépítettként. Ellenkező esetben olyan problémákat okoz, mint például a szekrénybe való beszerelés megghiúsulása vagy a termék teljesítményének és élettartamának csökkenése. A gyártó pedig nem nyújt alapvető termékgaranciát.
- A hűtőszekrény felett 30 cm-nél nagyobb helyet kell hagyni, illetve úgy kell a falnál elhelyezni, hogy több, mint 10 cm szabad hely legyen a hőelvezetés elősegítése érdekében.



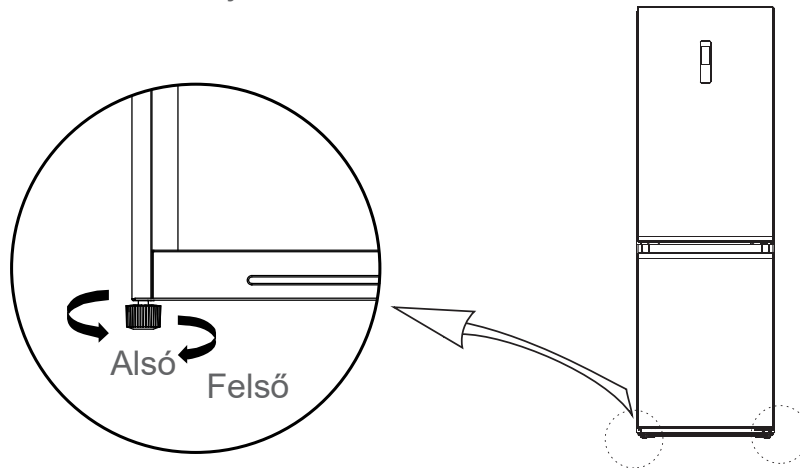
- Hagyjon elég helyet ahhoz, hogy az ajtókat és a fiókokat kényelmesen kinyithassa és kihúzhassa.

#### ! Telepítés előtti óvintézkedések:

- A tartozékok beszerelése vagy beállítása előtt győződjön meg arról, hogy a hűtőszekrényt áramtalanították.
- Óvintézkedéseket kell tenni azért, hogy a fogantyú a leesésével ne okozhasson személyi sérülést.

## 4.2. SZINTEZŐLÁBAK

A szintezőlábak sematikus ábrája:



HU





**Megjegyzés:** A fenti kép csak szemléltetési célokat szolgál. A tényleges konfiguráció a fizikai terméktől vagy a forgalmazó nyilatkozatától függ.

### Beállítási eljárások:

1. A hűtőszekrény emeléséhez a lábakat forgassa az óramutató járásával megegyező irányba;
2. A hűtőszekrényt a láb jobbról balra forgatásával engedheti lejjebb;
3. A fenti eljárások alapján állítsa be a jobb és a bal lábat a vízszintes szintre.

## 4.3. AZ AJTÓ NYITÁSÁNAK MEGFORDÍTÁSA

Szükséges eszközök:

	Keresztfejes csavarhúzó		Gittkés és vékony pengéjű csavarhúzó
	5/16"-os dugókulcs és racsni		Maszkolószalag

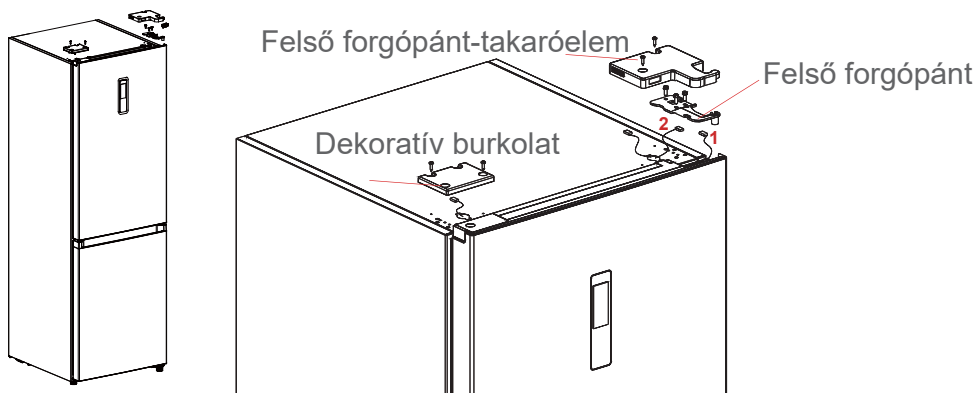
**Megjegyzés:** A fenti eszközöket nem mellékeljük.

### Az ajtó nyitásának megfordításához használandó alkatrészek:

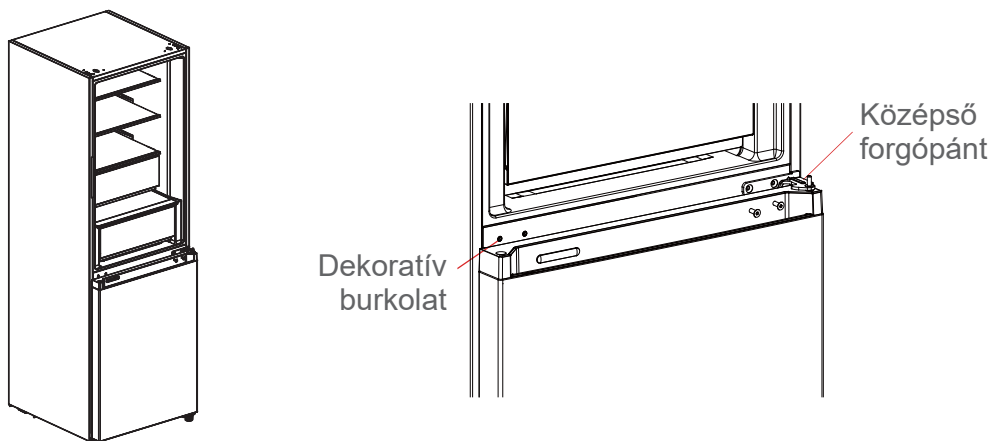
Sz.	Tétel	Mennyiség	Megjegyzés
1	Felső forgópánt	1	Előre fel van szerelve a hűtőszekrényre, eltávolítható és megőrizhető az ajtó megfordításakor
2	Felső forgópánt-takaróelem	1	Előre fel van szerelve a hűtőszekrényre, eltávolítható és megőrizhető az ajtó megfordításakor
3	Dekoratív burkolat	1	Előre fel van szerelve a hűtőszekrényre, eltávolítható és megőrizhető az ajtó megfordításakor
4	Ajtóönzáró szerkezet	2	Előre fel van szerelve a hűtőszekrényre, eltávolítható és megőrizhető az ajtó megfordításakor
5	Középső forgópánt	1	Előre fel van szerelve a hűtőszekrényre, és az ajtó megfordításakor használandó

6	Dekoratív burkolat	1	Előre fel van szerelve a hűtőszekrényre, és az ajtó megfordításakor használandó
7	Alsó forgópánt	1	Előre fel van szerelve a hűtőszekrényre, és az ajtó megfordításakor használandó
8	Szintezőlábak	1	Előre fel van szerelve a hűtőszekrényre, és az ajtó megfordításakor használandó
9	Bal oldali felső forgópánt	1	A mellékelt műanyag tasakban, az ajtó nyitásának megfordításakor vegye ki és használja ezeket az alkatrészeket
10	Bal oldali felső forgópánt-takaróelem	1	A mellékelt műanyag tasakban, az ajtó nyitásának megfordításakor vegye ki és használja ezeket az alkatrészeket
11	Bal oldali ajtóönzáró szerkezet	2	A mellékelt műanyag tasakban, az ajtó nyitásának megfordításakor vegye ki és használja ezeket az alkatrészeket
12	Jobb oldali műanyag fedél	1	A mellékelt műanyag tasakban, az ajtó nyitásának megfordításakor vegye ki és használja ezeket az alkatrészeket

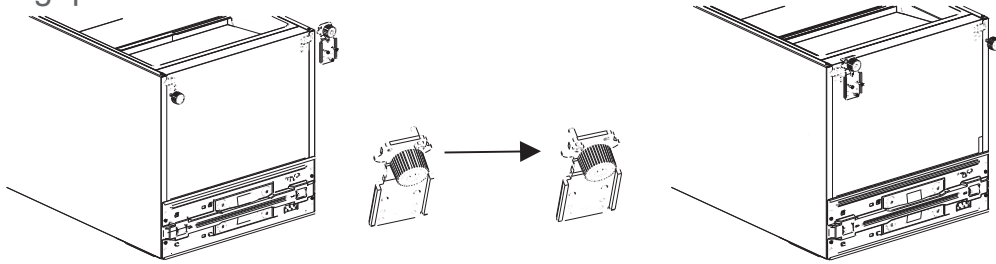
1. A művelet elvégzése előtt áramtalanítsa a gépet. Vegyen ki minden ételt az ajtópolcokról.
2. Távolítsa el a bal oldali felső forgópánt-takaróelem dekoratív burkolatát, a jobb oldali felső forgópánt-takaróelemet és a jobb oldali felső forgópántot, húzza ki a jobb oldali jelvezeteket (1-es, 2-es jelvezeték-csatlakozó) a készülék tetején.



3. Távolítsa el a hűtőtér ajtaját (ügyeljen arra, hogy ne veszítse el a kis alkatrészeket, például a tengelyhüvelyt és az ajtón található ütközőt); Távolítsa el a középső forgópántot, és a forgópántfurat dekoratív burkolatát a másik oldalon.



4. Távolítsa el a fagyasztótér ajtaját (ügyeljen arra, hogy ne veszítse el a kis alkatrészeket, például a tengelyhüvelyt és az ajtón található ütközőt); Távolítsa el a forgópántot, és állítsa be a szöveget. Távolítsa el az alsó forgópánt tengelyét és szerelje fel a forgópánt másik oldalára, majd szerelje fel a módosított alsó forgópántot a készülék másik oldalára.

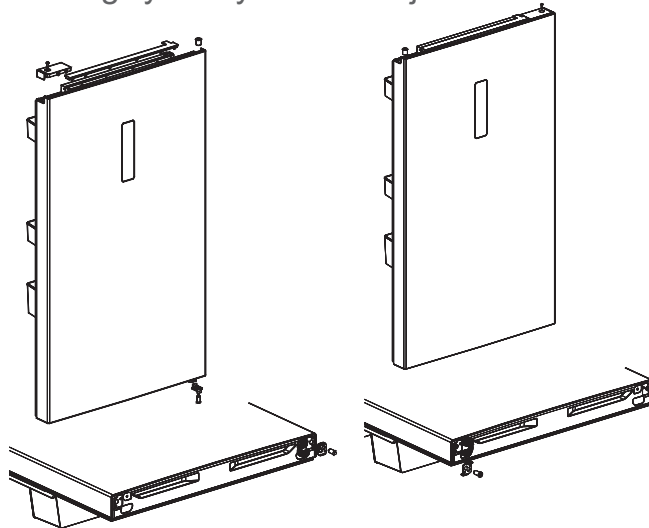


5. A hűtőtér ajtajának megfordítása

1) Vegye le a hűtőtérajtó felső zárófedelének fedőlapját és a bal oldali dekoratív burkolatot.

Szerelje fel a felső tengelyhüvelyt és az ajtó jelvezetékét a másik oldalra, és helyezze vissza a felső zárófedél fedőlapját. Vegye ki a jobb oldali dekoratív burkolatot a tartozékokat tartalmazó tasakból, és szerelje fel a felső zárófedél másik oldalára.

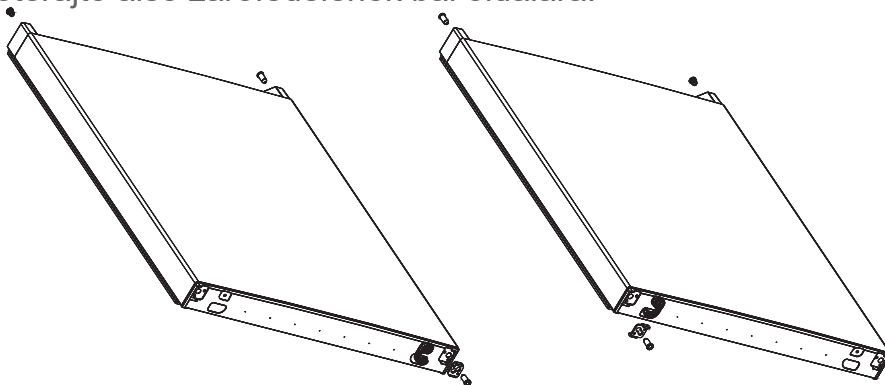
2) Távolítsa el a hűtőtér ajtajáról az önzáró szerkezetet, az ajtóütközőt és a tengelyhüvelyt, vegye ki a bal oldali ajtóhoz tartozó önzáró szerkezetet a tartozékokat tartalmazó tasakból, szerelje fel a hűtőtérajtó alsó zárófedelének bal oldalára, helyezze át az ajtóütközőt és a tengelyhüvelyt a hűtőtérajtó alsó zárófedelének bal oldalára.



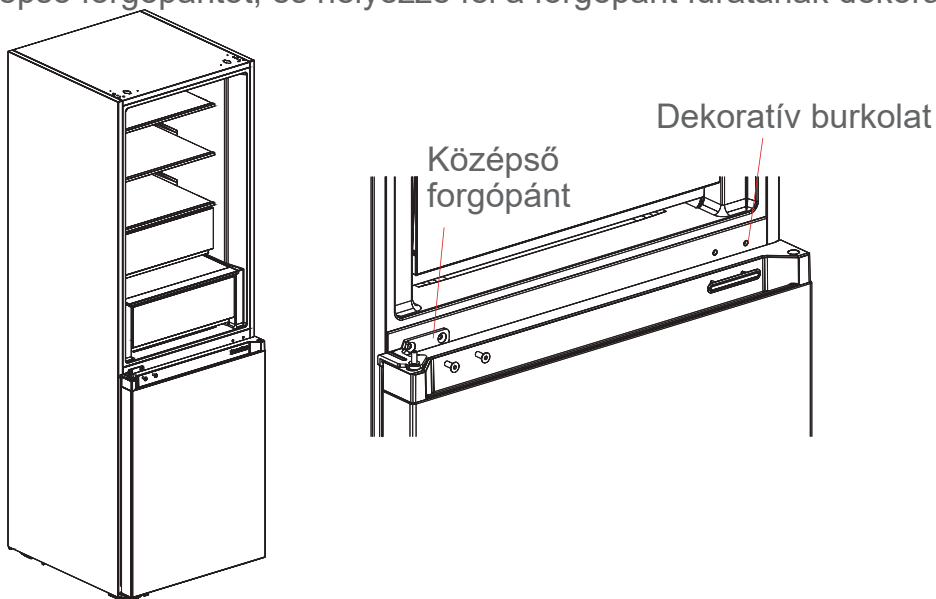
6. A fagyasztótér ajtajának megfordítása

1) Távolítsa el a fagyasztótérajtó felső zárófedelének tengelyhüvelyét és kupakját, és szerelje fel ezeket a másik oldalra.

2) Távolítsa el a fagyasztótér ajtajáról az önzáró szerkezetet, az ajtóütközőt és a tengelyhüvelyt, vegye ki a bal oldali ajtóhoz tartozó önzáró szerkezetet a tartozékokat tartalmazó tasakból, szerelje fel a fagyasztótérajtó alsó zárófedelének bal oldalára, helyezze át az ajtóütközőt és a tengelyhüvelyt a fagyasztótérajtó alsó zárófedelének bal oldalára.

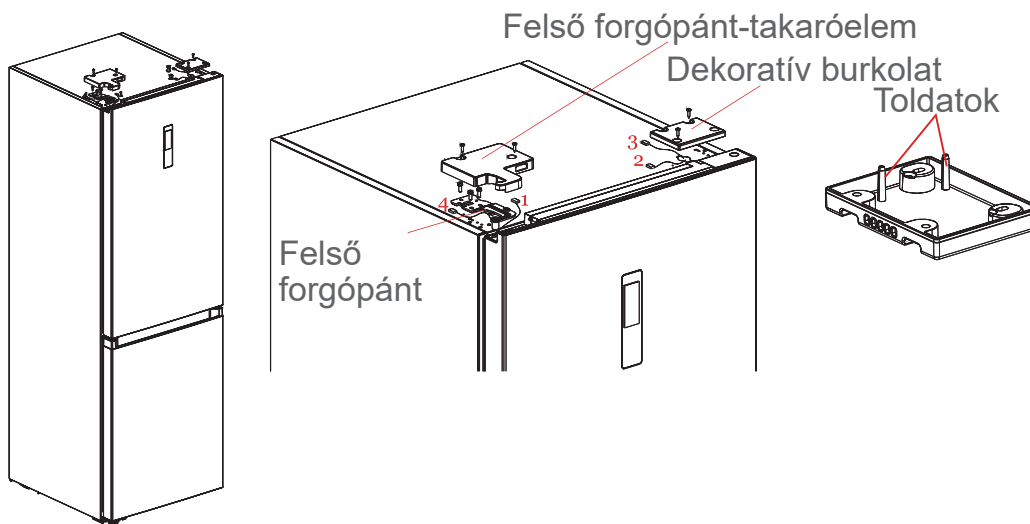


7. Szerelje fel a megfordított fagyasztótérajtót az alsó forgópántra, majd szerelje fel a középső forgópántot, és helyezze fel a forgópánt furatának dekoratív burkolatát.

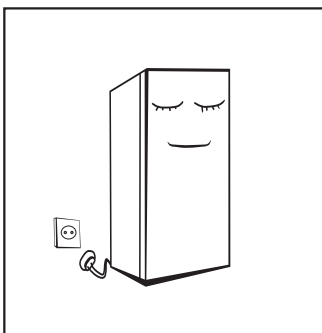


8. Vegye ki a bal oldali felső forgópánt-takaróelemet és a bal oldali felső forgópántot a tartókokat tartalmazó tasakból.

Helyezze a hűtőtér ajtaját a középső forgópántra, és szerelje fel a bal oldali felső forgópántot. Csatlakoztassa a hűtőszekrény felső 4-es jelvezetékét az ajtó 1-es jelvezetékéhez, és csatlakoztassa a 2-es jelvezetékét a 3-as jelvezetékhez. Végül helyezze vissza a forgópánt dekoratív burkolatát a hűtőszekrény jobb oldalára. A forgópánt dekoratív burkolatának a hűtőszekrény jobb oldalára történő áthelyezésekor a forgópánt dekoratív burkolatán lévő két toldatot le kell vágni (ahogy az ábrán látható).



#### 4.4. A HASZNÁLAT MEGKEZDÉSE



- Az első indítás előtt a hűtőszekrényt két óránál hosszabb ideig tartsa nyugalomban, mielőtt a tápegységhez csatlakoztatná; ellenkező esetben a hűtési teljesítmény csökkenhet vagy a termék károsodhat.
- Mielőtt friss vagy fagyasztott ételeket tenne a hűtőszekrénybe, járassa 2-3 óráig, vagy nyáron, amikor a környezeti hőmérséklet magas, 4 óránál is hosszabban.

## 5. HASZNÁLAT

### 5.1. AJÁNLOTT HŐMÉRSÉKLET-BEÁLLÍTÁS

Hűtőtér 4 °C, fagyasztótér -18 °C.

### 5.2. HŰTŐTÉR

- A hűtőtér különféle gyümölcsök, zöldségek, italok és egyéb, rövid időn belül elfogyasztandó élelmiszerek tárolására alkalmas. A javasolt tárolási idő 3–5 nap.
- Meleg ételeket tilos addig a hűtőrekeszbe helyezni, amíg azok le nem hűlnek szobahőmérsékletűre.
- Mielőtt a hűtőszekrénybe helyezi az ételeket, azt javasoljuk, hogy zárja le őket.
- A megfelelő nagyságú tárolóhely kialakítása és a könnyű használhatóság érdekében az üvegpolcok feljebb és lejjebb is helyezhetők.

**Megjegyzés:** A fiókok, élelmiszerdobozok, polcok stb. a készüléket bemutató ábrán szereplő pozícióban elhelyezve biztosítják a leginkább energiatakarékos működést.

HU

### 5.3. FAGYASZTÓTÉR


- Az alacsony hőmérsékletű fagyasztótér hosszú ideig frissen tarthatja az élelmiszereket, és elsősorban fagyasztott élelmiszerek tárolására és jég készítésére szolgál.
- A fagyasztótér alkalmas húsok, halak, rizsgolyók és más, nem rövid távon fagyasztandó élelmiszerek tárolására.
- A hússzeleteket lehetőleg apró adagokra kell osztani a könnyű hozzáférés érdekében. Kérjük, vegye figyelembe, hogy az élelmiszert az eltarthatósági időn belül el kell fogyasztani.

#### Fagyasztott élelmiszerek ajánlott tárolási ideje a fagyasztórekeszben

A tárolási idők az élelmiszertípus függvényében változnak. A lefagyasztott étel 1-12 hónapig tárolható (minimum -18 °C-on).

Élelmiszer	Tárolási idő
Szalonna, rakott készételek, tej	1 hónap
Kenyér, fagylalt, kolbász, pite, elkészített kagylófélék, olajos hal	2 hónap
Nem olajos hal, kagyló, pizza, pogácsa és muffin	3 hónap
Sonka, sütemény, keksz, marhahús és bányaborda, baromfi-hús darabok	4 hónap
Vaj, zöldségfélék (blansírozva), egész tojás és tojássárgája, főtt édesvízi rák, darált hús (nyers), sertéshús (nyers)	6 hónap
Gyümölcs (aszalt vagy szirupban), tojásfehérje, marhahús (nyers), egész csirke, bányahús (nyers), gyümölcstorta	12 hónap

### 5.4. KIJELEZŐ

- A hűtőszekrény első bekapcsolásakor a teljes kijelzőpanel világít 3 másodpercig, majd normál kijelzőre vált. A hűtőszekrény első használatakor a hűtőtér és a fagyasztótér hőmérsékletének alapbeállítása 2 °C, illetve -24 °C.
- Hiba esetén megjelenik a hibakód a kijelzőpanelen (lásd: „Hibajelzések”); normál működés közben a kijelzőpanel a hűtőtér és a fagyasztótér beállított hőmérsékletét mutatja.
- Normál működés esetén, ha 30 másodpercig nem történik művelet, a kijelzőpanel zárolásra kerül. A kijelzőpanel fénye kialszik, ha a  zárolt állapot már 30 másodperce fennáll.



## 5.5. LEZÁRÁS/FELOLDÁS

- A zárolt állapotba lépéshez feloldott állapotban nyomja meg és tartsa lenyomva 3 másodpercig a **super-cool/super-freezer gombot (C)**, és a zárolást jelző hangjelzés hallható.
- A feloldott állapotba lépéshez zárolt állapotban nyomja meg és tartsa lenyomva 3 másodpercig a **super-cool/super-freezer gombot (C)**, és a feloldást jelző hangjelzés hallható.

Ha 30 másodpercig nem nyom meg egy gombot sem, a készülék automatikusan zárolt állapotba lép, és ezzel egyidejűleg a zárolást jelző hangjelzés hallható.

Zárolt állapotban az egyetlen megengedett művelet a risztási hangjelzés kiadása. Minden más gombművelet le van tiltva, és hibajelzést vált ki.

## 5.6. A HŰTŐTÉR HŐMÉRSÉKLETÉNEK BEÁLLÍTÁSA

A hűtőtér hőmérsékletének módosításához nyomja meg a hőmérséklet-beállító gombot **(A)**; minden egyes gombnyomással 1 °C-kal csökken a hőmérséklet. A hűtőtér hőmérséklet-beállítási tartománya 2 és 8 °C között van. Ha a beállított hőmérséklet 2 °C, a gomb **(A)** újabb megnyomásával a hűtőtér hőmérséklete 8 °C-ra változik.

## 5.7. A FAGYASZTÓTÉR HŐMÉRSÉKLETÉNEK BEÁLLÍTÁSA

A fagyasztótér hőmérsékletének módosításához nyomja meg a hőmérséklet-beállító gombot **(B)**; minden egyes gombnyomással 1 °C-kal csökken a hőmérséklet. A fagyasztótér hőmérséklet-beállítási tartománya -24 és -16 °C között van. Ha a beállított hőmérséklet -24 °C, a gomb **(B)** újabb megnyomásával a fagyasztótér hőmérséklete -16 °C-ra változik.

## 5.8. ÜZEMMÓD-BEÁLLÍTÁS

A nyaralás üzemmód beállításához/törléséhez nyomja meg és tartsa lenyomva 3 másodpercig a hőmérséklet-beállító gombot **(A)**.

A nyaralás üzemmód beállításakor a hűtőtér kikapcsol, a hűtőtér hőmérséklet-kijelzője kialszik, és a fagyasztótér hőmérséklete automatikusan -18 °C-ra lesz beállítva.

A fagyasztógomb vagy a szuperhűtés/szuperfagyasztás gomb használatával kilép a nyaralás üzemmódból a készülék. Ezután a hűtőtér és a fagyasztótér hőmérséklete automatikusan a nyaralás üzemmód előtt beállított hőmérsékletre áll vissza.

Ekkor a készülék normál üzemmódba lép.

A hőmérséklet beállítása csak a zárolási üzemmódba történő belépéskor sikeres.

## 5.9. SZUPERFAGYASZTÁS ÜZEMMÓD

Nyomja meg többször a szuperhűtés/szuperfagyasztás gombot **(C)** az üzemmódok közötti váltásához a következő sorrendben: szuperhűtés -> szuperfagyasztás -> törlés. Az üzemmód beállításakor vagy törlésekor kigyullad vagy kialszik a megfelelő szuperhűtés/szuperfagyasztás ikon.

- A szuperhűtés üzemmód során a hűtőtér hőmérsékletének automatikus beállítása 2 °C;
- A szuperfagyasztás üzemmód során a fagyasztótér hőmérsékletének automatikus beállítása -24 °C;
- A szuperhűtés/szuperfagyasztás üzemmódból való kilépést követően a hűtőtér/fagyasztótér hőmérséklete automatikusan visszatér a korábban beállított értékre.
- A szuperhűtés üzemmód kb. 4,5 óra, a szuperfagyasztás üzemmód pedig kb. 25 óra működés után automatikusan kikapcsol.

**Megjegyzés:** A szuperfagyasztás funkció célja, hogy megmaradjon a fagyasztóban lévő élelmiszerek tápértéke. Ezzel a funkcióval fagyaszthatja le az ételeket a legrövidebb idő alatt. Ha nagy mennyiségű élelmiszert kell lefagyasztani egyidőben, akkor ajánlott az étel behelyezése előtt bekapcsolni a gyorsfagyasztás funkciót. Ekkor a fagyasztórekesz fagyasztási sebessége megnő, így az ételek lefagyasztása gyorsan

megtörténik, és az élelmiszerek tápanyagtartalma megmarad.

## 5.10. NYITOTTAJTÓ-RIASZTÁS

Ha a hűtőszekrény ajtaja 120 másodpercig nyitva marad, a hangjelzés addig riaszt, amíg a hűtőszekrény ajtaját be nem csukják; a hangjelzés riasztásának megszüntetéséhez bármelyik gombot megnyomhatja..

## 5.11. HIBAJELZÉSEK

A kijelzőpanelen megjelenő alábbi hibakódok a hűtőszekrény adott hibáit jelzik. Bár a hűtőszekrény az alábbi hibák esetén is hidegen tartja az ételt, a készülék optimális működése érdekében fel kell venni a kapcsolatot egy szakemberrel, aki elvégzi a készülék karbantartását.

Hibakód	A hiba leírása
E1	Hűtőtér hőmérséklet-érzékelőjének hibája
E2	Fagyasztótér hőmérséklet-érzékelőjének hibája
E3	Hús- és haltároló zóna hőmérséklet-érzékelőjének hibája
E5	Fagyasztás–kiolvasztás érzékelőjének hibája
E6	Kommunikációs hiba
E7	Környezeti hőmérséklet-érzékelő hiba

HU

## 5.12. ÉLELMISZER-TÁROLÁSI TIPPEK

- A baktériumok átjutásának elkerülése érdekében a főtt húst/halat a nyers hús/hal feletti polcok egyikén tárolja. A nyers húst/ halat olyan edényben tárolja, amely elég nagy ahhoz, hogy összegyűjtse a leveket, és fedje le megfelelően. Az edényt a legalsó polcon helyezze el.
- Hagyjon helyet az élelmiszerek körül, hogy a levegő keringessen az egységben. Győződjön meg arról, hogy az egység minden része hűvös.
- A szagok átadása és a kiszáradás elkerülése érdekében külön csomagolja vagy fedje le az élelmiszereket. A gyümölcsöket és a zöldségeket nem szükséges becsomagolni.
- Mindig hagyja kihűlni az előfőzött ételt, mielőtt beteszi a készülékbe. Ez segít fenntartani a készülék belső hőmérsékletét.
- Annak érdekében, hogy a hideg levegő ne szökjön ki a készülékből, próbálja meg leszorítani az ajtónyitások számát. Azt javasoljuk, hogy csak akkor nyissa ki az ajtót, amikor ételt kell betennie vagy kivennie.

## 5.13. ENERGIATAKARÉKOSSÁGI TIPPEK

- A készüléket a helyiség leghűvösebb részén kell elhelyezni, hőtermelő készülékektől vagy fűtéscsővektől, illetve közvetlen napfénytől távol.
- Mielőtt a készülékbe meleg ételt helyezne, várja meg, amíg az szobahőmérsékletűre hűl. A készülék túlterhelése esetén a kompresszor hosszabb ideig működik. A túlságosan lassan hűlő élelmiszerek minősége romolhat, vagy az élelmiszerek megromolhatnak.
- Ügyeljen rá, hogy megfelelően csomagolja be az élelmiszereket, és a készülékbe helyezés előtt törölje szárazra az edényeket. Ez lassítja a jegesedés kialakulását a készülékben.
- A készülék tárolóhelyét nem szabad alumíniumfóliával, viaszos papírral vagy papírtörülkövel kibélelni. A béleléshez használt anyag zavarja a levegő keringését, és rontja a készülék hatékonyságát.
- Rendezze el és címkézzé fel az élelmiszereket, így csökkentheti az ajtónyitások

számát és a keresésre fordított időt. Egyszerre csak annyi tételt vegyen ki, amennyit szükséges, és a lehető leghamarabb csukja be az ajtót.

- A fiókok, kosarak és polcok energiatakarékossághoz optimális kombinációja a készülék leírásában látható. Ha eltérnek a kombinációs javaslatától, a hatékonyság megváltozhat.
- Lehetőleg ne nyissa gyakran az ajtót, különösen ha párás és meleg az időjárás. Ha kinyitotta az ajtót, a lehető leghamarabb zárja be.
- Időnként ellenőrizze, hogy a gép szellőzése megfelelő-e (megfelelő a levegő áramlása a gép mögött).
- Átlagos hőmérsékletviszonyok esetén állítsa közepes fokozatra a termosztátot.
- Mielőtt elhelyezi a gépben a friss élelmiszersomagokat, ellenőrizze, hogy azok lehűltek-e a környezeti hőmérsékletre.
- A jég- és dérréteg megnöveli az energiafogyasztást, így amint a réteg eléri a 3–5 mm-es vastagságot, tisztítsa ki a gépet.

## 6. KARBANTARTÁS ÉS TISZTÍTÁS

### 6.1. ÁLTALÁNOS TISZTÍTÁS

**!** A leolvasztáshoz és tisztításhoz húzza ki a hűtőszekrény csatlakozódugóját a hálózati aljzattól.

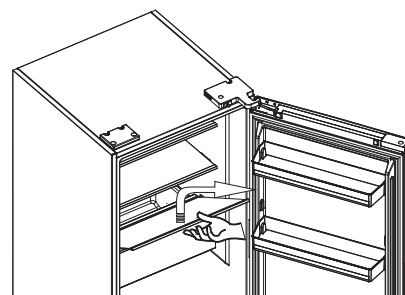
- A hűtőszekrény mögött, illetve a talajon található port rendszeres időközönként el kell távolítani, a hűtőhatás, illetve az energiatakarékosság javítása érdekében.
- Rendszeresen ellenőrizze az ajtó tömítést, hogy nincs-e rajta szennyeződés. Az ajtó tömítést egy szappanos vízben vagy hígított mosószerben megnedvesített puha ruhával törölje át.
- A hűtőszekrény belsejét rendszeresen tisztítani kell, hogy elkerülje a kellemetlen szag megjelenését.
- A belseje tisztítása előtt húzza ki a készüléket, vegyen ki minden ételt, italt, polcot, fiókot stb.
- Egy puha ruhával vagy szivaccsal tisztítsa meg a hűtőszekrény belsejét, amihez használja két evőkanál szóda-bikarbóna és egy liter meleg víz keverékét. Ezután öblítse át vízzel, és törölje tisztára. A tisztítás után nyissa ki az ajtót, és hagyja természetes módon megszáradni, mielőtt bekapcsolja a készüléket.
- Az javasoljuk, hogy a hűtőszekrény nehezen takarítható részeit (szűk helyek, hézagok, sarkok) puha ronggyal vagy puha kefével tisztítsa meg, ha szükséges, használjon segédeszközöket (pl. vékony pálcikák), hogy ezeken a területeken ne halmozódjon fel szennyeződés vagy baktérium.
- Ne használjon szappant, mosószert, súrolóport, spray tisztítószer stb., mivel ezek szagok keletkezését okozhatják a hűtőszekrény belsejében, vagy szennyezhetik az ételt.
- A palackos keretet, a polcokat és fiókokat szappanos vízzel vagy hígított mosószerral benedvesített puha ruhával törölje át. Puha ruhával vagy természetes módon szárítsa meg azokat.
- Szappanos vízzel, vagy hígított mosószerral benedvesített puha ruhával törölje le a hűtőszekrény külső részét, majd törölje szárazra.
- Ne használjon kemény keféket, acél súrolót, súrolószereket (pl. fogkrémet), organikus oldószereket (pl. alkoholt, acetont, banánolajat, stb.), forró vizet, savas vagy lúgos szereket, amelyek károsíthatják a hűtő felületét, belsejét. A forrásban lévő víz és a szerves oldószerek, mint például a benzol, eldeformálhatják vagy károsíthatják a műanyag alkatrészeket.
- Ne öblítse le a készüléket közvetlenül vízzel vagy egyéb folyadékkal a tisztítás alatt, hogy elkerülhesse a rövidzárlatot, illetve, hogy az elektromos szigetelés a



folyadékkal érintkezés után is változatlanul működhessen.

## 6.2. AZ ÜVEGPOLC TISZTÍTÁSA

- Távolítsa el a fiókot az üvegpolcról;
- Emelje fel az üvegpolc elülső részét (kb 60°-kal), majd húzza ki;
- Vegye ki az üvegpolcot, és tisztítsa meg szükség szerint;
- Az üvegpolc visszahelyezéséhez kövesse az eltávolítás lépéseit fordított sorrendben.



## 6.3. LEOLVASZTÁS

- A hűtőszekrény léghűtéses elven működik, így automatikus leolvasztási funkcióval rendelkezik. Az évszak vagy a hőmérséklet változása következtében kialakuló deresedés kézzel is eltávolítható. Ehhez csatlakoztassa le a gépet az elektromos hálózatról, vagy törölje le száraz ruhával.

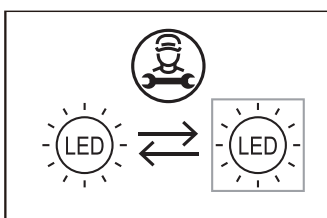
HU

## 6.4. ÜZEMEN KÍVÜL

- Áramkimaradás: Áramszünet esetén, még nyáron is, a készülék belsejében az élelmiszerek több órán át eltarthatók; az áramszünet alatt az ajtónyitások számát le kell csökkenteni, és nem szabad több friss élelmiszert betenni a készülékbe.
- Hosszú idejű használaton kívüli állapot: A készülék csatlakozódugóját ki kell húzni a hálózati aljzathoz, és a tisztítást követően az ajtókat nyitva kell hagyni a szagok elkerülése érdekében.
- Mozgatás: A hűtőszekrény mozgatása előtt távolítson el minden tárgyat a készülékből, rögzítse az üvegválasztókat, a zöldségtartót, a fagyasztórekeszeket stb. egy ragasztószalaggal, majd húzza meg a szintezőlabákat; csukja be az ajtókat és rögzítse azokat ragasztószalaggal. Mozgatás közben a készüléket nem szabad fejjel lefelé fordítani vagy vízszintesen tartani, és nem szabad megrázni sem; a mozgatás közben tilos 45°-nál nagyobb szögben megdőnteni. A készüléket ne az ajtajánál vagy a zsanérjainál fogva szállítsák.

**!** A készüléknek indítás után folyamatosan kell működnie. A készülék működését általánosságban nem szabad megszakítani, különben az élettartama lecsökkenhet.

## 6.5. A LÁMPA CSERÉJE



- A LED-lámpákat csak a gyártó, annak szerelője vagy egy hozzá hasonló képzett személy cserélheti ki vagy tarthatja karban.

A termékben lévő fényforrást csak szakképzett személy cserélheti ki.

<p>①</p>	<p>1. A csere előtt húzza ki a csatlakozódugót a hálózati aljzathoz.</p>	<p>②</p>	<p>2. Távolítsa el a lámpaburát egy csavarhúzó segítségével.</p>
<p>③</p>	<p>3. Vegye le a lámpapanelt.</p>	<p>④</p>	<p>4. Húzza ki a csatlakozót.</p>

## 7. HIBAELHÁRÍTÁS

Az alábbi egyszerű problémákat megpróbálhatja saját maga is megoldani. Ha nem sikerül megoldani a problémát, forduljon az értékesítés utáni ügyfélszolgálathoz.

Probléma	Javasolt megoldás
Sikertelen művelet	Ellenőrizze, hogy a készüléket csatlakoztatták-e a hálózatra, vagy hogy a dugó jól érintkezik-e Ellenőrizze, hogy a feszültség nem túl alacsony-e Ellenőrizze, hogy van-e áramkimaradás vagy, hogy az áramkörök részlegesen kioldottak-e
Szag	A szagos ételeket szorosan be kell csomagolni Ellenőrizze, nem romlottak-e meg az ételek A hűtőszekrény belsejét ki kell tisztítani
A kompresszor hosszú idejű működése	Természetes, hogy nyáron, amikor a külső hőmérséklet magas, a hűtőszekrény hosszabb ideig működik Ne helyezzen a készülékbe túlságosan sok élelmiszert egyszerre Ne helyezze be az élelmiszereket addig, amíg le nem lehűltek Túl gyakran nyitják ki az ajtókat
A világítás nem ég	Ellenőrizze, hogy a hűtőszekrényt csatlakoztatták-e az elektromos hálózathoz, illetve a lámpa nem sérült-e Ha a lámpa megsérült, cseréltesse ki szakemberrel
Az ajtók nem záródnak megfelelően	Az ajtózárást élelmiszercsomagok akadályozzák Túl sok ételt tettek be A hűtőszekrényt megdöntötték
Hangos zaj	Ellenőrizze, hogy a padló vízszintes-e, és a hűtőszekrény stabilan áll-e Ellenőrizze, hogy a tartozékokat a megfelelő helyre tették-e
Az ajtó tömítés nem zár	Távolítsa el az idegen anyagokat az ajtó tömítéséről Melegítse fel az ajtó tömítést, majd hűtse le a helyreállításához (vagy fújja elektromos szárítóval, vagy használjon forró törölközőt a melegítéséhez).
A vízgyűjtő edény túlcsoordul	Túl sok élelmiszer van a rekeszben, vagy a tárolt élelmiszer túl sok vizet tartalmaz, amely leolvasztáskor túl sok vizet enged Az ajtók nem záródnak megfelelően, ami a levegő bejutása miatt jegesedéshez és a leolvadás miatt megnövekedett vízmennyiséghez vezet
Forró burkolat	A beépített kondenzátor hőt ad le a burkolaton keresztül, ami normális Biztosítson megfelelő szellőzést a hőelvezetés megkönnyítése érdekében, ha a burkolat a magas környezeti hőmérséklet, a túl sok tárolt élelmiszer vagy a kompresszor leállítása miatt felforrósodik.
Felszíni kondenzáció	A hűtőszekrény külső felületén és az ajtó tömítéseken jelentkező páralecsapódás normális jelenség, ha a környezeti páratartalom túl magas. Egyszerűen csak törölje le a kondenzátumot egy tiszta törölközővel
Rendellenes zaj	Zúgás: A kompresszor működés közben zúghat, és a zúgás különösen indításkor vagy leállításkor hangos. Ez normális Nyikorgás: A készülék belsejében áramló hűtőközeg nyikorgást okozhat, ami normális.

## 1. táblázat Klímaosztályok

Osztály	Jelölés	Környezeti hőmérséklet-tartomány (°C)
Kiterjesztett mérsékelt	SN	+10 és +32
Mérsékelt	N	+16 és +32
Szubtrópusi	ST	+16 és +38
Trópusi	T	+16 és +43

Kibővített mérsékelt éghajlat: ezt a hűtőkészüléket a rendeltetése szerint 10 °C és 32 °C környezeti hőmérséklet között kell használni;

Mérsékelt éghajlat: ezt a hűtőkészüléket a rendeltetése szerint 16 °C és 32 °C környezeti hőmérséklet között kell használni;

Szubtrópusi éghajlat: ezt a hűtőkészüléket a rendeltetése szerint 16 °C és 38 °C környezeti hőmérséklet között kell használni;

Trópusi éghajlat: ezt a hűtőkészüléket a rendeltetése szerint 16 °C és 43 °C környezeti hőmérséklet között kell használni;

Az alábbi táblázatban látható megrendelt alkatrészek beszerzési csatornája \_\_\_\_\_:

Megrendelt alkatrész	Szállítója	A szállítás garantált minimális ideje
termosztátok	Professzionális karbantartó személyzet	Legalább 7 év az utolsó modell piacra kerülését követően
hőmérséklet-érzékelők	Professzionális karbantartó személyzet	Legalább 7 év az utolsó modell piacra kerülését követően
nyomtatott áramköri lapok	Professzionális karbantartó személyzet	Legalább 7 év az utolsó modell piacra kerülését követően
fényforrások	Professzionális karbantartó személyzet	Legalább 7 év az utolsó modell piacra kerülését követően
ajtófogantyúk	Professzionális szerelők és végfelhasználók	Legalább 7 év az utolsó modell piacra kerülését követően
ajtózsanérok	Professzionális szerelők és végfelhasználók	Legalább 7 év az utolsó modell piacra kerülését követően
tálcák	Professzionális szerelők és végfelhasználók	Legalább 7 év az utolsó modell piacra kerülését követően
kosarak	Professzionális szerelők és végfelhasználók	Legalább 7 év az utolsó modell piacra kerülését követően
ajtótömítések	Professzionális szerelők és végfelhasználók	Legalább 10 év az utolsó modell piacra kerülését követően

Az értékesítés utáni alkatrészek biztosításának legrövidebb ideje 15 munkanap. A termékadatbázisban szereplő modellinformációk, valamint a modellazonosító a termék energiacímkéjén található QR-kód beolvasásával elérhető internetes hivatkozáson áll rendelkezésre.

Kedves vásárló!

1. Ha vissza szeretné küldeni vagy ki szeretné cseréltetni a terméket, forduljon a vásárlás helye szerinti üzlethez.  
(Ne felejtse el magával hozni a vásárlást igazoló számlát)
2. Ha a termék meghibásodik és javításra szorul, forduljon az értékesítés utáni szolgáltatóhoz.

### Termékadatlap az (EU) 2019/2019 rendelet alapján

A készülék termékadatlapja online is rendelkezésre áll, ha le kíván tölteni egy példányt. Lépjen a <https://eprel.ec.europa.eu/> weboldalra, majd adja meg készüléke modellazonosítóját az adatlap letöltéséhez.

A készülék modellazonosítója a készülék hátoldalán vagy a belsejében lévő típustáblán található.

### Fagyasztott élelmiszer csomagolása

Helyezze légmentesen záródó csomagolásba az élelmiszert annak érdekében, hogy megőrizze az ízét, vagy ne száradjon ki.

1. Helyezze az élelmiszert a csomagolásba.
2. Távolítsa el a levegőt.
3. Zárja le a csomagolást.
4. Címkézze fel a csomagolást, és jelölje meg rajta a tartalmat és a lefagyasztás dátumát.

Megfelelő csomagolások:

Műanyag fólia, polietilénből készült tömlőfólia, alumíniumfólia.

Ezek a termékek szaküzletekben kaphatók.

### A fagyasztott élelmiszer javasolt tárolási ideje a fagyasztószekrényben

Ezek az időtartamok az élelmiszer típusától függően változóak. A lefagyasztott élelmiszer 1 és 12 hónap közötti időtartamig tartható el (legalább -18°C-on).

Élelmiszer	Tárolási idő
Szalonna, sülték, tej	1 hónap
Kenyér, jégkrém, kolbászok, lepények, tenger gyümölcsei elkészítve	2 hónap
Nem olajos halak, tenger gyümölcsei, pizza, pogácsák és muffinok	3 hónap
Sonka, sütemények, kétszersültök, marha- és bányásültök, baromfi-hús-darabok	4 hónap
Vaj, zöldségek (blansírozott), egész tojás és tojássárgája, főzött rák, darált hús (nyers), sertéshús (nyers)	6 hónap
Gyümölcs (száraz vagy szirupban), tojásfehérje, marhahús (nyers), egész csirke, bányás (nyers), gyümölcsös sütemények	12 hónap
Fruit (dry or in syrup), egg whites, beef (raw), whole chicken, lamb (raw), fruit cakes	1 month

Soha ne feledje:

- Amikor olyan friss élelmiszereket fagyaszt le, amelyre „felhasználási idő/lejárati/ szavatossági idő” vonatkozik, e lejárati előtt fagyassza le őket.
- Ellenőrizze, hogy az élelmiszer nem volt-e már fagyasztva. A már teljesen felolvasztott fagyasztott élelmiszert valóban nem szabad visszafagyasztani.
- A felengedett élelmiszert azonnal el kell fogyasztani.

Jégek készítése

Töltse fel a jégkockatálcát 3/4 részéig ivóvízzel, és helyezze a fagyasztó rekeszébe.

Ha a jégkockatálca a fagyasztó rekeszébe ragad, kizárólag tompa eszközzel lazítsa fel.  
A jégkockák kilazításához tekerje meg kissé a jégkockatálcát, vagy tartsa rövid ideig folyó víz alá.

#### Ajtónyitás jelző

Ha a fagyasztó ajtaja kb. 120 másodpercig marad nyitva, megszólal a jelző.

A jelző kikapcsolásához becsukhatja az ajtót, vagy megnyomhatja bármelyik gombot.

#### Működési zajok

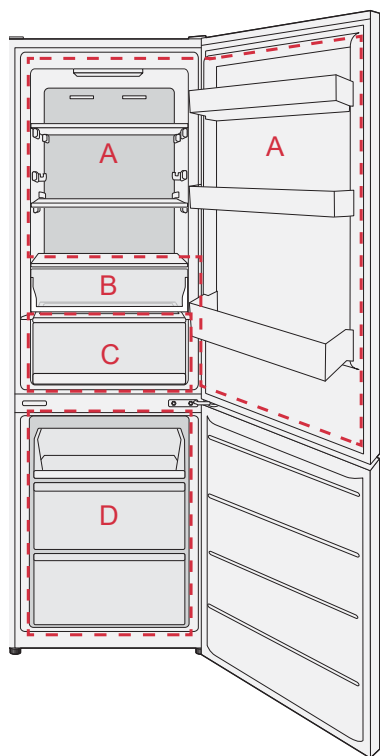
- Normál zajok

A motorok járnak. Hűtőközeg áramlik a csővezetékben.

#### A fagyasztó áthelyezése

- Húzza ki a fagyasztó csatlakozódugóját.

#### Élelmiszerek és italok tárolása



Zóna	Javasolt élelmiszer és hőmérséklet beállítás
A	<b>Hűtőtér (4°C)</b> - Napi fogyasztásra szánt élelmiszerek, csemegék, joghurtok, szószok, savanyúságok, desszertek tárolása. - Húsok, halak, kolbász, friss töltött tészták, főtt ételek, maradékok tárolása
B	<b>Ajtó polc (4°C)</b> Italok, tej, joghurt, tojás és vaj tárolása.
C	<b>Gyümölcs- és zöldségtároló rekesz (4°C)</b>
D	<b>Extra hűtőrekesz (0°C - 6°C)</b> Főzésre szánt halak, nyers húsok tárolása.
	<b>Fagyasztó (-18°C)</b> Hosszútávú tárolásra szánt élelmiszerek - Felső fiók: Fagyasztott élelmiszerek és fagylalt tárolása. - Középső fiókok: nyers húsok, baromfi és halak tárolása - Alsó fiókok: fagyasztott zöldségek, hasábburgonya tárolása



# CUPRINS:

1. INSTRUCȚIUNI DE SIGURANȚĂ	P. 137
2. SPECIFICAȚII TEHNICE	P. 142
3. DESCRIEREA PRODUSULUI	P. 142
4. INSTALARE	P. 143
5. UTILIZARE	P. 148
6. ÎNTREȚINERE ȘI CURĂȚARE	P. 151
7. REMEDIEREA DEFECȚIUNILOR	P. 153
8. GARANȚII	P. 157

## 1. INSTRUCȚIUNI DE SIGURANȚĂ

Înainte de a folosi acest produs, citiți cu atenție aceste instrucțiuni și păstrați manualul pentru o utilizare ulterioară.

RO

### 1.1. AVERTIZARE






Avertizare: Pericol de incendiu/materiale inflamabile!

1. Acest aparat este destinat a fi utilizat în aplicații casnice și similare, cum ar fi zonele de bucătărie pentru personalul din magazine, birouri și alte medii de lucru; fermelor și de către clienți în hoteluri, moteluri și alte medii de tip rezidențial; medii de tip pensiune; catering și aplicații similare non-retail.
2. Dacă este deteriorat cablul de alimentare, acesta trebuie să fie înlocuit de către producător, de agentul de service sau de persoane cu calificare similară, pentru a se evita pericolele posibile.
3. Nu depozitați în acest aparat substanțe explozive precum recipientele de aerosoli cu agent de propulsie inflamabil.
4. Aparatul trebuie să fie deconectat de la priza electrică după utilizare și înainte de a efectua lucrările de întreținere a aparatului care sunt permise a fi efectuate de către utilizator.
5. Avertizare: Păstrați deschiderile de ventilație din carcasa aparatului sau din structura încorporată, libere de orice obstrucție.
6. Avertizare: Nu utilizați dispozitive mecanice sau alte mijloace pentru accelerarea procesului de dezghețare, altele decât cele recomandate de producător.
7. Avertizare: Nu deteriorați circuitul de răcire.
8. Gazul de răcire R600a conținut în frigider este gaz natural. Acest gaz nu este dăunător pentru mediu, dar este combustibil. De aceea, este important să transportați și să instalați frigiderul cu atenție, astfel încât să nu deteriorați conductele frigiderului. Dacă apar scurgeri de gaze, evitați contactul cu flăcări sau focuri din apropiere și aerisiți camera.
9. Avertizare: Nu utilizați aparate electrice în compartimentele aparatului destinate pentru depozitarea alimentelor, cu excepția cazului în care acestea sunt de tipul recomandat de producător.
10. Avertizare: Vă rugăm să eliminați frigiderul conform reglementărilor deoarece acesta utilizează gaz inflamabil și agent frigorific.
11. Avertizare: Când poziționați acest aparat, asigurați-vă că cablul de alimentare nu este prins între alte obiecte sau deteriorat.
12. Avertizare: Nu amplasați mai multe prize portabile sau surse de alimentare portabile în partea din spate a aparatului.

13. Nu utilizați prelungitoare sau adaptoare fără împământare (cu două fire).
14. Pericol: Risc de împiedicare pentru copil. Înainte de a arunca vechiul dvs. frigider sau congelator:
  - Scoateți ușile.
  - Lăsați rafturile la locul lor astfel încât copiii să nu poată pătrunde în interior cu ușurință.
15. Frigiderul trebuie deconectat de la sursa de alimentare cu energie înainte de instalarea accesoriilor.
16. Materialul refrigerent și spuma din ciclopentan folosite în aparat sunt inflamabile. Astfel, când aparatul este evacuat, va fi ținut la distanță de orice sursă de foc și va fi distrus de o companie specializată care deține calificarea corespunzătoare și care nu îl va casa prin ardere, pentru a preveni poluarea mediului înconjurător sau orice altă daună.
17. În cazul ușilor și capacelor cu închizătoare și chei, cheile nu vor fi lăsate la îndemâna copiilor și în apropierea frigiderului, pentru a preveni blocarea copiilor în interiorul acestuia.
18. Pentru standardul UE: Acest aparat poate fi utilizat de copiii cu vârsta de cel puțin 8 ani și de persoane cu capacități fizice, senzoriale sau mentale reduse sau care nu au experiența și cunoștințele necesare, dacă sunt supravegheate sau au fost instruite cu privire la utilizarea aparatului în condiții de siguranță și înțeleg pericolele implicate. Copiii nu au voie să se joace cu acest aparat. Curățarea aparatului și întreținerea permisă pentru utilizator nu trebuie să fie efectuate de către copii decât sub supraveghere. Copiii cu vârste cuprinse între 3 și 8 ani pot încărca și descărca aparatele frigorifice.
19. Pentru a evita contaminarea alimentelor, respectați următoarele instrucțiuni:
  - Deschiderea ușii pentru perioade lungi poate provoca o creștere semnificativă a temperaturii în compartimentele aparatului.
  - Curățați cu regularitate suprafețele care pot intra în contact cu alimentele și sistemele de drenare accesibile.
  - Curățați rezervoarele de apă dacă nu au fost folosite timp de 48 de ore: spălați sistemul de apă conectat la o sursă cu apă dacă apa nu fost extrasă timp de 5 zile. (Remarca 1)
  - Depozitați carnea crudă și peștele în recipiente adecvate la frigider, astfel încât să nu fie în contact cu sau să nu curgă pe alte alimente.
  - Compartimentele cu două stele pentru alimente congelate sunt potrivite pentru depozitarea alimentelor pre-congelate, depozitarea sau prepararea înghețatei și fabricarea cuburilor de gheață. (Remarca 2)
  - Compartimentele de una, două și trei stele nu sunt potrivite pentru congelarea alimentelor proaspete. (Remarca 3)
  - Pentru aparatele fără compartiment cu 4 stele: Acest aparat frigorific nu este adecvat pentru congelarea produselor alimentare. (Remarca 4)
  - Dacă aparatul frigorific este lăsat gol timp îndelungat, opriți, dezghețați, curățați, uscați și lăsați ușa deschisă pentru a împiedica dezvoltarea mușchiului în interiorul aparatului.
  - Remarca 1,2,3,4: Vă rugăm să confirmați dacă este aplicabil în funcție de tipul dvs. de compartiment pentru produse.
20. Pentru un aparat de sine stătător: Acest dispozitiv de răcire nu este destinat pentru a fi utilizat ca un dispozitiv montat în alt mobilier.
21. Înlocuirea lămpilor cu LED-uri sau lucrările de întreținere a acestora trebuie să fie efectuate de producător, de agentul său de service sau de o persoană cu calificare similară. (Consultați capitolul 6.5 pentru înlocuirea lămpii)
22. Acest produs conține o sursă de lumină din clasa de eficiență energetică (G).
23. AVERTIZARE: Pentru a se evita riscurile cauzate de instabilitatea dispozitivului, acesta trebuie să fie fixat în conformitate cu instrucțiunile.
24. AVERTIZARE: Conectați aparatul numai la o sursă de apă potabilă. (Potrivit pentru aparatul de făcut gheață)

25. Pentru a preveni blocarea unui copil în interiorul aparatului, nu lăsați aparatul la îndemâna copiilor și pe aceștia nu îi lăsați să stea în apropierea congelatorului (sau a frigiderului). (Potrivit numai pentru produse cu sisteme de blocare)

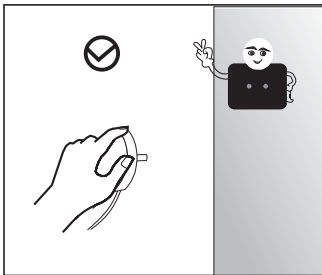
## 1.2. SEMNIFICAȚIA SIMBOLURILOR DE AVERTIZARE PRIVIND SIGURANȚA

	Acesta este un simbol de interdicție. Orice nerespectare a instrucțiunilor marcate cu acest simbol poate duce la deteriorarea produsului sau poate pune în pericol siguranța personală a utilizatorului.
	Acesta este un simbol de avertizare. Este necesar să se opereze cu respectarea strictă a instrucțiunilor marcate cu acest simbol; altfel poate fi cauzată deteriorarea produsului sau vătămări corporale.
	Acesta este un simbol de avertizare. Instrucțiunile marcate cu acest simbol necesită o atenție specială. Insuficiența de atenție poate duce la vătămări ușoare sau moderate, sau deteriorarea produsului.

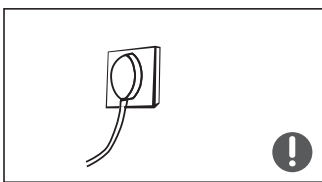
Acest manual conține o mulțime de informații importante privind siguranța, care trebuie respectate de către utilizatori.

RO

## 1.3. AVERTISMENTE PRIVIND ELECTRICITATEA



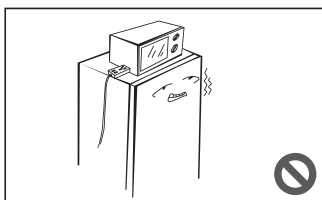
- Nu țineți de cablul de alimentare atunci când scoateți ștecherul frigiderului din priză. Vă rugăm să apucați ferm ștecherul și să-l scoateți direct din priză.
- Pentru o utilizare în siguranță, nu deteriorați cablul de alimentare și nu utilizați cablul de alimentare atunci când este deteriorat sau uzat.



- Vă rugăm să utilizați o priză de alimentare dedicată, iar aceasta să nu fie partajată cu alte aparate electrice.
- Ștecherul de alimentare trebuie să fie în contact ferm cu priza, altfel ar putea fi provocate incendii.
- Vă rugăm să vă asigurați că electrodul de împământare al prizei de curent este echipat cu o linie de împământare fiabilă.

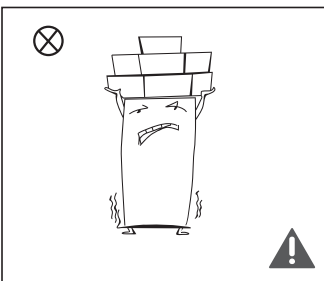
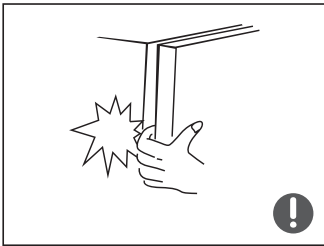
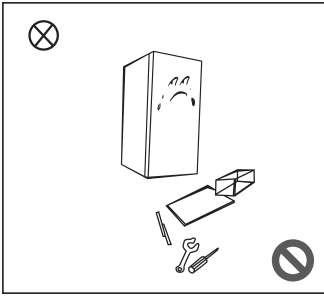


- În cazul scurgerii de gaze și alte gaze inflamabile, vă rugăm să închideți robinetul de scurgere a gazului și apoi să deschideți ușile și ferestrele. Având în vedere că scânteia poate provoca un incendiu, nu deconectați frigiderul și alte aparate electrice.



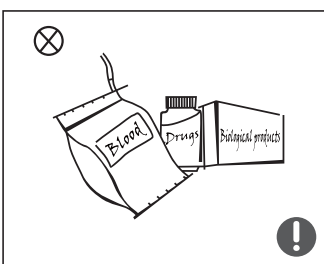
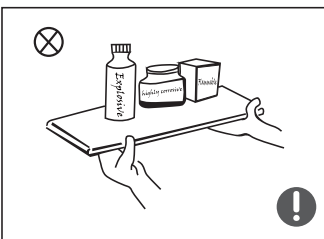
- Nu folosiți aparate electrice pe partea superioară a aparatului, decât dacă sunt de tipul recomandat de producător.

## 1.4. AVERTISMENTE PRIVIND UTILIZAREA



- Nu dezasmblați sau nu remontați frigiderul la întâmplare și nu deteriorați circuitul de agent frigorific; întreținerea aparatului trebuie efectuată de un specialist.
- Pentru a evita pericolul, cablul de alimentare deteriorat trebuie înlocuit de către producător, departamentul său de întreținere sau profesioniști instruiți în acest sens.
- Spațiile dintre ușile frigiderului și dintre ușă și corpul frigiderului sunt mici, evitați să puneți mâna în aceste zone pentru a preveni strângerea degetului. Vă rugăm închideți blând ușa frigiderului pentru a evita căderea articolelor.
- Nu puneți cu mâinile ude alimente sau recipiente în camera de congelare atunci când frigiderul funcționează, în special recipiente metalice, pentru a evita degerăturile.
- Nu permiteți niciunui copil să intre sau să se urce în frigider; în caz contrar, poate fi provocată rănirea copilului prin sufocare sau cădere.
- Nu puneți obiecte grele pe partea superioară a frigiderului, având în vedere că obiectele pot cădea atunci când închideți sau deschideți ușa și pot cauza răni accidentale.
- În caz de pană de curent sau în cazul curățării, vă rugăm să scoateți ștecherul din priză. Nu conectați frigiderul la sursa de alimentare în următoarele cinci minute pentru a preveni deteriorarea compresorului din cauza pornirilor repetate.

## 1.5. AVERTISMENTE PRIVIND POZIȚIONAREA



- Nu puneți în frigider obiecte inflamabile, explozive, volatile sau foarte corozive pentru a preveni astfel deteriorarea produsului sau incendiile.
- Nu așezați obiecte inflamabile lângă frigider, pentru a evita astfel producerea de incendii.
- Frigiderul este destinat uzului casnic, cum ar fi depozitarea alimentelor; nu va fi utilizat în alte scopuri, cum ar fi depozitarea sângelui, a medicamentelor sau a produselor biologice etc.



- Nu depozitați berea, băuturile sau alte lichide ambalate în sticle sau recipiente închise în camera de congelare a frigiderului; sticlele sau recipientele închise se pot fisura din cauza înghețului, provocând daune.

## 1.6. AVERTISMENTE PRIVIND ENERGIA

1) Este posibil ca frigiderul să nu funcționeze constant (posibilitate de dezghețare a produselor sau temperatura prea ridicată în compartimentul de alimente congelate) când sunt setate pentru o lungă perioadă de timp sub nivelul maxim de răcire al intervalului de temperaturi pentru care frigiderul a fost proiectat.

2) Este cert că băuturile efervescente nu trebuie depozitate în compartimente sau dulapuri congelatoare pentru alimente sau în compartimente sau dulapuri cu temperatură scăzută și că unele produse precum cuburile de gheață nu trebuie consumate prea reci.

3) Necesitatea de a nu depăși timpul(rile) de depozitare recomandat(e) de producătorii de alimente pentru orice fel de alimente și în special pentru alimente din comerț, congelate rapid, în compartimente pentru alimente congelate sau dulapuri de depozitare a alimentelor congelate.

4) Măsurile de precauție necesare pentru a preveni o creștere nejustificată a temperaturii alimentelor congelate în timpul dezghețării aparatului frigorific, cum ar fi ambalarea alimentelor congelate în mai multe straturi de ziar.

5) Este cert că o creștere a temperaturii alimentelor congelate în timpul dezghețării manuale, întreținerii sau curățării ar putea scurta durata de viață.

## 1.7. AVERTISMENTE PRIVIND ELIMINAREA

⊘ Agentul frigorific și materialul de spumare ciclopentan utilizat pentru frigider sunt inflamabile. Prin urmare, atunci când casați frigiderul, acesta trebuie ținut la distanță de orice sursă de incendiu și trebuie preluat de către o companie specială de recuperare cu o calificare corespunzătoare, alta decât eliminarea prin combustie, astfel încât să se prevină deteriorarea mediului sau orice alte daune.

⚠ Atunci când casați frigiderul, demontați ușile și scoateți garniturile de fixare a ușii și a rafturilor; puneți ușile și rafturile într-un loc adecvat, pentru a preveni blocarea unui copil.



Acest marcaj indică faptul că acest produs nu trebuie aruncat împreună cu alte deșeuri menajere. Pentru a preveni posibilele daune asupra mediului sau sănătății umane din depozitarea necontrolată a deșeurilor, reciclați-l în mod responsabil pentru a susține reutilizarea durabilă a resurselor materiale.

Pentru a returna aparatul utilizat, utilizați sistemele de returnare și de colectare sau contactați distribuitorul unde a fost achiziționat produsul. Aceștia pot prelua acest produs pentru reciclarea ecologică.

## 2. SPECIFICAȚII TEHNICE

Alimentare	220 - 240 V~,50 Hz
Curentul nominal	1,1 A
Consumul de energie	177 kWh/a
Clasa de protecție	Clasa I
Clasa climatică	SN/N/ST/T
Puterea nominală a lămpii	MAX 4,5 W
Volum total	378 L
Volumul compartimentului pentru alimente proaspete	216 L
Volumul compartimentului de răcire	40 L
Volumul compartimentului cu patru stele	122 L
Refrigerant și cantitatea injectată	R600a/55g
Capacitatea de congelare	7,5 kg/24 h
Dimensiuni (L x l x H)	2010 x 700 x 595 mm
Greutate netă	85 kg

RO

## 3. DESCRIEREA PRODUSULUI

### 3.1. PRODUS

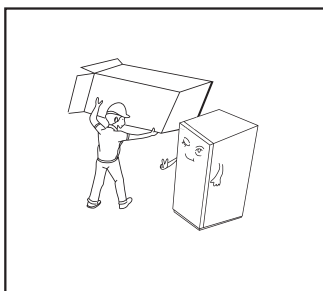
- |                                     |                            |
|-------------------------------------|----------------------------|
| 1. Lumină cu LED                    | 5. Cutie cu carne și pește |
| 2. Raft                             | 6. Sertar                  |
| 3. Lumină LED (pentru unele modele) | 7. Tava uşii               |
| 4. Cutie cu fructe și legume        | 8. Comutator de uşă        |

### 3.2. PANOUL DE AFIŞARE

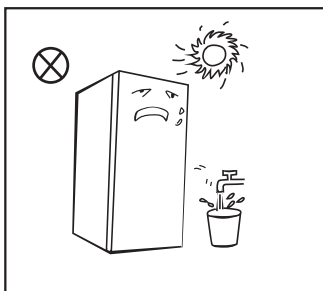
- |  |   |
|--|---|
| 1. Zona de afişare a temperaturii camerei frigorifice  | 6. Pictograma Blocarea                                    |
| 2. Zona de afişare a temperaturii camerei de congelare | A. Buton de setare a temperaturii (camera frigorifică)    |
| 3. Pictogramă rapidă                                   | B. Buton de setare a temperaturii (camera congelatorului) |
| 4. Pictograma de înghețare rapidă                      | C. Buton super rece/super congelare                       |
| 5. Pictogramă ce indică vacanța                        |   |

## 4. INSTALARE

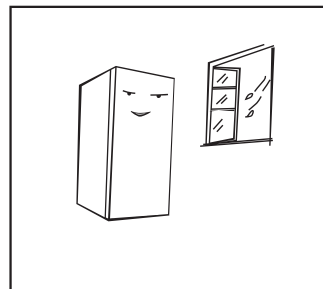
### 4.1. AMPLASAREA



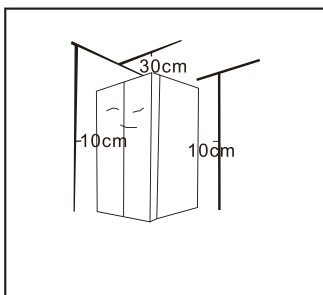
- Înainte de utilizare, îndepărtați toate materialele de ambalare, inclusiv pernele inferioare, suporturile de spumă și benzile din interiorul frigiderului; rupeți folia de protecție aplicată pe ușile și pe corpul frigiderului.
- Vă rugăm să nu lăsați materialele de ambalare și alte părți la îndemâna copiilor pentru a preveni riscul de sufocare.



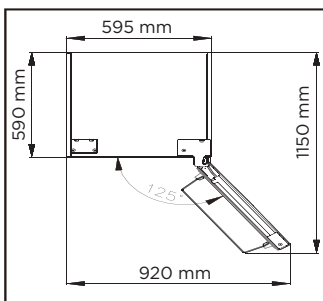
- Păstrați-l departe de căldură și evitați lumina directă a soarelui. Nu așezați congelatorul în locuri umede sau apoase pentru a preveni rugina sau reducerea efectului de izolare.
- Nu pulverizați și nu spălați frigiderul; nu poziționați frigiderul în locuri umede, unde poate fi ușor de stropit cu apă pentru a nu afecta proprietățile de izolare electrică ale frigiderului.



- Frigiderul se poziționează într-un loc interior bine ventilat; podeaua trebuie să fie plată și fermă (roțiți-l la stânga sau la dreapta pentru a regla roata pentru nivelare dacă este instabilă).



- Acest frigider trebuie instalat independent și nu poate fi utilizat montat în alt mobilier. În caz contrar, va cauza probleme, cum ar fi eșecul de instalare a vitrinei frigorifice, reducerea performanței și a duratei de viață a produsului. Iar producătorul nu oferă garanția de bază pentru produs.
- Spațiul superior al frigiderului trebuie să fie mai mare de 30 cm, iar frigiderul trebuie poziționat la o distanță mai mare de 10 cm de perete pentru a facilita disiparea căldurii.



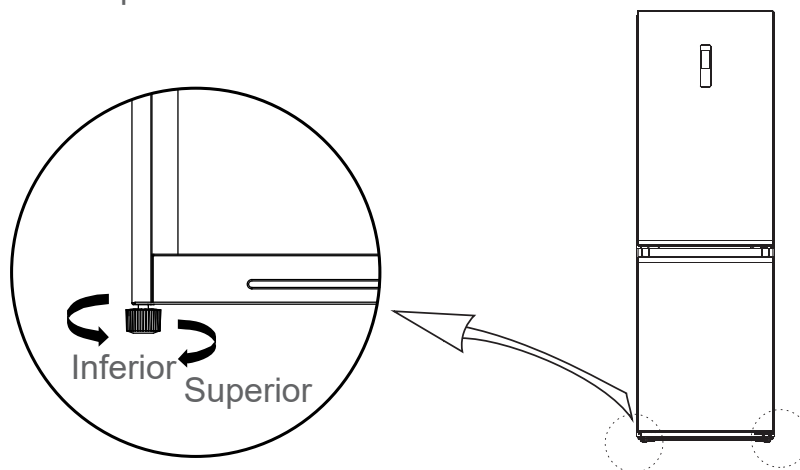
- Rezervați suficient spațiu pentru deschiderea convenabilă a ușilor și a sertarelor.

#### ! Precauții înainte de instalare:

- Înainte de instalarea sau reglarea accesoriilor, asigurați-vă că frigiderul este deconectat de la curent.
- Este necesar de luat măsuri de precauție pentru a preveni căderea mânerului ceea ce ar provoca vătămări corporale.

## 4.2. PICIOARELE DE NIVELARE

Diagrama schematică a picioarelor de nivelare:



**Notă:** Poza de mai sus este doar pentru referință. Configurația reală va depinde de produsul fizic sau de declarația distribuitorului.

### Proceduri cu privire la ajustare:

1. Rotiți picioarele în sensul acelor de ceasornic pentru a ridica frigiderul;
2. Rotiți picioarele spre stânga pentru a coborî frigiderul.
3. Reglați picioarele drepte și stângi pe baza procedurilor de mai sus la un nivel orizontal.

## 4.3. INVERSAREA BALANSULUI UȘII

Unelte necesare:

	Șurubelniță cu cap cruce		Spatulă & șurubelniță cu lamă subțire
	mufă 5/16" și clichet		Bandă camuflantă

**Notă:** Instrumentele de mai sus nu sunt furnizate.

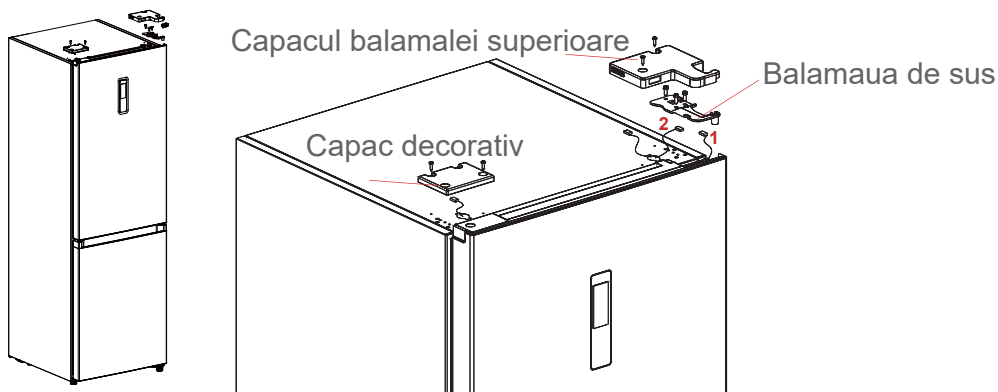
### Piese care vor fi utilizate pentru inversarea ușii:

Nr.	Element	Cantitate	Notă
1	Balamaua de sus	1	Preinstalată pe frigider, scoasă și păstrată la schimbarea ușii
2	Capacul balamalei superioare	1	Preinstalată pe frigider, scoasă și păstrată la schimbarea ușii
3	Capac decorativ	1	Preinstalată pe frigider, scoasă și păstrată la schimbarea ușii
4	Ușă cu autoblocare	2	Preinstalată pe frigider, scoasă și păstrată la schimbarea ușii
5	Balama din mijloc	1	Preinstalată pe frigider și pentru a fi folosită la schimbarea ușii
6	Capac decorativ	1	Preinstalată pe frigider și pentru a fi folosită la schimbarea ușii

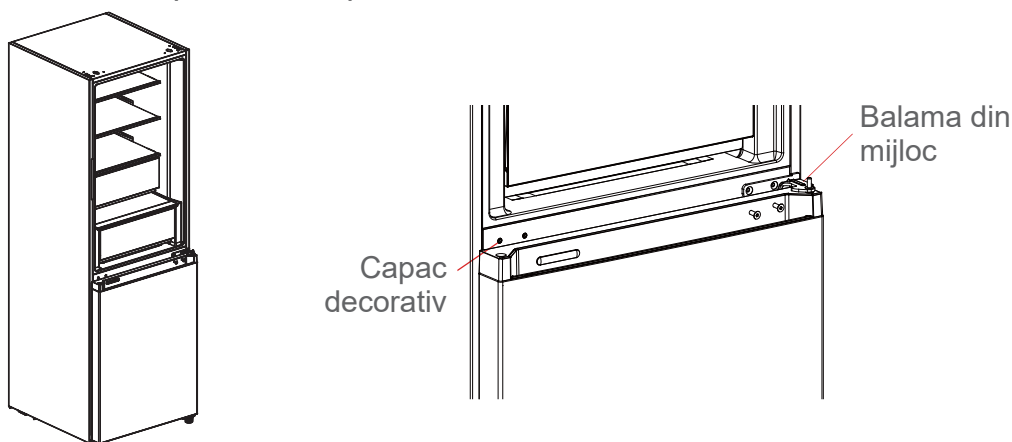


7	Balamaua de jos	1	Preinstalat pe frigider și pentru a fi folosit la schimbarea ușii
8	Picioarele de nivelare	1	Preinstalat pe frigider și pentru a fi folosit la schimbarea ușii
9	Balama superioară de stânga	1	În punga de plastic atașată, scoateți-le pentru utilizare când ușa este inversată
10	Capacul balamalei superioare de stânga	1	În punga de plastic atașată, scoateți-le pentru utilizare când ușa este inversată
11	Ușă cu autoblocare din stânga	2	În punga de plastic atașată, scoateți-le pentru utilizare când ușa este inversată
12	Capac plastic din dreapta	1	În punga de plastic atașată, scoateți-le pentru utilizare când ușa este inversată

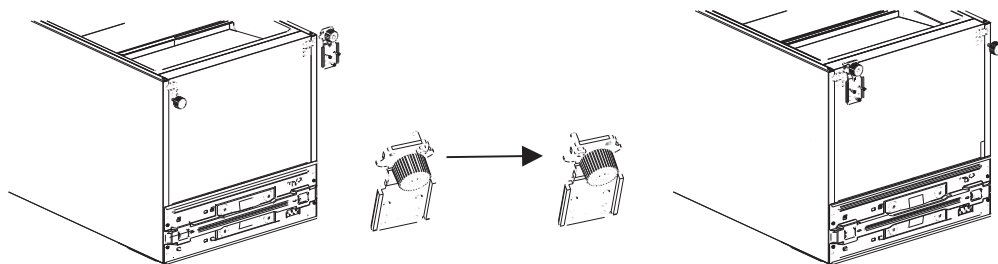
1. Opriți aparatul înainte de a efectua această operație. Scoateți toate alimentele de pe rafturile ușilor.
2. Scoateți capacul decorativ al capacului balamalei din stânga sus, capacul balamalei din dreapta sus și deconectați linia de semnal din dreapta (bornele liniei de semnal 1, 2) din partea superioară a corpului cutiei.



3. Scoateți corpul ușii frigorifice (aveți grijă să nu pierdeți piese mici precum manșonul arborelui și opriți-vă pe ușă); Scoateți balamaua din mijloc și îndepărtați capacul decorativ al orificiului balamalei de pe cealaltă parte.



4. Scoateți corpul ușii de congelare (aveți grijă să nu pierdeți piese mici, cum ar fi manșonul arborelui și opriți-vă pe ușă); Scoateți balamaua și reglați unghiul. Scoateți și instalați arborele balamalei inferioare pe cealaltă parte a balamalei și instalați balamaua inferioară modificată pe cealaltă parte a cutiei.



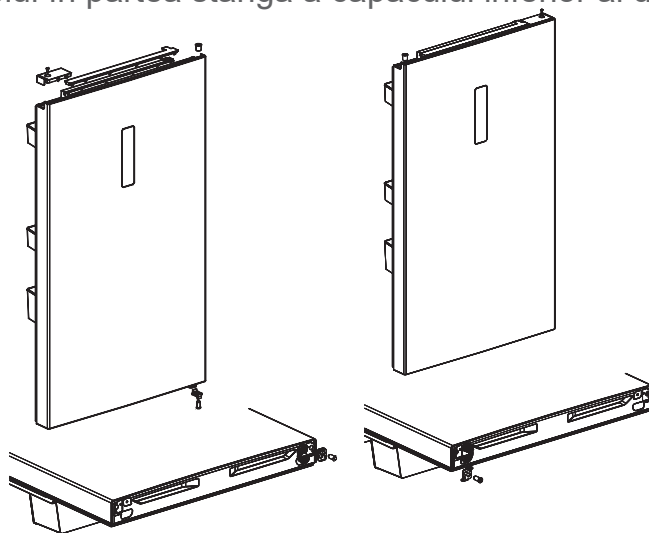
5. Schimbați ușa frigiderului:

1) Scoateți placa de acoperire a capacului superior al ușii frigorifice și capacul decorativ din stânga.

Instalați manșonul arborelui superior și linia de semnal al corpului ușii pe cealaltă parte și acoperiți placa de acoperire a capătului superior. Scoateți capacul decorativ potrivit din pungă de accesorii și instalați-l pe cealaltă parte a capacului superior.

2) Scoateți ușa cu blocare automată, opritorul ușii și manșonul ușii frigorifice, scoateți ușa din stânga cu blocare automată din geanta de accesorii, instalați-o pe partea stângă a capacului inferior al ușii frigorifice, schimbați opritorul ușii și manșonul arborelui în partea stângă a capacului inferior al ușii frigorifice.

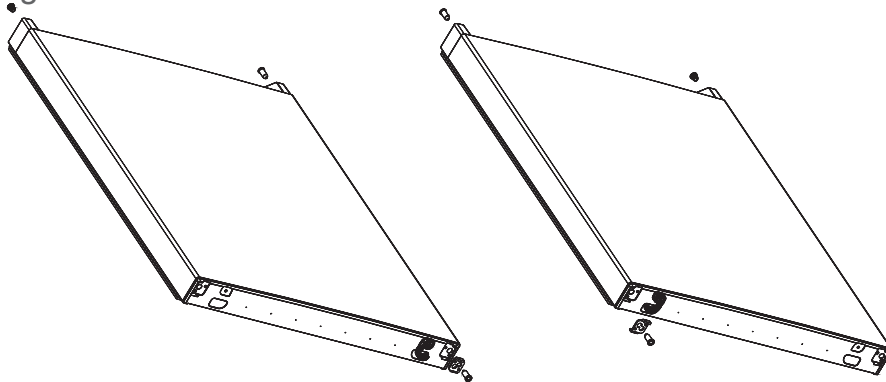
RO



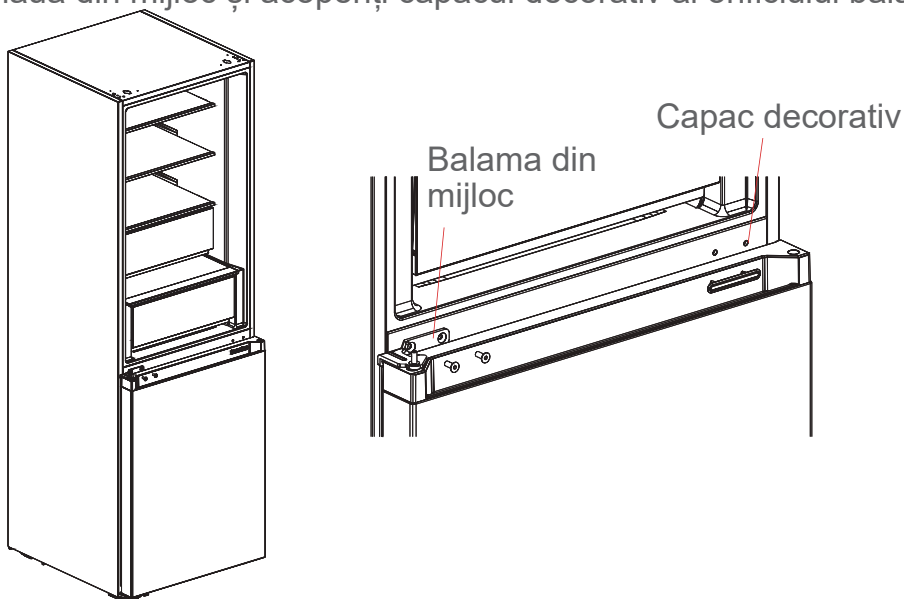
6. Schimbați ușa congelatorului:

1) Scoateți manșonul arborelui și șapca capacului superior al ușii congelatorului și instalați-le în pozițiile de schimb din stânga și din dreapta.

2) Scoateți ușa cu blocare automată, opritorul ușii și manșonul ușii congelatorului, scoateți ușa din stânga cu blocare automată din geanta de accesorii, instalați-o pe partea stângă a capacului inferior al ușii congelatorului, schimbați opritorul ușii și manșonul arborelui în partea stângă a capacului inferior al ușii congelatorului.



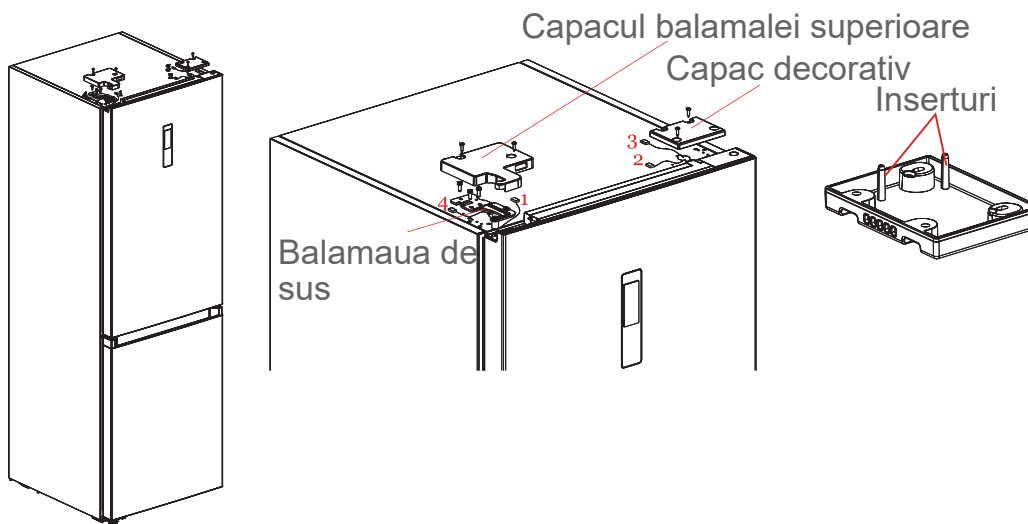
7. Instalați ușa congelatorului înlocuită pe balamaua inferioară, apoi instalați balamaua din mijloc și acoperiți capacul decorativ al orificiului balamalei.



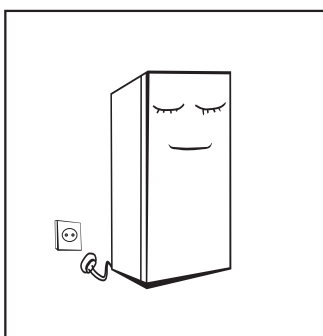
8. Scoateți capacul balamalei din stânga sus și balamaua din stânga sus din geanta pentru accesorii.

Așezați corpul ușii frigiderului pe balamaua din mijloc și instalați balamaua din stânga sus. Conectați linia de semnal superior 4 a frigiderului la linia de semnal 1 a corpului ușii și conectați linia de semnal 2 la linia de semnal 3.

În cele din urmă, înlocuiți capacul decorativ al balamalei în partea dreaptă al corpului cutiei. La înlocuirea capacului decorativ al balamalei în partea dreaptă a corpului cutiei, cele două insertii de pe capacul decorativ al balamalei (după cum se arată în figură) vor fi tăiate.



#### 4.4. ÎNCEPEREA UTILIZĂRII



- Înainte de pornirea inițială, păstrați frigiderul nemișcat mai mult de două ore înainte de a-l conecta la sursa de alimentare; în caz contrar, va duce la o scădere a capacității de răcire sau la deteriorarea produsului.
- Înainte de a pune orice alimente proaspete sau congelate, frigiderul trebuie să funcționeze timp de 2-3 ore sau mai mult de 4 ore pe timp de vară, când temperatura ambientală este ridicată.

## 5. UTILIZARE

### 5.1. SETARE DE TEMPERATURĂ RECOMANDATĂ

Camera de refrigerare 4 °C, camera de congelare -18 °C.

### 5.2. CAMERA FRIGORIFICĂ

- Camera frigorifică este potrivită pentru depozitarea unei varietăți de fructe, legume, băuturi și alte alimente consumate pe termen scurt. Timpul de depozitare recomandat este de la 3 până la 5 zile.
- Alimentele fierbinți nu trebuie introduse în camera frigorifică până când nu se răcesc la temperatura camerei.
- Se recomandă de a sigila alimentele înainte de a le pune la frigider.
- Rafturile din sticlă pot fi reglate în sus sau în jos pentru o cantitate rezonabilă de spațiu de depozitare și de utilizare ușoară.

**Notă:** Atunci când sertarele, cutiile pentru alimente, rafturile etc., sunt așexate conform descrierii din imaginea de prezentare a dispozitivului sunt cele mai eficiente din punct de vedere energetic.

### 5.3. CAMERA DE CONGELARE

- Camera de congelare la temperatură joasă poate păstra alimentele proaspete pentru o lungă perioadă de timp și este folosită în principal pentru a depozita alimente congelate și a face gheață.
- Compartimentul congelatorului este potrivit pentru depozitarea cărnii, a peștelui, a bilelor de orez și a altor alimente care nu trebuie consumate pe termen scurt.
- Se recomandă ca bucățile mari de carne să fie tăiate în bucăți mai mici pentru a avea acces mai ușor la acestea. Vă rugăm să rețineți că alimentele vor fi consumate în termenul de valabilitate.


#### Durate recomandate de păstrare a alimentelor congelate în compartimentul congelatorului

Aceste perioade variază în funcție de tipul de mâncare. Alimentele pe care le congelați pot fi păstrate de la 1 la 12 luni (minimum la -18°C).

Aliment	Durata de depozitare
Bacon, caserole, lapte	1 lună
Pâine, înghețată, cârnați, plăcinte, crustacee preparate, pește gras	2 luni
Pește fără ulei, crustacee, pizza, chifle și brioșe	3 luni
Șuncă, prăjituri, biscuiți, cotlete de vită și miel, bucăți de pasăre	4 luni
Unt, legume (curățate), ouă întregi și gălbenușuri, raci fierți, carne tocată (crudă), carne de porc (crudă)	6 luni
Fructe (uscate sau în sirop), albușuri, carne de vită (crudă), pui întreg, miel (crudă), prăjituri cu fructe	12 luni

### 5.4. ECRAN

- La pornirea frigiderului pentru prima dată, întregul panou de afișare va străluci timp de 3 secunde, apoi intră în afișajul normal. Când utilizați frigiderul pentru prima dată, temperaturile implicite ale camerei frigorifice și ale camerei de congelare sunt de 2 °C și respectiv -24 °C.

- Când apare o eroare, panoul de afișare afișează codul de eroare (vezi „Indicarea defecțiunii”); în timpul funcționării normale, panoul de afișare arată temperatura setată a camerei frigorifice și a camerei de congelare.
- În condiții de funcționare normală, dacă nu există nicio operațiune în 30 de secunde, panoul de afișare va fi blocat. Lumina panoului de afișare se va stinge după ce starea de blocare continuă  timp de 30 de secunde.

## 5.5. BLOCARE/DEBLOCARE

- În starea deblocat, apăsați și mențineți apăsat **butonul de super-cool/super-freezer (C)** timp de 3 s pentru a intra în starea de blocare, iar soneria de blocare va suna.
- În starea de blocare, apăsați și mențineți apăsat **butonul de super-cool/super-freezer (C)** timp de 3 s pentru a intra în starea de deblocare, iar soneria de deblocare va suna.

După 30 de secunde fără apăsarea niciunui buton, aparatul va intra automat în starea de blocare și soneria de blocare va suna în același timp.

În starea blocată, singura operațiune permisă este eliberarea sunetului de alarmă.

Orice altă operațiune a tastei este interzisă și va induce un semnal sonor de eroare.

## 5.6. REGLAREA TEMPERATURII CAMEREI FRIGORIFICE

Apăsați butonul de setare al temperaturii **(A)** pentru a modifica temperatura camerei frigorifice; fiecare apăsare a butonului va scădea temperatura cu 1 °C. Intervalul de setare al temperaturii camerei frigorifice este de la 2 la 8 °C. Când temperatura setată este de 2 °C, o nouă apăsare a butonului **(A)** va comuta temperatura camerei frigorifice la 8 °C.

RO

## 5.7. REGLAREA TEMPERATURII CAMEREI DE CONGELARE

Apăsați butonul de setare al temperaturii **(B)** pentru a modifica temperatura camerei de congelare; fiecare apăsare a butonului va scădea temperatura cu 1 °C. Intervalul de setare al temperaturii camerei frigorifice este de la -24 la -16 °C. Când temperatura setată este de -24 °C, o nouă apăsare a butonului **(B)** va comuta temperatura camerei de congelare la -16 °C.

## 5.8. SETAREA MODULUI

Apăsați și mențineți apăsat butonul de setare al temperaturii **(A)** timp de 3 s pentru a seta/anula modul vacanță.

Când este setat modul de vacanță, camera de refrigerare este oprită, zona de afișare a temperaturii de refrigerare este stinsă, iar camera de congelare este setată automat la -18 °C.

Aționarea butonului Congelator sau a butonului Super cool/super congelare va ieși din modul vacanță. Apoi camera frigorifică și camera de congelare vor reveni automat la temperatura setată înainte de modul vacanță.

Acum dispozitivul intră în modul normal de funcționare.

Temperatura nu poate fi setată cu succes decât în modul blocat.

## 5.9. MOD SUPER CONGELATOR

Apăsați butonul super cool/super congelator **(C)** în mod repetat pentru a comuta modul în această ordine: super cool -> super freezer -> anulare. Când un mod este setat sau anulat, pictograma corespunzătoare super-cool/super-freezer va fi aprinsă sau dezactivată.

- În timpul modului super cool, camera frigorifică este setată automat la 2 °C;
- În modul super congelator, camera de congelare este setată automat la -24 °C;
- După ce ieși din modul super cool/super congelator, camera de refrigerare/înghețare va reveni automat la temperatura pe care ai setat-o înainte.
- Modul super cool va fi dezactivat automat după rularea timp de aproximativ 4,5 ore, iar modul super congelator va fi dezactivat automat după rularea timp de

aproximativ 25 de ore.

**Notă:** Funcția de super-congelator este concepută pentru a menține valoarea nutritivă a alimentelor din congelator. Poate congela alimentele în cel mai scurt timp. Dacă o cantitate mare de alimente este congelată la un moment dat, se recomandă ca utilizatorul să pornească funcția de congelare rapidă și să introducă alimentele. În acest moment, viteza de congelare a compartimentului congelator este crescută, ceea ce poate îngheța rapid alimente și blochează eficient nutriția alimentelor.

## 5.10. ALARMĂ DE UȘĂ DESCHISĂ

Dacă ușa frigiderului rămâne deschisă mai mult de 120 de secunde, o alarmă sonoră va fi emisă până la închiderea ușii frigiderului; puteți apăsa orice buton pentru a anula alarma sonoră.

## 5.11. INDICATOR DEFECȚIUNE

Următoarele coduri de eroare care apar pe panoul de afișare indică defecțiunile corespunzătoare ale frigiderului.

Deși frigiderul poate menține alimentele reci cu următoarele defecțiuni, utilizatorul trebuie să contacteze un specialist de întreținere pentru întreținere, astfel încât să asigure funcționarea optimă a aparatului.

Cod de eroare	Descrierea defecțiunii
E1	Defectarea senzorului de temperatură din camera de răcire
E2	Defectarea senzorului de temperatură din camera de congelare
E3	Defecțiunea senzorului de temperatură a zonei de carne și pește
E5	Eroare la senzorul circuitului de detectare a decongelării
E6	Eroare de comunicație
E7	Eroare senzor de temperatură ambientală

## 5.12. RECOMANDĂRI PENTRU PĂSTRAREA ALIMENTELOR

- Carnea/peștele fiert trebuie depozitat pe un raft deasupra cărnii/peștelui crud pentru a evita transferul bacterian. Păstrați carnea crudă/peștele crud într-un recipient care este suficient de mare pentru a colecta sucurile respective și a le acoperi corespunzător. Așezați acest container pe raftul cel mai de jos.
- Lăsați spațiu în jurul alimentelor, pentru a permite aerului să circule în interiorul unității. Asigurați-vă că toate părțile unității sunt păstrate la rece.
- Pentru a preveni transmiterea de mirosuri și uscarea, împachetați separat sau acoperiți separat alimentele. Fructele și legumele nu trebuie să fie înfășurate/înfoliate/împachetate.
- Lăsați întotdeauna alimentele pregătite să se răcească înainte de a le pune în unitate. Acest lucru va ajuta la menținerea temperaturii interne a unității.
- Pentru a preveni ieșirea aerului rece din unitate, încercați să limitați numărul de ori când deschideți ușa. Vă recomandăm să deschideți ușa doar când trebuie să introduceți sau să scoateți mâncare.

## 5.13. SFATURI PRIVIND ECONOMISIREA CONSUMULUI DE ENERGIE

- Aparatul trebuie amplasat în cea mai răcoroasă zonă a încăperii, departe de aparatele care produc căldură sau de conductele de încălzire și ferit de lumina directă a soarelui.
- Lăsați alimentele fierbinți să se răcească la temperatura camerei înainte de a le introduce în aparat. Supraîncărcarea aparatului forțează compresorul să funcționeze mai mult. Alimentele care s-au răcit prea încet pot pierde calitatea sau se pot deteriora.
- Asigurați-vă că împachetați alimentele în mod corespunzător și ștergeți

recipientele înainte de a le introduce în aparat. Acest lucru reduce acumularea de îngheț în interiorul aparatului.

- Coșul de depozitare a aparatului nu trebuie acoperit cu folie de aluminiu, hârtie de ceară sau prosoape de hârtie. Căptușelile interferează cu circulația aerului rece, făcând aparatul mai puțin eficient.
- Organizați și etichetați alimentele pentru a reduce astfel numărul de deschideri ale ușii și timpul de căutare a alimentelor. Scoateți cât mai multe articole necesare simultan și închideți ușa cât mai curând posibil.
- Combinația de sertare, coșuri și rafturi prezentate în imaginea cu descrierea dispozitivului este optimă pentru economii eficiente de energie. Schimbarea combinației stabilite ar putea modifica eficiența.
- Urmăriți să nu deschideți ușa prea des, mai ales atunci când aerul din ambianță este umed și cald. După ce deschideți ușa, închideți-o cât mai curând posibil.
- Verificați din când în când dacă frigiderul este suficient de bine ventilat (circulație adecvată a aerului în spatele aparatului).
- În condiții normale de temperatură, vă rugăm să setați termostatul la valoarea din mijloc.
- Înainte de a încărca aparatul cu pachete de alimente proaspete, asigurați-vă că acestea s-au răcit până la temperatura ambiantă.
- Stratul de gheață creat datorită congelării crește consumul de energie, de aceea trebuie să curățați aparatul dacă stratul de gheață depășește o grosime de 3 până la 5 mm.

## 6. ÎNTREȚINERE ȘI CURĂȚARE

### 6.1. CURĂȚAREA GENERALĂ

**!** Vă rugăm să deconectați frigiderul pentru dezghețare și curățare.

- Pentru a îmbunătăți efectul de răcire și a economisi energia, praful din spatele frigiderului și de la bază trebuie curățat în timp util.
- Verificați în mod regulat garnitura ușii pentru a vă asigura că nu există resturi. Curățați garnitura ușii cu o cârpă moale umezită cu apă cu săpun sau detergent diluat.
- Pentru a evita mirosul neplăcut, interiorul frigiderului trebuie curățat regulat.
- Vă rugăm să opriți alimentarea înainte de a curăța interiorul, îndepărtați toate alimentele, băuturile, rafturile, sertarele etc.
- Utilizați o cârpă moale sau un burete pentru a curăța interiorul frigiderului, adăugați două linguri de bicarbonat de sodiu la un litru de apă caldă. Apoi clătiți cu apă și ștergeți. După curățare, deschideți ușa și lăsați-o să se usuce natural înainte de a porni funcționarea.
- Pentru zonele greu de curățat din frigider (cum ar fi pliurile înguste, adâncituri sau colțuri), se recomandă să le ștergeți în mod regulat cu o cârpă moale, o perie moale etc. și, atunci când este necesar, combinate cu unele unelte auxiliare (cum ar fi bețișoare subțiri) pentru a asigura lipsa de contaminanți sau acumulare bacteriană în aceste zone.
- Nu folosiți săpun, detergent, praf abraziv, spray de curățare etc., deoarece acestea pot provoca mirosuri în interiorul frigiderului sau pot contamina alimentele.
- Curățați cadrul sticlei, rafturile și sertarele cu o cârpă moale umezită cu apă cu săpun sau detergent diluat. Uscați cu o cârpă moale sau lăsați să se usuce în mod natural.
- Ștergeți suprafața exterioară a frigiderului cu o cârpă moale umezită în apă cu săpun, detergent diluat etc., apoi ștergeți.
- Nu utilizați perii dure, bile de oțel curate, perii de sârmă, abrazive (cum ar fi paste de dinți), solvenți organici (cum ar fi alcool, acetonă, ulei de banane etc.), apă clocotită, articole acide sau alcaline, care pot deteriora suprafața de răcire și

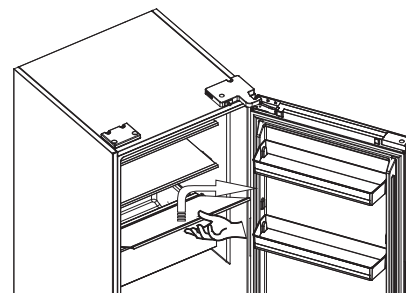


interiorul. Apa clocotită și solvenții organici, cum ar fi benzenul, pot deforma sau deteriora piesele din plastic.

- Nu clătiți direct cu apă sau alte lichide în timpul curățării pentru a evita scurtcircuiturile sau pentru a afecta izolația electrică după imersare.

## 6.2. CURĂȚAREA RAFTULUI DE STICLĂ

- Scoateți sertarul de pe raftul de sticlă;
- Ridicați partea din față a raftului de sticlă (aproximativ 60°), apoi trageți-l afară;
- Scoateți raftul de sticlă și curățați după cum este necesar;
- Pentru a instala raftul de sticlă înapoi, utilizați doar mișcarea inversă a celei de îndepărtare.



## 6.3. DEZGHEȚAREA

- Acest frigider funcționează după principiul răcirii cu aer și de aceea dispune de funcția de dezghețare automată. Gheața formată din cauza schimbării sezonului sau a temperaturii poate fi de asemenea îndepărtată manual prin deconectarea aparatului de la sursa de alimentare sau prin ștergerea cu un prosop uscat.

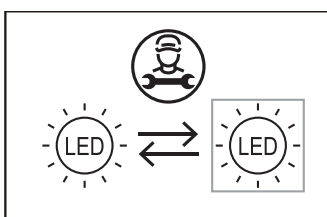
RO

## 6.4. SCOATEREA DIN FUNCȚIUNE

- Pană de curent: În caz de pană de curent, chiar dacă este vara, alimentele din interiorul aparatului pot fi păstrate câteva ore; în timpul căderii de curent, timpul de deschidere a ușii va fi redus și nu se vor mai introduce alimente proaspete în aparat.
- Neutilizarea pe o perioadă lungă de timp: Aparatul trebuie scos din priză și apoi curățat; apoi ușile sunt lăsate deschise pentru a preveni mirosul.
- Schimbarea locului: Înainte de a muta frigiderul, scoateți toate obiectele din interior, fixați pereții despărțitori de sticlă, suportul pentru legume, sertarele camerei de congelare etc. cu bandă adezivă și strângeți picioarele de nivelare; închideți ușile și fixați-le cu bandă adezivă. În timpul mutării, aparatul nu trebuie să fie așezat cu capul în jos sau orizontal și nici să fie vibrat; înclinarea în timpul mișcării nu trebuie să fie mai mare de 45°. Nu apucați de ușă sau balama atunci când mutați această unitate.

⚠ Aparatul va funcționa continuu odată ce este pornit. În general, funcționarea aparatului nu ar trebui întreruptă, altfel poate fi afectată durata de viață.

## 6.5. SCHIMBAREA LUMINII



- Înlocuirea lămpilor cu LED-uri sau lucrările de întreținere a acestora trebuie să fie efectuate de producător, de agentul său de service sau de o persoană cu calificare similară.

Sursa de lumină din acest produs trebuie înlocuită numai de ingineri calificați.

	<p>1. Deconectați ștecherul înainte de scoatere.</p>		<p>2. Scoateți abajurul cu o șurubelniță.</p>
	<p>3. Îndepărtați panoul lămpii.</p>		<p>4. Scoateți borna de conectare.</p>



## 7. REMEDIEREA DEFECȚIUNILOR

Puteți încerca să rezolvați singur următoarele probleme simple. Dacă nu pot fi rezolvate, vă rugăm să contactați departamentul post-vânzare.

Problemă	Soluție recomandată
Operație eșuată	Verificați dacă aparatul este conectat la curent sau dacă ștecherul este bine în contact Verificați dacă tensiunea nu este prea scăzută Verificați dacă există o întrerupere a curentului sau s-au declanșat circuite parțiale
Miros	Alimentele mirositoare trebuie să fie ferm împachetate Verificați dacă există mâncare deteriorată Interiorul frigiderului trebuie curățat
Funcționare îndelungată a compresorului	Este normal ca frigiderul să funcționeze mai mult timp vara când temperatura ambientală este mai ridicată Nu puneți prea multe alimente în aparat în același timp Nu puneți alimentele în frigider decât după ce s-au răcit. Ușile sunt deschise prea des
Lumina nu se aprinde	Verificați dacă frigiderul este conectat la sursa de alimentare și dacă lumina nu este deteriorată Dacă este deteriorat, solicitați înlocuirea becului de către un specialist
Ușile nu pot fi închise corect	Ușa este blocată de pachetele cu alimente Este pusă prea multă mâncare în frigider Frigiderul este înclinat
Zgomot puternic	Verificați dacă podeaua este nivelată și dacă frigiderul este stabil poziționat Verificați dacă accesoriile sunt amplasate în locuri adecvate
Garnitura ușii nu etanșează bine	Îndepărtați corpurile străine de pe garnitura ușii Încălziți garnitura ușii și apoi răciți-o pentru restaurare (sau suflați-o cu un uscător electric sau folosiți un prosop fierbinte pentru încălzire)
Vasul de apă se revarsă	Există prea multă mâncare în camera frigiderului sau alimentele depozitate conțin prea multă apă, ceea ce duce la o dezghețare puternică Ușile nu sunt închise corespunzător, rezultând la îngheț din cauza intrării aerului și creșterea apei din cauza dezghețului
Carcasă foarte caldă	Disiparea căldurii condensatorului încorporat prin carcasă, ceea ce este normal Asigurați o ventilație suficientă pentru a facilita disiparea căldurii atunci când carcasa devine fierbinte din cauza temperaturii ambientale ridicate, a depozitării prea multor alimente sau a opririi compresorului
Condensare de apă pe suprafață	Atunci când umiditatea ambientală este prea mare, condensul pe suprafața exterioară și pe garniturile ușilor frigiderului este normal. Doar ștergeți condensul cu un prosop curat
Zgomot anormal	Buzz: Compresorul poate produce zgomote în timpul funcționării, iar zgomotele sunt puternice în special la pornire sau oprire. Acest lucru este normal Scârțâit: Refrigerantul care curge în interiorul aparatului poate produce scârțâit, ceea ce este normal

RO

**Tabelul 1 Clasele climatice**

Clasa	Simbol	Interval de temperatură ambiantă (°C)
Temperat extins	SN	de la + 10 la + 32
Temperat	NU	de la + 16 la + 32
Subtropical	ST	de la + 16 la + 38
Tropical	T	de la + 16 la + 43

Temperată extinsă: acest aparat frigorific este destinat utilizării la temperaturi ambiante cuprinse între 10 °C și 32 °C;

Climat temperat: acest aparat frigorific este destinat utilizării la temperaturi ambiante cuprinse între 16 °C și 32 °C;

Subtropicală: acest aparat frigorific este destinat utilizării la temperaturi ambiante cuprinse între 16 °C și 38 °C;

Tropicală: acest aparat frigorific este destinat utilizării la temperaturi ambiante cuprinse între 16 °C și 43 °C;

RO

Piese comandate din tabelul următor pot fi achiziționate de la canal \_\_\_\_\_:

Piesa comandată	Furnizată de	Timp minim necesar pentru furnizare
termostate	Personal profesionist în întreținere	La cel puțin 7 ani de la lansarea pe piață a ultimului model
senzori de temperatură	Personal profesionist în întreținere	La cel puțin 7 ani de la lansarea pe piață a ultimului model
plăci de circuite imprimare	Personal profesionist în întreținere	La cel puțin 7 ani de la lansarea pe piață a ultimului model
surse de lumină	Personal profesionist în întreținere	La cel puțin 7 ani de la lansarea pe piață a ultimului model
mânerele ușilor	Reparatori profesioniști și utilizatori finali	La cel puțin 7 ani de la lansarea pe piață a ultimului model
balamale de ușă	Reparatori profesioniști și utilizatori finali	La cel puțin 7 ani de la lansarea pe piață a ultimului model
tăvi	Reparatori profesioniști și utilizatori finali	La cel puțin 7 ani de la lansarea pe piață a ultimului model
coșuri	Reparatori profesioniști și utilizatori finali	La cel puțin 7 ani de la lansarea pe piață a ultimului model
garniturile usii	Reparatori profesioniști și utilizatori finali	La cel puțin 10 ani de la lansarea pe piață a ultimului model

Cea mai scurtă perioadă de furnizare a pieselor de schimb post-vânzare este de 15 zile lucrătoare.

Informațiile despre model din baza de date cu produse, precum și identificatorul de model, pot fi obținute scanând link-ul web printr-un cod QR pe eticheta de eficiență energetică a produsului.

Dragă client,

1. Dacă doriți să returnați sau să înlocuiți produsul, vă rugăm să contactați magazinul de unde cumpărați.  
(Nu uitați să luați cu dvs. factura de achiziție)
2. Dacă produsul dumneavoastră funcționează defectuos și necesită reparații, vă rugăm să contactați furnizorul de servicii post-vânzare.

### Fișă tehnică a produsului conform (EU) 2019/2019

Fișa tehnică a produsului pentru aparatul dvs. poate fi găsită online, dacă doriți să descărcați o copie.

Accesați <https://eprel.ec.europa.eu/> și introduceți codul de identificare al modelului aparatului dvs. pentru a descărca fișa tehnică.

Identificatorul de model pentru aparatul dvs. poate fi găsit pe plăcuța cu date tehnice din spatele/interiorul aparatului.

### Ambalarea alimentelor congelate

Pentru a preveni pierderea aromelor din alimente sau uscarea acestora, amplasați alimentele în ambalaje etanșe.

1. Amplasați alimentele în ambalaj.
2. Eliminați aerul.
3. Sigilați ambalajul.
4. Etichetați pachetul menționând conținutul și data congelării.

Ambalaj corespunzător:

Folie de plastic, folie tubulară fabricată din polietilenă, folie de aluminiu.

Aceste produse sunt disponibile în magazinele specializate.

### Duratele de depozitare recomandate pentru alimente congelate în compartimentul congelator

Aceste durate depind de tipul de aliment. Alimentele congelate pot fi conservate între 1 și 12 luni (la minim -18°C).

Aliment	Durată de depozitare
Costiță, caserole, lapte	1 lună
Pâine, înghețată, cârnați, plăcinte, crustacee preparate, pește gras	2 luni
Pește macru, crustacee, pizza, pateuri și brioșe	3 luni
Șuncă, prăjituri, biscuiți, cotlete de vită și de miel, bucăți de carne de pui	4 luni
Unt, legume (opărite), ouă întregi și gălbenușuri de ou, carne gătită de rac, carne tocată (crudă), carne de porc (crudă)	6 luni
Fructe (uscate sau în sirop), albușuri de ou, carne de vită (crudă), pui întreg, carne de miel (crudă), prăjituri cu fructe	12 luni

#### Întotdeauna rețineți:

- Când congelați alimentele proaspete marcate cu „a se consuma înainte/bun până la data de/ bun înainte de/“, trebuie să le congelați înainte de expirarea acestui termen.
- Asigurați-vă că alimentele nu au fost congelate în prealabil. Alimentele congelate și complet decongelate nu mai trebuie recongelate.
- După decongelare, alimentele trebuie consumate rapid.

#### Prepararea cuburilor de gheață

Umpleți 3/4 din tava de cuburi de gheață cu apă potabilă și amplasați în sertarul congelator.

Dacă tava de cuburi de gheață nu se dezlipește de sertarul congelatorului, desprindeți-o folosind numai o sculă contondentă.

Pentru a desprinde cuburile de gheață, răsușiți ușor tava de cuburi de gheață sau țineți-o pentru un timp scurt sub jet de apă.

#### Alarma de ușa deschisă

dacă ușa frigiderului este lăsată deschisă timp de aproximativ 120 de secunde, frigiderul va emite o alarmă.

Pentru a opri alarma, puteți închide ușa sau să apăsați orice buton.

#### Zgomote în timpul funcționării

Zgomote normale

- Motoarele sunt în funcțiune. Prin conducte trece agent frigorific.

#### Deplasarea frigiderului cu congelator

- Scoateți din priză frigiderul cu congelator.

#### Depozitarea alimentelor și a băuturilor

Zonă	Setări de temperatură și pentru alimente recomandate
A	<b>Compartiment frigider (4°C)</b> - Stocarea alimentelor pentru consum zilnic, delicatose, iaurt, sosuri, murături, deserturi - Stocarea cărnii, peștelui, cărnaților, pastelor proaspete umplute, alimentelor gătitе, a resturilor alimentare
B	<b>Raft de ușa (4°C)</b> Stocarea băuturilor, a laptelui, iaurtului, ouălor și a untului.
C	<b>Compartiment pentru fructe și legume (4°C)</b>
D	<b>Compartiment refrigerent suplimentar (0°C - 6°C)</b> Depozitarea peștelui crud, a cărnii crude ce urmează să fie gătită.
	<b>Congelator (-18°C)</b> Alimente pentru depozitare pe termen lung - Sertar superior: Depozitarea alimentelor congelate și a înghețatei. - Sertare de mijloc: depozitarea cărnii crude, cărnii de pasăre și pește. - Sertare inferioare: depozitarea legumelor congelate, chipsurilor

## 8. GARANȚII

### Garanții și limite de responsabilitate

Produsele sunt garantate pentru o perioadă de 36 de luni de la data achiziției sau de la data livrării la domiciliul clientului. În funcție de fiecare țară în parte, această garanție acoperă între 24 până la 36 de luni de garanție legală de conformitate.

Pentru țările care au doar o garanție legală de conformitate de 24 de luni, la expirarea primei garanții și în plus față de aceasta intră în vigoare o garanție comercială de 12 luni.

### Modalități de punere în aplicare a garanției

#### Pentru garanția juridică a conformității

Vă invităm să vă adresați distribuitorului dvs. pentru mai multe informații și/sau să consultați condițiile generale de vânzare (CGV) ale acestuia.

#### Pentru garanția comercială

Vă invităm să returnați produsul la recepția magazinului de achiziție, împreună cu dovada de cumpărare (cum ar fi chitanța), cu produsul și accesoriile sale furnizate, cu ambalajul original, pentru toate țările altele decât Franța. Este important să fie disponibile informații precum data la care ați cumpărat produsul, modelul și numărul de serie sau IMEI (aceste informații apar de obicei pe produs, pe ambalaj sau pe dovada cumpărării). În mod implicit, trebuie să aduceți produsul în magazin împreună cu accesoriile necesare funcționării sale corecte (alimentare, adaptor, etc.). În cazul în care reclamația este acoperită de garanție, serviciul post-vânzare va putea, în limitele legislației locale:

- Să repare sau să înlocuiască piesele defecte.
- Să înlocuiască produsul returnat cu un produs care are cel puțin aceleași funcții și care este echivalent în termeni de performanță.
- Să ramburseze valoarea produsului la prețul de achiziționare menționat pe documentul prezentat drept dovadă a cumpărării.

Produsele reparate sau înlocuite pot să includă componente și echipamente noi și/sau recondiționate.

### Excluderea garanției comerciale:

- Daunele sau problemele provocate de o utilizare incorectă, un accident, o avariere sau o conectare la o sursă electrică de intensitate sau de tensiune necorespunzătoare.
- Utilizarea sau depozitarea neconforme cu buna conservare a dispozitivului (oxidare, coroziune), utilizarea energiei, utilizarea sau instalarea neconformă cu instrucțiunile producătorului sau neglijența sau utilizarea de dispozitive periferice, software sau consumabile neadecvate.
- Utilizarea profesională sau colectivă, industrială sau comercială a produsului.
- Produsele modificate, cele al căror sigiliu de garanție sau număr de serie au fost deteriorate, alterate, distruse sau oxidate.
- Bateriile înlocuibile și accesoriile sunt garantate pentru o perioadă de 6 luni.
- Avarierea bateriei survenită din cauza unei încărcări prea lungi sau din cauza nerespectării instrucțiunilor de securitate explicate în broșură.
- Daunele estetice, care includ zgârieturi, umflături sau orice alt element de vandalism.
- Daunele cauzate de orice intervenție efectuată de o persoană neautorizată.
- Defecțiunile cauzate de uzura normală sau de învechirea normală a produsului: garnituri, filtre, accesorii, perie și furtun pentru aspirator, lămpi, lămpi pentru retroproector, lame pentru mașini de spălat, etc.
- Actualizările programului informatic, cauzate de modificări ale parametrilor de rețea.
- Deteriorări cauzate de elemente din afara aparatului (corpuri străine, insecte etc.).
- Conținutul dispozitivelor - congelator, mașină de spălat...- (produse alimentare, îmbrăcăminte,...)
- Avarierea produsului cauzată de utilizarea unor alte programe informatice pentru a modifica, a schimba, a adapta sau a modifica programul informatic existent.
- Avarierea produsului cauzată de utilizarea acestuia fără accesoriile furnizate împreună cu produsul sau omologate de către producător.
- Piese pentru uzura normală sau deteriorări cauzate de utilizare: anvelope, camere de aer, frâne,...

Clientul este responsabil pentru salvarea constantă a datelor conținute pe hard disk sau în memoria internă a dispozitivului său înainte de orice depunere.

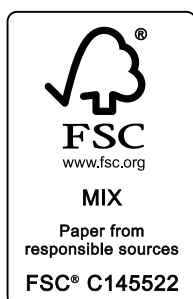
Auchan nu poate fi considerat responsabil pentru pierderea sau distrugerea datelor stocate sau pentru deteriorarea software-ului care rezultă în special din restaurare sau defecțiune.

De asemenea, Auchan nu este obligat să verifice dacă utilizatorul a scos cartela SIM/SD din aparat în cazul produselor returnate.

Dispozițiile de mai sus nu reduc sau elimină în niciun fel: garanția legală menționată mai sus, precum și garanția comercială a producătorului, dacă aceasta există (a se vedea formularul de garanție).







600129638

600129812

HD-500RWEN(CE-BCD385WX-CT)



**Auchan**

SAS OIA, 200, rue de la Recherche, Le Colibri  
BP 169, 59650 Villeneuve d'Ascq, France  
[www.auchan-retail.com/contact](http://www.auchan-retail.com/contact)

Made in China