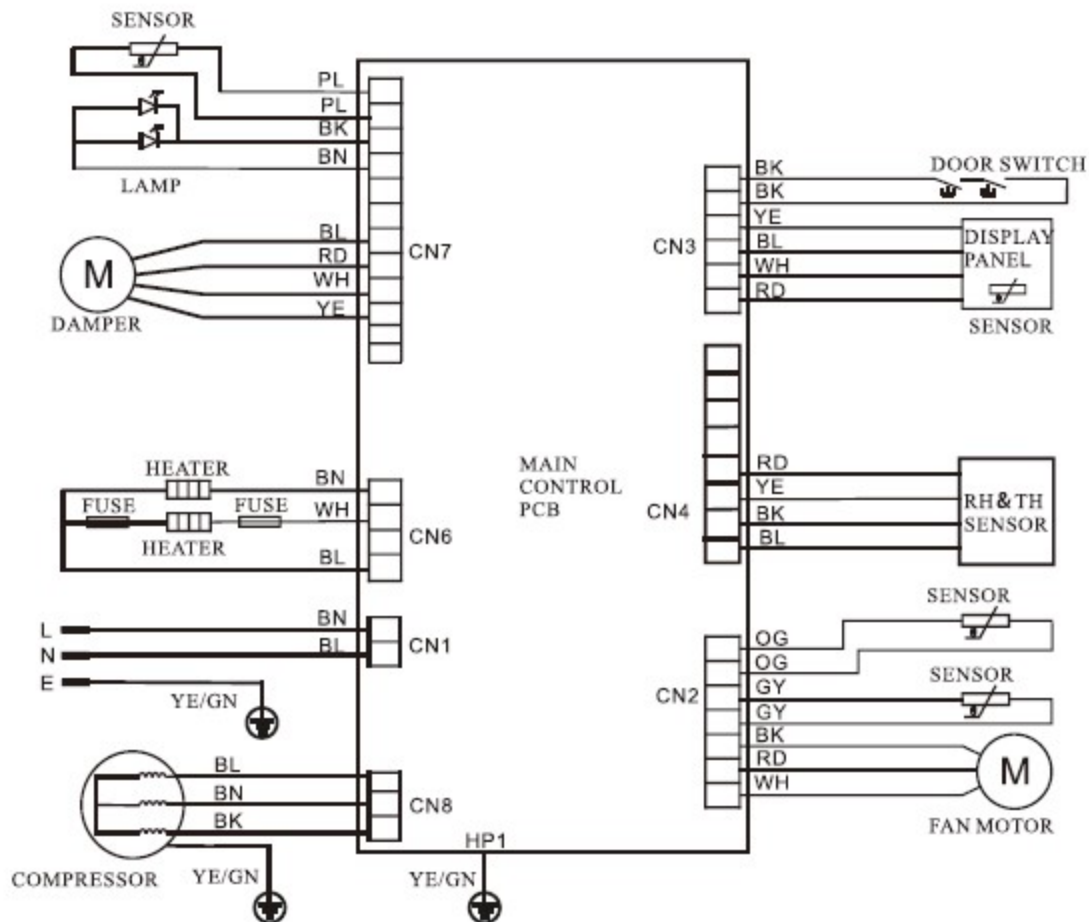


# Diagram of Circuit Principles



The RH & TH are optional according to different refrigerator model