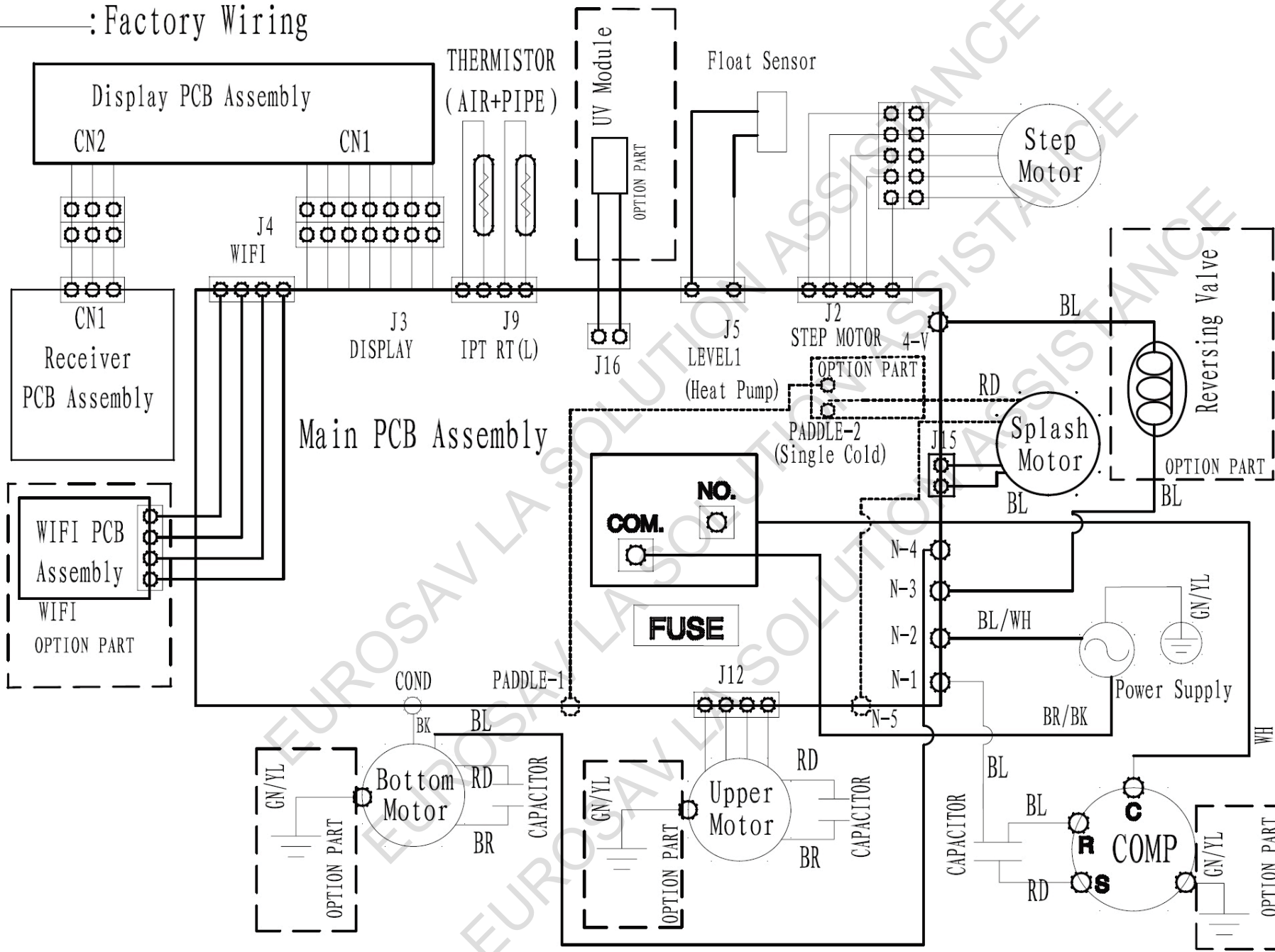


CIRCUIT DIAGRAM

811313612

: Factory Wiring



80