

# Qilive



## Flexible vacuum cleaner Q.5472

- FR Aspirateur balai flexible
- ES Aspiradora flexible
- PT Aspirador flexível
- PL Odkurzacz elastyczny
- HU Flexibilis porszívó
- RO Aspirator flexibil
- RU Гибкий пылесос
- UA Гнучкий пилосос

**EN****User manual**

P. 4

**FR****Manuel d'utilisation**

P. 13

**ES****Manual de instrucciones**

P. 23

**PT****Manual de utilização**

P. 33

**PL****Instrukcja obsługi**

S. 43

**HU****Használati utasítás**

53. o.

**RO****Manual de instrucțiuni**

P. 63

**RU****Руководство пользователя**

С. 72

**UA****Довідник користувача**

С. 83



EN

FR

ES

PT

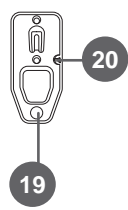
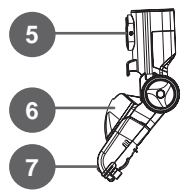
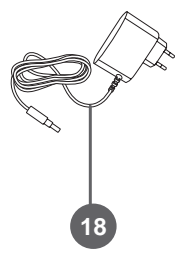
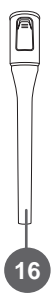
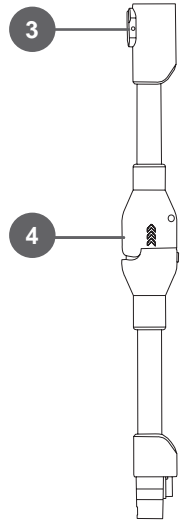
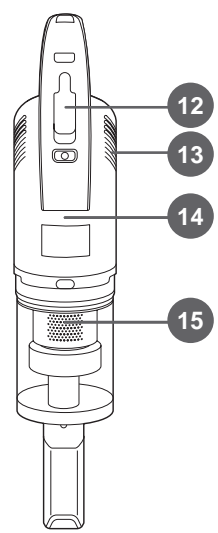
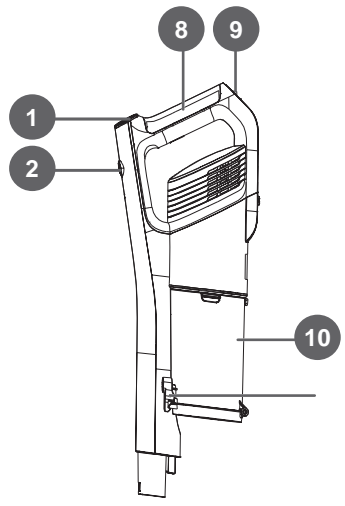
PL

HU

RO

RU

UA



16

17

18

19

21




# CONTENT OVERVIEW

1. SAFETY INSTRUCTIONS	P. 4
2. TECHNICAL SPECIFICATIONS	P. 8
3. PRODUCT DESCRIPTION	P. 9
4. INSTALLATION	P. 9
5. USING THE PRODUCT	P. 10
6. MAINTENANCE AND CLEANING	P. 10

## 1. SAFETY INSTRUCTIONS


Before using this product, carefully read these instructions and keep the user manual for future reference.

1. This appliance can be used by children aged from 8 years and above and persons with reduced physical, sensory or mental capabilities or lack of experience and knowledge if they have been given supervision or instruction concerning use of the appliance in a safe way and understand the hazards involved.
2. Children shall not play with the appliance.
3. Cleaning and user maintenance shall not be made by children without supervision.
4. If the supply cord is damaged, it must be replaced by the manufacturer, its service agent or similarly qualified persons in order to avoid a hazard.
5. The appliance is only to be used with the power supply unit provided with the appliance.
6.  **WARNING:** For the purposes of recharging the battery, only use the detachable supply unit (MC2805B-V) provided with this appliance.
7. **WARNING:** This battery charger can only charge this particular vacuum cleaner. DO NOT use this battery charger to charge other products!
8. This appliance contains batteries that are only replaceable by skilled persons.
9. The plug must be removed from the socket-outlet before cleaning or maintaining the appliance.
10. It is necessary to take precautions during user maintenance. Refer to the «**MAINTENANCE AND CLEANING**» paragraph for maintenance and cleaning the appliance.
11. **CAUTION:** For domestic, indoor use only! Do not use the appliance in outdoor environments.

12. Switch off the appliance before changing accessories.
13. Do not use the appliance if it has been dropped, if there are any visible signs of damage or if the rechargeable battery is leaking.
14. Keep hair, loose clothing, fingers, and all parts of the body away from openings.
15. **WARNING:** Never use the appliance without the filter. Optimum dust collection will only be achieved with clean the filter and an empty dust cup.
16. Do not use any accessories other than those attached by the manufacturer, to avoid damaging the appliance and/or causing injuries.
17. Refer to the **5.1. CHARGING** for information regarding charging.
18. Refer to the **2. TECHNICAL SPECIFICATIONS** section for the type reference of the batteries.
19. Always ensure that hands are dry before handling the plug or switching on the appliance.
20. Never handle the hand-stick vacuum cleaner and its charging dock with damp or wet hands.
21. Do not use a damaged supply cord, plug, or a loose power outlet.
22. Fully unwind the supply cord before use. Do not charge the appliance while the supply cord is coiled as this may cause overheating. Do not bend, stretch or pull the supply cord in order to avoid electric shock.
23. Do not route the supply cord over sharp edges.
24. Do not let the supply cord hang over the edge, touch hot surfaces, or become knotted. Do not place a heavy object on the supply cord that could break it.
25. Never pull the power plug out of sockets using the supply cord, or pull on the supply cord to manoeuvre the appliance.
26. Before plugging into the socket-outlet, ensure there is not any dust or water on the power plug.
27. Connect the supply cord's plug to an easily accessible socket, in order to quickly disconnect the appliance from the mains supply in an emergency.
28. For safety reasons, it is recommended to plug the appliance directly into its own electrical outlet on a dedicated circuit separate from other appliances. If the electrical circuit is overloaded with other appliances, your appliance may not function properly. Using in conjunction with a power strip or extension cord is not recommended.
29. Do not leave the supply cord lying exposed on the floor.
30. Always position the supply cord so that nobody can trip over or become entangled in it.
31. Do not immerse the appliance in water. Do not use near water.
32. Do not use the appliance if it has fallen into water or any other liquid. Have it checked by a qualified repair technician.

33. Do not expose to rain, wet and damp conditions.
34. Do not place the appliance in direct sunlight or enclosed space where ventilation is restricted, or where there are other heat sources.
35. Do not operate the appliance if it is visibly damaged.
36. It is recommended to regularly inspect the appliance.
37. Remove and safely discard any packaging material and promotional labels before using the appliance for the first time. Do not remove rating labels and safety information!
38. Store and operate this vacuum cleaner in room temperature environments only. It is forbidden to use the product at extremely low (below 0 °C) or high (above 40 °C) temperatures.
39. Never use to collect anything that is smoking or burning, such as cigarettes, hot ashes, or matches.
40. Never use to collect flammable or combustible liquids, such as methylated spirits, petrol, acetone, etc., nor use on the area where they may be present.
41. Never use to collect sharp and hard objects, such as glass pieces, metalling shavings, coins, nails, screws, etc.
42. Never use to collect corrosive or toxic materials, such as mineral acids, alkali solutions, oxidizer, drain cleaner, chlorine bleach, ammonia, etc.
43. Never use in an enclosed space filled with vapours given off by oil-based paint, moth proofing substances, paint thinner, flammable dust, or other toxic or explosive vapours.
44. Do not use the appliance to vacuum up any water, liquids or wet dirt.
45. Avoid using the vacuum cleaner in locations with desk lamps and candles as well as locations with gasoline, distilled alcohol, thinner, ashtrays with burning cigarettes, etc.
46. Never short-circuit the charge pins with metal objects such as screwdrivers, etc.
47. **CAUTION:** Do not open the housing under any circumstances. Never insert fingers or any foreign objects in any opening of the appliance and do not obstruct the air vents. The ventilation slots shall be kept clear for the appliance to work properly and prevent dangerous overheating. Do not cover the appliance.
48. Before each use, ensure the openings are free of dust, hair, lint and anything that can reduce the flow.
49. Repairs must only be performed by authorized technicians. Users or other unauthorized persons shall not attempt to repair or disassemble the product. Improper repairs can lead to considerable hazards.
50. The supply voltage shall be the same as that indicated in the technical specifications and the appliance rating plate.
51. Check the vacuum cleaner is intact. **DO NOT** use if broken.
52. If the pins of the plug parts are damaged, the plug-in power supply shall be scrapped.

## 1.1. BATTERY SAFETY INSTRUCTIONS

53. **WARNINGS:** The hand-stick vacuum cleaner contains non-replaceable batteries. Used batteries must not be disposed of in the household rubbish. The batteries must be removed from the appliance before it is scrapped. To remove the batteries, take the appliance to a designated disposal/collection site. For your safety, do not attempt to remove the batteries yourself. If the batteries are not properly removed, they may lead to damage to the batteries and device, cause personal injury, and/or result in the device being unsafe.
54. Leaving a battery in an extremely high temperature surrounding environment that can result in an explosion or the leakage of flammable liquid or gas.
55. A battery subjected to the extremely low air pressure that may result in an explosion or the leakage of flammable liquid or gas.
56. Should battery fluid leak and contact your eyes, skin or clothing immediately rinse with plenty of clean water. Immediately contact your physician in case of eye or skin contact.
57. The batteries are a sealed unit and under normal circumstances poses no safety concerns. In the unlikely event that liquid leaks from the battery do not touch the liquid and observe the following precautions:
- **Skin contact:** can cause irritation. Wash with soap and water.
  - **Inhalation:** can cause respiratory irritation. Expose to fresh air and seek medical advice.
  - **Eye contact:** can cause irritation. Immediately flush eyes thoroughly with water for at least 15 minutes. Seek medical attention.
  - **Disposal:** wear gloves to handle the battery and dispose of it immediately, following local ordinances or regulations.
58. **WARNINGS:** During charging, the product must be placed in a well ventilated area.
59.  with European Directive 2012/19/EU relating to “used electrical and electronic equipment”. This marking means that this equipment, at the end of its useful life, cannot be disposed of with other household waste. The user is required to deliver it to operators who collect used electrical and electronic equipment. Collection operators, including local collection points, shops and local authorities, create an appropriate system for collecting equipment. Appropriate collection of used electrical and electronic equipment helps avoid harmful impacts on human health and the environment, resulting from the presence of hazardous components, as well as from improper storage and treatment of this equipment.

60. Batteries must not be disposed of with normal household waste. Recycle them at the collection points provided for this purpose. Contact the local authorities or your dealer for recycling advice. Correct disposal of old batteries helps protect the environment and human health.



## 2. TECHNICAL SPECIFICATIONS

### 2.1. MAIN UNIT

Rechargeable battery	Li-ion 21.6 V <sub>===</sub> , 2000 mAh (C6) 61NR19/22
Rated voltage	21.6 V <sub>===</sub>
Rated power	150 W
Rated voltage (motorized cleaning head)	25.2 V <sub>===</sub>
Rated power (motorized cleaning head)	10 W
Battery cell	ISR18650-2000; 3.7V, 2000 mAh
Battery pack	BP21620H; 21.6V, 2.0Ah, 43.2Wh
Low suction power working time	Approximately 15 minutes
High suction power working time	Approximately 40 minutes
Charging time	4-6 hours
Dust cup capacity	0.6 L
Sound power level	80 dB
Suction power	6 kPa, 30 W

### 2.2. AC ADAPTER

Manufacturer's name or trade mark, commercial registration number and address	Jiangsu Midea Cleaning Appliances Co., Ltd No.39 Caohu Avenue, Xiangcheng Economic Development Zone, Suzhou, Jiangsu	
Model identifier	MC2805B-V	-
Input voltage	100-240	V~
Input AC frequency	50-60	Hz
Output voltage	25.0, 29.0	V <sub>===</sub>
Output current	0.5	A
Output power	12.5, 14.5	W
Average active efficiency	86.9	%
Efficiency at low load (10 %)	73.1	%
No-load power consumption	0.08	W



### 3. PRODUCT DESCRIPTION

- |                                |                               |
|--------------------------------|-------------------------------|
| 1. Power button                | 12. Indicator lights          |
| 2. Low/High suction button     | 13. Ventilation openings      |
| 3. Tube release button         | 14. Main body                 |
| 4. Foldable release            | 15. Filter                    |
| 5. Floor nozzle release button | 16. Crevice nozzle            |
| 6. Floor nozzle                | 17. 2-in-1 round brush nozzle |
| 7. LED light                   | 18. Adapter                   |
| 8. Handle                      | 19. Wall mounting bracket     |
| 9. Charging slot               | 20. Cord holder               |
| 10. Dust cup                   | 21. Motorised pet tool        |
| 11. Dust cup release button    |                               |

### 4. INSTALLATION

#### 4.1. MOUNTING THE WALL MOUNTING BRACKET

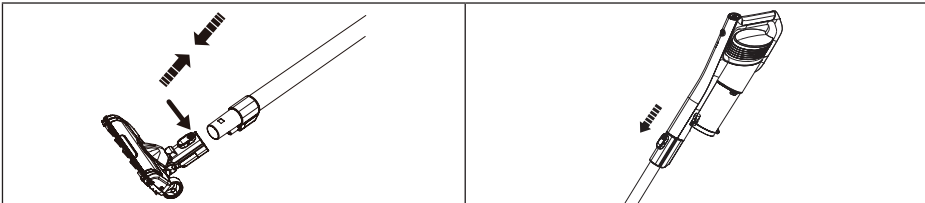
The product is designed to sit in the wall mounting bracket vertically.

1. Select an installation position located in the proximity of the electrical outlet.
2. Fit plastic toggle anchors in the holes (not in set).
3. Fix the wall mounting bracket to the wall and tighten two M4x20 screws (not in set).

**Note:** Do not drill into pipes or main cables beneath the surface during preparation for mounting holes. The fixing points must be capable of supporting the product's total weight.

#### 4.2. ASSEMBLING THE HAND-STICK VACUUM CLEANER

1. Insert the tube into the floor nozzle connector by pressing it in until it clicks securely into place.
2. Insert the main body into the top of the tube by pressing it in until it clicks securely into place.
3. Ensure all connections click securely into place.

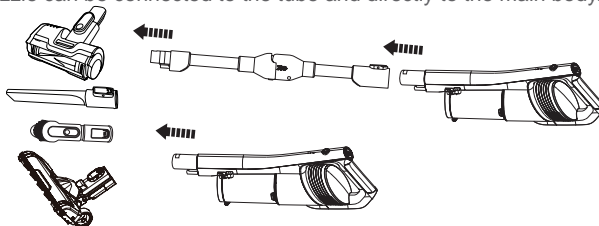


#### 4.3. Fitting and removing accessories

**CAUTION:** Before changing accessories, always switch the vacuum cleaner off first.

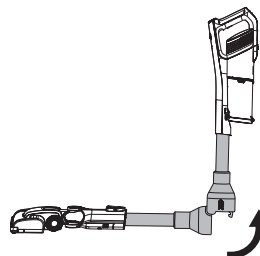
**CAUTION: Risk of injury!** Never hold the crevice nozzle close to the body, or it may stick to the skin. If the nozzle does get stuck, switch off the appliance immediately.

- To use 2-in-1 round brush nozzle, press the release button to unlatch and slide the brush up or down until it locks in place.
- All four accessories: crevice nozzle, motorised pet tool, 2-in-1 round brush nozzle, and floor nozzle can be connected to the tube and directly to the main body.



#### 4.4. FOLDING THE TUBE

To easily access hard-to-reach areas under furniture, pull the release lever up to position the tube to a lower angle.

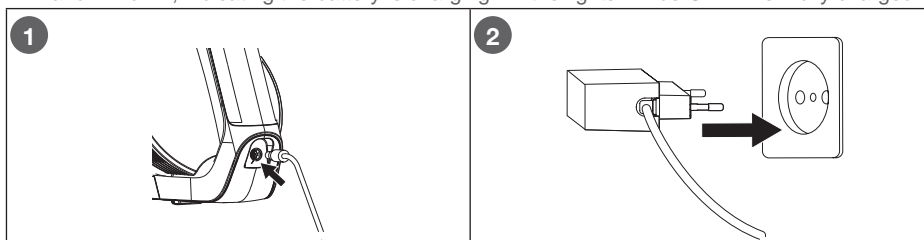


### 5. USING THE PRODUCT

#### 5.1. CHARGING

##### Notes:

- The appliance cannot be used while charging.
  - Charge the appliance when the battery power indicator is blinking.
1. Hang the appliance on its wall mounting bracket. Plug the charger tip into the charging port on the top of the handle.
  2. Plug the charger into a wall socket.
  3. During charging, the indicator light bars on the handle will illuminate in order of charge state and will blink, indicating the battery is charging. All the lights will be OFF when fully charged.

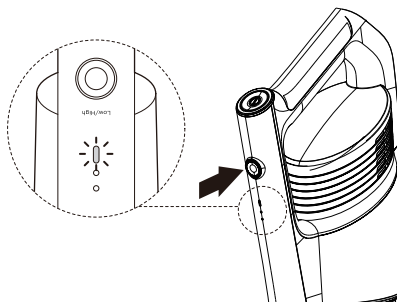


#### 5.2. OPERATING THE VACUUM CLEANER

1. Insert the desired accessory into the tube suction opening or directly to the main body.
2. Press the power button to turn the appliance on.
3. This appliance has low and high suction power. To regulate the suction power, press the Low/High suction button. The LED will be lit white at High speed.

**Note:** After turning on the vacuum cleaner, the default suction power is set to high.

4. After vacuuming is finished, press the power button again to turn the appliance off.
5. Empty and clean the dust cup. Hang the appliance on its wall mounting bracket.



### 6. MAINTENANCE AND CLEANING

**Note:** Always switch off, and disconnect the appliance from the power supply (if charging) before changing accessories, cleaning or maintenance.

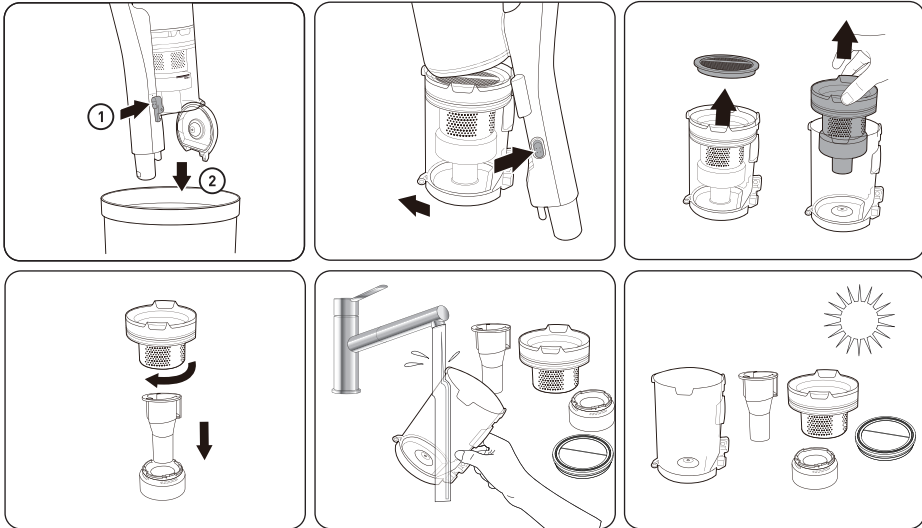
1. Do not submerge the appliance, its supply cord, and adapter in water or other liquids.
2. Avoid corrosive liquids and materials. Do not use any abrasive cleaners, chemicals, glass cleaners, universal cleaners, disinfecting agents or oil-based maintenance agents! Those products may damage the appliance.

## 6.1. CLEANING THE MAIN BODY AND ACCESSORIES

1. Use a soft damp cloth to wipe off any dirt from the main body. Pay attention to not allow water to get inside the appliance. Let it dry completely before use.
2. Wipe the accessories with a soft damp cloth and, if necessary, a little mild detergent. Let them dry completely.

## 6.2. CLEANING THE DUST CONTAINER

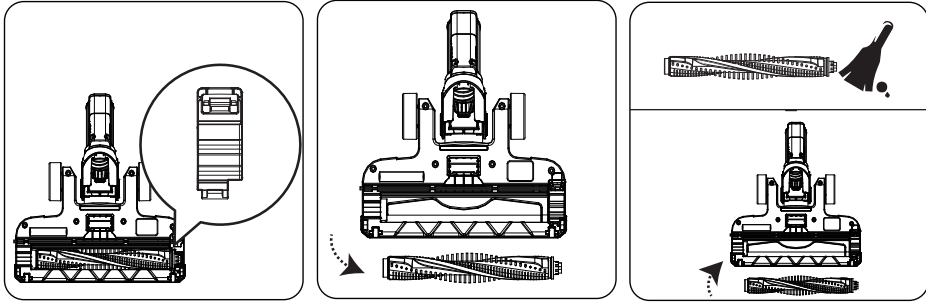
1. Under the bin, unhook the latch, and the lid will swing open. Empty the contents.
2. Gently pull the filter and its protection from the duct container under the dustbin. Empty the contents of the dust cup into a dustbin and clean it with a damp cloth, with a soft brush or rinse with cold water if necessary. Ensure the dust cup is completely dry before replacing it.
3. Remove the filter from the filter protection by turning it anti-clockwise and lifting it upwards. Clean the filter with a dry cloth or a soft brush. Run cold water over the outside of the filter and filter protection until the water runs clear, if necessary. Wash the filter regularly or as required. Lay the filter, and filter protection on its side to dry completely.
4. When completely dry, reinstall the filter protection into the duct container first. Put it in the filter protection and lock it into place by turning it clockwise. Make sure it is fitted properly. Then, fit the filter into the filter protection.
5. Reattach the dust cup in the main body.



## 6.3. MAINTAINING THE FLOOR NOZZLE





**Note:** If you run over a hard or sharp object or notice a noise change while vacuuming, check for blockages or objects caught in the roller brush.

1. Pull down the lever on top of the removable plate and take out the plate. Then take out the roller brush.
2. Clean the roller brush and remove any stubborn dirt. Cut any threads or hairs that have wound themselves around the roller brush with a pair of scissors. Wipe the roller brush compartment with a soft, damp cloth. Let it dry completely.
3. Reinsert the roller brush. To replace the removable plate, insert the bottom of it into the hole, then push the top of it until it clicks into place.



#### 6.4. MAINTAINING THE MOTORISED PET TOOL

**Note:** If you run over a hard or sharp object or notice a noise change while vacuuming, check for blockages or objects caught in the roller brush.

1. To remove the roller brush from the motorised pet tool, slide the locking plate from  to . Gently pull the roller brush out from the side.
2. Clean the roller brush and remove any stubborn dirt. Cut any threads or hairs that have wound themselves around the roller brush with a pair of scissors. Wipe the roller brush compartment with a soft, damp cloth. Let it dry completely.
3. Replace the roller brush into its compartment until it locks securely in place. Slide the locking plate from  to .


# APERÇU DU CONTENU

1. CONSIGNES DE SÉCURITÉ	P. 13
2. CARACTÉRISTIQUES TECHNIQUES	P. 18
3. DESCRIPTION DU PRODUIT	P. 18
4. INSTALLATION	P. 19
5. UTILISATION DE L'APPAREIL	P. 20
6. ENTRETIEN ET NETTOYAGE	P. 20

FR

## 1. CONSIGNES DE SÉCURITÉ

Avant d'utiliser cet accessoire, lisez attentivement ces instructions et conservez le manuel d'utilisation comme référence.

1. Cet appareil peut être utilisé par des enfants âgés de 8 ans et plus ainsi que par des personnes dont les capacités physiques, sensorielles et mentales sont réduites, ou des personnes dénuées d'expérience ou de connaissance, si ceux-ci ont bénéficié d'une surveillance ou d'instructions préalables concernant l'utilisation de l'appareil en toute sécurité et comprennent les dangers encourus.
2. Les enfants ne doivent pas prendre cet accessoire pour un jouet.
3. Le nettoyage et l'entretien usuel par l'utilisateur ne doivent pas être effectués par des enfants sans surveillance.
4. Si le cordon est endommagé, il doit être remplacé par le fabricant, son agent d'entretien ou une personne qualifiée pour éviter tout danger.
5. L'appareil ne doit être utilisé qu'avec le bloc d'alimentation fourni avec celui-ci.
6.  **MISE EN GARDE :** Pour les besoins de la recharge de la batterie, n'utilisez que le bloc d'alimentation amovible (MC2805B-V) fourni avec cet appareil.
7. **MISE EN GARDE :** Ce chargeur de batterie ne peut charger que cet aspirateur en particulier. N'UTILISEZ PAS ce chargeur de batterie pour charger d'autres produits !
8. Cet appareil contient des batteries qui ne peuvent être remplacées que par des personnes qualifiées.
9. La fiche doit être débranchée de la prise électrique avant le nettoyage ou l'entretien de l'appareil.
10. Prenez toutes les précautions nécessaires pendant l'entretien. Reportez-vous au paragraphe « **ENTRETIEN ET NETTOYAGE** » pour l'entretien et le nettoyage de l'appareil.

11. **ATTENTION** : Pour une utilisation domestique, en intérieur seulement ! N'utilisez pas l'appareil à l'extérieur.
12. Éteignez l'appareil avant de changer d'accessoire.
13. N'utilisez pas cet appareil s'il est tombé, s'il présente des signes visibles de dommages ou si la batterie rechargeable fuit.
14. Maintenez les cheveux, vêtements larges, doigts et autres parties du corps éloignés des ouvertures.
15. **MISE EN GARDE** : N'utilisez jamais l'appareil sans le filtre. Pour un dépoussiérage optimal, vous devez nettoyer le filtre et vider le réservoir à poussière.
16. N'utilisez pas d'accessoires autres que ceux montés par le fabricant pour éviter d'endommager l'appareil et/ou de provoquer des blessures.
17. Reportez-vous à la section **5.1. EN CHARGE** pour plus d'informations relatives à la charge.
18. **2. CARACTÉRISTIQUES TECHNIQUES** pour la référence du type de batteries.
19. Veillez toujours à avoir les mains sèches avant de toucher à la fiche ou de mettre en route l'appareil.
20. Ne manipulez jamais l'aspirateur à manche et sa station de charge avec des mains humides ou mouillées.
21. N'utilisez pas de fiche ni de cordon d'alimentation endommagé, ni même une prise électrique desserrée.
22. Déroulez entièrement le cordon d'alimentation avant utilisation. Ne chargez pas l'appareil lorsque le cordon d'alimentation est enroulé, car cela peut causer une surchauffe. Ne pliez pas, n'étirez pas ou ne tirez pas le cordon d'alimentation pour éviter une décharge électrique.
23. Ne dirigez pas le cordon d'alimentation des bords tranchants.
24. Ne laissez pas le cordon d'alimentation pendre sur le bord, toucher des surfaces chaudes ou se nouer. Ne placez pas d'objets lourds sur le cordon d'alimentation, car ils pourraient l'endommager.
25. Ne retirez jamais la fiche d'alimentation des prises à l'aide du cordon d'alimentation ou ne tirez jamais sur celui-ci pour manipuler l'appareil.
26. Avant de brancher l'appareil à une prise de courant, veillez à ce que la fiche d'alimentation soit exempte de poussières et sèche.
27. Branchez la fiche du cordon d'alimentation à une prise facilement accessible afin de débrancher rapidement l'appareil de l'alimentation secteur en cas d'urgence.
28. Pour des raisons de sécurité, il est conseillé de brancher l'appareil directement à une prise électrique sur un circuit dédié, distinct de celui des autres appareils. Si le circuit électrique est surchargé par

- d'autres appareils, il est possible que votre appareil ne fonctionne pas correctement. Il n'est pas conseillé d'utiliser une multiprise ou une rallonge pour cet appareil.
29. Ne laissez pas le cordon d'alimentation exposé sur le sol.
  30. Placez toujours le cordon d'alimentation de sorte que personne ne puisse trébucher ou s'y empêtrer.
  31. N'immergez pas l'appareil dans de l'eau. Ne l'utilisez pas à proximité de l'eau.
  32. N'utilisez pas l'appareil s'il est tombé dans l'eau ou dans d'autres liquides. Faites-le vérifier par un technicien de réparation qualifié.
  33. Ne l'exposez pas à la pluie ni à un environnement humide.
  34. N'explosez pas l'appareil à la lumière directe du soleil ou ne le placez pas dans un espace clos non aéré ou en présence d'autres sources de chaleur.
  35. N'utilisez pas l'appareil s'il est visiblement endommagé.
  36. Il est conseillé de vérifier régulièrement l'état de l'appareil.
  37. Enlevez et jetez correctement tout emballage et toute étiquette promotionnelle avant la première utilisation de l'appareil. En aucun cas, ne décollez les étiquettes de classement et de sécurité !
  38. Rangez et utilisez cet aspirateur uniquement à température ambiante. Il est interdit d'utiliser l'appareil sous des températures extrêmement basses (inférieures à 0 °C) ou élevées (supérieures à 40 °C).
  39. N'utilisez jamais l'appareil pour aspirer des objets brûlants ou de la fumée, tels que cigarettes, cendres chaudes ou allumettes.
  40. N'utilisez jamais l'appareil pour aspirer des liquides combustibles ou inflammables, tels que l'alcool à brûler, l'essence, l'acétone, etc., et surtout ne l'utilisez pas là où ces produits sont présents.
  41. N'utilisez pas l'appareil pour ramasser des objets tranchants et durs, tels que des morceaux de verre, des lames de rasoir, des pièces, des clous, des vis, etc.
  42. N'utilisez pas l'appareil pour aspirer des matériaux corrosifs ou toxiques, tels que les acides minéraux, les solutions alcalines, les oxydants, les déboucheurs, l'eau de Javel, l'ammoniac, etc.
  43. N'utilisez jamais l'appareil dans un espace clos rempli de vapeurs dégagées par de la peinture à l'huile, des substances antimites, des diluants pour peinture, de poussières inflammables ou d'autres vapeurs toxiques ou explosives.
  44. N'utilisez pas l'appareil pour aspirer de l'eau, des liquides ou de la saleté humide.
  45. Évitez d'utiliser l'aspirateur dans des endroits où l'on trouve des lampes de bureau et des bougies, ainsi que les endroits où se trouvent de l'essence, de l'alcool distillé, du diluant, des cendriers avec des cigarettes allumées, etc.

46. Ne mettez jamais en court-circuit les broches de charge au moyen d'objets métalliques, comme tournevis, etc.
47. **ATTENTION** : N'ouvrez pas le boîtier, quel qu'en soit le cas. N'insérez jamais de doigts ni de corps étrangers dans une ouverture de l'appareil et n'obstruez pas les grilles d'aération. Vous devez nettoyer les fentes d'aération pour que l'appareil fonctionne correctement et pour éviter une surchauffe dangereuse. Ne couvrez pas l'appareil.
48. Avant chaque utilisation, assurez-vous que les ouvertures sont exemptes de poussière, de cheveux, de peluches et de tout ce qui peut réduire l'aspiration.
49. Les réparations ne doivent être effectuées que par des techniciens agréés. Ni les utilisateurs ni d'autres personnes non autorisées ne doivent essayer de réparer ou de démonter l'appareil. Des réparations inappropriées peuvent s'avérer extrêmement dangereuses.
50. La tension d'alimentation doit être identique à celle indiquée dans les caractéristiques techniques et sur la plaque signalétique de l'appareil.
51. Vérifiez que l'aspirateur est intact. **NE PAS** l'utiliser si elle est cassée.
52. Si les broches des éléments connecteurs sont endommagées, le bloc d'alimentation enfichable doit être mis au rebut.

#### 1.1. CONSIGNES DE SÉCURITÉ RELATIVES À LA PILE

53. **AVERTISSEMENTS** : L'aspirateur à manche contient des batteries non remplaçables. Les batteries usées ne doivent pas être jetées avec les déchets ménagers. Les batteries doivent être enlevées de l'appareil avant qu'il soit détruit. Pour retirer ces batteries, emportez l'appareil dans un site de mise au rebut/collecte désigné. Pour votre sécurité, n'essayez pas d'enlever vous-même les batteries. Si les batteries ne sont pas enlevées correctement, cela peut endommager les batteries et l'appareil, vous blesser ou rendre l'appareil dangereux.
54. Laisser une batterie dans un environnement de température extrêmement élevée peut provoquer une explosion ou des fuites de liquide ou de gaz inflammable.
55. Il s'agit d'une batterie soumise à une pression d'air extrêmement basse qui peut entraîner une explosion ou une fuite de liquide ou de gaz inflammable.
56. Si le liquide de la batterie fuit et entre en contact avec vos yeux, votre peau ou vos vêtements, rincez immédiatement et abondamment à l'eau claire. Contactez immédiatement votre médecin en cas de contact avec les yeux ou la peau.



57. Les batteries sont hermétiques et ne posent aucun problème de sécurité dans des conditions normales. En cas improbable de fuite de liquide de la batterie, ne touchez pas ce liquide et prenez les précautions suivantes :
- **Contact cutané** : peut causer une irritation. Lavez avec de l'eau et du savon.
  - **Inhalation** : peut causer une irritation respiratoire. Exposez-vous à l'air frais et consultez un médecin.
  - **Contact avec les yeux** : peut causer une irritation. Rincez immédiatement les yeux avec de l'eau en abondance pendant au moins 15 minutes. Consultez un médecin.
  - **Mise au rebut** : portez des gants pour manipuler la batterie et mettez-la immédiatement au rebut, conformément aux règlements ou réglementations locales.
58. **AVERTISSEMENTS** : Pendant la charge, le produit doit être placé dans un endroit bien ventilé.
59. Le marquage de cet appareil (symbole d'une poubelle barrée) est conforme à la directive européenne 2012/19/UE relative aux « équipements électriques et électroniques usagés ». Ce marquage signifie que cet équipement, à la fin de son cycle de vie, ne peut pas être mis au rebut avec les autres déchets ménagers. L'utilisateur est tenu de le remettre aux opérateurs de collecte des équipements électriques et électroniques usagés. Les opérateurs de collecte, y compris les points de collecte locaux, les magasins et les autorités locales, créent un système approprié pour la collecte des équipements. Une collecte appropriée des équipements électriques et électroniques usagés permet d'éviter les effets néfastes sur la santé humaine et l'environnement, résultant de la présence de composants dangereux, ainsi que d'un rangement et d'un traitement inappropriés de ces équipements.
60. Les batteries ne doivent pas être jetées avec les ordures ménagères. Recyclez-les en les amenant à un point de collecte prévu à cet effet. Adressez-vous aux autorités locales ou à votre revendeur pour obtenir des conseils sur le recyclage. Une élimination correcte des batteries usées contribue à protéger l'environnement et la santé humaine.

## 2. CARACTÉRISTIQUES TECHNIQUES

### 2.1. UNITÉ PRINCIPALE

FR

Batterie rechargeable	Li-ion 21,6 V $\text{---}$ , 2000 mAh (C6) 6INR19/22
Tension nominale	21,6 V $\text{---}$
Puissance assignée	150 W
Tension nominale (tête de nettoyage motorisée)	25,2 V $\text{---}$
Puissance nominale (tête de nettoyage motorisée)	10 W
Élément de batterie	ISR18650-2000; 3,7 V, 2000 mAh
Bloc-batterie	BP21620H; 21,6 V, 2,0 Ah, 43,2 Wh
Autonomie de fonctionnement en mode faible aspiration	Environ 15 minutes
Autonomie de fonctionnement en mode aspiration élevée	Environ 40 minutes
Temps de charge	4-6 heures
Capacité du réservoir à poussière	0,6 L
Niveau de puissance acoustique	80 db
Puissance d'aspiration	6 kPa, 30 W

### 2.2. ADAPTATEUR DE COURANT ALTERNATIF (CA)

Nom ou marque du fabricant, numéro siret et adresse	Jiangsu Midea Cleaning Appliances Co., Ltd No.39 Avenue Caohu, Zone de développement économique de Xiangcheng, Suzhou, Jiangsu	
Identifiant du modèle	MC2805B-V	-
Tension d'entrée	100-240	V~
Fréquence du courant alternatif en entrée	50-60	Hz
Tension en sortie	25,0, 29,0	V $\text{---}$
Courant en sortie	0,5	A
Puissance de sortie	12,5, 14,5	W
Efficacité active moyenne	86,9	%
Efficacité à faible charge (10 %)	73,1	%
Consommation électrique à vide	0,08	W

## 3. DESCRIPTION DU PRODUIT

- |   |   |
|---|---|
| 1. Bouton d'alimentation                          | 12. Voyants lumineux                      |
| 2. Bouton d'aspiration Low/High                   | 13. Orifices de ventilation               |
| 3. Bouton de libération du tube                   | 14. Corps                                 |
| 4. Libération pliable                             | 15. Filtre                                |
| 5. Bouton de libération du suceur pour sol        | 16. Suceur biseauté                       |
| 6. Buse de sol                                    | 17. Suceur à brosse ronde 2 en 1          |
| 7. Lampe LED                                      | 18. Adaptateur                            |
| 8. Poignée  | 19. Support de montage mural              |
| 9. Fente de chargement                            | 20. Porte-cordon                          |
| 10. Réservoir à poussière                         | 21. Outil motorisé pour animal domestique |
| 11. Bouton de dégagement du réservoir à poussière |   |



## 4. INSTALLATION

### 4.1. MONTAGE DU SUPPORT MURAL

Le produit est conçu de manière à être suspendu sur le support mural de manière verticale.

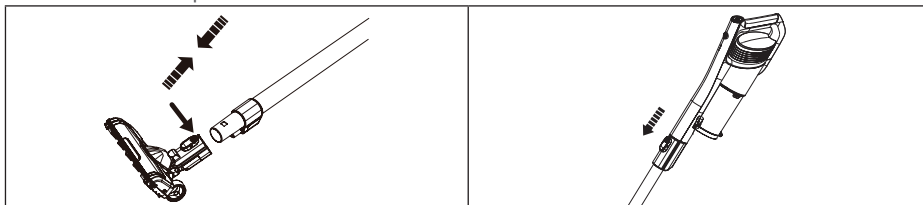
1. Choisissez l'endroit de son installation à proximité d'une prise électrique.
2. Insérez des chevilles à bascule en plastique dans les trous (non incluses).
3. Fixez le support de montage mural au mur et serrez deux vis M4x20 (non fournies).

**Remarque :** Ne percez pas les tuyaux ou les câbles principaux sous la surface lors de la préparation des trous de montage. Les points de fixation doivent pouvoir supporter le poids total du produit.

FR

### 4.2. ASSEMBLAGE DE L'ASPIRATEUR À MANCHE

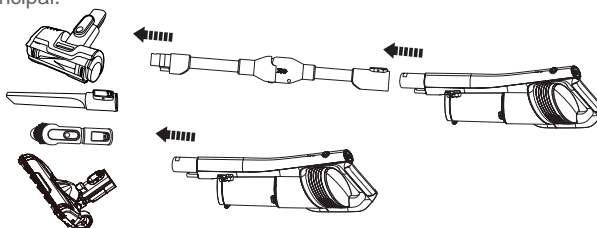
1. Insérez le tube dans le connecteur de la buse de sol en appuyant dessus jusqu'à ce qu'il s'enclenche fermement.
2. Insérez le corps principal dans la partie supérieure du tube en le pressant jusqu'à ce qu'il s'enclenche fermement.
3. Assurez-vous que toutes les connexions sont bien enclenchées.



### 4.3. Installation et retrait des accessoires

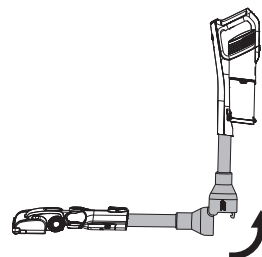
**ATTENTION :** Avant de changer d'accessoires, éteignez toujours l'aspirateur en premier.  
**ATTENTION : Risque de blessures !** Ne tenez jamais le suceur biseauté près du corps, car il pourrait coller à la peau. Si le suceur se coince, éteignez immédiatement l'appareil.

- Pour utiliser le suceur à brosse ronde 2 en 1, appuyez sur le bouton de déverrouillage et faites glisser la brosse vers le haut ou vers le bas jusqu'à ce qu'elle se verrouille en place.
- Les quatre accessoires : suceur biseauté, outil motorisé pour animaux domestiques, suceur à brosse ronde 2 en 1 et suceur pour sols peuvent être raccordés au tube et directement au corps principal.



### 4.4. PLIAGE DU TUBE

Pour accéder facilement aux zones difficiles d'accès sous les meubles, tirez le levier de déverrouillage vers le haut pour abaisser l'angle du tube.





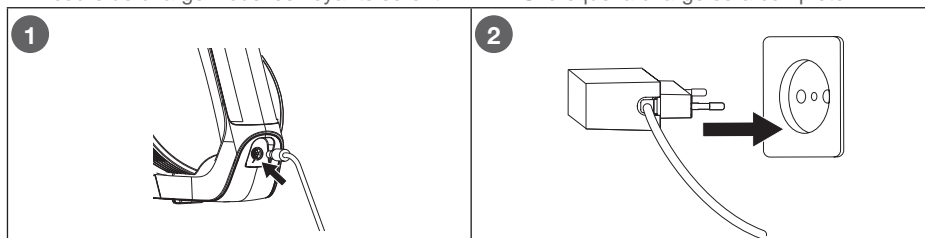
## 5. UTILISATION DE L'APPAREIL

### 5.1. EN CHARGE

FR

#### Remarques :

- L'appareil ne doit pas être utilisé pendant le chargement.
  - Chargez l'appareil lorsque le voyant de charge de la batterie clignote.
1. Accrochez l'appareil à son support mural. Branchez l'embout du chargeur dans le port de charge situé sur le dessus de la poignée.
  2. Branchez le chargeur sur une prise murale.
  3. Pendant la charge, les voyants lumineux sous forme de barres situés sur la poignée s'allumeront dans l'ordre de l'état de charge et clignoteront pour indiquer que la batterie est en cours de charge. Tous les voyants seront ÉTEINTS lorsque la charge sera complète.

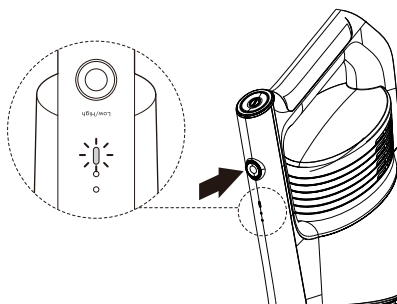


### 5.2. UTILISATION DE L'ASPIRATEUR

1. Insérez l'accessoire désiré dans le tube d'aspiration ou directement dans le corps principal.
2. Appuyez sur l'interrupteur d'alimentation pour allumer l'appareil.
3. L'appareil prévoit deux puissances d'aspiration : faible et élevée. Pour réguler la puissance d'aspiration, appuyez sur le bouton d'aspiration Low/High. La LED sera allumée en blanc à vitesse élevée.

**Remarque :** Après avoir mis l'aspirateur en marche, la puissance d'aspiration par défaut est réglée sur élevée.

4. Une fois l'aspiration terminée, appuyez de nouveau sur le bouton d'alimentation pour éteindre l'appareil.
5. Videz et nettoyez le réservoir à poussière. Accrochez l'appareil à son support mural.



## 6. ENTRETIEN ET NETTOYAGE

**Remarque :** Éteignez toujours l'appareil et débranchez-le de l'alimentation électrique (s'il se charge) avant de changer les accessoires, de le nettoyer ou d'effectuer l'entretien.

1. Ne plongez ni l'appareil, ni son cordon d'alimentation, ni l'adaptateur dans l'eau ou dans tout autre liquide.
2. Évitez les liquides et les matériaux corrosifs. N'utilisez pas de nettoyants abrasifs, de produits chimiques, de produits nettoyants pour le verre, de nettoyants universels, d'agents désinfectants ou d'agents d'entretien à base d'huile ! Ces produits peuvent endommager l'appareil.

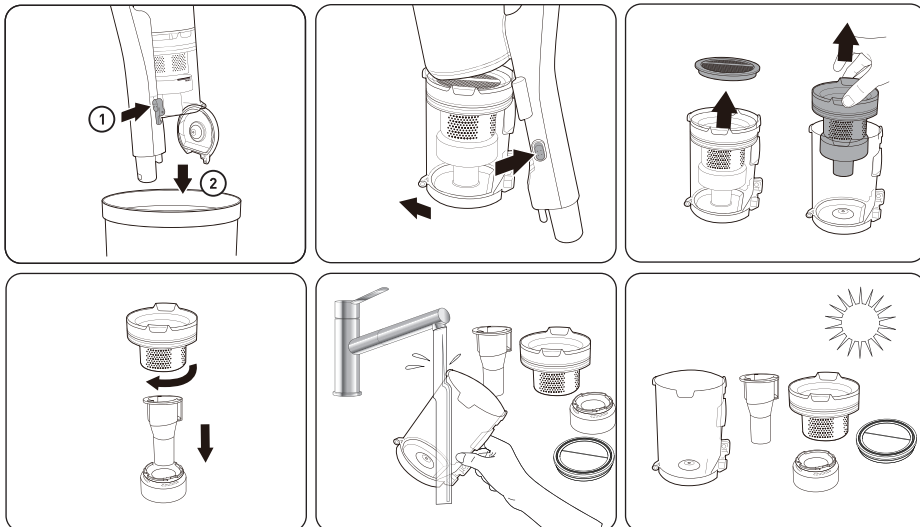
### 6.1. NETTOYEZ LE CORPS PRINCIPAL ET LES ACCESSOIRES

1. Utilisez un chiffon doux et humide pour essuyer la saleté sur le corps principal. Veillez à ce que l'eau ne pénètre pas à l'intérieur de l'appareil. Laissez-le sécher complètement avant l'utilisation.
2. Essuyez les accessoires à l'aide d'un chiffon doux et humide et, si nécessaire, un peu de détergent doux. Laissez-les sécher complètement.



## 6.2. NETTOYER LE RÉSERVOIR À POUSSIÈRE

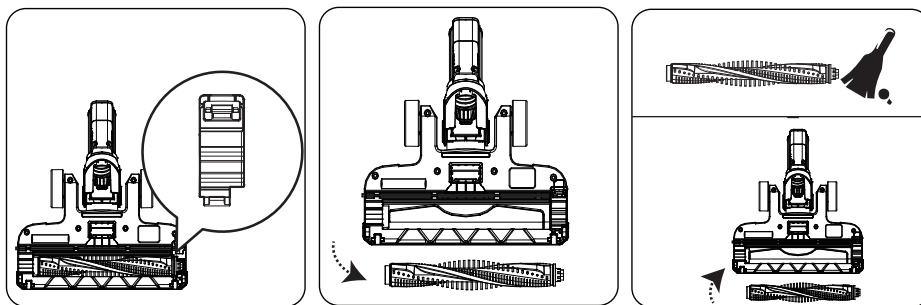
1. Sous la poubelle, décrochez le verrou et le couvercle s'ouvrira. Videz le contenu.
2. Retirez délicatement le filtre et sa protection du réservoir à poussière situé sous la poubelle. Videz le contenu du réservoir à poussière dans une poubelle et nettoyez-le avec un chiffon humide, une brosse douce ou rincez-le à l'eau froide si nécessaire. Assurez-vous que le réservoir à poussière est complètement sec avant de le remplacer.
3. Retirez le système de protection du filtre en le tournant dans le sens antihoraire, puis levez. Nettoyez le filtre avec un chiffon sec ou une brosse douce. Laissez couler de l'eau froide sur l'extérieur du filtre et de la protection du filtre jusqu'à ce que l'eau devienne claire, si nécessaire. Lavez le filtre régulièrement ou au besoin. Posez le filtre et la protection du filtre sur le côté pour les faire sécher complètement.
4. Lorsqu'il est complètement sec, réinstallez d'abord la protection du filtre dans le réservoir à poussière. Remettez en place le système de protection du filtre en tournant dans le sens horaire. Assurez-vous qu'il est bien ajusté. Ensuite, placez le filtre dans la protection du filtre.
5. Remettez en place le godet à poussière dans le corps principal.



## 6.3. ENTRETIEN DU SUCEUR POUR SOL





**Remarque :** Si vous aspirez un objet dur ou pointu ou si vous remarquez un changement de bruit pendant que vous passez l'aspirateur, vérifiez qu'il n'y a pas de blocages ou d'objets coincés dans la brosse à rouleaux.

1. Abaissez le levier situé au-dessus de la plaque amovible et retirez celle-ci. Retirez ensuite la brosse à rouleau.
2. Nettoyez la brosse et éliminez toute saleté tenace. Coupez les fils ou les poils qui se sont enroulés autour de la brosse à rouleaux au moyen d'une paire de ciseaux. Essuyez le compartiment de la brosse à rouleaux à l'aide d'un chiffon doux et humide. Laissez-le sécher complètement.
3. Réinsérez la brosse à rouleau. Pour remplacer la plaque amovible, insérez la partie inférieure dans le trou, puis poussez la partie supérieure jusqu'à ce qu'elle s'enclenche.



#### 6.4. ENTRETIEN DE L'OUTIL MOTORISÉ POUR ANIMAUX DOMESTIQUES

**Remarque :** Si vous aspirez un objet dur ou pointu ou si vous remarquez un changement de bruit pendant que vous passez l'aspirateur, vérifiez qu'il n'y a pas de blocages ou d'objets coincés dans la brosse à rouleaux.

1. Pour retirer la brosse à rouleau de l'outil motorisé pour animaux domestiques, faites glisser la plaque de verrouillage de  à . Tirez doucement la brosse à rouleaux sur le côté.
2. Nettoyez la brosse et éliminez toute saleté tenace. Coupez les fils ou les poils qui se sont enroulés autour de la brosse à rouleaux au moyen d'une paire de ciseaux. Essayez le compartiment de la brosse à rouleaux à l'aide d'un chiffon doux et humide. Laissez-le sécher complètement.
3. Remettez bien la brosse à rouleaux en place dans son compartiment. Faites glisser la plaque de verrouillage de  à .

# RESUMEN DEL CONTENIDO

1. INSTRUCCIONES DE SEGURIDAD	P. 23
2. ESPECIFICACIONES TÉCNICAS	P. 27
3. DESCRIPCIÓN DEL PRODUCTO	P. 28
4. INSTALACIÓN	P. 29
5. USO DEL PRODUCTO	P. 31
6. MANTENIMIENTO Y LIMPIEZA	P. 31

ES

## 1. INSTRUCCIONES DE SEGURIDAD

Antes de usar este producto, lea atentamente estas instrucciones y conserve el manual del usuario para futuras consultas.

1. Este aparato puede ser utilizado por niños mayores de 8 años y personas con capacidades físicas, sensoriales o mentales reducidas o sin experiencia y conocimiento si se les ha supervisado o instruido sobre el uso del artefacto de una manera segura y entienden los peligros que conlleva.
2. Los niños no deben jugar con el aparato.
3. La limpieza y el mantenimiento por parte del usuario no deben ser realizados por niños sin supervisión.
4. En caso de que el cable de alimentación esté dañado debe ser reemplazado por el fabricante, el servicio técnico autorizado u otra persona con una cualificación similar para evitar accidentes.
5. El dispositivo solo debe usarse con la fuente de alimentación provista con el electrodoméstico.
6.  **ADVERTENCIA:** Para recargar la batería, utilice únicamente la unidad de suministro desmontable (MC2805B-V) que se proporciona con este dispositivo.
7. **ADVERTENCIA:** Este cargador de batería solo puede cargar esta aspiradora en particular. ¡NO utilice este adaptador de corriente para cargar otros dispositivos!
8. Este dispositivo contiene baterías que solo las personas capacitadas pueden sustituir.
9. Se debe extraer el enchufe de la toma de corriente antes de limpiar o realizar el mantenimiento del aparato.
10. Es necesario tomar precauciones durante el mantenimiento del usuario. Consulte el apartado «**MANTENIMIENTO Y LIMPIEZA**» para conocer el mantenimiento y limpieza del aparato.
11. **PRECAUCIÓN:** ¡Solo para uso doméstico en interiores! No utilice el aparato en exteriores.

12. Apague el aparato antes de cambiar los accesorios.
13. No utilice el aparato si se ha caído, si hay signos visibles de daños o si la batería recargable tiene fugas.
14. Mantenga el cabello, la ropa, los dedos y todas las partes del cuerpo lejos de las aberturas.
15. **ADVERTENCIA:** Nunca use el aparato sin el filtro. Para conseguir una recogida óptima del polvo es necesario que el filtro esté limpio y que el depósito de polvo esté vacío.
16. No utilice accesorios distintos a los suministrados por el fabricante, para evitar dañar el aparato o causar lesiones.
17. Consulte el apartado **5.1. CARGA** para obtener información sobre la carga.
18. **2. ESPECIFICACIONES TÉCNICAS** para conocer la referencia del tipo de baterías.
19. Asegúrese de tener las manos secas antes de manipular el enchufe o encender el aparato.
20. No manipule nunca la aspiradora de mano y su base de carga con las manos húmedas o mojadas.
21. No utilice un cable de alimentación o un enchufe dañado ni una toma de corriente suelta.
22. Desenrolle completamente el cable eléctrico antes de usarlo. No cargue el aparato mientras el cable de alimentación esté enrollado, ya que puede provocar un sobrecalentamiento. No doble, estire ni tire del cable de alimentación para evitar una descarga eléctrica.
23. No pase el cable de alimentación por encima de bordes afilados.
24. No deje que el cable eléctrico cuelgue por el borde, toque superficies calientes ni se enrede. No coloque un objeto pesado sobre el cable de alimentación ya que podría romperlo.
25. Nunca desconecte el enchufe de la toma de corriente por el cable de alimentación, ni tire del cable de alimentación para mover el aparato.
26. Antes de conectarlo a la toma de corriente, asegúrese de que no haya polvo ni agua en el enchufe.
27. Conecte el enchufe del cable de alimentación a una toma de corriente de fácil acceso, para poder desconectar rápidamente el aparato de la red eléctrica en caso de emergencia.
28. Se recomienda enchufar el aparato directamente a su propia toma eléctrica de un circuito dedicado por separado de otros aparatos por motivos de seguridad. Si el circuito eléctrico está sobrecargado con otros aparatos, el aparato puede no funcionar correctamente. No se recomienda utilizarlo en combinación con una regleta o cable alargador.
29. No deje el cable de alimentación expuesto en el suelo.



30. Coloque el cable de corriente de tal forma que nadie lo pise o se enrede.
31. No sumerja el aparato en agua. No lo utilice cerca del agua.
32. No utilice el aparato si se ha caído en el agua o en cualquier otro líquido. Haga que lo revise un técnico de reparaciones cualificado.
33. No lo exponga a la lluvia ni a la humedad.
34. No coloque el aparato a la luz directa del sol o en un espacio cerrado donde la ventilación esté restringida ni donde haya otras fuentes de calor.
35. No utilice el aparato si está visiblemente dañado.
36. Se recomienda inspeccionar periódicamente el aparato.
37. Retire y deseche de manera segura los materiales de embalaje y etiquetas promocionales antes de utilizar el aparato por primera vez. ¡No retire las etiquetas de clasificación ni la información de seguridad!
38. Almacene y opere este aspirador solo en entornos con temperatura ambiente. Está prohibido utilizar el producto a temperaturas extremadamente bajas (por debajo de 0 °C) o altas (por encima de 40 °C).
39. No lo utilice nunca para recoger nada que esté humeando o ardiendo, como cigarrillos, cenizas calientes o cerillas.
40. No lo utilice nunca para recoger líquidos inflamables o combustibles, como metanol, gasolina, acetona, etc., ni lo utilice en la zona donde puedan estar presentes.
41. No lo utilice nunca para recoger objetos afilados y duros, como trozos de vidrio, virutas de metal, monedas, clavos, tornillos, etc.
42. No lo utilice nunca para recoger materiales corrosivos o tóxicos, como ácidos minerales, soluciones alcalinas, oxidantes, limpiadores de desagües, lejía, amoníaco, etc.
43. No lo utilice nunca en un espacio cerrado en el que haya vapores procedentes de pinturas a base de aceite, sustancias antipolillas, disolvente de pintura, polvo inflamable u otros vapores tóxicos o explosivos.
44. No utilice el aparato para aspirar agua, líquidos o suciedad húmeda.
45. Evite utilizar el aspirador en lugares con lámparas de escritorio y velas, así como en lugares con gasolina, alcohol destilado, disolventes, ceniceros con cigarrillos encendidos, etc.
46. Nunca cortocircuite las clavijas de carga con objetos metálicos como destornilladores, etc.
47. **PRECAUCIÓN:** No abra la carcasa bajo ninguna circunstancia. No introduzca nunca los dedos ni ningún objeto extraño en ninguna de las aberturas del aparato y no obstruya las salidas de aire. Se deben mantener despejadas las ranuras de ventilación para que el aparato funcione correctamente y evitar un sobrecalentamiento peligroso. No cubra el aparato.



ES

48. Antes de cada uso, asegúrese de que las aberturas estén libres de polvo, pelo, pelusa y cualquier cosa que pueda reducir el flujo.
49. Las reparaciones deben ser realizadas únicamente por técnicos autorizados. No está permitido que los usuarios u otras personas no autorizadas intenten reparar o desmontar el producto. Las reparaciones incorrectas pueden provocar peligros considerables.
50. La tensión de alimentación deberá coincidir con la indicada en las especificaciones técnicas y en la placa de características del aparato.
51. Compruebe que el aspirador está intacto. **NO** la use si está rota.
52. Si las clavijas del enchufe están dañadas, se deberá desechar la fuente de alimentación enchufable.

#### 1.1. INSTRUCCIONES DE SEGURIDAD DE LAS PILAS

53. **ADVERTENCIAS:** La aspiradora de mano contiene baterías no reemplazables. Las pilas usadas no deben tirarse a la basura doméstica. Extraiga las baterías del aparato antes de desecharlo. Para extraer las baterías, lleve el aparato a un punto de eliminación o recogida oficial. Por su seguridad, no intente extraer las baterías usted mismo. Si las baterías no se extraen correctamente, pueden provocar daños en las baterías y en el dispositivo, causar lesiones personales o hacer que el dispositivo no sea seguro.
54. Exposición de la batería a temperatura ambiente extremadamente alta, lo que podría provocar una explosión o la fuga de líquido o gas inflamable.
55. La exposición de la batería a una presión atmosférica extremadamente baja podría provocar una explosión o la fuga de líquidos o gases inflamables.
56. Si el líquido de la pila se derrama y entra en contacto con los ojos, la piel o la ropa, enjuague inmediatamente con abundante agua limpia. Contacte inmediatamente con su médico en caso de contacto con los ojos o la piel.
57. Las baterías son una unidad sellada y, en circunstancias normales, no plantean problemas de seguridad. En el caso improbable de que se produzcan fugas de líquido de la batería, no toque el líquido y observe las siguientes precauciones:
  - **Contacto con la piel:** puede causar irritación. Lávese con agua y jabón.
  - **Inhalación:** puede causar irritación respiratoria. Salga al aire libre y busque asesoramiento médico.
  - **Contacto con los ojos:** puede causar irritación. Lávese inmediatamente los ojos con agua durante al menos 15 minutos. Busque atención médica.



- **Eliminación:** utilice guantes para manipular la batería y deséchela inmediatamente, siguiendo las ordenanzas o reglamentos locales.
58. **ADVERTENCIAS:** Durante la carga, el producto debe colocarse en un área bien ventilada.
59. La marca que aparece en este dispositivo (símbolo de un contenedor tachado) cumple con la Directiva Europea 2012/19/UE relativa a "equipos eléctricos y electrónicos usados". Dicha marca significa que este equipo, al final de su vida útil, no se debe desechar con otros residuos domésticos. El usuario debe entregarlo a algún agente de recogida de equipos electrónicos y eléctricos usados. Los agentes de recogida, incluidos los puntos de recogida locales, comercios y autoridades locales, crean un sistema adecuado para la recogida de equipos. La recogida adecuada de los equipos electrónicos y eléctricos usados ayuda a evitar efectos nocivos en la salud humana y en el medio ambiente, derivados de componentes peligrosos, así como de un almacenamiento o tratamiento inadecuado de este equipo.
60. Las baterías no deben desecharse con la basura doméstica. Recíclelas en los puntos de recogida previstos para este fin. Póngase en contacto con las autoridades locales o con su distribuidor para obtener asesoramiento sobre reciclaje. La correcta eliminación de las baterías usadas ayuda a proteger el medio ambiente y la salud.

## 2. ESPECIFICACIONES TÉCNICAS

### 2.1. UNIDAD PRINCIPAL

Batería recargable	Iones de litio de 21,6 V $\text{---}$ , 2000 mAh (C6) 6INR19/22
Voltaje nominal	21,6 V $\text{---}$
Potencia asignada	150 W
Tensión nominal (cabezal de limpieza motorizado)	25,2 V $\text{---}$
Potencia nominal (cabezal de limpieza motorizado)	10 W
Celda de batería	ISR18650-2000; 3,7 V, 2000 mAh
Batería	BP21620H; 21,6 V, 2,0 Ah, 43,2 Wh
Tiempo de funcionamiento con potencia de succión baja	Aproximadamente 15 minutos
Tiempo de funcionamiento con potencia de succión alta	Aproximadamente 40 minutos
Tiempo de carga	4-6 horas
Capacidad del depósito para el polvo	0,6 L
Nivel de potencia acústica	80 db
Potencia de succión	6 kPa, 30 W



## 2.2. ADAPTADOR CA

Nombre o marca del fabricante, número de registro comercial y dirección	Jiangsu Midea Cleaning Appliances Co., Ltd No.39 Caohu Avenue, Xiangcheng Economic Development Zone, Suzhou, Jiangsu	
Identificador del modelo	MC2805B-V	-
Tensión de entrada	100-240	V~
Frecuencia de CA de entrada	50-60	Hz
Tensión de salida	25,0, 29,0	V===
Corriente de salida	0,5	A
Potencia de salida	12,5, 14,5	W
Eficiencia activa media	86,9	%
Eficiencia a baja carga (10 %)	73,1	%
Consumo de energía sin carga	0,08	W

ES

## 3. DESCRIPCIÓN DEL PRODUCTO

- |  |  |
|--|--|
| 1. Botón de encendido                            | 11. Botón de liberación del depósito para el polvo |
| 2. Botón de succión Low/High                     | 12. Luces indicadoras                              |
| 3. Botón de apertura del tubo                    | 13. Rejillas de ventilación                        |
| 4. Plegable de liberación                        | 14. Cuerpo principal                               |
| 5. Botón de liberación de la boquilla para suelo | 15. Filtro   |
| 6. Boquilla para suelo                           | 16. Boquilla para grietas                          |
| 7. Luz LED                                       | 17. Boquilla de cepillo redondo 2 en 1             |
| 8. Asa   | 18. Adaptador                                      |
| 9. Ranura de carga                               | 19. Soporte de pared                               |
| 10. Depósito para el polvo                       | 20. Portacable                                     |
|  | 21. Accesorio para mascotas motorizado             |

## 4. INSTALACIÓN

### 4.1. MONTAJE DEL SOPORTE DE PARED

El producto está diseñado para colocarse en el soporte de pared verticalmente.

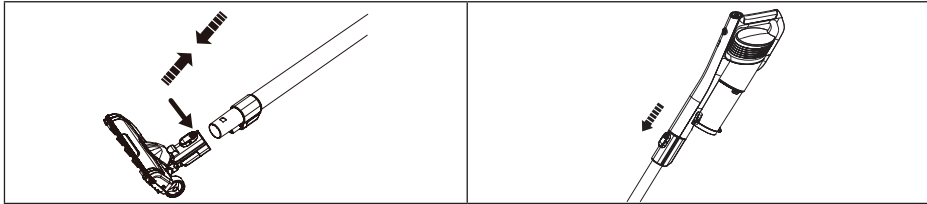
1. Seleccione una posición de instalación cerca de una toma de corriente.
2. Coloque los tacos de fijación en los orificios (no incluidos).
3. Fije el soporte de pared a la pared y apriete los dos tornillos M4x20 (no incluidos).

**Observación:** No perforo tuberías ni cables de corriente debajo de la superficie durante la preparación de los orificios de montaje. Los puntos de fijación deben ser capaces de soportar el peso total del producto.



## 4.2. MONTAJE DE LA ASPIRADORA DE MANO

1. Introduzca el tubo en el conector de la boquilla para suelo, presionándolo hasta que quede bien sujeto.
2. Introduzca el cuerpo principal en la parte superior del tubo, presionándolo hasta que encaje firmemente en su lugar.
3. Asegúrese de que todas las conexiones encajen firmemente en su lugar.



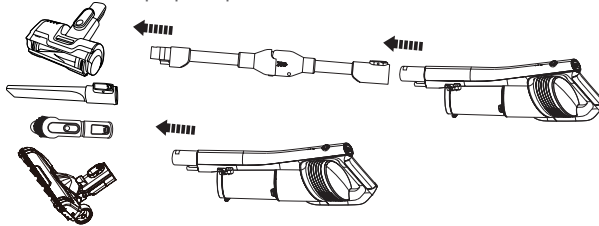
ES

## 4.3. Montaje y desmontaje de accesorios

**PRECAUCIÓN:** Antes de cambiar los accesorios, apague siempre el aspirador.

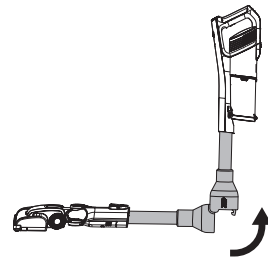
**PRECAUCIÓN: ¡Riesgo de lesiones!** No sujete nunca la boquilla para grietas cerca del cuerpo, ya que podría pegarse a la piel. Si la boquilla se queda pegada, apague inmediatamente el aparato.

- Para usar la boquilla de cepillo redondo 2 en 1, pulse el botón de liberación para desbloquear y deslice el cepillo hacia arriba o hacia abajo hasta que encaje en su lugar.
- Los cuatro accesorios: boquilla para rincones, herramienta motorizada para mascotas, boquilla de cepillo redondo 2 en 1 y boquilla para suelos se pueden conectar al tubo y directamente al cuerpo principal.



## 4.4. PLEGADO DEL TUBO

Para acceder fácilmente a áreas difíciles de alcanzar debajo de los muebles, tire de la palanca de liberación hacia arriba para colocar el tubo en un ángulo más bajo.





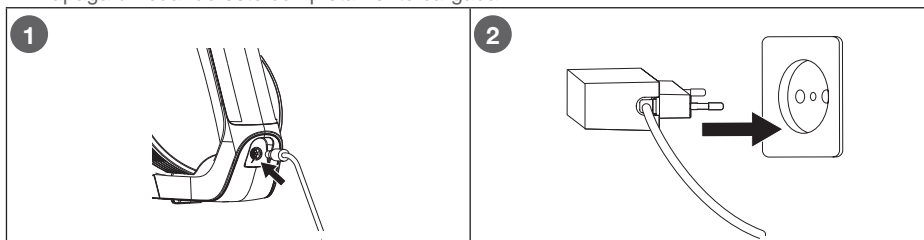
## 5. USO DEL PRODUCTO

### 5.1. CARGA

#### Notas:

- No se puede utilizar el aparato mientras se está cargando.
  - Cargue el aparato cuando el indicador de carga de la batería esté parpadeando.
1. Cuelgue el aparato en el soporte de pared. Conecte la punta del cargador al puerto de carga situado en la parte superior del mango.
  2. Introduzca el enchufe en la toma de corriente.
  3. Durante la carga, las barras de luz indicadoras en el mango se iluminarán en orden de estado de carga y parpadearán, indicando que la batería se está cargando. Todas las luces se apagarán cuando esté completamente cargada.

ES

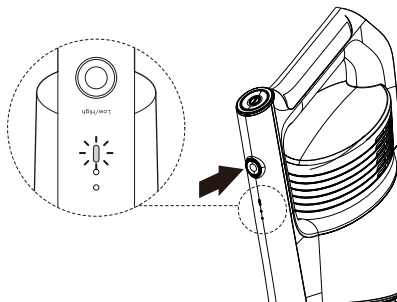


### 5.2. FUNCIONAMIENTO DEL ASPIRADOR

1. Inserte el accesorio deseado en la abertura de aspiración del tubo o directamente en el cuerpo principal.
2. Pulse el botón de encendido para encender el aparato.
3. Este aparato cuenta con potencia de succión alta y baja. Para regular la potencia de succión, pulse el botón de succión Low/High. El LED se iluminará en blanco a Alta velocidad.

**Observación:** Después de encender la aspiradora, la potencia de succión predeterminada se establece en alta.

4. Tras finalizar el aspirado, vuelva a pulsar el botón de encendido para apagar el aparato.
5. Vacíe y limpie el depósito para el polvo. Cuelgue el aparato en el soporte de pared.



## 6. MANTENIMIENTO Y LIMPIEZA

**Observación:** Apague siempre el aparato y desconéctelo de la red eléctrica (si se está cargando) antes de cambiar los accesorios, limpiarlo o realizar el mantenimiento.

1. No sumerja el aparato, el cable de alimentación ni el adaptador en agua ni en otros líquidos.
2. Evite líquidos y materiales corrosivos. ¡No utilice productos de limpieza abrasivos, productos químicos, limpiacristales, limpiadores universales, desinfectantes o productos de mantenimiento a base de aceite! Estos productos pueden dañar el aparato.

### 6.1. LIMPIEZA DEL CUERPO PRINCIPAL Y DE LOS ACCESORIOS

1. Utilice un paño suave y húmedo para limpiar la suciedad del cuerpo principal. Asegúrese de que no entre agua dentro del aparato. Deje que se seque por completo antes de su uso.
2. Limpie los accesorios con un paño suave y húmedo y, si es necesario, un poco de detergente suave. Deje que se sequen por completo.

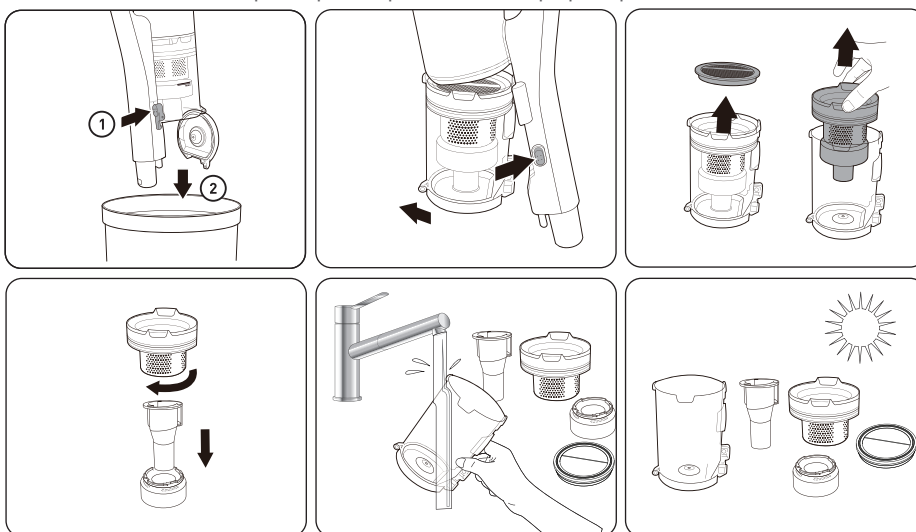




## 6.2. LIMPIEZA DEL CONTENEDOR DE POLVO

1. Debajo del contenedor, desenganche el pestillo y la tapa se abrirá. Vacíe el contenido.
2. Extraiga con cuidado el filtro y su protección que se encuentran dentro del contenedor de polvo. Vacíe el contenido del depósito para el polvo en un cubo de basura y límpielo con un paño húmedo, con un cepillo suave o enjuáguelo con agua fría si es necesario. Asegúrese de que el depósito para el polvo esté completamente seco antes de volver a instalarlo.
3. Retire el filtro de su protección girándolo en sentido contrario a las agujas del reloj y levantándolo. Limpie el filtro con un paño seco o un cepillo suave. Si es necesario, deje correr agua fría sobre el exterior del filtro y su protección hasta que el agua salga clara. Lave el filtro regularmente o cuando sea necesario. Coloque el filtro y su protección de lado para que se sequen completamente.
4. Cuando esté completamente seco, vuelva a instalar en primer lugar la protección del filtro en el contenedor de polvo. Coloque la protección del filtro y asegúrela girándola en el sentido de las agujas del reloj. Asegúrese de que esté bien colocado. A continuación, coloque el filtro en la protección del filtro.
5. Vuelva a montar el depósito para el polvo en el cuerpo principal.

ES



## 6.3. MANTENIMIENTO DE LA BOQUILLA PARA SUELO

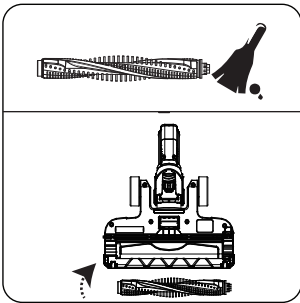
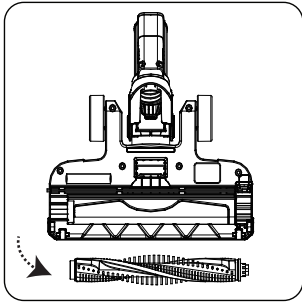
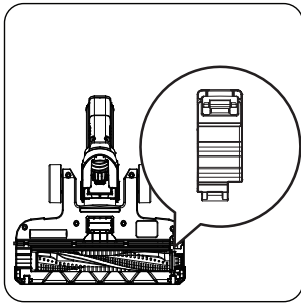
**Observación:** Si pasa por encima de un objeto duro o afilado, o si nota algún cambio mientras aspira, compruebe si se ha producido un bloqueo o si hay objetos atrapados en el cepillo giratorio.

1. Baje la palanca situada en la parte superior de la placa extraíble y saque la bandeja. A continuación, saque el cepillo giratorio.
2. Limpie el cepillo giratorio y elimine la suciedad más resistente, de haberla. Corte con unas tijeras los hilos o cabellos que se hayan enrollado en el cepillo giratorio. Limpie el compartimento del cepillo giratorio con un paño suave y húmedo. Déjelo secar completamente.
3. Vuelva a introducir el cepillo giratorio. Para volver a colocar la bandeja extraíble, introduzca la parte inferior en el orificio y, a continuación, empuje la parte superior hasta que encaje en su lugar.









ES



#### 6.4. MANTENIMIENTO DE LA HERRAMIENTA MOTORIZADA PARA MASCOTAS

**Observación:** Si pasa por encima de un objeto duro o afilado, o si nota algún cambio mientras aspira, compruebe si se ha producido un bloqueo o si hay objetos atrapados en el cepillo giratorio.

1. Para retirar el cepillo giratorio de la herramienta motorizada para mascotas, deslice la placa de bloqueo desde  hasta . Extraiga con cuidado el cepillo giratorio del lateral.
2. Limpie el cepillo giratorio y elimine la suciedad más resistente, de haberla. Corte con unas tijeras los hilos o cabellos que se hayan enrollado en el cepillo giratorio. Limpie el compartimento del cepillo giratorio con un paño suave y húmedo. Déjelo secar completamente.
3. Vuelva a colocar el cepillo giratorio en su compartimento y encájelo firmemente. Deslice la placa de bloqueo desde  hasta .






# RESUMO DO CONTEÚDO

1. INSTRUÇÕES DE SEGURANÇA	P. 33
2. ESPECIFICAÇÕES TÉCNICAS	P. 37
3. DESCRIÇÃO DO PRODUTO	P. 38
4. INSTALAÇÃO	P. 38
5. UTILIZAÇÃO DO PRODUTO	P. 40
6. MANUTENÇÃO E LIMPEZA	P. 40

PT

## 1. INSTRUÇÕES DE SEGURANÇA

Antes de usar este produto, leia atentamente as presentes instruções e guarde o manual de instruções para consulta futura.

1. Este aparelho pode ser utilizado por crianças a partir dos 8 anos e por pessoas com capacidades físicas, sensoriais ou mentais reduzidas ou com falta de experiência e conhecimento, se forem supervisionadas ou se tiverem tido formação relativa à utilização do aparelho de uma forma segura e se compreenderem os perigos envolvidos.
2. As crianças não devem brincar com o aparelho.
3. A limpeza e a manutenção da responsabilidade do utilizador não deverão ser feitas por crianças não supervisionadas.
4. Se o cabo de alimentação estiver danificado, este deve ser substituído pelo fabricante, pelo agente de serviço ou por pessoal igualmente qualificado, de modo a evitar perigos.
5. O aparelho deve apenas ser utilizado com a respetiva unidade de fonte de alimentação fornecida.
6.  **AVISO:** Para recarregar a bateria, use apenas a fonte de alimentação amovível (MC2805B-V), fornecida com este aparelho.
7. **AVISO:** Este carregador de bateria apenas pode carregar este aspirador específico. NÃO utilize este carregador de bateria para carregar outros produtos!
8. Este aparelho inclui baterias que são substituíveis apenas por pessoas qualificadas para o efeito.
9. A ficha deve ser desligada da tomada elétrica antes da limpeza ou manutenção do aparelho.
10. É necessário tomar precauções durante a manutenção. Consulte a secção "**MANUTENÇÃO E LIMPEZA**" para efetuar a manutenção e limpeza do aparelho.



PT

11. **ATENÇÃO:** Apenas para utilização doméstica e no interior! Não utilize o aparelho em ambientes exteriores.
12. Desligue o aparelho antes de mudar os acessórios.
13. Não use este aparelho se ele tiver sofrido uma queda, se houver sinais visíveis de danos ou se a bateria recarregável estiver a vaziar.
14. Mantenha o cabelo, roupas largas, dedos e todas as partes do corpo afastadas das aberturas.
15. **AVISO:** Nunca use o aparelho sem o filtro. Para conseguir uma aspiração ótima necessita de um filtro limpo e um depósito vazio.
16. Não use acessórios que não os disponibilizados pelo fabricante para evitar danificar o aparelho e/ou causar danos.
17. Consulte a secção **5.1. CARREGAMENTO** para obter informação sobre o carregamento.
18. **2. ESPECIFICAÇÕES TÉCNICAS** para a referência das baterias.
19. Certifique-se sempre de ter as mãos secas antes de tocar na ficha ou ligar o aparelho.
20. Nunca manuseie o aspirador vertical nem a estação de carregamento com as mãos húmidas ou molhadas.
21. Não use um fio de abastecimento ou uma ficha danificados ou uma tomada solta.
22. Desenrole totalmente o cabo de alimentação antes da utilização. Não carregue o aparelho enquanto o cabo de alimentação estiver enrolado, pois isso pode causar sobreaquecimento. Não dobre, estique ou puxe o cabo de alimentação para evitar choques elétricos.
23. Não passe o cabo de abastecimento sobre arestas afiadas.
24. Não deixe o cabo de alimentação pendurado sobre arestas, a tocar em superfícies quentes, nem deixe que ganhe nós. Não coloque objetos pesados em cima do cabo de alimentação que possam danificá-lo.
25. Nunca puxe a ficha de alimentação da tomada pelo cabo de alimentação, nem puxe o cabo de alimentação para direcionar o aparelho.
26. Antes de ligar à corrente, certifique-se de que não há pó ou água na ficha.
27. Ligue a ficha a uma tomada de fácil acesso, para desligar rapidamente o aparelho da tomada no caso de uma emergência.
28. Por motivos de segurança, é recomendado que ligue o aparelho diretamente a uma tomada elétrica individual num circuito dedicado, separado de outros aparelhos. Se o circuito elétrico estiver sobrecarregado com outros aparelhos, o aparelho poderá não funcionar corretamente. Não é recomendada a utilização de uma tomada múltipla ou de uma extensão elétrica.



29. Não deixe o cabo de alimentação exposto no chão.
30. Posicione sempre o cabo de alimentação de modo a que ninguém tropece nem fique enredado nele.
31. Não mergulhe o produto em água. Não use perto de água.
32. Não use o aparelho, se tiver caído dentro de água ou de outro líquido. Este deve ser reparado por um técnico qualificado.
33. Não exponha o aparelho à chuva, em locais molhados ou húmidos.
34. Não coloque o aparelho sob a luz direta do sol ou num espaço fechado com pouca ventilação ou onde houver outras fontes de calor.
35. Não ligue o aparelho, se o mesmo estiver visivelmente danificado.
36. É recomendado que inspecione regularmente o aparelho.
37. Remova e desfaça-se em segurança de qualquer material de embalagem e etiquetas promocionais antes de utilizar o aparelho pela primeira vez. Não remova os rótulos de classificação e as informações de segurança!
38. Guarde e opere o aspirador apenas em locais que estejam à temperatura ambiente. É proibida a utilização do produto a temperaturas extremamente baixas (abaixo de 0 °C) ou altas (acima de 40 °C).
39. Nunca o utilize para recolher o que quer que seja com fumo ou a arder, como cigarros, brasas quentes ou fósforos.
40. Nunca o utilize para recolher líquidos inflamáveis ou combustíveis, tais como álcool, gasolina, acetona, etc., nem em áreas onde estes possam estar presentes.
41. Nunca o utilize para recolher objetos afiados e duros, como vidro partido, aparas metálicas, moedas, pregos, parafusos, etc.
42. Nunca o utilize para recolher materiais corrosivos ou tóxicos, tais como ácidos minerais, soluções alcalinas, oxidantes, produtos de limpeza de canos, lixívia, amoníaco, etc.
43. Nunca o utilize em espaços fechados com vapores emitidos por pintura à base de óleo, substâncias de impermeabilização contra a traça, diluente, poeiras inflamáveis, ou outros vapores tóxicos ou explosivos.
44. Não use o aparelho para aspirar água, líquidos ou lama.
45. Evite utilizar o aspirador em locais com candeeiros de secretária e velas no chão, bem como em locais com gasolina, álcool destilado, diluente, cinzeiros com cigarros acesos, etc.
46. Nunca provoque o curto-circuito dos pinos de carregamento com objetos metálicos, tais como chaves de fendas, etc.
47. **ATENÇÃO:** Não abra o aparelho em circunstância alguma. Nunca insira os dedos ou objetos estranhos em qualquer abertura do aparelho e não obstrua as aberturas de ventilação. As ranhuras da ventilação devem ser mantidas livres, para que o aparelho funcione corretamente e seja evitado o perigo de sobreaquecimento. Não cubra o aparelho.





48. Antes de cada utilização, certifique-se de que as aberturas estão livres de pó, pelos, cotão e outros elementos que possam reduzir o fluxo.
49. As reparações só devem ser realizadas por técnicos autorizados. Os utilizadores e outras pessoas não autorizadas não devem tentar reparar ou desmontar o produto. As reparações inadequadas podem conduzir a perigos significativos.
50. A tensão de alimentação deve ser a mesma do que a indicada nas especificações técnicas e na placa de características do aparelho.
51. Verifique se o aspirador está intacto. **NÃO** use se estiver danificado.
52. Se os pernos das fichas estiverem danificados, a fonte de alimentação deve ser inutilizada.

PT

### 1.1. INSTRUÇÕES DE SEGURANÇA DAS PILHAS

53. **AVISOS:** O aspirador vertical contém baterias não substituíveis. As baterias usadas não podem ser eliminadas no lixo doméstico. As baterias têm de ser retiradas do aparelho antes de o mesmo ser eliminado. Para remover as baterias, leve o aparelho a um local de eliminação/recolha indicado. Para sua segurança, não tente retirar as baterias. Se as baterias não forem retiradas corretamente, podem ocorrer danos às baterias e ao aparelho, ferimentos pessoais e/ou fazer com que o aparelho não seja seguro.
54. Abandonar uma bateria num ambiente com uma temperatura extremamente elevada, que possa resultar em explosão ou fuga do líquido inflamável ou gás.
55. Uma bateria sujeita a pressão de ar extremamente baixa, que possa resultar em explosão ou fuga do líquido ou gás inflamável.
56. Se o fluido da pilha vazar e entrar em contacto com os olhos, pele ou roupa, lave imediatamente com água limpa em abundância. Contacte imediatamente o seu médico em caso de contacto com os olhos ou pele.
57. As baterias são uma unidade selada e em circunstâncias normais não oferecem preocupações de segurança. Na eventualidade de o líquido vazar da bateria, não toque no líquido e siga as seguintes precauções:
  - **Contacto com a pele:** pode causar irritação. Lave com sabão e água.
  - **Inalação:** pode causar irritação respiratória. Apanhe ar fresco e procure aconselhamento médico.
  - **Contacto com os olhos:** pode causar irritação. Lave imediata e abundantemente os olhos com água durante, pelo menos, 15 minutos. Procure assistência médica.



- **Eliminação:** use luvas para manusear a bateria e elimine-a imediatamente, seguindo os despachos e regulamentações locais.
58. **AVISOS:** Durante o carregamento, o produto tem de ser colocado numa zona bem ventilada.
59.  A marcação deste dispositivo (símbolo de um caixote de lixo riscado) está em conformidade com a Diretiva Europeia 2012/19/UE relativa a "equipamentos elétricos e eletrónicos usados". Esta marcação significa que este equipamento, no final da sua vida útil, não pode ser eliminado juntamente com outros resíduos domésticos. O utilizador é obrigado a entregá-lo aos operadores que recolhem o equipamento elétrico e eletrónico usado. Os operadores de recolha, incluindo pontos de recolha locais, lojas e autoridades locais, criam um sistema apropriado para a recolha de equipamento. A recolha adequada de equipamento elétrico e eletrónico usado ajuda a evitar impactos nocivos na saúde humana e no ambiente, resultantes da presença de componentes perigosos, bem como do armazenamento e tratamento inadequados deste equipamento.
60.  As baterias não devem ser eliminadas com o lixo doméstico comum. Recicle-as em pontos de recolha apropriados para este fim. Contacte as autoridades locais ou o seu revendedor se tiver questões sobre a reciclagem. A eliminação correta de pilhas usadas ajuda a proteger o ambiente e a saúde pública.

PT

## 2. ESPECIFICAÇÕES TÉCNICAS

### 2.1. UNIDADE PRINCIPAL

Bateria recarregável	Iões de lítio 21,6 V ---, 2000 mAh (C6) 6INR19/22
Tensão nominal	21,6 V ---
Potência atribuída	150 W
Tensão nominal (cabeça de limpeza motorizada)	25,2 V ---
Potência atribuída (cabeça de limpeza motorizada)	10 W
Célula da bateria	ISR18650-2000; 3,7 V, 2000 mAh
Conjunto da bateria	BP21620H; 21,6 V, 2,0 Ah, 43,2 Wh
Tempo de funcionamento em potência de aspiração baixa	Aproximadamente 15 minutos
Tempo de funcionamento em potência de aspiração alta	Aproximadamente 40 minutos
Tempo de carregamento	4-6 horas
Capacidade do depósito	0,6 L
Nível de potência sonora	80 db
Potência de aspiração	6 kPa, 30 W



## 2.2. ADAPTADOR CA

Nome ou marca registada, número de registo comercial e endereço do fabricante	Jiangsu Midea Cleaning Appliances Co., Ltd No.39 Caohu Avenue, Xiangcheng Economic Development Zone, Suzhou, Jiangsu	
Identificador do modelo	MC2805B-V	-
Tensão de entrada	100-240	V~
Frequência de CA de entrada	50-60	Hz
Tensão de saída	25,0, 29,0	V ---
Corrente de saída	0,5	A
Potência de saída	12,5, 14,5	W
Eficiência ativa média	86,9	%
Eficiência a carga mínima (10%)	73,1	%
Consumo energético sem carga	0,08	W

PT

## 3. DESCRIÇÃO DO PRODUTO

- |  |   |
|--|---|
| 1. Botão de ligar/desligar                 | 12. Luzes indicadoras                               |
| 2. Botão de aspiração Low/High             | 13. Aberturas de ventilação                         |
| 3. Botão de libertação do tubo             | 14. Corpo principal                                 |
| 4. Libertação dobrável                     | 15. Filtro  |
| 5. Botão para libertar o bocal para o chão | 16. Bocal para fendas                               |
| 6. Bocal para o chão                       | 17. Bocal da escova redonda 2 em 1                  |
| 7. Luz LED                                 | 18. Adaptador                                       |
| 8. Pega                                    | 19. Suporte de parede                               |
| 9. Ranhura de carregamento                 | 20. Suporte do cabo                                 |
| 10. Depósito                               | 21. Ferramenta motorizada para animais de estimação |
| 11. Botão para libertar o depósito         |   |

## 4. INSTALAÇÃO

### 4.1. MONTAR O SUPORTE DE PAREDE

O produto está concebido para assentar verticalmente no suporte de parede.

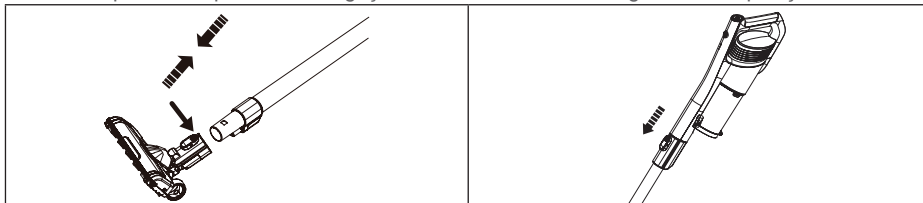
1. Selecione um local de instalação que se encontre perto de uma tomada elétrica.
2. Enfie buchas de plástico nos furos (não incl. no conjunto).
3. Encaixe o suporte de parede na parede e aperte dois parafusos M4x20 (não incluídos).

**Nota:** Não perfure canos ou cabos de alimentação sob a superfície durante a preparação para os furos de montagem. Os pontos de fixação têm de ser capazes de suportar o peso total do produto.



## 4.2. MONTAR O ASPIRADOR VERTICAL

1. Insira o tubo no conector do bocal para o chão, pressionando-o até ouvir um clique, que indica que encaixou de modo seguro na sua posição.
2. Pressione o corpo principal na parte superior do tubo extensível para o inserir até ouvir um clique, que indica que encaixou de modo seguro na sua posição.
3. Certifique-se de que todas as ligações encaixam de modo seguro na sua posição.



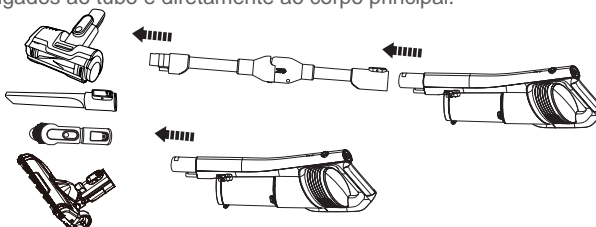
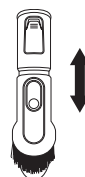
PT

## 4.3. Encaixe e remoção de acessórios

**ATENÇÃO:** Antes de mudar os acessórios, desligue sempre o aspirador.

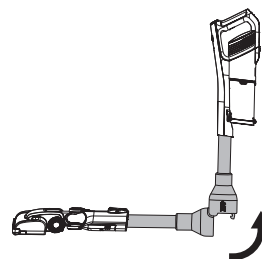
**ATENÇÃO: Risco de lesões!** Nunca aproxime a ranhura do bocal do seu corpo, pois pode colar-se à pele. Se o bocal ficar preso, desligue o aparelho imediatamente.

- Para utilizar o bocal da escova redonda 2 em 1, prima o botão de libertação para destravar e deslize a escova para cima ou para baixo até encaixar na sua posição.
- Todos os quatro acessórios – bocal para fendas, ferramenta motorizada para animais de estimação, bocal da escova redonda 2 em 1 e bocal para o chão – podem ser ligados ao tubo e diretamente ao corpo principal.



## 4.4. DOBRAR O TUBO

Para aceder facilmente a áreas de difícil acesso por baixo do mobiliário, puxe a alavanca de libertação para posicionar o tubo num ângulo menor.





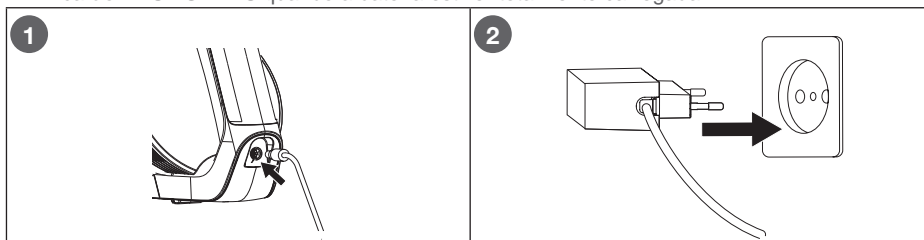
## 5. UTILIZAÇÃO DO PRODUTO

### 5.1. CARREGAMENTO

#### Notas:

- O aparelho não pode ser usado quando está a carregar.
  - Carregue o aparelho quando o indicador do nível de energia da bateria estiver a piscar.
1. Pendure o aparelho no respetivo suporte de parede. Ligue a ponta do carregador à porta de carregamento na parte superior da pega.
  2. Ligue o carregador a uma tomada elétrica.
  3. Durante o carregamento, as barras de luzes indicadoras na pega acendem-se para avisar que é necessário carregar e piscam para indicar que a bateria está a carregar. Todas as luzes ficarão DESLIGADAS quando a bateria estiver totalmente carregada.

PT

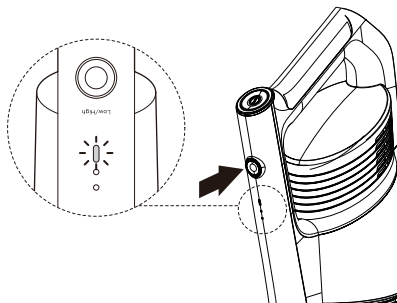


### 5.2. OPERAR O ASPIRADOR

1. Insira o acessório pretendido na abertura de aspiração do tubo ou diretamente no corpo principal.
2. Prima o botão de alimentação para ligar o aparelho.
3. Este aparelho possui potência de aspiração baixa ou alta. Para regular a potência de aspiração, prima o botão de aspiração Low/High. O LED acende-se a branco na velocidade Alta.

**Nota:** Ao ligar o aspirador, a potência de aspiração está definida para Alta.

4. Após acabar de aspirar, prima novamente o botão de alimentação para desligar o aparelho.
5. Esvazie e limpe o depósito. Pendure o aparelho no respetivo suporte de parede.



## 6. MANUTENÇÃO E LIMPEZA

**Nota:** Desligue sempre o aparelho, inclusive da alimentação (se estiver a carregar) antes de mudar os acessórios, limpar ou efetuar a manutenção.

1. Não submerja o aparelho, o cabo de alimentação e adaptador em água ou noutros líquidos.
2. Evite líquidos e materiais corrosivos. Não use quaisquer produtos de limpeza abrasivos, químicos, limpa-vidros, produtos de limpeza universais, agentes desinfetantes ou agentes de manutenção à base de óleo! Estes produtos podem danificar o aparelho.

### 6.1. LIMPAR O CORPO PRINCIPAL E OS ACESSÓRIOS

1. Use um pano húmido e macio para limpar qualquer pó do corpo principal. Preste atenção para não permitir que a água entre no interior do aparelho. Deixe secar completamente antes de usar.
2. Limpe os acessórios com um pano húmido e macio e, se necessário, um pouco de detergente suave. Deixe secar completamente.



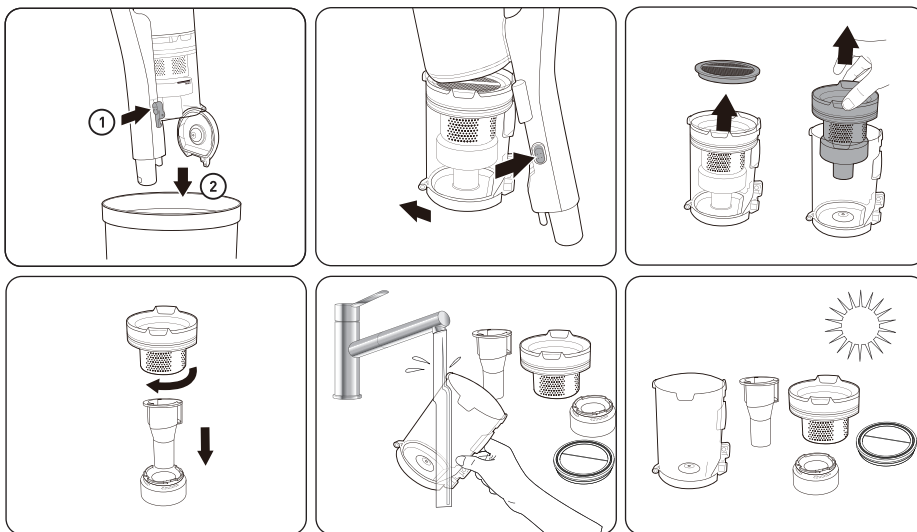




## 6.2. LIMPEZA DO COMPARTIMENTO DO PÓ

1. Por baixo do recipiente do lixo, solte a trava e a tampa abre-se. Esvazie o conteúdo.
2. Puxe com cuidado o filtro e a sua proteção do compartimento do pó no depósito. Esvazie o conteúdo do depósito para um caixote do lixo e limpe-o com um pano húmido, uma escova macia ou passe por água fria, se necessário. Certifique-se de que o compartimento do pó se encontra completamente seco antes de o instalar novamente.
3. Para remover o filtro da proteção do filtro, rode-o no sentido contrário ao dos ponteiros do relógio e puxe-o para cima. Limpe o filtro com um pano seco e uma escova macia. Passe água fria pela parte exterior do filtro e da proteção do filtro até que a água saia limpa, se necessário. Lave o filtro regularmente ou conforme necessário. Coloque o filtro e a proteção do filtro de lado para secarem completamente.
4. Depois de completamente secos, volte a instalar em primeiro lugar a proteção do filtro no compartimento do pó. Coloque-o na proteção do filtro e rode-o no sentido dos ponteiros do relógio para o bloquear na posição. Certifique-se de que está corretamente encaixado. Depois, coloque o filtro na proteção do filtro.
5. Volte a colocar o depósito no corpo principal.

PT

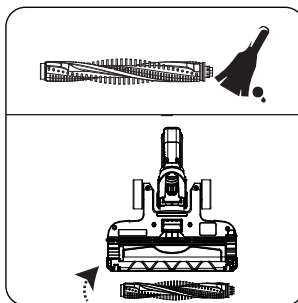
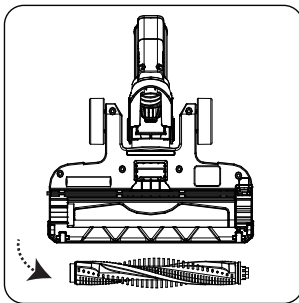
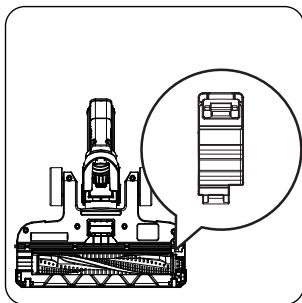


## 6.3. CONSERVAÇÃO DO BOCAL PARA O CHÃO

**Nota:** Se passar por cima de um objeto duro ou afiado ou se notar uma mudança do ruído ao aspirar, verifique se há bloqueios ou objectos presos na escova de rolo.

1. Puxe para baixo a alavanca no topo da placa amovível e retire a placa. Depois retire a escova de rolo.
2. Limpe a escova de rolo e remova qualquer sujidade teimosa. Corte quaisquer fios ou cabelos que tenham ficado enrolados à volta da escova de rolo com uma tesoura. Limpe o compartimento da escova de rolo com um pano suave humedecido. Deixe secar completamente.
3. Volte a inserir a escova de rolo. Para substituir a placa amovível, insira o fundo da mesma no orifício e depois empurre o topo até ouvir um clique, que indica que encaixou na sua posição.









PT

#### 6.4. MANUTENÇÃO DA FERRAMENTA MOTORIZADA PARA ANIMAIS DE ESTIMAÇÃO

**Nota:** Se passar por cima de um objeto duro ou afiado ou se notar uma mudança do ruído ao aspirar, verifique se há bloqueios ou objectos presos na escova de rolo.

1. Para remover a escova de rolo da ferramenta motorizada para animais de estimação, deslize a placa de bloqueio de  para . Puxe suavemente a escova de rolo para fora lateralmente.
2. Limpe a escova de rolo e remova qualquer sujidade teimosa. Corte quaisquer fios ou cabelos que tenham ficado enrolados à volta da escova de rolo com uma tesoura. Limpe o compartimento da escova de rolo com um pano suave humedecido. Deixe secar completamente.
3. Volte a colocar a escova de rolo no seu compartimento até bloquear em segurança no encaixe. Deslize a placa de bloqueio de  para .




# PRZEGLĄD TREŚCI

1. INSTRUKCJE BEZPIECZEŃSTWA	S. 43
2. SPECYFIKACJA TECHNICZNA	S. 48
3. OPIS PRODUKTU	S. 49
4. INSTALACJA	S. 49
5. KORZYSTANIE Z PRODUKTU	S. 50
6. KONSERWACJA I CZYSZCZENIE	S. 50

PL

## 1. INSTRUKCJE BEZPIECZEŃSTWA

Przed użyciem urządzenia należy dokładnie przeczytać niniejszą instrukcję obsługi i zachować ją w celu skorzystania w przyszłości.

1. Niniejsze urządzenie może być użytkowane przez dzieci w wieku powyżej 8 lat oraz osoby posiadające obniżone zdolności fizyczne, sensoryczne lub mentalne bądź nieposiadające doświadczenia i wiedzy, pod warunkiem zapewnienia nadzoru i udzielenia wskazówek dotyczących bezpiecznego użytkowania urządzenia oraz objaśnienia powiązanych zagrożeń.
2. Dzieci nie powinny bawić się urządzeniem.
3. Czyszczenie i konserwacja dokonywane przez dzieci nie powinny odbywać się bez nadzoru.
4. Aby uniknąć zagrożenia w przypadku uszkodzenia przewodu zasilającego, musi zostać on wymieniony przez producenta, serwisanta lub osobę posiadającą podobne kwalifikacje.
5. Urządzenie może być używane wyłącznie z zasilaczem, który został dostarczony wraz z urządzeniem.
6.  **OSTRZEŻENIE:** Aby naładować baterię, korzystać wyłącznie z odłączanego zasilacza (MC2805B-V) dostarczonego z urządzeniem.
7. **OSTRZEŻENIE:** Ta ładowarka może naładować wyłącznie ten konkretny odkurzacz. NIE używaj tej ładowarki do ładowania innych urządzeń!
8. Urządzenie zawiera baterie, które mogą być wymienione wyłącznie przez osobę posiadającą odpowiednie umiejętności.
9. Przed czyszczeniem lub konserwacją urządzenia należy odłączyć wtyczkę od gniazda zasilania.
10. Konieczne jest podjęcie środków ostrożności podczas konserwacji przez użytkownika. Informacje na temat czyszczenia i konserwacji urządzenia zamieszczone są w sekcji „**KONSERWACJA I CZYSZCZENIE**”.



11. **OSTROŻNIE:** Wyłącznie do użytku domowego, wewnątrz pomieszczeń! Nie używać urządzenia na zewnątrz.
12. Wyłączyć urządzenie przed wymianą akcesoriów.
13. Nie używać urządzenia, jeśli zostało ono upuszczone, jeśli nosi widoczne ślady uszkodzenia lub jeżeli akumulator przecieka.
14. Nie należy zbliżać włosów, luźnej odzieży, palców i innych części ciała do otworów urządzenia.
15. **OSTRZEŻENIE:** Nigdy nie używać urządzenia bez filtra. Optymalne zbieranie pyłu jest możliwe tylko przy czystym filtrze i pustym pojemniku na kurz.
16. Nie używać żadnych akcesoriów innych niż te dołączone przez producenta, aby uniknąć uszkodzenia urządzenia i/lub spowodowania obrażeń.
17. Informacje na temat ładowania zamieszczone są w rozdziale **5.1. ŁADOWANIE BATERII.**
18. **2. SPECYFIKACJA TECHNICZNA,** gdzie zamieszczone są informacje o typie akumulatorów.
19. Przed dotknięciem wtyczki lub włączeniem urządzenia zawsze upewnij się, że masz suche dłonie.
20. Nigdy nie należy obsługiwać odkurzacza pionowego i jego stacji ładującej wilgotnymi lub mokrymi rękami.
21. Nie używać uszkodzonego kabla zasilającego, wtyczki ani obluzowanego gniazda sieciowego.
22. Przed użyciem całkowicie rozwinąć kabel zasilający. Nie należy ładować urządzenia, gdy kabel zasilający jest zwinięty, ponieważ może to spowodować przegrzanie. Nie należy zginać, rozciągać ani ciągnąć za kabel zasilający, aby uniknąć porażenia prądem.
23. Nie należy prowadzić kabla zasilającego nad ostrymi krawędziami.
24. Nie wolno dopuścić, aby kabel zasilający zwisał z krawędzi, dotykał gorących powierzchni lub był zaplątany. Nie umieszczać na kablu zasilającym ciężkich przedmiotów, które mogłyby go uszkodzić.
25. Nigdy nie należy wyciągać wtyczki z gniazdka za pomocą kabla zasilającego, ani nie należy ciągnąć za kabel zasilający, aby manewrować urządzeniem.
26. Przed podłączeniem do gniazdka upewnić się, że na wtyczce nie ma kurzu ani wody.
27. Podłączyć wtyczkę kabla zasilającego do łatwo dostępnego gniazdka, aby w sytuacji awaryjnej móc szybko odłączyć urządzenie od sieci zasilającej.
28. Ze względów bezpieczeństwa zaleca się podłączenie urządzenia bezpośrednio do niezależnego gniazda elektrycznego na dedykowanym obwodzie, oddzielnym od innych urządzeń. Jeśli obwód elektryczny jest przeciążony innymi urządzeniami,

PL



- urządzenie może nie działać prawidłowo. Nie zaleca się stosowania w połączeniu z listwą zasilającą lub przedłużaczem.
29. Nie pozostawiać kabla zasilającego na otwartej przestrzeni na podłodze.
  30. Zawsze umieszczać kabel zasilający tak, aby nikt nie mógł się o niego potknąć ani w niego zaplątać.
  31. Nie zanurzać urządzenia w wodzie. Nie korzystać z urządzenia w pobliżu wody.
  32. Nie korzystać z urządzenia, jeśli wpadło do wody lub innej cieczy. Zlecić sprawdzenie urządzenia wykwalifikowanemu serwisantowi.
  33. Nie narażać na działanie deszczu, wilgotnych ani mokrych warunków.
  34. Nie umieszczać urządzenia w miejscu narażonym na bezpośrednie działanie promieni słonecznych lub w zamkniętej przestrzeni, gdzie wentylacja jest ograniczona, lub gdzie znajdują się inne źródła ciepła.
  35. Nie uruchamiać urządzenia, jeśli jest ono widocznie uszkodzone.
  36. Zaleca się regularne sprawdzanie urządzenia.
  37. Przed pierwszym użyciem urządzenia usunąć i bezpiecznie wyrzucić wszelkie materiały opakowaniowe oraz etykiety promocyjne. Nie usuwać tabliczek znamionowych ani informacji dotyczących bezpieczeństwa!
  38. Odkurzacze ręczne należy przechowywać i obsługiwać wyłącznie w temperaturze pokojowej. Zabrania się stosowania produktu w skrajnie niskich (poniżej 0°C) lub wysokich (powyżej 40°C) temperaturach.
  39. Nigdy nie używać do zbierania niczego, co się dymi lub pali, np. papierosów, gorących popiołów lub zapalek.
  40. Nigdy nie używać do zbierania łatwopalnych lub palnych cieczy, takich jak spirytus metylowy, benzyna, aceton itp. ani nie używać na obszarze, gdzie mogą one występować.
  41. Nigdy nie używać do zbierania ostrych i twardych przedmiotów, takich jak kawałki szkła, odłamki metali, monety, gwoździe, śruby itp.
  42. Nigdy nie używać do zbierania materiałów żrących lub toksycznych, takich jak kwasy mineralne, roztwory alkaliczne, utleniacze, środki do czyszczenia kanalizacji, wybielacze chlorowe, amoniak itp.
  43. Nigdy nie używać w zamkniętej przestrzeni wypełnionej oparami farb olejnych, środków przeciw molom, rozcieńczalników do farb, łatwopalnych pyłów lub innymi toksycznymi lub wybuchowymi oparami.
  44. Nie używać urządzenia do odkurzania jakichkolwiek płynów lub mokrych zanieczyszczeń.





45. Unikać używania odkurzacza ręcznego w miejscach, gdzie na podłodze znajdują się lampy biurkowe i świece, a także w miejscach, gdzie znajduje się benzyna, alkohol destylowany, rozcieńczalniki, popielniczki z palącymi się papierosami itp.
46. Nie wolno zwiercać terminali ładowania za pomocą metalowych przedmiotów, takich jak śrubokręty itp.
47. **OSTROŻNIE:** Pod żadnym pozorem nie wolno otwierać obudowy. Nigdy nie wolno jest wkładać palców ani żadnych obcych przedmiotów do otworów w urządzeniu ani zatykać otworów wentylacyjnych. Otwory wentylacyjne powinny być drożne, aby urządzenie pracowało prawidłowo i aby zapobiec niebezpiecznemu przegrzaniu. Nie należy przykrywać urządzenia.
48. Przed każdym użyciem upewnić się, że otwory są wolne od kurzu, włosów, kłaczek i wszystkiego, co może ograniczać przepływ powietrza.
49. Naprawy mogą być wykonywane wyłącznie przez autoryzowanych techników. Użytkownicy lub inne nieupoważnione osoby nie powinny podejmować prób naprawy lub demontażu produktu. Niewłaściwe naprawy mogą spowodować poważne zagrożenia.
50. Napięcie zasilania powinno być takie samo, jak podane w specyfikacji technicznej i na tabliczce znamionowej urządzenia.
51. Należy sprawdzić, czy odkurzacz nie jest uszkodzony. **NIE** używać, jeśli jest uszkodzony.
52. Jeśli styki części wtykowych są uszkodzone, zasilacz wtykowy należy zutylizować.

#### 1.1. ZALECENIA DOTYCZĄCE BEZPIECZEŃSTWA BATERII

53. **OSTRZEŻENIA:** Pionowy odkurzacz zawiera niewymienne akumulatory. Zużytych baterii nie wolno utylizować wraz z odpadami z gospodarstwa domowego. Przed utylizacją urządzenia należy wyjąć z niego akumulatory. Aby usunąć akumulatory, należy zabrać urządzenie do wyznaczonego punktu utylizacji/zbiórki odpadów. Dla własnego bezpieczeństwa nie wolno podejmować prób samodzielnego wyjęcia akumulatorów. Jeśli akumulatory nie zostaną prawidłowo wyjęte, może to doprowadzić do uszkodzenia akumulatorów i urządzenia, spowodować obrażenia ciała i/lub sprawić, że urządzenie nie będzie bezpieczne.
54. Pozostawienie baterii w otoczeniu o ekstremalnie wysokiej temperaturze może spowodować wybuch, wyciek palnej cieczy lub ulatnianie się palnego gazu.
55. Poddanie baterii oddziaływaniu ekstremalnie niskiego ciśnienia powietrza może spowodować wybuch lub wyciek łatwopalnej cieczy lub gazu.



56. W przypadku wycieku elektrolitu z baterii i kontaktu z oczami, skórą czy ubraniem należy natychmiast przemyć je lub przepłukać sporą ilością czystej wody. W razie kontaktu z oczami lub skórą należy bezzwłocznie skontaktować się z lekarzem.
57. Akumulatory są szczelnie zamknięte i w normalnych warunkach nie stanowią zagrożenia dla bezpieczeństwa. W mało prawdopodobnym przypadku wycieku płynu z akumulatora nie należy dotykać płynu i należy przestrzegać następujących środków ostrożności:
- **Kontakt ze skórą:** może powodować podrażnienia. Umyć wodą z mydłem.
  - **Wdychanie:** może powodować podrażnienie dróg oddechowych. Wyjść na świeże powietrze i zasięgnąć porady lekarza.
  - **Kontakt z oczami:** może powodować podrażnienia. Natychmiast dokładnie przepłukać oczy wodą przez co najmniej 15 minut. Zasięgnąć porady lekarza.
  - **Utylizacja:** do obsługi akumulatora należy nosić rękawice, które należy natychmiast zutylizować zgodnie z lokalnymi przepisami.
58. **OSTRZEŻENIA:** Podczas ładowania produkt musi znajdować się w miejscu posiadającym dobrą wentylację.
59. Oznaczenie urządzenia (symbol przekreślonego pojemnika na odpady) jest zgodne z dyrektywą europejską 2012/19/UE w sprawie „zużytego sprzętu elektrycznego i elektronicznego”. Takie oznakowanie oznacza, że po zakończeniu okresu użytkowania urządzenia nie można wyrzucić wraz z innymi odpadami gospodarstwa domowego.  Użytkownik jest zobowiązany do dostarczenia urządzenia odpowiednim służbom, które zajmują się zbieraniem zużytego sprzętu elektrycznego i elektronicznego. Służby odpowiedzialne za zbiórkę takiego sprzętu, w tym lokalne punkty zbiórki, sklepy i organy lokalne, tworzą odpowiedni system zbierania sprzętu. Odpowiednia zbiórka zużytego sprzętu elektrycznego i elektronicznego pomaga uniknąć szkodliwego wpływu na zdrowie ludzkie i środowisko, wynikającego z obecności niebezpiecznych składników, a także z niewłaściwego przechowywania i obróbki takiego sprzętu.
60. Baterii nie można utylizować wraz z normalnymi odpadami gospodarstw domowych. Należy je dostarczyć do wyznaczonego punktu selektywnej zbiórki elektrośmieci.  Skontaktuj się z władzami samorządowymi lub sprzedawcą, aby dowiedzieć się, jak zutylizować produkt. Właściwa utylizacja zużytych baterii pomaga chronić środowisko naturalne i zdrowie ludzkie.



## 2. SPECYFIKACJA TECHNICZNA

### 2.1. JEDNOSTKA GŁÓWNA

Bateria wielokrotnego ładowania	Litowo-jonowy 21,6 V ---, 2000 mAh (C6) 6INR19/22
Napięcie znamionowe	21,6 V ---
Moc znamionowa	150 W
Napięcie znamionowe (zmotoryzowana głowica czyszcząca)	25,2 V ---
Moc znamionowa (zmotoryzowana głowica czyszcząca)	10 W
Ogniwo akumulatora	ISR18650-2000; 3,7 V, 2000 mAh
Pakiet akumulatorów	BP21620H; 21,6 V, 2,0 Ah, 43,2 Wh
Czas pracy przy niskiej mocy ssania	Około 15 minut
Czas pracy przy wysokiej mocy ssania	Około 40 minut
Czas ładowania	4–6 godzin
Pojemność pojemnika na kurz	0,6 L
Poziom mocy akustycznej	80 dB
Moc ssania	6 kPa, 30 W

PL

### 2.2. ZASILACZ PRĄDU PRZEMIENNEGO

Nazwa producenta lub znak handlowy, numer identyfikacyjny firmy i jej adres	Jiangsu Midea Cleaning Appliances Co., Ltd No.39 Caohu Avenue, Xiangcheng Economic Development Zone, Suzhou, Jiangsu	
Oznaczenie modelu	MC2805B-V	-
Prąd wejściowy	100–240	V~
Częstotliwość prądu wejściowego (AC)	50–60	Hz
Napięcie wyjściowe	25,0, 29,0	V ---
Prąd wyjściowy	0,5	A
Moc wyjściowa	12,5, 14,5	W
Średnia wydajność podczas pracy	86,9	%
Wydajność przy niskim obciążeniu (10%)	73,1	%
Pobór prądu bez obciążenia	0,08	W





### 3. OPIS PRODUKTU

- |   |   |
|---|---|
| 1. Przycisk zasilania                     | 12. Lampki kontrolne                            |
| 2. Przycisk mocy ssania Low/High          | 13. Otwory wentylacyjne                         |
| 3. Przycisk zwalniający rurę              | 14. Główny korpus                               |
| 4. Składany zwalniacz                     | 15. Filtr                                       |
| 5. Przycisk odłączania dyszy podłogowej   | 16. Ssawka szczelinowa                          |
| 6. Ssawka do podłóg                       | 17. Okrągła dysza szczotkowa 2-w-1              |
| 7. Diody LED                              | 18. Zasilacz                                    |
| 8. Uchwyt                                 | 19. Uchwyt ścienny                              |
| 9. Gniazdo do ładowania                   | 20. Uchwyt na przewód                           |
| 10. Pojemnik na kurz                      | 21. Zmotoryzowana szczotka do zbierania sierści |
| 11. Przycisk zwalniania pojemnika na kurz |   |

PL

### 4. INSTALACJA

#### 4.1. MONTAŻ UCHWYTU ŚCIENNEGO

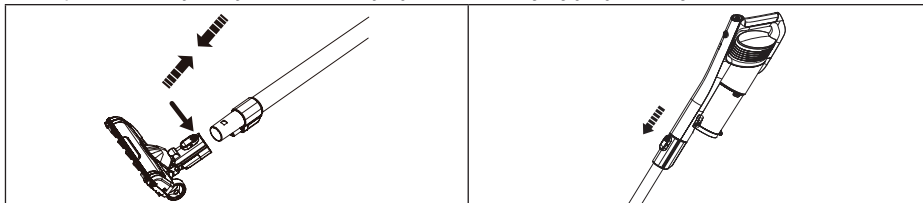
Produkt jest przeznaczony do montażu na uchwycie ściennym w pozycji pionowej.

1. Wybierz miejsce montażu znajdujące się w pobliżu gniazda elektrycznego.
2. Włożyć plastikowe kołnierze w otwory (poza zakresem dostawy).
3. Przycumować uchwyt ścienny do ściany i dokręcić dwie śruby M4x20 (śrub nie ma w zestawie).

**Uwaga:** Podczas wiercenia otworów montażowych nie wolno wiercić w rurach ani przewodach znajdujących się pod powierzchnią. Punkty mocowania muszą wytrzymać całkowity ciężar produktu.

#### 4.2. MONTAŻ ODKURZACZA RĘCZNEGO

1. Włożyć rurę w złącze dyszy podłogowej, wpychając ją aż do momentu zatrzaśnięcia.
2. Włożyć główny korpus do górnej części rury, wpychając go aż do momentu zatrzaśnięcia.
3. Sprawdzić, czy wszystkie elementy łączeniowe znajdują się na miejscu.

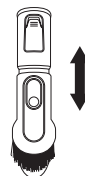
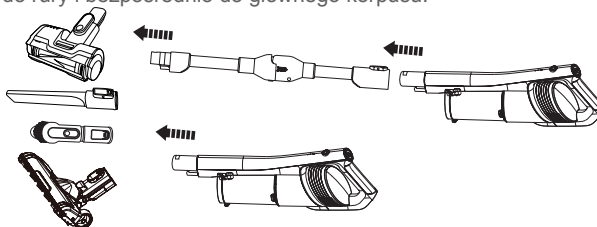


#### 4.3. Montaż i demontaż akcesoriów

**OSTROŻNIE:** Przed wymianą akcesoriów należy zawsze najpierw wyłączyć odkurzacz.

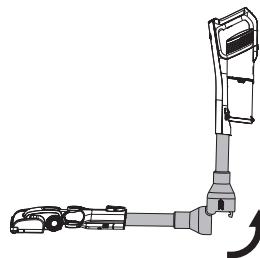
**OSTROŻNIE: Niebezpieczeństwo obrażeń!** Nigdy nie należy trzymać ssawki szczelinowej blisko ciała, ponieważ może się ona przyssać do skóry. W przypadku zablokowania się ssawki należy natychmiast wyłączyć urządzenie.

- Aby użyć okrągłej dyszy szczotkowej 2 w 1, należy nacisnąć przycisk zwalniający w celu odblokowania i przesunąć szczotkę w górę lub w dół, aż zaskoczy na swoje miejsce.
- Wszystkie cztery akcesoria: ssawka szczelinowa, zmotoryzowana szczotka do zbierania sierści, okrągła dysza szczotkowa 2 w 1 i ssawka do podłóg mogą być podłączone do rury i bezpośrednio do głównego korpusu.



#### 4.4. SKŁADANIE RURY

Aby łatwo dotrzeć do trudno dostępnych miejsc pod meblami, należy pociągnąć dźwignię zwalniającą w górę, aby ustawić rurę pod niższym kątem.



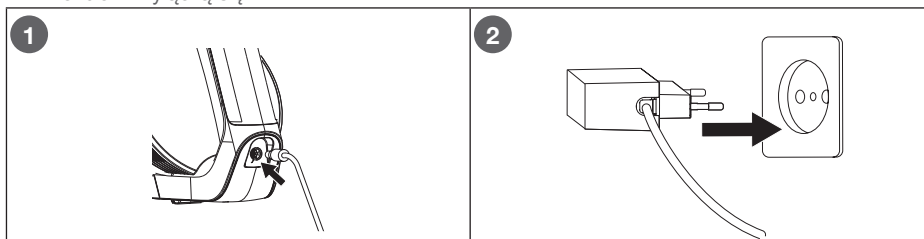
### 5. KORZYSTANIE Z PRODUKTU

PL

#### 5.1. ŁADOWANIE BATERII

**Uwagi:**

- Urządzenie nie może być używane podczas ładowania.
  - Urządzenie należy naładować, gdy wskaźnik mocy zacznie migać.
1. Zawiesić urządzenie na uchwycie ściennym. Podłączyć końcówkę ładowarki do portu ładowania u góry uchwytu.
  2. Podłączyć ładowarkę do gniazda ściennego.
  3. Podczas ładowania paski wskaźnika na uchwycie będą się podświetlać zgodnie ze stanem naładowania i migać, gdy akumulator będzie ładowany. Po pełnym naładowaniu wszystkie kontrolki wyłączą się.

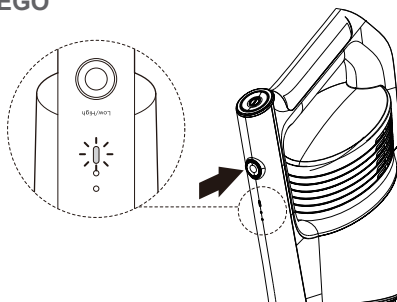


#### 5.2. KORZYSTANIE Z ODKURZACZA RĘCZNEGO

1. Włożyć wybrane akcesorium do otworu ssawnego rury lub bezpośrednio do korpusu głównego.
2. Nacisnąć przycisk zasilania, aby włączyć urządzenie.
3. Urządzenie to ma niską i wysoką moc ssania. Aby regulować moc ssania, należy nacisnąć przycisk Low/High mocy ssania. Dioda LED będzie świecić na biało, gdy moc ssania będzie wysoka (High).

**Uwaga:** Po włączeniu odkurzacza domyślna moc ssania jest ustawiona na wysoką.

4. Po zakończeniu odkurzania nacisnąć ponownie przycisk zasilania, aby wyłączyć urządzenie.
5. Opróżnić i wyczyścić pojemnik na kurz. Zawiesić urządzenie na uchwycie ściennym.



## 6. KONSERWACJA I CZYSZCZENIE

**Uwaga:** Przed wymianą akcesoriów, czyszczeniem lub konserwacją zawsze wyłączać urządzenie i odłączać je od źródła zasilania (jeśli jest ładowane).

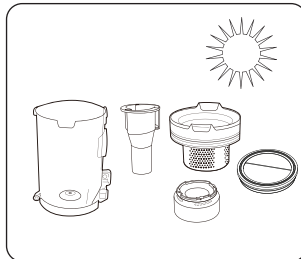
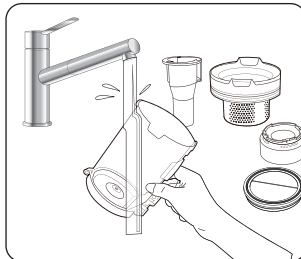
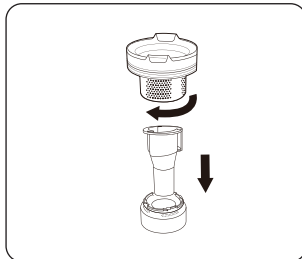
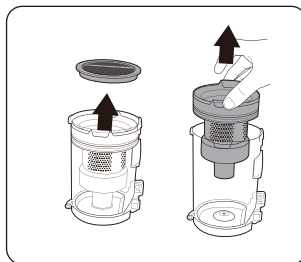
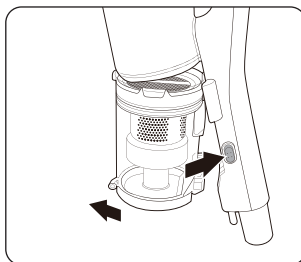
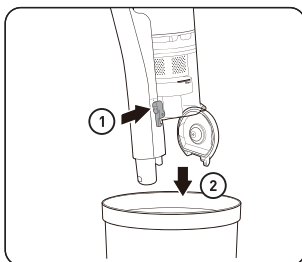
1. Nie należy zanurzać urządzenia, kabla zasilającego ani zasilacza w wodzie ani żadnym innym płynie.
2. Unikać kontaktu z cieczami i materiałami powodującymi korozję. Nie używać żadnych środków czyszczących o właściwościach ściernych, chemikaliów, środków do czyszczenia szkła, uniwersalnych środków czyszczących, środków dezynfekujących ani środków konserwujących na bazie oleju! Te produkty mogą uszkodzić urządzenie.

### 6.1. CZYSZCZENIE KORPUSU I AKCESORIÓW

1. Wszelkie zabrudzenia należy ścierać z korpusu za pomocą miękkiej, wilgotnej szmatki. Zwracać uwagę, żeby woda nie dostała się do wnętrza urządzenia. Poczekać, aż urządzenie całkowicie wyschnie przed użyciem.
2. Akcesoria przecierać miękką, wilgotną szmatką i, jeśli to konieczne, odrobiną łagodnego detergentu. Poczekać, aż całkowicie wyschną.

### 6.2. CZYSZCZENIE POJEMNIKA NA KURZ

1. Pod pojemnikiem należy odczepić zatrzask, a pokrywa otworzy się. Opróżnić zawartość.
2. Delikatnie wyciągnąć filtr i jego osłonę z pojemnika na kurz nad koszem na śmieci. Opróżnić zawartość pojemnika na kurz do kosza na śmieci i wyczyścić go wilgotną szmatką, miękką szczotką lub w razie potrzeby spłukać zimną wodą. Przed zamontowaniem upewnić się, że pojemnik na kurz jest zupełnie suchy.
3. Wyjąć filtr z osłony filtra; w tym celu obrócić go przeciwnie do kierunku ruchu wskazówek zegara i podnieść do góry. Wyczyścić filtr za pomocą suchej szmatki lub miękkiej szczotki. W razie potrzeby spłukać zewnętrzną stronę filtra i osłony filtra zimną wodą, aż woda będzie czysta. Filtr należy myć regularnie lub w razie potrzeby. Położyć filtr i osłonę filtra na boku, aby całkowicie wyschły.
4. Po całkowitym wyschnięciu należy ponownie zamontować osłonę filtra w pojemniku na kurz. Włożyć filtr w osłonę filtra i zablokować go na miejscu poprzez przekręcenie go zgodnie z kierunkiem ruchu wskazówek zegara. Należy się upewnić, że jest prawidłowo zamontowana. Następnie należy włożyć filtr do osłony filtra.
5. Ponownie zamocować pojemnik na kurz w korpusie głównym.



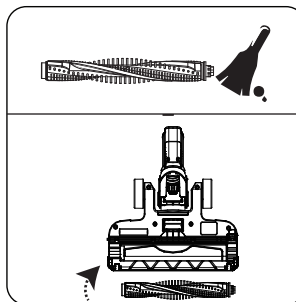
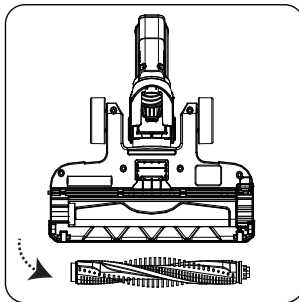
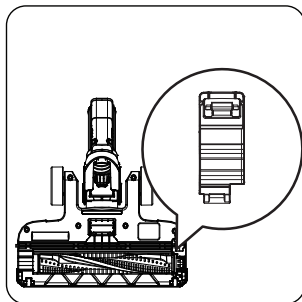
PL



### 6.3. KONSERWACJA DYSZY PODŁOGOWEJ

**Uwaga:** W razie najechania na twardy lub ostry przedmiot lub zauważenia zmiany wydawanego dźwięku, należy sprawdzić szczotkę obrotową pod kątem zatorów lub pochwyconych przedmiotów.

1. Pociągnąć w dół dźwignię na górze zdejmowanej płyty i wyjąć płytę. Następnie wyjąć szczotkę obrotową.
2. Oczyszczyć szczotkę obrotową i usunąć wszelki zalegający brud. Użyć nożyczek w celu odcięcia wszelkich nici lub włosów, które nawinęły się wokół szczotki obrotowej. Przetrzeć przedział szczotki obrotowej miękką, wilgotną szmatką. Poczekać, aż całkowicie wyschnie.
3. Włożyć ponownie szczotkę obrotową. Aby wymienić zdejmowaną płytkę, należy włożyć jej dolną część do otworu, a następnie wcisnąć jej górną część, aż zatrzaśnie się na swoim miejscu.



PL

### 6.4. KONSERWACJA ZMOTORYZOWANEJ SZCZOTKI DO ZBIERANIA SIERŚCI

**Uwaga:** W razie najechania na twardy lub ostry przedmiot lub zauważenia zmiany wydawanego dźwięku, należy sprawdzić szczotkę obrotową pod kątem zatorów lub pochwyconych przedmiotów.

1. Aby wyjąć szczotkę obrotową ze zmotoryzowanej szczotki do zbierania sierści, należy wysunąć płytkę blokującą z 1 do 2. Delikatnie wyciągnąć szczotkę obrotową z boku.
2. Oczyszczyć szczotkę obrotową i usunąć wszelki zalegający brud. Użyć nożyczek w celu odcięcia wszelkich nici lub włosów, które nawinęły się wokół szczotki obrotowej. Przetrzeć przedział szczotki obrotowej miękką, wilgotną szmatką. Poczekać, aż całkowicie wyschnie.
3. Włożyć szczotkę obrotową do jej przedziału w taki sposób, aby zablokowała się na miejscu. Wysunąć płytkę blokującą z 2 do 1.



# A TARTALOM ÁTTEKINTÉSE

1. BIZTONSÁGI UTASÍTÁSOK	53. o.
2. MŰSZAKI ADATOK	57. o.
3. TERMÉKLEÍRÁS	58. o.
4. ÜZEMBE HELYEZÉS	58. o.
5. A TERMÉK HASZNÁLATA	60. o.
6. KARBANTARTÁS ÉS TISZTÍTÁS	60. o.

## 1. BIZTONSÁGI UTASÍTÁSOK

HU

A termék használata előtt olvassa el figyelmesen az alábbi utasításokat, és őrizze meg a használati útmutatót, mert később is szüksége lehet rá.

1. A készüléket nyolc évesnél idősebb gyerekek, korlátozott fizikai, érzékszervi vagy mentális képességű személyek, valamint megfelelő tudással vagy ismeretekkel nem rendelkező személyek kizárólag felügyelet mellett, illetve abban az esetben használhatják, ha a készülék biztonságos kezeléséről tájékoztatást kaptak, és tisztában vannak az ahhoz kapcsolódó kockázatokkal.
2. A gyermekek nem játszhatnak a készülékkel.
3. A készülék tisztítását és felhasználói karbantartását gyerekek felügyelet nélkül nem végezhetik.
4. Ha a tápkábel sérült, a balesetek elkerülése érdekében a gyártónak, az értékesítés utáni szervizszolgáltató cég képviselőjének, vagy hasonlóan képzett szakembernek kell kicserélnie.
5. A készülék csak a mellékelt tápegységgel használható.
6.  **FIGYELMEZTETÉS:** Az akkumulátor feltöltéséhez csak a készülékhez mellékelt leválasztható tápegységet (MC2805B-V) használja.
7. **FIGYELMEZTETÉS:** Ez az akkumulátortöltő kizárólag ezt a konkrét porszívót tudja tölteni. NE használja ezt az akkumulátortöltőt más termékek töltésére!
8. A készülék olyan akkumulátorokat tartalmaz, amelyek cseréjét csak szakember végezheti.
9. A készülék tisztítása és karbantartása előtt ki kell húzni a csatlakozódugaszt az elektromos aljzatból.
10. A felhasználói karbantartás során tegyen óvintézkedéseket. A „**KARBANTARTÁS ÉS TISZTÍTÁS**” részben találja a karbantartásra és tisztításra vonatkozó utasításokat.
11. **FIGYELEM:** Kizárólag háztartási, beltéri használatra. Kültéren ne használja a készüléket.



12. Kapcsolja ki a készüléket a tartozékok cseréje előtt.
13. Ha a készüléket leejtették, akkor ne használja. Ne használja akkor sem, ha látható sérülés van rajta, vagy az újratölthető akkumulátor szivárog.
14. Ügyeljen arra, hogy haj, laza ruházat, ujjak és más testrészek ne kerüljenek a nyílások közelébe.
15. **FIGYELMEZTETÉS:** Soha ne használja a készüléket szűrő nélkül. Optimális porgyűjésre csak tiszta szűrővel és üres porgyűjtővel kerülhet sor.
16. Csak a gyártó által mellékelte tartozékokat használja, hogy ne okozzon kárt a készülékben, és/vagy elkerülje a személyi sérülést.
17. Olvassa el a **5.1. TÖLTÉS** című részt a töltésre vonatkozó információkért.
18. **2. MŰSZAKI ADATOK** részben.
19. A csatlakozódugóhoz és a készülék kapcsolójához csak száraz kézzel nyúljon.
20. Soha ne fogja meg a kézi porszívót vagy a töltőállomást nedves vagy vizes kézzel.
21. Ne használjon sérült tápkábelt, csatlakozódugaszt vagy kilazult elektromos aljzatot.
22. A tápkábelt használat előtt teljesen tekerje le. Feltekert tápkábellel ne használja a készüléket, mert ez a túlmelegedését okozhatja. Az áramütés elkerülése érdekében ne hajlítsa, nyújtsa vagy húzza meg a tápkábelt.
23. Ne vezesse a tápkábelt éles széleken keresztül.
24. Ügyeljen rá, hogy a tápkábel ne lógjon le a felület szélén, ne érintkezzen forró felületekkel, és ne gubancolódjon össze. Ne helyezzen olyan nehéz tárgyat a tápkábelre, amely megtörheti.
25. A csatlakozódugaszt soha ne húzza ki a hálózati aljzathoz a kábelénél fogva, és ne húzza a készüléket a tápkábelénél.
26. Mielőtt csatlakoztatja a csatlakozódugaszt a fali aljzatba, ellenőrizze, hogy nincs-e por vagy víz a csatlakozódugason.
27. A csatlakozódugaszt egy könnyen elérhető csatlakozóaljzathoz csatlakoztassa, hogy a készüléket szükség esetén gyorsan le lehessen választani az elektromos hálózatról.
28. Biztonsági okokból azt ajánljuk, hogy a készüléket közvetlenül saját csatlakozóaljzatába dugja be, egy saját, más készülékektől elkülönített áramkörön. Ha az elektromos áramkör túl van terhelve más készülékekkel, előfordulhat, hogy a kancsó nem működik megfelelően. Elektromos elosztó vagy hosszabbítókábel használata nem javasolt.
29. Ne hagyja a tápkábelt szabadon a padlón.
30. A tápkábelt mindig úgy helyezze el, hogy ne okozzon botlásveszélyt, és ne lehessen belegabalyodni.

HU



31. Ne merítse a készüléket vízbe. Ne használja a készüléket víz közelében.
32. Ne használja a készüléket, ha vízbe vagy más folyadékba esett. Ilyenkor vizsgáltassa át egy képzett szerelővel.
33. Ne tegye ki a készüléket esőnek, nedvességnek vagy nedves környezetnek.
34. Ne helyezze a készüléket közvetlen napfényre vagy olyan zárt területre, ahol a szellőzés korlátozott mértékű, vagy ahol más hőforrások találhatóak.
35. Ne használja a készüléket, ha láthatóan sérült.
36. Javasolt a készülék rendszeres ellenőrzése.
37. A készülék első használata előtt távolítsa el a csomagolóanyagot és a címkéket, és gondoskodjon ezek biztonságos hulladékkezeléséről. Ne távolítsa el az adatképeket és a biztonsági információkat!
38. A porszívót csak szobahőmérsékletű környezetben tárolja és használja. A termék használata rendkívül alacsony (0°C alatti) vagy magas (40°C feletti) hőmérsékleten tilos.
39. Soha ne porszívózzon fel semmit, ami füstöl vagy ég, például cigarettát, forró hamut vagy gyufát.
40. Soha ne használja gyúlékony vagy éghető folyadékok, például metilalkohol, benzin, aceton stb. felszívására, és ne használja olyan területen, ahol ilyen anyagok lehetnek jelen.
41. Soha ne használja éles és kemény tárgyak, például üvegdarabok, fémforgácsok, érmék, szögek, csavarok stb. porszívózására.
42. Soha ne használja maró vagy mérgező anyagok, például ásványi savak, lúgos oldatok, oxidálószer, lefolyótisztító, klóros fehérítő, ammónia stb. felszívására.
43. Soha ne használja zárt térben, ahol olajfesték, molyirtó, hígító, gyúlékony por vagy más mérgező, vagy robbanásveszélyes gőzök szabadulnak fel.
44. Ne használja a készüléket víz, bármilyen más folyadék vagy nedves szennyeződés felszívására.
45. Kerülje a porszívó használatát olyan helyeken, ahol asztali lámpák és gyertyák vannak, valamint olyan helyeken, ahol benzin, desztillált alkohol, hígító, égő cigarettát tartalmazó hamutartó stb. található.
46. Soha ne zárja rövidre a töltőérintkezőket fémtárgyakkal, például csavarhúzóval stb.
47. **FIGYELEM:** Semmilyen körülmények között ne nyissa fel a burkolatot. Soha ne dugja az ujját vagy bármilyen tárgyat a készülék egyik nyílásába sem, és ne takarja el a szellőzőnyílásokat. A készülék szellőzőnyílásait szabadon kell tartani, hogy a készülék megfelelően működhessen, és elkerülhesse a veszélyes túlmelegedést. Ne takarja le a készüléket.

48. Minden használat előtt győződjön meg arról, hogy a nyílások nem tartalmaznak port, szőrszalakat, szöszöket vagy bármit, ami a légáramlást akadályozhatja.
49. A készüléket csak szakember javíthatja. Felhasználók vagy más arra fel nem hatalmazott személyek ne kíséreljék meg megjavítani vagy szétszerelni a terméket. A helytelen szervizelés jelentős veszélyeket okozhat.
50. A tápfeszültség egyezzen meg a műszaki adatokban és a készülék adattábláján látható adatokkal.
51. Győződjön meg róla, hogy a porszívó sérülésmentes. **NE** használja porszívót, ha meghibásodott.
52. Ha a hálózati dugasz csatlakozóvillái megsérültek, selejtezze le.

HU

### 1.1. AKKUMULÁTORRAL KAPCSOLATOS BIZTONSÁGI ELŐÍRÁSOK

53. **FIGYELMEZTETÉSEK:** A kézi porszívó nem cserélhető akkumulátorokat tartalmaz. Ne helyezze a használt akkumulátorokat a háztartási hulladékba. A készülék hulladékkezelése előtt el kell távolítani az akkumulátorokat a készülékből. Az akkumulátor eltávolításához vigye a készüléket a kijelölt hulladéklerakó/-gyűjtő helyre. Biztonsága érdekében ne próbálja meg saját kezűleg eltávolítani az akkumulátorokat. Az akkumulátorok nem megfelelő eltávolítása az akkumulátorok és a készülék károsodásához vezethet, személyi sérülést okozhat, és/vagy a készülék nem biztonságos használatát eredményezheti.
54. Ne hagyja az akkumulátort különösen magas hőmérsékletű helyen, mivel ez robbanást, vagy a gyúlékony folyadékok vagy gázok szivárgását okozhatja.
55. Ha az akkumulátort szélsőségesen alacsony légnyomásnak teszi ki, ez robbanást, illetve gyúlékony folyadékok vagy gázok szivárgását okozhatja.
56. Ha az elemfolyadék szivárog, és szembe, bőrre vagy ruhára kerül, azonnal öblítse le bő tiszta vízzel. Ha szembe vagy bőrre kerül, azonnal forduljon orvosához.
57. Az akkumulátor egy zárt rendszerű eszköz, és normál körülmények között nem jelent biztonsági kockázatot. Abban a valószínűtlen esetben, ha folyadék szivárogna az akkumulátorból, ne érintse meg a folyadékot, és tartsa be a következő óvintézkedéseket:
- **Érintkezés a bőrrel:** irritációt okozhat. Mossa le a bőrfelületet szappannal és vízzel.
  - **Belégzés:** légzőszervi irritációt okozhat. Menjen friss levegőre, és forduljon orvoshoz.
  - **Szembe kerülés:** irritációt okozhat. Haladéktalanul öblítse ki a szemét vízzel, legalább 15 percen keresztül. Forduljon orvoshoz.



- **Hulladékkezelés:** az akkumulátort kesztyűvel fogja meg, és haladéktalanul selejtezze le a helyi rendeletek és előírások szerint.
58. **FIGYELMEZTETÉSEK:** Töltés közben a terméket jól szellőző helyen kell elhelyezni.
59.  A készülék jelölése (áthúzott szemetesekuka szimbólum) a „Használt elektromos és elektronikus berendezésekről” szóló 2012/19/EU európai irányelvnek megfelel. Ez a jelölés azt jelenti, hogy ez a berendezés hasznos élettartamának végén nem ártalmatlanítható más háztartási hulladékkal együtt. A felhasználó köteles átadni a használt elektromos és elektronikus berendezéseket begyűjtését végző üzemeltetőknek. A begyűjtési üzemeltetők, beleértve a helyi gyűjtőpontokat, üzleteket és helyi hatóságokat, megfelelő rendszert hoznak létre a berendezések begyűjtésére. A használt elektromos és elektronikus berendezések megfelelő gyűjtése segít elkerülni azokat az emberi egészségre és a környezetre gyakorolt káros hatásokat, amelyek a veszélyes összetevők jelenlétéből, valamint a berendezések nem megfelelő tárolásából és kezeléséből erednek.
60.  Az akkumulátorokat a háztartási hulladékba helyezni tilos. Kérjük, hogy a nem használt elemeket vigye el az erre a célra kijelölt gyűjtőhelyre. A hulladékkezeléssel kapcsolatban forduljon a helyi hatóságokhoz vagy a forgalmazóhoz. Az elemek előírászerű ártalmatlanításával védi a környezetet és az emberi egészséget.

HU

## 2. MŰSZAKI ADATOK

### 2.1. FŐ EGYSÉG

Újratölthető akkumulátor	Li-ion 21,6 V ---, 2000 mAh (C6) 6INR19/22
Névleges feszültség	21,6 V---
Névleges teljesítmény	150 W
Névleges feszültség (motoros tisztítófej)	25,2 V---
Névleges teljesítmény (motoros tisztítófej)	10 W
Akkumulátorcella	ISR18650-2000; 3,7 V, 2000 mAh
Akkumulátor	BP21620H; 21,6 V, 2,0 Ah, 43,2 Wh
Üzemidő kis szívóerővel	Körülbelül 15 perc
Üzemidő nagy szívóerővel	Körülbelül 40 perc
Töltési idő	4–6 óra
Porgyűjtő kapacitása	0,6 l
Hangteljesítményszint	80 dB
Szívóerő	6 kPa, 30 W

## 2.2. VÁLTOÁRAMÚ TÁPEGYSÉG

A gyártó neve vagy védjegye, kereskedelmi nyilvántartási száma és címe	Jiangsu Midea Cleaning Appliances Co., Ltd No.39 Caohu Avenue, Xiangcheng Economic Development Zone, Suzhou, Jiangsu	
Modellazonosító	MC2805B-V	-
Bemeneti feszültség	100–240	V~
Bemeneti AC frekvencia	50–60	Hz
Kimeneti feszültség	25,0, 29,0	V ===
Kimeneti áram	0,5	A
Kimeneti teljesítmény	12,5, 14,5	W
Átlagos aktív hatékonyság	86,9	%
Hatásfok alacsony (10%-os) terhelés esetén	73,1	%
Teljesítményfelvétel készenléti állapotban	0,08	W

HU

## 3. TERMÉKLEÍRÁS

- |                                |                                     |
|--------------------------------|-------------------------------------|
| 1. Bekapcsológomb              | 12. Jelzőfények                     |
| 2. Low/High szivás gomb        | 13. Szellőzőnyílások                |
| 3. Csőkioldó gomb              | 14. Készülékház                     |
| 4. Összehajtható kioldás       | 15. Szűrő                           |
| 5. Padlószívó fej kioldógombja | 16. Részszívó fej                   |
| 6. Padlószívófej               | 17. 2 az 1-ben kerek kefék szívófej |
| 7. LED-es fényforrás           | 18. Adapter                         |
| 8. Fogantyú                    | 19. Fali tartó                      |
| 9. Töltőnyílás                 | 20. Vezetéktartó                    |
| 10. Porgyűjtő                  | 21. Motoros kisállatszőr-szívó      |
| 11. Porgyűjtő kioldógombja     |                                     |

## 4. ÜZEMBE HELYEZÉS

### 4.1. A FALI TARTÓ FELSZERELÉSE

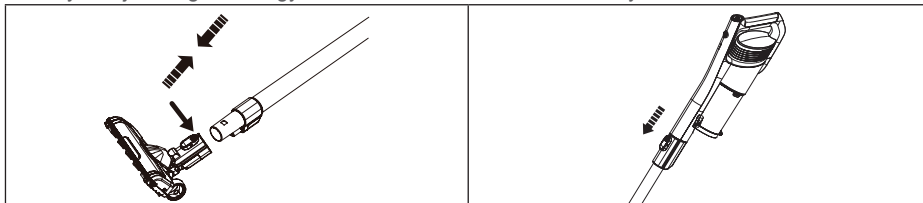
A terméket úgy tervezték, hogy függőlegesen álljon a fali tartóban.

1. A felszerelés helyét a fali csatlakozó közelében válassza ki.
2. Illesszen műanyag tipliket a furatokba (nincs a készletben).
3. Rögzítse a fali tartót a falhoz, és húzza meg a két M4x20-as csavart (nem tartozék).

**Megjegyzés:** A furatok elkészítése során ügyeljen arra, hogy ne fúrjon csövekbe vagy elektromos vezetékbe. A rögzítési pontoknak képesnek kell lenniük a termék teljes súlyát megtartani.

## 4.2. A KÉZI PORSZÍVÓ ÖSSZESZERELÉSE

1. Illessze a csövet a padlószívó fej csatlakozójába úgy, hogy benyomja addig, amíg az a helyére nem rögzül egy kattanással.
2. Illessze a fő készüléktestet a cső felső végébe úgy, hogy benyomja addig, amíg az a helyére nem rögzül egy kattanással.
3. Győződjön meg róla, hogy minden csatlakozó bekattant a helyére.

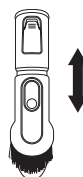
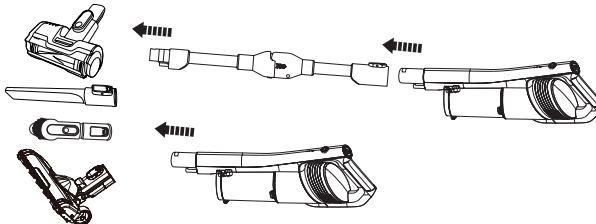


## 4.3. Tartozékok felszerelése és eltávolítása

**FIGYELEM:** A tartozékok cseréje előtt először mindig kapcsolja ki a porszívót.

**FIGYELEM: Sérülésveszély!** Soha ne tartsa a résszívó fejet a testhez túl közel, mert a szívóhatás miatt a bőrhez tapadhat. Ha a szívófej eldugul, haladéktalanul kapcsolja ki a készüléket.

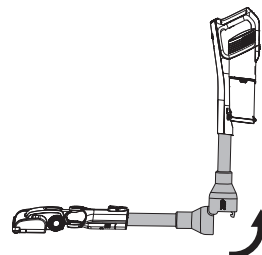
- A 2 az 1-ben kerek kefésszívófej használatához nyomja meg a kioldógombot a kioldáshoz, és csúsztassa a kefést felfelé vagy lefelé, amíg a helyére nem rögzül.
- Mind a négy tartozék: a résszívó fej, a motoros kisállatszór-szívó, a 2 az 1-ben kerek kefésszívófej és a padlószívófej egyaránt csatlakoztatható a csőbe és közvetlenül a fő készüléktestre is.



HU

## 4.4. A CSŐ ÖSSZEHAJTÁSA

A bútorok alatti, nehezen elérhető helyek könnyű eléréséhez húzza felfelé a kioldókart, hogy a csövet alacsonyabb szögre állítsa.

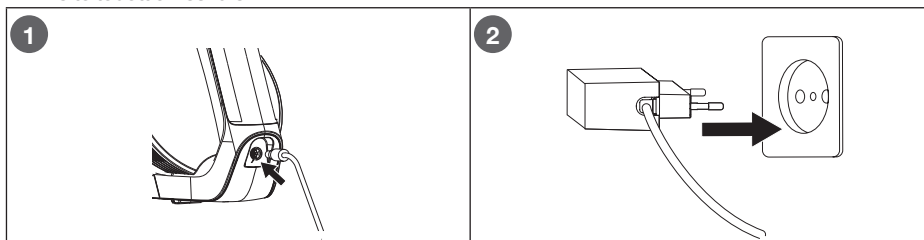


## 5. A TERMÉK HASZNÁLATA

### 5.1. TÖLTÉS

#### Megjegyzések:

- A készülék töltés közben nem használható.
  - Töltse a készüléket, amikor villog az akkumulátor töltöttségi jelzője.
1. Akassza a készüléket a fali tartóra. Dugja be a töltőcsúcsot a fogantyú tetején található töltőcsatlakozóba.
  2. Dugja be a töltőt a fali aljzatba.
  3. Töltés közben a fogantyún lévő jelzőfények a töltöttségi állapotnak megfelelően világítanak és villognak, jelezve, hogy az akkumulátor töltődik. Minden fény kialszik, amikor teljesen feltöltődött a készülék.

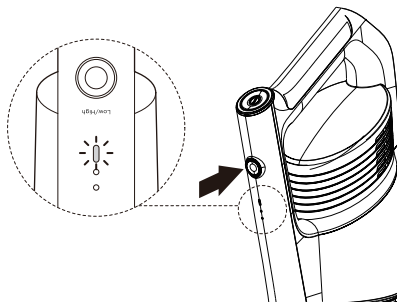


### 5.2. A PORSÍVÓ HASZNÁLATA

1. Illesse a kívánt tartozékot a cső szívónyílásába vagy közvetlenül a fő készüléktestre.
2. A készülék bekapcsolásához nyomja meg a bekapcsológombot.
3. A készülék kis és nagy szívóerővel rendelkezik. A szívóerő szabályozásához nyomja meg a Low/High szívás gombot. Nagy sebességnél a LED világítani fog.

**Megjegyzés:** A porszívó bekapcsolása után az alapértelmezett szívóerő magasra van állítva.

4. A porszívózás befejezése után nyomja meg újra a bekapcsológombot a készülék kikapcsolásához.
5. Öntse ki a porgyűjtő tartalmát, majd tisztítsa meg. Akassza a készüléket a fali tartóra.



## 6. KARBANTARTÁS ÉS TISZTÍTÁS

**Megjegyzés:** Mindig kapcsolja ki a készüléket, és válassza le az elektromos hálózatról (amennyiben éppen tölti), ha tartozékot cserél, tisztítást vagy karbantartást végez rajta.

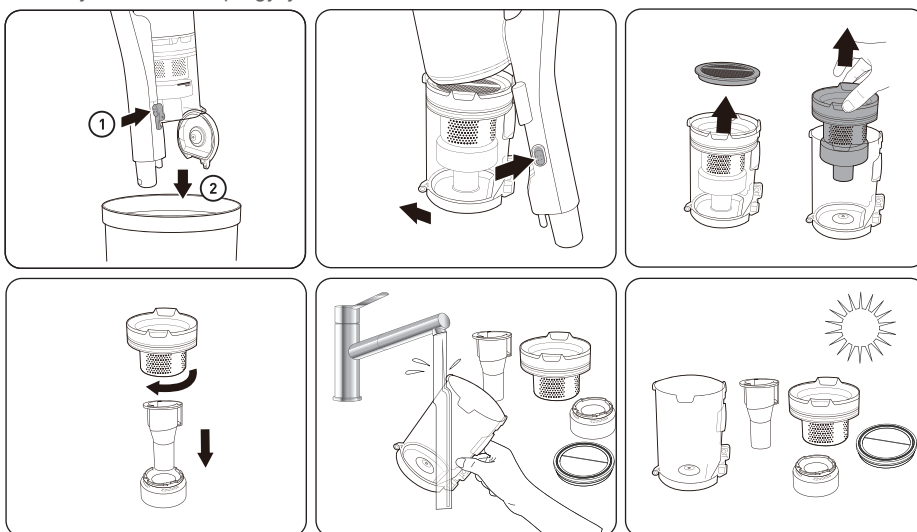
1. A készüléket, a tápkábelt és az adaptert ne merítse vízbe vagy más folyadékba.
2. Mellőzze a korrozív folyadékokat és anyagokat. Ne használjon súroló hatású tisztítószerkeket, vegyszereket, üvegtisztítókat, univerzális tisztítószerkeket, fertőtlenítőszerkeket vagy olajalapú karbantartó anyagokat! Ezek a termékek károsíthatják a készüléket.

### 6.1. A KÉSZÜLÉKHÁZ ÉS A TARTOZÉKOK TISZTÍTÁSA

1. Használjon egy puha, nedves ruhát a készülékre került szennyeződések eltávolításához. Ügyeljen rá, hogy ne jusson víz a készülék belsejébe. Használat előtt hagyja a készüléket teljesen megszáradni.
2. Törölje át a tartozékokat egy puha, nedves ruhával, és ha szükséges, egy kevés enyhe mosószerrel. Hagyja őket teljesen megszáradni.

## 6.2. A PORTARTÁLY TISZTÍTÁSA

1. A tartály alatt oldja ki a reteszt, és a fedél kinyílik. Ürítse ki a tartalmát.
2. Finoman húzza ki a szűrőt és a szűrővédőt a porgyűjtőből egy szemetes felett. Öntse a porgyűjtő tartalmát a szemetesbe, majd tisztítsa meg egy nedves ruhával vagy puha kefével, illetve szükség esetén öblítse le hideg vízzel. Ügyeljen arra, hogy a portartály teljesen száraz legyen, mielőtt visszateszi a helyére.
3. Vegye ki a szűrőt a szűrővédőből az óramutató járásával ellentétes irányba elfordítva és felfelé emelve. Tisztítsa meg a szűrőt egy puha ruhával vagy egy puha kefével. Szükség esetén a szűrő külső részét és a szűrővédőt mossa át hideg csapvíz alatt, amíg tisztává nem válnak. A szűrőt rendszeres időközönként vagy szükség esetén tisztítsa. Fektesse a szűrőt és a szűrővédőt az oldalára, hogy teljesen megszáradhasson.
4. Miután teljesen megszáradt, először a szűrővédőt helyezze vissza a porgyűjtőbe. Tegye a szűrővédőbe és rögzítse a helyére az óramutató járásával megyező irányba elfordítva. Ügyeljen arra, hogy a szűrővédő megfelelően a helyére kerüljön. Ezt követően tegye a szűrőt is a szűrővédőbe.
5. Helyezze vissza a porgyűjtőt a készülékhez.

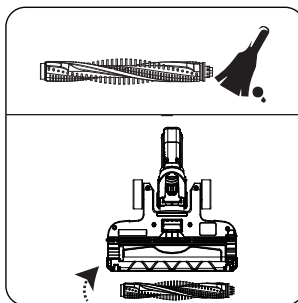
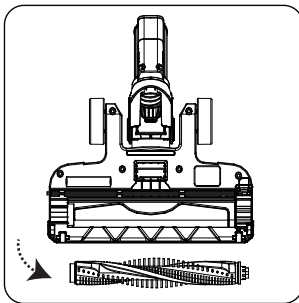
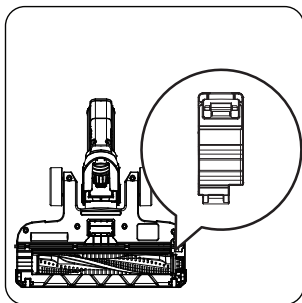


HU

## 6.3. A PADLÓSZÍVÓ FEJ KARBANTARTÁSA

**Megjegyzés:** Ha egy kemény vagy éles tárgyon halad át, vagy porszívózás közben változást érzékel a zajszintben, ellenőrizze, hogy nincs-e eltömődés benne, vagy nem akadt-e be valamilyen tárgy a görgős kefébe.





1. Húzza le a kart az eltávolítható lemez tetején, és vegye ki a lemezt. Ezután vegye ki görgős keféét.
2. Tisztítsa meg a görgős keféét, és távolítsa el minden makacs szennyeződést. Ollóval vágjon le minden zsinórt vagy hajszálat, ami rátekeredett a görgős kefére. Puha, nedves ruhával törölje ki a görgős kefe rekeszét. Hagyja, hogy teljesen megszáradjon.
3. Helyezze vissza a görgős keféét. Az eltávolítható lemez cseréjéhez helyezze a belsejét a lyukba, majd nyomja a tetejét, amíg a helyére nem kattán.



#### 6.4. A MOTOROS KISÁLLATSZŐR-SZÍVÓ KARBANTARTÁSA

**Megjegyzés:** Ha egy kemény vagy éles tárgyon halad át, vagy porszívózás közben változást érzékel a zajszintben, ellenőrizze, hogy nincs-e eltömődés benne, vagy nem akadt-e be valamilyen tárgy a görgős kefébe.

HU

1. A görgős kefe motoros kisállatszőr-szívóból való eltávolításához csúsztassa ki a reteszelőlemezt ebből:  ebbe: . Óvatosan húzza ki a görgős kefét oldalról.
2. Tisztítsa meg a görgős kefét, és távolítsa el minden makacs szennyeződést. Ollóval vágjon le minden zsinórt vagy hajszálat, ami rátekeredett a görgős kefére. Puha, nedves ruhával törölje ki a görgős kefe rekeszét. Hagyja, hogy teljesen megszáradjon.
3. Helyezze vissza a görgős kefét a rekeszébe úgy, hogy szilárdan a helyére rögzüljön. Csúsztassa ki a reteszelőlemezt ebből:  ebbe: .

# CUPRINS

1. INSTRUCȚIUNI DE SIGURANȚĂ	P. 63
2. SPECIFICAȚII TEHNICE	P. 67
3. DESCRIEREA PRODUSULUI	P. 68
4. INSTALARE	P. 68
5. FOLOSIREA PRODUSULUI	P. 69
6. ÎNTREȚINERE ȘI CURĂȚARE	P. 70

## 1. INSTRUCȚIUNI DE SIGURANȚĂ

Înainte de a folosi acest produs, citiți cu atenție aceste instrucțiuni și păstrați manualul pentru o utilizare ulterioară.

1. Acest aparat poate fi utilizat de copiii cu vârsta de minim 8 ani și de persoane cu capacități fizice, senzoriale sau mentale reduse sau care nu au experiența și cunoștințele necesare, numai dacă sunt supravegheate sau au fost instruite cu privire la utilizarea aparatului în condiții de siguranță și înțeleg pericolele implicate.
2. Copiii nu au voie să se joace cu acest aparat.
3. Curățarea aparatului și întreținerea permisă pentru utilizator nu trebuie să fie efectuate de către copii decât sub supraveghere.
4. Dacă este deteriorat cablul de alimentare, acesta trebuie să fie înlocuit de către producător, de agentul de service sau de persoane cu calificare similară, pentru a se evita pericolele posibile.
5. Aparatul trebuie utilizat numai cu sursa de alimentare pe care ați primit-o împreună cu aparatul.
6.  **AVERTIZARE:** În scopul reîncărcării bateriei, utilizați doar unitatea de alimentare detașabilă (MC2805B-V) furnizată cu acest aparat.
7. **AVERTIZARE:** Acest încărcător de baterie poate încărca doar acest aspirator special. NU folosiți acest încărcător pentru a încărca alte produse!
8. Acest aparat conține baterii care pot fi înlocuite numai de persoane calificate.
9. Înainte de curățare sau întreținere a aparatului, ștecărul trebuie scos din priză.
10. Este necesar să luați măsuri de precauție în timpul întreținerii. Consultați paragraful „**ÎNTREȚINERE ȘI CURĂȚARE**” pentru întreținerea și curățarea aparatului.
11. **PRECAUȚIE:** Numai pentru uz casnic, în interior! Nu utilizați aparatul în medii exterioare.

RO



12. Opriți aparatul înainte de schimbarea accesoriilor.
13. Nu utilizați aparatul dacă a fost scăpat de la înălțime, dacă există semne vizibile de deteriorare sau dacă bateria reîncărcabilă se scurge.
14. Aveți grijă ca părul, îmbrăcămintea largă, degetele și toate părțile corpului să fie departe de deschiderile aparatului.
15. **AVERTIZARE:** Nu folosiți niciodată aparatul fără filtru. Colectarea optimă de praf va fi realizată doar cu ajutorul unui filtru curat și a unui container de praf gol.
16. Nu folosiți alte accesorii decât cele furnizate de către producător, pentru a evita deteriorarea aparatului și/sau rănire.
17. Consultați **5.1. ÎNCĂRCAREA** pentru informații despre încărcare.
18. **2. SPECIFICAȚII TEHNICE** pentru tipul de referință al bateriilor.
19. Asigurați-vă întotdeauna că aveți mâinile uscate înainte de a folosi ștecherul sau de a porni aparatul.
20. Nu mânuiți niciodată aspiratorul portabil cu vacuum și încărcătorul acestuia cu mâinile umede sau ude.
21. Nu utilizați un cablu de alimentare, un ștecher sau o priză de curent deteriorată.
22. Desfășurați complet cablul de alimentare înainte de utilizare. Nu încărcați aparatul cu cablul de alimentare neîntins deoarece acest lucru poate provoca supraîncălzire. Nu îndoiți, nu întindeți și nu trageți cablul de alimentare pentru a evita electrocutarea.
23. Nu înfășurați cablul de alimentare în jurul marginilor ascuțite.
24. Nu lăsați cablul de alimentare să atârne peste margine, să atingă suprafețe fierbinți sau să se încurce. Nu așezați un obiect greu pe cablul de alimentare, acesta ar putea să-l rupă.
25. Nu scoateți niciodată ștecărul din priză folosind cablul de alimentare, și nu trageți cablul de alimentare pentru a manevra aparatul.
26. Înainte de conectarea la priză, asigurați-vă că nu există praf sau apă pe mufa de alimentare.
27. Conectați ștecărul cablului de alimentare la o priză ușor accesibilă, pentru a permite deconectarea rapidă a aparatului de la sursa de alimentare în caz de urgență.
28. Din motive de siguranță, se recomandă conectarea aparatului direct la propria priză electrică, pe un circuit dedicat, separat de alte aparate. Dacă circuitul electric este supraîncărcat cu alte aparate, este posibil ca aparatul dvs. să nu funcționeze corect. Nu se recomandă utilizarea împreună cu un prelungitor sau cu o extensie.
29. Nu lăsați cablul de alimentare desfăcut expus pe podea.
30. Poziționați mereu cablul de alimentare astfel încât nimeni să nu se împiedice și să nu se încâlcească în el.
31. Nu scufundați aparatul în apă. Nu utilizați acest aparat în apropierea apei.

RO






32. Nu folosiți aparatul în cazul în care a căzut în apă sau în alte lichide. Apelați la ajutorul unui tehnician specializat în reparații pentru verificare.
33. Nu expuneți aparatul la ploaie, umezeală și condiții de umezeală.
34. Nu așezați aparatul în lumina directă a soarelui sau în spații înguste unde ventilația este restricționată sau unde există surse de încălzire.
35. Nu folosiți aparatul dacă este vizibil deteriorat.
36. Se recomandă verificarea regulată a aparatului.
37. Scoateți și eliminați în siguranță orice material de ambalare și etichete promoționale înainte de a utiliza aparatul pentru prima dată. Nu scoateți etichetele de evaluare și informațiile de siguranță!
38. Depozitați și utilizați acest aspirator numai în medii cu temperatură ambientală. Este interzisă utilizarea produsului la temperaturi extrem de scăzute (sub 0 °C) sau ridicate (peste 40 °C).
39. Nu folosiți niciodată pentru a colecta ceva care fumează sau arde, cum ar fi țigări, scrum fierbinte sau chibrituri.
40. Nu utilizați niciodată pentru a colecta lichide inflamabile sau combustibile, cum ar fi băuturi spirtoase metilate, benzină, acetonă etc., și nici nu utilizați în zona în care acestea pot fi prezente.
41. Nu folosiți niciodată pentru a colecta obiecte ascuțite și dure, cum ar fi piese de sticlă, așchii de metal, monede, cuie, șuruburi etc.
42. Nu folosiți niciodată pentru a colecta materiale corozive sau toxice, cum ar fi acizi minerali, soluții alcaline, oxidant, curățător de scurgere, înălbitor cu clor, amoniac etc.
43. Nu-l utilizați niciodată într-un spațiu închis umplut cu vapori degajați de vopsea pe bază de ulei, substanțe impermeabile pentru molii, diluant de vopsea, praf inflamabil sau alți vapori toxici sau explozivi.
44. Nu folosiți aparatul pentru a aspira lichide sau murdărie umedă.
45. Evitați utilizarea aspiratorului în locații cu lămpi de birou și lumânări, precum și în locații cu benzină, alcool distilat, diluant, scrumiere cu țigări aprinse etc.
46. Nu scurtcircuitați niciodată pinii de încărcare cu obiecte metalice precum șurubelnițe etc.
47. **PRECAUȚIE:** Nu deschideți în nicio situație carcasa. Nu vă introduceți degetele sau obiecte străine în orificiile aparatului și nu blocați gurile de aerisire. Orificiile de ventilație trebuie păstrate curate pentru ca aparatul să funcționeze corespunzător și pentru prevenirea încălzirii periculoase. Nu acoperiți aparatul.
48. Înainte de fiecare utilizare, asigurați-vă că deschiderile sunt lipsite de praf, păr, scame și orice poate reduce fluxul.
49. Reparațiile trebuie efectuate numai de către tehnicieni autorizați. Utilizatorii sau alte persoane neautorizate nu trebuie să încerce repararea sau dezasamblarea produsului. Reparațiile incorecte pot provoca pericole considerabile.


RO

50. Tensiunea de alimentare va fi identică cu cea indicată în cadrul specificațiilor tehnice și pe eticheta aparatului.
51. Verificați dacă aspiratorul este intact. **NU** utilizați aparatul dacă este stricat.
52. În cazul în care pinii ștecărilor sunt deteriorați, ștecărul de alimentare nu va fi folosit.

#### 1.1. INSTRUCȚIUNI DE SIGURANȚĂ PENTRU BATERIE

53. **AVERTISMENTE:** Aspiratorul portabil cu vacuum conține baterii care nu se pot înlocui. Bateriile uzate nu trebuie aruncate în gunoier menajer. Bateriile trebuie scoase din aparat înainte de a fi casate. Pentru a scoate bateriile, duceți aparatul la un loc de colectare/eliminare desemnat. Pentru siguranța dvs., nu încercați să scoateți singur bateriile. Dacă bateriile nu sunt scoase corect, acest lucru poate duce la deteriorarea bateriilor și a dispozitivului, poate cauza vătămări corporale și/sau poate face ca dispozitivul să nu mai poată fi folosit în siguranță.
54. Expunerea unei baterii la o temperatură extrem de ridicată în mediul înconjurător, ceea ce poate duce la o explozie sau la scurgeri de lichid sau gaz inflamabil.
55. O baterie supusă unei presiuni de aer extrem de scăzută, poate duce la o explozie sau la scurgerea de lichid sau gaz inflamabil.
56. În cazul în care lichidul bateriei curge și intră în contact cu ochii, pielea sau hainele, clătiți imediat cu multă apă curată. Contactați imediat medicul în caz de contact cu ochii sau cu pielea.
57. Bateriile reprezintă o unitate sigilată și, în condiții normale, nu prezintă pericol. Totuși, în cazul în care lichidul se scurge din baterii, nu atingeți lichidul și respectați următoarele măsuri de siguranță:
- **Contact cu pielea:** poate cauza iritație. Spălați cu apă și săpun.
  - **Inhalare:** poate cauza iritație respiratorie. Respirați aer curat și consultați personalul medical.
  - **Contact cu ochii:** poate cauza iritație. Clătiți imediat și temeinic ochii cu apă timp de cel puțin 15 minute. Consultați un medic.
  - **Eliminare:** Folosiți mănuși pentru a manipula bateria și eliminați-o imediat, conform normelor și regulamentelor locale.
58. **AVERTISMENTE:** În timpul încărcării, produsul trebuie plasat într-o zonă bine ventilată.
59.  Marcajul acestui dispozitiv (simbolul unui coș de gunoi cu un x deasupra) este în conformitate cu Directiva europeană 2012/19/UE privind „echipamentele electrice și electronice uzate”. Acest marcaj înseamnă că acest echipament nu poate fi eliminat împreună cu alte deșeuri menajere la sfârșitul duratei sale de viață utilă. Utilizatorul este obligat să îl predea operatorilor care colectează echipamente electrice și

electronice uzate. Operatorii de colectare, inclusiv punctele de colectare locale, magazinele și autoritățile locale, creează un sistem adecvat pentru colectarea echipamentelor. Colectarea adecvată a echipamentelor electrice și electronice uzate contribuie la evitarea efectelor nocive asupra sănătății umane și a mediului, care rezultă din existența componentelor periculoase, precum și din depozitarea și tratarea necorespunzătoare a acestor echipamente.

60.  Bateriile nu trebuie aruncate împreună cu deșeurile menajere normale. Reciclați-le în punctele de colectare prevăzute în acest scop. Contactați autoritățile locale sau distribuitorul pentru a primi instrucțiuni cu privire la reciclare. Eliminarea corectă a bateriilor vechi ajută la protejarea mediului și a sănătății umane.

## 2. SPECIFICAȚII TEHNICE

### 2.1. UNITATEA PRINCIPALĂ

Baterie reîncărcabilă	Li-ion 21.6 V ---, 2000 mAh (C6) 6INR19/22
Tensiunea nominală	21.6 V ---
Putere nominală la intrare	150 W
Tensiunea nominală (vârf motorizat de curățare)	25.2 V ---
Puterea nominală (vârf motorizat de curățare)	10 W
Baterie	ISR18650-2000; 3.7 V, 2000 mAh
Acumulator	BP21620H; 21.6 V, 2.0 Ah, 43.2 Wh
Timpul de lucru când puterea de aspirare este redusă	Aproximativ 15 de minute
Timpul de lucru când puterea de aspirare este mare	Aproximativ 40 de minute
Timpul de încărcare	4-6 ore
Capacitatea containerului de praf	0.6 L
Nivelul de putere acustică	80 dB

RO

### 2.2. ADAPTOR C.A.

Denumirea sau marca comercială a producătorului, numărul de înregistrare comercială și adresa	Jiangsu Midea Cleaning Appliances Co., Ltd No.39 Caohu Avenue, Xiangcheng Economic Development Zone, Suzhou, Jiangsu	
Identificator model	MC2805B-V	-
Tensiune de intrare	100-240	V~
Frecvență de intrare AC	50-60	Hz
Tensiune de ieșire	25.0, 29.0	V ---
Curent de ieșire	0.5	A
Putere de ieșire	12.5, 14.5	W
Eficiența medie activă	86.9	%
Eficiență în sarcină redusă (10%)	73.1	%
Consumul de energie fără încărcare	0.08	W

### 3. DESCRIEREA PRODUSULUI

- |  |   |
|--|---|
| 1. Butonul de pornire                  | 12. Lumini indicatoare                              |
| 2. Buton de aspirare Low/High          | 13. Deschideri pentru ventilație.                   |
| 3. Buton de deblocare a tubului        | 14. Corp principal                                  |
| 4. Deblocare pliabilă                  | 15. Filtru  |
| 5. Buton de deblocare a duzei de podea | 16. Țeava cu fantă                                  |
| 6. Duza de podea                       | 17. Duză rotundă cu perie 2 în 1                    |
| 7. Lumină cu LED                       | 18. Adaptor   |
| 8. Mâner                               | 19. Suport de montare pe perete                     |
| 9. Fantă încărcare                     | 20. Suport cablu                                    |
| 10. Container de praf                  | 21. Instrument motorizat pentru animale de companie |
| 11. Buton deblocare container de praf  |   |

### 4. INSTALARE

#### 4.1. INSTALAREA SUPORTULUI DE MONTARE PE PERETE

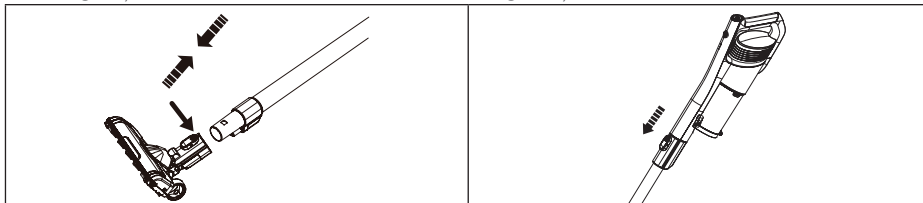
Produsul este proiectat pentru a fi așezat în poziție verticală în suportul de montare pe perete.

1. Alegeți o poziție de montare situată în apropierea prizei electrice.
2. Montați ancore de comutare din plastic în găuri (nu sunt incluse în set).
3. Fixați suportul de montare pe perete și strângeți două șuruburi M4x20 (nu sunt incluse în set).

**Notă:** În timpul efectuării găurilor de montare, nu găuriți în țevi sau cabluri principale de sub suprafață. Punctele de fixare trebuie să poată susține greutatea totală a produsului.

#### 4.2. MONTAREA ASPIRATORULUI PORTABIL CU VACUUM

1. Introduceți tubul în conectorul duzei de podea apăsând-l până când se fixează bine în poziție.
2. Introduceți corpul principal în partea superioară a tubului apăsând-o până când se fixează bine în poziție.
3. Asigurați-vă că toate conexiunile sunt fixate în siguranță.

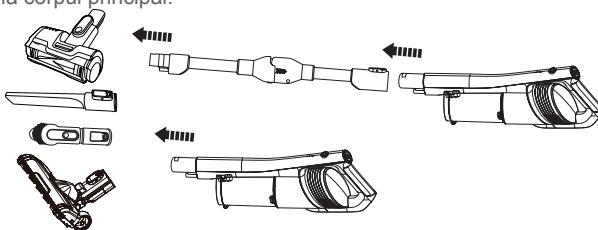
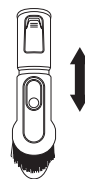


#### 4.3. Montarea și demontarea accesoriilor

**PRECAUȚIE:** Întotdeauna opriți aspiratorul înainte de a schimba accesoriile.

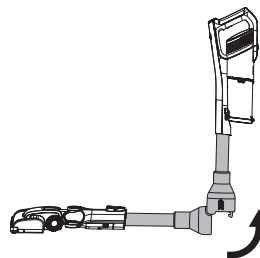
**PRECAUȚIE: Pericol de rănire!** Nu țineți niciodată duza pentru crăpături aproape de corp, altfel se poate lipsi de piele. Dacă duza se blochează, opriți imediat aparatul.

- Pentru a utiliza duza pentru perie rotundă 2 în 1, apăsați butonul de eliberare pentru a debloca și glisați peria în sus sau în jos până când se blochează în poziție.
- Toate cele patru accesorii: duza pentru crăpături, unealta motorizată pentru animale de companie, duza cu perie rotundă 2 în 1 și duza pentru podea pot fi conectate la tub și direct la corpul principal.



#### 4.4. PLIEREA TUBULUI

Pentru a accesa cu ușurință zonele greu accesibile de sub mobilier, trageți în sus pârghia de eliberare pentru a poziționa tubul într-un unghi mai mic.



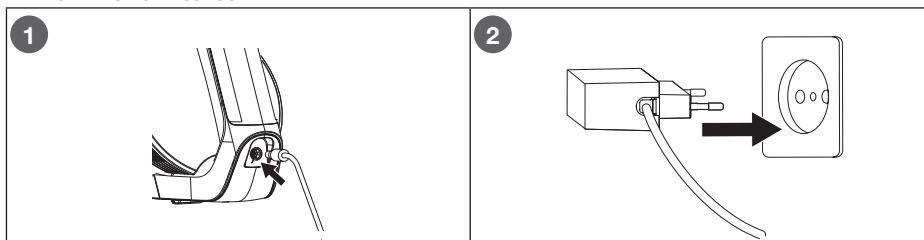
### 5. FOLOSIREA PRODUSULUI

#### 5.1. ÎNCĂRCAREA

**Note:**

- Aparatul nu poate fi utilizat pe durata încărcării.
  - Încărcați aparatul când indicatorul de alimentare al bateriei clipește.
1. Agățați aparatul pe suportul său de montare pe perete. Conectați vârful încărcătorului în portul de încărcare din partea de sus a mânerului.
  2. Conectați încărcătorul la o priză de perete.
  3. În timpul încărcării, barele luminoase indicatoare de pe mâner se vor aprinde în ordinea stării de încărcare și vor clipi, indicând că bateria se încarcă. Când este complet încărcat, toate luminile vor fi stinse.

RO

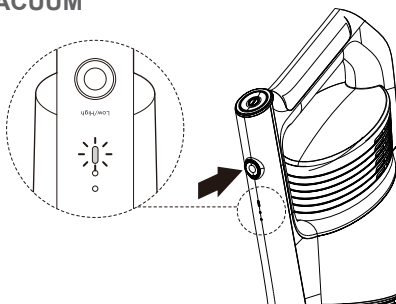


#### 5.2. FUNCȚIONAREA ASPIRATORULUI CU VACUUM

1. Introduceți accesoriul dorit în orificiul de aspirare al tubului sau direct în corpul principal.
2. Apăsați pe butonul de pornire pentru a porni aparatul.
3. Acest aparat are o putere de aspirare scăzută și ridicată. Pentru a regla puterea de aspirare, apăsați butonul de aspirare Low/High. La viteză Mare, LED-ul va fi aprins în culoare albă.

**Notă:** După pornirea aspiratorului, puterea implicită de aspirare este setată la nivelul înalt.

4. După ce ați terminat aspirarea, apăsați din nou pe butonul de pornire pentru a opri aparatul.
5. Goliți și curățați containerul de praf. Agățați aparatul pe suportul său de montare pe perete.



## 6. ÎNTREȚINERE ȘI CURĂȚARE

**Notă:** Întotdeauna opriți și deconectați aparatul de la sursa de alimentare (dacă se încarcă) înainte de schimbarea accesoriilor, curățare sau lucrări de întreținere.

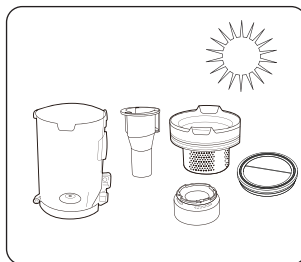
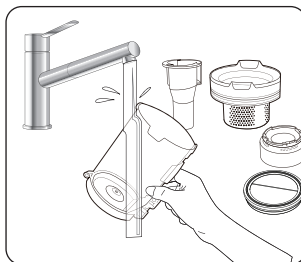
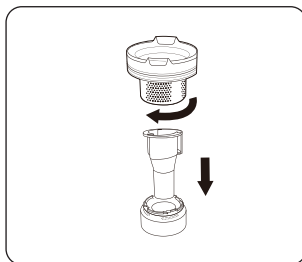
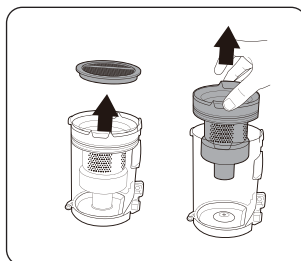
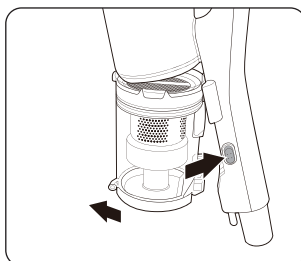
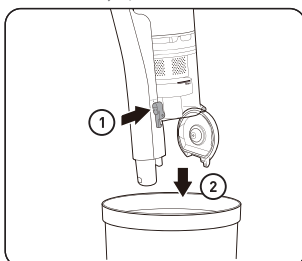
1. Nu scufundați aparatul, cablul său de alimentare sau adaptorul în apă sau în alte lichide.
2. Evitați lichidele și materialele corozive. Nu utilizați agenți de curățare abrazivi, substanțe chimice, agenți de curățare a sticlei, agenți de curățare universali, dezinfectați sau agenți de întreținere pe bază de ulei! Aceste produse pot deteriora aparatul.

### 6.1. CURĂȚAREA CORPULUI PRINCIPAL ȘI A ACCESORIILOR

1. Folosiți o lavetă moale și umedă pentru a șterge murdăria de pe corpul principal. Aveți grijă să nu lăsați apa să pătrundă în interiorul aparatului. Lăsați să se usuce complet înainte de utilizare.
2. Ștergeți accesoriile cu o lavetă moale și umedă și, dacă este necesar, cu un detergent blând. Lăsați-le să se usuce complet.

### 6.2. CURĂȚAREA CONTAINERULUI DE PRAF

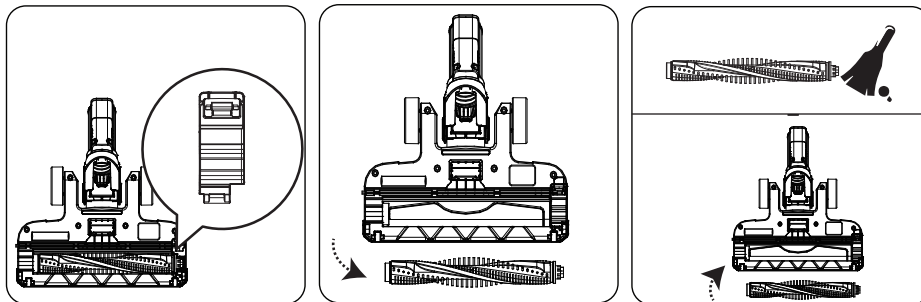
1. Sub coș, desprindeți încuietoarea, iar capacul se va deschide. Goliți conținutul.
2. Trageți cu grijă filtrul și protecția sa din containerul de praf pe un coș de gunoi. Goliți conținutul containerului de praf într-un coș de gunoi și curățați-l cu o lavetă umedă, o perie moale sau clătiți cu apă rece dacă este necesar. Verificați ca recipientul de praf să fie complet uscat înainte de a-l monta înapoi.
3. Scoateți filtrul din protecția filtrului rotindu-l spre stânga și ridicându-l în sus. Curățați filtrul cu o lavetă uscată sau o perie moale. Clătiți cu apă rece exteriorul filtrului și protecția filtrului până când apa rămâne curată, dacă este necesar. Spălați filtrul regulat sau la nevoie. Așezați filtrul și protecția filtrului pe o parte pentru a se usca complet.
4. Când este complet uscat, reinstalați prima dată protecția filtrului în containerul de praf. Puneți-l în protecția filtrului și blocați-l în poziție, rotindu-l spre dreapta. Verificați să fie montat corespunzător. Apoi montați filtrul în protecția filtrului.
5. Reașezați containerul de praf în corpul principal.



### 6.3. ÎNTREȚINEREA DUZEI DE PODEA

**Notă:** Dacă deplasați aspiratorul pe un obiect dur sau ascuțit sau dacă observați o schimbare a zgomotului în timpul aspirării, verificați dacă există blocaje sau obiecte prinse în peria rotativă.





1. Trageți în jos pârghia de deasupra plăcii detașabile și scoateți placa. Apoi scoateți peria rotativă.
2. Curățați peria rotativă și îndepărtați murdăria persistentă. Tăiați cu o foarfecă orice fire sau fire de păr care s-au înfășurat în jurul periei rotative. Ștergeți compartimentul periei rotative cu o cârpă moale, umedă. Lăsați-l să se usuce complet.
3. Reintroduceți peria rotativă. Pentru a înlocui placa detașabilă, introduceți partea inferioară a acesteia în orificiu, apoi împingeți partea superioară a acesteia până când se fixează în poziție.



RO

### 6.4. ÎNTREȚINEREA INSTRUMENTULUI MOTORIZAT PENTRU ANIMALE DE COMPANIE

**Notă:** Dacă deplasați aspiratorul pe un obiect dur sau ascuțit sau dacă observați o schimbare a zgomotului în timpul aspirării, verificați dacă există blocaje sau obiecte prinse în peria rotativă.

1. Pentru a scoate peria rotativă din instrumentul motorizat pentru animale de companie, glisați placa de blocare din  spre . Trageți ușor peria rotativă dintr-o parte.
2. Curățați peria rotativă și îndepărtați murdăria persistentă. Tăiați cu o foarfecă orice fire sau fire de păr care s-au înfășurat în jurul periei rotative. Ștergeți compartimentul periei rotative cu o cârpă moale, umedă. Lăsați-l să se usuce complet.
3. Reintroduceți peria rotativă în compartimentul său până când se fixează corespunzător în poziție. Glisați placa de blocare din  spre .

# ОБЗОР СОДЕРЖАНИЯ

1. ПРАВИЛА ТЕХНИКИ БЕЗОПАСНОСТИ	С. 72
2. ТЕХНИЧЕСКИЕ ХАРАКТЕРИСТИКИ	С. 77
3. ОПИСАНИЕ ИЗДЕЛИЯ	С. 78
4. УСТАНОВКА	С. 78
5. ЭКСПЛУАТАЦИЯ ПРИБОРА	С. 79
6. ОБСЛУЖИВАНИЕ И ОЧИСТКА	С. 80

## 1. ПРАВИЛА ТЕХНИКИ БЕЗОПАСНОСТИ

Перед использованием этого устройства внимательно изучите следующие инструкции и сохраните руководство пользователя, чтобы обращаться к нему при необходимости.

RU

1. Прибор разрешается эксплуатировать детям от 8 лет и старше, лицам с ограниченными физическими, сенсорными или умственными возможностями, а также лицам, не обладающим достаточным опытом и знаниями, только под присмотром или после прохождения инструктажа о порядке безопасной эксплуатации прибора и сопутствующих рисках.
2. Детям запрещается играть с прибором.
3. Очистка и обслуживание прибора детьми допускаются только под надзором.
4. Если шнур питания поврежден, то во избежание опасности он должен быть заменен представителем производителя или его официального сервиса, либо лицом, обладающим надлежащей квалификацией.
5. Прибор предназначен для использования исключительно с блоком питания, входящим в комплект поставки.
6.  **ВНИМАНИЕ.** Для подзарядки аккумуляторной батареи используйте только съемный блок питания (MC2805B-V), входящий в комплектацию этого устройства.
7. **ВНИМАНИЕ.** Это зарядное устройство для аккумуляторных батарей предназначено для зарядки только этого пылесоса. НЕ ИСПОЛЬЗУЙТЕ это зарядное устройство для аккумуляторных батарей для зарядки других устройств!
8. Данный прибор содержит аккумуляторы, замену которых может производить только квалифицированный персонал.
9. Перед очисткой или техническим обслуживанием прибора необходимо извлечь вилку из розетки.



10. При техническом обслуживании прибора необходимо соблюдать меры предосторожности. Указания по очистке и техническому обслуживанию устройства см. в разделе «**ОБСЛУЖИВАНИЕ И ОЧИСТКА**».
11. **ПРЕДУПРЕЖДЕНИЕ.** Только для использования в бытовых целях внутри помещений! Не используйте прибор вне помещений.
12. Перед заменой аксессуаров необходимо выключить прибор.
13. Не используйте прибор после его падения, при наличии видимых повреждений или протечке аккумуляторной батареи.
14. Держите волосы, свободные элементы одежды, пальцы и другие части тела подальше от отверстий.
15. **ВНИМАНИЕ.** Запрещено использовать прибор без фильтра. Оптимальный сбор пыли достигается только при использовании чистого фильтра и пустого контейнера пылесборника.
16. Во избежание повреждения прибора и/или получения травм запрещено использовать какие-либо аксессуары, кроме входящих в комплект поставки.
17. Сведения о зарядке см. в разделе «**5.1. ЗАРЯДКА**».
18. «**2. ТЕХНИЧЕСКИЕ ХАРАКТЕРИСТИКИ**» содержит сведения о типах батарей.
19. Дотрагивайтесь до вилки и выключайте прибор только сухими руками.
20. Не прикасайтесь к портативному ручному пылесосу и его зарядной станции мокрыми или влажными руками.
21. Запрещено использовать поврежденный шнур питания, вилку или розетку.
22. Перед эксплуатацией полностью размотайте шнур питания. Запрещено заряжать прибор со свернутым шнуром питания, так как это может привести к перегреву. Во избежание поражения электрическим током не перегибайте, не растягивайте и не тяните за шнур питания.
23. Не прокладывайте шнур питания через острые края.
24. Следите за тем, чтобы шнур питания не свисал с края, не касался горячих поверхностей и не образовывал узел. Не ставьте на шнур питания тяжелые предметы, которые могут повредить его.
25. Не тяните за шнур питания, чтобы извлечь вилку из розетки или передвинуть прибор.
26. Перед подключением к розетке убедитесь, что на вилке отсутствует пыль или вода.
27. Подключите сетевую вилку к легкодоступной розетке, чтобы быстро отключить прибор от электросети в случае чрезвычайной ситуации.

28. В целях безопасности рекомендуется подключать прибор непосредственно к отдельной электрической розетке в специализированной цепи, без других приборов. Перегрузка электроцепи другими приборами может привести к сбою в эксплуатации прибора. Не рекомендуется использовать прибор в сочетании с удлинителями различных типов.
29. Не оставляйте шнур питания лежать на полу.
30. Расположите его так, чтобы исключить возможность споткнуться или запутаться.
31. Не погружайте прибор в воду. Не используйте прибор вблизи воды.
32. Запрещено пользоваться прибором, если он упал в воду или другую жидкость. Прибор должен быть проверен квалифицированным техническим специалистом.
33. Не допускайте воздействия дождя и условий влажности.
34. Запрещено размещать прибор под прямыми солнечными лучами, в закрытом пространстве с ограниченной вентиляцией или с другими источниками тепла.
- RU** 35. Запрещено использовать изделие при наличии видимых повреждений.
36. Рекомендуется регулярно осматривать прибор.
37. Перед первым использованием прибора удалите и безопасным образом утилизируйте все упаковочные материалы и рекламные этикетки. Не снимайте паспортные таблички и информацию по безопасности!
38. Хранение и эксплуатация пылесоса допустимы только при комнатной температуре. Запрещено использовать прибор при чрезвычайно низких (ниже 0 °C) или высоких (выше 40 °C) температурах.
39. Запрещено использовать прибор для сбора дымящихся или горящих предметов, например сигарет, горячей золы или спичек.
40. Запрещено использовать прибор для сбора воспламеняющихся или горючих жидкостей, например метилового спирта, бензина, ацетона и т. д., а также в зонах, где могут присутствовать эти жидкости.
41. Запрещено собирать прибором острые и твердые предметы, например осколки стекла, металлическую стружку, монеты, гвозди, винты и т. д.
42. Запрещено собирать прибором корродирующие или токсичные вещества, например неорганические кислоты, щелочные растворы, окислители, средства для удаления засоров, хлорсодержащий отбеливатель, аммиак и т. д.


- 43. Запрещено использовать прибор в закрытых пространствах, содержащих пары масляной краски, противомольных веществ, разбавителей краски, воспламеняющейся пыли или другие токсичные или взрывоопасные пары.
- 44. Запрещено использовать прибор для сбора воды, жидкостей или влажной грязи.
- 45. Не следует использовать пылесос вблизи настольных ламп, свечей, а также мест, содержащих бензин, дистиллированный спирт, растворители, пепельницы с зажженными сигаретами и т. д.
- 46. Запрещено закорачивать зарядные штырьки металлическими объектами, например отвертками и т. д.
- 47. **ПРЕДУПРЕЖДЕНИЕ.** Ни при каких обстоятельствах не вскрывайте корпус прибора. Не вставляйте пальцы или посторонние предметы в отверстия на корпусе прибора; не загораживайте вентиляционные отверстия. Воздух должен свободно проходить через вентиляционные отверстия, чтобы прибор работал надлежащим образом и для предотвращения опасного перегрева. Не накрывайте прибор.
- 48. Перед каждым использованием проверяйте, что в отверстиях отсутствует пыль, волосы, ворсинки и что-либо, что может ограничить поток.
- 49. Ремонт может осуществляться только уполномоченными техническими специалистами. Пользователи или другие неуполномоченные лица не должны пытаться выполнить ремонт или демонтаж прибора. Ненадлежащий ремонт может привести к существенной опасности.
- 50. Напряжение питания должно соответствовать указанному в технических характеристиках и на паспортной табличке прибора.
- 51. Проверьте исправность пылесоса. **НЕ** пользуйтесь поврежденным прибором.
- 52. Если контакты вилки повреждены, штепсельный источник питания необходимо утилизировать.

RU

#### 1.1. ИНСТРУКЦИИ ПО БЕЗОПАСНОЙ ЭКСПЛУАТАЦИИ ЭЛЕМЕНТА ПИТАНИЯ


- 53. **ПРЕДУПРЕЖДЕНИЯ:** Этот портативный ручной пылесос содержит аккумуляторные батареи, не подлежащие замене. И использованные батарейки нельзя утилизировать вместе с бытовым мусором. Перед утилизацией батареи необходимо извлечь из устройства. Для извлечения батарей прибор необходимо отправить на соответствующую площадку для утилизации/сбора отходов. Для вашей безопасности не пытайтесь извлекать аккумуляторные батареи самостоятельно. Если батареи извлечь неправильно, это может привести к повреждению батарей и устройства, причинить травмы и/или сделать устройство небезопасным.



54. Воздействие на батарейку чрезмерно горячей окружающей среды может привести к взрыву или утечке воспламеняющейся жидкости или газа.
55. Воздействие на батарею очень низкого давления может привести к взрыву или утечке воспламеняющейся жидкости или газа.
56. При протекании батарейки и контакте с глазами, кожей или одеждой обильно промойте пораженное место водой. При контакте с глазами или кожей обратитесь к врачу.
57. Батареи герметичны и при нормальных условиях не представляют угрозу безопасности. В маловероятном случае протекания батареи не прикасайтесь к жидкости и соблюдайте следующие меры предосторожности:
- **Контакт с кожей:** может вызвать раздражение. Промойте водой с мылом.
  - **Вдыхание:** может вызвать раздражение дыхательных путей. Выйдите на свежий воздух и обратитесь к врачу.
  - **Попадание в глаза:** может вызвать раздражение. Тщательно промывайте глаза минимум 15 минут. Обратитесь за медицинской помощью.
  - **Утилизация:** наденьте перчатки и немедленно утилизируйте батареи в соответствии с предписаниями местных органов власти.
58. **ПРЕДУПРЕЖДЕНИЯ:** Во время зарядки устройство должно находиться в хорошо проветриваемом помещении.
59. Маркировка устройства (символ перечеркнутой мусорной корзины) отвечает европейской директиве 2012/19/EU, относящейся к лому электрического и электронного оборудования. Эта маркировка означает, что  оборудование в конце срока службы нельзя утилизировать с бытовым мусором. Пользователь обязан сдать его операторам, занимающимся сбором использованного электрического и электронного оборудования. Операторы по сбору, в том числе местные пункты приема, цеха и местные власти, создают подходящую систему для сбора оборудования. Надлежащий сбор использованного электрического и электронного оборудования помогает избежать вредного влияния на здоровье людей и окружающую среду, которое может возникать из-за наличия опасных компонентов, а также из-за нарушения правил хранения оборудования и обращения с ним.

RU



60.  Запрещено утилизировать батареи вместе с бытовыми отходами. Передавайте их на специальные пункты сбора с целью утилизации. Проконсультируйтесь по поводу утилизации с местными органами власти или магазином, где был приобретен товар. Надлежащая утилизация старых батарей способствует охране окружающей среды и здоровья человека.

## 2. ТЕХНИЧЕСКИЕ ХАРАКТЕРИСТИКИ

### 2.1. ОСНОВНАЯ ЧАСТЬ

Аккумуляторная батарея	Литий-ионная на 21,6 В <sup>---</sup> , 2000 мА·ч (С6) 6INR19/22
Номинальное напряжение	21,6 В <sup>---</sup>
Номинальная мощность	150 Вт
Номинальное напряжение (моторизованная чистящая головка)	25,2 В <sup>---</sup>
Номинальная мощность (моторизованная чистящая головка)	10 Вт
Элемент аккумуляторной батареи	ISR18650-2000; 3,7 В, 2000 мА·ч
Аккумуляторный блок	BP21620H; 21,6 В, 2,0А·ч, 43,2 Вт·ч
Время работы в режиме низкой мощности всасывания	Около 15 минут
Время работы в режиме высокой мощности всасывания	Около 40 минут
Время зарядки	4–6 ч
Объем емкости пылесборника	0,6 л
Уровень звуковой мощности	80 дБ
Мощность всасывания	6 кПа, 30 Вт

RU

### 2.2. АДАПТЕР ПЕРЕМЕННОГО ТОКА

Наименование производителя или торговой марки, регистрационный номер в торговом реестре и адрес	Jiangsu Midea Cleaning Appliances Co., Ltd No.39 Caohu Avenue, Xiangcheng Economic Development Zone, Suzhou, Jiangsu	
Идентификационный номер модели	MC2805B-V	-
Входное напряжение	100–240	В~
Входная частота переменного тока	50–60	Гц
Выходное напряжение	25,0, 29,0	В <sup>---</sup>
Выходная сила тока	0,5	А
Выходная мощность	12,5, 14,5	Вт
Средний активный КПД	86,9	%
КПД при низкой нагрузке (10 %)	73,1	%
Потребляемая мощность без нагрузки	0,08	Вт

### 3. ОПИСАНИЕ ИЗДЕЛИЯ

- |   |  |
|---|--|
| 1. Кнопка питания                             | 12. Световые индикаторы                        |
| 2. Кнопка мощности всасывания Low/High        | 13. Вентиляционные отверстия                   |
| 3. Кнопка расфиксации трубки                  | 14. Основной корпус                            |
| 4. Фиксатор для складывания                   | 15. Фильтр                                     |
| 5. Кнопка фиксации напольной насадки          | 16. Щелевая насадка                            |
| 6. Напольная насадка                          | 17. Круглая щетка-насадка два в одном          |
| 7. Светодиодная лампа                         | 18. Адаптер питания                            |
| 8. Ручка                                      | 19. Настенный кронштейн                        |
| 9. Зарядное отверстие                         | 20. Чехол для шнура                            |
| 10. Емкость пылесборника                      | 21. Моторизированная насадка для уборки шерсти |
| 11. Кнопка разблокировки емкости пылесборника |  |

### 4. УСТАНОВКА

#### 4.1. МОНТАЖ НАСТЕННОГО КРОНШТЕЙНА

Прибор предназначен для вертикального размещения на настенном кронштейне.

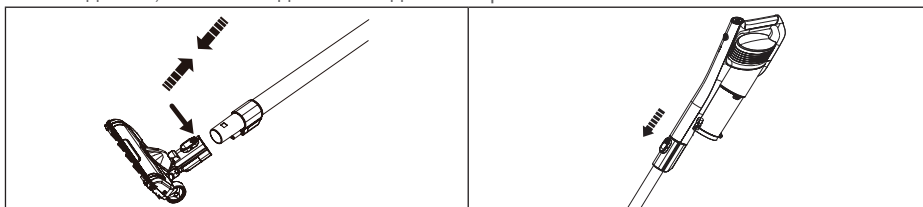
RU

1. Выберите положение установки рядом с электрической розеткой.
2. Вставьте в отверстия пластиковые дюбели (не поставляются в комплекте).
3. Прикрепите настенный кронштейн к стене и затяните два винта M4x20 (не входят в комплектацию).

**Примечание.** Следите за тем, чтобы при подготовке крепежных отверстий случайно не просверлить скрытые в стенах трубы или электропроводку. Крепежные отверстия должны выдерживать полный вес устройства.

#### 4.2. СБОРКА ПОРТАТИВНОГО РУЧНОГО ПЫЛЕСОСА

1. Вставьте трубку в соединитель напольной насадки и нажмите на нее до щелчка, чтобы надежно закрепить.
2. Вставьте основной корпус в верхнюю часть трубки и нажмите на него до щелчка, чтобы надежно закрепить.
3. Убедитесь, что все соединения надежно закреплены.

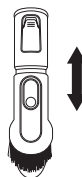


#### 4.3. Установка и снятие аксессуаров

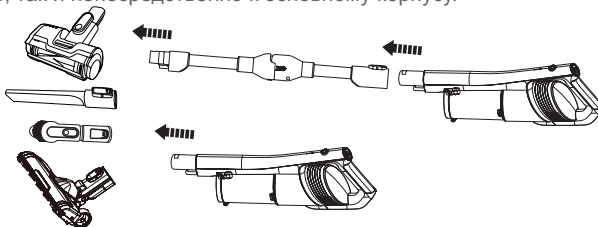
**ПРЕДУПРЕЖДЕНИЕ.** Перед заменой аксессуаров всегда сначала выключайте пылесос.

**ПРЕДУПРЕЖДЕНИЕ. Риск травмы!** Не подносите щелевую насадку близко к телу, чтобы она случайно не присосалась к коже. В таком случае немедленно выключите прибор.

- Для использования круглой щетки-насадки два в одном нажмите кнопку фиксации, чтобы отсоединить щетку-насадку, затем сдвиньте ее вверх или вниз до фиксации.

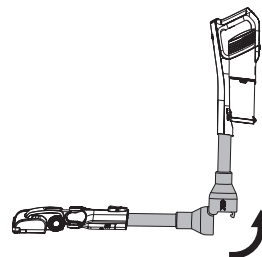


- Все четыре аксессуара — щелевую насадку, моторизированную насадку для уборки шерсти, круглую щетку-насадку два в одном и напольную насадку — можно присоединить как к трубке, так и непосредственно к основному корпусу.



#### 4.4. СКЛАДЫВАНИЕ ТРУБКИ

Чтобы легко проникнуть в труднодоступные места под мебелью, потяните фиксирующий ползунок вверх, чтобы уменьшить угол наклона трубки.



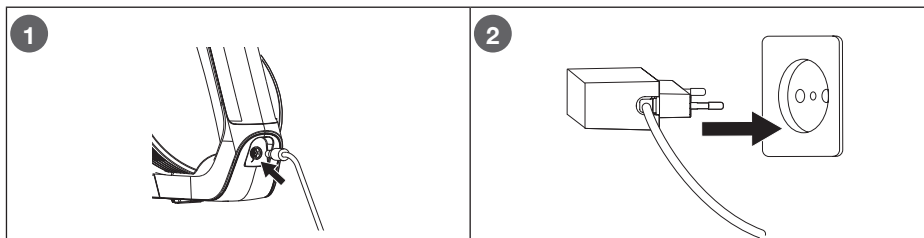
RU

## 5. ЭКСПЛУАТАЦИЯ ПРИБОРА

### 5.1. ЗАРЯДКА

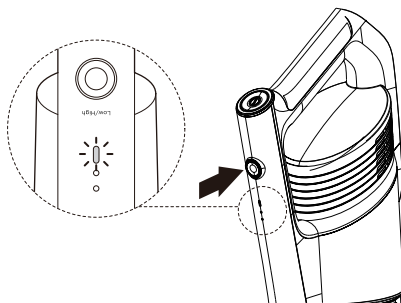
#### Примечания:

- Прибор запрещено использовать во время зарядки.
  - Если индикатор заряда аккумуляторной батареи мигает, зарядите батарею.
1. Повесьте устройство на комплектный настенный кронштейн. Подключите штекер зарядного устройства к зарядному разъему в верхней части ручки.
  2. Подключите зарядное устройство к настенной розетке.
  3. В ходе зарядки на ручке загораются индикаторные полоски, отображающие уровень заряда батареи. Мигание индикаторных полосок указывает, что аккумуляторная батарея заряжается. Если аккумуляторная батарея полностью заряжена, то все индикаторы ВЫКЛЮЧЕНЫ.



## 5.2. ЭКСПЛУАТАЦИЯ ПЫЛЕСОСА

1. Присоедините нужное приспособление к всасывающему отверстию трубки или непосредственно к основному корпусу.
2. Для включения прибора нажмите кнопку питания.
3. У этого прибора есть режимы низкой и высокой мощности всасывания. Чтобы настроить мощность всасывания, нажимайте кнопку управления мощностью всасывания Low/High. Если выбрана «Высокая» мощность всасывания, то светодиодный индикатор горит.



**Примечание.** После включения пылесоса по умолчанию используется «Высокая» мощность всасывания.

4. После завершения уборки нажмите кнопку питания снова, чтобы отключить прибор.
5. Опорожните и очистите емкость пылесборника. Повесьте устройство на комплектный настенный кронштейн.

## 6. ОБСЛУЖИВАНИЕ И ОЧИСТКА

**Примечание.** Всегда выключайте и отключайте прибор от сети (при зарядке) перед заменой аксессуаров, очисткой или техническим обслуживанием.

RU

1. Не погружайте прибор, шнур питания и адаптер в воду или любые другие жидкости.
2. Не допускайте контакта с коррозионными жидкостями и материалами. Не используйте абразивные чистящие средства, химические вещества, чистящие средства для стекол, универсальные чистящие средства, дезинфицирующие средства или средства для ухода на масляной основе! Эти вещества могут повредить прибор.

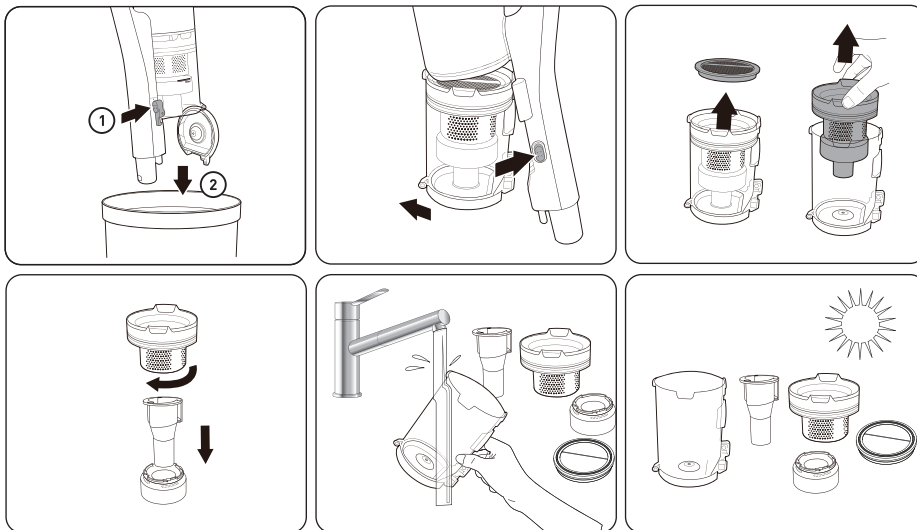
### 6.1. ОЧИСТКА ОСНОВНОГО КОРПУСА И АКСЕССУАРОВ

1. Протирайте основной корпус мягкой влажной тканью. Не допускайте попадания воды внутрь прибора. Перед использованием дайте прибору полностью высохнуть.
2. Очищайте аксессуары мягкой влажной тканью. При необходимости используйте небольшое количество мягкого моющего средства. Дайте аксессуарам полностью высохнуть.

### 6.2. ОЧИСТКА ЕМКОСТИ ПЫЛЕСБОРНИКА

1. Отстегните защелку в нижней части пылесборника, чтобы открыть его крышку. Опустошите содержимое.
2. Осторожно извлеките фильтр и его защиту из емкости пылесборника над мусорным контейнером. Вытряхните содержимое емкости пылесборника в мусорный контейнер и очистите влажной тканью, мягкой щеткой или при необходимости промойте холодной водой. Перед установкой на место проверьте, что емкость пылесборника полностью высохла.
3. Поверните фильтр против часовой стрелки и поднимите его вверх, чтобы извлечь его из защиты. Очистите фильтр сухой тканью или мягкой щеткой. При необходимости промойте фильтр и его защиту снаружи холодной водой до ее прозрачности. Промывайте фильтр регулярно или по необходимости. Положите фильтр и его защиту на бок и оставьте до полного высыхания.
4. После полного высыхания установите сначала защиту фильтра на место в емкость пылесборника. Вставьте фильтр в защиту и зафиксируйте его, повернув по часовой стрелке. Проверьте, что она установлена надлежащим образом. Затем установите фильтр в защиту фильтра.
5. Заново установите емкость пылесборника в основной корпус.

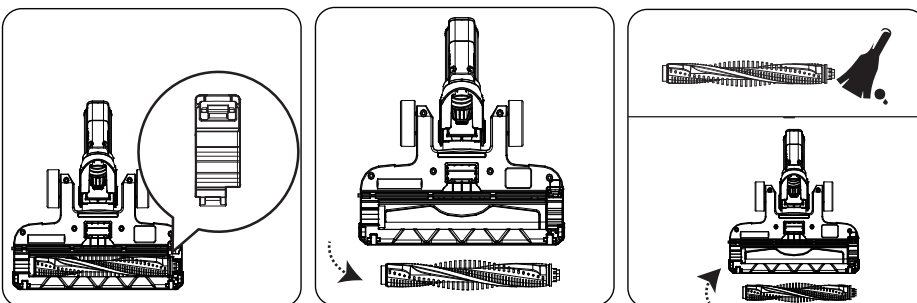




### 6.3. ОБСЛУЖИВАНИЕ НАПОЛЬНОЙ НАСАДКИ

**Примечание.** Если вы наедете на твердый или острый объект или заметите изменение звука при работе пылесоса, осмотрите пылесос на предмет засорения или попадания объектов в роликовую щетку.




1. Потяните вниз ползунок в верхней части съемной планки и извлеките планку. Затем вытяните роликовую щетку.
2. Очистите роликовую щетку и удалите стойкие загрязнения. Обрежьте ножницами нитки и волосы, намотавшиеся на роликовую щетку. Протрите отсек роликовой щетки мягкой, влажной тканью. Дайте ей полностью высохнуть.
3. Вставьте роликовую щетку на место. Чтобы установить съемную планку на место, вставьте ее нижнюю часть в отверстие, затем нажмите сверху до щелчка.



RU

#### 6.4. ОБСЛУЖИВАНИЕ МОТОРИЗИРОВАННОЙ НАСАДКИ ДЛЯ УБОРКИ ШЕРСТИ

**Примечание.** Если вы наедете на твердый или острый объект или заметите изменение звука при работе пылесоса, осмотрите пылесос на предмет засорения или попадания объектов в роликовую щетку.

1. Чтобы извлечь роликовую щетку из моторизированной насадки для уборки шерсти, сдвиньте ползунковый фиксатор из положения  в положение . Аккуратно вытащите роликовую щетку сбоку.
2. Очистите роликовую щетку и удалите стойкие загрязнения. Обрежьте ножницами нитки и волосы, намотавшиеся на роликовую щетку. Протрите отсек роликовой щетки мягкой, влажной тканью. Дайте ей полностью высохнуть.
3. Установите роликовую щетку на место. Убедитесь, что она зафиксировалась со щелчком. Переместите ползунковый фиксатор из положения  в положение .


RU

# ОГЛЯД ЗМІСТУ

1. ІНСТРУКЦІЇ З ТЕХНІКИ БЕЗПЕКИ	С. 83
2. ТЕХНІЧНІ СПЕЦИФІКАЦІЇ	С. 88
3. ОПИС ПРИСТРОЮ	С. 89
4. УСТАНОВЛЕННЯ	С. 89
5. ВИКОРИСТАННЯ ПРИСТРОЮ	С. 90
6. ОБСЛУГОВУВАННЯ ТА ЧИЩЕННЯ	С. 91

## 1. ІНСТРУКЦІЇ З ТЕХНІКИ БЕЗПЕКИ

Перед використанням цього пристрою уважно ознайомтеся з цими інструкціями та зберігайте цей посібник користувача для використання в майбутньому.

1. Цим пристроєм можуть користуватися діти віком від 8 років, а також особи з обмеженими фізичними, сенсорними чи розумовими здібностями, або з відсутністю досвіду та знань, але лише під наглядом або після проведення з ними інструктажу щодо безпечного використання цього приладу та усвідомлення ними небезпеки, що випливає з використання цього приладу.
2. Діти не повинні гратися з цим приладом.
3. Діти не повинні чистити та доглядати прилад без нагляду дорослих.
4. Щоб запобігти виникненню небезпечних ситуацій, заміна пошкодженого кабелю живлення має виконуватися виробником, його представником із технічного обслуговування або особами з відповідною кваліфікацією.
5. Цей прилад має використовуватися виключно із блоком електроживлення, наданим разом із приладом.
6.  **УВАГА!** Для заряджання акумулятора використовуйте лише знімний блок живлення (MC2805B-V), який входить у комплект приладу.
7. **УВАГА!** Цим зарядним пристроєм можна заряджати лише акумулятор цього пилососа. НЕ використовуйте цей зарядний пристрій для заряджання інших виробів!
8. Цей прилад містить акумуляторні батареї, які повинен замінювати виключно кваліфікований персонал.
9. Перед очищенням або обслуговуванням пристрою необхідно вийняти вилку живлення з мережевої розетки.
10. Будьте обережні під час обслуговування пристрою. Про обслуговування та очищення читайте у пункті «**ОБСЛУГОВУВАННЯ ТА ЧИЩЕННЯ**».

UA

11. **ПОПЕРЕДЖЕННЯ:** Лише для побутового використання у приміщенні! Використовуйте цей пристрій тільки у приміщенні.
12. Перед заміною аксесуарів вимкніть пристрій.
13. Не використовуйте пристрій, якщо він упав, має видимі ознаки пошкодження або акумуляторна батарея протікає.
14. Тримайте волосся, вільний одяг, пальці та інші частини тіла подалі від отворів.
15. **УВАГА!** Ніколи не використовуйте пристрій без фільтра. Найкраще всмоктування пилу буде тільки в тому разі, якщо фільтр буде чистим, а пилозбірник порожнім.
16. Щоб уникнути пошкодження пристрою та/або травмування, використовуйте тільки надані виробником аксесуари.
17. Інформацію про зарядження читайте в розділі «5.1. ЗАРЯДКА».
18. **2. ТЕХНІЧНІ СПЕЦИФІКАЦІЇ**, щоб дізнатися тип акумуляторних батарей.
19. Перш ніж вставляти вилку або вмикати прилад, завжди стежте, щоб руки були сухі.
20. Ніколи не торкайтеся ручного пилососа й зарядної станції вологими або мокрими руками.
21. Не використовуйте пошкоджений кабель живлення, вилку живлення або незакріплену електричну розетку.
22. Перед використанням повністю розмотайте кабель живлення. Не заряджайте пристрій, якщо кабель живлення скручений. Це може спричинити перегрівання. Щоб уникнути ураження електричним струмом, не згинайте, не розтягуйте й не тягніть кабель живлення.
23. Не прокладайте кабель живлення через гострі краї.
24. Не допускайте, щоб кабель живлення звисав над краєм, торкався гарячих поверхонь або заплутувався. Не ставте на кабель живлення важкі предмети, які можуть його пошкодити.
25. Ніколи не виймайте вилку з розеток та не переміщуйте пристрій, тягнучи за кабель живлення.
26. Перш ніж вставити вилку живлення у мережеву розетку, переконайтеся, що на вилці немає пилу або води.
27. Щоб швидко відключити пристрій від електромережі у випадку надзвичайної ситуації, під'єднуйте його легко доступної розетки.
28. З міркувань безпеки рекомендується підключати пилосос до призначеної для нього розетки в спеціально виділеному контурі, окремо від інших приладів. Якщо електричний контур перевантажено іншими приладами, пилосос може не працювати належним чином. Не рекомендується використовувати з розгалужувачем або подовжувачем живлення.
29. Не залишайте кабель живлення на підлозі.

30. Завжди розташовуйте кабель живлення таким чином, щоб ніхто не міг за нього зачепитись або заплутатися у ньому.
31. Не занурюйте пристрій у воду. Не використовуйте його поблизу води.
32. Не використовуйте пристрій, якщо він упав у воду чи інші рідини. Пристрій повинен перевірити кваліфікований спеціаліст з ремонту.
33. Не залишайте пристрій під дощем, а також в умовах підвищеної вологості.
34. Не залишайте пристрій під прямими сонячними променями або у закритому приміщенні з поганою вентиляцією або з іншими джерелами тепла.
35. Не використовуйте пристрій з видимими пошкодженнями.
36. Рекомендується регулярно оглядати прилад.
37. Перед першим використанням ручного пилососа зніміть і безпечно викиньте всі пакувальні матеріали та рекламні наклейки. Не знімайте паспортні таблички та інформацію з техніки безпеки!
38. Зберігайте й використовуйте цей пилосос лише при кімнатній температурі. Заборонено використовувати пристрій при занадто низьких (нижче 0 °C) або високих (вище 40 °C) температурах.
39. Ніколи не використовуйте ручний пилосос для збирання предметів, що димляться або горять, наприклад, сигарет, гарячого попелу або сірників.
40. Ніколи не використовуйте пристрій для збирання легкозаймистих або горючих рідин, наприклад, метилового спирту, бензину, ацетону тощо, а також не використовуйте пилосос там, де ці рідини можуть бути присутні.
41. Ніколи не використовуйте пристрій для збирання гострих і твердих предметів, наприклад, скла, металевої стружки, монет, цвяхів, гвинтів тощо.
42. Ніколи не використовуйте пристрій для збирання корозійних або токсичних матеріалів, наприклад, мінеральних кислот, лужних розчинів, окислювачів, засобів для видалення засмічень в трубах, хлорних засобів для відбілювання, аміаку тощо.
43. Ніколи не використовуйте пристрій у закритому приміщенні, заповненому випарами фарби на масляній основі, речовин, що захищають від молі, розчинника фарби, горючим пилом або іншими токсичними або вибухонебезпечними парами.
44. Не використовуйте пристрій для всмоктування води, рідин або вологого бруду.
45. Уникайте використання пилососа в місцях із настільними лампами й свічками, а також у місцях з бензином, дистильованим спиртом, розчинником, попільничками з непогашеними сигаретами тощо.

- 46. Ніколи не допускайте короткого замикання зарядних контактів металевими предметами, наприклад викрутками тощо.
- 47. **ПОПЕРЕДЖЕННЯ:** У жодному разі не відкривайте корпус пилососа. Ніколи не вставляйте пальці або сторонні предмети в отвори пристрою і не закривайте вентиляційні отвори. Щоб пристрій працював безперебійно, а також щоб уникнути небезпечного перегріву, не закривайте вентиляційні отвори. Забороняється накривати пристрій.
- 48. Перед кожним використанням переконайтеся, що в отворах немає пилу, волосся, ворсу й всього, що може перешкоджати потоку.
- 49. Тільки особи з відповідною кваліфікацією можуть ремонтувати пристрій. Користувачі або інші некваліфіковані особи не повинні ремонтувати або розбирати пристрій. Некваліфікований ремонт може призвести до значних небезпечних наслідків.
- 50. Напруга в електромережі повинна відповідати технічним специфікаціям та паспортній табличці пристрою.
- 51. Переконайтеся, що пилосос не пошкоджений. **НЕ** використовуйте їх, якщо він зламаний чи розбитий.
- 52. Якщо штир вилки пошкоджений, вилку необхідно утилізувати.

UA

#### 1.1. ПРАВИЛА ТЕХНІКИ БЕЗПЕКИ ПРИ ВИКОРИСТАННІ БАТАРЕЙОК

- 53. **УВАГА.** Ручний пилосос містить незмінні акумулятори. Використані батареї не можна утилізувати разом із побутовим сміттям. Перед утилізацією приладу акумулятор має бути вилучений. Щоб вийняти батареї, віднесіть пристрій до спеціалізованого центру утилізації та збору. Задля вашої безпеки не намагайтеся вийняти батареї самостійно. Якщо їх вийняти неправильно, можна пошкодити самі батареї або пристрій, зазнати травмування й (або) зробити батареї небезпечними для життя та здоров'я.
- 54. Не залишайте батарейку під впливом високої навколишньої температури, це може призвести до вибуху або витоку вогненебезпечної рідини або газу.
- 55. Не піддавайте батарейку впливу надзвичайно низького тиску повітря. Це може призвести до вибуху або витоку вогненебезпечної рідини чи газу.
- 56. У разі витікання рідини з батарейки й контакту з очима, шкірою або одягом негайно промийте великою кількістю чистої води. У разі потрапляння в очі або на шкіру негайно зверніться до лікаря.

57. Акумуляторні батареї — герметичний блок. За звичайних обставин вони не становлять небезпеки. Якщо з акумуляторної батареї буде витікати рідина, що мало ймовірно, не торкайтеся цієї рідини й дотримуйтеся таких запобіжних заходів:

- **Потрапляння на шкіру:** може спричинити подразнення. Змийте водою з милом.
- **Вдихання:** може спричинити подразнення дихальних шляхів. Вийдіть на свіже повітря та зверніться за медичною допомогою.
- **Потрапляння в очі:** може спричинити подразнення. негайно промийте очі водою протягом щонайменше 15 хвилин. Зверніться за медичною допомогою.
- **Утилізація:** щоб взяти в руки акумуляторну батарею, надягайте рукавички. Утилізуйте батареї якомога швидше, дотримуючись приписів або інструкцій місцевих органів влади.

58. **УВАГА.** Під час заряджання виріб слід помістити в добре провітрюване місце.

59. Маркування на пристрої (знак закресленого бака для сміття) відповідає Директиві 2012/19/ЄС щодо «утилізації електричного й електронного обладнання». Це маркування вказує на неможливість утилізації обладнання, строк експлуатації якого закінчився, разом з іншим побутовим сміттям. Користувач повинен доставити таке обладнання операторам, які збирають вживане електричне й електронне обладнання. Оператори збору, включно з місцевими пунктами збору, магазинами й місцевими органами влади, створюють відповідну систему збору обладнання. Належний збір вживаного електричного й електронного обладнання допомагає уникнути шкідливого впливу на здоров'я людини й навколишнє середовище через вміст у ньому небезпечних компонентів, а також через неправильне зберігання й поводження з цим обладнанням.

60. Акумулятори не слід утилізувати разом із побутовими відходами. Утилізуйте їх у передбачених для цього пунктах збору. Зверніться за порадами стосовно утилізації до місцевих органів влади або до свого дилера. Правильна утилізація старих батарей допомагає зберегти довкілля та здоров'я.

UA

## 2. ТЕХНІЧНІ СПЕЦИФІКАЦІЇ

### 2.1. ОСНОВНИЙ АПАРАТ

Акумуляторна батарея	Літій-іонна 21,6 В ---, 2000 мА·год (С6) 61NR19/22
Номінальна напруга	21,6 В ---
Номінальна потужність	150 Вт
Номінальна напруга (моторизована головка для чищення)	25,2 В ---
Номінальна потужність (моторизована головка для чищення)	10 Вт
Елемент акумуляторної батареї	ISR18650-2000; 3,7 В, 2000 мА·год
Блок акумуляторної батареї	BP21620H; 21,6 В, 2,0 А·год, 43,2 Вт·год
Час роботи, якщо потужність всмоктування низька	Приблизно 15 хвилин
Час роботи, якщо потужність всмоктування висока	Приблизно 40 хвилин
Час зарядки	4–6 годин
Ємність пилосбірника	0,6 л
Рівень звукової потужності	80 дБ
Потужність всмоктування	6 кПа, 30 Вт

UA

### 2.2. МЕРЕЖЕВИЙ АДАПТЕР

Назва виробника або торгової марки, номер реєстрації у торговому реєстрі та адреса	Jiangsu Midea Cleaning Appliances Co., Ltd No.39 Caohu Avenue, Xiangcheng Economic Development Zone, Suzhou, Jiangsu	
Код моделі	MC2805B-V	-
Вхідна напруга	100–240	В~
Частота вхідного змінного струму	50–60	Гц
Вихідна напруга	25,0, 29,0	В ---
Вихідний струм	0,5	А
Вихідна потужність	12,5, 14,5	Ш
Середній ККД в активному стані	86,9	%
ККД за низького навантаження (10%)	73,1	%
Споживана потужність без навантаження	0,08	Ш



### 3. ОПИС ПРИСТРОЮ

- |  |   |
|--|---|
| 1. Кнопка живлення                             | 12. Світлові індикатори                 |
| 2. Кнопка «Low»/«High» потужність всмоктування | 13. Вентиляційні отвори                 |
| 3. Кнопка вивільнення трубки                   | 14. Корпус                              |
| 4. Фіксатор згинання                           | 15. Фільтр                              |
| 5. Кнопка фіксатора щітки для підлоги          | 16. Щілинна насадка-носік               |
| 6. Насадка для підлоги                         | 17. Насадка з круглою щіткою 2 в 1      |
| 7. Світлодіоди                                 | 18. Адаптер                             |
| 8. Ручка                                       | 19. Настінний кронштейн                 |
| 9. Гніздо для зарядження                       | 20. Тримач шнура                        |
| 10. Пилосбірник                                | 21. Моторизований інструмент для тварин |
| 11. Кнопка фіксатора пилосбірника              |   |

### 4. УСТАНОВЛЕННЯ

#### 4.1. МОНТАЖ НАСТІННОГО КРОНШТЕЙНА

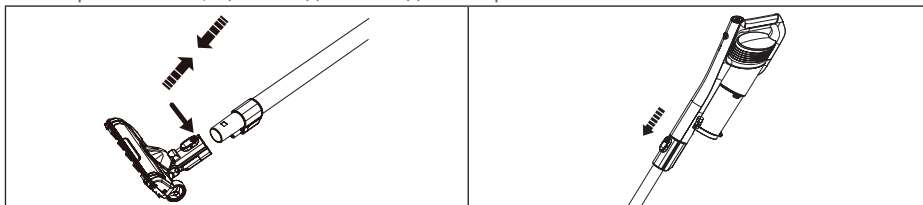
Пристрій треба встановлювати вертикально в настінному кронштейні.

1. Виберіть ділянку для монтажу, що розташована поблизу електричної розетки.
2. Вставте в отвори пластикові дюбеля-метелики (не входять до комплекту).
3. Закріпіть кронштейн на стіні та затягніть два гвинти M4x20 (не входять у комплект).

**Примітка:** Під час підготовки монтажних отворів будьте обережні, щоб не просвердлили труби або кабелі, які можуть знаходитися під поверхнею. Точки кріплення мають витримувати повну вагу виробу.

#### 4.2. ЗБИРАННЯ РУЧНОГО ПИЛОСОСА

1. Вставте трубку в отвір насадки для підлоги та натисніть, доки вона надійно не зафіксується з клацанням.
2. Вставте основний корпус у верхню частину трубки та натисніть, доки він надійно не зафіксується з клацанням.
3. Переконайтеся, що всі з'єднання надійно зафіксовані.

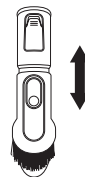


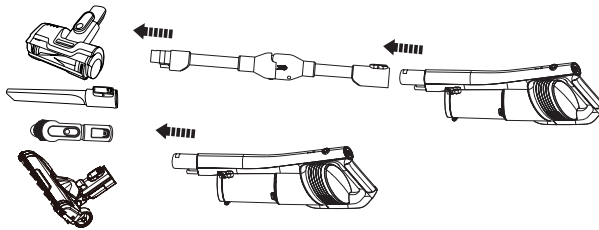
#### 4.3. Установлення та зняття аксесуарів

**ПОПЕРЕДЖЕННЯ:** Перш ніж змінити аксесуари, завжди вимикайте пилосос.

**ПОПЕРЕДЖЕННЯ: Ризик травмування!** Ніколи не піднімайте щілинну насадку близько до тіла — вона може присмоктатися до шкіри. Якщо це сталося, негайно вимкніть пристрій.

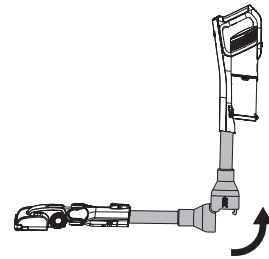
- Щоб використовувати насадку з круглою щіткою 2 в 1, натисніть кнопку вивільнення, щоб звільнити щітку, і посуňte її вгору або вниз, доки вона не зафіксується.
- Усі чотири аксесуари (щілинну насадку, моторизований інструмент для тварин, насадку з круглою щіткою 2 в 1 та насадку для підлоги) можна під'єднати до трубки та безпосередньо до основного корпусу.





#### 4.4. ЗГИНАННЯ ТРУБКИ

Щоб легко дістатися важкодоступних місць під меблями, потягніть важіль вивільнення вгору, щоб розташувати трубку під меншим кутом.



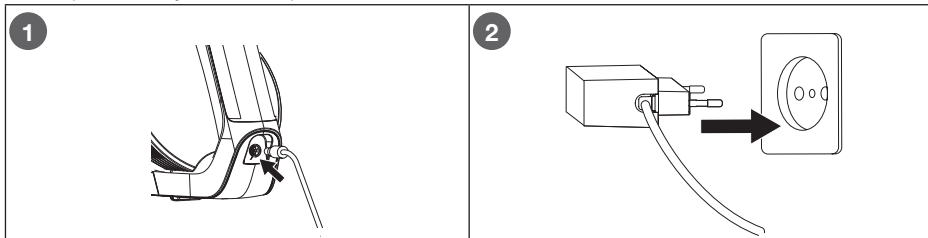
### 5. ВИКОРИСТАННЯ ПРИСТРОЮ

#### 5.1. ЗАРЯДКА

**Примітки:**

- Не використовуйте пристрій під час зарядження!
- Заряджайте прилад, коли блимає індикатор заряду акумулятора.

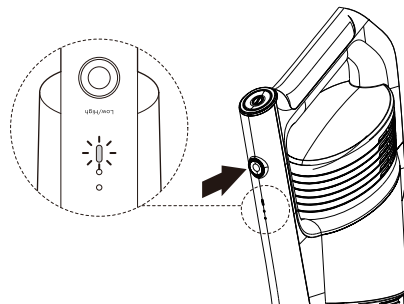
1. Повісьте прилад на настінний кронштейн. Вставте штекер зарядного пристрою в роз'єм для зарядження вгорі ручки.
2. Підключіть зарядний пристрій до настінної розетки.
3. Під час зарядження індикаторні смуги на ручці світлитимуться відповідно рівня заряду та блиматимуть, указуючи, що акумулятор заряджається. Коли акумулятор повністю зарядиться, усі індикатори ЗГАСНУТЬ.



#### 5.2. ВИКОРИСТАННЯ ПИЛОСОСА

1. Вставте потрібний аксесуар у всмоктувальний отвір трубки або безпосередньо в основний корпус.
2. Щоб увімкнути пристрій, натисніть кнопку живлення.
3. У цього пристрою є низька й висока потужність всмоктування. Щоб регулювати потужність всмоктування, натискайте кнопку «Low» або «High» потужність. На високій швидкості світлодіод горітиме білим світлом.

**Примітка:** Після ввімкнення пилососа за замовчуванням вмикається висока потужність всмоктування.



4. Коли ви закінчите пилососити, натисніть кнопку живлення ще раз, щоб вимкнути пристрій.
5. Спорожніть і очистіть пилосбірник. Повісьте прилад на настінний кронштейн.

## 6. ОБСЛУГОВУВАННЯ ТА ЧИЩЕННЯ

**Примітка:** Перед зміною аксесуарів, очищенням або обслуговуванням завжди вимикайте й від'єднуйте пристрій від джерела живлення (якщо він заряджається).

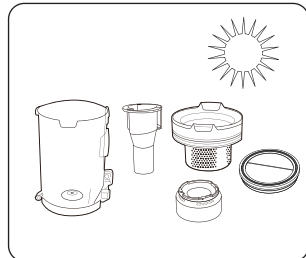
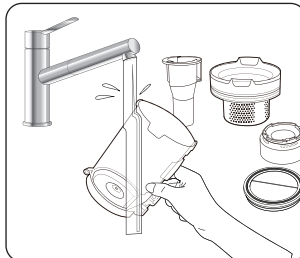
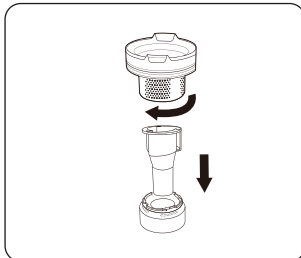
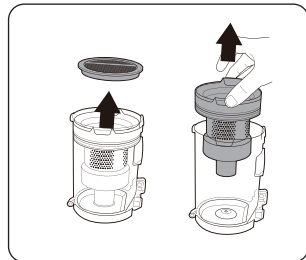
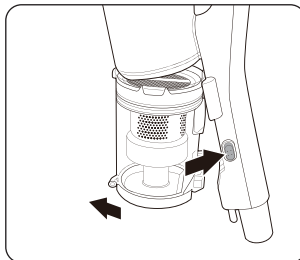
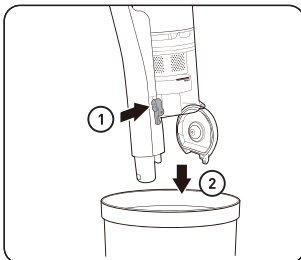
1. Не занурюйте пристрій, його кабель живлення та адаптер у воду або інші рідини.
2. Уникайте агресивних рідин і матеріалів. Не використовуйте абразивні мийні засоби, хімічні продукти, засоби для чищення скла, універсальні мийні засоби, дезінфекційні засоби або засоби на нафтовій основі! Ці продукти можуть призвести до пошкодження пристрою.

### 6.1. ОЧИЩЕННЯ КОРПУСУ Й АКСЕСУАРІВ

1. Щоб очистити корпус пилососа від забруднення, протріть його м'якою вологою ганчіркою. Стежте за тим, щоб вода не потрапила всередину пристрою. Перед використанням його необхідно повністю висушити.
2. Протріть аксесуари м'якою вологою ганчіркою з м'яким мийним засобом у разі потреби. Дайте їм повністю просохнути.

### 6.2. ОЧИЩЕННЯ КОНТЕЙНЕРА-ПИЛОЗБІРНИКА

1. Відкрийте засувку під контейнером, і кришка відкриється. Висипте вміст.
2. Обережно витягніть фільтр та його захист із контейнера-пилосбірника. Висипте вміст пилосбірника в смітник і очистіть його вологою ганчіркою, м'якою щіткою або промийте холодною водою в разі потреби. Повністю висушіть пилосбірник, перш ніж ставити його на місце.
3. Витягніть фільтр із захисту, повернувши його проти годинникової стрілки й потягнувши вгору. Очистіть фільтр сухою ганчіркою або м'якою щіткою. У разі потреби помістіть зовнішню частину фільтра та його захист під струмінь води й промивайте, доки вода не стане чистою. Мийте фільтр регулярно або в разі потреби. Залиште фільтр і його захист повністю просохнути.
4. Після повного висихання вставте у контейнер-пилосбірник спочатку захист для фільтра. Помістіть його у захист для фільтра й зафіксуйте на місці, повернувши за годинниковою стрілкою. Переконайтеся, що він встановлений належним чином. Потім вставте фільтр у його захист.
5. Знову приєднайте пилосбірник до основного корпусу.

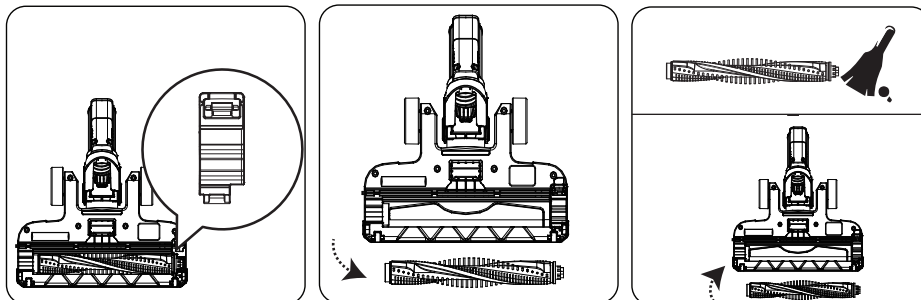


UA

### 6.3. ОБСЛУГОВУВАННЯ ЩІТКИ ДЛЯ ПІДЛОГИ

**Примітка:** Якщо під час використання пилососа ви наїхали на твердий або гострий предмет чи помітили зміну звуку, перевірте пристрій на наявність закупорки або стороннього предмета на щітці-валику.





1. Потягніть униз важіль зверху знімної пластини та вийміть пластину. Потім вийміть щітку-валик.
2. Очистіть щітку-валик і видаліть стійкий бруд. Нитки або волосся, які обмоталися навколо щітки-валика, обріжте ножицями. Протріть місце для кріплення щітки-валика м'якою вологою ганчіркою. Дайте повністю просохнути.
3. Знову вставте щітку-валик. Щоб знову встановити знімну пластину, вставте її нижню частину в отвір, а потім натисніть верхню частину, доки пластина не стане на місце з клацанням.



### 6.4. ОБСЛУГОВУВАННЯ МОТОРИЗОВАНОГО ІНСТРУМЕНТУ ДЛЯ ТВАРИН

UA

**Примітка:** Якщо під час використання пилососа ви наїхали на твердий або гострий предмет чи помітили зміну звуку, перевірте пристрій на наявність закупорки або стороннього предмета на щітці-валику.

1. Щоб зняти щітку-валик із моторизованого інструменту для тварин, посуňte пластину-фіксатор із положення  в положення . Обережно витягніть щітку-валик збоку.
2. Очистіть щітку-валик і видаліть стійкий бруд. Нитки або волосся, які обмоталися навколо щітки-валика, обріжте ножицями. Протріть місце для кріплення щітки-валика м'якою вологою ганчіркою. Дайте повністю просохнути.
3. Зафіксуйте щітку-валик у місці для її кріплення. Посуňte пластину-фіксатор із положення  в положення .







600138473  
V19P13A20QOC



**Auchan**

SAS OIA, 200, rue de la Recherche, Le Colibri  
BP 169, 59650 Villeneuve d'Ascq, France  
[www.auchan-retail.com/contact](http://www.auchan-retail.com/contact)

Made in China