

INSTRUCTIONS FOR USE

EN



2 Doors fridge

TABLE OF CONTENTS

Important safety instructions	- 26 -
Structure illustration	- 32 -
Transport and handing	- 33 -
Installation	- 33 -
Test	- 34 -
Temperature control	- 34 -
Storage of food	- 35 -
Defrosting	- 36 -
General Instructions for care and maintenance	- 36 -
Door reverse	- 37 -
Coldest zone in the refrigerator	- 39 -
Troubleshooting	- 40 -
Technical specifications	- 41 -



This product is for household use only!

Please read these instructions carefully before the first use of this product and save this manual for your future reference.

IMPORTANT SAFETY INSTRUCTIONS

When using an electrical appliance, basic precautions should always be followed, including the following:

1. Check that the voltage of the power supply in your home is the same as the voltage shown on the rating label of this product.

2. This appliance can be used by children aged from 8 years and above and persons with reduced physical, sensory or mental capabilities or lack of experience and knowledge if they have been given supervision or instruction concerning use of the appliance in a safe way and understand the hazards involved. Children shall not play with the appliance. Cleaning and user maintenance shall not be made by children without supervision.

3. **WARNING:** Keep ventilation opening, in the appliance enclosure or in the built-in structure, clear of obstruction.

4. **WARNING:** Do not use mechanical devices or other means to accelerate the defrosting process, other than those recommended by the manufacturer.

5. **WARNING:** Do not use electrical appliances inside the food storage compartments of the appliance, unless they are of the type recommended by the manufacturer.

6. **WARNING:** Do not damage the refrigerant circuit.

7. If the supply cord is damaged, it must be replaced by the manufacturer or its service agent or a similarly qualified person in order to avoid a hazard.

8. It is recommended to check regularly the supply cord for any sign of possible deterioration, and the appliance should not be used if the cable is damaged.

9. To avoid injury or death from electrical shock, do not operate the appliance with wet hands, while standing on a wet surface.

10. It is not recommended to use this refrigerator with an extension cord or power board. Please ensure that the appliance is plugged directly into the electrical outlet.

11. When positioning the appliance, ensure that there is at least a 5cm clearance at the sides and a 10cm clearance at the back as this is the main outlet for heat. This will allow for adequate ventilation.

12. Do not place hot food or drink into the refrigerator before it cools down to room temperature.

13. Close the door immediately after putting in any items so the inside temperature will not rise dramatically.

14. Keep appliance away from any heat source or direct sunlight.

15. To fix stably, the appliance must be placed on a flat and solid surface. It should not be laid on any soft material.

16. Do not place any other appliance on top of the refrigerator, and do not wet it.

17. Do not store something like ether, methanol, gasoline etc., which is easy to evaporate burn or explode.

18. Do not use outdoors or in wet conditions.

19. Never pull the cord to disconnect it from the outlet. Grasp the plug and pull it from the outlet.

20. Keep the cord away from heated surfaces.

21. This appliance has been incorporated with a grounded plug. Please ensure the wall outlet in your house is well earthed.

22. Connect your refrigerator to an independent electrical socket and use a safe ground wire.

23. When the frost in freezer is removed, or when there is no electricity or when refrigerator ceases to be used, it should be cleaned in order to prevent it from smelling.

24. Defrost the freezer at least once a month because too much frost may affect refrigeration.

25. Turn on electricity only 5 minutes later after electricity goes off. Otherwise, the compressor may be damaged.

26. The appliance is not intended to be operated by means of an external timer or a separate remote –control system.

27. Ensure the refrigerator is unplugged before cleaning or if the product is not in use.

28. To clean the appliance use only mild detergents or glass cleaning products. Never use harsh detergents or solvents.

29. Regarding the information pertaining to the installation, handing, maintenance, servicing and disposal of the appliance, thanks to refer to the below paragraph of the manual.

30. Always handle the appliance to avoid any damage.

31. Disposal of the appliance

To prevent possible harm to the environment or human health from uncontrolled waste disposal, recycle it responsibly to promote the sustainable reuse of material resources.

And the disposal should only be done through public collection points.

Old refrigerators can contain CFC that destroy the ozone; contact the waste treatment center nearest your home for more details on the correct procedures for disposal.

32. Appliances should place on a horizontal floor and keep the ventilation freely. Don't try to replace or repair any components by yourself, ask the service agency for help if necessary.

33. This appliance is intended to be used in household and similar applications such as:

- staff kitchen areas in shops, offices and other working environments;
- farm houses;
- by clients in hotels, motels and other residential type environments;
- bed and breakfast type environments.

34. Do not store explosive substances such as aerosol cans with a flammable propellant in this appliance.



35. **Warning:** Risk of fire / flammable materials

36. **WARNING:** When positioning the appliance, ensure the supply cord is not trapped or damaged.

37. **WARNING:** Do not locate multiple portable socket-outlets or portable power supplies at the rear of the appliance.

38. Children aged from 3 to 8 years are allowed to load and unload refrigerating appliances.

39. To avoid contamination of food, please respect the following instructions:

–Opening the door for long periods can cause a significant increase of the temperature in the compartments of the appliance.

–Clean regularly surfaces that can come in contact with food and accessible drainage systems.

–Clean water tanks if they have not been used for 48 h.

–Store raw meat and fish in suitable containers in the refrigerator, so that it is not in contact with or drip onto other food.

–Two–star frozen–food compartments are suitable for storing pre–frozen food, storing or making ice–cream and making ice cubes.

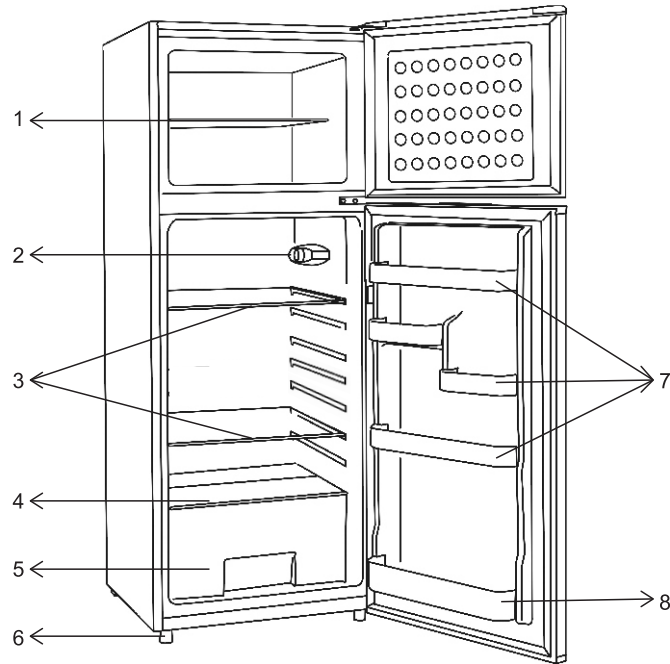
–One–, two– and three–star compartments are not suitable for the freezing of fresh food.

–If the refrigerating appliance is left empty for long periods, switch off, defrost, clean, dry, and leave the door open to prevent mould developing within the appliance.

40. This refrigerating appliance is not intended to be used as a built-in appliance.

41. This product contains a light source of energy efficiency class <G>.

STRUCTURE ILLUSTRATION



1. Freezer shelf
2. Refrigerator temperature control knob
3. Refrigerator shelf
4. Crisper cover
5. Crisper
6. Adjustable feet
7. Normal bottle rack
8. Big bottle rack

TRANSPORT AND HANDLING

When transportation, hold the base and lift the refrigerator carefully with an angle inferior at 45 degree. Never hold the door handle as support. Never place it upside down nor horizontally. Push refrigerator on its basis and place it thanks to its roller feet.

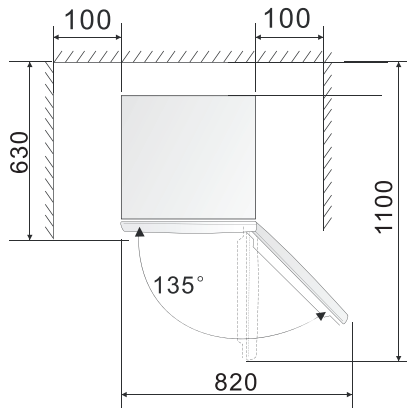
INSTALLATION

To fix stably, the appliance must be placed on a flat and solid surface. It should not be laid on any soft material.

Choose a location where there is no heat source. Keep the refrigerator away from direct sunlight or other appliance producing heat.

Choose a dry and well-ventilated place where there is no corrosive air.

In order to improve efficiency of the cooling system and save energy, it is necessary to maintain good ventilation around the appliance for the dissipation of heat. For this reason, sufficient clear space should be available around the refrigerator. Suggest: It is advisable for there to be at least 100mm of space from the back to the wall, at least 100mm from its top, at last 100mm from its side to the wall and a clear space in front to allow the doors to open 135°. As shown in following diagrams.



TEST

Clean the parts of the refrigerator with lukewarm water on a soft cloth or with a neutral detergent and with clear water, then wipe them dry.

Notes: Electric parts of the refrigerator can only be wiped by dry cloth.

Turn the thermostat knob on the "3" position and turn on electricity. The compressor and the light inside the refrigerator begin to work.

Close the door and wait 30 minutes. If the temperature in the freezer compartment decreased obviously, it shows that the refrigerator system works well. When the refrigerator operates for a period of time, the temperature controller will automatically set the temperature on conditions that the door is not too often opened.

If the above steps are successful, the trial operations are finished. The refrigerator works normally.

TEMPERATURE CONTROL

The temperature in the refrigerator compartment and in the freezer compartment is controlled by the temperature controller installed on the right side of the refrigerator compartment.

Turn the thermostat knob to regulate the temperature inside the refrigerator.

The marks on the knob are not the exact number of the degrees of temperature but the temperature grades from "0" to "5". The first grade corresponds to a forced STOP of the refrigeration and the 5th grade corresponds to the lowest temperature the refrigerator can produce. Turn the knob from "1" position to "5" position, the temperature decreases continuously.

Set the thermostat knob to "2-3" position for a normal use.

STORAGE OF FOOD

How to Use the Freezer Compartment?

- Put fresh food, such like fish or meat, into the freezer to save their taste and nutrient.
- Wrapped food has to be frozen in aluminum sheet or cellophane sheet or in airtight plastic boxes.
- Do not put fresh food directly in contact with food already frozen.
- If you buy frozen food, bring it home and place it in freezer as quickly as possible.
- Never re-freeze a defrosted product.

Food	Storage time
Bacon, casseroles, milk	1 month
Bread, ice cream, sausages, pies, prepared shellfish, oily fish	2 months
Non-oily fish, shellfish, pizza, scones and muffins	3 months
Ham, cakes, biscuits, beef and lamb chops, poultry pieces	4 months
Butter, vegetables (blanched), eggs whole and yolks, cooked crayfish, minced meat (raw), pork (raw)	6 months
Fruit (dry or in syrup), egg whites, beef (raw), whole chicken, lamb (raw), fruit cakes	12 months

How to Use the Refrigerator Compartment?

- Recommended storage time: 1–3 days
- Eggs have to be put in the eggs' pockets, bottles in the bottles' pocket, etc.
- Fruits and vegetables have to be put in the salad crisper.
- Jars have to take place in the tubs of the door of the refrigerator.
- Other perishable food, or which can loosen stanches in the refrigerator, must be separately packed.

Placement of Food

- Please not accumulate too much food in the refrigerator because it would engender a loss of cold.
- Food has to be wrapped separately in aluminum sheet or in cellophane sheet or in airtight plastic boxes.
- Hot food cannot be put in the refrigerator or in the freezer until they have reached the ambient temperature, or it will increase electrical consumption.
- Never place vegetables and fruits into freezer compartment because they will be unfit for the consumption once defrosted.

DEFROSTING

When the refrigerator working for a long time, the inner surface of the freezer will be covered with a layer of hoarfrost. It may raise the electricity consumption and decrease the effect of refrigeration. Then you should defrost your freezer once a month.

When defrosting, cut off the power, open the door and move frozen foods to a cool place. Use a plastic spatula to remove the hoarfrost. Then remove the hoarfrost so unstuck and wipe the inside of your freezer with a sweet and dry cloth.

Notes: Never use metal tools to defrost your freezer because it could damage it.

GENERAL INSTRUCTIONS FOR CARE AND MAINTENANCE

The refrigerator should be cleaned once a month. Before cleaning, the electric plug must be removed from the power supply.

Wipe the inside and the outside of the refrigerator with a wet soft cloth.

If it's too dirty, clean with a soft cloth with neutral detergent and, then remove the moisture with dry cloth.

If you leave the refrigerator idle for a long time, proceed as follows:

- Disconnect the refrigerator from the electric power supply.
- Remove all food.
- Clean and dry the inside as instructed in the direction given above for cleaning.
- Leave the doors open to prevent any unpleasant smells while the refrigerator is not used.

Cleaning

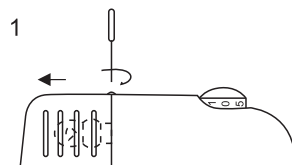
When cleaning the refrigerator the electric plug must be removed from the power supply.

Use water or a non-abrasive detergent on a soft cloth and remove the moisture with a dry soft cloth. Remember to clear the defrost drain at the back just above the glass cover.

Replacing the light bulb

If the internal light does not work anymore, disconnect then reconnect at once the device. If the light does not still work, verify if the light bulb is correctly screwed. If in spite of these tests, there is no light, it is necessary to change the light bulb. Use a 220-240V~, MAX 10 W light bulb.

- Disconnect the appliance;
- Open the light cover (1);
- Undo the defective light bulb anticlockwise.
- Screw the new light bulb clockwise.



CORRECT DISPOSAL OF THIS PRODUCT



This marking indicates that this product should not be disposed with other household wastes throughout the EU. To prevent possible harm to the environment or human health from uncontrolled waste disposal, recycle it responsibly to promote the sustainable reuse of material resources. To return your used device, please use the return and collection systems or contact the retailer where the product was purchased. They can take this product for environmental safe recycling.

Note:

- In accordance with Article L. 217 of the Consumer Code, your product has 2 year legal guarantee of conformity.
- Period of availability of repair spare parts: 5 years.
- To contact our After-Sales Service, before going to BUT store, call 09 78 97 97 97, from Monday to Saturday from 8:00 a.m. to 8:00 p.m. (Price of a local call).