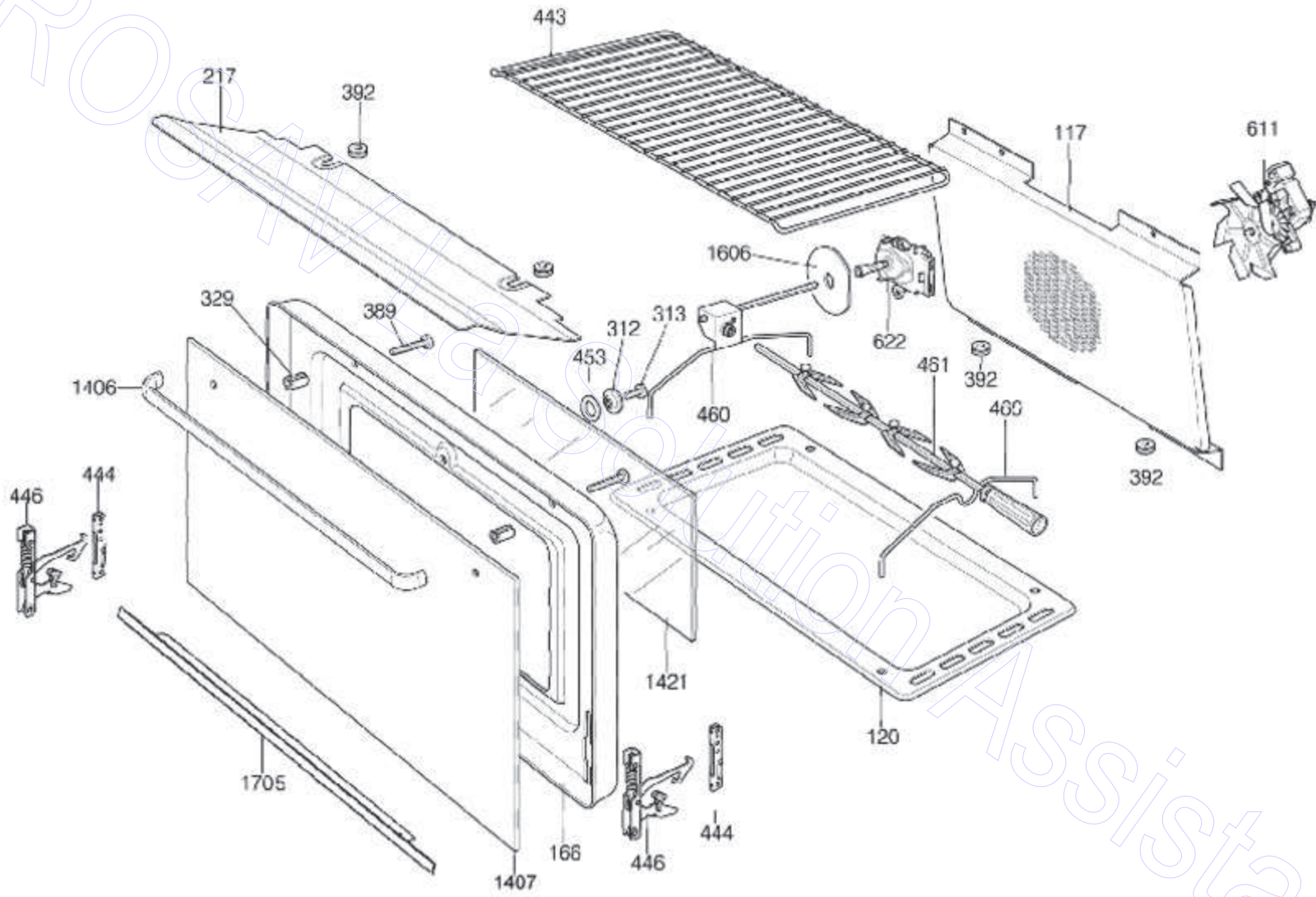


EUROSWITCH SOLUTION ASSISTANCE



Code 10/150