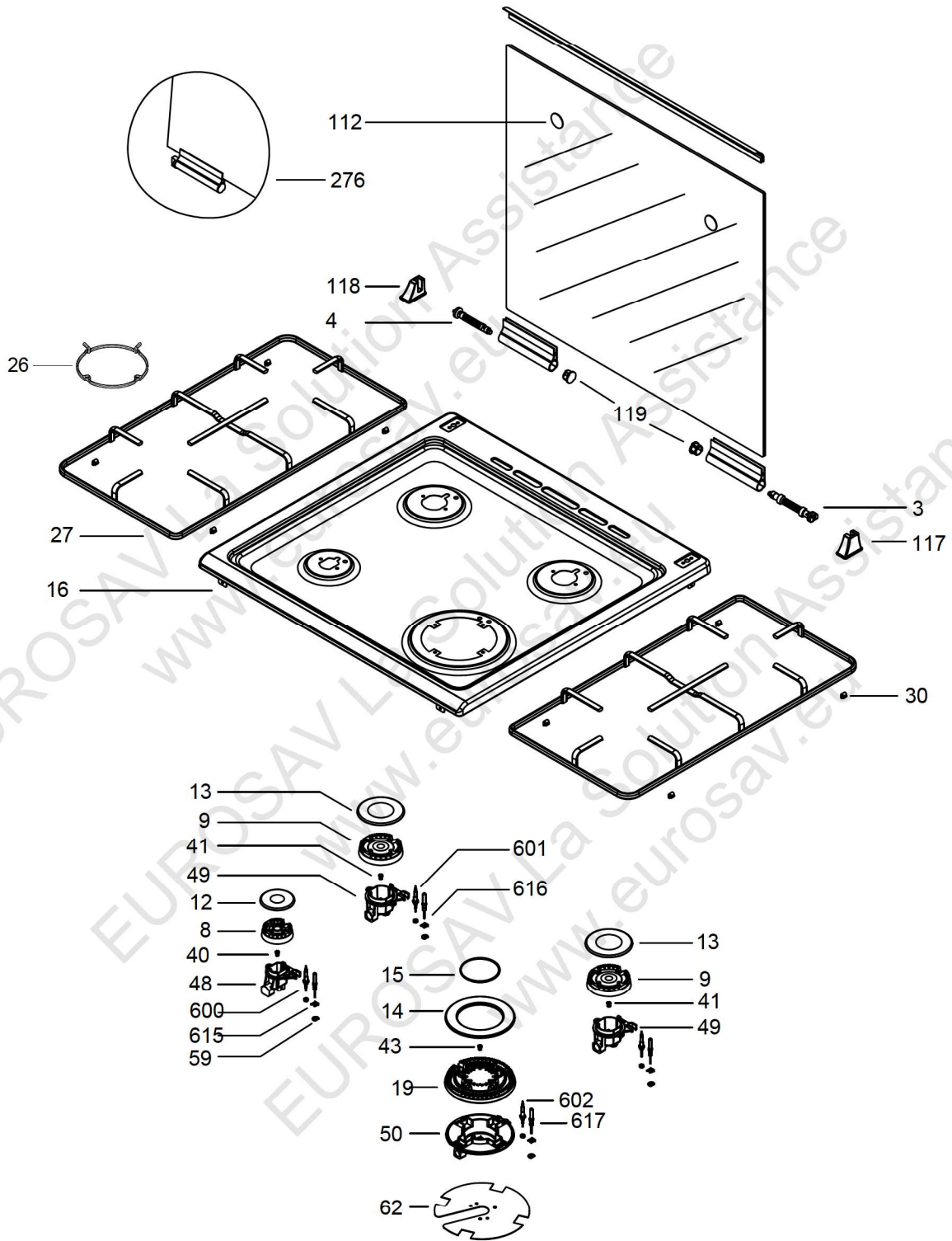
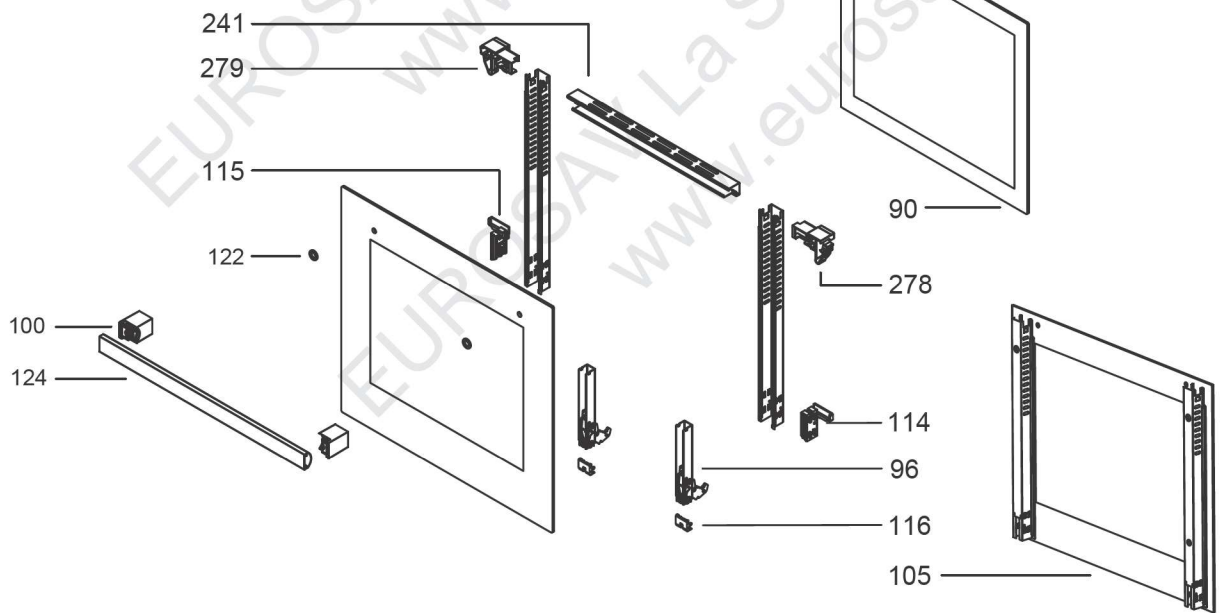
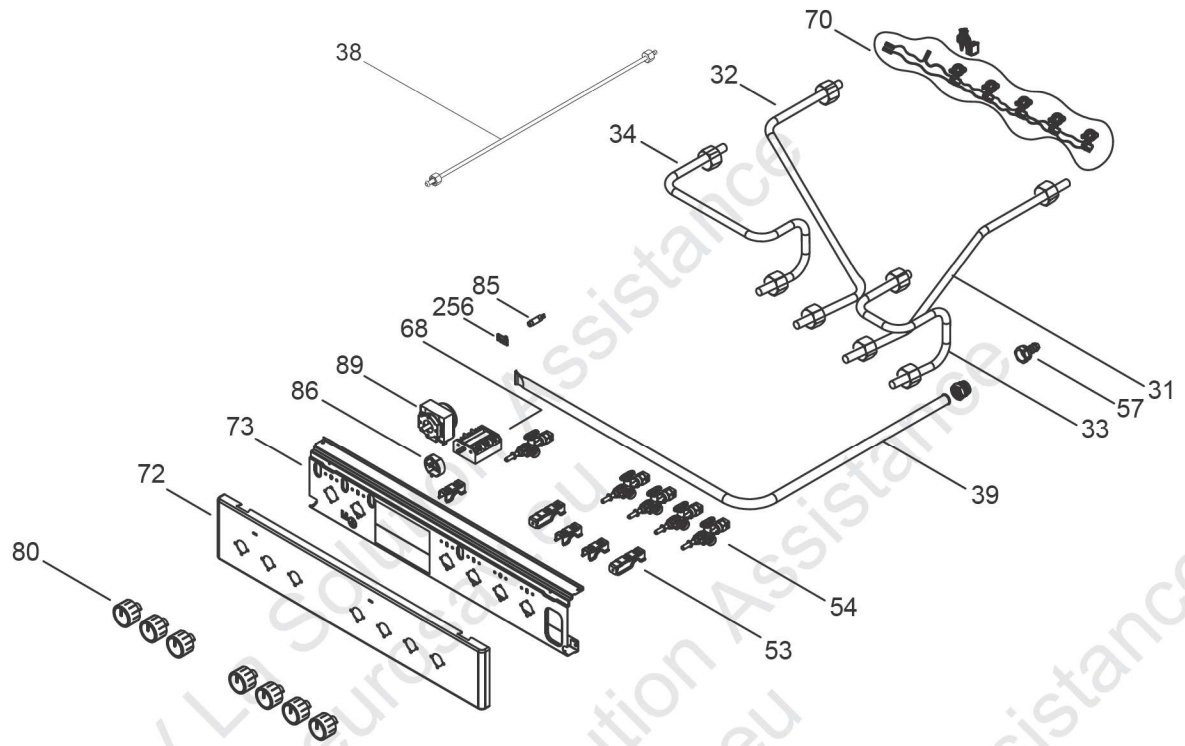


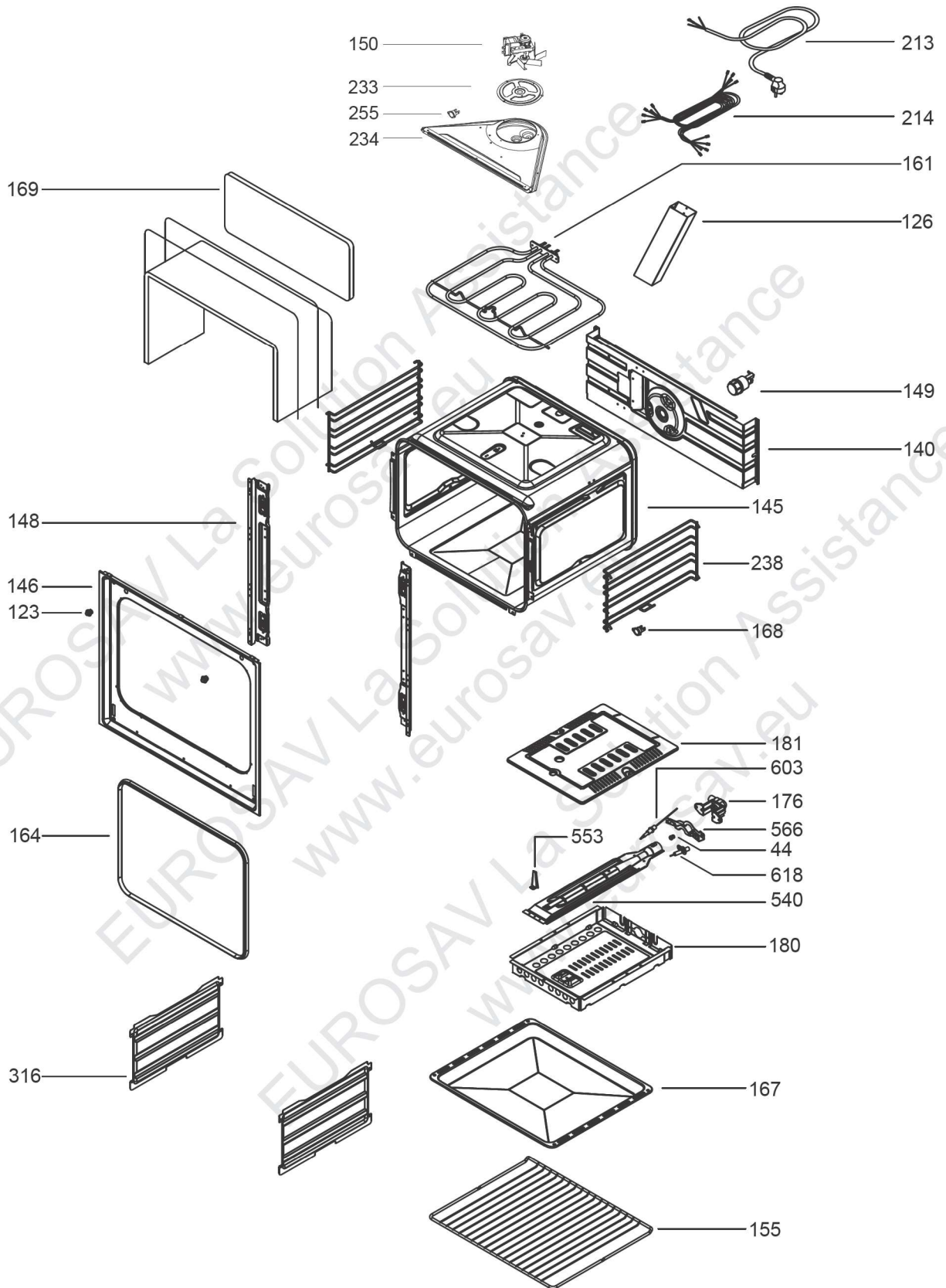
CD1GX



CD1GX



CD1GX



CD1GX

