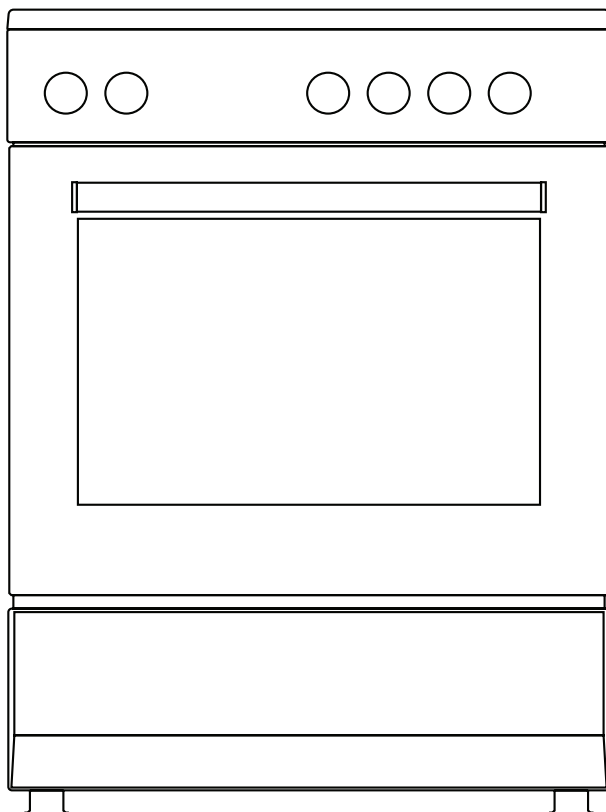


FREE STANDING OVEN

50x55 / 50x60 / 60x60

Electrical oven

Four électrique



USER MANUAL **GB**

MANUEL DE L'UTILISATEUR **FR**

Dear User,

Our objective is to make this product provide you with the best output which is manufactured in our modern facilities in a careful working environment, in compliance with total quality concept.

Therefore, we suggest you to read the user manual carefully before using the product and, keep it permanently at your disposal.

Note: This user manual is prepared for more than one model. Some of the features specified in the Manual may not be available in your appliance.

All our appliances are only for domestic use, not for commercial use.

Products marked with (*) are optional.

“Conforms with the WEEE Regulations.”

Contents

Important warnings.....	4
Methods for protecting ceramic glass cooking surface.....	13
Electrical connection.....	14
Introduction of the appliance.....	15
Accessories.....	16
Technical features of your oven.....	17
Installation of your oven.....	18
Chain lashing illustration.....	20
Control panel.....	20
Using oven section.....	21
Using the grill.....	22
Using the chicken roasting.....	22
Using cooker section.....	23
Program types.....	25
Cooking time table.....	26
Maintenance and cleaning.....	27
Installation of the oven door.....	28
Cleaning and maintenance of the Oven's front door glass.....	29
Changing the oven lamp.....	29
Catalytic walls.....	30
Rack positions.....	30
Using the grill deflector sheet.....	31
Troubleshooting.....	32
Handling rules.....	34
Recommendations for energy saving.....	34
Environmentally-friendly disposal.....	35
Package information.....	35

IMPORTANT WARNINGS

1. Installation and repair should always be performed by **“AUTHORIZED SERVICE”**. Manufacturer shall not be held responsible for operations performed by unauthorized persons.
2. Please read this operating instructions carefully. Only by this way you can use the appliance safely and in a correct manner.
3. The oven should be used according to operating instructions.
4. Keep children below the age of 8 and pets away when operating.
5. **WARNING: The accessible parts may be hot while using the grill. Keep away from children.**
6. **WARNING: Fire hazard; do not store the materials on the cooking surface.**
7. **WARNING: The appliance and its accessible parts are hot during operation.**
8. Setting conditions of this device are specified on the label. (Or on the data plate)
9. The accessible parts may be hot when the grill is used. Small children should be kept away.
10. **WARNING: This appliance is intended for cooking. It should not be used for other purposes like heating a room.**
11. To clean the appliance, do not use steam cleaners.

12. Ensure that the oven door is completely closed after putting food inside the oven.

13. NEVER try to put out the fire with water. Only shut down the device circuit and then cover the flame with a cover or a fire blanket.

14. Children under 8 years of age should be kept away, if they cannot be monitored continuously.

15. Touching the heating elements should be avoided.

16. CAUTION: Cooking process shall be supervised. Cooking process shall always be supervised.

17. This device can be used by children over 8 years of age, people with physical, hearing or mental challenges or people with lack of experience or knowledge; as long as control is ensured or information is provided regarding the dangers.

18. This device has been designed for household use only.

19. Children must not play with the appliance. Cleaning or user maintenance of the appliance shall not be performed by children unless they are older than 8 years and supervised by adults.

20. Keep the appliance and its power cord away from children less than 8 years old.

21. Put curtains, tulle, paper or any flammable (ignitable) material away from the appliance before starting to use the appliance. Do not put ignitable or flammable materials on or in the appliance.

- 22.** Keep the ventilation channels open.
- 23.** The appliance is not suitable for use with an external timer or a separate remote control system.
- 24.** Do not heat closed cans and glass jars. The pressure may lead jars to explode.
- 25.** Oven handle is not a towel drier. Do not hang towels, etc. on the oven handle.
- 26.** Do not place the oven trays, plates or aluminium foils directly on the oven base. The accumulated heat may damage the base of the oven.
- 27.** While placing food to or removing food from the oven, etc., always use heat resistant oven gloves.
- 28.** Do not use the product in states like medicated and/or under influence of alcohol which may affect your ability of judgement.
- 29.** Be careful when using alcohol in your foods. Alcohol will evaporate at high temperatures and may catch fire to cause a fire if it comes in contact with hot surfaces.
- 30.** After each use, check if the unit is turned off.
- 31.** If the appliance is faulty or has a visible damage, do not operate the appliance.
- 32.** Do not use the appliance with its front door glass removed or broken.
- 33.** Place the baking paper together with the food into a pre-heated oven by putting it inside a cooker or on an oven accessory (tray, wire grill etc.).

34. Do not put objects that children may reach on the appliance.

35. It is important to place the wire grill and tray properly on the wire racks and/or correctly place the tray on the rack. Place the grill or tray between two rails and make sure it is balanced before putting food on it.

36. Against the risk of touching the oven heater elements, remove excess parts of the baking paper that hang over from the accessory or container.

37. Never use it at higher oven temperatures than the maximum usage temperature indicated on your baking paper. Do not place the baking paper on the base of the oven.


38. When the door is open, do not place any heavy object on the door or allow children to sit on it. You may cause the oven to overturn or the door hinges to be damaged.

39. The packaging materials are dangerous for children. Keep packaging materials away from the reach of children.

40. Do not use abrasive cleaners or sharp metal scrapers to clean the glass as the scratches that may occur on the surface of the door glass may cause the glass to break.

41. Do not hit glass surfaces of vitro-ceramic cookers with a hard metal, resistance can get damaged. It may cause an electric shock.

- 42.** User should not handle the oven by himself.
- 43.** Food can spill when foot of oven is dismantled or gets broken, be careful. It may cause personal injuries.
- 44.** During usage, the internal and external surfaces of the oven get hot. As you open the oven door, step back to avoid the hot vapour coming out from the interior. There is risk of burning.
- 45.** Upper cover of the oven can be closed for a reason, than cookware can trip over. Step back to avoid the hot food coming on you. There is risk of burning.
- 46.** Do not place heavy objects when oven door is open, risk of toppling.
- 47.** User should not dislocate the resistance during cleaning. It may cause an electric shock.
- 48.** Do not place metal utensils such as knife, fork, spoon on the surface of the appliance, since they will get hot.
- 49.** Do not remove ignition switches from the appliance. Otherwise, live electric cables can be accessed. It may cause an electric shock.
- 50.** Oven supply can be disconnected during any construction work at home. After completing the work, re-connecting the oven shall be done by authorized service.
- 51.** Do not place metal utensils such as knife, fork, spoon on the surface of the appliance, since they will get hot.



52To prevent overheating, the appliance should not be installed behind of a decorative cover.

53. Turn off the appliance before removing the safeguards. After cleaning, install the safeguards according to instructions.

54. Cable fixing point shall be protected.

55. Please don't cook the food directly on the tray / grid. Please put the food into or on appropriate tools before putting them in the oven.

56. CAUTION: If the glass of the stove is broken, turn off any heating element immediately and disconnect the appliance from power source, do not touch the surface of the appliance and do not use the appliance.

Electrical Safety

1. Have an authorized electrician set grounding equipment. Our company shall not be responsible for the damages that shall be incurred due to using the product without grounding according to local regulations.

2. The circuit breaker switches of the oven shall be placed so that end user can reach them when the oven is installed.

3. The power supply cord shall not contact the hot parts of the appliance.

4. If the power supply cord is damaged, this cord shall be replaced by the manufacturer or its service agent or an equally qualified personnel to prevent a hazardous situation.


5. Never wash the product by spraying or pouring water on it! There is a risk of electrocution.

6. WARNING: To avoid electric shock, ensure that the device circuit is open before changing the lamp.

7. WARNING: Cut off all supply circuit connections before accessing the terminals.

8. WARNING: If the surface is cracked, turn off the appliance to avoid risk of electric shock.

9. Do not use cut or damaged cords or extension cords other than the original cord.



10. The rear surface of the oven also heats up when the oven is operated. Electrical connections shall not touch the rear surface, otherwise the connections may be damaged.

11. Do not tighten the connecting cables to the oven door and do not run them over hot surfaces. If the cord melts, this may cause the oven to short circuit and even a fire.

12. If the power supply cable is damaged, it must be replaced by its manufacturer or authorized technical service or any other personnel qualified at the same level, in order to avoid any dangerous situation.

13. Do not use steam cleaners for cleaning the appliance, otherwise electric shock may occur.

14. An omnipolar switch capable to disconnect power supply is required for installation. Disconnection from power supply shall be provided with a switch or an integrated fuse installed on fixed power supply according to building code.

15. Appliance is equipped with a **type “Y”** cord cable.

16. Fixed connections shall be connected to a power supply enabling omnipolar disconnection. For appliances with over voltage category below III, disconnection device shall be connected to fixed power supply according to wiring code.

Intended Use

- 1.** This product has been designed for domestic use. Commercial use is not permitted.
- 2.** This appliance may only be used for cooking purposes. It shall not be used for other purposes like heating a room.
- 3.** This appliance shall not be used to heat plates under the grill, drying clothes or towels by hanging them on the handle or for heating purposes.
- 4.** The manufacturer assumes no responsibility for any damage due to misuse or mishandling.
- 5.** Oven part of the unit may be used for thawing, roasting, frying and grilling food.
- 6.** Operational life of the product you have purchased is 10 years. This is the period for which the spare parts required for the operation of this product as defined is provided by the manufacturer.

Methods for Protecting Ceramic Glass Cooking Surface

Ceramic glass surface is unbreakable and scratch resistant to a certain degree. However, to avoid any damage, please do the following:

1. Never pour cold water on hot cookers.
2. Do not stand on a ceramic glass plate.
3. Sudden pressure, for example, the effect of a falling salt shaker may be critical. So, do not place such objects on a place above the hobs.
4. After each use, make sure that the base of the cooking pot and surfaces of cooking zones are clean and dry.
5. Do not peel vegetables on the hob surfaces. Sand grains falling from the vegetables may scratch the ceramic glass plate.
6. Do not lay flammable materials such as cardboard or plastic on the oven. Objects such as tin, zinc, or aluminium (as well as aluminium foils or empty coffee pots) may melt on hot cooking surfaces and thus cause damage.
7. Take care not to let sugary foods or fruit juices contact the hot cooking zones. The ceramic glass surface may be stained by these.

Electrical Connection

1. Your oven requires 40 Amp fuse for mono phase or 3x16 Amp fuse for 3 phase supply according to electrical power for cooker section has 4 ceramic heater and oven section has electric models. Installation by a qualified electrician is mandatory.

2. Your oven is adjusted in compliance with 220-240V / 380-415V AC,50/60Hz. electric supply. If the mains are different from this specified value, contact your authorized service.

3. Electrical connection of the oven should only be made to connections / sockets with an earth system installed in compliance with local regulations. If there are no connections/sockets with an earth system in place where the oven will be installed, immediately contact a qualified electrician to install. The manufacturer is not responsible for damages that will arise because of the appliance not be connected to an earth system.

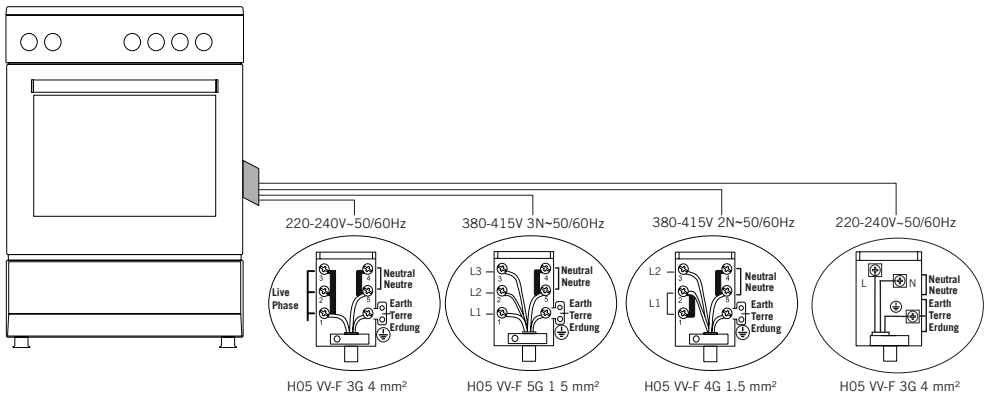
4. If your supply cable gets damaged, it should be replaced by an authorized service agent or qualified electrician in order to avoid danger or electric shock.

5. Electrical cable should not touch the hot parts of the appliance.

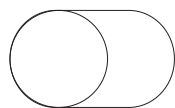
6. Operate your oven in dry atmosphere.

7. When placing your oven to its location, ensure that it is at the counter level. Bring it to the counter level by adjusting the feet if necessary.

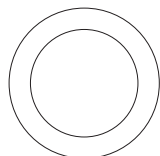
Electrical Connection Scheme



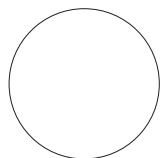
INTRODUCTION OF THE APPLIANCE



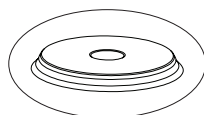
11



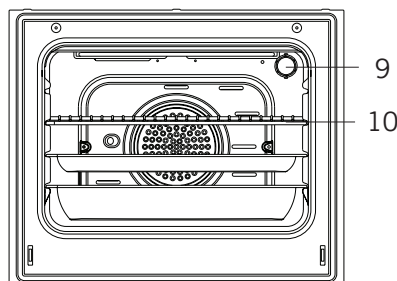
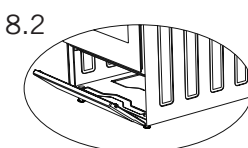
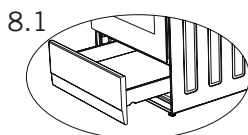
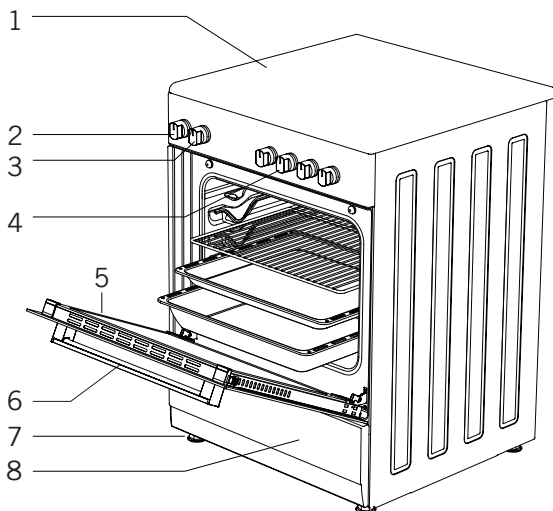
12



13



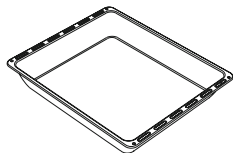
14



- 1. Glass top plate
- 2. Thermostat knob
- 3. Command knob for oven
- 4. Regulators for vitroceramic hobs
- 5. Oven door
- 6. Handle
- 7. Plastic leg
- 8. Lower cabinet door

- 8.1. Drawer
- 8.2. Flap door
- 9. Lamp
- 10. Grill
- 11. Ceramic heater (140 mm / 250 mm)
- 12. Ceramic heater (120 mm / 180 mm)
- 13. Ceramic heater (140 mm or 180 mm)
- 14. Hot plate (145 mm or 185 mm)

Accessories



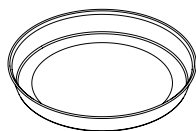
Deep tray *

Used for pastry, big roasts, watery foods. It can also be used as oil collecting container if you roast directly on grill with cake, frozen foods and meat dishes.



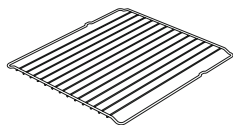
Tray / Glass tray *

Used for pastry (cookie, biscuit etc.), frozen foods.



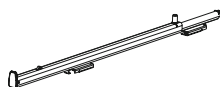
Circular tray *

Used for pastry frozen foods.



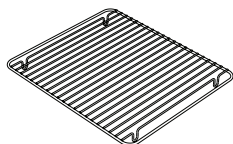
Wire grill

Used for roasting or placing foods to be baked, roasted and frozen into desired rack.



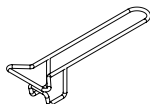
Telescopic rail *

Trays and wire racks can be removed and installed easily thanks to telescopic rails.



In tray wire grill *

Foods to stick while cooking such as steak are placed on in tray grill. Thus contact of food with tray and sticking are prevented.



Tray handle *

It is used to hold hot trays.

Technical features of your oven

Specifications	50x55	50x60	60x60
Outer width	500 mm	500 mm	600 mm
Outer depth	565 mm	630 mm	630 mm
Outer height	855 mm	855 mm	855 mm
Lamp power	15-25 W		
Bottom heating element	1000 W	1000 W	1200 W
Top heating element	800 W	800 W	1000 W
Turbo heating element	-----	1800 W	2200 W
Grill heating element	1500 W	1500 W	2000 W
Supply voltage	220-240V AC/380-415V AC 50/60 Hz		
Hot plate 145 mm *	1000 W		
Hot plate 180 mm *	1500 W		
Hot plate rapid 145 mm *	1500 W		
Hot plate rapid 180 mm *	2000 W		
Ceramic heater 140 mm *	1200 W		
Ceramic heater 180 mm *	1700 W / 1800 W		
Ceramic heater 140 mm / 250 mm *	1800 W		
Ceramic heater 120 mm / 180 mm *	1700 W		

WARNING: For the modification to be done by authorized service, this table should be considered. Manufacturer may not be held responsible for any problems rising because of any faulty modification.

WARNING: In order to increase the product quality, the technical specifications may be changed without prior notice.

WARNING: The values provided with the appliance or its accompanying documents are laboratory readings in accordance with the respective standards. These values may differ depending on the use and ambient conditions.

INSTALLATION OF YOUR OVEN

Check if the electrical installation is proper to bring the appliance in operating condition. If electricity installation is not suitable, call an electrician and plumber to arrange the utilities as necessary. Manufacturer shall not be held responsible for damages caused by operations performed by unauthorized persons.

WARNING: It is customer's responsibility to prepare the location the product shall be placed on and also to have the electrical installation prepared.

WARNING: The rules in local standards about electrical installations shall be followed during product installation.

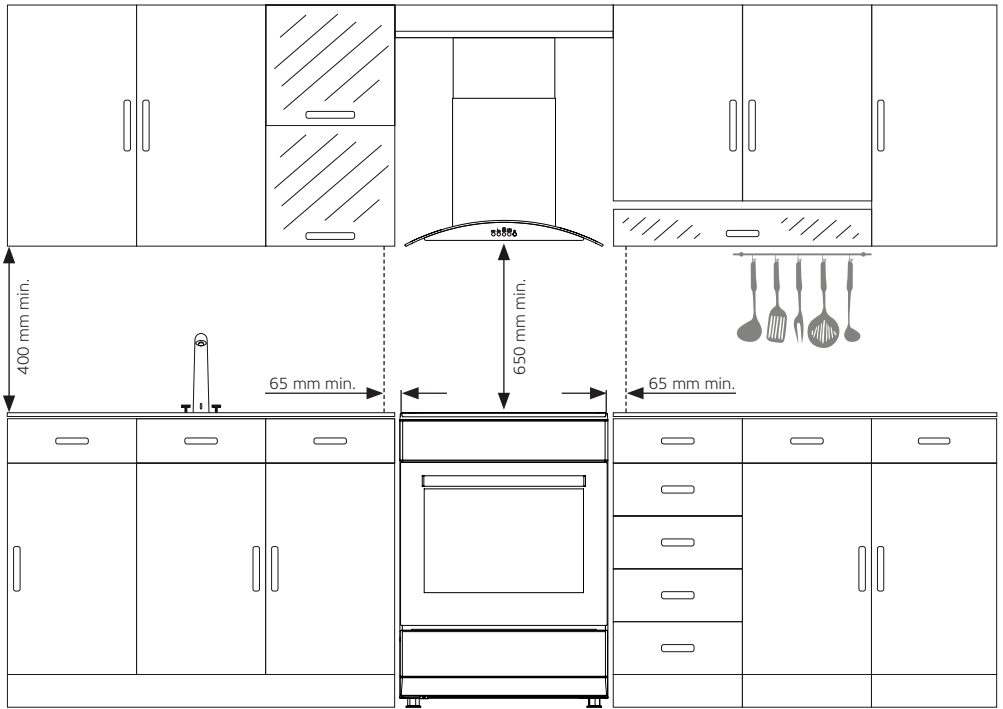
WARNING: Check for any damage on the appliance before installing it. Do not have the product installed if it is damaged. Damaged products cause a risk for your safety.

Right Place for Installation and Important Warnings

Appliance feet should not stay on soft surfaces such as carpets. The kitchen floor shall be durable to carry the unit weight and any other kitchenware that may be used on the oven.

Appliance should be used with a clearance of minimum 400 mm over the upper hob surfaces, and 65 mm from side surfaces inside a kitchen furniture.

The appliance is suitable for use on both side walls, without any support, or without being installed in a cabinet. If a hood or aspirator will be installed above the cooker, follow the instructions of the manufacturer for height of mounting. (min. 650 mm)

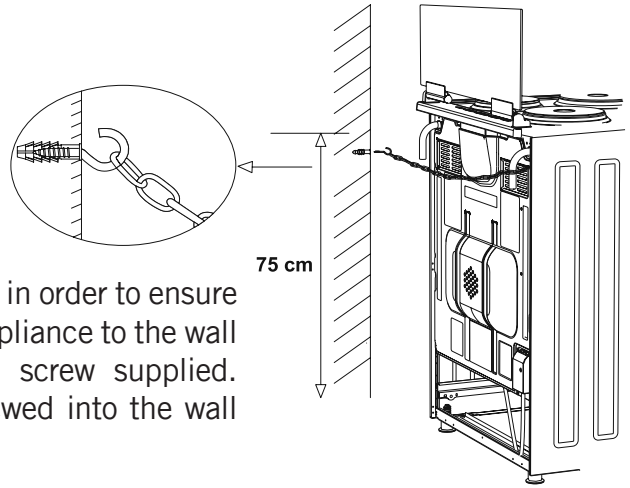


WARNING: The kitchen furniture near the appliance must be heat resistant.

WARNING: Do not install the appliance beside refrigerators or coolers. Heat radiated by the appliance increases the energy consumption of cooling devices.

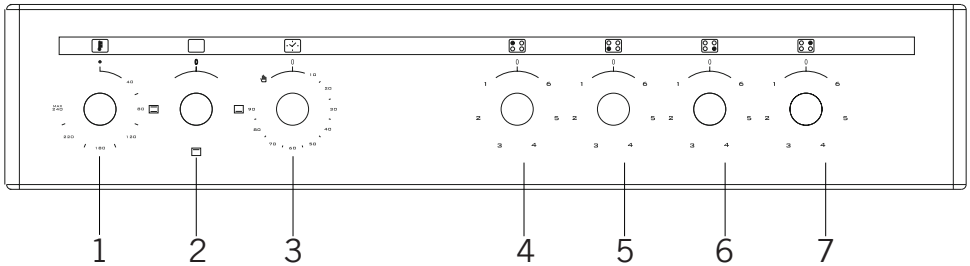
WARNING: Do not use the door and/or handle to carry or move the appliance.

Chain lashing illustration



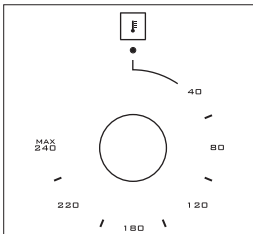
Before using the appliance, in order to ensure safe use, be sure to fix the appliance to the wall using the chain and hooked screw supplied. Ensure that the hook is screwed into the wall securely.

CONTROL PANEL

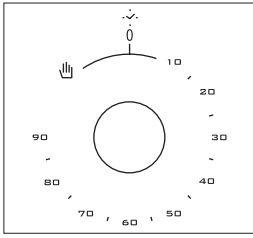


- | | |
|--------------------------------|----------------------------------|
| 1. Thermostat | 5. Front left electrical heater |
| 2. Function selection button | 6. Front right electrical heater |
| 3. Mechanical timer * | 7. Rear right electrical heater |
| 4. Rear left electrical heater | |

WARNING: The control panel above is only for illustration purposes. Consider the control panel on your device.



Thermostat: Used for determining the cooking temperature of the dish to be cooked in the oven. After placing the food inside the oven, turn the switch to adjust desired temperature setting between 40-240 °C. For cooking temperatures of different food, see cooking table.



Mechanical timer*: Used for determining the period for cooking in the oven. When adjusted time is expired, power to heaters is turned off and an audible warnig signal is emitted. Mechanical timer can be adjusted to desired period between 0-90 minutes. For cooking periods, see cooking tables.

USING OVEN SECTION

Using Oven Heating Elements

1. When your oven is operated first time, an odor will be spread out which will be sourced from using the heating elements. In order to get rid of this, operate it at 240 °C for 45-60 minutes while it is empty.
2. Oven control knob should be positioned to desired value; otherwise oven does not operate.
3. Kinds of meals, cooking times and thermostat positions are given in cooking table. The values given in the cooking table are characteristic values and were obtained as a result of the tests performed in our laboratory. You can find different flavors suitable for your taste depending on your cooking and using habits.
4. You can make chicken revolving in your oven by means of the accessories.
5. Cooking times: The results may change according to the area voltage and material having different quality, amount and temperatures.
6. During the time when cooking is being performed in the oven, the lid of the oven should not be opened frequently. Otherwise circulation of the heat may be imbalanced and the results may change.

Using The Grill

1. When you place the grill on the top rack, the food on the grill shall not touch the grill.
2. You can preheat for 5 minutes while grilling. If necessary, you may turn the food upside down.
3. Food shall be in the center of the grill to provide maximum air flow through the oven.

To turn on the grill;

1. Place the function button over the grill symbol.
2. Then, set it to the desired grill temperature.

To turn the grill off;

Set the function button to the off position.

WARNING: Keep the oven door closed while grilling.

Using The Chicken Roasting *

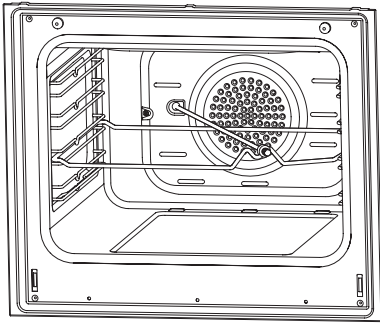


Figure 1

Place the spit on the frame. Slide turn spit frame into the oven at the desired level. Locate a dripping pan through the bottom in order to collect the fat. Add some water in dripping pan for easy cleaning. Do not forget to remove plastic part from spit. After grilling, screw the plastic handle to the skewer and take out the food from oven.

Using Cooker Section

Using And Description Of Hob Section For Vitroc ceramic

	Level 1	Level 2	Level 3	Level 4	Level 5	Level 6	Level 7	Level 8	Level 9	Max.
140 mm Commutator	130 W	206 W	350 W	500 W	850 W	1200 W	---	---	---	---
180 mm Commutator	180 W	470 W	790 W	850 W	1230 W	1700 W	---	---	---	---
180 mm Regulator	1800 W	1800 W	1800 W	1800 W	1800 W	1800 W	1800 W	1800 W	1800 W	---
140/250 mm	1000 W	1000 W	1000 W	1000 W	1000 W	1000 W	1000 W	1000 W	1000 W	1800 W
120/180 mm Dual Hilight	700 W	700 W	700 W	700 W	700 W	700 W	700 W	700 W	700 W	1700 W

1. You operate the hob with the ring switches on the control panel of oven. This switch regulates the energy in order to reach desired temperature set by you.

2. In order to have a good cooking result from the hob, the pans bottom should be as thick and flat as possible.

3. Bottom of pans and cooking zones should be the same size. If possible, always place lids on the pans. Always place cookware on the cooking zone before it is switched on. Switch cooking zones off before the end of the cooking time, to take advantage of residual heat.

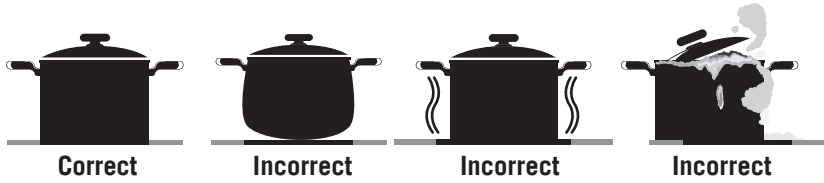
4. Turn the knob to clockwise for starting to operate. Temperature set up by the knob position on the line gradually increasing up to max. (Single zone)

5. For dual cooking zone the first ring operating like single zone; second ring starts to operate after extra turning by some more force to clock wise on the "max" region end of the ring sign. When you turn to counter clock wise, the first ring will operate as maximum range and the second ring's power will reduce up to you desire temperature.

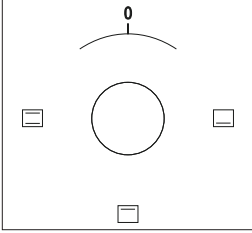
Using Hot Plates

	Level 1	Level 2	Level 3	Level 4	Level 5	Level 6
80 mm	200 W	250 W	450 W	---	---	---
145 mm	250 W	750 W	1000 W	---	---	---
180 mm	500 W	750 W	1500 W	---	---	---
145 mm rapid	500 W	1000 W	1500 W	---	---	---
180 mm rapid	850 W	1150 W	2000 W	---	---	---
145 mm	95 W	155 W	250 W	400 W	750 W	1000 W
180 mm	115 W	175 W	250 W	600 W	850 W	1500 W
145 mm rapid	135 W	165 W	250 W	500 W	750 W	1500 W
180 mm rapid	175 W	220 W	300 W	850 W	1150 W	2000 W
220 mm	220 W	350 W	560 W	910 W	1460 W	2000 W

1. Electric hotplates have standard of 6 temperature levels. (as describe herein above)
2. When using first time, operate your electric hotplate in position 6 for 5 minutes. This will make the agent on your hotplate which is sensitive to heat get hardened by burning.
3. Use flat bottomed saucepans which fully contact with the heat as much as you can, so that you can use the energy more productively.



PROGRAM TYPES



Function Button: Used for determining the heaters to be used for cooking the dish to be cooked in the oven. Heater program types in this button and their functions are described below. All heater types and program types consisting of these heaters may not be available at all models.

	Turnspit		Fan
	Top + Bottom heating element		Turbo heating + Fan
	Lamp		Bottom + Top heating elements + Fan
	Bottom heating element + Fan		Grill heating element + Fan
	Grill heating element		Grill burner / Grill heating element
	Grill heating element + Lamp		Top heating element
	Electrical timer		Oven burner / Bottom heating element

WARNING: All heater types and program types consisting of these heaters may not be available at all models.

COOKING TIME TABLE

WARNING: Oven must be preheated for 10 minutes before placing the food in it.

Foods	Cooking Function	Temperature (°C)	Rack Position	Cooking Duration (min.)
Cake (Tray / Mold)	Static / Static+fan	170-180	2	35-45
Small cakes	Static / Turbo+fan	170-180	2	25-30
Patty	Static / Static+fan	180-200	2	35-45
Pastry	Static	180-190	2	25-30
Cookie	Static	170-180	3	20-25
Apple pie	Static / Turbo+fan	180-190	2	50-70
Sponge cake	Static	200/150 *	2	20-25
Pizza	Static+fan	180-200	3	20-30
Lasagna	Static	180-200	2	25-40
Meringue	Static	100	2	60
Chicken	Static+fan / Turbo+fan	180-190	2	45-50
Grilled chicken **	Grill	200-220	4	25-30
Grilled fish **	Grill+fan	200-220	4	25-30
Sirloin steak **	Grill+fan	Max.	4	15-20
Grilled meat balls **	Grill	Max.	4	20-25

* Without pre-heating. Half of the cooking should be 200 °C and then second half should be 150 °C.

** During the half of cooking, meal should be turned around.

MAINTENANCE AND CLEANING

1. While oven is operating or shortly after it starts operating, it is extremely hot. You must avoid touching from heating elements.
2. Never clean the interior part, panel, lid, trays and all other parts of the oven by the tools like hard brush, cleaning mesh or knife. Do not use abrasive, scratching agents and detergents.
3. After cleaning the interior parts of the oven with a soapy cloth, rinse it and then dry thoroughly with a soft cloth.
4. Clean the glass surfaces with special glass cleaning agents.
5. Do not clean your oven with steam cleaners.
6. Before opening the upper lid of the oven, clean spilled liquid off the lid. Also, before closing the lid, ensure that the cooker table is cooled enough.
7. Never use inflammable agents like acid, thinner and gasoline when cleaning your oven.
8. Do not wash any part of your oven in dishwasher.
9. In order to clean the front glass lid of the oven; remove the fixing screws fixing the handle by means of a screwdriver and remove the oven door. Than clean and rinse it thoroughly. After drying, place the oven glass properly and re-install the handle.

Installation Of The Oven Door

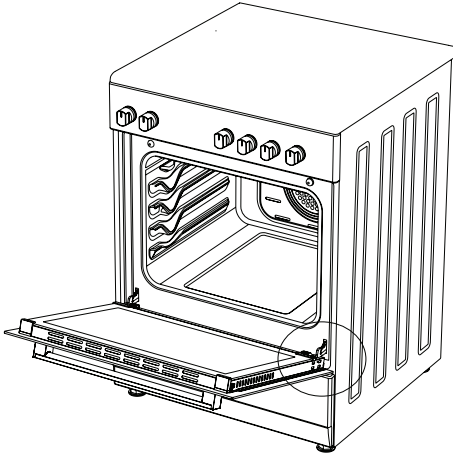


Figure 2

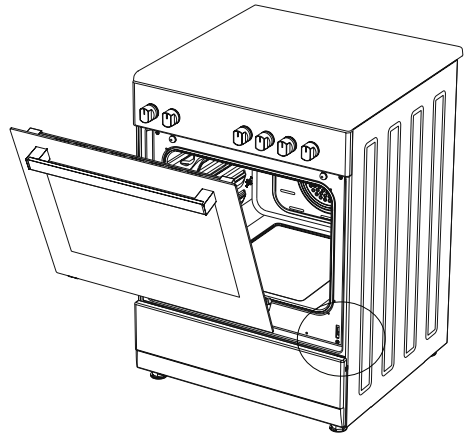


Figure 3

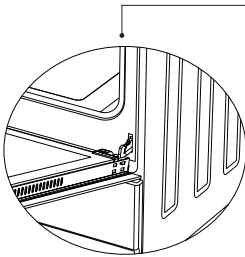


Figure 2.1

Completely open the oven door by pulling it to yourself. Afterwards, perform the unlocking process by pulling the hinge lock upwards with the help of a screw driver as shown in **figure 2.1**.

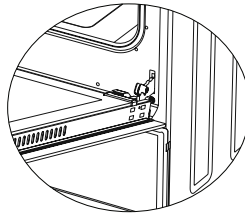


Figure 2.2

Bring the hinge lock to the widest angle as shown in **figure 2.2**. Bring both hinges connecting the oven door to the oven to the same position.

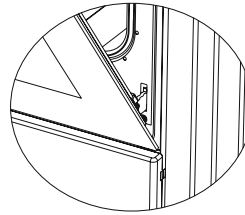


Figure 3.1

Afterwards, close the oven door as to lean on the hinge lock as shown in **figure 3.1**.

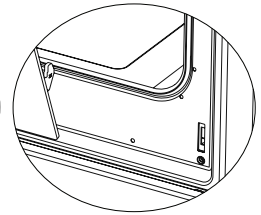


Figure 3.2

To remove the oven door, pull it upwards by holding it with both hands when close to the closed position as shown in **figure 3.2**.

In order to re-place the oven door, perform the abovementioned steps in reverse.

Cleaning And Maintenance Of The Oven's Front Door Glass

Remove the profile by pressing the plastic latches on both left and right sides as shown in figure 4 and pulling the profile towards yourself as shown in figure 5. Then remove the inner-glass as shown in figure 6. If required, middle glass can be removed in the same way. After cleaning and maintenance are done, remount the glasses and the profile in reverse order. Make sure the profile is properly seated in its place.

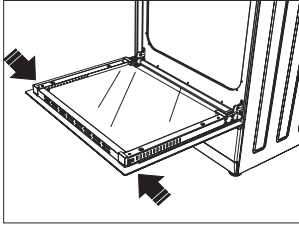


Figure 4

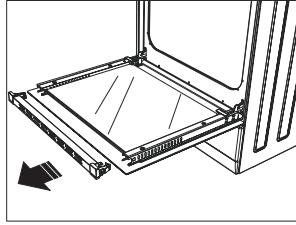


Figure 5

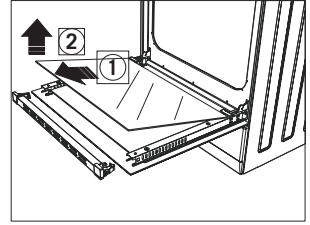


Figure 6

Catalytic Walls *

Catalytic walls are located on the left and the right side of cavity under the guides. Catalytic walls banish the bad smell and obtain the best performance from the cooker. Catalytic walls also absorb oil residue and clean your oven while it's operating.

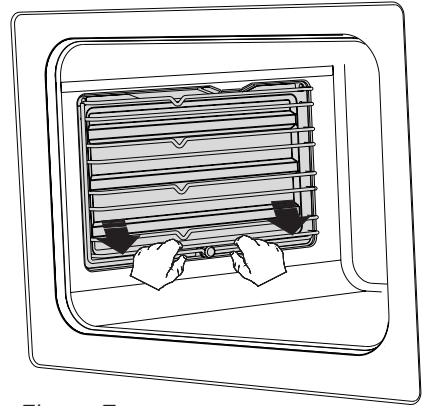
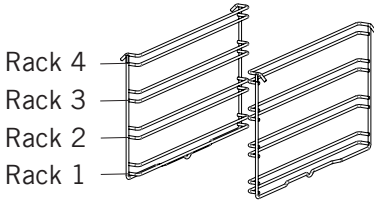


Figure 7

Removing the catalytic walls

In order to remove the catalytic walls; the guides must be pulled out. As soon as the guides are pulled out, the catalytic walls will be released automatically. The catalytic walls must be changed after 2-3 years.

Rack Positions



It is important to place the wire grill into the oven properly. Do not allow wire rack to touch rear wall of the oven. Rack positions are shown in the next figure. You may place a deep tray or a standard tray in the lower and upper wire racks.

Installing and removing wire racks

To remove wire racks, press the clips shown with arrows in the figure, first remove the lower, and then the upper side from installation location. To install wire racks; reverse the procedure for removing wire rack.

Changing The Oven Lamp

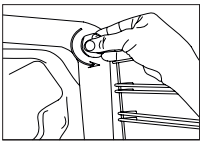
WARNING: To avoid electric shock, ensure that the appliance circuit is open before changing the lamp. (having circuit open means power is off) First disconnect the power of appliance and ensure that appliance is cold.

Remove the glass protection by turning as indicated in the figure on the left side. If you have difficulty in turning, then using plastic gloves will help you in turning.

Then remove the lamp by turning, install the new lamp with same specifications.

Reinstall glass protection, plug the power cable of appliance into electrical socket and complete replacement. Now you can use your oven.

Type G9 Lamp



220-240 V, AC
15-25 W

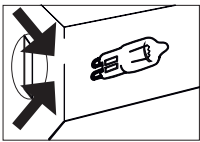
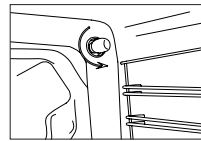


Figure 8

Type E14 Lamp



220-240 V, AC
15 W

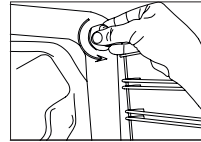


Figure 9

Using The Grill Deflector Sheet *

1. A safety panel is designed to protect control panel and the buttons when the oven is in grill mode. (figure 10)

2. Please use this safety panel in order to avoid the heat to damage control panel and the buttons when the oven is grill mode.

WARNING: Accessible parts may be hot when the grill in use. Young children should be kept away.

3. Place the safety panel under control panel by opening the oven front cover glass. (figure 11)

4. And then secure the safety panel in between oven and front cover by gently closing the cover. (figure 12)

5. It is important for cooking to keep the cover open in specified distance when cooking in grill mode.

6. Safety panel will provide an ideal cooking circumstance while protecting control panel and buttons.

WARNING: If the cooker has the “closed grill functioned” option with thermostat, you can keep the oven door closed during operation; in this case the grill deflector sheet will be unnecessary.

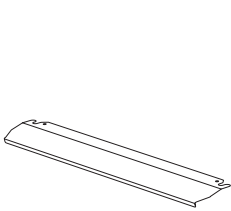


Figure 10

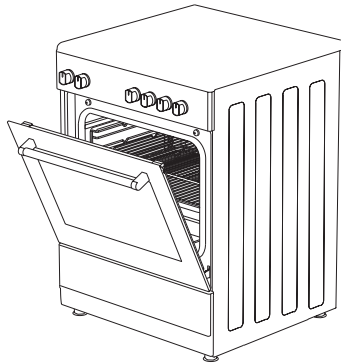


Figure 11

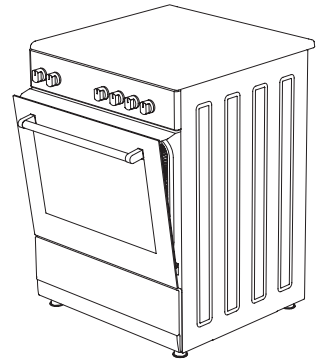


Figure 12

TROUBLESHOOTING

You may solve the problems you may encounter with your product by checking the following points before calling the technical service.

Check Points

In case you experience a problem about the oven, first check the table below and try out the suggestions.

Problem	Possible Cause	What to Do
Oven does not operate.	Power supply not available.	Check for power supply.
Turns off during cooking.	Too long continuous operation.	Let the oven cool down after long cooking cycles.
Oven door is not opening properly.	Food residues jammed between the door and internal cavity.	Clean the oven well and try to re-open the door.
Electric shock when touching the oven.	No proper grounding.	Make sure power supply is grounded properly.
	Ungrounded wall socket is used.	
Water dripping.	Water or steam may generate under certain conditions depending on the food being cooked. This is not a fault of the appliance.	Let the oven cool down and then wipe dry with a dishcloth.
Steam coming out from a crack on oven door.		
Water remaining inside the oven.		
Smoke coming out during operation.	When operating the oven for the first time	Smoke comes out from the heaters. This is not a fault. After 2-3 cycles, there will be no more smoke.
	Food on heater.	Let the oven to cool down and clean food residues from the heater.

Problem	Possible Cause	What to Do
When operating the oven burnt or plastic odour coming out.	Plastic or other not heat resistant accessories are being used inside the oven.	At high temperatures, use suitable glassware accessories.
Oven does not heat.	Oven door is open.	Close the door and restart.
	Oven controls not correctly adjusted.	Read the section regarding operation of the oven and reset the oven.
	Fuse tripped or circuit breaker turned off.	Replace the fuse or reset the circuit breaker. If this is repeating frequently, call an electrician.
Oven does not cook well.	Oven door is opened frequently during cooking.	Do not open oven door frequently, if the food you are cooking does not require turning. If you open the door frequently internal temperature drops and therefore cooking result will be influenced.
Internal light is dim or does not operate.	Foreign object covering the lamp during cooking.	Clean internal surface of the oven and check again.
	Lamp might be failed.	Replace with a lamp with same specifications.

HANDLING RULES

1. Do not use the door and/or handle to carry or move the appliance.
2. Carry out the movement and transportation in the original packaging.
3. Pay maximum attention to the appliance while loading/unloading and handling.
4. Make sure that the packaging is securely closed during handling and transportation.
5. Protect from external factors (such as humidity, water, etc.) that may damage the packaging.
6. Be careful not to damage the appliance due to bumps, crashes, drops, etc. while handling and transporting and not to break or deform it during operation.

RECOMMENDATIONS FOR ENERGY SAVING

Following details will help you use your product ecologically and economically.

1. Use dark coloured and enamel containers that conduct the heat better in the oven.
2. As you cook your food, if the recipe or the user manual indicates that pre-heating is required, pre-heat the oven.
3. Do not open the oven door frequently while cooking.
4. Try not to cook multiple dishes simultaneously in the oven. You may cook at the same time by placing two cookers on the wire rack.
5. Cook multiple dishes successively. The oven will not lose heat.
6. Turn off the oven a few minutes before the expiration time of cooking. In this case, do not open the oven door.
7. Defrost the frozen food before cooking.

ENVIRONMENTALLY-FRIENDLY DISPOSAL



Dispose of packaging in an environmentally-friendly manner.

This appliance is labelled in accordance with European Directive 2012/19/EU concerning used electrical and electronic appliances (waste electrical and electronic equipment - WEEE). The guideline determines the framework for the return and recycling of used appliances as applicable throughout to the EU.

PACKAGE INFORMATION

Packaging materials of the product are manufactured from recyclable materials in accordance with our National Environment Regulations. Do not dispose of the packaging materials together with the domestic or other wastes. Take them to the packaging material collection points designated by the local authorities.

Chers utilisateurs,

Fabriqué dans nos installations modernes et un environnement de travail soigné, et en conformité avec le concept de qualité absolue, cet appareil a été conçu dans l'optique de vous offrir un meilleur rendement.

Par conséquent, nous vous suggérons de lire attentivement ce manuel avant d'utiliser l'appareil et, de le garder en permanence à votre disposition.

Remarque : Ce manuel d'utilisation est élaboré pour plusieurs modèles à la fois. Par ailleurs, certaines fonctionnalités mentionnées dans ce manuel pourraient ne pas être disponibles sur votre appareil.

Tous nos appareils sont destinés à un usage domestique et non à un usage commercial.

Les produits marqués d'un (*) sont optionnels.

« Conforme à la directive DEEE. »

Table des matières

Avertissements importants.....	38
Méthodes de protection de la surface de cuisson en vitrocéramique.....	48
Connexion électrique.....	49
Présentation de l'appareil.....	50
Accessoires.....	51
Caractéristiques techniques de votre four.....	52
Installation de votre four.....	53
Illustration d'arrimage de chaîne.....	55
Panneau de commande.....	55
Utilisation de la section de four.....	56
Utilisation du grill.....	57
Utilisation de la rôtissoire pour poulet.....	57
Utilisation de la table de cuisson.....	58
Types de programmes.....	60
Tableau de cuisson.....	61
Maintenance et nettoyage.....	62
Assemblage de la porte du four.....	63
Nettoyage et maintenance de la vitre avant du four.....	64
Parois catalytiques.....	64
Positions de la grille.....	65
Remplacement de l'ampoule du four.....	65
Utilisation de la feuille de déflecteur de grill.....	66
Dépannage.....	67
Règles de manutention.....	69
Recommandations pour économiser l'énergie.....	69
Mise au rebut respectueuse de l'environnement.....	70
Informations relatives à l'emballage.....	70

AVERTISSEMENTS IMPORTANTS

1. L'installation et la réparation doivent toujours être effectuées par un « **SERVICE AUTORISÉ** ». Le fabricant ne peut être tenu responsable des opérations effectuées par des personnes non autorisées.

2. Veuillez lire attentivement ce mode d'emploi. Ainsi, seulement de cette manière vous pouvez utiliser l'appareil en toute sécurité et de façon correcte.

3. Le four doit être utilisé conformément aux instructions d'utilisation.

4. Veuillez vous assurer que les enfants de moins de 8 ans et les animaux domestiques soient à l'écart lors de l'utilisation.

5. **AVERTISSEMENT: Les parties accessibles peuvent être chaudes lors de l'utilisation du grill. Tenez-le hors de la portée des enfants.**

6. **AVERTISSEMENT: Risque d'incendie ; Ne stockez pas les matériaux sur la surface de cuisson.**

7. **AVERTISSEMENT: L'appareil et ses parties accessibles sont chauds lors de l'utilisation.**

8. Les conditions de réglage de cet appareil sont spécifiées sur l'étiquette. (ou sur la plaque signalétique)

9. Les pièces accessibles peuvent être chaudes lorsque le grill est en cours d'utilisation. Les enfants doivent être tenus à l'écart.

10. AVERTISSEMENT: Cet appareil est destiné à la cuisson. Il ne devrait pas être utilisé à d'autres fins comme le chauffage d'une pièce.

11. Pour nettoyer l'appareil, n'utilisez pas de nettoyeurs à vapeur.

12. Veuillez vous assurer que la porte du four soit complètement fermée après avoir mis de la nourriture dans le four.

13. N'essayez JAMAIS d'éteindre le feu avec de l'eau. Arrêtez le circuit de l'appareil et couvrez la flamme avec un couvercle ou une couverture anti-feu.

14. Les enfants de moins de 8 ans doivent être tenus à l'écart, s'ils ne peuvent pas être surveillés en permanence.

15. Il faut éviter de toucher les éléments chauffants.

16. ATTENTION ! Le processus de cuisson doit être supervisé. Le processus de cuisson doit toujours être supervisé.

17. Cet appareil peut être utilisé par des enfants de plus de 8 ans, des personnes ayant des problèmes physiques, auditifs ou mentaux ou des personnes ayant un manque d'expérience ou de connaissances; tant que le contrôle est assuré ou que des informations sont fournies sur les dangers.

18. Cet appareil a été conçu pour un usage domestique uniquement.

19. Ne laissez pas les enfants jouer avec l'appareil. Le nettoyage ou l'entretien de l'appareil ne doit pas être effectué par des enfants à moins qu'ils aient plus de 8 ans et qu'ils soient supervisés par des adultes.

20. Maintenez l'appareil et son cordon d'alimentation à l'écart des enfants de moins de 8 ans.

21. Veuillez vous assurer que les rideaux, les tulles, le papier ou tout autre matériau inflammable soient tenus à l'écart de l'appareil avant de commencer à utiliser l'appareil. Ne mettez pas de matériaux inflammables sur ou dans l'appareil.

22. Gardez les canaux de ventilation ouverts.

23. L'appareil n'est pas conçu pour être utilisé au moyen d'une minuterie externe ou d'une télécommande séparée.

24. Ne chauffez pas les boîtes fermées et les bocaux en verre. La pression peut faire exploser les bocaux.

25. La poignée du four n'est pas un sèche-serviettes. Veuillez ne pas accrocher les serviettes, etc. sur la poignée du four.

26. Veuillez ne placez pas les plateaux du four, les assiettes ou les feuilles d'aluminium directement sur la base du four. La chaleur accumulée peut endommager la base du four.

27. Lorsque vous placez des aliments ou enlevez des aliments du four, etc., veuillez toujours utiliser des gants de cuisine résistants à la chaleur.

28. N'utilisez pas le produit dans des états tels que médicamenteux et / ou sous influence d'alcool qui peuvent affecter votre capacité de jugement.

29. Soyez prudent lorsque vous utilisez de l'alcool dans vos aliments. L'alcool s'évapore à haute température et peut prendre feu pour provoquer un incendie s'il entre en contact avec des surfaces chaudes.

30. Après chaque utilisation, vérifiez si l'appareil est hors tension.

31. Si l'appareil est défectueux ou a un dommage visible, ne faites pas fonctionner l'appareil.

32. N'utilisez pas l'appareil lorsque la vitre de la porte avant est retirée ou brisée.

33. Placez le papier sulfurisé avec les aliments dans un four préchauffé en les plaçant dans une cuisinière ou sur un accessoire du four (plateau, gril, etc.).

34. Ne placez pas d'objets que les enfants peuvent atteindre sur l'appareil.

35. Il est important de placer correctement le grillage et le plateau sur les grilles et / ou de placer correctement le plateau sur le rail. Placez le gril ou le plateau entre deux rails et assurez-vous qu'il est équilibré avant de mettre de la nourriture dessus.

36. Au risque que ceux-ci entrent en contact avec les éléments chauffants du four, enlevez les parties excédentaires du papier sulfurisé qui sont suspendues à l'accessoire ou au contenant.

37. Ne l'utilisez jamais à des températures de four supérieures à la température d'utilisation maximale indiquée sur votre papier sulfurisé. Ne placez pas le papier sulfurisé sur la base du four.

38. Lorsque la porte est ouverte, ne placez aucun objet lourd sur la porte et ne laissez pas les enfants s'y asseoir. Cela peut provoquer le renversement du four ou endommager les charnières de la porte.

39. Les matériaux d'emballage sont dangereux pour les enfants. Gardez les matériaux d'emballage hors de la portée des enfants.

40. N'utilisez pas de nettoyeurs abrasifs ou de grattoirs en métal tranchants pour nettoyer la vitre, car les égratignures qui pourraient se produire sur la surface de la vitre de la porte peuvent la casser.

41. Ne frappez pas les surfaces en verre des cuisinières vitro-céramiques avec un métal dur, car cela peut endommager la résistance. Cela pourrait causer une électrocution.

42. L'utilisateur ne doit pas manipuler le four seul.

43. L'utilisateur doit être prudent lors du nettoyage des brûleurs à gaz. Cela peut causer des blessures personnelles.

44. De la nourriture peut être renversée lorsque le pied du four est démonté ou se casse, soyez prudent. Cela peut causer des blessures personnelles.

45. Lors de l'utilisation, les surfaces internes et externes du four deviennent chaudes. Lorsque vous ouvrez la porte du four, reculez pour éviter la vapeur chaude qui s'échappe de l'intérieur. Il y a un risque de brûlure.

46. Le couvercle supérieur du four peut être fermé pour une raison. Reculez pour éviter que la nourriture chaude ne vous tombe dessus. Il y a un risque de brûlure.

47. Ne placez pas d'objets lourds lorsque la porte du four est ouverte, car il y a un risque de basculement.

48. L'utilisateur ne doit pas disloquer la résistance lors du nettoyage. Cela pourrait causer une électrocution.

49. Ne retirez pas les interrupteurs d'allumage de l'appareil. Sinon, des câbles électriques sous tension sont accessibles. Cela pourrait causer une électrocution.

50. L'alimentation du four peut être déconnectée lors de travaux de construction à la maison. Lorsque les travaux sont terminés, la re-connexion du four doit être effectuée par un technicien agréé.

51. Ne placez pas d'ustensiles en métal tels qu'un couteau, une fourchette ou une cuillère sur la surface de l'appareil, car ils deviendront chauds.

52. Pour éviter toute surchauffe, l'appareil ne doit pas être installé derrière un couvercle décoratif.

53. Éteignez l'appareil avant de retirer les protections. Après le nettoyage, installez les protections conformément aux instructions.

- 54.** Le point de fixation du câble doit être protégé.
- 55.** Veuillez ne pas faire cuire les aliments directement sur le plateau/la grille. Veuillez mettre la nourriture dans ou sur les plats appropriés avant de les mettre dans le four.
- 56. ATTENTION: Si la vitre du four est cassée, éteignez immédiatement tout élément chauffant et débranchez l'appareil de la source d'alimentation, ne touchez pas la surface de l'appareil et n'utilisez pas l'appareil.**

Sécurité électrique

1. Demandez à un électricien agréé de régler l'équipement de mise à la terre. Notre société ne sera pas responsable des dommages qui seraient encourus en raison de l'utilisation du produit sans mise à la terre conformément à la réglementation locale.

2. Les interrupteurs du disjoncteur du four doivent être placés de telle sorte que l'utilisateur final puisse les atteindre lorsque le four est installé.

3. Le cordon d'alimentation ne doit pas entrer en contact avec les parties chaudes de l'appareil.

4. Si le cordon d'alimentation est endommagé, faites-le remplacer par le fabricant, son agent de service ou par un personnel à compétence égale, afin d'éviter toute situation dangereuse.

5. Ne lavez jamais le produit en le pulvérisant ou en versant de l'eau dessus ! Il y a un risque d'électrocution.

6. AVERTISSEMENT: Pour éviter les chocs électriques, assurez-vous que le circuit de l'appareil soit ouvert avant de changer la lampe.

7. AVERTISSEMENT: Coupez toutes les connexions du circuit d'alimentation avant d'accéder aux bornes.

8. AVERTISSEMENT: Si la surface est fissurée, éteignez l'appareil pour éviter tout risque de choc électrique.

9. N'utilisez pas de cordons coupés ou endommagés ou de rallonges autres que le cordon d'origine.

10. La surface arrière du four chauffe également lorsque le four est utilisé. Les connexions électriques ne doivent pas toucher la surface arrière, sinon les connexions pourraient être endommagées.

11. Ne serrez pas les câbles de raccordement à la porte du four et ne les passez pas sur des surfaces chaudes. Si le cordon fond, cela pourrait provoquer un court-circuit et même un incendie.

12. Si le câble d'alimentation est endommagé, faites-le remplacer par son fabricant, par un service technique agréé ou par un personnel qualifié de même niveau afin d'éviter toute situation dangereuse.

13. N'utilisez pas de nettoyeur à vapeur pour nettoyer l'appareil, sinon un choc électrique pourrait se produire.

14. Un interrupteur omnipolaire capable de déconnecter l'alimentation est nécessaire pour l'installation. Le débranchement de l'alimentation doit être fourni avec un interrupteur ou un fusible intégré installé sur une source d'alimentation fixe conformément au code du bâtiment.

15. L'appareil est équipé d'un câble de **type «Y»**.

16. Les connexions fixes doivent être connectées à une alimentation permettant une déconnexion omnipolaire. Pour les appareils avec une catégorie de surtension inférieure à III, le dispositif de déconnexion doit être raccordé à une alimentation fixe conformément au code de câblage.

Utilisation prévue

1. Ce produit est conçu pour un usage domestique. L'utilisation commerciale de l'appareil n'est pas autorisée.

2. Cet appareil doit être utilisé uniquement pour la cuisine. Il ne devrait pas être utilisé à d'autres fins tel que le chauffage d'une pièce.

3. Cet appareil ne doit pas être utilisé pour chauffer des assiettes sous le gril, ou pour sécher des vêtements ou des serviettes en les accrochant sur la poignée ou à des fins de chauffage.

4. Le fabricant ne sera pas tenu responsable de tout dommage résultant d'une mauvaise utilisation ou manipulation.

5. La partie du four de l'appareil peut être utilisée pour décongeler, rôtir, frire et griller les aliments.

6. La durée de vie opérationnelle de l'appareil que vous avez acheté est de 10 ans. Il s'agit de la période pendant laquelle les pièces détachées nécessaires au fonctionnement de cet appareil tel que défini sont fournies par le fabricant.

Méthodes de protection de la surface de cuisson en vitrocéramique

La surface en vitrocéramique est incassable et résiste aux rayures dans une certaine mesure. Cependant, pour éviter tout dommage, veuillez procéder comme suit:

1. Ne jamais verser de l'eau froide sur les cuiseurs chauds.
2. Ne vous tenez pas sur une plaque de vitrocéramique
3. Une pression soudaine, par exemple, l'effet d'une chute de salière peut être critique. Donc, ne placez pas de tels objets sur un endroit au-dessus des plaques de cuisson.
4. Après chaque utilisation, assurez-vous que la base de la marmite et les surfaces des zones de cuisson sont propres et sèches.
5. N'épluchez pas les légumes sur les surfaces de la table de cuisson. Les grains de sable qui tombent des légumes peuvent rayer la plaque de verre en céramique.
6. Ne posez pas de matériaux inflammables tels que du carton ou du plastique sur le four. Des objets tels que l'étain, le zinc ou l'aluminium (ainsi que des feuilles d'aluminium ou des cafetières vides) peuvent fondre sur les surfaces de cuisson chaudes et causer des dommages.
7. Veillez à ne pas laisser les aliments sucrés ou les jus de fruits entrer en contact avec les zones de cuisson chaudes. La surface en vitrocéramique peut être tachée par ceux-ci.

Connexion Electrique

1. Votre four fonctionne avec des fusibles de 40 ampères selon la puissance du four. Si nécessaire, une installation par un électricien qualifié est recommandée.

2. Votre four est réglé en conformité avec une alimentation électrique de 220-240V / 380-415V AC, 50/60 Hz. Si le courant est différent de cette valeur spécifiée, contactez votre centre de service autorisé.

3. Le four doit être relié à la terre et il faut que la connexion soit installée en conformité avec les réglementations. S'il n'y a pas de prise adéquate avec la terre là où le four sera installé, contactez immédiatement un électricien qualifié. Le fabricant ne sera jamais responsable des dommages dus au fait que l'appareil est connecté à des prises sans la terre. Si l'extrémité du câble de connexion électrique est ouverte, selon le type d'appareil, installez un interrupteur de secteur approprié sur le réseau par lequel toutes les extrémités peuvent être déconnectées en cas de connexion / déconnexion du /au réseau.

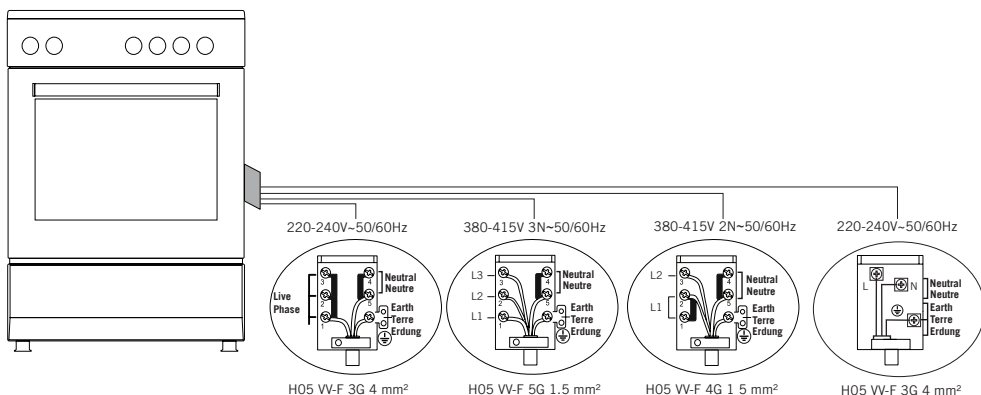
4. Si le cordon d'alimentation est endommagé il doit être remplacé par le fabricant, un réparateur agréé ou toute personne qualifiée, afin d'éviter tout danger.

5. Le câble électrique ne doit pas être en contact avec les pièces chaudes de l'appareil.

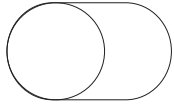
6. Veuillez utiliser votre four dans une atmosphère sèche.

7. Au moment de positionner votre four dans son emplacement, il doit être au niveau du plan de travail. Ramenez-le à ce niveau à l'aide des pieds si nécessaire.

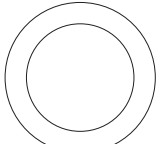
Connexion électrique schéma



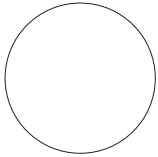
PRESENTATION DE L'APPAREIL



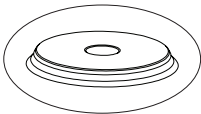
11



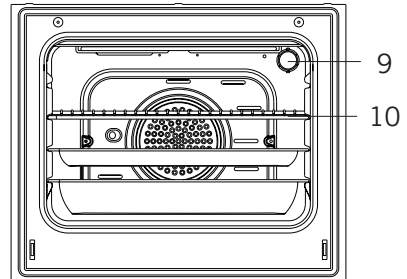
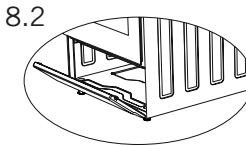
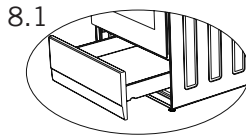
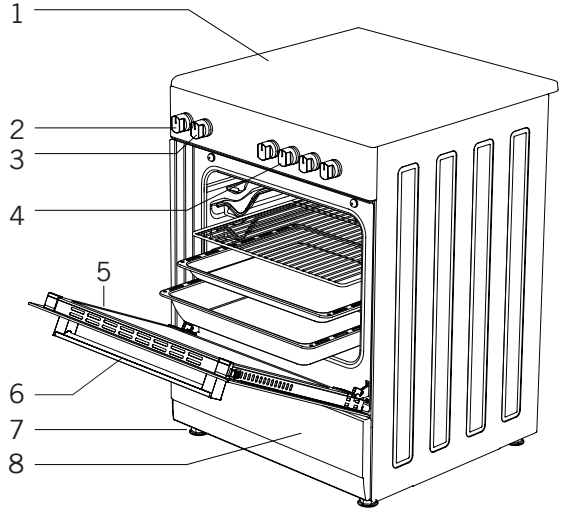
12



13



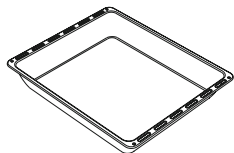
14



- 1. Plateau en verre
- 2. Bouton de thermostat
- 3. Bouton de commande pour four
- 4. Régulateurs pour plaques vitrocéramiques
- 5. Porte du four
- 6. Poignée
- 7. Jambe en plastique
- 8. Porte de l'armoire inférieure

- 8.1. Tiroir
- 8.2. Porte battante
- 9. Ampoule
- 10. Grill
- 11. Réchauffeur en céramique (140 mm / 250 mm)
- 12. Réchauffeur en céramique (120 mm / 180 mm)
- 13. Réchauffeur en céramique (140 mm ou 180 mm)
- 14. Plat chaud (145 mm ou 185 mm)

Accessoires



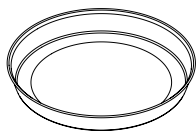
Bac de déversement *

Utilisé pour les pâtisseries, les aliments frits et les recettes de ragoût. En cas de friture directe sur le gril pour les gâteaux, les aliments congelés et les plats de viande, le plateau de récupération d'huile peut être utilisé.



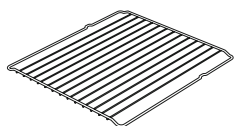
Plateau / Plateau verre *

Utilisé pour les pâtisseries (cookies, biscuits, etc.) et les aliments congelés.



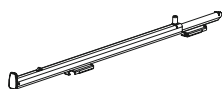
Plateau round *

Utilisée pour les farinages et produits congelés.



Grille métallique

Utilisée pour frire et/ou placer les aliments à cuire, frits et congelés sur la grille désirée.



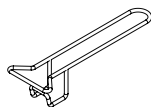
Rail télescopique *

A l'aide de rails télescopiques, les plateaux et/ou les grilles métalliques peuvent être facilement montés et démontés.



Dans le grillage *

Les aliments qui peuvent attacher lors de la cuisson, tels que les steaks, sont placés sur la grille du plateau. Ainsi, le contact et le collage de la nourriture sont évités.



Poignée du plateau *

Il est utilisé pour tenir des plateaux chauds.

Caracteristiques Techniques De Votre Four

Spécifications	50x55	50x60	60x60
Largeur extérieure	500 mm	500 mm	600 mm
Profondeur extérieure	565 mm	630 mm	630 mm
Hauteur extérieure	855 mm	855 mm	855 mm
Puissance de la lampe	15-25 W		
Élément chauffant inférieur	1000 W	1000 W	1200 W
Élément chauffant supérieur	800 W	800 W	1000 W
Élément de chauffage turbo	-----	1800 W	2200 W
Élément de chauffage de la grille	1500 W	1500 W	2000 W
Tension d'alimentation	220-240V AC/380-415V AC 50/60 Hz		
Plaque chauffante 145 mm *	1000 W		
Plaque chauffante 180 mm *	1500 W		
Plaque chauffante rapide 145 mm *	1500 W		
Plaque chauffante rapide 180 mm *	2000 W		
Réchauffeur en céramique 140 mm *	1200 W		
Réchauffeur en céramique 180 mm *	1700 W / 1800 W		
Réchauffeur en céramique 140 mm / 250 mm *	1800 W		
Réchauffeur en céramique 120 mm / 180 mm *	1700 W		

AVERTISSEMENT: Pour que la modification soit effectuée par un service autorisé, ce tableau doit être pris en compte. Le fabricant ne peut être tenu responsable des problèmes qui pourraient survenir à cause d'une modification défectueuse.

AVERTISSEMENT: Afin d'améliorer la qualité du produit, les spécifications techniques peuvent être modifiées sans préavis.

AVERTISSEMENT: Les valeurs fournies avec l'appareil ou les documents qui l'accompagnent sont des valeurs de laboratoire conformes aux normes respectives. Ces valeurs peuvent varier en fonction de l'utilisation et des conditions ambiantes.

INSTALLATION DE VOTRE FOUR

Vérifiez si l'installation électrique est appropriée pour mettre l'appareil en état de fonctionnement. Si l'installation électrique ne convient pas, appelez un électricien et un plombier pour les organiser au besoin. Le fabricant ne peut être tenu responsable des dommages causés par des opérations effectuées par des personnes non autorisées.

AVERTISSEMENT: Il est de la responsabilité du client de préparer l'emplacement où l'appareil doit être placé et d'avoir également une source d'électricité préparée.

AVERTISSEMENT: Les règles dans les normes locales concernant les installations électriques doivent être respectées lors de l'installation de l'appareil.

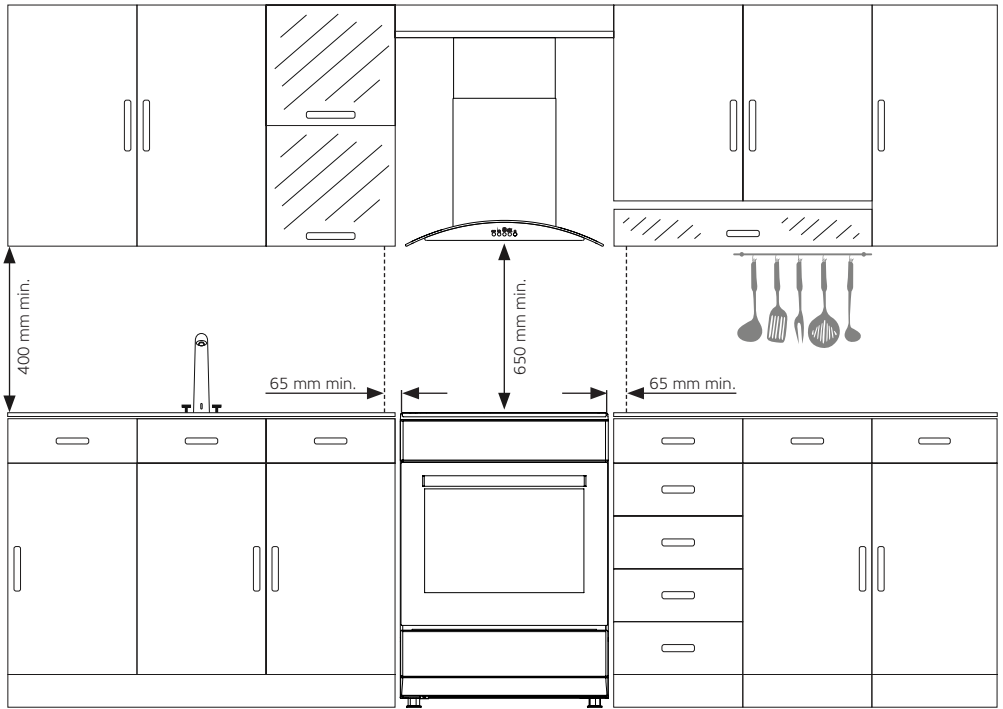
AVERTISSEMENT: Vérifiez s'il y a des dommages sur l'appareil avant de l'installer. N'installez pas l'appareil s'il est endommagé. Les appareils endommagés présentent un danger pour votre sécurité.

Endroit approprié pour l'installation et avertissements importants

Les pieds de l'appareil ne doivent pas rester sur des surfaces molles telles que les tapis. Le plancher de la cuisine doit être durable pour supporter le poids de l'unité et tous les autres ustensiles de cuisine pouvant être utilisés sur le four.

L'appareil doit être utilisé avec un dégagement d'au moins 400 mm sur les surfaces de cuisson supérieures et de 65 mm sur les surfaces latérales à l'intérieur des meubles de cuisine.

L'appareil peut être utilisé sur les deux parois latérales, sans aucun support, ou sans être installé dans une armoire. Si une hotte ou un aspirateur doit être installé au-dessus de la cuisinière, suivez les instructions du fabricant pour la hauteur de montage. (min. 650 mm)

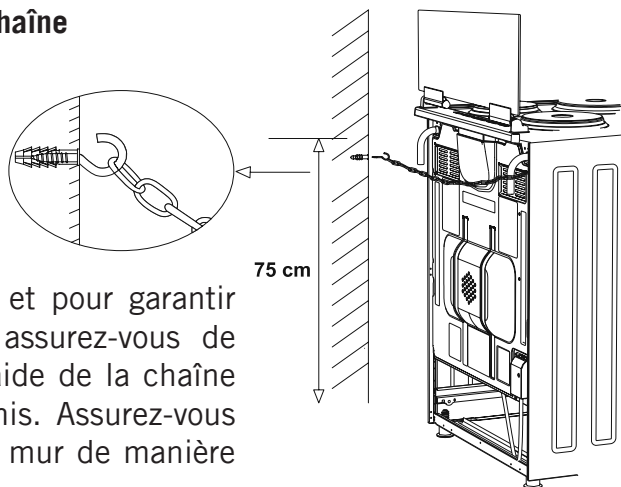


AVERTISSEMENT: Les meubles de cuisine près de l'appareil doivent être résistants à la chaleur.

AVERTISSEMENT: N'installez pas l'appareil à proximité de réfrigérateurs ou de congélateurs. La chaleur émise par l'appareil augmente la consommation d'énergie des dispositifs de refroidissement.

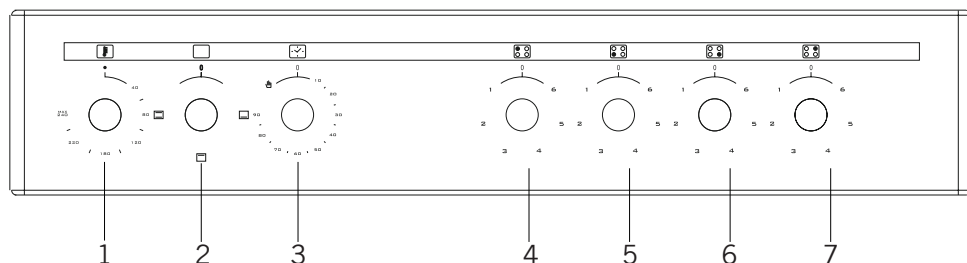
AVERTISSEMENT: N'utilisez pas la porte et / ou la poignée pour transporter ou déplacer l'appareil.

Illustration D'arrimage De Chaîne



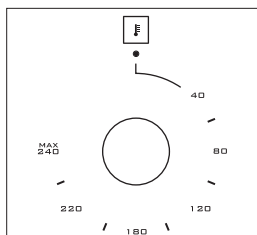
Avant d'utiliser l'appareil et pour garantir une utilisation sécurisée, assurez-vous de fixer l'appareil au mur à l'aide de la chaîne et de la vis à crochet fournis. Assurez-vous que le crochet est vissé au mur de manière sécurisée.

PANNEAU DE COMMANDE

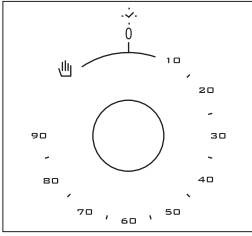


1. Thermostat
2. Bouton de sélection de fonctions
3. Minuterie mécanique *
4. Feu électrique arrière gauche
5. Feu électrique avant gauche
6. Feu électrique avant droit
7. Feu électrique arrière droit

AVERTISSEMENT : Le panneau de contrôle ci-dessus est uniquement à des fins d'illustration. Examinez le panneau de commande de votre appareil.



Thermostat: Utilisé pour déterminer la température de cuisson du plat à cuire au four. Après avoir placé la nourriture à l'intérieur du four, tournez le bouton pour ajuster le réglage de température souhaité entre 40-240 °C. Pour la température de cuisson de différents aliments, consultez le tableau de cuisson.



Minuterie mécanique Utilisée pour déterminer la période pour la cuisson au four. Lorsque la durée réglée est expirée, l'alimentation des feux est coupée et un signal d'avertissement sonore est émis. La minuterie mécanique peut être ajustée à la période souhaitée entre 0 et 90 minutes. Pour les périodes de cuisson, consultez les tableaux de cuisson.

UTILISATION DE LA SECTION DE FOUR

Utilisation Des Éléments Chauffants Du Four

1. Lorsque vous utilisez votre four pour la première fois, une odeur se dégage pendant l'utilisation des éléments chauffants. Pour éliminer ces odeurs, faites-le fonctionner à 240 °C pendant 45 à 60 minutes lorsqu'il est vide.

2. Positionnez le bouton de commande du four sur la valeur souhaitée, autrement le four ne fonctionne pas.

3. Les types de repas, les temps de cuisson et les positions du thermostat sont présentés dans le tableau de cuisson. Les valeurs indiquées dans le tableau de cuisson sont des valeurs caractéristiques. Elles ont été obtenues grâce aux tests réalisés dans notre laboratoire. Vous pouvez trouver des arômes différents à votre goût en fonction de votre façon de cuisiner et de vos habitudes.

4. Vous pouvez faire cuire un poulet dans votre four avec le tournebroche en utilisant les accessoires appropriés.

5. Temps de cuisson: Les résultats peuvent varier en fonction de la tension, de la qualité, de la quantité et des températures.

6. Évitez d'ouvrir fréquemment la porte du four lorsqu'une cuisson est en cours. Autrement, la chaleur pourrait être distribuée de façon inappropriée et les résultats attendus peuvent changer.

Utilisation Du Grill

1. Lorsque vous placez le grill sur le panier supérieur, les aliments sur le grill ne doivent pas toucher le grill.

2. Vous pouvez préchauffer pendant 5 minutes tout en grillant. Si nécessaire, vous pouvez retourner la nourriture à l'envers.

3. Les aliments doivent être au centre du grill pour assurer un débit d'air maximal à travers le four.

Pour allumer le grill:

1. Placez le bouton de fonction sur le symbole du grill.

2. Ensuite, réglez-le à la température désirée du grill.

Pour éteindre le grill

Réglez le bouton de fonction sur la position d'arrêt.

AVERTISSEMENT: Gardez la porte du four fermée pendant la cuisson.
(grill électrique)

AVERTISSEMENT: Gardez la porte du four ouverte pendant la cuisson.
(grill à gaz)

Utilisation De La Rôtissoire Pour Poulet *

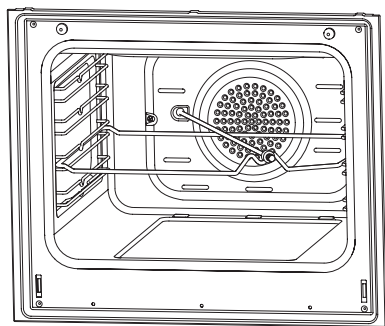


Figure 1

Placez la broche à rôtir sur le cadre. Faites glisser le cadre de la broche à rôtir dans le four au niveau souhaité. Installez le récipient de récupération à travers la partie inférieure pour la récupération des aliments. Ajoutez de l'eau dans le récipient de récupération pour un nettoyage facile. N'oubliez pas de retirer le plastique de la broche à rôtir. Après la cuisson, vissez la poignée plastique sur la brochette et retirez les aliments du four.

Utilisation De La Table De Cuisson

Utilisation et description de la plaque de cuisson

	Niveau 1	Niveau 2	Niveau 3	Niveau 4	Niveau 5	Niveau 6	Niveau 7	Niveau 8	Niveau 9	Max.
140 mm Commutateur	130 W	206 W	350 W	500 W	850 W	1200 W	---	---	---	---
180 mm Commutateur	180 W	470 W	790 W	850 W	1230 W	1700 W	---	---	---	---
180 mm Régulateur	1800 W	1800 W	1800 W	1800 W	1800 W	1800 W	1800 W	1800 W	1800 W	---
140/250 mm	1000 W	1000 W	1000 W	1000 W	1000 W	1000 W	1000 W	1000 W	1000 W	1800 W
120/180 mm Double	700 W	700 W	700 W	700 W	700 W	700 W	700 W	700 W	700 W	1700 W

1. Allumez la plaque de cuisson à l'aide des boutons présents sur le panneau de configuration. Vous pouvez régler la puissance en fonction de la température désirée.

2. Afin d'avoir une cuisson réussite, le fond de la casserole doit être épaisse et droite si possible.

3. La dimension de la casserole doit être identique à celle de la zone de cuisson. Eteindre la zone de cuisson avant la fin de la cuisson afin de gagner de la chaleur restante.

4. Pour allumer tourner le bouton dans le sens des aiguilles d'une montre. La température est limitée avec l'indicateur se trouvant sur le bouton.

5. Pour une double cuisson, le premier cercle sert de zone unique, le second cercle s'allumera après avoir positionner le bouton sur "max". Quand vous tournerez le bouton, le premier cercle s'allumera au maximum et la puissance du second diminuera jusqu'à obtenir le température souhaitée. Sur la position « 0 » tout toutes les zones s'éteindront

Utilisation Des Plaques Chauffantes

	Niveau 1	Niveau 2	Niveau 3	Niveau 4	Niveau 5	Niveau 6
80 mm	200 W	250 W	450 W	---	---	---
145 mm	250 W	750 W	1000 W	---	---	---
180 mm	500 W	750 W	1500 W	---	---	---
145 mm rapide	500 W	1000 W	1500 W	---	---	---
180 mm rapide	850 W	1150 W	2000 W	---	---	---
145 mm	95 W	155 W	250 W	400 W	750 W	1000 W
180 mm	115 W	175 W	250 W	600 W	850 W	1500 W
145 mm rapide	135 W	165 W	250 W	500 W	750 W	1500 W
180 mm rapide	175 W	220 W	300 W	850 W	1150 W	2000 W
220 mm	220 W	350 W	560 W	910 W	1460 W	2000 W

1. Les plaques chauffantes électriques possèdent en général 6 niveaux de température. (comme décrit ci-dessus)

2. Lors de la première utilisation, faites fonctionner votre plaque chauffante électrique sur la position 6 pendant 5 minutes. De cette façon, l'agent sensible à la chaleur de votre plaque va durcir sous l'effet de la combustion.

3. Servez-vous autant que possible des casseroles à fond plat qui entrent pleinement en contact avec la chaleur, car elles garantissent une utilisation plus productive de l'énergie.



Correct



Incorrect

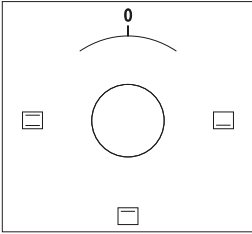


Incorrect



Incorrect

TYPES DE PROGRAMMES



Boutons de fonction : Utilisé pour déterminer les feux devant être utilisés pour le plat à cuire au four. Les types de programmes de chauffage de ce bouton et leurs fonctions sont décrits ci-dessous. Tous les types de chauffage et les types de programme composés de ces appareils de chauffage peuvent ne pas être disponibles sur tous les modèles.

	Tourne broche		Ventilateur
	Élément chauffant supérieur et inférieur éléments		Élément chauffant turbo et ventilateur
	Lampe		Élément chauffant inférieur et supérieur et ventilateur
	Élément chauffant inférieur et ventilateur		Gril et ventilateur
	Grill et tournebroche		Gril
	Grille et lampe		Élément chauffant supérieur
	Minuterie électrique		Élément chauffant inférieur

AVERTISSEMENT : Tous les types de chauffage et les types de programme composés de ces appareils de chauffage peuvent ne pas être disponibles sur tous les modèles.

TABLEAU DE CUISSON

AVERTISSEMENT: Le four doit être préchauffé pendant 10 minutes avant d'y placer des aliments.

Plats	Fonction de Cuisson	Temperature (°C)	Position de La Grille	Temps de Cuisson (min.)
Gâteau	Statique / Statique+Ventilateur	170-180	2	35-45
Petits gâteaux	Statique / Turbo+Ventilateur	170-180	2	25-30
Petit pâté	Statique / Statique+Ventilateur	180-200	2	35-45
Pâtisserie	Statique	180-190	2	25-30
Cookies	Statique	170-180	3	20-25
Tarte aux pommes	Statique / Turbo+Ventilateur	180-190	2	50-70
Gateau éponge	Statique	200/150 *	2	20-25
Pizza	Statique+Ventilateur	180-200	3	20-30
Lasagne	Statique	180-200	2	25-40
Meringue	Statique	100	2	60
Poulet	Statique+Ventilateur / Turbo+Venti.	180-190	2	45-50
Poulet grillé **	Gril	200-220	4	25-30
Poisson grillé **	Gril+Ventilateur	200-220	4	25-30
Contrefilet **	Gril+Ventilateur	Max.	4	15-20
Boulette de viande **	Gril	Max.	4	20-25

* Sans préchauffage. La moitié de la cuisson doit se faire à une température de 200 °C et la deuxième moitié à 150 °C.

** Pendant la moitié de la cuisson, retournez la viande.

MAINTENANCE ET NETTOYAGE

1. Pendant que le four marche ou peu après, il est extrêmement chaud. Il vous faut éviter de toucher les éléments chauffants.
2. Ne nettoyez jamais la partie intérieure, le panneau, le couvercle, les tiroirs et toutes les autres pièces du four avec des outils comme une brosse dure, une éponge métallique ou un couteau. N'utilisez pas de produits abrasifs, qui rayent et des détergents.
3. Après avoir nettoyé les parties intérieures du four avec un chiffon savonneux, rincez et séchez complètement avec un chiffon sec.
4. Nettoyez les surfaces en verre avec des nettoyants spéciaux pour verre.
5. Ne nettoyez pas votre four avec des nettoyeurs à vapeur.
6. Avant d'ouvrir le couvercle supérieur du four, nettoyez le liquide se trouvant sur le couvercle. De plus, avant de le fermer, assurez-vous que la plaque de cuisson est suffisamment refroidie.
7. N'utilisez jamais de produits inflammables comme un acide, un solvant et de l'essence lorsque vous nettoyez votre four.
8. Ne lavez pas d'élément de votre four dans votre lave-vaisselle.
9. Pour nettoyer la porte frontale en verre du four, enlevez les vis de fixation de la poignée avec un tournevis et enlevez la porte du four. Puis nettoyez et rincez complètement. Après séchage, replacez la porte correctement et réinstallez la poignée.

Assemblage De La Porte Du Four

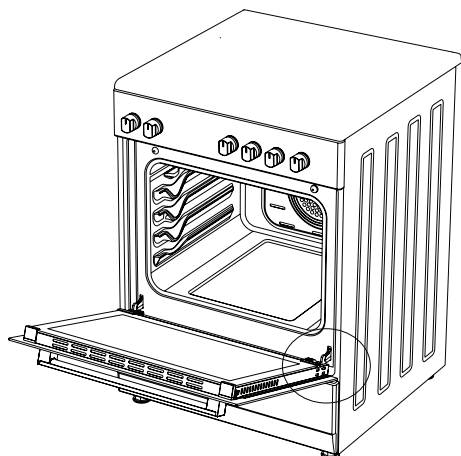


Figure 2

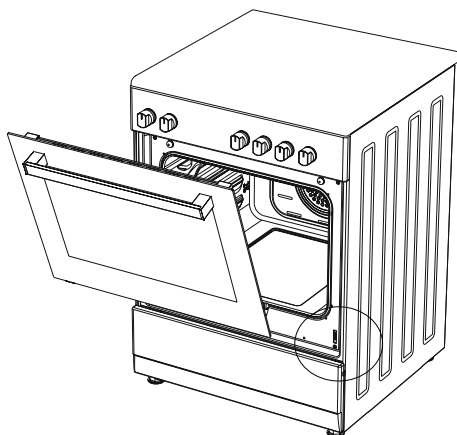


Figure 3

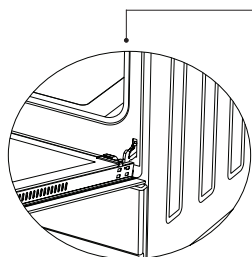


Figure 2.1

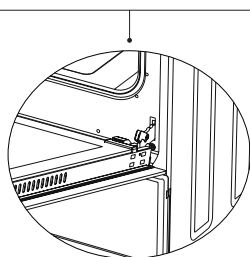


Figure 2.2

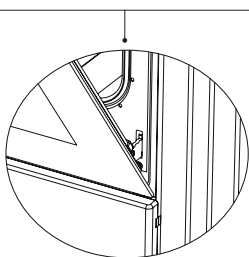


Figure 3.1

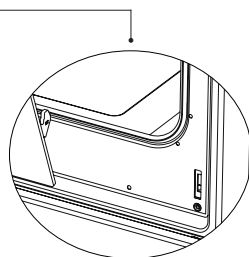


Figure 3.2

Ouvrir complètement la porte du four en la tirant vers vous. Puis, comme indiqué sur le **figure 2.1**, réaliser l'opération de déverrouillage en tirant vers le haut le verrou de la charnière à l'aide d'un tournevis.

Positionnez le verrou de la charnière au degré d'angle le plus grand comme sur le **figure 2.2**. Positionner de la même façon les deux charnières qui attachent la porte du four au four.

Puis fermer la porte du four que vous avez ouvert en le posant sur le verrou de la charnière jusqu'à qu'elle soit en position, comme sur le **figure 3.1**.

Pour retirer la porte du four, lorsque vous êtes au niveau proche de la position fermée, tenir la porte avec les deux mains et tirer vers le haut comme indiqué sur le **figure 3.2**.

Pour remettre la porte du four à sa place, effectuer les mêmes opérations dans le sens inverse.

Nettoyage Et Entretien De La Vitre De La Porte Avant Du Four

Retirez le profilé en appuyant sur les loquets en plastique des côtés gauche et droit, comme illustré à la figure 4, et tirez-le vers vous, comme illustré à la figure 5. Puis, retirez la vitre intérieure, comme illustré à la figure 6. Au besoin, procédez de la même manière pour le retrait de la vitre du milieu. Une fois le nettoyage et l'entretien achevés, remplacez les vitres et le profilé dans l'ordre inverse. Assurez-vous que le profilé est placé comme il convient.

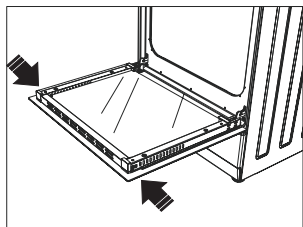


Figure 4

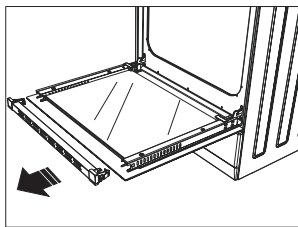


Figure 5

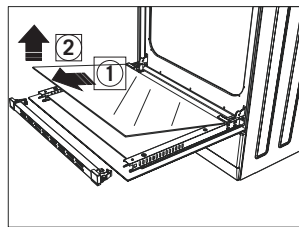


Figure 6

Parois Catalytiques *

Les parois catalytiques se trouvent à gauche et à droite de la cavité située sous les guides. Les parois catalytiques expulsent la mauvaise odeur et permettent d'obtenir une meilleure performance de la cuisinière. Elles absorbent également les résidus d'huile et nettoient votre four lorsqu'il est en marche.

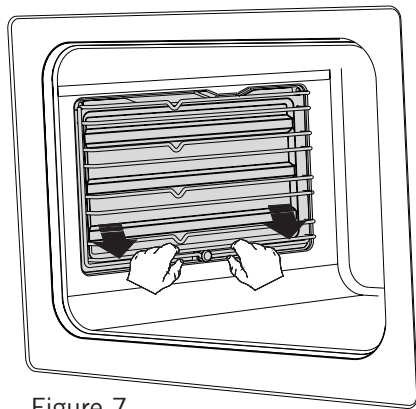
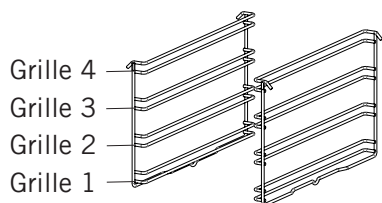


Figure 7

Retrait des parois catalytiques

Pour retirer les parois catalytiques, vous devez retirer les guides. Une fois les guides démontés, les parois catalytiques seront dégagées automatiquement. Vous devez changer les parois catalytiques après 2 ou 3 ans.

Positions De La Grille



Il est important de placer correctement la grille dans le four. Ne laissez pas la grille toucher la paroi arrière du four. Les positions de la grille sont indiquées dans la figure suivante. Vous pouvez placer un plateau profond ou un plateau standard sur les grilles inférieures et supérieures.

Installation et retrait des supports de câbles

Pour retirer les grilles, appuyez sur les clips indiqués par les flèches sur la figure, enlevez en premier lieu le bas et le côté supérieur de l'emplacement d'installation. Pour installer une grille ; effectuez l'inverse de la procédure de retrait d'une grille.

Remplacement De L'ampoule Du Four

AVERTISSEMENT: Pour éviter un choc électrique, assurez-vous que le circuit de l'appareil soit ouvert avant de changer la lampe. (tenir le circuit d'alimentation ouvert signifie que l'alimentation est coupée)

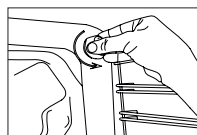
Coupez l'alimentation de l'appareil dans un premier temps et veillez à ce que l'appareil soit froid.

Retirez la protection en verre en la faisant tourner vers le côté gauche tel qu'indiqué sur la figure. Utilisez des gants en plastique pour vous aider si vous avez des difficultés à la faire tourner.

Ensuite, retirez l'ampoule en la faisant tourner, montez la nouvelle ampoule en suivant les mêmes instructions.

Réinstallez la protection en verre, branchez le câble d'alimentation de l'appareil dans la prise électrique et complétez l'opération de remplacement. Vous pouvez désormais utiliser votre four.

Type de lampe G9



220-240 V, AC
15-25 W

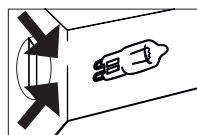


Figure 8

Type de lampe E14



220-240 V, AC
15 W



Figure 9

Utilisation De La Feuille De Déflecteur De Grill *

1. Un panneau de sécurité est conçu pour protéger le panneau de commande et les boutons lorsque le four est en mode grill. (figure 10)

2. Veuillez utiliser ce panneau de sécurité afin d'éviter que la chaleur n'endommage le panneau de commande et les boutons lorsque le four est en mode grill.

AVERTISSEMENT: Les pièces accessibles peuvent être chaudes lorsque le grill est utilisé. Tenez les jeunes enfants éloignés de l'appareil.

3. Placez le panneau de sécurité sous le panneau de commande en ouvrant la vitre avant du four. (figure 11)

4. Ensuite, fixez le panneau de sécurité entre le four et le couvercle avant en fermant doucement le couvercle. (figure 12)

5. Il est important pour la cuisson de garder le couvercle ouvert à la distance spécifiée lors de la cuisson en mode grill.

6. Le panneau de sécurité fournira une circonstance de cuisson idéale tout en protégeant le panneau de contrôle et les boutons.

AVERTISSEMENT: Si la cuisinière possède l'option "gril fermé" avec thermostat, vous pouvez garder la porte du four fermée pendant le fonctionnement; dans ce cas, la feuille de déflecteur du grill sera inutile.

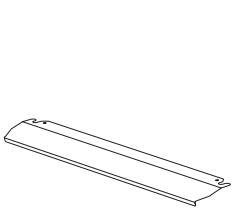


Figure 10

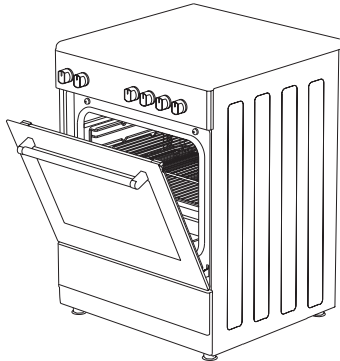


Figure 11

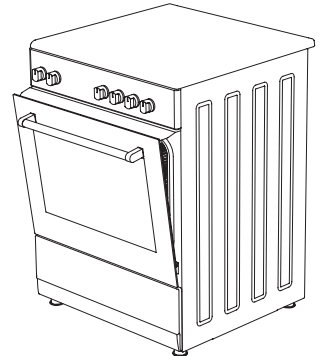


Figure 12

DÉPANNAGE

Vous pouvez résoudre les problèmes que vous pouvez rencontrer avec votre appareil en vérifiant les points suivants avant d'appeler le service technique.

Point de Contrôle

Si vous rencontrez un problème avec le four, vérifiez en premier lieu le tableau ci-dessous et essayez les suggestions.

Problème	Causes probables	Action
Le four ne fonctionne pas.	L'alimentation électrique n'est pas disponible	Vérifiez l'alimentation électrique.
S'éteint pendant la cuisson.	Fonctionnement continu trop long	Laissez le four refroidir après de longs cycles de cuisson.
La porte du four ne s'ouvre pas correctement.	Résidus d'aliments coincés entre la porte et la cavité interne.	Nettoyer à fond le four et essayez De ré-ouvrir la porte.
Un choc électrique lors du contact avec le four.	Pas de mise à la terre appropriée.	Assurez-vous que l'alimentation électrique est correctement mise à la terre.
	Une prise murale non mise à la terre est utilisée.	
De l'eau qui goutte.	L'eau ou la vapeur peuvent se produire dans certaines conditions selon l'aliment en cours de cuisson. Ce n'est pas une faute de l'appareil.	Laissez le four refroidir et essuyez avec un torchon.
Vapeur s'échappant d'une fissure sur la porte du four.		
L'eau reste à l'intérieur du four.		
Fumée sortant pendant l'utilisation.	Lorsque vous utilisez le four pour la première fois.	La fumée sort des éléments chauffants. Ce n'est pas une faute. Après 2 ou 3 cycles, il n'y aura plus de fumée.
	Nourriture sur les éléments chauffants	Laissez le four refroidir et nettoyez les résidus d'aliments

Problème	Causes probables	Action
Lorsque vous faites fonctionner le four, une odeur de plastique brûlé ou sort.	Des accessoires en plastique ou autres résistants à la chaleur sont utilisés à l'intérieur du four.	À des températures élevées, utilisez des accessoires en verre appropriés.
Le four ne chauffe pas.	La porte du four est ouverte.	Fermez la porte et redémarrez.
	Les commandes du four ne sont pas correctement réglées.	Lisez la section concernant le fonctionnement du four et réinitialisez le four.
	Fusible déclenché ou disjoncteur éteint.	Remplacez le fusible ou réinitialisez le disjoncteur. Si cela se répète fréquemment, appelez un électricien.
Le four ne cuit pas bien.	La porte du four est fréquemment ouverte pendant la cuisson.	N'ouvrez pas la porte du four fréquemment si les aliments que vous cuisinez ne nécessitent pas d'être retournés. Si vous ouvrez fréquemment la porte, la température interne chute et le résultat de la cuisson est influencé.
La lumière interne est faible ou ne fonctionne pas.	Objet étranger recouvrant la lampe pendant la cuisson.	Nettoyez la surface interne du four et vérifiez à nouveau.
	La lampe a peut-être tombé.	Remplacez-la avec une lampe avec les mêmes spécifications.

RÈGLES DE MANUTENTION

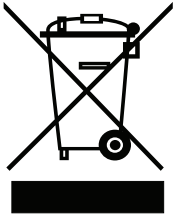
1. N'utilisez pas la porte et / ou la poignée pour transporter ou déplacer l'appareil.
2. Effectuez la manutention et le transport dans l'emballage d'origine.
3. Portez une attention maximale à l'appareil lors du chargement / déchargement et la manipulation.
4. Assurez-vous que l'emballage est bien fermé pendant la manutention et le transport.
5. Protégez contre les facteurs externes (tels que l'humidité, l'eau, etc.) qui pourraient endommager l'emballage.
6. Veillez à ne pas endommager l'appareil en raison d'accidents, chocs, chutes, etc. lors de la manutention et du transport et veillez à ne pas briser ou déformer l'appareil au cours de son utilisation.

RECOMMANDATIONS POUR ÉCONOMISER L'ÉNERGIE

Les détails suivants vous aideront à utiliser votre produit de manière écologique et économique.

1. Utilisez des contenants de couleur foncée et en émail qui conduisent mieux la chaleur dans le four.
2. Lorsque vous cuisinez vos aliments, si la recette ou le manuel d'utilisation indique qu'un préchauffage est requis, préchauffez le four.
3. N'ouvrez pas fréquemment la porte du four lors de la cuisson.
4. Essayez de ne pas faire cuire plusieurs plats en même temps dans le four. Vous pouvez faire cuire en même temps en plaçant deux cuisinières sur le grill.
5. Faites cuire plusieurs plats successivement. Le four ne perdra pas de chaleur.
6. Éteignez le four quelques minutes avant l'expiration du temps de cuisson. Dans ce cas, n'ouvrez pas la porte du four.
7. Décongelez les aliments congelés avant de les cuire.

MISE AU REBUT RESPECTUEUSE DE L'ENVIRONNEMENT



Procédez à la mise au rebut de l'emballage de manière écologique.

Le présent appareil est étiqueté conformément à la Directive 2012/19/UE du parlement européen relative aux appareils électriques et électroniques usagés (déchets d'équipements électriques et électroniques - DEEE). La directive ci-dessus détermine le cadre de retour et de recyclage des appareils usagés tels qu'appliqué au sein de l'UE.

INFORMATIONS RELATIVES À L'EMBALLAGE

Les matériaux d'emballage de cet appareil sont fabriqués à partir de matériaux recyclables, conformément à nos réglementations nationales en matière d'environnement. Ne jetez pas les matériaux d'emballage avec les ordures ménagères habituelles ou autres déchets. Transportez-les plutôt vers les points de collecte de matériaux d'emballage désignés par les autorités locales.