



AUTO TUMBLE DRYER

MODEL: DE 7 C WMIC

Serial N° :

Made in PRC - ELECTRO DEPOT  
1, route de Vendeville 59155 FACHES THUMESNIL - France

RATED CAPACITY 7.0kg

POWER SUPPLY 220-240V~ 50Hz

RATED POWER 2000W

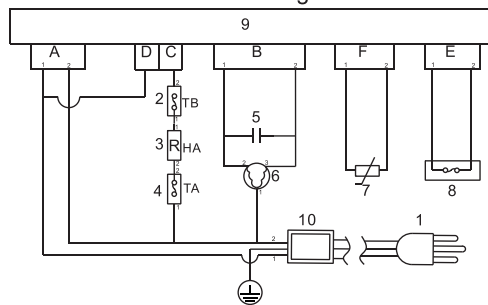
MOTOR INPUT POWER 200W

HEATING POWER 1800W

GRADE OF WATERPROOF IPX4



### Circuit Diagram



1. Plug
2. Self-resetting temperature controller
3. Heater
4. Non-self-resetting thermal cut-out
5. Capacitor
6. Motor
7. Temperature sensor
8. Door switch
9. PCB
10. Filter