

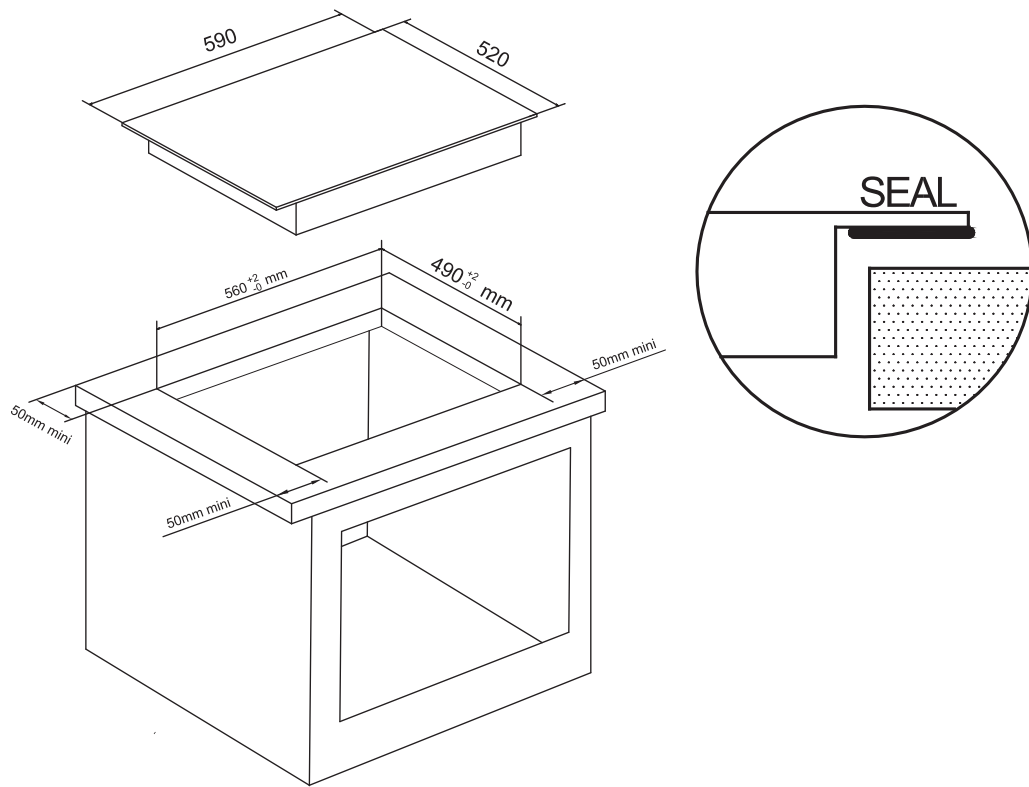
Model :

MC-IT6516B2-A

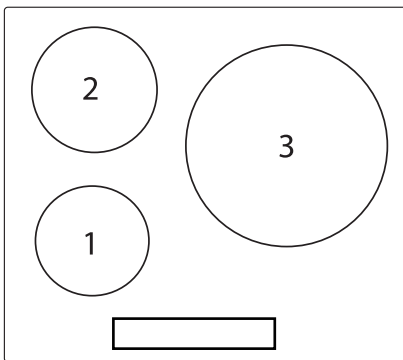
Service Manual

Induction hob

Technical data



Model : MC-IT6516B2-A



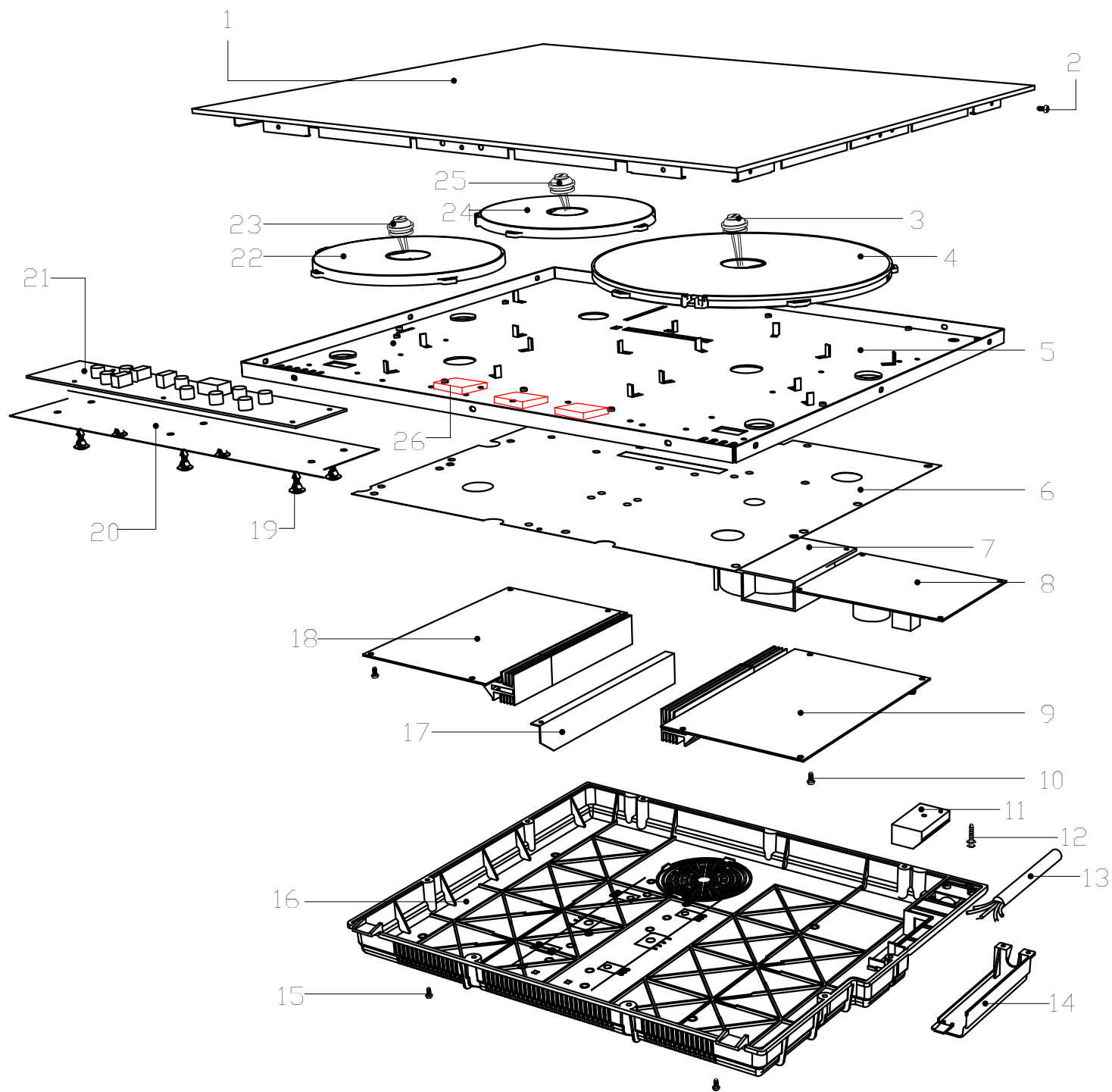
Heating zone	Size (mm)	Normal
1	∅ 160	1200W / 1500W
2	∅ 180	2300W / 2600W
3	∅ 280	2300W / 3000W

Voltage : 220-240V~

Frequency: 50/60Hz

Exploded view

Model : MC-IT6516B2-A



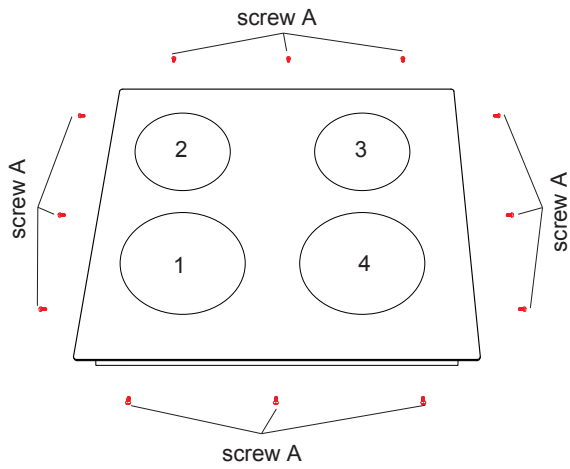
No.	CODE	Qty	COLOR	
40	303206800036	2	RED/450mm	
41	303206800041	2	RED/150mm	
42	303206800159	2	RED	
43	303206800157	2	BLUE	
44	303206800158	1	YELLOW/GREEN	

Spare part list

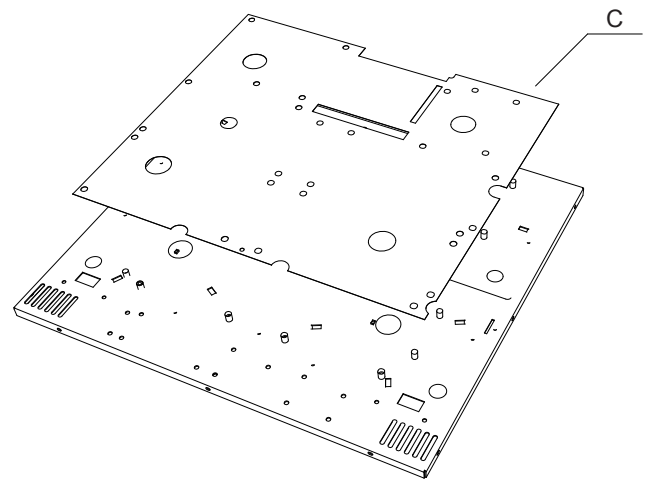
Model : MC-IT6516B2-A

MC-IT6516B2-A(TI60ST333CH)				
No.	Material Code	Material Name	QTY	Series No.
1	12566000A10739+ 12966000000039	glass assembly	1	
2	11303119000006	Screw	12	
3	17466000000191	the ceramic plate temperature sensor	1	
4	17466000000079	280 Coil groupware	1	
5	12266000000052	radiator board	1	
6	12766000000024	isinglass flake B	1	
7	17466000000046	Fan	1	
8	17166000000922	accessorial power	1	
9	17166000000242	Power board	1	
10	11300912000005	Screw+gasket	6	
11	17466000000050	junction port holder	1	
12	11300912000012	Screw+gasket	1	
13	17466000000223	Power Cord	1	
14	12166000000036	power cord case cover	1	
15	11303125000010	Screw	10	
16	12166000000046	Base	1	
17	12166000000055	windshield insulating flake	1	
18	17166000000241	Power board	1	
19	12166000000029	knighthed	3	
20	12766000000003	isinglass flake A	1	
21	17166000000039	Display board	1	
22	17466000000068	160 Coil groupware	1	
23	17466000000191	the ceramic plate temperature sensor	1	
24	17466000000118	180 Coil groupware	1	
25	17466000000187	the ceramic plate temperature sensor	1	
26	12466000000003	Supporting Foam	3	

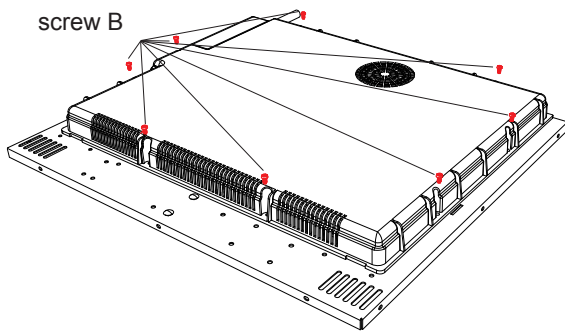
Technical data



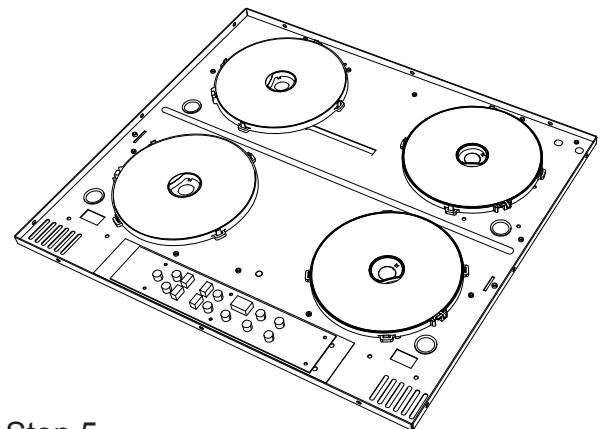
Step1:
remove the screw A around the base cover



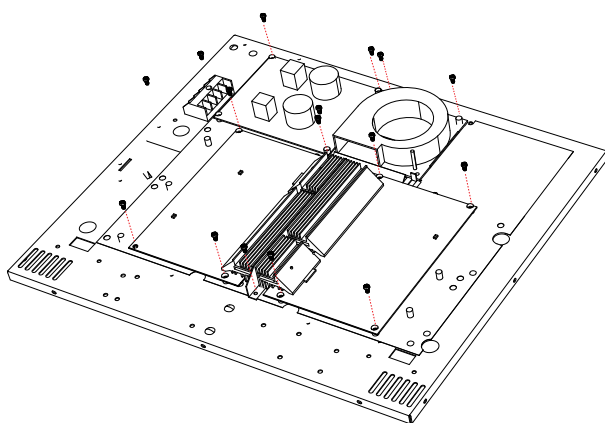
Step 4:
Remove C



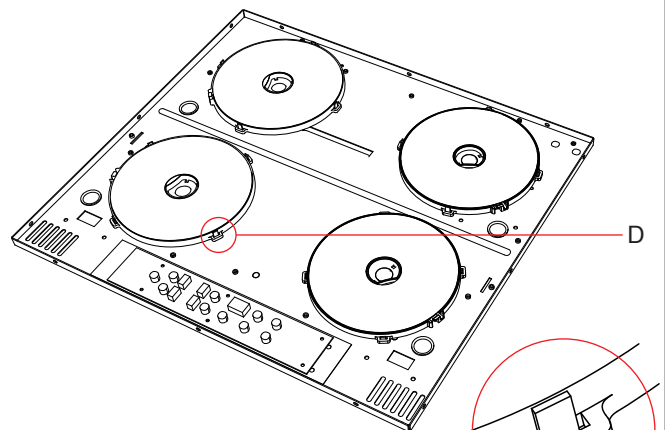
Step2:
remove the screw B



Step 5:
reserve the product

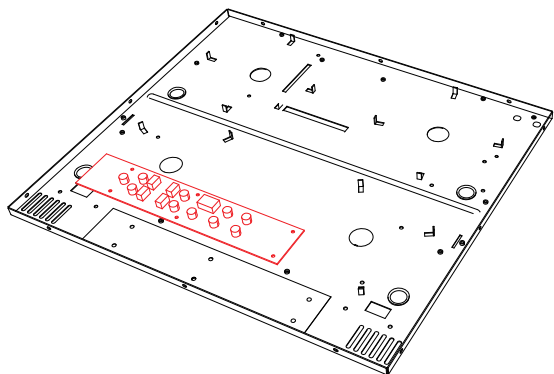


Step 3:
remove all the screws and wires

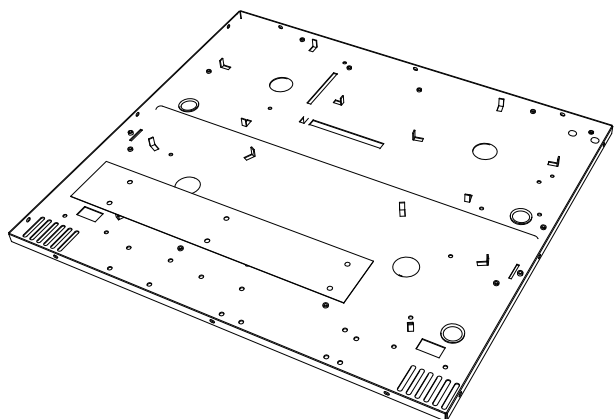


Step.6
to remove the induction coil, straighten
the buckle of D

Technical data



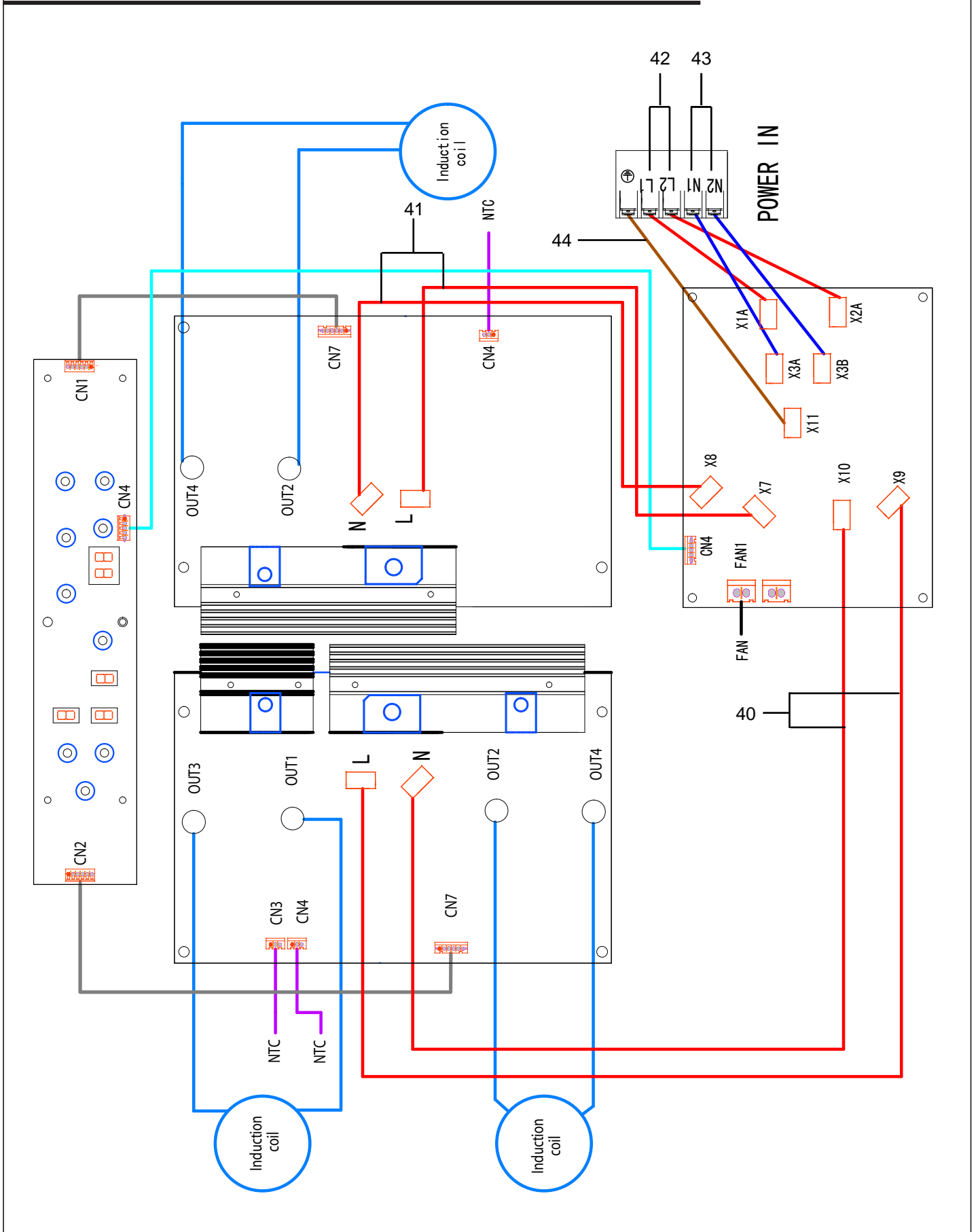
Step 7:
remove the display board



Step 8:
done

Technical data

Model : MC-IT6516B2-A



The induction hob is equipped with a self diagnostic function. With this test the technician is able to check the function of several components without disassembling or dismantling the hob from the working surface.

Troubleshooting

- 1) failure code occur during customer using.
- 2) Solution a is as following.
- 3) If the problem can't be settled by solution a, solution b can be used.

Failure code	Problem	Solution
E1/E2	Voltage irregularity.	Unit should operate normally after a few minutes and code will disappear from display.
E3/E4	High temperature of ceramic plate	Wait for temperature to return to normal. Push "ON/OFF" button to restart unit.
E5/E6	High temperature of hob	Wait for temperature to return to normal. Push "ON/OFF" button to restart unit.
		Check if the fan runs smoothly.Fan should be replaced by a new one if not work anymore.
F3/F4/F5/F6/F7/F8	Ceramic plate temperature sensor failure.	Check the connection or replace the ceramic plate temperature sensor.
F9/FA/FB/FC/FD/FE	IGBT temperature sensor failure.	Replace the power board.

Failure	Problem	Solution A	Solution B
The LED does not come on when unit is plugged in.	No power supplied.	Check to see if plug is secured tightly in outlet and that outlet is working.	
	The accessorial power board and the display board connected failure	Check the connection.	
	The accessorial power board is damaged.	Replace the accessorial power board	
	The display board is damaged.	Replace the display board.	
Some buttons can't work, or the LED display is not normal.	The display board is damaged.	Replace the display board.	
The Cooking Mode Indicator comes on, but heating does not start.	High temperature of the hob.	Ambient temperature may be too high.Air Intake or Air Vent may be blocked.	
	There is something wrong of the fan.	Check if the fan runs smoothly.Fan should be replaced by a new one if not work anymore.	
	The power board is damaged.	Replace the power board.	

Failure	Problem	Solution A	Solution B
Heating stops suddenly during operation and display “ <u>u</u> ”.	Pan Type is wrong.	Use the proper pot (refer to the instruction manual.)	Pan detection circuit is damaged, replace the power board.
	Pot diameter is too small		
	Cooker has overheated;	Unit is overheated.Wait	
		for temperature to return to normal. Push “ON/OFF” button to restart unit.	
Heating zones of the same side (Such as the first and the second zone) would display “ <u>u</u> ” .	The power board and the display board connected failure;	Check the connection.	
	The display board of communicate part is damaged.	Replace the display board.	
	The power board is damaged.	Replace the power board.	
Fan motor sounds abnormal.	The fan motor is damaged.	Replace the fan.	