

Model :

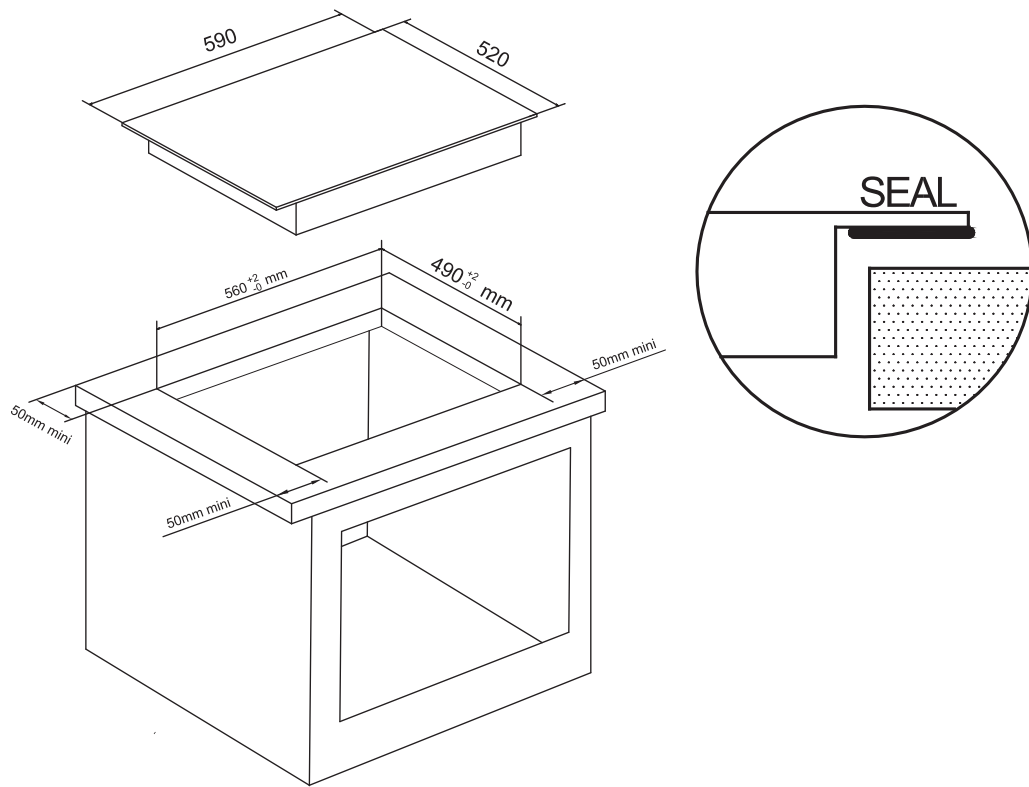
MC-IT6516B2-A

---

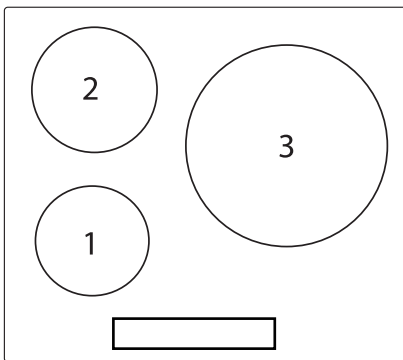
# Service Manual

## Induction hob

# Technical data



Model : MC-IT6516B2-A



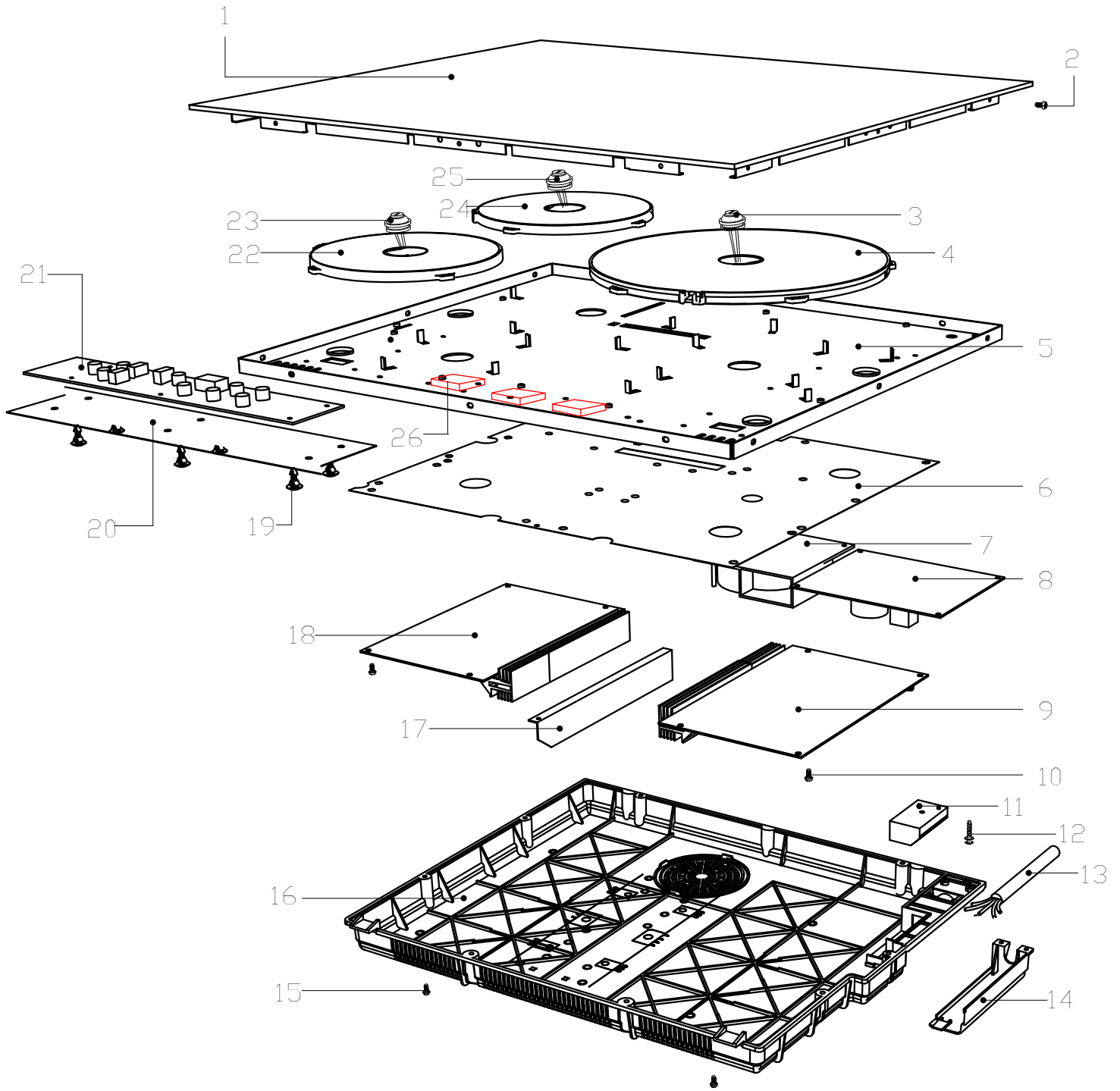
Heating zone	Size (mm)	Normal
1	∅ 160	1200W / 1500W
2	∅ 180	2300W / 2600W
3	∅ 280	2300W / 3000W

Voltage : 220-240V~

Frequency: 50/60Hz

Exploded view

Model : MC-IT6516B2-A



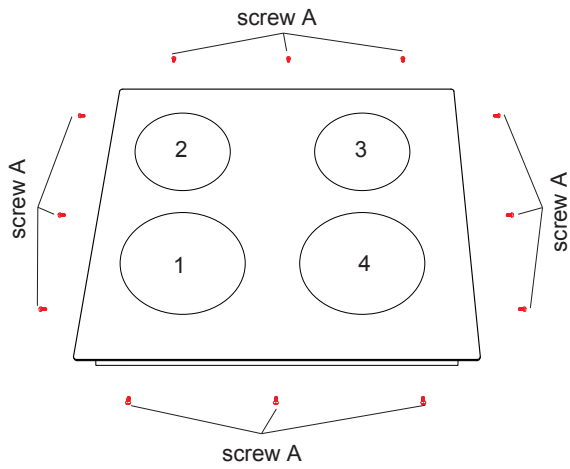
No.	CODE	Qty	COLOR	
40	303206800036	2	RED/450mm	
41	303206800041	2	RED/150mm	
42	303206800159	2	RED	
43	303206800157	2	BLUE	
44	303206800158	1	YELLOW/GREEN	

## Spare part list

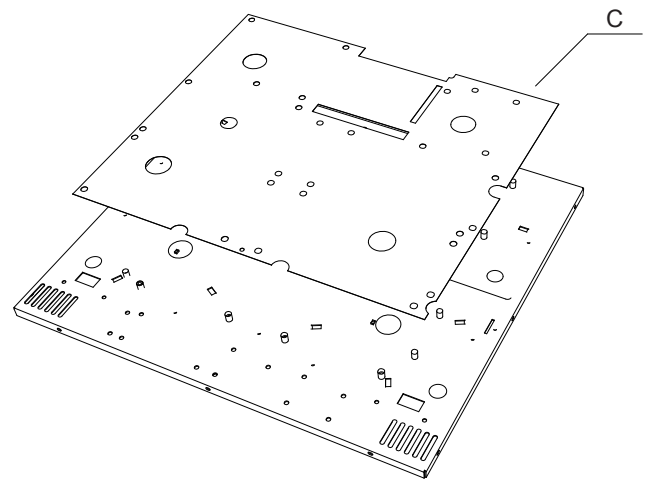
Model : MC-IT6516B2-A

MC-IT6516B2-A				
Position	Material Code	Material Name	QTY	Series No.
1	NEW+542300000060	glass assembly	1	
2	301500101374	Screw	12	
3	541600200011	the ceramic plate temperature sensor	1	
4	542200000015	280 Coil groupware	1	
5	541400300014	radiator board	1	
6	541700500006	isinglass flake B	1	
7	541600100007	Fan	1	
8	541500200005	accessorial power	1	
9	541500000029	Power board	1	
10	303207805058	Screw+gasket	8	
11	541810000002	junction port holder	1	
12	301500101200	Screw+gasket	1	
13	541800000017	Power Cord	1	
14	541300600011	power cord case cover	1	
15	301500100954	Screw	10	
16	541300100005	Base	1	
17	303207300215	windshield insulating flake	1	
18	541500000033	Power board	1	
19	303207300211	knighthead	3	
20	541700300019	isinglass flake A	1	
21	541500100039	Display board	1	
22	542200000013	160 Coil groupware	1	
23	541600200011	the ceramic plate temperature sensor	1	
24	542200000009	180 Coil groupware	1	
25	541600200010	the ceramic plate temperature sensor	1	
26	541700700002	Supporting Foam	3	

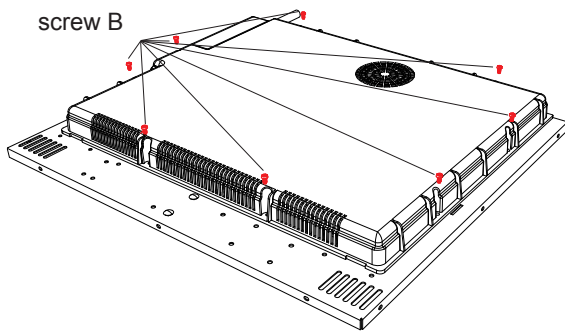
# Technical data



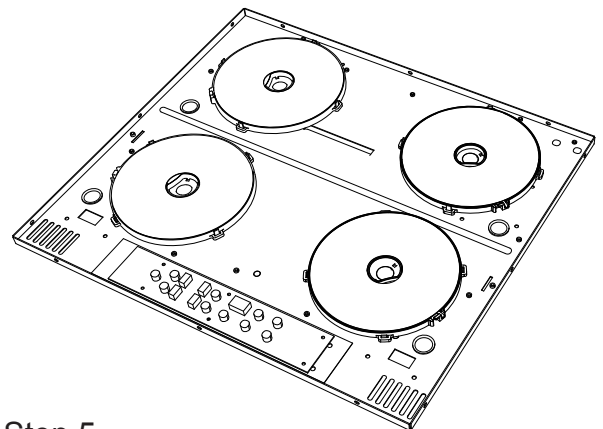
Step1:  
remove the screw A around the base cover



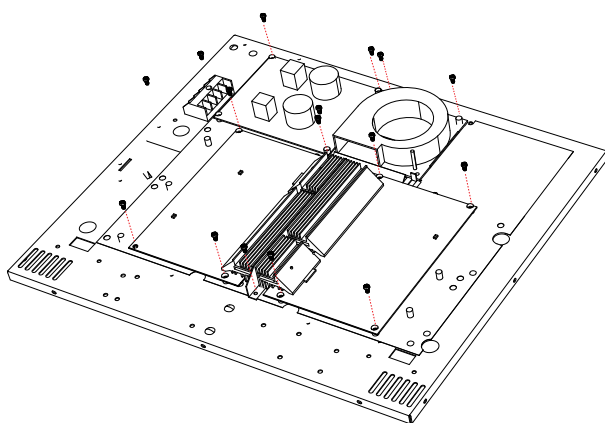
Step 4:  
Remove C



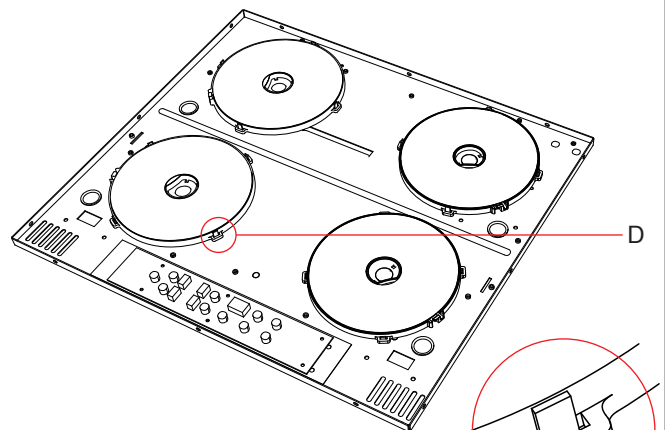
Step2:  
remove the screw B



Step 5:  
reserve the product

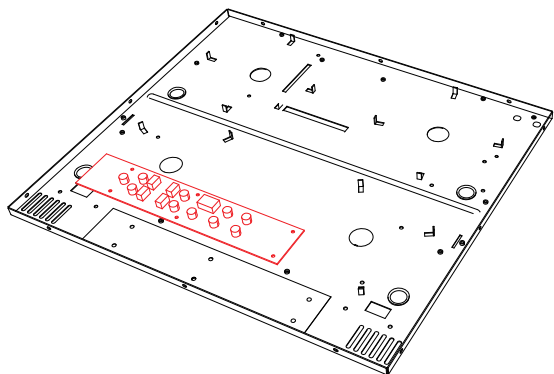


Step 3:  
remove all the screws and wires

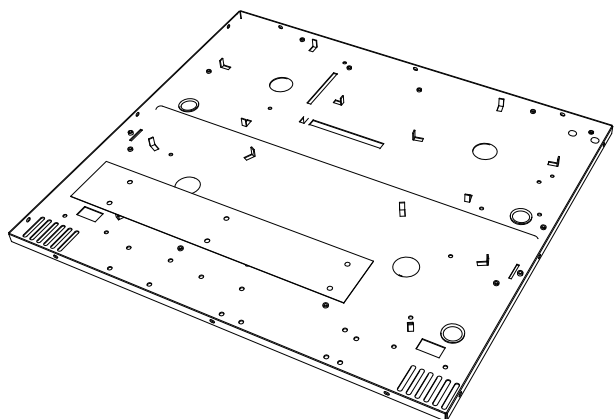


Step.6  
to remove the induction coil, straighten  
the buckle of D

## Technical data



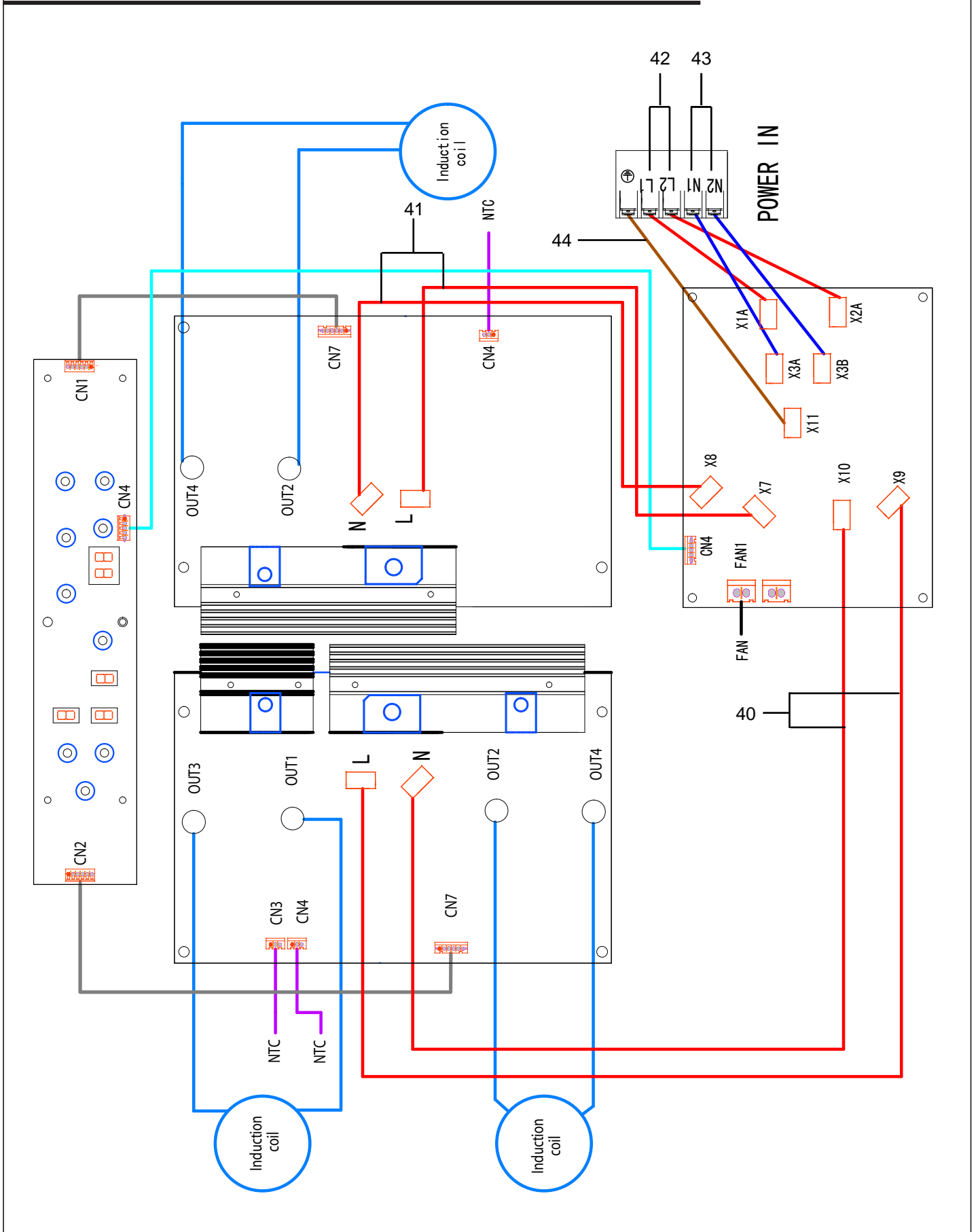
Step 7:  
remove the display board



Step 8:  
done

Technical data

Model : MC-IT6516B2-A



The induction hob is equipped with a self diagnostic function. With this test the technician is able to check the function of several components without disassembling or dismantling the hob from the working surface.

#### Troubleshooting

- 1) failure code occur during customer using.
- 2) Solution a is as following.
- 3) If the problem can't be settled by solution a, solution b can be used.

Failure code	Problem	Solution
E1/E2	Voltage irregularity.	Unit should operate normally after a few minutes and code will disappear from display.
E3/E4	High temperature of ceramic plate	Wait for temperature to return to normal. Push "ON/OFF" button to restart unit.
E5/E6	High temperature of hob	Wait for temperature to return to normal. Push "ON/OFF" button to restart unit.
		Check if the fan runs smoothly.Fan should be replaced by a new one if not work anymore.
F3/F4/F5/F6/F7/F8	Ceramic plate temperature sensor failure.	Check the connection or replace the ceramic plate temperature sensor.
F9/FA/FB/FC/FD/FE	IGBT temperature sensor failure.	Replace the power board.

Failure	Problem	Solution A	Solution B
The LED does not come on when unit is plugged in.	No power supplied.	Check to see if plug is secured tightly in outlet and that outlet is working.	
	The accessorial power board and the display board connected failure	Check the connection.	
	The accessorial power board is damaged.	Replace the accessorial power board	
	The display board is damaged.	Replace the display board.	
Some buttons can't work, or the LED display is not normal.	The display board is damaged.	Replace the display board.	
The Cooking Mode Indicator comes on, but heating does not start.	High temperature of the hob.	Ambient temperature may be too high.Air Intake or Air Vent may be blocked.	
	There is something wrong of the fan.	Check if the fan runs smoothly.Fan should be replaced by a new one if not work anymore.	
	The power board is damaged.	Replace the power board.	



Failure	Problem	Solution A	Solution B
Heating stops suddenly during operation and display “ <u>u</u> ”.	Pan Type is wrong.	Use the proper pot (refer to the instruction manual.)	Pan detection circuit is damaged, replace the power board.
	Pot diameter is too small		
	Cooker has overheated;	Unit is overheated.Wait	
		for temperature to return to normal. Push “ON/OFF” button to restart unit.	
Heating zones of the same side ( Such as the first and the second zone ) would display “ <u>u</u> ” .	The power board and the display board connected failure;	Check the connection.	
	The display board of communicate part is damaged.	Replace the display board.	
	The power board is damaged.	Replace the power board.	
Fan motor sounds abnormal.	The fan motor is damaged.	Replace the fan.	