

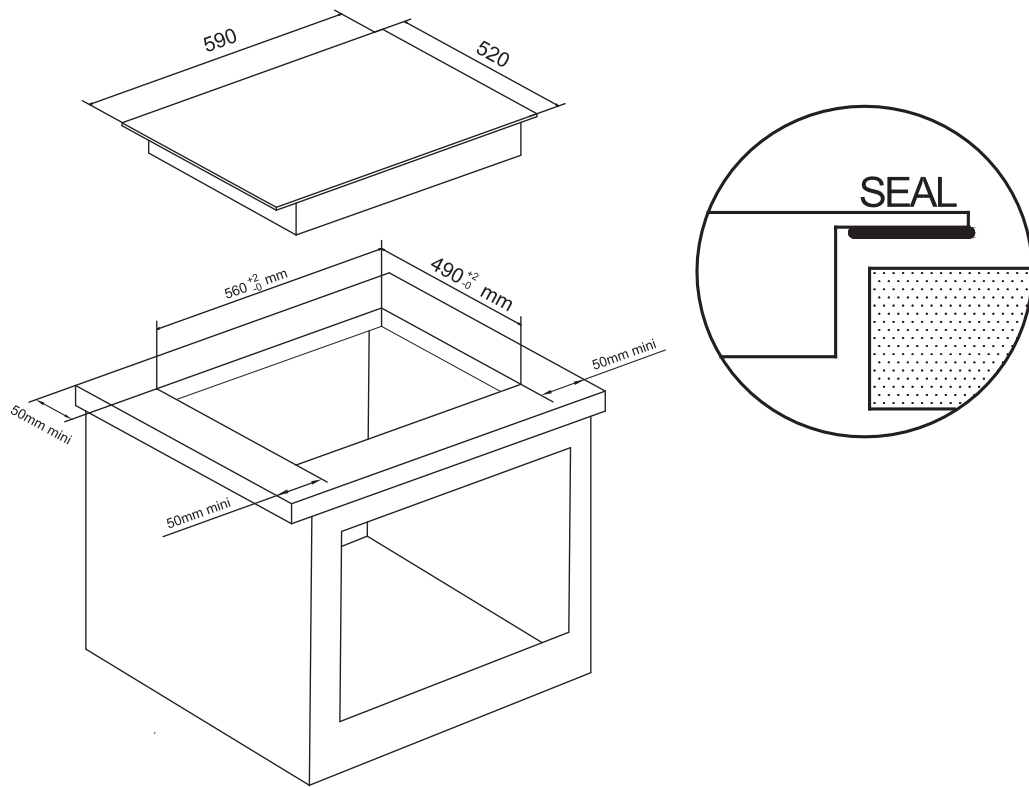
Model :

MC-IF7127B2C-A

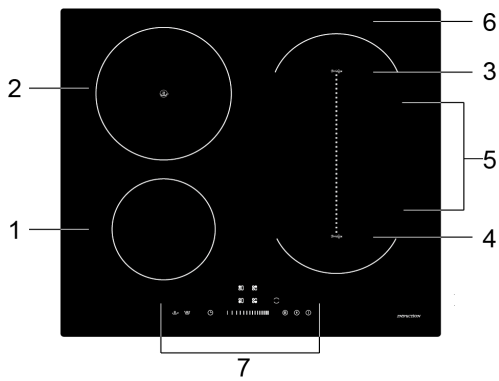
Service Manual

Induction hob

Technical data



Model : MC-IF7127B2C-A



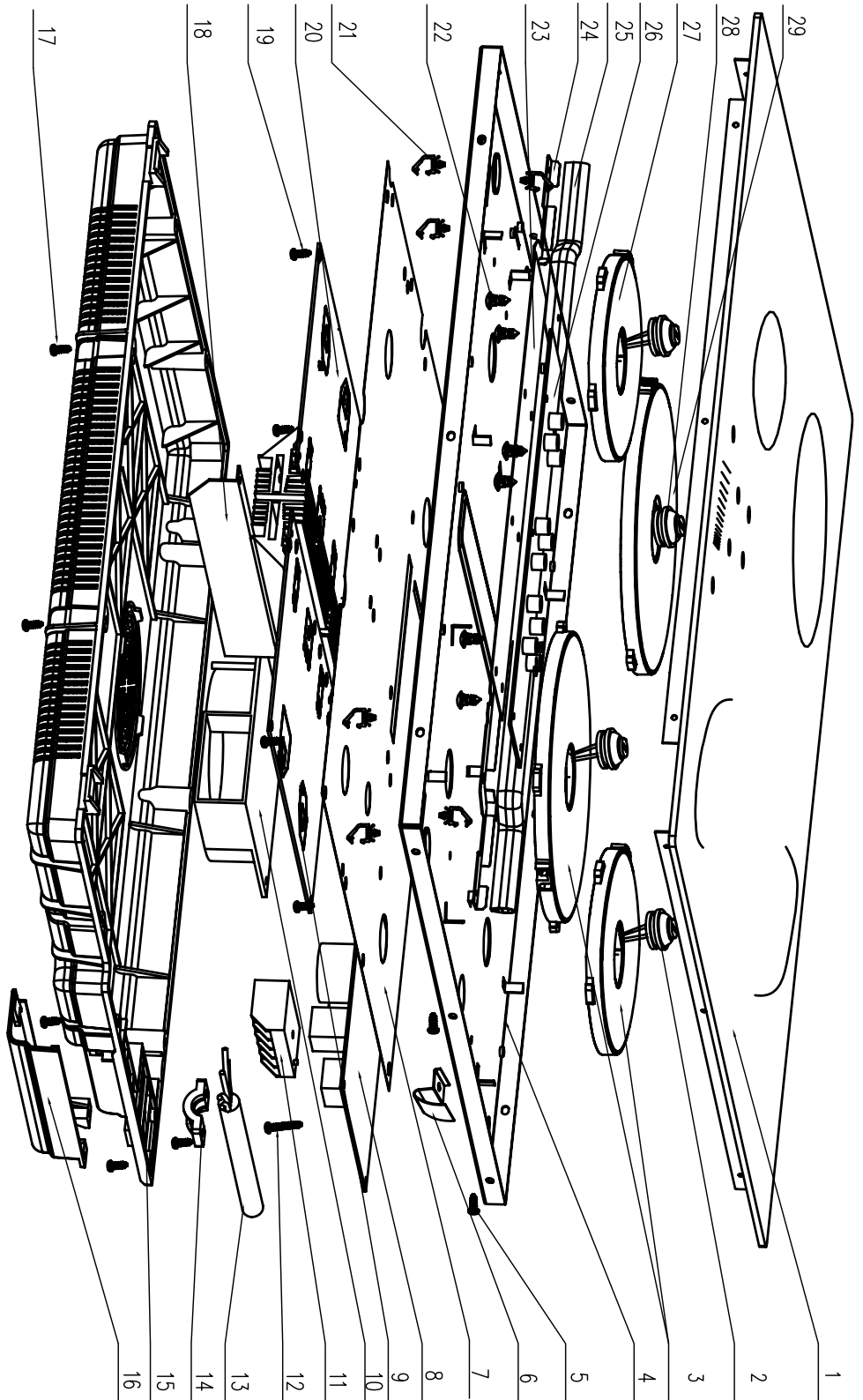
Zone	Normal
1	max. 1200 / 1500 W
2	max. 2300 / 2600 W
3	max. 1500 / 1800 W
4	max. 1500 / 1800 W
5	free induction zone. 3000/3600 W
7	Glass plate
8	Control panel

Voltage : 220-240V~

Frequency : 50/60Hz

Exploded view

Model : MC-IF7127B2C-A



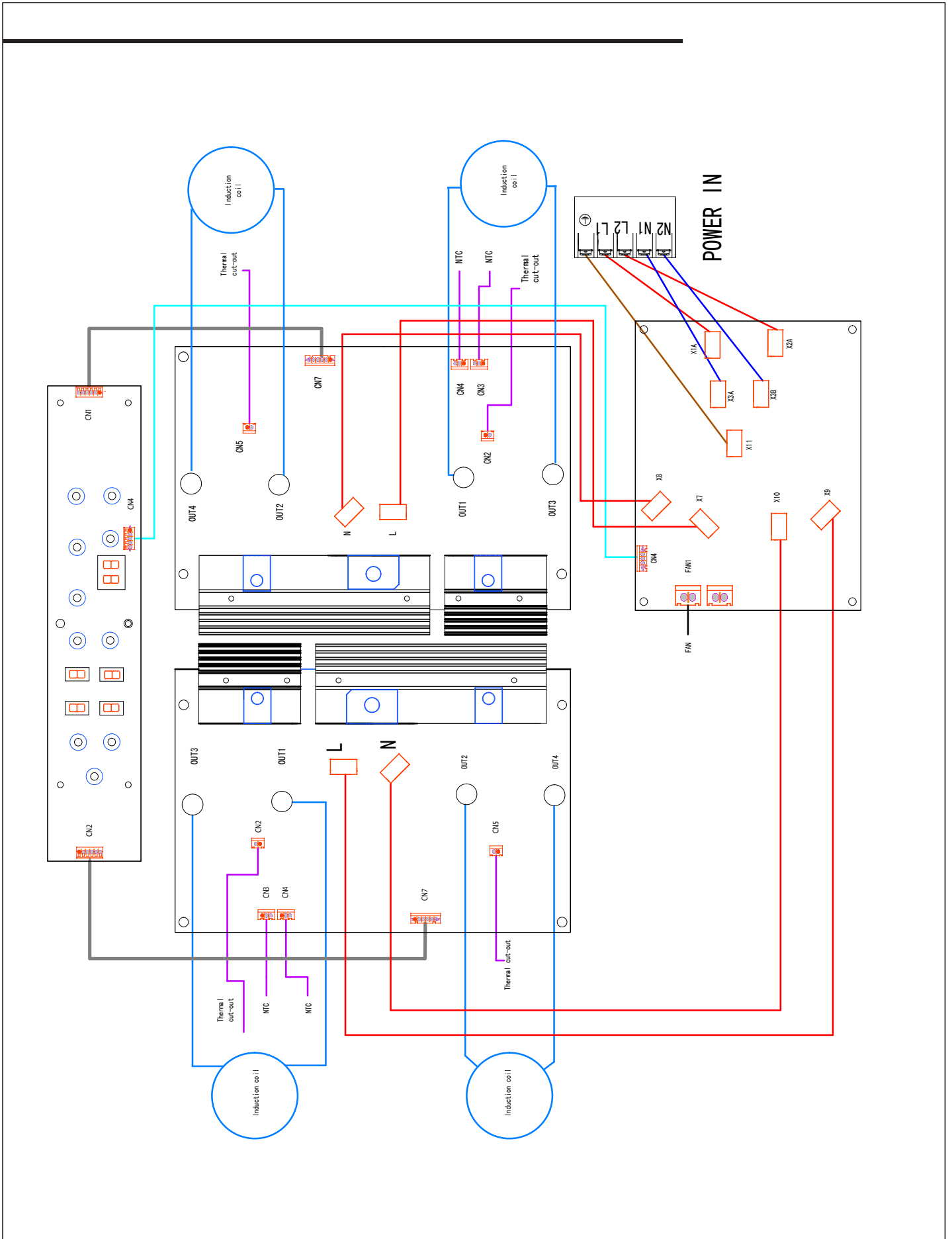
CODE	QTY	COLOR	
303206800036	2	RED/450mm	
303206800041	2	RED/150mm	
303206800158	2	RED	
303206800157	2	BLUE	
303206800158	1	YELLOW/828	

Spare part list

Model : MC-IF7127B2C-A

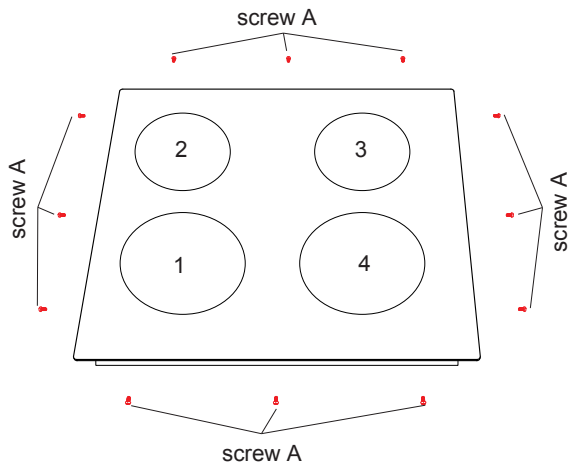
MC-IF7127B2C-A (TI 60 INF 444)				
No.	Parts code	Parts names	QTY	Series No.
1	12566000A10099	glass assembly	1	
	12266000000004		2	
	12266000000011		2	
	12666000000008		2	
	12666000000009		2	
2	17466000001034	the ceramic plate temperature sensor	3	
3	1746600000118	180 Coil groupware	2	
4	12266000000049	radiator board	1	
5	11303119000006	Screw	12	
6	12966000000014	Bracket	1	
7	12766000000012	isinglass flake B	1	
8	17166000000922	accessorial power	1	
9	17166000000258	Power board	1	
10	17466000000046	Fan	1	
11	17466000000050	junction port holder	1	
12	11300912000012	Screw+gasket	1	
15	12166000000046	Base	1	
16	12166000000036	power cord case cover	1	
17	11303125000010	Screw	10	
18	12166000000055	windshield insulating flake	1	
19	11303125000047	Screw	8	
20	17166000000247	Power board	1	
21	12166000000027	line clamp	6	
22	12166000000029	knighthead	4	
23	12766000000025	isinglass flake A	1	
24	12266000000012	heat insulate bracket	1	
25	12666100000014	silica gel strip	1	
26	17166000000128	Display board	1	
27	17466000000068	160 Coil groupware	1	
28	17466000001033	the ceramic plate temperature sensor	1	
29	17466000000091	210 Coil groupware	1	

Technical data

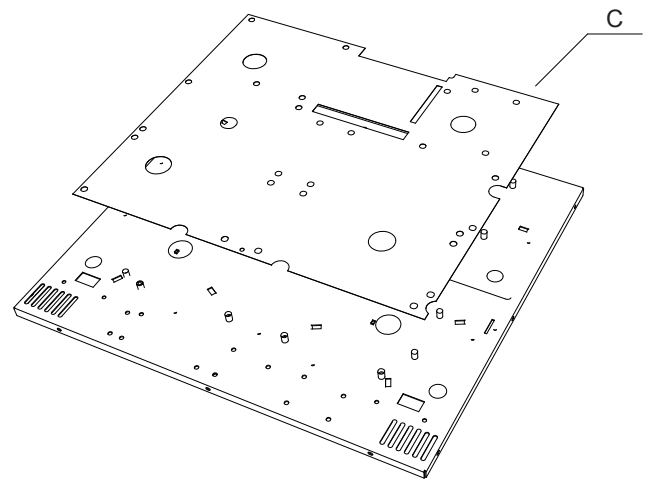


Technical data

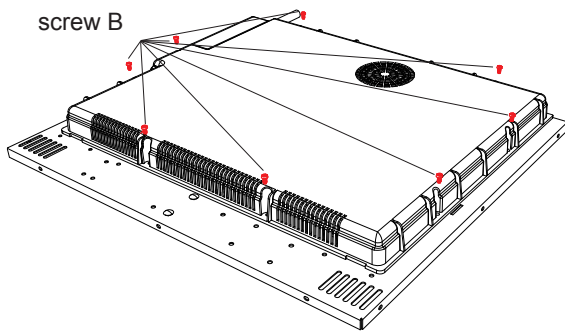
Model : MC-IF7127B2C-A



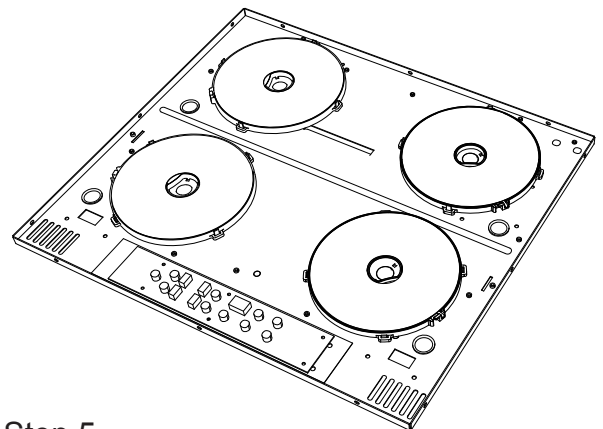
Step1:
remove the screw A around the base cover



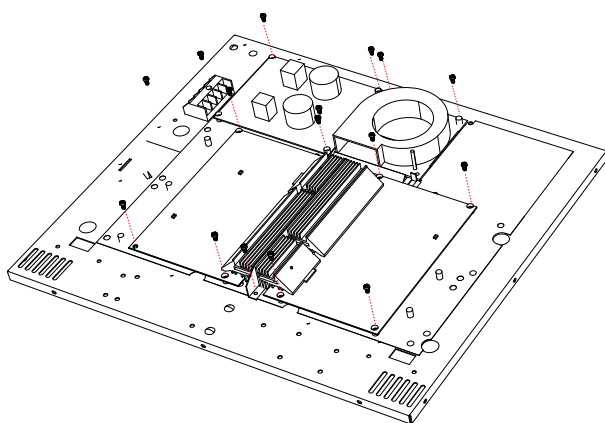
Step 4:
Remove C



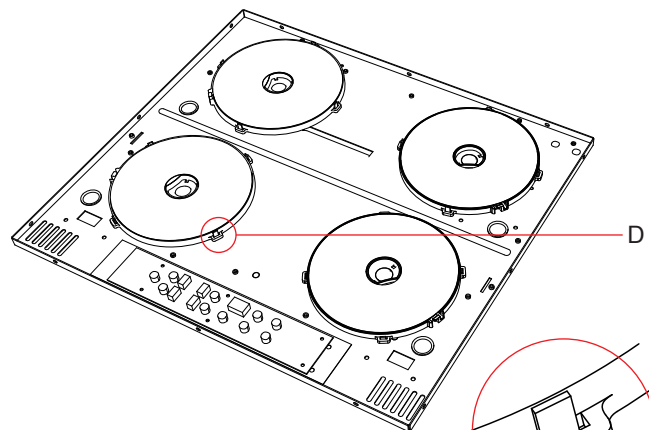
Step2:
remove the screw B



Step 5:
reserve the product

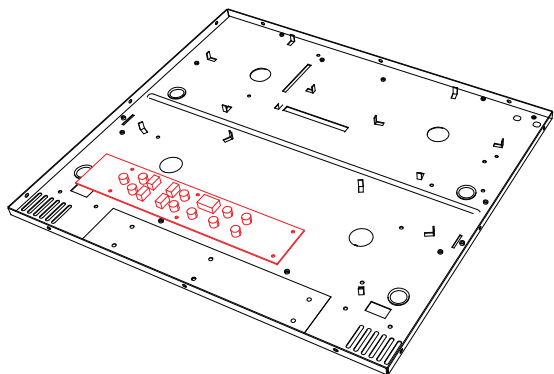


Step 3:
remove all the screws and wires

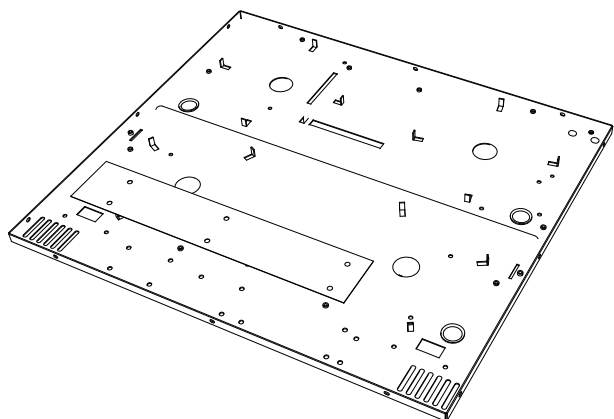


Step.6
to remove the induction coil, straighten
the buckle of D

Technical data



Step 7:
remove the display board



Step 8:
done

The induction hob is equipped with a self diagnostic function. With this test the technician is able to check the function of several components without disassembling or dismantling the hob from the working surface.

Troubleshooting

- 1) failure code occur during customer using.
- 2) Solution a is as following.
- 3) If the problem can't be settled by solution a, solution b can be used.

Problem	Possible causes	What to do
F3-F8	Temperature sensor failure	Please contact the supplier.
F9-FE	Temperature sensor of the IGBT failure.	Please contact the supplier.
E1/E2	Abnormal supply voltage	Please inspect whether power supply is normal. Power on after the power supply is normal.
E3/E4	Abnormal temperature	Please inspect the pot.
E5/E6	Bad induction hob heat radiation	Please restart after the induction hob cools down.

Failure	Problem	Solution A	Solution B
The LED does not come on when unit is plugged in.	No power supplied.	Check to see if plug is secured tightly in outlet and that outlet is working.	
	The accessorial power board and the display board connected failure	Check the connection.	
	The accessorial power board is damaged.	Replace the accessorial power board	
	The display board is damaged.	Replace the display board.	
Some buttons can't work, or the LED display is not normal.	The display board is damaged.	Replace the display board.	
The Cooking Mode Indicator comes on, but heating does not start.	High temperature of the hob.	Ambient temperature may be too high. Air Intake or Air Vent may be blocked.	
	There is something wrong of the fan.	Check if the fan runs smoothly. Fan should be replaced by a new one if not work anymore.	
	The power board is damaged.	Replace the power board.	

Failure	Problem	Solution A	Solution B
Heating stops suddenly during operation and display “ <u>u</u> ”.	Pan Type is wrong.	Use the proper pot (refer to the instruction manual.)	Pan detection circuit is damaged, replace the power board.
	Pot diameter is too small		
	Cooker has overheated;	Unit is overheated.Wait	
		for temperature to return to normal. Push “ON/OFF” button to restart unit.	
Heating zones of the same side (Such as the first and the second zone) would display “ <u>u</u> ” .	The power board and the display board connected failure;	Check the connection.	
	The display board of communicate part is damaged.	Replace the display board.	
	The power board is damaged.	Replace the power board.	
Fan motor sounds abnormal.	The fan motor is damaged.	Replace the fan.	