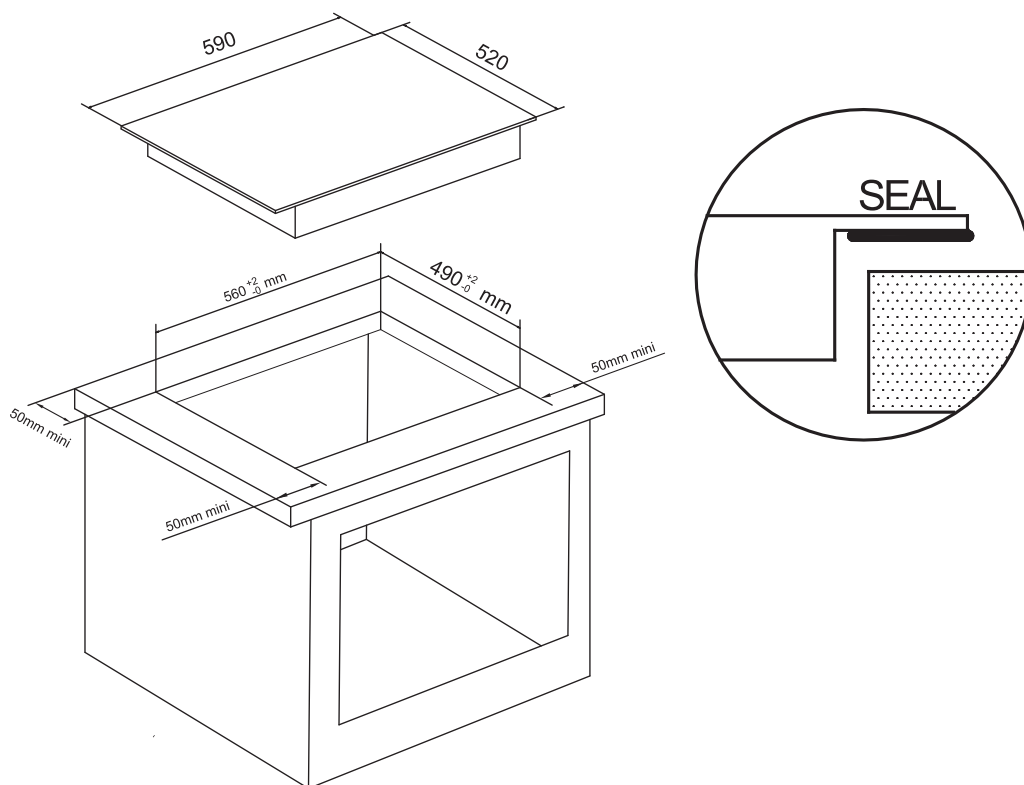

Service Manual

Ceramic Hob (G1.6)

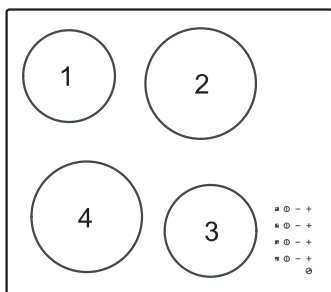
Model :

PVS7004N

Technical data



PVS7004N



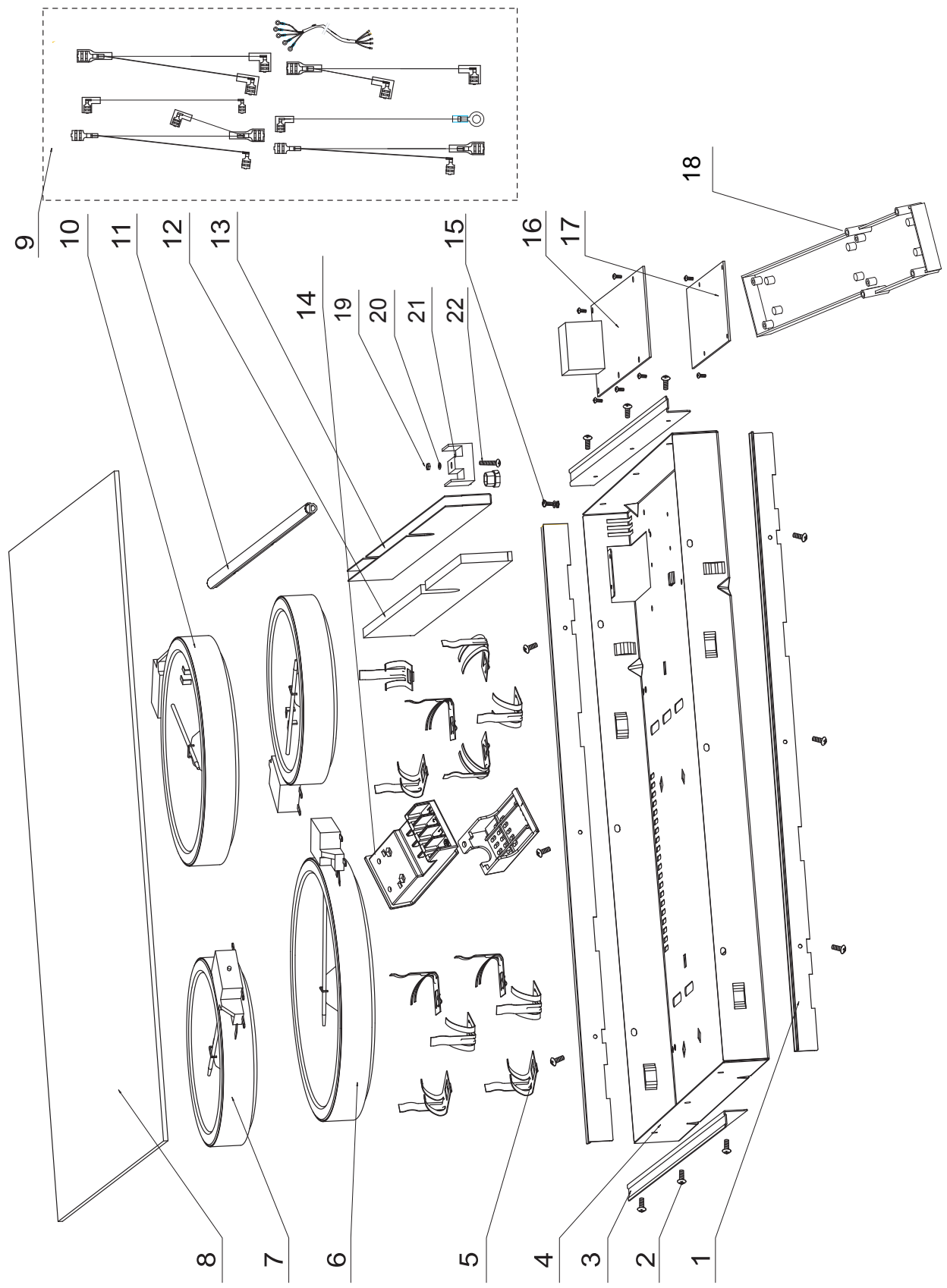
| | | | | |
|--------------|--------|--------|--------|--------|
| Heating zone | 1 | 2 | 3 | 4 |
| Size (mm) | ∅ 165 | ∅ 200 | ∅ 165 | ∅ 200 |
| Power | 1200 W | 1800 W | 1200 W | 1800 W |

Voltage : 220-240V~

Frequency: 50/60Hz

Exploded view

PVS7004N

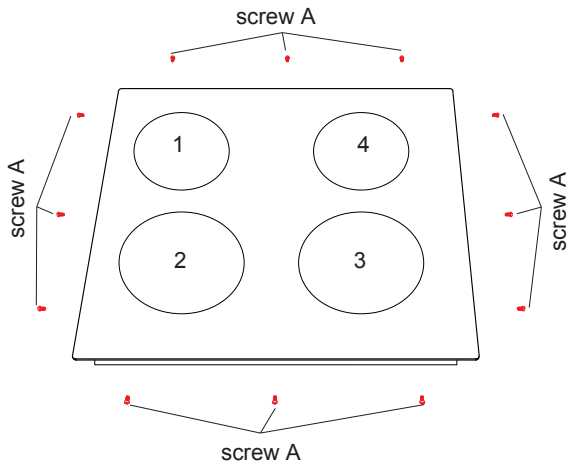


Spare part list

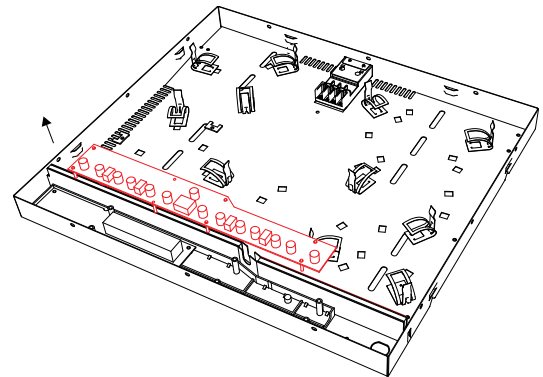
PVS7004N

| NO. | Code | Description | | |
|--------------|--------------------------------|--|---|------------------------------|
| 8 | 303203300724 | ceramic plate | | |
| | 542300100064 | bracket assembly | 1 | fore-and-aft cover bracket |
| | | | 3 | right-and-left cover bracket |
| | | | | Sponge sealed strip |
| | | Sponge sealed strip | | |
| 2 | 301500100955 | cross head tapping screw | | |
| 4 | 541400000008 | base cover | | |
| 5 | 303207800100 | spring bracket | | |
| 6 | 303203501014 | single -loop hob (200mm) | | |
| 7 | 303203501013 | single loop hob (165mm) | | |
| 9 | 303206800015 | earth line assembly | | |
| | 303206800175 | live wire I | | |
| | 303206800176 | live wireII | | |
| | 303206800173 | neutral wire I | | |
| | 303206800174 | neutral wireII | | |
| | 303206800171 | control wire I | | |
| | 303206800172 | control wire II | | |
| | 303206800170 | control wire III | | |
| | 303206800170 | control wire V | | |
| 303206800059 | inner connection wire fastener | | | |
| 10 | 303203501014 | single loop hob (200mm) | | |
| 11 | 303207900037 | silicone sealed strip | | |
| 12 | 303202804183 | adiabatic cotton | | |
| 13 | 303207400068 | adiabatic bracket | | |
| 14 | 303207300167 | junction box | | |
| 15 | 301500101202 | cross head tapping screw、 gear gasket and nut assembly | | |
| 16 | 303203101404 | main control board assembly | | |
| 17 | 303203101406 | display board assembly | | |
| 18 | 303207300292 | Inverter Base | | |
| 19 | 303207805016 | I type hexangular screw | | |
| 20 | 301500300088 | even mat slice | | |
| 21 | 303207801017 | junction port holder | | |
| 22 | 301500101200 | screw | | |

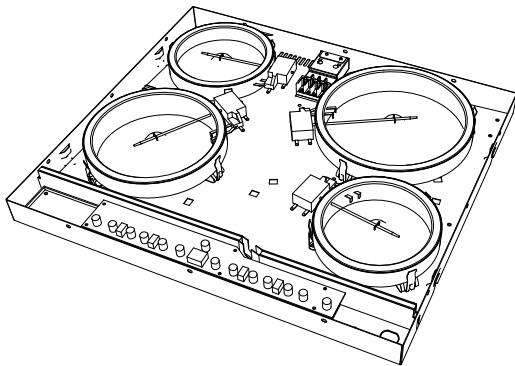
Technical data



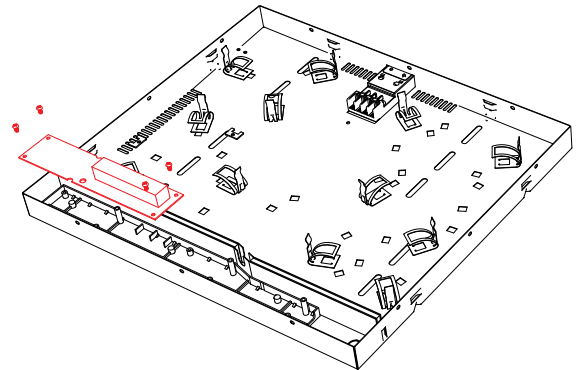
Step1 :
remove the screw A around the base cover



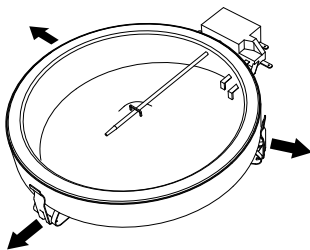
Step 4:
remove the display board



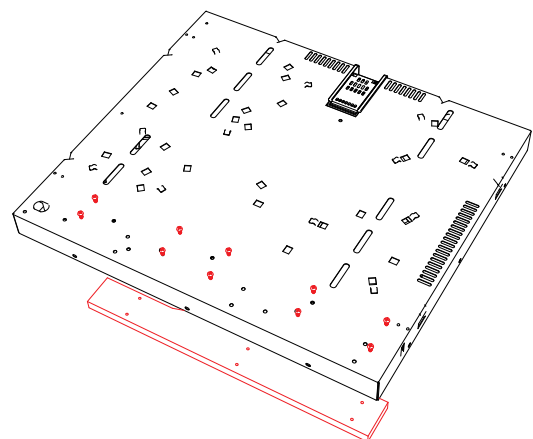
Step2:
remove the wires



Step 5:
remove the power board

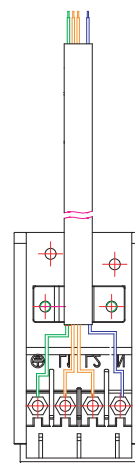
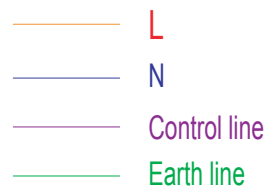
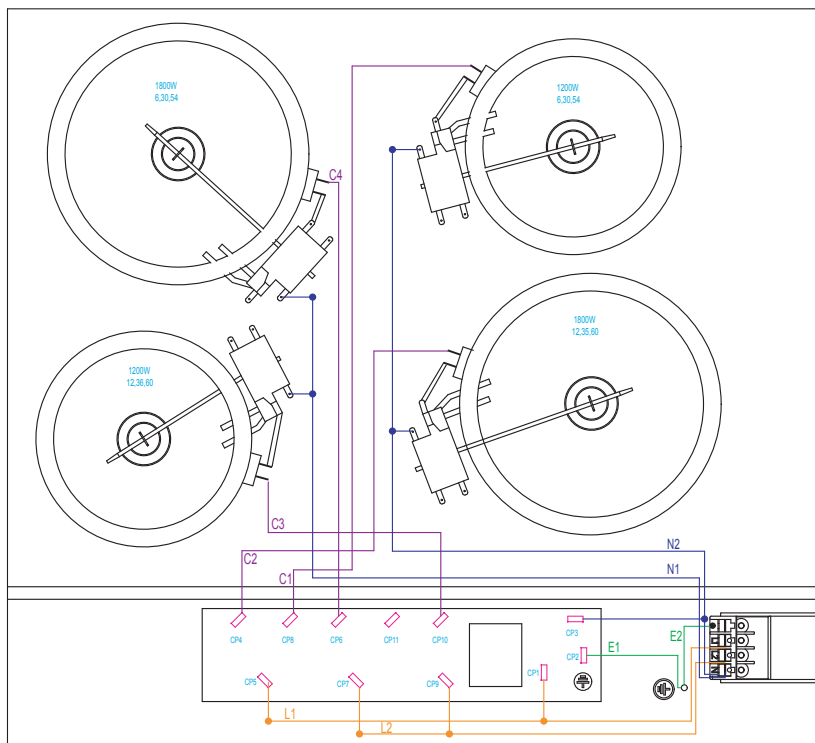


Step 3:
open the bracket and remove the heating
element



Step 6:
to remove the display board fixing box,
reverse the base and remove the screws

Technical data



Hints and Tips

| Failure | Problem | Solution |
|--|---------------------------------|------------------------------------|
| After power is supplied, the buttons, the LED and the buzzer can't work. | Connection failure | Check the connection. |
| | The power board is damaged. | Replace the power board. |
| | The display board is damaged. | Replace the display board. |
| After power is supplied, some of the buttons can't work, but the LED and the buzzer works normally. | The display board is damaged. | Replace the display board. |
| After power is supplied, the buttons, LED, and buzzer in the display board work normally. But the stoves don't work. | Connection failure | Check the connection. |
| | The power board is damaged. | Replace the power board. |
| | All stoves are damaged. | Replace the stoves. |
| Some staves don't work, but the others work normally. | Connection failure | Check the connection. |
| | The power board is damaged. | Replace the power board. |
| | Stoves are damaged. | Replace the stoves. |
| | High temperature of the stoves. | Restart when the staves cool down. |