

**LV10C49M21W**

# INSTRUCTION MANUAL

## LV10C49M21W

Thank you to have chosen the FAR quality. This product has been created by our professional team and according to the European regulation. For a better use of your new device, we recommend you to read carefully this user manual and keep it for record.

### TABLE OF CONTENTS

SAFETY INFORMATION.....	GB-2
PRODUCT OVERVIEW.....	GB-7
TECHNICAL INFORMATION.....	GB-9
QUICK USER GUIDE.....	GB-15
INSTALLATION INSTRUCTION .....	GB-17
USING YOUR DISHWASHER.....	GB-26
MAINTENANCE AND CLEANING .....	GB-49
CARING FORTHE DISHWASHER.....	GB-55
LOADING THE BASKETS ACCORDING TO EN60436: .....	GB-58
PROGRAMMING THE DISHWASHER.....	GB-61
ERROR CODES .....	GB-65
TROUBLESHOOTING TIPS.....	GB-66
DISPOSAL OF OLD ELECTRICAL APPLIANCES.....	GB-71

## SAFETY INFORMATION



### WARNING!

When using your dishwasher, follow the precautions listed below:

- Installation and repair can only be carried out by a qualified technician
- This appliance is intended to be used in household and similar applications such as:
  - staff kitchen areas in shops, offices and other working environments;
  - farm houses;
  - by clients in hotels, motels and other residential type environments;
  - bed and breakfast type environments.
- This appliance can be used by children aged from 8 years and above and persons with reduced physical, sensory or mental capabilities or lack of experience and knowledge if they have been given supervision or instruction concerning use of the appliance in a safe way and understand the hazards involved.

- Children shall not play with the appliance. Cleaning and user maintenance shall not be done by children without supervision.
- Packaging material could be dangerous for children!
- This appliance is for indoor household use only.
- To protect against the risk of electrical shock, do not immerse the unit, cord or plug in water or other liquid.
- Please unplug before cleaning and performing maintenance on the appliance.
- Use a soft cloth moistened with mild soap, and then use a dry cloth to wipe it again.

#### NOTE:

- Reviewing the section on troubleshooting Tips will help you solve some common problems by yourself.
- If you cannot solve the problems by yourself, please ask for help from a professional technician.

- The manufacturer, following a policy of constant development and updating of the product, may make modifications without giving prior notice.



### **Earthing Instructions**

- This appliance must be earthed. In the event of a malfunction or breakdown, earthing will reduce the risk of an electric shock by providing a path of least resistance of electric current. This appliance is equipped with an earthing conductor plug.
- The plug must be plugged into an appropriate outlet that is installed and earthed in accordance with all local codes and ordinances.
- Improper connection of the equipment-earthing conductor can result in the risk of an electric shock.
- Check with a qualified electrician or service representative if you are in doubt whether the appliance is properly grounded.

- Do not modify the plug provided with the appliance; If it does not fit the outlet.
- Have a proper outlet installed by a qualified electrician.
- Open the door very carefully if the dishwasher is operating, there is a risk of water squirting out.
- Do not place any heavy objects on or stand on the door when it is open. The appliance could tip forward.
- When loading items to be washed:
  1. Locate sharp items so that they are not likely to damage the door seal;
  2. Warning: Knives and other utensils with sharp points must be loaded in the basket with their points facing down or placed in a horizontal position.
- Some dishwasher detergents are strongly alkaline. They can be extremely dangerous if swallowed. Avoid contact with the skin and eyes and keep children away from the dishwasher when the door is open.
- Check that the detergent powder is empty after completion of the wash cycle.

- Do not wash plastic items unless they are marked “dishwasher safe” or the equivalent.
- For unmarked plastic items not so marked, check the manufacturer’s recommendations.
- Use only detergent and rinse agents recommended for use in an automatic dishwasher.
- Never use soap, laundry detergent, or hand washing detergent in your dishwasher.
- The door should not be left open, since this could increase the risk of tilting.
- If the supply cord is damaged, it must be replaced by the manufacturer or its service agent or a similarly qualified person in order to avoid a hazard.
- During installation, the power supply must not be excessively or dangerously bent or flattened.
- Do not tamper with controls.
- The appliance needs to be connected to the main water valve using new hose sets. Old sets should not be reused.

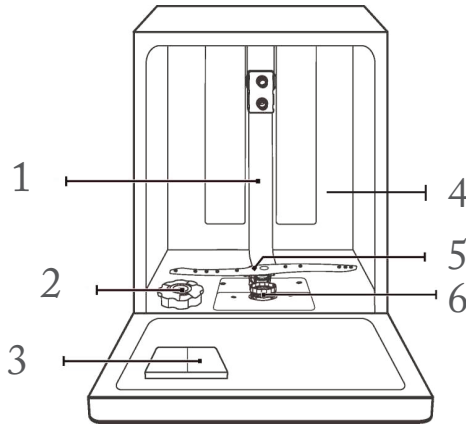
- To save energy, in standby mode, the appliance will switch off automatically while there is no any operation in 30 minutes.
- The maximum number of place settings to be washed is 9.
- The maximum permissible inlet water pressure is 1MPa.
- The minimum permissible inlet water pressure is 0.04MPa.

## **PRODUCT OVERVIEW**

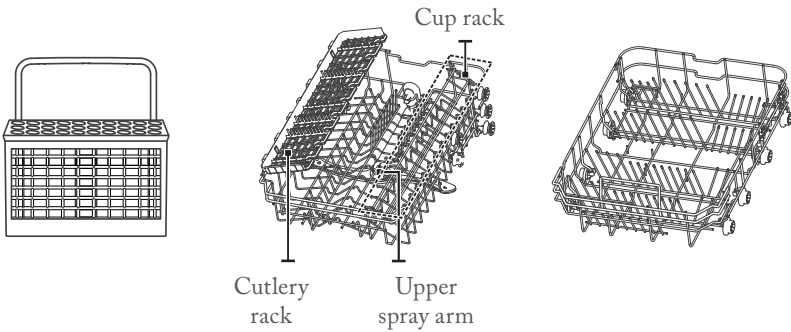
### **IMPORTANT!**

To get the best performance from your dishwasher, read all operating instructions before using it for the first time.



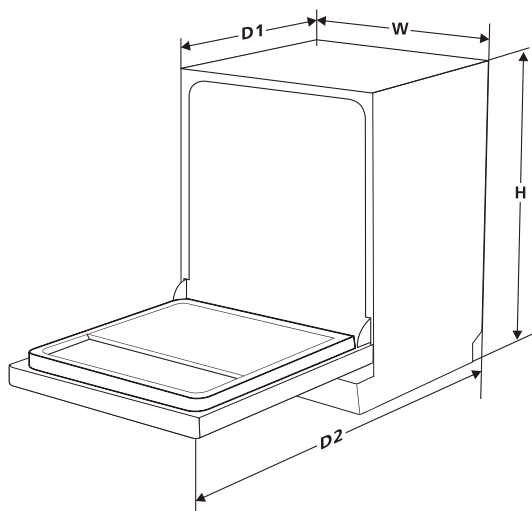


- 1. Inner pipe
- 2. Salt container
- 3. Dispenser
- 4. Upper Spray arm
- 5. Lower spray arm
- 6. Filter assembly



Cutlery basket    Upper basket    Lower basket

**NOTE:** Pictures are only for reference, different models may be different. Please prevail in kind.

**TECHNICAL INFORMATION**

Height (H)	845mm
Width (W)	448mm
Depth (D1)	600mm (with the door closed)
Depth (D2)	1175mm (with the door opened 90° )

## Product fiche

Sheet of household dishwasher according to EU Directive 1016/2010 & 1059/2010:

Manufacturer	FAR
Type/Description	LV10C49M21W
Standard place settings	10
Energy efficiency class ①	A+ +
Annual energy consumption ②	211 kWh
Energy consumption of the standard cleaning cycle	0.741 kWh
Power consumption of off-mode	0.45W
Power consumption of left-on mode	0.49W
Annual water consumption ③	2520 liter

Drying efficiency class ④	A
Standard cleaning cycle ⑤	ECO 45°C
Program duration of the standard cleaning cycle	235 min
Noise level	49 dB(A) re 1 pW
Mounting	Free standing
Could be built-in	YES
Power consumption	1760-2100W
Rated voltage/frequency	220-240V/50Hz
Water pressure (flow pressure)	0.04-1.0MPa=0.4-10 bar

## NOTE:

1. A + + + (highest efficiency) to D (lowest efficiency)
2. Energy consumption based on 280 standard cleaning cycles using cold water fill and the consumption of the low power modes. Actual energy consumption will depend on how the appliance is used.
3. Water consumption based on 280 standard cleaning cycles. Actual water consumption will depend on how the appliance is used.
4. A (highest efficiency) to G (lowest efficiency)
5. This program is suitable for cleaning soiled normally soiled tableware and that it is the most efficient program in terms of its combined energy and water consumption for that type of tableware.

## Product information sheet (EN60436)

**Supplier's name or trade mark:** FAR

**Supplier's address (b):** 80 Boulevard du  
Mandinet Lognes 77432 Marne la Vallée Cedex  
2 FRANCE

**Model identifier:** LV10C49M21W

### General product parameters:

Parameter	Value	Parameter	Value
Rated capacity (a) (ps)	10	Dimensions in cm	Height   84,5
			Width   44,8
			Depth   60,0
EEI (a)	55,9	Energy efficiency class(a)	E (c)
Cleaning performance index(a)	1,13	Drying performance index (a)	1,07
Energy consumption in kWh [per cycle], based on the eco programme using cold water fill. Actual energy consumption will depend on how the appliance is used.	0,755	Water consumption in litres [per cycle], based on the eco program. Actual water consumption will depend on how the appliance is used and on the hardness of the water.	9,0
Program duration (a) (h:min)	3:55	Type	Free standing
Airborne acoustical noise emissions (a) (dB(A) re 1 pW)	49	Airborne acoustical noise emission class(a)	C(c)
Off-mode (W)	0,49	Standby mode (W)	N/A
Delay start (W) (if applicable)	1,00	Networked standby (W) (if applicable)	N/A

Minimum duration of the guarantee offered by the supplier <sup>(b)</sup>:

Additional information:

Weblink to the supplier's website, where the information in point 6 of Annex II to Commission Regulation (EU) 2019/2022(1) <sup>(b)</sup> is found:

<sup>(a)</sup> for the eco program.

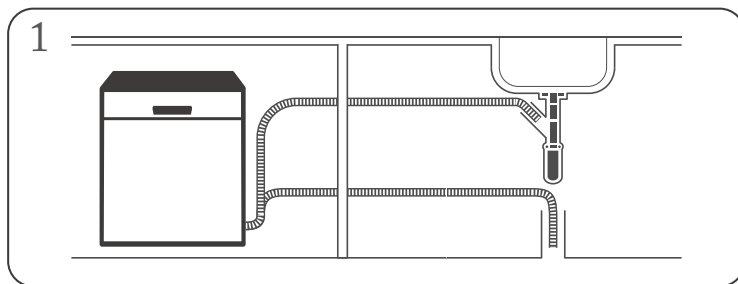
<sup>(b)</sup> changes to these items shall not be considered relevant for the purposes of paragraph 4 of Article 4 of Regulation (EU) 2017/1369.

<sup>(c)</sup> if the product database automatically generates the definitive content of this cell the supplier shall not enter these data.

<sup>(1)</sup> Commission Regulation (EU) 2019/2022 of 1 October 2019 laying down eco design requirements for household dishwashers pursuant to Directive 2009/125/EC of the European Parliament and of the Council amending Commission Regulation (EC) No 1275/2008 and repealing Commission Regulation (EU) No 1016/2010 (see page 267 of this Official Journal).

## QUICK USER GUIDE

Please read the corresponding content on the instruction manual for detailed operating method.

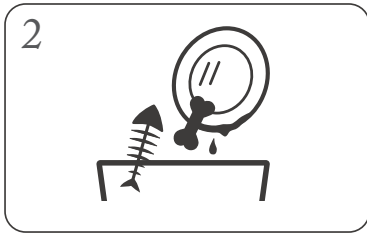


Install the dishwasher

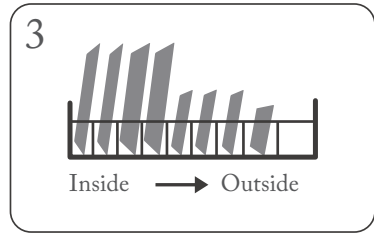
NOTE: Please check section

«INSTALLATION INSTRUCTION»

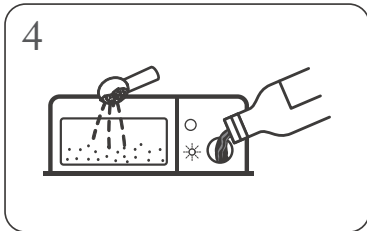




Removing the larger residue on the cutlery



Loading the baskets



Filling the dispenser



Selecting a program and running the dishwasher

## INSTALLATION INSTRUCTION

### **WARNING!**

#### **Electrical Shock Hazard**



Disconnect electrical power before installing dishwasher.

Failure to do so could result in death or electrical shock.

### **ATTENTION!**

The installation of the pipes and electrical equipments should be done by professionals.

## ABOUT POWER CONNECTION

### **WARNING!**

For personal safety:

- Do not use an extension cord or an adapter plug with this appliance.
- Do not, under any circumstances, cut or remove the earthing connection from the power cord.

## Electrical requirements

Please look at the rating label to know the rating voltage and connect the dishwasher to the appropriate power supply. Use the required fuse 10A/13A/16A, time delay fuse or circuit breaker recommended and provide separate circuit serving only this appliance.

## Electrical connection

Ensure the voltage and frequency of the power being corresponds to those on the rating plate. Only insert the plug into an electrical socket which is earthed properly. If the electrical socket to which the appliance must be connected is not appropriate for the plug, replace the socket, rather than using a adaptors or the like as they could cause overheating and burns.



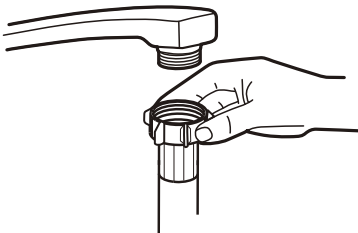
**Ensure that proper earthing exists before use.**

## WATER SUPPLY AND DRAIN

### Cold water connection

Connect the cold water supply hose to a threaded 3/4(inch) connector and make sure that it is fastened tightly in place.

If the water pipes are new or have not been used for an extended period of time, let the water run to make sure that the water is clear. This precaution is needed to avoid the risk of the water inlet to be blocked and damage the appliance.



Ordinary supply hose



Safety supply hose

## About the safety supply hose

The safety supply hose consists of the double walls. The hose's system guarantees its intervention by blocking the flow of water in case of the supply hose breaking and when the air space between the supply hose itself and the outer corrugated hose is full of water.



### **WARNING!**

A hose that attaches to a sink spray can burst if it is installed on the same water line as the dishwasher. If your sink has one, it is recommended that the hose be disconnected and the hole plugged.

## How to connect the safety supply hose

1. Pull the safety supply hoses completely out from storage compartment located at rear of dishwasher.
2. Tighter the screws of the safety supply hose to the faucet with thread 3/4inch.
3. Turn water fully on before starting the dishwasher.

## How to disconnect the safety supply hose

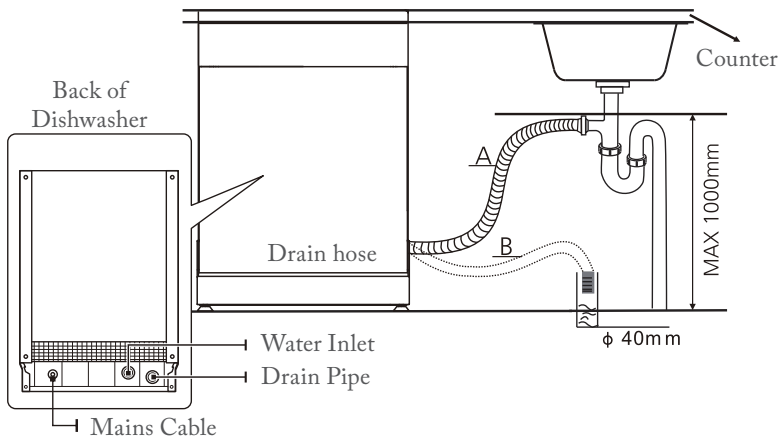
1. Turn off the water.
2. Unscrew the safety supply hose from the faucet.

## CONNECTION OF DRAIN HOSES

Insert the drain hose into a drain pipe with a minimum diameter of 4 cm, or let it run into the sink, making sure to avoid bending or crimping it. The height of drain pipe must be less than 1000mm. The free end of the hose must not be immersed in water to avoid the back flow of it.



**Please securely fix the drain hose in either position A or position B.**



## **How to drain excess water from hoses**

If the sink is 1000 higher from the floor, the excess water in hoses cannot be drained directly into the sink. It will be necessary to drain excess water from hoses into a bowl or suitable container that is held outside and lower than the sink.

## **Water outlet**

Connect the water drain hose. The drain hose must be correctly fitted to avoid water leaks. Ensure that the water drain hose is not kinked or squashed.

## **Extension hose**

If you need a drain hose extension, make sure to use a similar drain hose.

It must be no longer than 4 meters; otherwise the cleaning effect of the dishwasher could be reduced.

## **Syphon connection**

The waste connection must be at a height less than 100 cm (maximum) from the bottom of the dish. The water drain hose should be fixed.

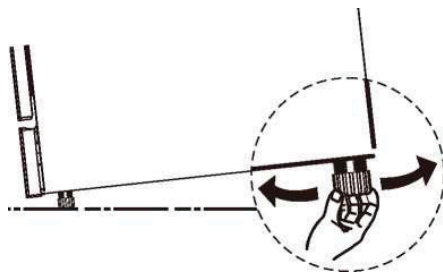
## POSITION THE APPLIANCE

Position the appliance in the desired location. The back should rest against the wall behind it, and the sides, along the adjacent cabinets or walls. The dishwasher is equipped with water supply and drain hoses that can be positioned either to the right or the left sides to facilitate proper installation.

### Levelling the appliance

Once the appliance is positioned for levelling, the height of the dishwasher may be altered via adjustment of the screwing level of the feet. In any case, the appliance should not be inclined more than  $2^{\circ}$ .

**NOTE:** Only apply to the free standing dishwasher.



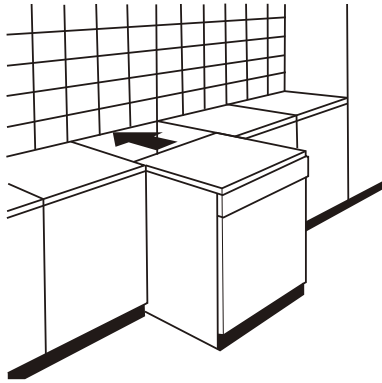


## FREE STANDING INSTALLATION

### Fitting between existing cabinets

The height of the dishwasher, 845 mm, has been designed in order to allow the machine to be fitted between existing cabinets of the same height in modern fitted kitchens. The feet can be adjusted so that correct height is reached.

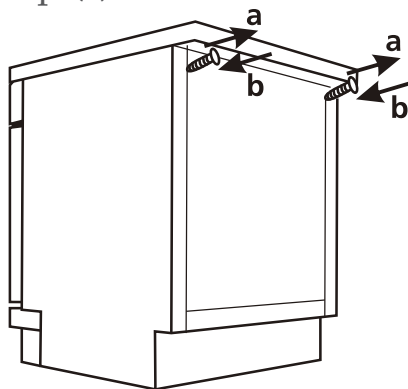
The laminated top of the machine does not require any particular care since it is heatproof, scratchproof and stainproof.



## Underneath existing work top

(When fitting beneath a work top)

In most modern fitted kitchens there is only one single work top under which cabinets and electrical appliances are fitted. In this case remove the work top of the dishwasher by unscrewing the screws under the rear edge of the top (a).

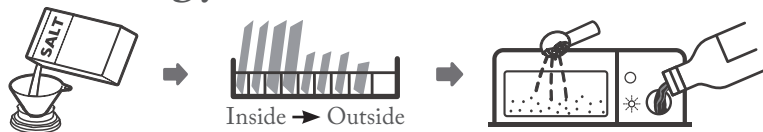


### **ATTENTION!**

After removing the work top, the screws must be screwed again under the rear edge of the top (b). The height will then be reduced to 815 mm, as scheduled by the International Regulations (ISO) and the dishwasher will fit perfectly under the kitchen working top.

## USING YOUR DISHWASHER

Before using your dishwasher:



1. Set the water softener
2. Loading the salt into the softener
3. Loading the basket
4. Fill the dispenser

**NOTE:** Please check section “Water Softener”, if you need to set the water softener.

### Loading The Salt Into The Softener

**NOTE:** If your model does not have any water softener, you may skip this section. Always use salt intended for dishwasher use.

The salt container is located beneath the lower basket and should be filled as explained in the following:

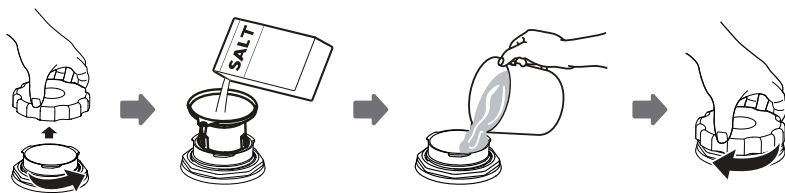
## WARNING!

- **Only use salt specifically designed for dishwashers use!**

Every other type of salt not specifically designed for dishwasher use, especially table salt, will damage the water softener. In case of damages caused by the use of unsuitable salt the manufacturer does not give any warranty nor is liable for any damages caused.

- **Only fill with salt before running a cycle.**  
This will prevent any grains of salt or salty water, which may have been spilled, remaining on the bottom of the machine for any period of time, which may cause corrosion.

Please follow the steps below for adding dishwasher salt:



1. Remove the lower basket and unscrew the reservoir cap.

2. Place the end of the funnel (supplied) into the hole and pour in about 1.5kg of dishwasher salt.
3. Fill the salt container to its maximum limit with water. It is normal for a small amount of water to come out of the salt container.
4. After filling the container, screw back the cap tightly.
5. The salt warning light will stop being after the salt container has been filled with salt.
6. Immediately after filling the salt into the salt container, a washing program should be started (We suggest to use a short program). Otherwise the filter system, pump or other important parts of the machine may be damaged by salty water. This is out of warranty.

**NOTE:**

- The salt container must only be refilled when the salt warning light in the control panel comes on. Depending on how well the salt dissolves, the salt warning light may still be on even though the salt container is filled. If there is no salt warning light in the control panel

(for some Models), you can estimate when to fill the salt into the softener by the cycles that the dishwasher has run.

- If salt has spilled, run a soak or quick program to remove it.

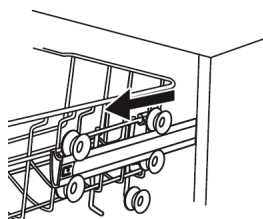
## BASKET USED TIPS

### Adjusting the upper basket

#### Type 1:

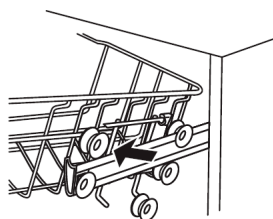
The height of the upper basket can be easily adjusted to accommodate taller dishes in either the upper or lower basket.

To adjust the height of the upper rack, follow these steps:

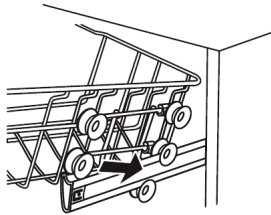


lower position

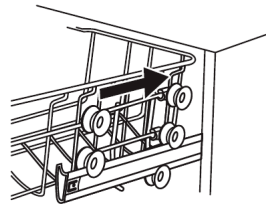
Pull out the upper basket.



Remove the upper basket.



Re-attach the upper basket to upper or lower rollers.

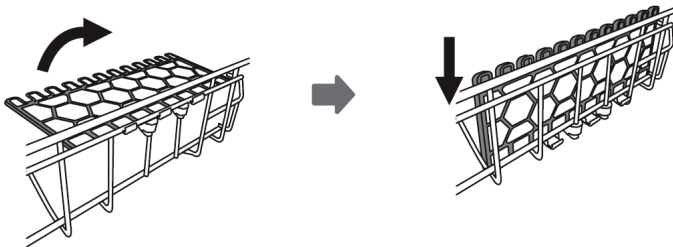


upper position

Push in the upper basket.

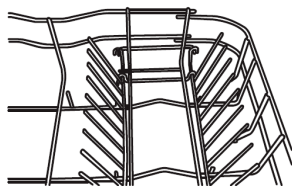
### Folding back the cup shelves

To make room for taller items in the upper basket, raise the cup rack upwards. You can then lean the tall glasses against it. You can also remove it when it is not required for use.



## Folding back the rack shelves

The spikes of the lower basket are used for holding plates and a platter. They can be lowered to make more room for large items.

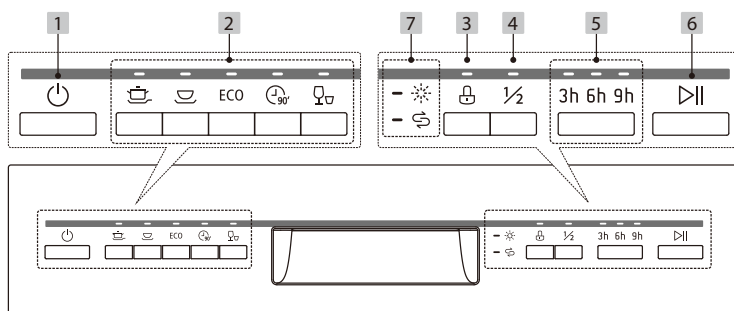


raise upwards





fold backwards



## CONTROL PANEL






## Operation (Button)


1	Power	Press this button to turn on your dishwasher, the screen lights up.
2	Program	Select the appropriate washing program, the selected program indicator will be on.
		 <b>Intensive</b> Heavily soiled items include pots and pans. With dried on food.
		 <b>Universal</b> For normally soiled loads, such as pots, plates, glasses and lightly soiled pans.
		<b>ECO ECO</b> This is the standard program suitable for normally soiled loads, such as pots, plates, glasses and lightly soiled pans.

		 <b>90 min</b> For normally soiled loads that need quick wash.
		 <b>Rapid</b> A snorter wash for lightly soiled loads that do not need drying.
3	Child lock	<p>This option allows you to lock the buttons on the control panel, so children cannot accidentally start the dishwasher by pressing the buttons on the panel.</p> <p>Only the Power button remains active.</p> <p>To activate or deactivate this option, press the button for 3 seconds.</p>

4	Half-load	When you have about or less than 6 place setting dishware to wash, you can choose this function to save energy and water. (It can only be used with Intensive, Normal, ECO and 90 min.)
5	Delay	Press the button to set the delay time (3h, 6h, 9h), corresponding indicator will be lit.
6	Start/ Pause	Press the button to start the selected washing program or pause the working program.

## Display

7	Warning indicators	 <b>Rinse Aid</b> If the indicator is lit, it means the dishwasher is low on dishwasher rinse aid and requires a refill.
---	--------------------	--

		 <b>Salt</b> If the indicator is lit, it means the dishwasher is low on dishwasher salt and needs to be refilled.
--	--	---

## WATER SOFTENER

The water softener must be set manually, using the water hardness dial.

The water softener is designed to remove minerals and salts from the water, which would have a detrimental or adverse effect on the operation of the appliance.

The more minerals there are, the harder your water is.

The softener should be adjusted according to the hardness of the water in your area. Your local Water Authority can advise you on the hardness of the water in your area.

## **Adjusting salt consumption**

The dishwasher is designed to allow for adjustment in the amount of salt consumed based on the hardness of the water used. This is intended to optimise and customise the level of salt consumption.

Please follow the steps below for adjustment in salt consumption.

1. Switch on the appliance;
2. Press the Rapid button for more than 5 seconds to start the water softener set model within 60 seconds after the appliance was switched on;
3. Press the Rapid button to select the proper set according to your local environment, the sets will change in the following sequence: H1->H2->H3->H4- >H5->H6;
4. Press the Power button to end the set up model.

WATER HARDNESS				Water softener level	Salt consumption (gram/ cycle)
German °dH	French TH	British ° Clarke	Mmol/l		
0-5	0-9	0-6	0 - 0.94	H1->Rapid Light bright	0
6- 11	10-20	7-14	1.0-2.0	H2->90 min Light bright	9
12- 17	21-30	15-21	2.1 -3.0	H3->Rapid, 90 min Light bright	12
18-22	31-40	22-28	3.1-4.0	H4-ÆCO Light bright	20
23-34	41-60	29-42	4.1 - 6.0	H5->Rapid, ECO Light bright	30
35-55	61-98	43-69	6.1 - 9.8	H6->90 min, ECO Light bright	60

1 dH=1.25 Clarke=1.78 fH=0.178mmol/l

The manufactory setting: H3

Contact your local water board for information on the hardness of your water supply

**NOTE:** Please check section “Loading The Salt Into The Softener” if your dishwasher lacks salt.

**NOTE:** If your model does not have any water softener, you may skip this section.

## **Water Softener**

The hardness of the water varies from place to place. If hard water is used in the dishwasher, deposits will form on the dishes and utensils.

The appliance is equipped with a special softener that uses a salt container specifically designed to eliminate lime and minerals from the water.

## **PREPARING AND LOADING DISHES**

- Consider buying utensils which are identified as dishwasher-proof.
- For particular items, select a program with the lowest possible temperature.
- To prevent damage, do not take glass and cutlery out of the dishwasher immediately after the program has ended.

## **For washing the following cutlery/dishes**

### **Are not suitable**

- Cutlery with wooden, porcelain or mother - of - pearl handles
- Plastic items that are not heat resistant
- Older cutlery with glued parts that are not temperature resistant
- Bonded cutlery items or dishes
- Pewter or cooper items

- Crystal glass
- Steel items subject to rusting
- Wooden platters
- Items made from synthetic fibres

### **Are of limited suitability**

- Some types of glasses can become dull after a large number of washes
- Silver and aluminum parts have a tendency to discolour during washing
- Glazed patterns may fade if machine washed frequently
- Please check section “Loading The Salt Into The Softener”, if your dishwasher lacks salt.

### **Recommendations for loading the dishwasher**

Scrape off any large amounts of leftover food. Soften remnants of burnt food in pans. It is not necessary to rinse the dishes under running water. For best performance of the dishwasher, follow these loading guidelines.



**(Features and appearance of baskets and cutlery baskets may vary from your model.)**  
**Place objects in the dishwasher in following way:**

- Items such as cups, glasses, pots/pans, etc. are faced downwards.
- Curved items, or ones with recesses, should be loaded aslant so that water can run off.
- All utensils are stacked securely and can not tip over.
- All utensils are placed in the way that the spray arms can rotate freely during washing.
- Load hollow items such as cups, glasses, pans etc. With the opening facing downwards so that water cannot collect in the container or a deep base.
- Dishes and items of cutlery must not lie inside one another, or cover each other.
- To avoid damage, glasses should not touch one another.
- The upper basket is designed to hold more delicate and lighter dishware such as glasses, coffee and tea cups.
- Long bladed knives stored in an upright position are a potential hazard!

- Long and I or sharp items of cutlery such as carving knives must be positioned horizontally in the upper basket.
- Please do not overload your dishwasher. This is important for good results and for reasonable consumption of energy.

**NOTE:** Very small items should not be washed in the dishwasher as they could easily fall out of the basket.

## REMOVING THE DISHES

To prevent water dripping from the upper basket into the lower basket, we recommend that you empty the lower basket first, followed by the upper basket.



### **WARNING!**



**Items will be hot!** To prevent damage, do not take glass and cutlery out of the dishwasher for around 15 minutes after the program has ended.

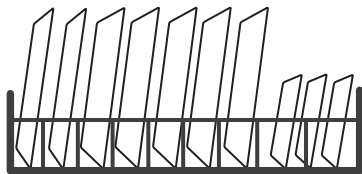
## LOADING THE UPPER BASKET

The upper basket is designed to hold more delicate and lighter dishware such as glasses, coffee and tea cups and saucers, as well as plates, small bowls and shallow pans (as long as they are not too dirty). Position the dishes and cookware so that they will not get moved by the spray of water.



## LOADING THE LOWER BASKET

We suggest that you place large items and the most difficult to clean items are to be placed into the lower basket: such as pots, pans, lids, serving dishes and bowls, as shown in the figure below. It is preferable to place serving dishes and lids on the side of the racks in order to avoid blocking the rotation of the top spray arm. The maximum diameter advised for plates in front of the detergent dispenser is of 19 cm, this not to hamper the opening of it.



## LOADING THE CUTLERY BASKET

Cutlery should be placed in the cutlery rack separately from each other in the appropriate positions, and do make sure the utensils do not nest together, this may cause bad performance.



### WARNING!



Do not let any item extend through the bottom.

Always load sharp utensils with the sharp point down!

**NOTE: For the best washing effect, please load the baskets refer to standard loading options.**

## **FUNCTION OF THE RINSE AID AND DETERGENT**

The rinse aid is released during the final rinse to prevent water from forming droplets on your dishes, which can leave spots and streaks. It also improves drying by allowing water to roll off the dishes. Your dishwasher is designed to use liquid rinse aids.



### **WARNING!**

Only use branded rinse aid for dishwasher. Never fill the rinse aid dispenser with any other substances (e.g. Dishwasher cleaning agent, liquid detergent). This would damage the appliance.

### **When to refill the rinse aid dispenser**

Unless the rinse-aid warning light (☼) on the control panel is on, you can always estimate the amount from the color of the optical level indicator located next to the cap. When the rinse-aid container is full, the indicator will be fully dark. The size of the dark dot decreases as the rinse-aid diminishes. You should never let the rinse aid level be less than 1/4 full.

As the rinse aid diminishes, the size of the black dot on the rinse aid level indicator changes, as illustrated below.

●	●	●	●	○
Full	3/4 full	1/2 full	1/4 full	Empty

## Function of detergent

The chemical ingredients that compose the detergent are necessary to remove, crush and dispense all dirt out of the dishwasher. Most of the commercial quality detergents are suitable for this purpose.

## WARNING!

- Proper Use of Detergent

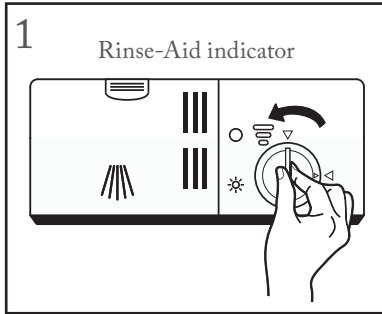
Use only detergent specifically made for dishwashers use. Keep your detergent fresh and dry.

Don't put powdered detergent into the dispenser until you are ready to wash dishes.

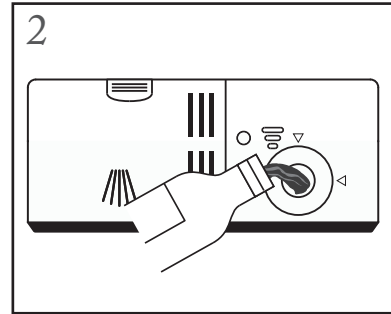


**Dishwasher detergent is corrosive!**  
**Keep dishwasher detergent out of the reach of children.**

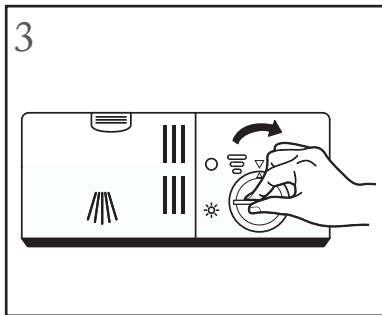
## FILLING THE RINSE AID RESERVOIR



Remove the rinse aid reservoir cap by rotating it counterclockwise.

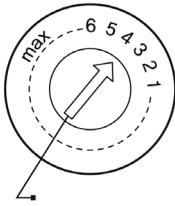


Carefully pour in the rinse-aid into its dispenser, whilst avoiding it to overflow.



Close the rinse aid reservoir cap by rotating it clockwise.

**NOTE:** Clean up any spilled rinse aid with an absorbent cloth to avoid excessive foaming during the next wash.

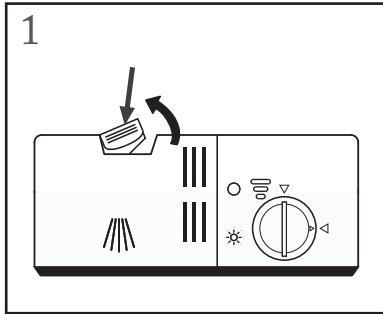


Adjust lever (Rinse)

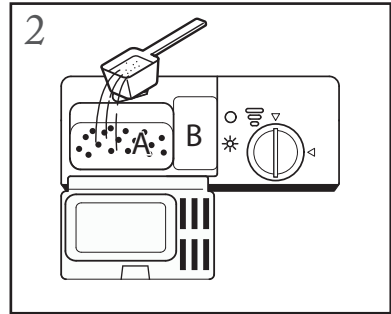
Adjusting the rinse aid reservoir. Turn the rinse aid indicator dial to a number between 1 and 6. The higher the number, the more rinse aid the dishwasher uses. If the dishes are not drying properly or are spotted, adjust the dial to the next higher number until your dishes are spot-free. Reduce it if there are sticky whitish stains on your dishes or a bluish film on glassware or knife blades.



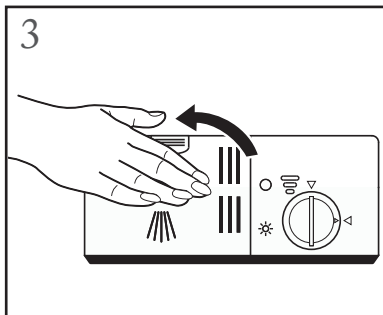
## FILLING THE DETERGENT DISPENSER



Press the release catch on the detergent dispenser to open the cover.



Add detergent into the larger cavity (A) for the main wash cycle. For more heavily soiled wash loads, also add some detergent into the smaller cavity (B) for the pre-wash cycle.



Close the cover and press on it until it locks into place.

**NOTE:**

- Be aware that depending on the soiling of water, setting may be different.
- Please observe the manufacturer's recommendations on the detergent packaging.

**MAINTENANCE AND CLEANING****External Care****The door and the door seal**

Clean the door seals regularly with a soft damp cloth to remove food deposits.

When the dishwasher is being loaded, food and drink residues may drip onto the sides of the dishwasher door. These surfaces are outside the wash cabinet and are not accessed by water from the spray arms. Any deposits should be wiped off before the door is closed.

**The control panel**

If cleaning is required, the control panel should be wiped with a soft damp cloth only.

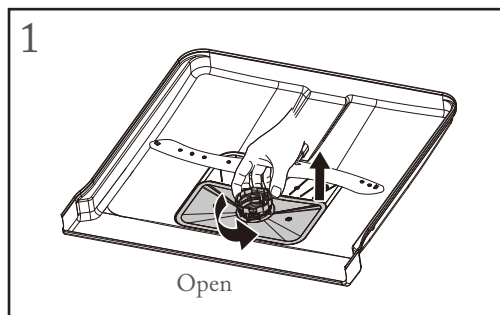
**WARNING!**

- To avoid penetration of water into the door lock and electrical components, do not use a spray cleaner of any kind.
- Never use abrasive cleaners or scouring pads on the outer surfaces because they may scratch the finish. Some paper towels may also scratch or leave marks on the surface.

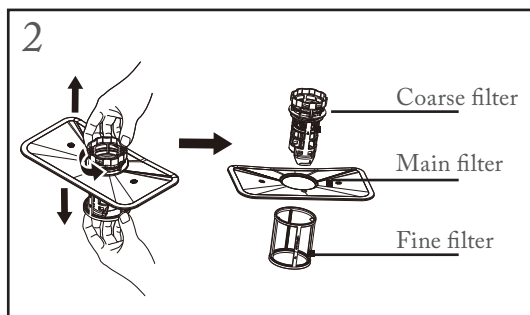
**Internal Care****Filtering system**

The filtering system in the base of the wash cabinet retains coarse debris from the washing cycle. The collected coarse debris may cause the filters to clog. Check the condition of the filters regularly and clean them if necessary under running water. Follow the steps below to clean the filters in the wash cabinet.

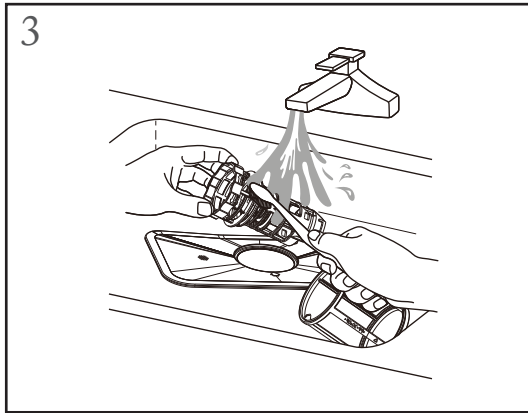
**NOTE:** Pictures are only for reference, different models of the filtering system and spray arms may be different.



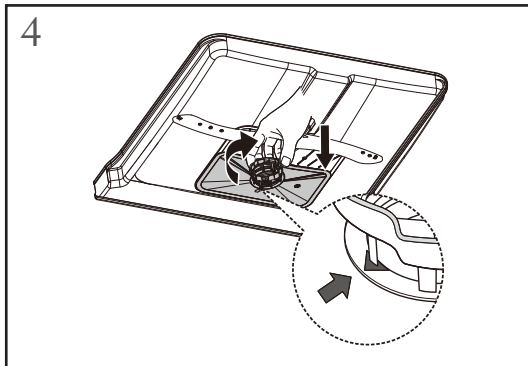
Hold the coarse filter and rotate it anticlockwise to unlock the filter. Lift the filter upwards and out of the dishwasher.



The fine filter can be pulled off the bottom of the filter assembly. The coarse filter can be detached from the main filter by gently squeezing the tabs at the top and pulling it away.



Larger food remnants can be cleaned by rinsing the filter under running water. For a more thorough clean, use a soft cleaning brush.



Reassemble the filters in the reverse order of the disassembly, replace the filter insert, and rotate clockwise to the close arrow.

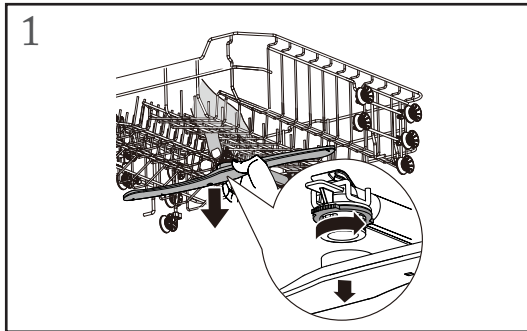
 **WARNING!**

- Do not over tighten the filters. Put the filters back in sequence securely, otherwise coarse debris could get into the system and cause a blockage.
- Never use the dishwasher without filters in place. Improper replacement of the filter may reduce the performance level of the appliance and damage dishes and utensils.

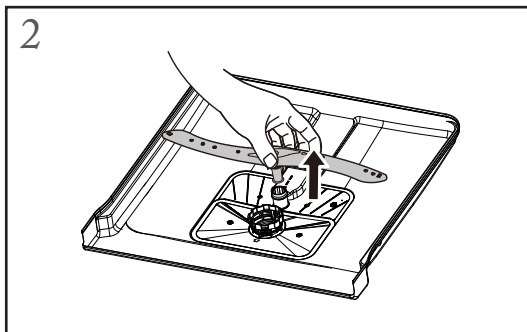
**Spray arms**

It is necessary to clean the spray arms regularly for hard water chemicals will clog the spray arm jets and bearings.

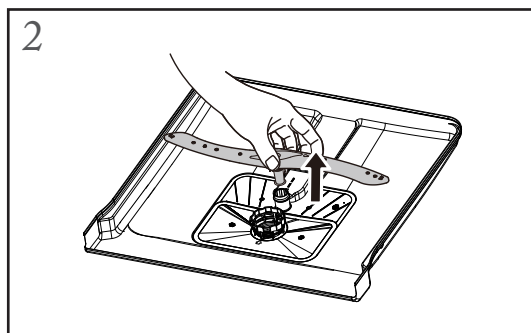
To clean the spray arms, follow the instructions below:



To remove the upper spray arm, hold the nut in the center still and rotate the spray arm counterclockwise to remove it.



To remove the lower spray arm, pull out the spray arm upward.



Wash the arms in soapy and warm water and use a soft brush to clean the jets. Replace them after rinsing them thoroughly.

## CARING FOR THE DISHWASHER

### Frost precaution

Please take frost protection measures on the dishwasher in winter. Every time after washing cycles, please operate as follows:

1. Cut off the electrical power to the dishwasher at the supply source.
2. Turn off the water supply and disconnect the water inlet pipe from the water valve.
3. Drain the water from the inlet pipe and water valve. (Use a pan to gather the water)
4. Reconnect the water inlet pipe to the water valve.



5. Remove the filter at the bottom of the tub and use a sponge to soak up water in the sump.

### **After every wash**

After every wash, turn off the water supply to the appliance and leave the door slightly open so that moisture and odors are not trapped inside.

### **Remove the plug**

Before cleaning or performing maintenance, always remove the plug from the socket.

### **No solvents or abrasive cleaning**

To clean the exterior and rubber parts of the dishwasher, do not use solvents or abrasive cleaning products. Only use a cloth with warm soapy water.

To remove spots or stains from the surface of the interior, use a cloth dampened with water and a little vinegar, or a cleaning product made specifically for dishwashers.

## **When not in use for a longtime**

It is recommend that you run a wash cycle with the dishwasher empty and then remove the plug from the socket, turn off the water supply and leave the door of the appliance slightly open. This will help the door seals to last longer and prevent odors from forming within the appliance.

## **Moving the appliance**

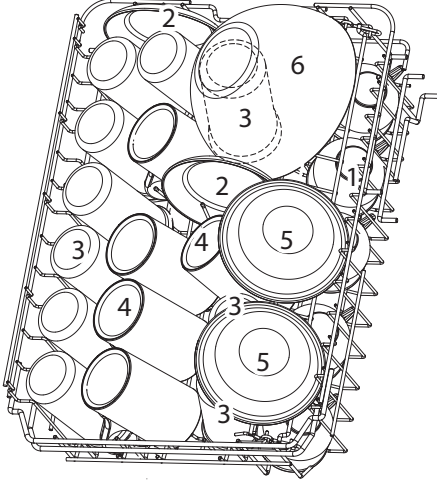
If the appliance must be moved, try to keep it in the vertical position. If absolutely necessary, it can be positioned on its back.

## **Seals**

One of the factors that cause odours to form in the dishwasher is food that remains trapped in the seals. Periodic cleaning with a damp sponge will prevent this from occurring.

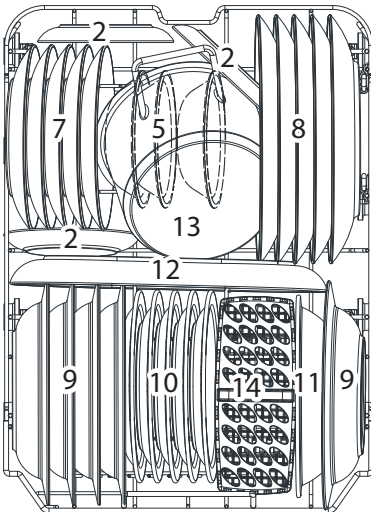
## LOADING THE BASKETS ACCORDING TO EN60436:

### 1. Upper basket:



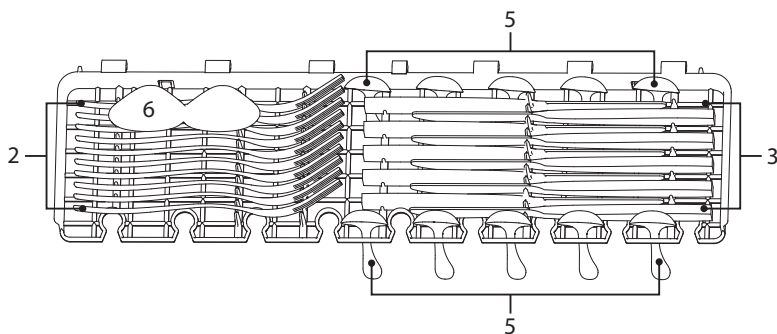
	Item
1	Cups
2	Saucers
3	Glasses
4	Mugs
5	Dessert bowls
6	Glass bowl

### 2. Lower basket:



	Item
7	Dessert plates
8	Dinner plates
9	Soup plates
10	Melamine dessert plates
11	Melamine bowl
12	Oval platter
13	Small pot
14	Cutlery basket

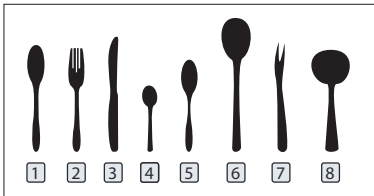
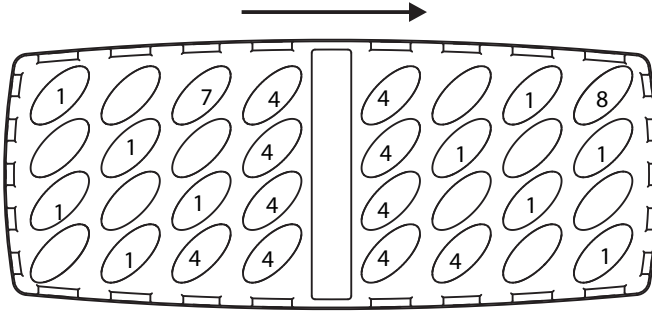
### 3. Cutlery rack:



#### NOTE:

Please place the light flat wares on the shelf. The total weight is less than 1.5kg.

### 4.Cutlery basket:



	Item
1	Soup spoons
2	Forks
3	Knives
4	Tea spoons
5	Dessert spoons
6	Serving spoons
7	Serving fork
8	Gravy ladle





Information for comparability tests in accordance with EN60436 Capacity: 10 place settings Position of the upper basket: lower position Program: ECO Rinse aid setting: MAX Softener setting: H3

## PROGRAMMING THE DISHWASHER

### Wash Cycle Table

The table below shows which programs are best for the levels of food residue on them and how much detergent is needed. It also shows various information about the programs.

(●) Means: need to fill rinse into the Rinse-Aid Dispenser.

Program	Description Of Cycle	Detergent Pre/Main	Running Time(min)	Energy (Kwh)	Water (L)	Rinse Aid
 Intensive	Pre-wash(50 °C ) Wash(65°C) Rinse Rinse Rinse(65°C) Drying	4/14g	205	1.378	15.3	●
 Universal	Pre-wash(45°C) Wash(55°C) Rinse Rinse(65°C) Drying	4/14g	175	1.287	13.1	●
<b>ECO</b> (*EN 60436)	Wash(45°C) Rinse Rinse(60°C) Drying	18g	235	0.755	8.7	●
 90 min	Wash(60°C) Rinse Rinse(65°C) Drying	18g	90	1.234	10.2	●
 Rapid	Wash(50°C) Rinse Rinse(45°C)	12g	30	0.611	10.0	○

**NOTE:**

EN 60436: This program is the test cycle. The information for comparability test in accordance with EN 60436.

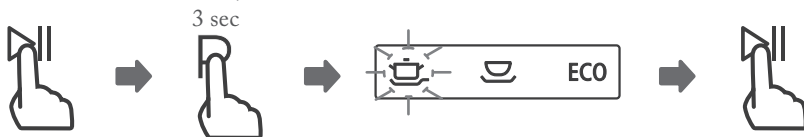
**Starting A Cycle Wash**

1. Draw out the lower and upper basket, load the dishes and push them back. It is commended to load the lower basket first, then the upper one.
2. Pour in the detergent.
3. Insert the plug into the socket. The power supply refer to last page "Product fiche". Make sure that the water supply is turned on to full pressure.
4. Close the door, press the Power button, to switch on the machine.
5. Choose a program, the response light will turn on. Then press the Start/Pause button, the dishwasher will start its cycle.

## Changing The Program Mid-cycle

A wash cycle can only be changed if it has been running for a short time otherwise, the detergent may have already been released and the dishwasher may have already drained the wash water. If this is the case, the dishwasher needs to be reset and the detergent dispenser must be refilled. To reset the dishwasher, follow the instructions below:

1. Press the Start/Pause button to pause the washing.
2. Press Program button for more than 3 seconds - the program will cancel.
3. Press the Program button to select the desired program.
4. Press the Start/Pause button, after 10 seconds, the dishwasher will start.

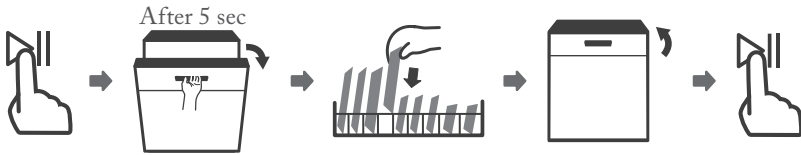


## Forget To Add A Dish?

A forgotten dish can be added any time before the detergent dispenser opens. If this is the case, follow the instructions below:



1. Press the Start/Pause button to pause the washing.
2. Wait 5 seconds then open the door.
3. Add the forgotten dishes.
4. Close the door.
5. Press the Start/Pause button after 10 seconds, the dishwasher will start.



## WARNING!



It is dangerous to open the door mid-cycle, as hot steam may scald you.

## ERROR CODES

If there is a malfunction, the dishwasher will display error codes to identify these:

Codes	Meanings	Possible Causes
The Rapid light flicker fleetly	Longer inlet time,	The faucets are not opened, or water intake is restricted, or water pressure is too low.
The Rapid, 90 min light flicker fleetly	Not reaching required temperature.	Malfunction of heating element.
The ECO light flicker fleetly	Overflow,	Some element of dishwasher leaks.
The Universal, ECO, Rapid light flicker fleetly	Failure of communication between main PCB with display pcb.	Open circuit or break wiring for the communication.



## WARNING!

- If overflow occurs, turn off the main water supply before calling a service.
- If there is water in the base pan because of an overflow or small leak, the water should be removed before restarting the dishwasher.

## TROUBLESHOOTING TIPS

### Before Calling For Service

Reviewing the charts on the following pages may save you from calling for service.

Problem	Possible Causes	What To Do
Dishwasher doesn't start	Fuse blown, or the circuit break tripped.	Replace fuse or reset circuit breaker. Remove any other appliances sharing the same circuit with the dishwasher.
	Power supply is not turned on.	Make sure the dishwasher is turned on and the door is closed securely. Make sure the power cord is properly plugged into the wall socket.
	Water pressure is low	Check that the water supply is connected properly and the water is turned on.
	Door of dishwasher not properly closed.	Make sure to close the door properly and latch it.

<b>Problem</b>	<b>Possible Causes</b>	<b>What To Do</b>
Water not pumped from dishwasher	Twisted or trapped drain hose.	Check the drain hose.
	Filter clogged.	Check coarse the filter.
	Kitchen sink clogged.	Check the kitchen sink to make sure it is draining well. If the problem is the kitchen sink that is not draining , you may need a plumber rather than a serviceman for dishwashers.
Suds in the tub	Wrong detergent.	Use only the special dishwasher detergent to avoid suds. If this occurs, open the dishwasher and let suds evaporate. Add 1 gallon of cold water to the bottom of the dishwasher. Close the dishwasher door, then select any cycle. Initially, the dishwasher will drain out the water. Open the door after draining stage is complete and check if the suds have disappeared. Repeat if necessary.
	Spilled rinse-aid.	Always wipe up rinse-aid spills immediately.
Stained tub interior	Detergent with colourant may have been used.	Make sure that the detergent has no colourant.
White film on inside surface	Hard water minerals.	To clean the interior, use a damp sponge with dishwasher detergent and wear rubber gloves. Never use any other cleaner than dishwasher detergent otherwise, it may cause foaming or suds.

<b>Problem</b>	<b>Possible Causes</b>	<b>What To Do</b>
There are rust stains on cutlery	The affected items are not corrosion resistant.	Avoid washing items that are not corrosion resistant in the dishwasher.
	A program was not run after dishwasher salt was added. Traces of salt have gotten into the wash cycle.	Always run a wash program without any crockery after adding salt. Do not select the Turbo function (if present), after adding dishwasher salt.
	The lid of the softer is loose.	Check the softener lid is secure.
Knocking noise in the dishwasher	A spray arm is knocking against an item in a basket	Interrupt the program and rearrange the items which are obstructing the spray arm.
Rattling noise in the dishwasher	Items of crockery are loose in the dishwasher.	Interrupt the program and rearrange the items of crockery.
Knocking noise in the water pipes	This may be caused by on-site installation or the cross-section of the Piping-	This has no influence on the dishwasher function. If in doubt, contact a qualified plumber.
The dishes are not clean	The dishes were not loaded correctly.	See "Preparing And Loading Dishes".
	The program was not powerful enough.	Select a more intensive program.

<b>Problem</b>	<b>Possible Causes</b>	<b>What To Do</b>
The dishes are not clean.	Not enough detergent was dispensed.	Use more detergent, or change your detergent.
	Items are blocking the movement of the spray arms.	Rearrange the items so that the spray can rotate freely.
	The filter combination is not clean or is not correctly fitted in the base of wash cabinet. This may cause the spray arm jets to get blocked.	Clean and/or fit the filter correctly. Clean the spray arm jets.
Cloudiness on glassware.	Combination of soft water and too much detergent.	Use less detergent if you have soft water and select a shorter cycle to wash the glassware and to get them clean.
White spots appear on dishes and glasses.	Hard water area can cause limescale deposits.	Add more detergent.
Black or grey marks on dishes	Aluminium utensils have rubbed against dishes	Use a mild abrasive cleaner to eliminate those marks.
Detergent left in dispenser	Dishes block detergent dispenser	Re-loading the dishes properly.

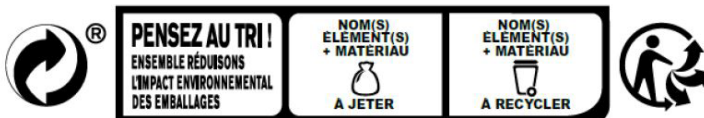
Problem	Possible Causes	What To Do
The dishes aren't drying	Improper loading	Load the dishwasher as suggested in the directions.
	Dishes are removed too soon	Do not empty your dishwasher immediately after washing. Open the door slightly so that the steam can come out. Take out the dishes until the inside temperature is safe to touch. Unload the lower basket first to prevent the dropping water from the upper basket.
The dishes aren't drying	Wrong program has been selected.	With a short program, the washing temperature is lower, decreasing cleaning performance. Choose a program with a long washing time.
	Use of cutlery with a low- quality coating.	Water drainage is more difficult with these items. Cutlery or dishes of this type are not suitable for washing in the dishwasher.

## DISPOSAL OF OLD ELECTRICAL APPLIANCES




The European directive 2012/19/EU on Waste Electrical and Electronic Equipment (WEEE), requires that old household electrical appliances must not be disposed of in the normal unsorted municipal waste stream. Old appliances must be collected separately in order to optimize the recovery and recycling of the materials they contain, and reduce the impact on human health and the environment. The crossed out “wheeled bin” symbol on the product reminds you of your obligation, that when you dispose of the appliance, it must be separately collected.

Consumers should contact their local authority or retailer for information concerning the correct disposal of their old appliance.



CONSIGNE POUVANT VARIER LOCALEMENT > [WWW.CONSIGNESDETRI.FR](http://WWW.CONSIGNESDETRI.FR)





CONFORAMA France SA  
80 Boulevard du Mandinet  
Lognes  
77432 Marne la Vallée Cedex 2  
FRANCE

