

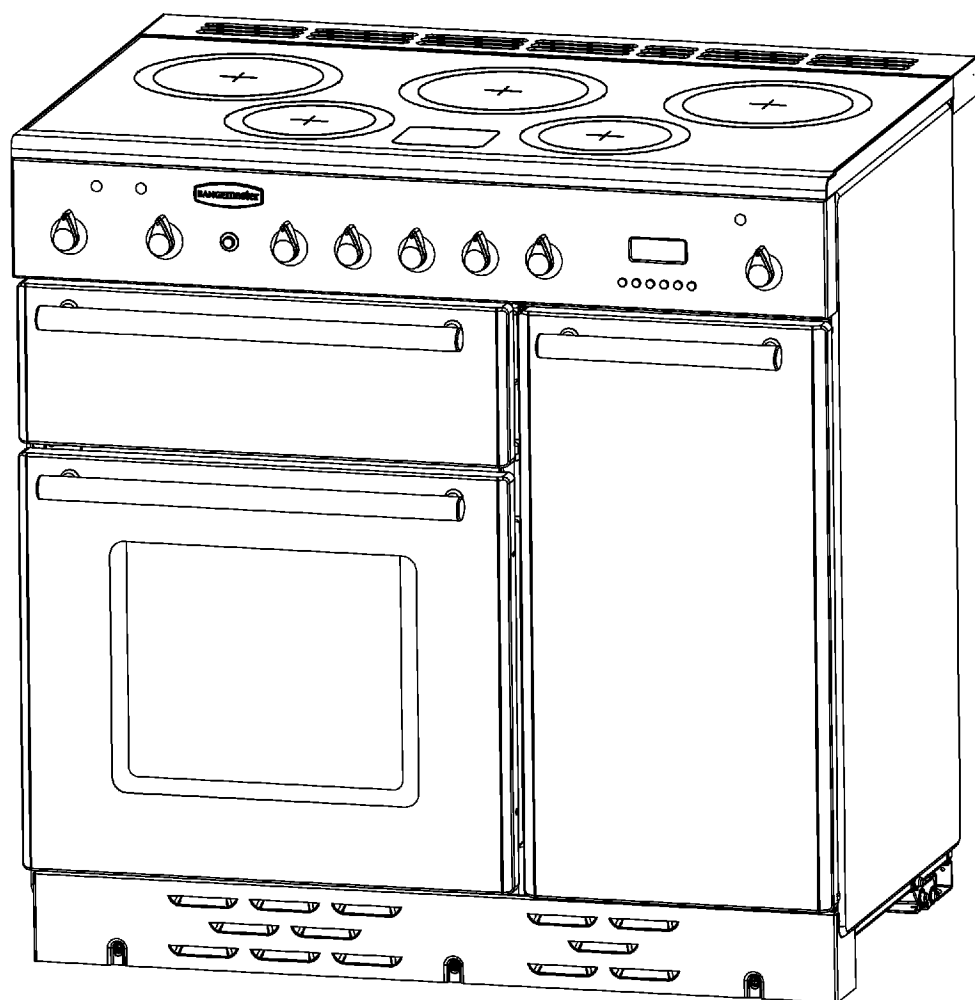
APPLIANCE NAME:
TOLEDO 90 INDUCTION

DATE 24.11.09

DSL0396 P00

ISSUE STATUS 02

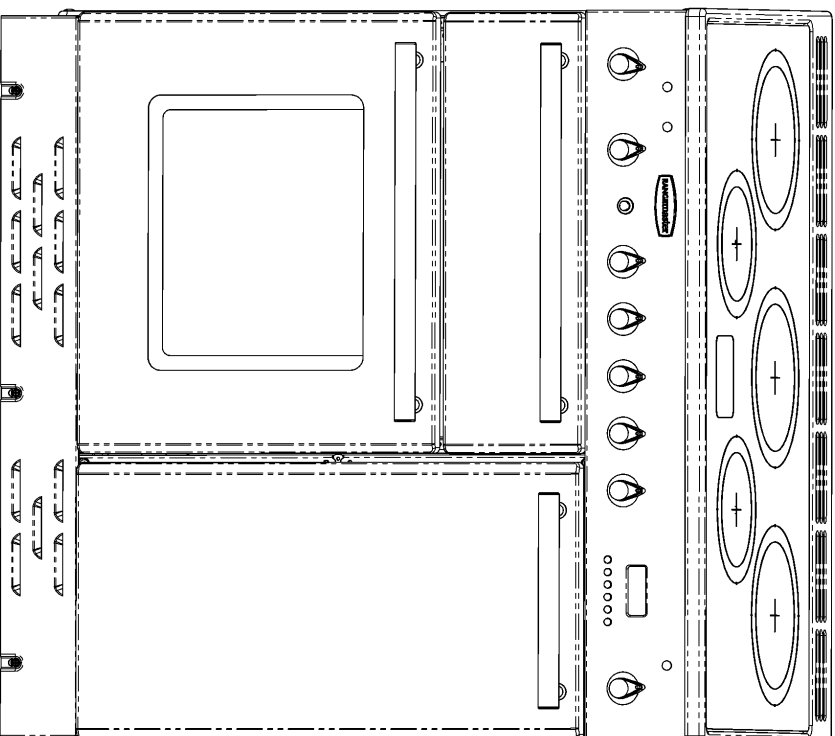
UP TO SERIAL No 149999

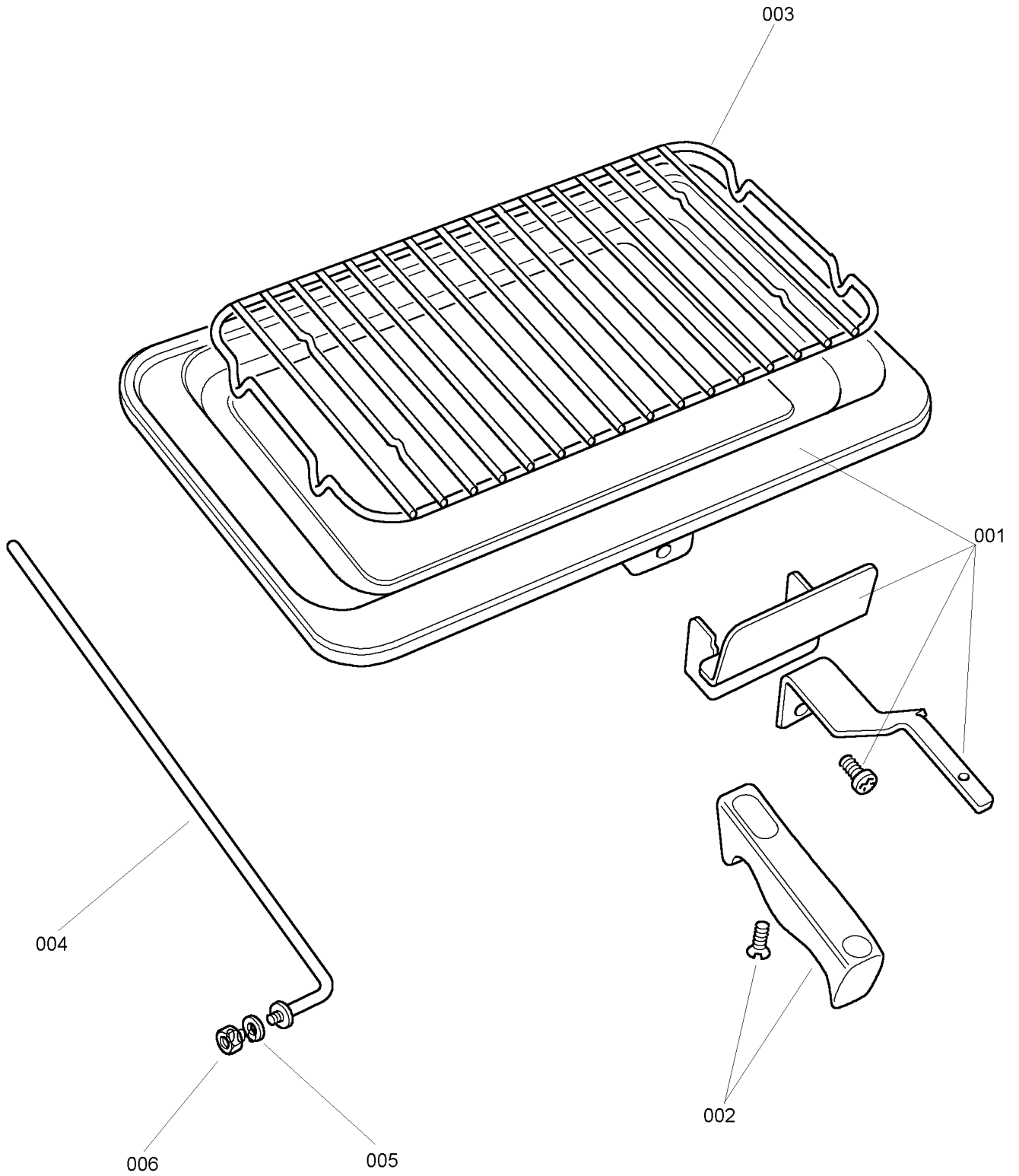


TOLEDO 90 INDUCTION
FROM SERIAL No 150000

DATE 20.11.09

DSL0396 P00A
ISSUE STATUS 01





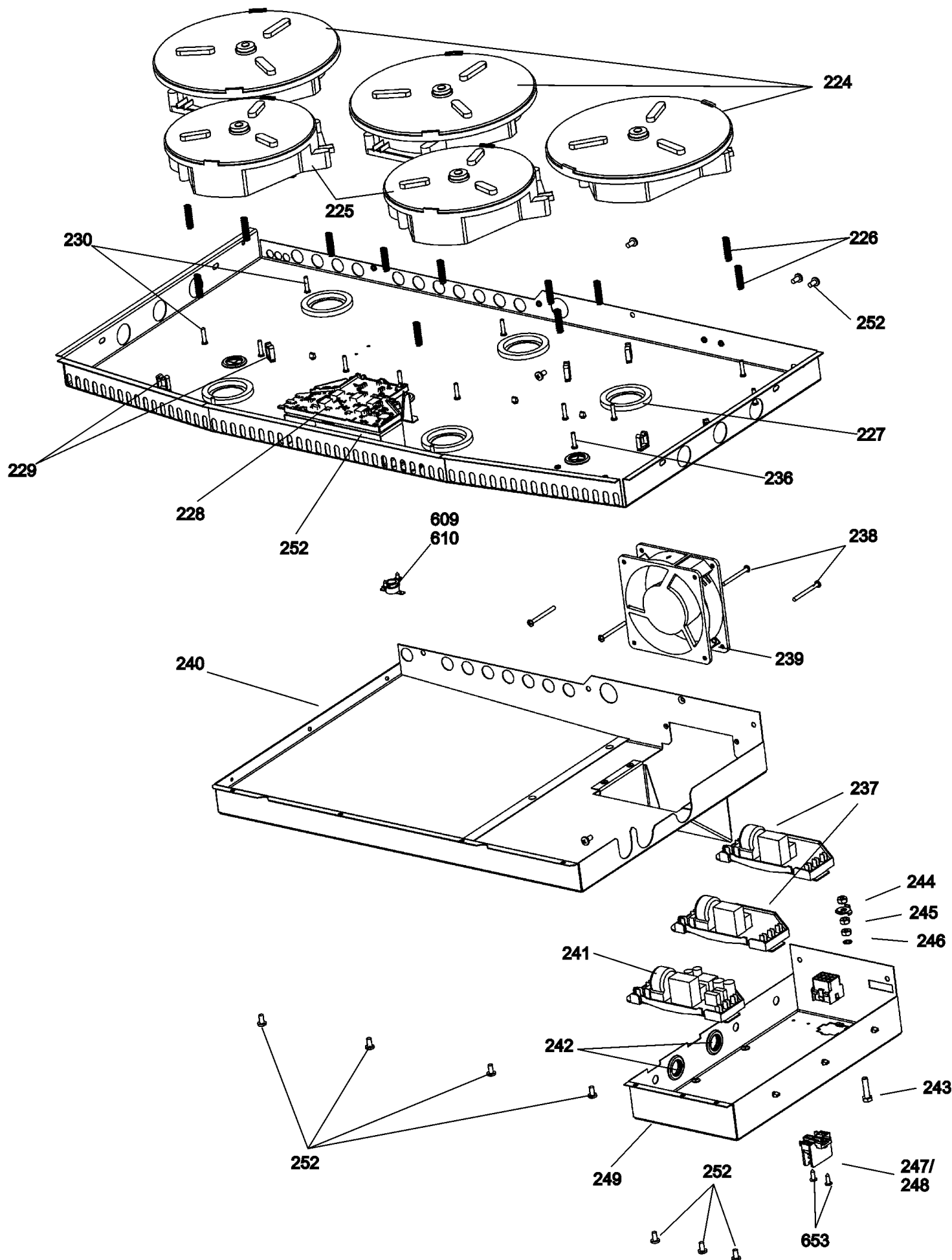
TOLEDO 90 INDUCTION

UK & EU COOKERS UP TO SERIAL NUMBER 157999
AUSTRALIAN COOKERS

DATE 15.11.12

DSL0396 P02

ISSUE STATUS 04

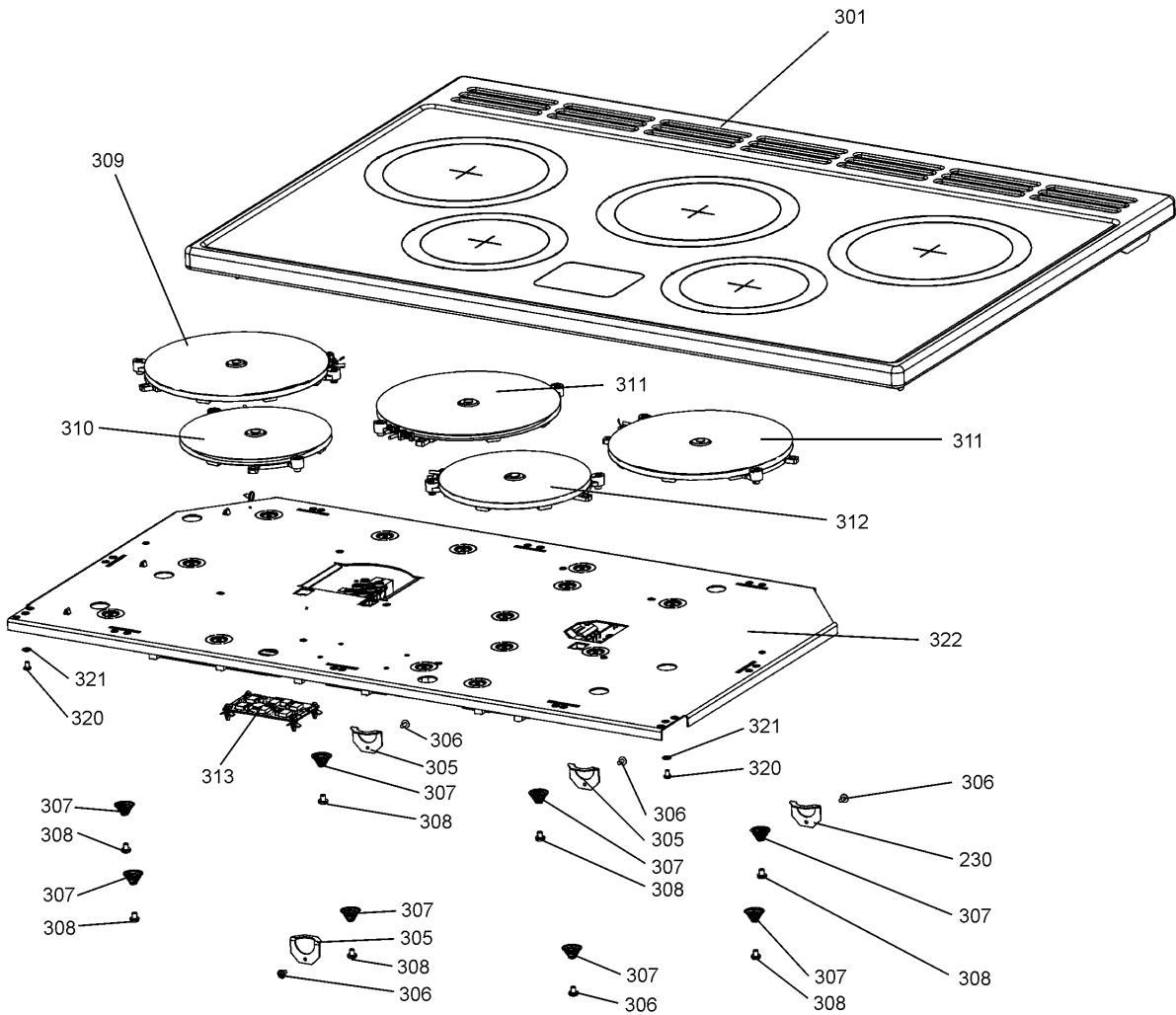


TOLEDO 90 INDUCTION
FROM SERIAL NUMBER 158000

DATE 10.04.13

DSL0396 P02A
ISSUE STATUS 02

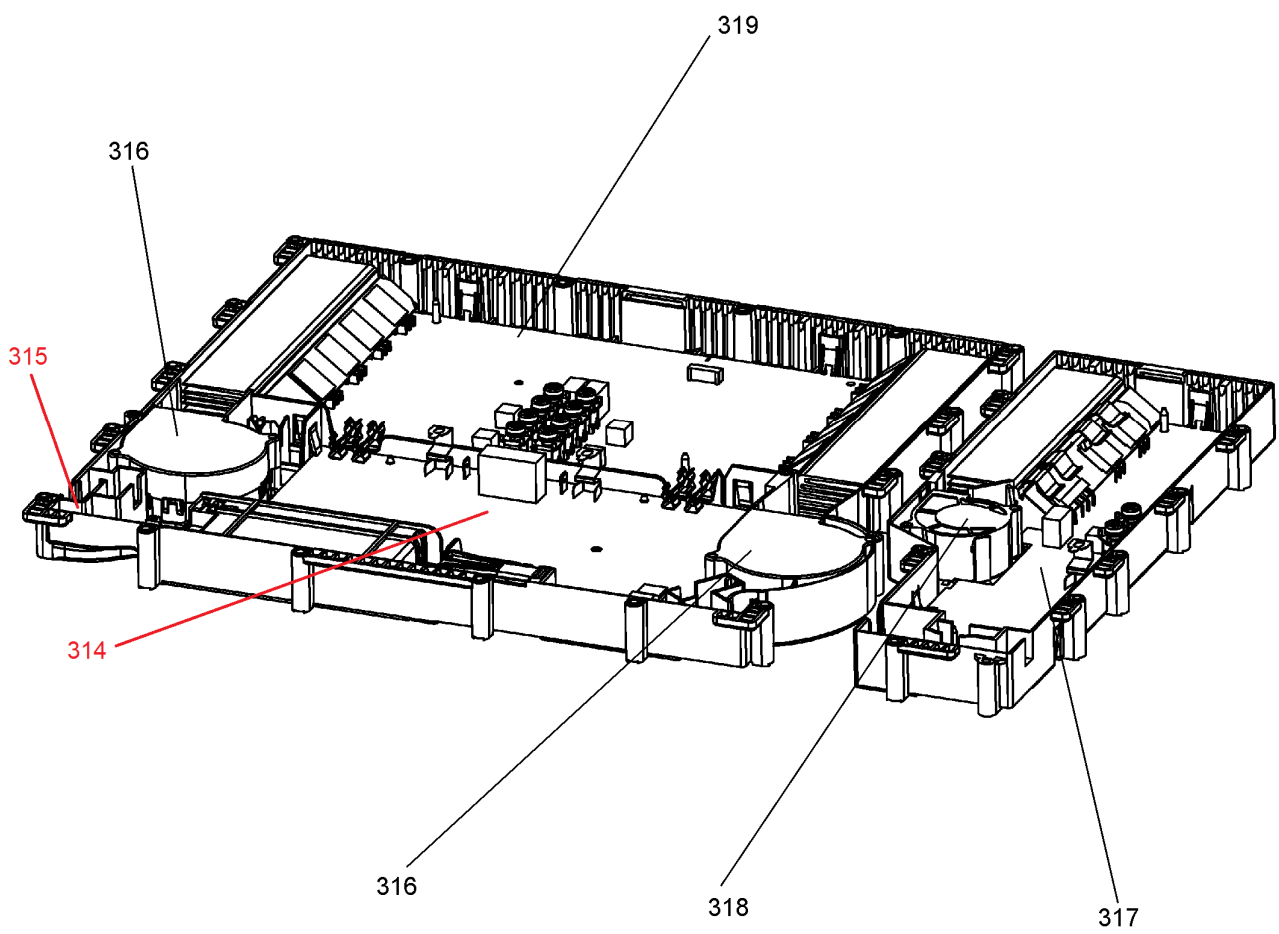
(UK & EU COOKERS ONLY)

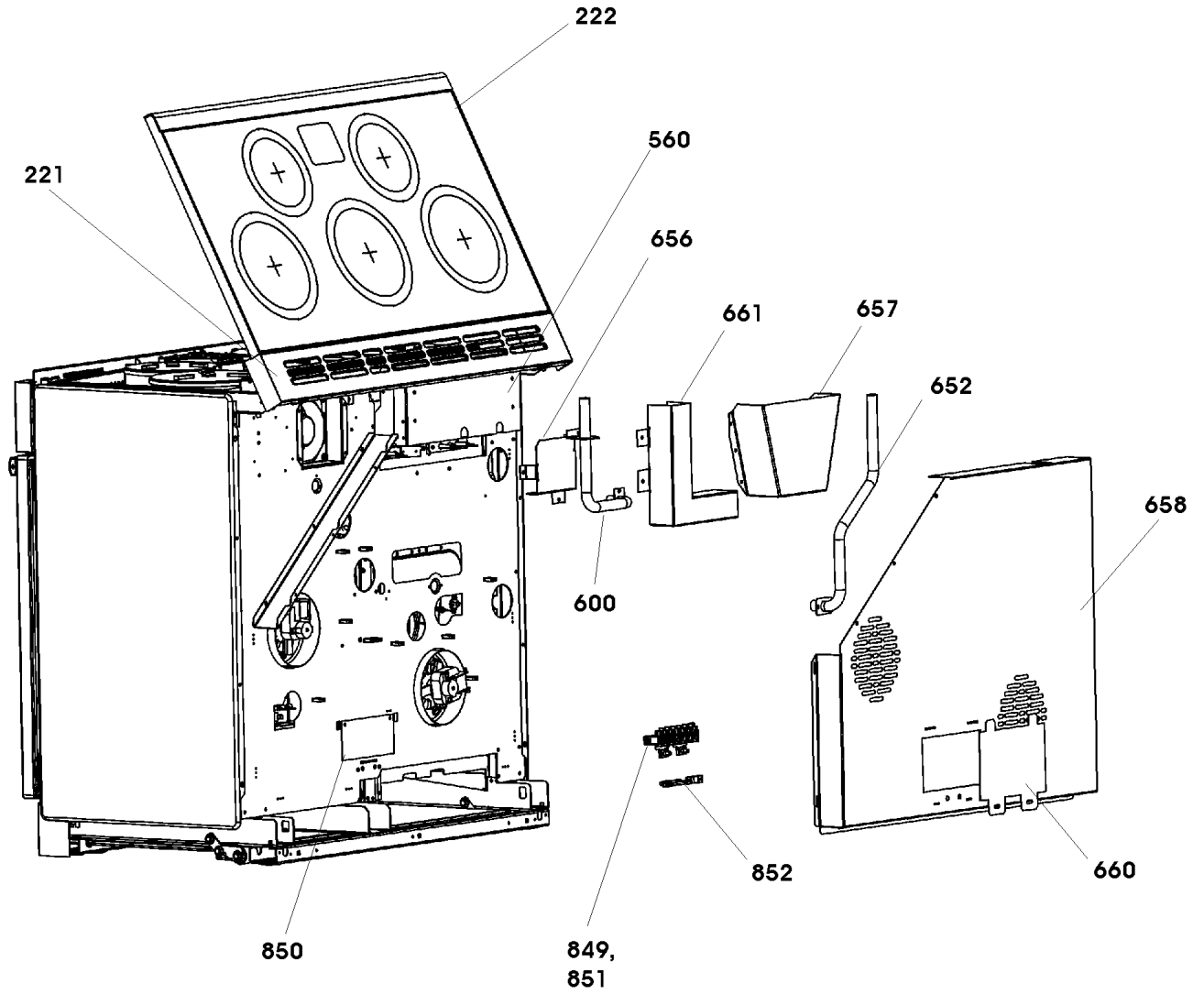


TOLEDO 90 INDUCTION
FROM SERIAL NUMBER 158000

DATE 15.11.12 **DSL0396 P02B**
ISSUE STATUS 01

(UK & EU COOKERS ONLY)





596

595



TOLEDO 90 INDUCTION

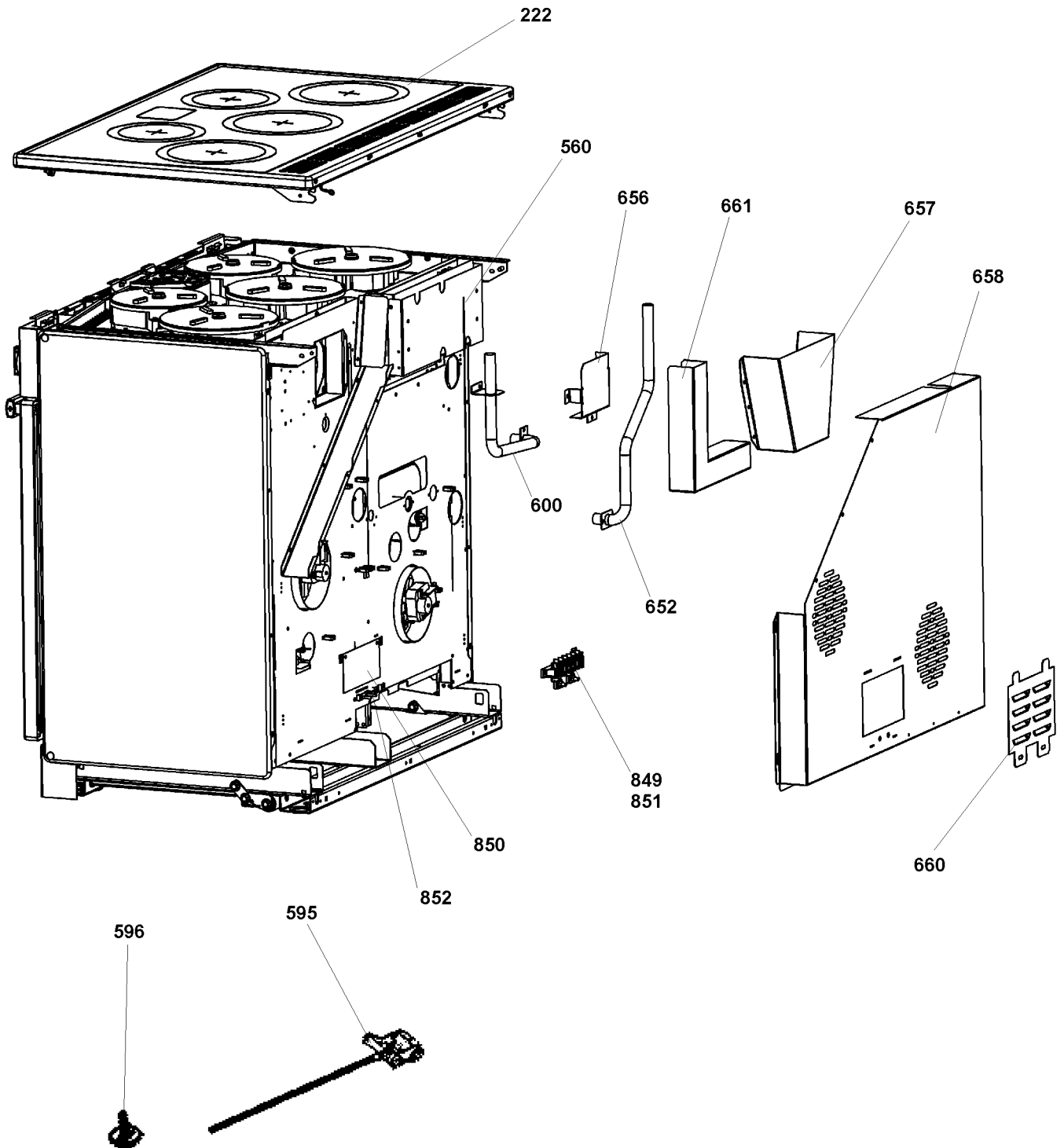
FROM SERIAL NUMBER 150000
UP TO SERIAL NUMBER 157999

DATE 15.11.12

DSL0396 P03A

ISSUE STATUS 03

(UK & EU COOKERS ONLY)

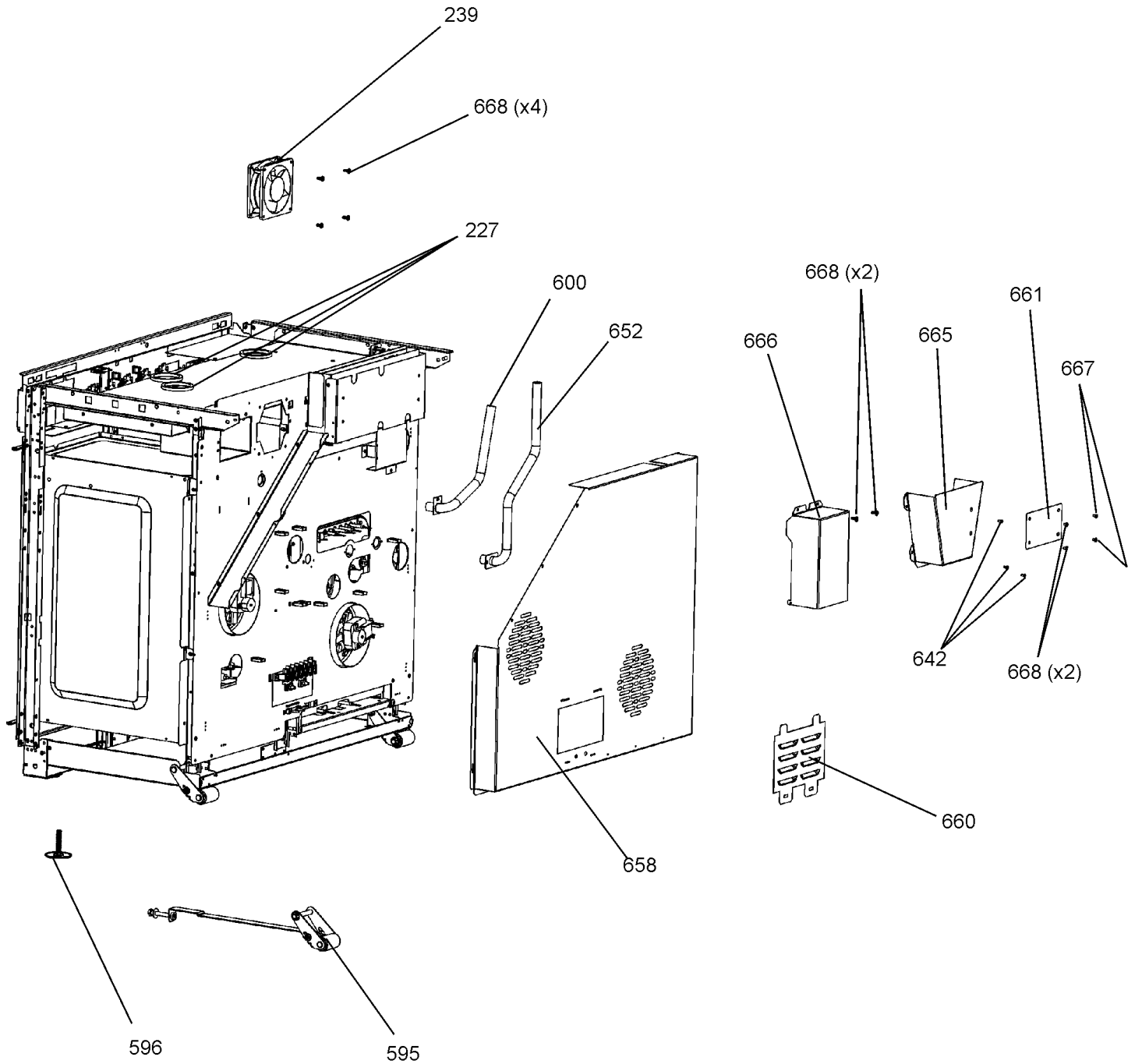


TOLEDO 90 INDUCTION FROM SERIAL NUMBER 158000

DATE 15.11.12

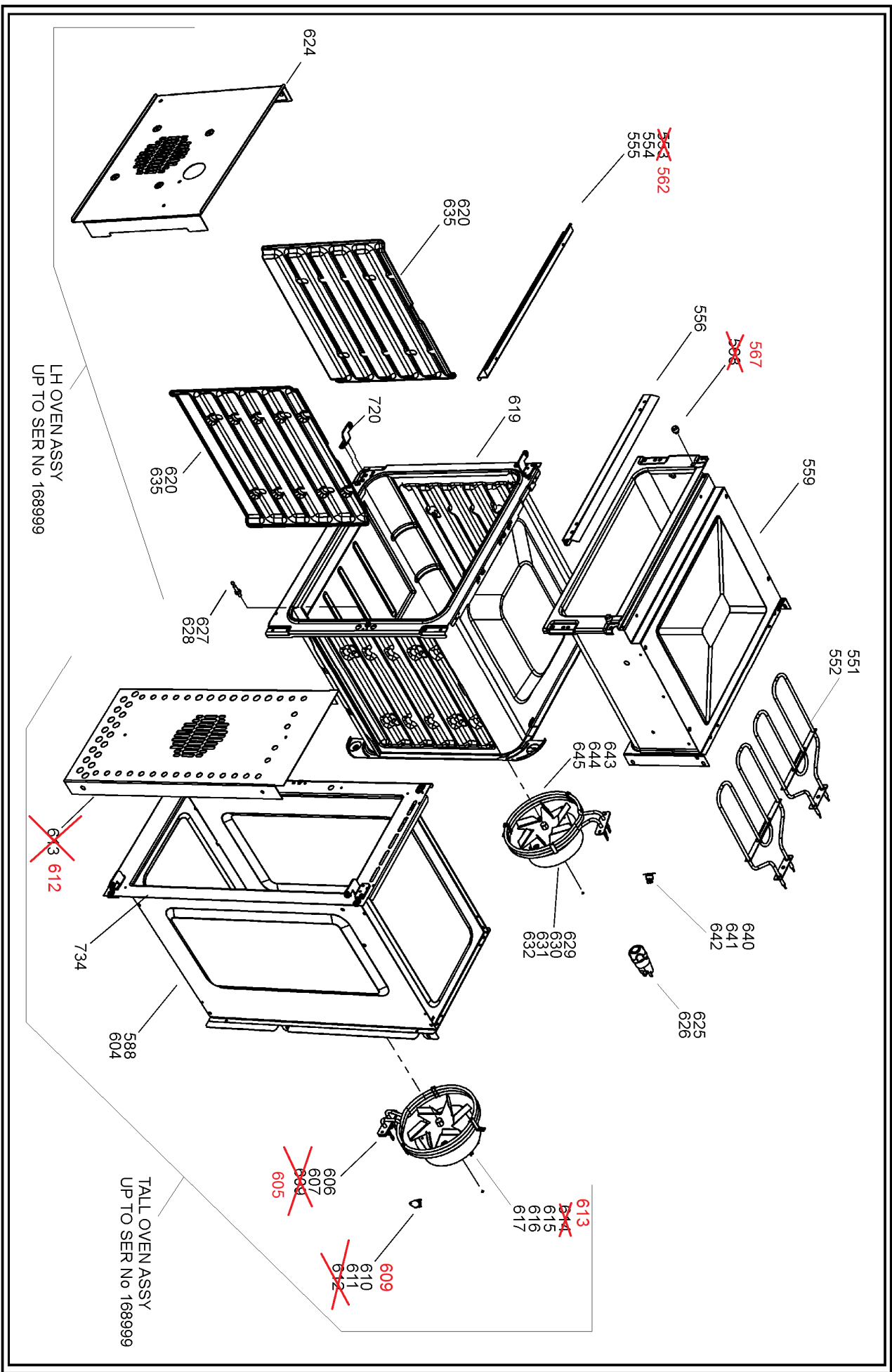
DSL0396 P03C
ISSUE STATUS 01

(UK & EU COOKERS ONLY)



TOLEDO 90 INDUCTION

DSL0396 P04
 DATE 18.02.14 ISSUE STATUS 03



TOLEDO 90 INDUCTION

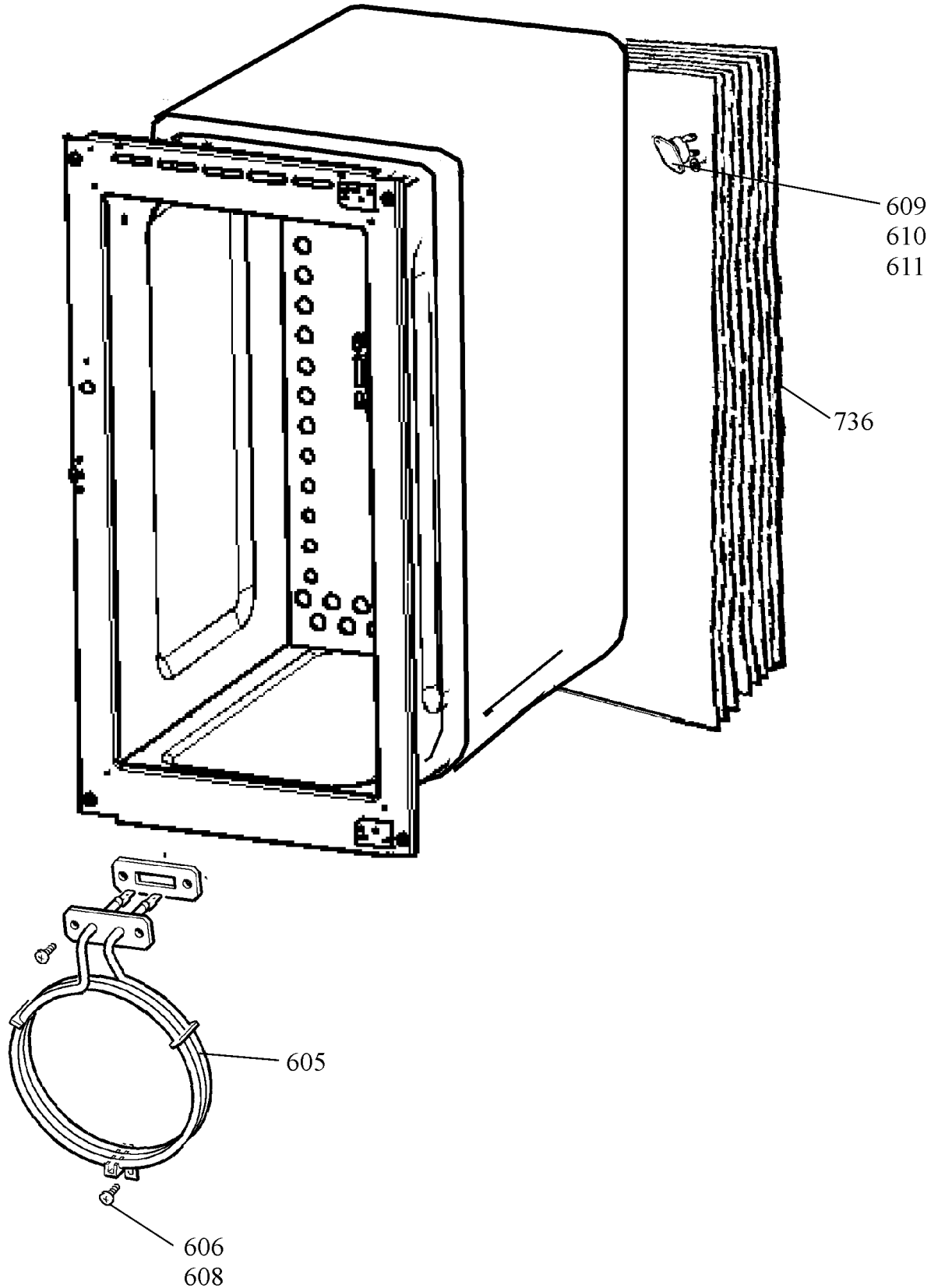
UP TO SERIAL NUMBER 168999

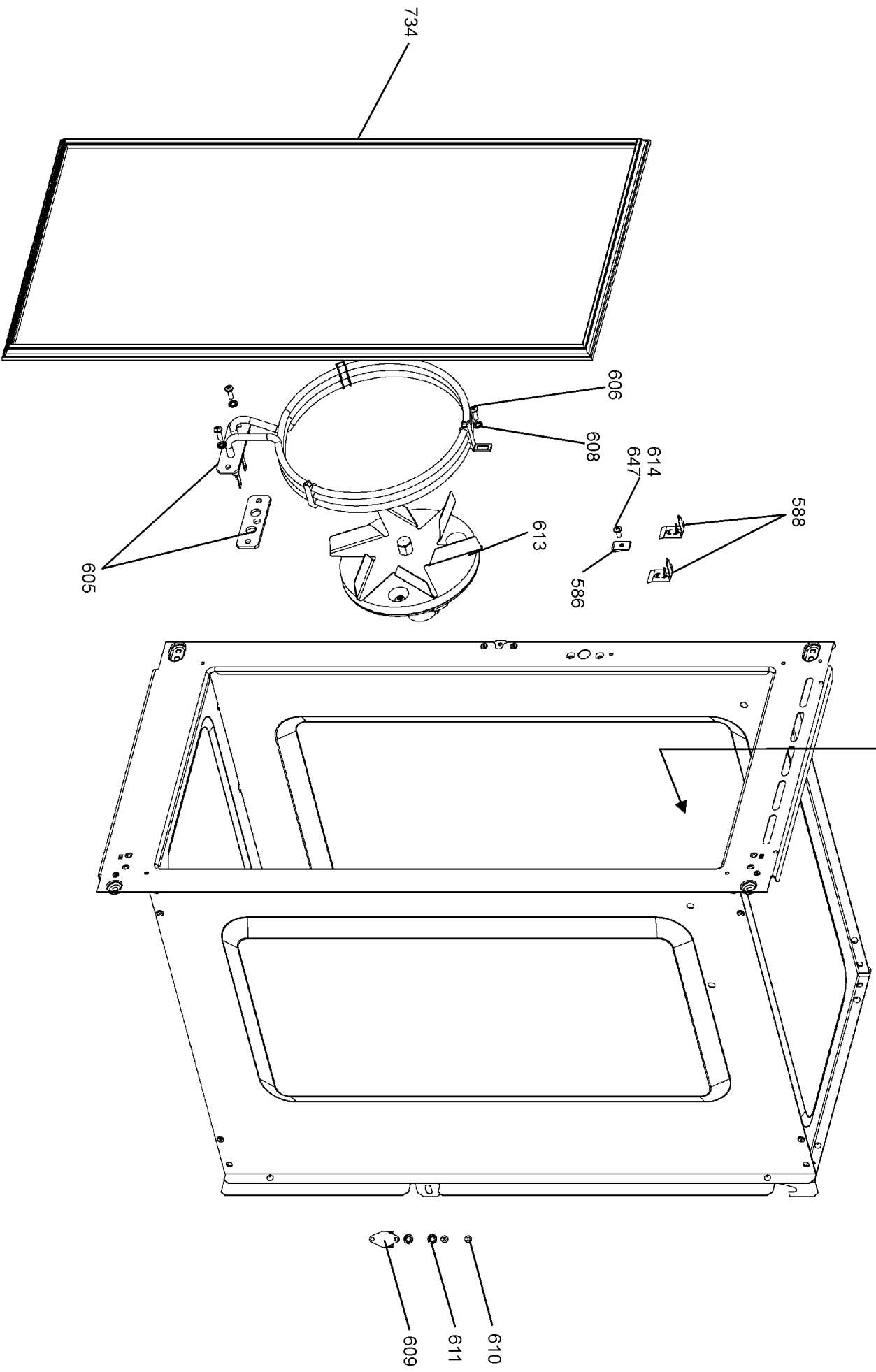
DATE 18.02.14

DSL0396 P04A

ISSUE STATUS 01

(FOR ASSEMBLY FROM SERIAL
NUMBER 169000, SEE PAGE 04B)





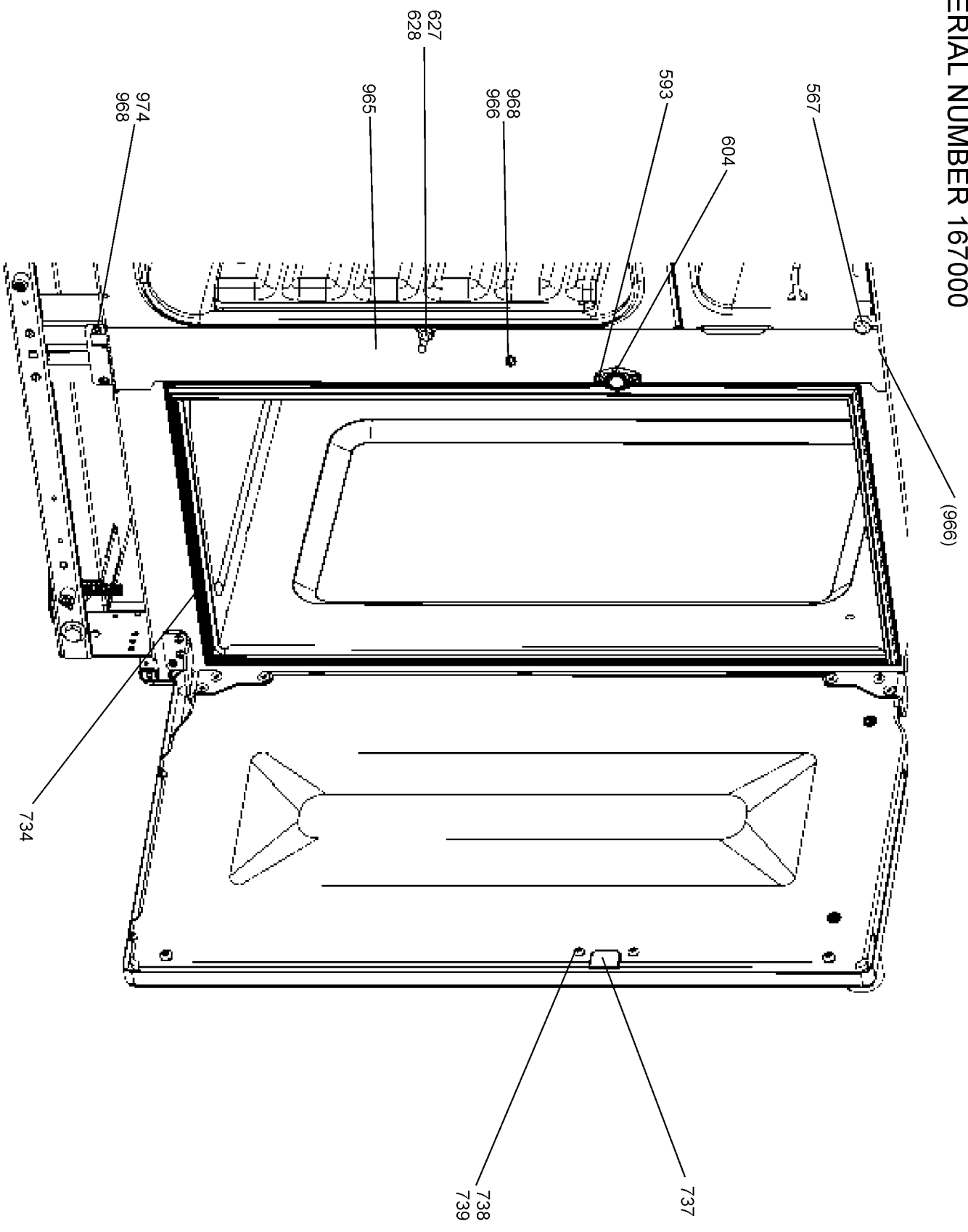
TOLEDO 90 INDUCTION

FROM SERIAL NUMBER 167000

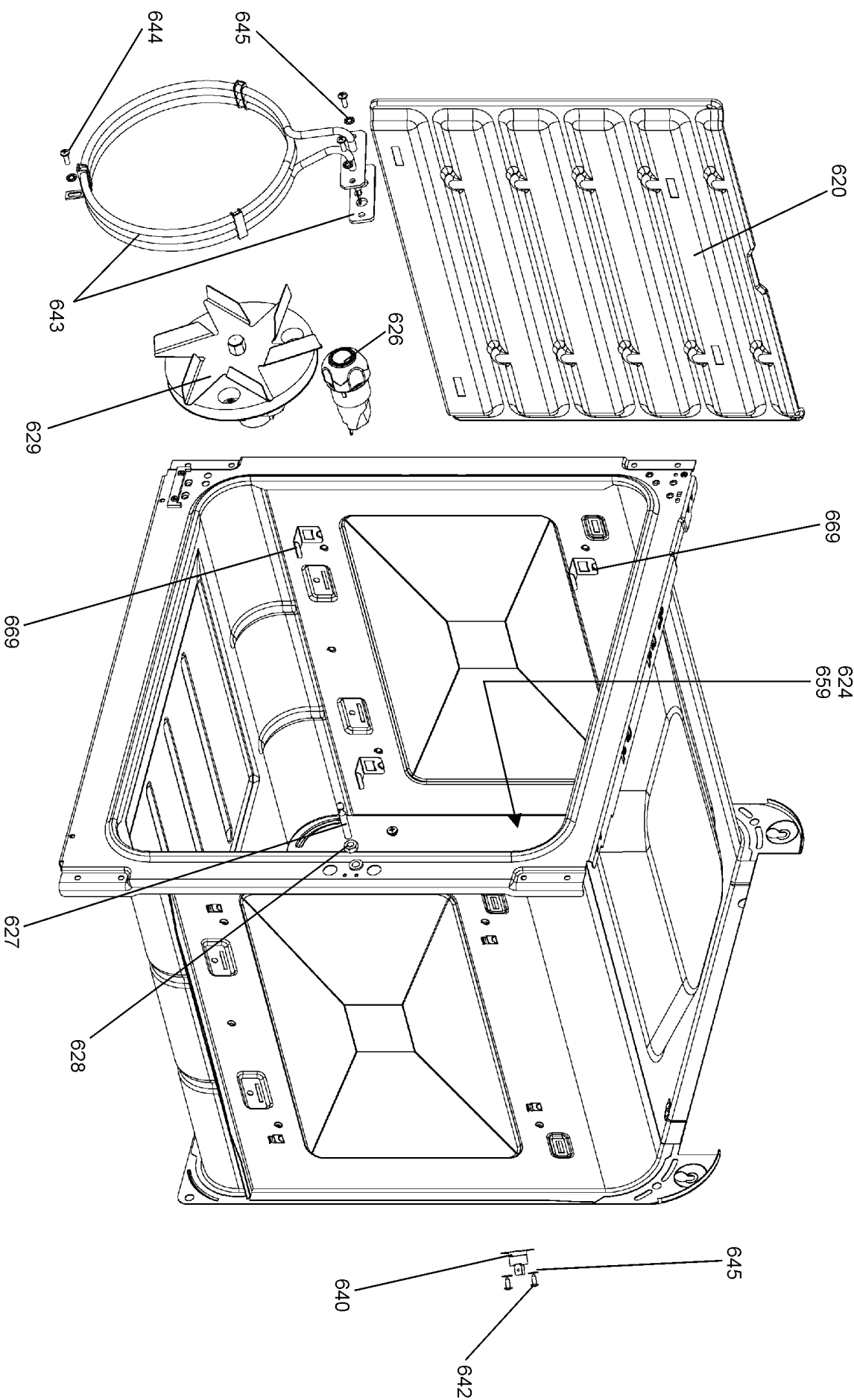
DATE 18.02.14

DSL0396 P04C

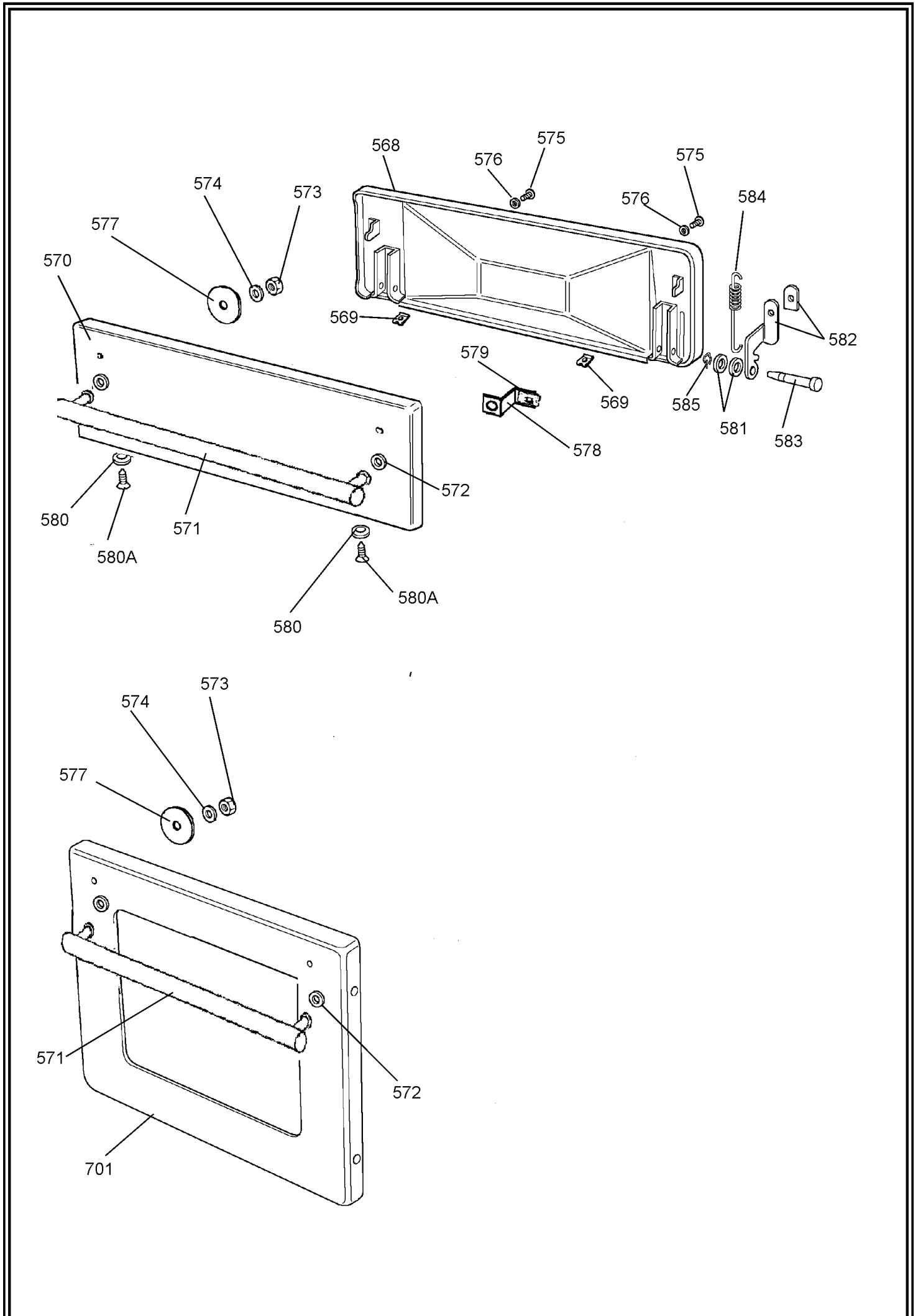
ISSUE STATUS 01

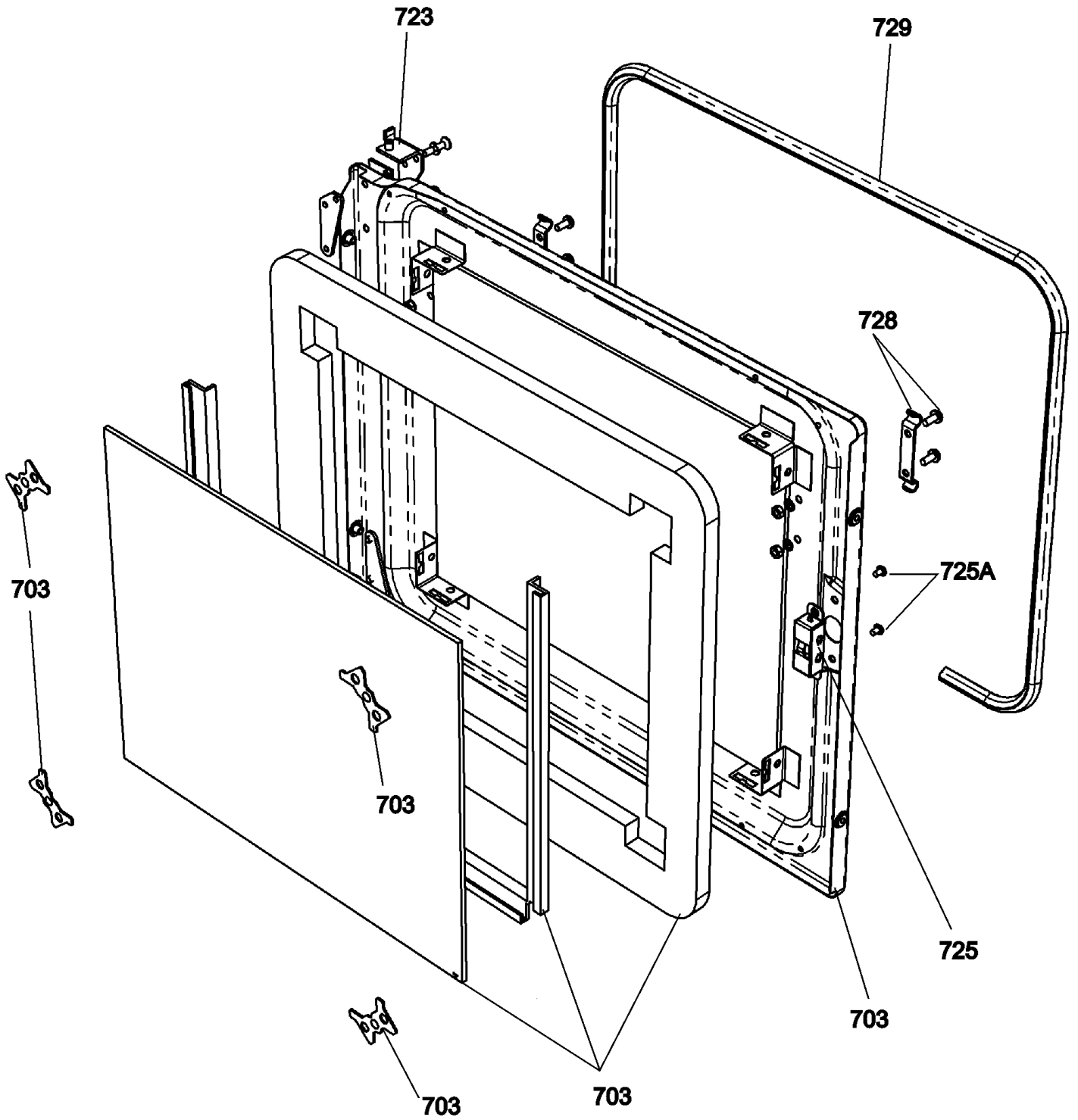


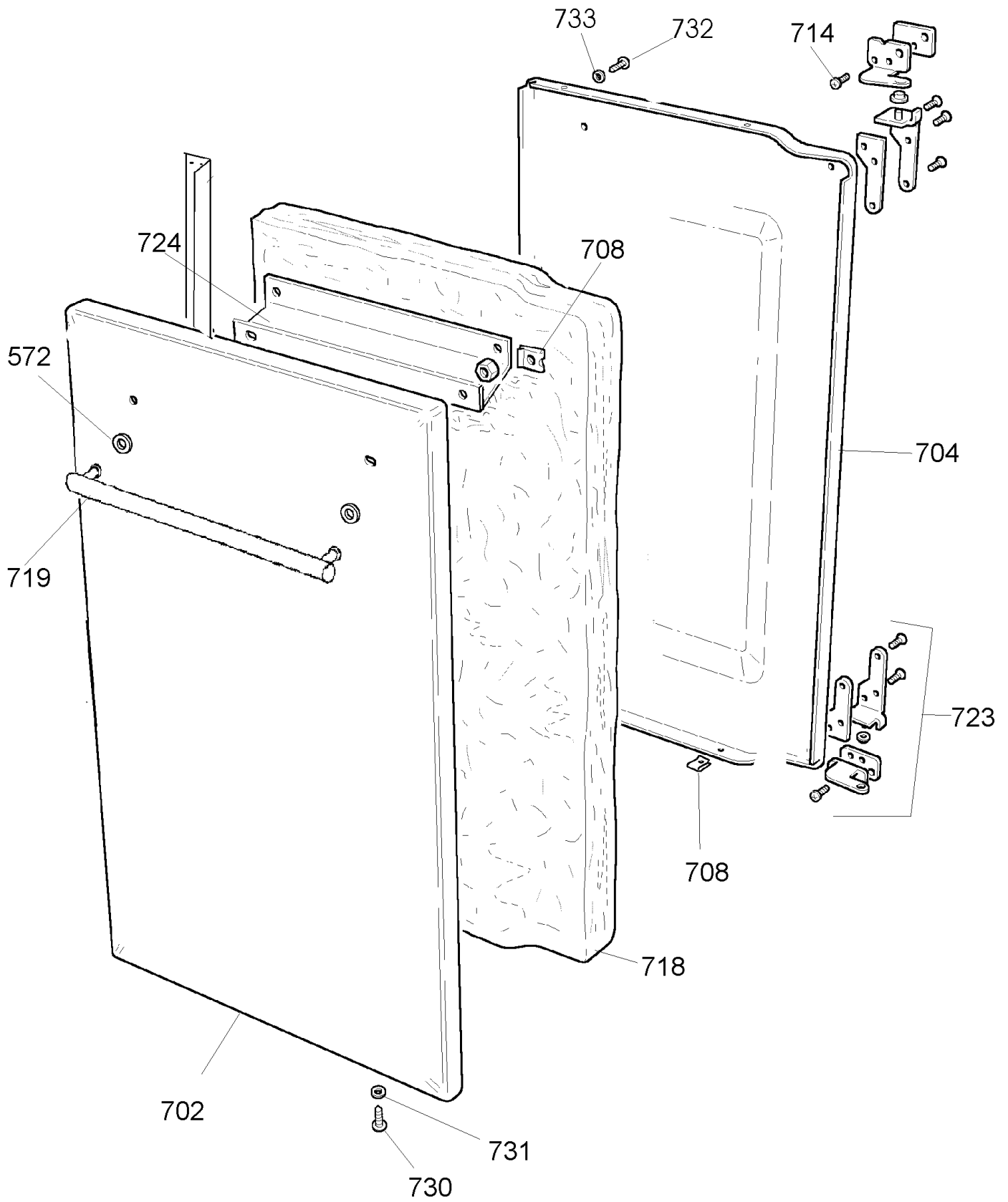
FROM SERIAL NUMBER 169000

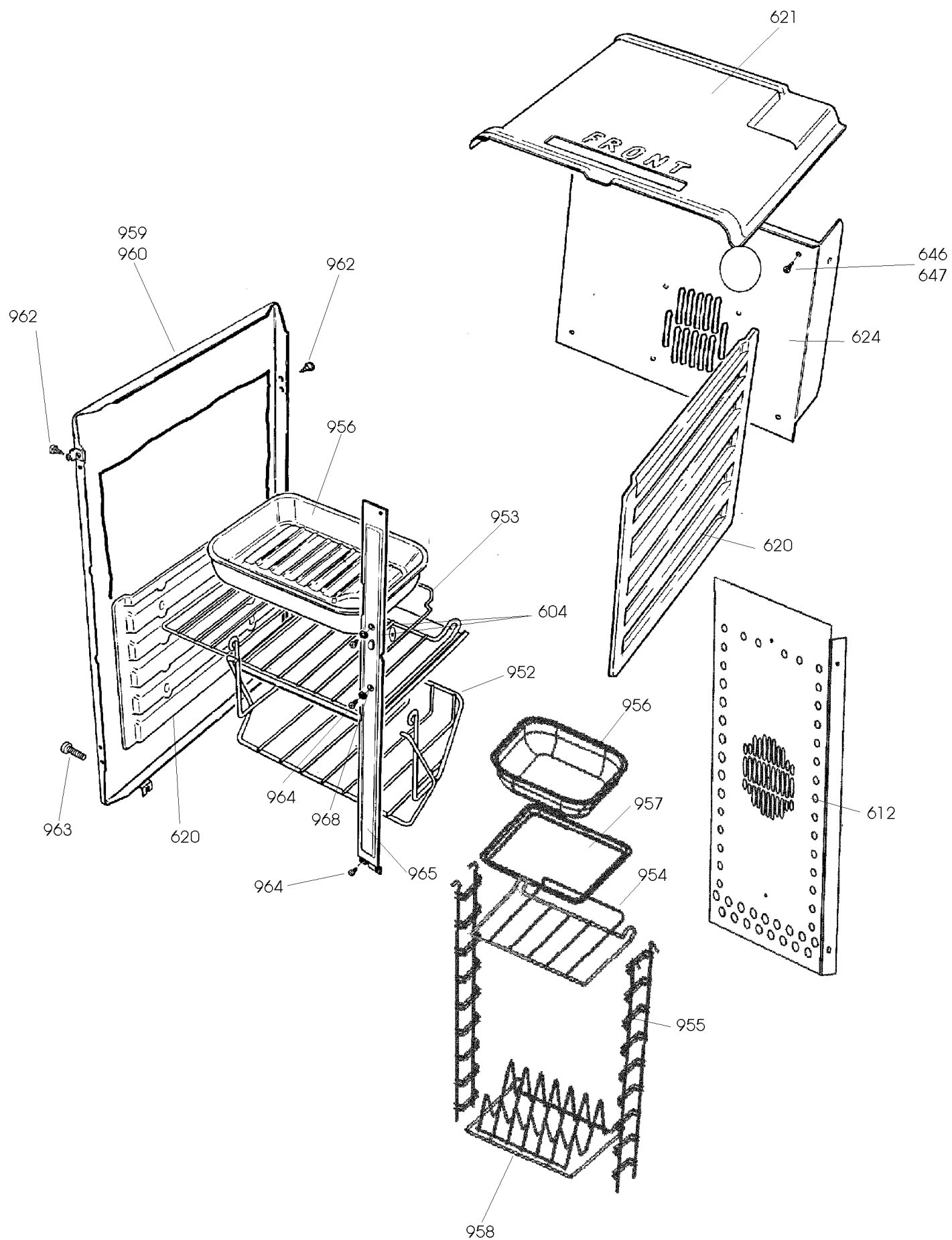


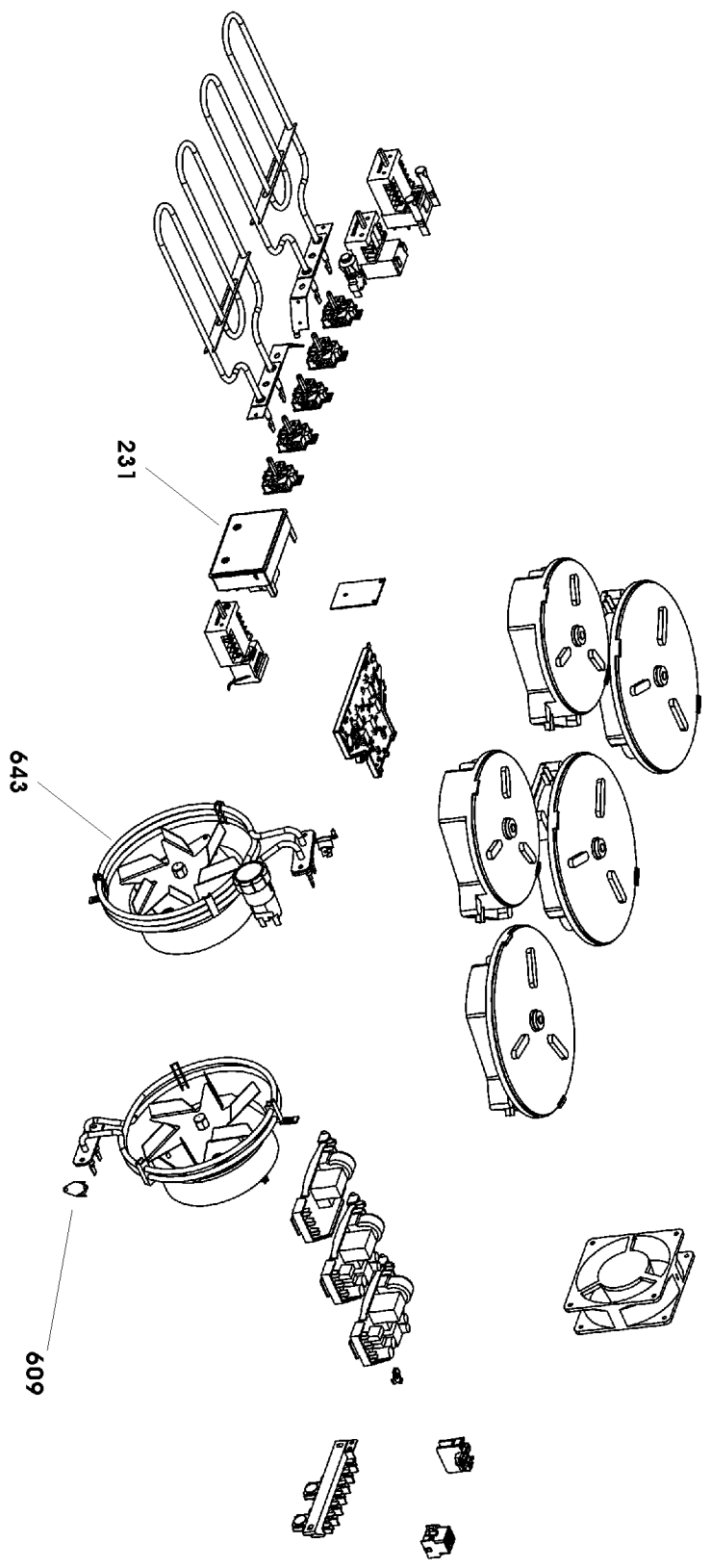
LH OVEN (FAN + LIGHT)

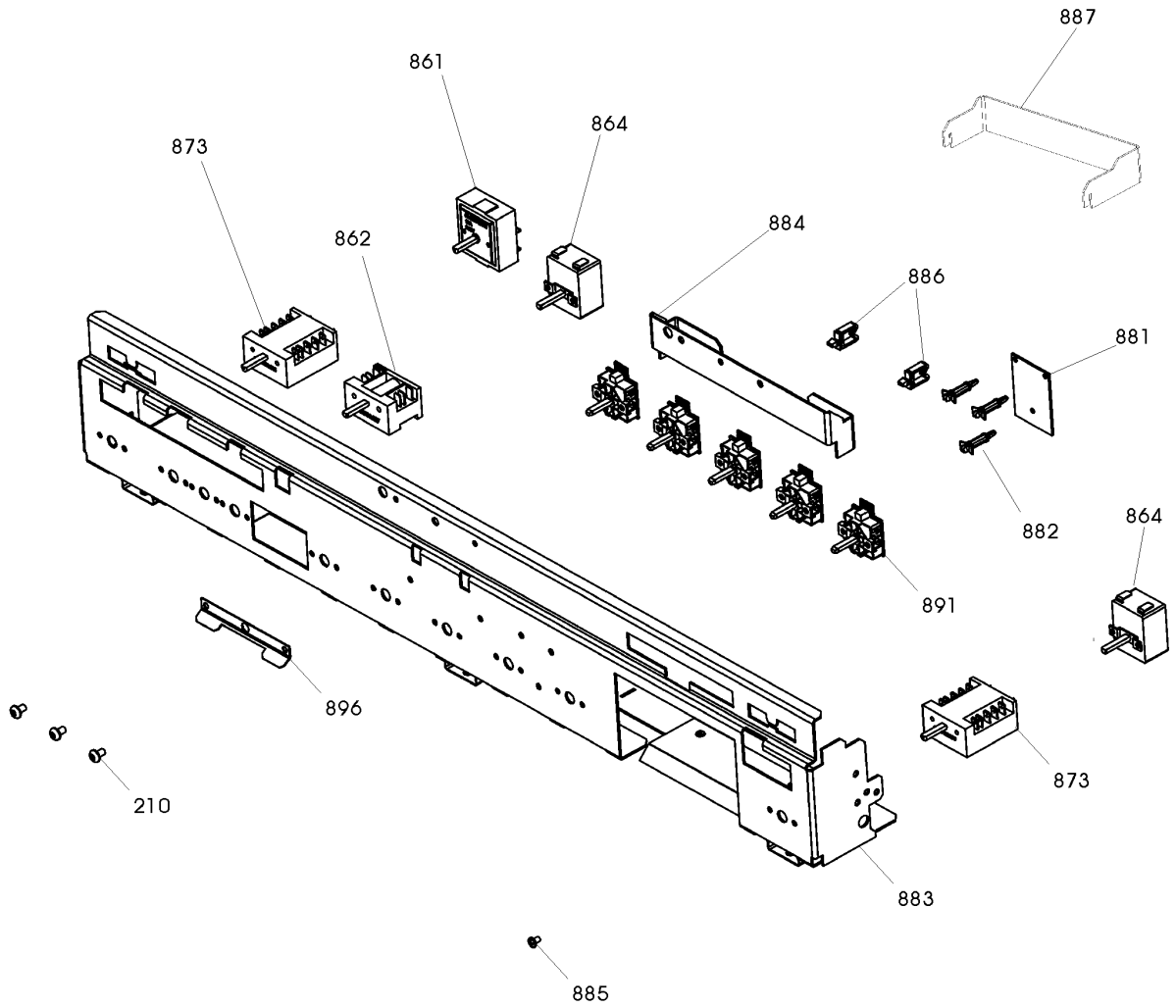












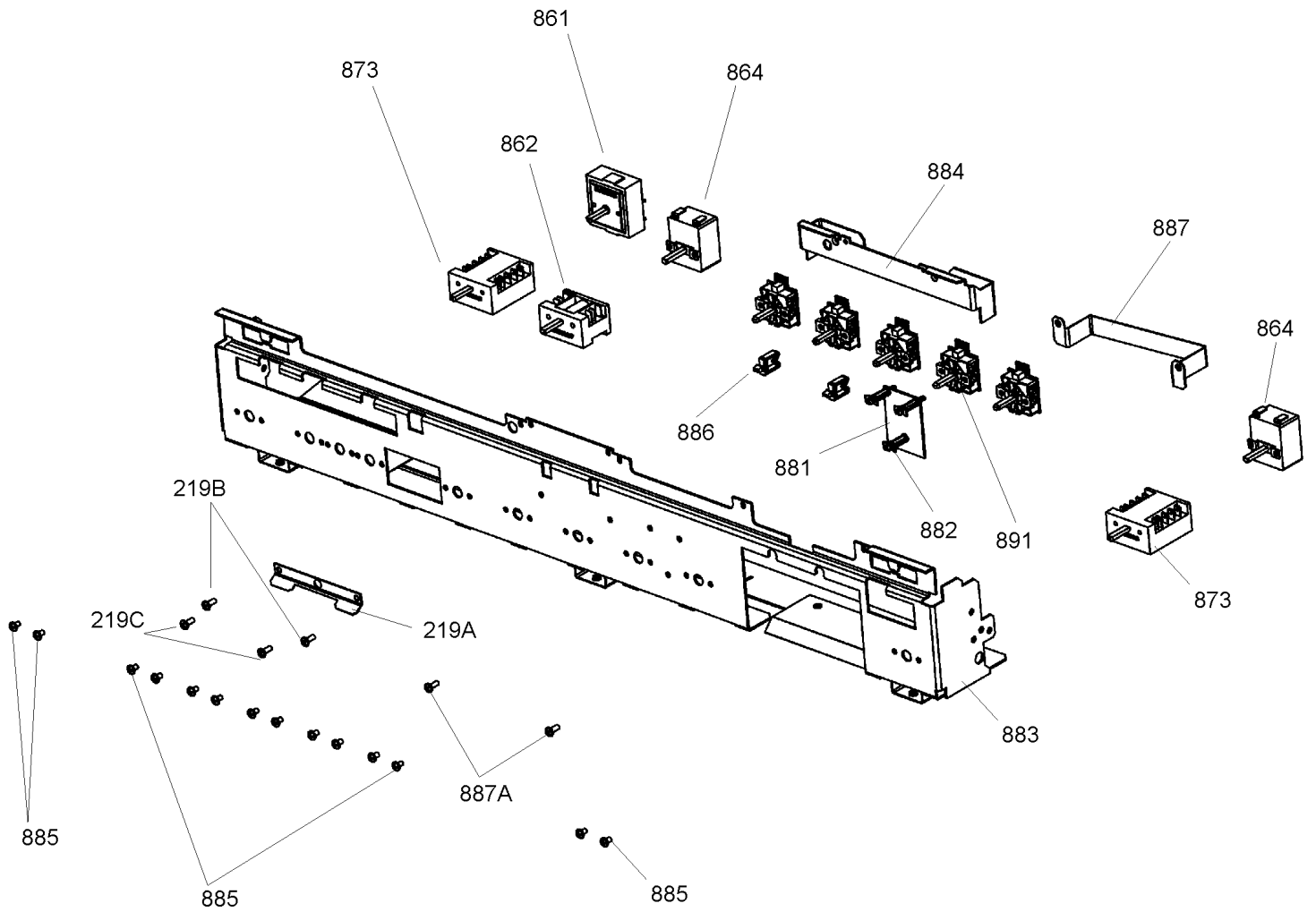
TOLEDO 90 INDUCTION

DATE 15.11.12

DSL0396 P10A

FROM SERIAL NUMBER 150000
UK & EU COOKERS UP TO SERIAL NUMBER 157999
AUSTRALIAN COOKERS

ISSUE STATUS 03

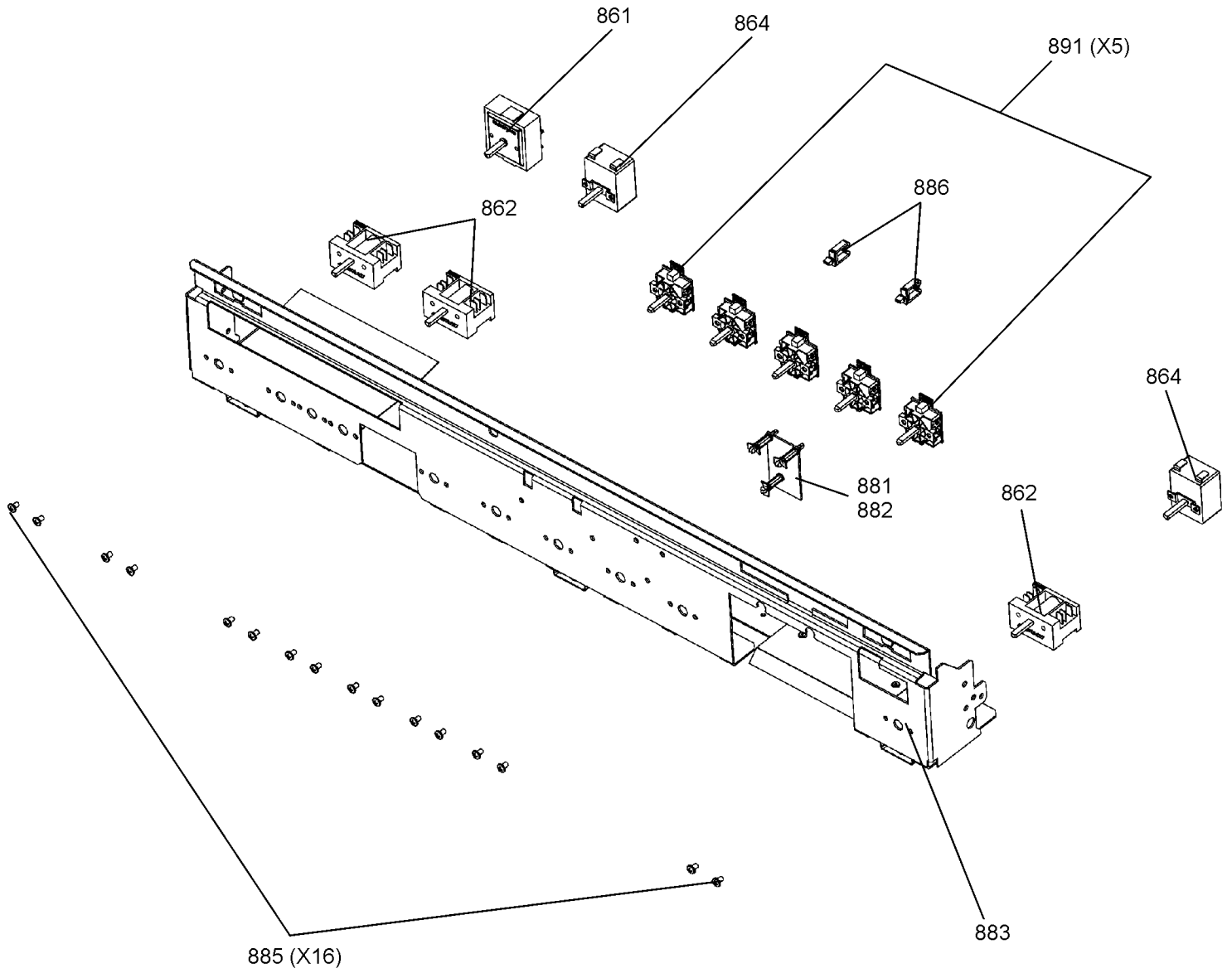


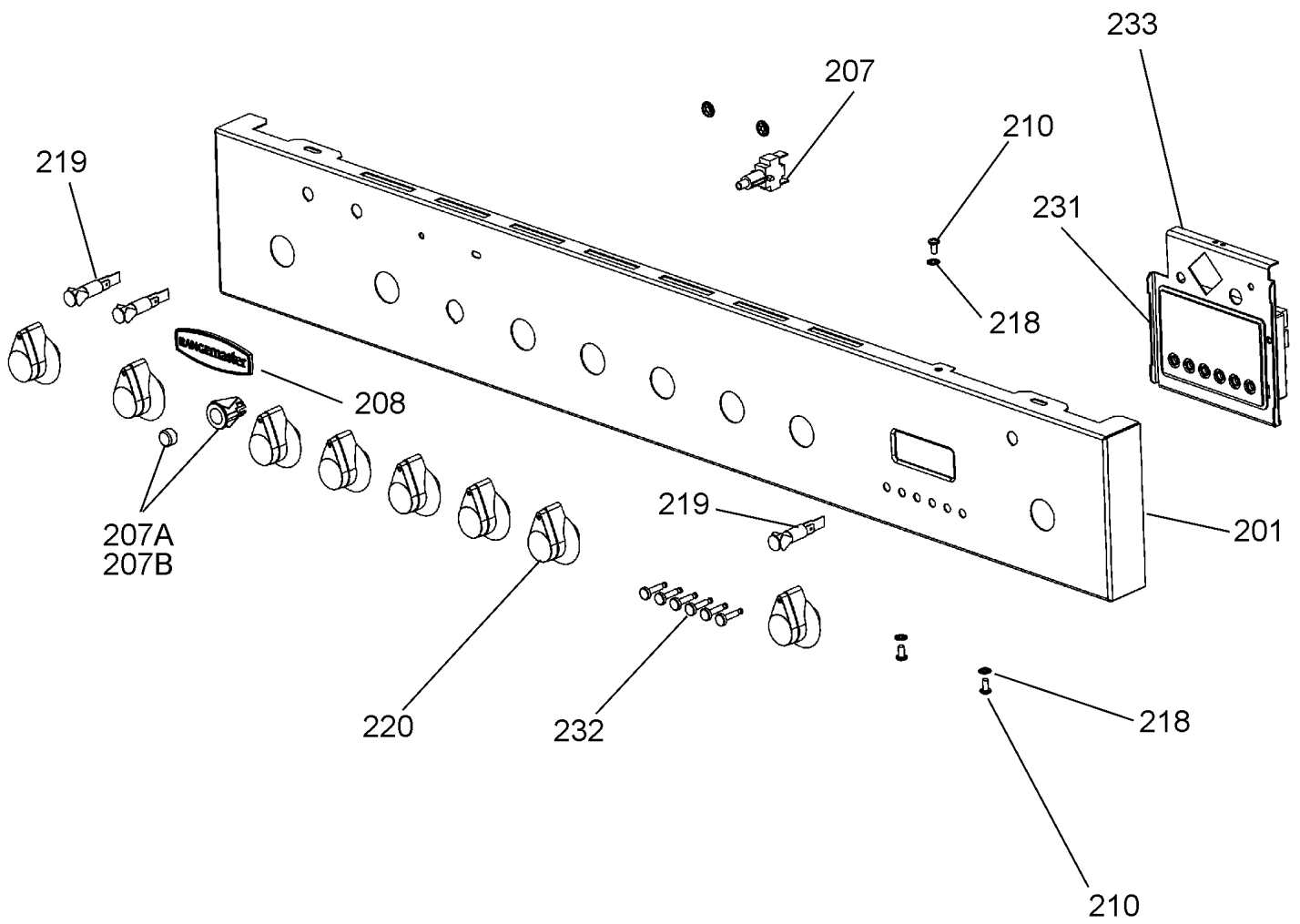
TOLEDO 90 INDUCTION
FROM SERIAL NUMBER 158000

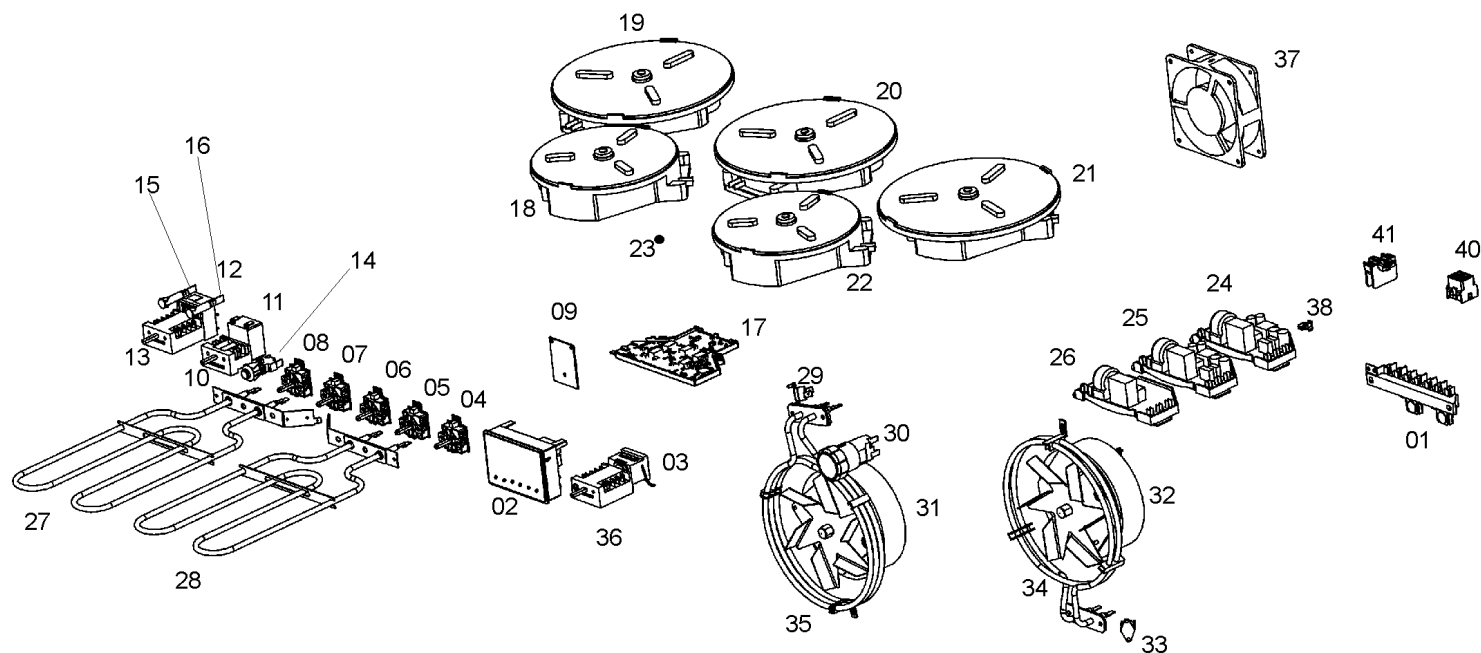
DATE 15.11.12

DSL0396 P10B
ISSUE STATUS 01

(UK & EU COOKERS ONLY)







Ref	Harness	Description	Qty	Connects	Components								
853	P045282	Grill Wire Harness	1	12	15	27	28						
854	P045283	LH Oven Harness	1	01	14	30	12	10	31	11	35	13	16
855	P045284	PE Harness	1	01	27	28	30	35	34				
856	P045285	Neutral Link	1	01	30	31	29						
857	P045286	Cooling Fan Neutral Harness	1	01	37	41							
858	P045287	LH Oven_Cooling Fan Activation Harness	1	02	10	36	13						
859	P045288	Cooling Fan Activation Harness_RH Oven Switch	1	36	41								
860	P045289	Bulk Head to Terminal Block Harness	1	01	40								
892	P045290	Bulk Head to Connection Unit Harness	1	40	24	25	26	23					
893	P045410	CU to IHE Left Hand Pair	1	18	19	24							
863	P045411	CU to Centre IHE	1	20	25								
894	P045412	CU to Right Hand Pair	1	21	22	26							
865	P045292	LIN Bus Wire IHE_Interconnect Wire	2	24	25	26							
866	P043934	LIN Bus Wire IHE_Interconnect Wire	3	18	19	20	22	26					
867	P043935	LIN Bus Wire IHE_Interconnect Wire	3	09	17	19	21	22					
868	P045291	LIN Bus Wire IHE_Interconnect Wire	1	20	21								
869	P043939	Rotary Control Wire to Interface Board	2	04	08	09							
870	P043936	Rotary Control Wire to Interface Board	2	05	07	09							
871	P043943	PE Connection Unit	3	24	25	26	38						
872	P038909	RH Oven Wiring Harness	1	01	36	32	02	39	03				
895	P027733	Neutral Link RH Oven	1	01	32	33							
874	P037863	LH Oven Swich to Stat	1	10	11								
875	P038186	Link (Triple Reg/Switch)	2	03	36	10	13						
876	P094943	Earth Wire Assembly	2	03	01	11	01						
877	P040066	Link Wire Thermal Trip (Neutral Side)	2	29	35	33	34						
878	P055374	Earth Link Wire Assembly	2	27	28	01							
879	P055344	Link Wire Assembly	2	13	13	12	12						