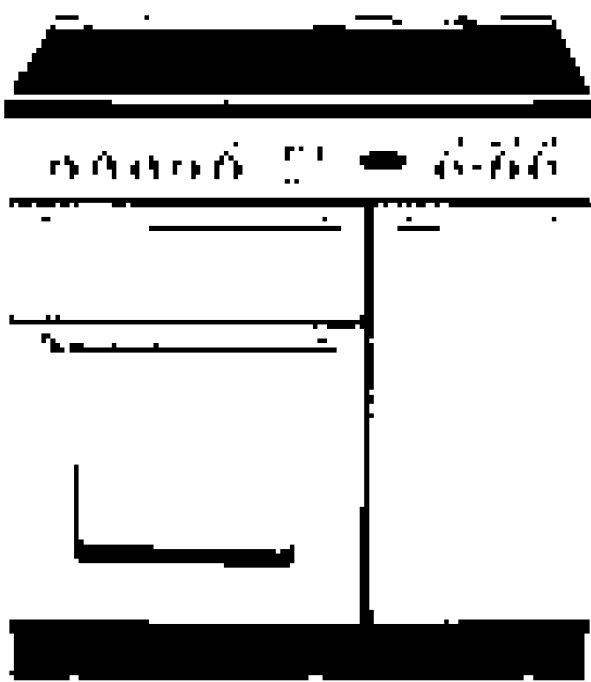
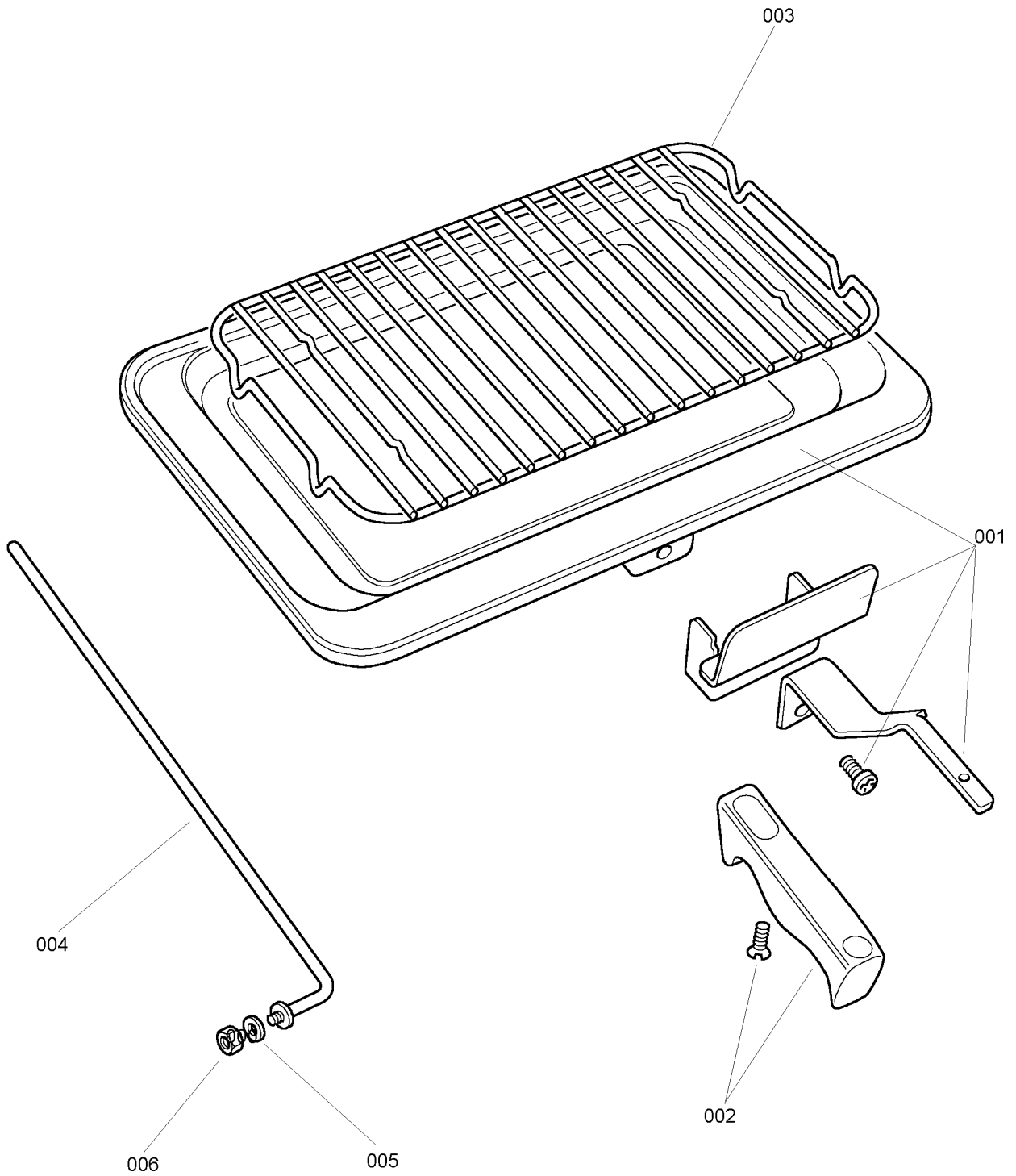


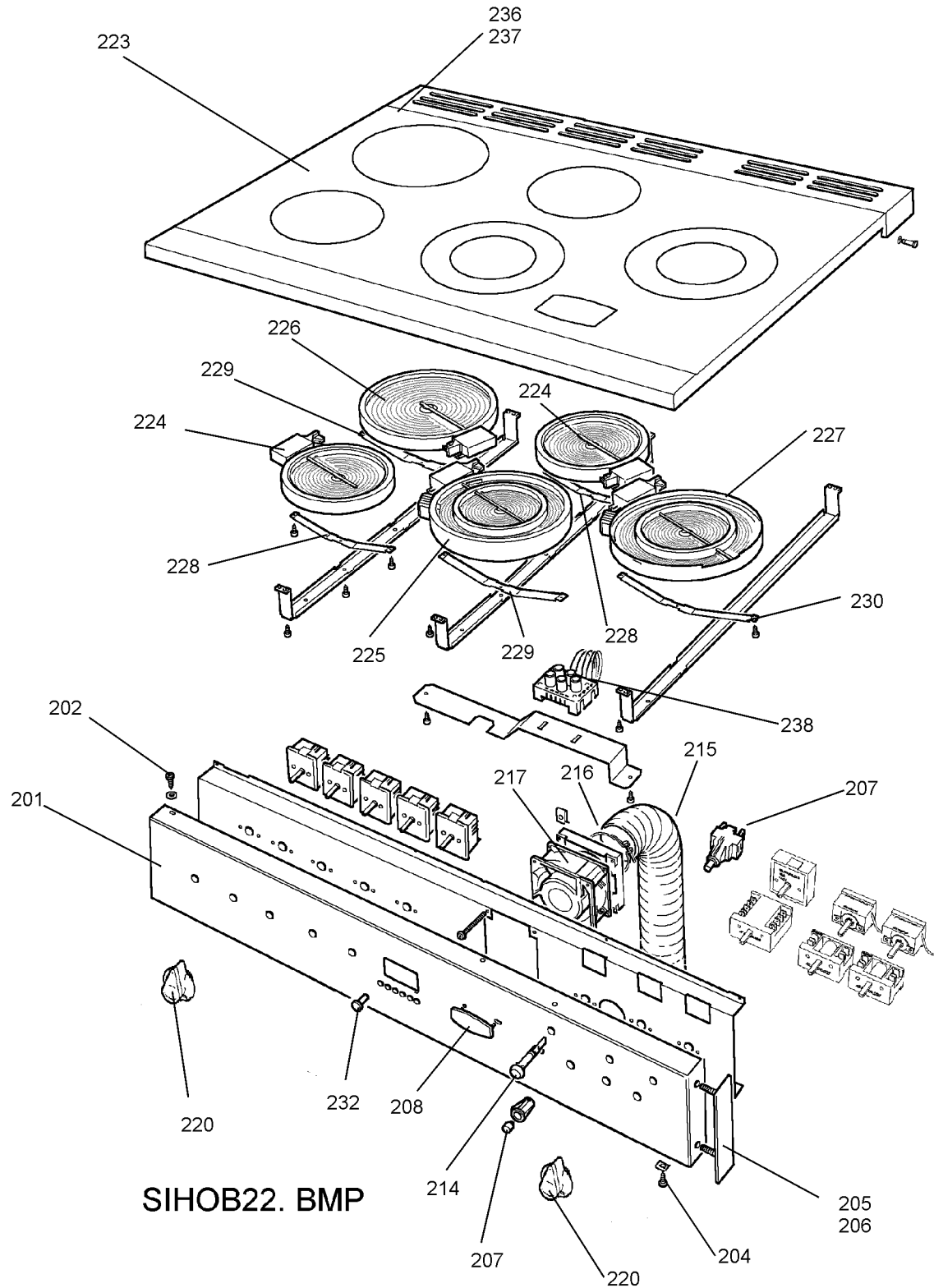
APPLIANCE NAME:
TOLEDO 90 CERAMIC

DATE 29.01.04

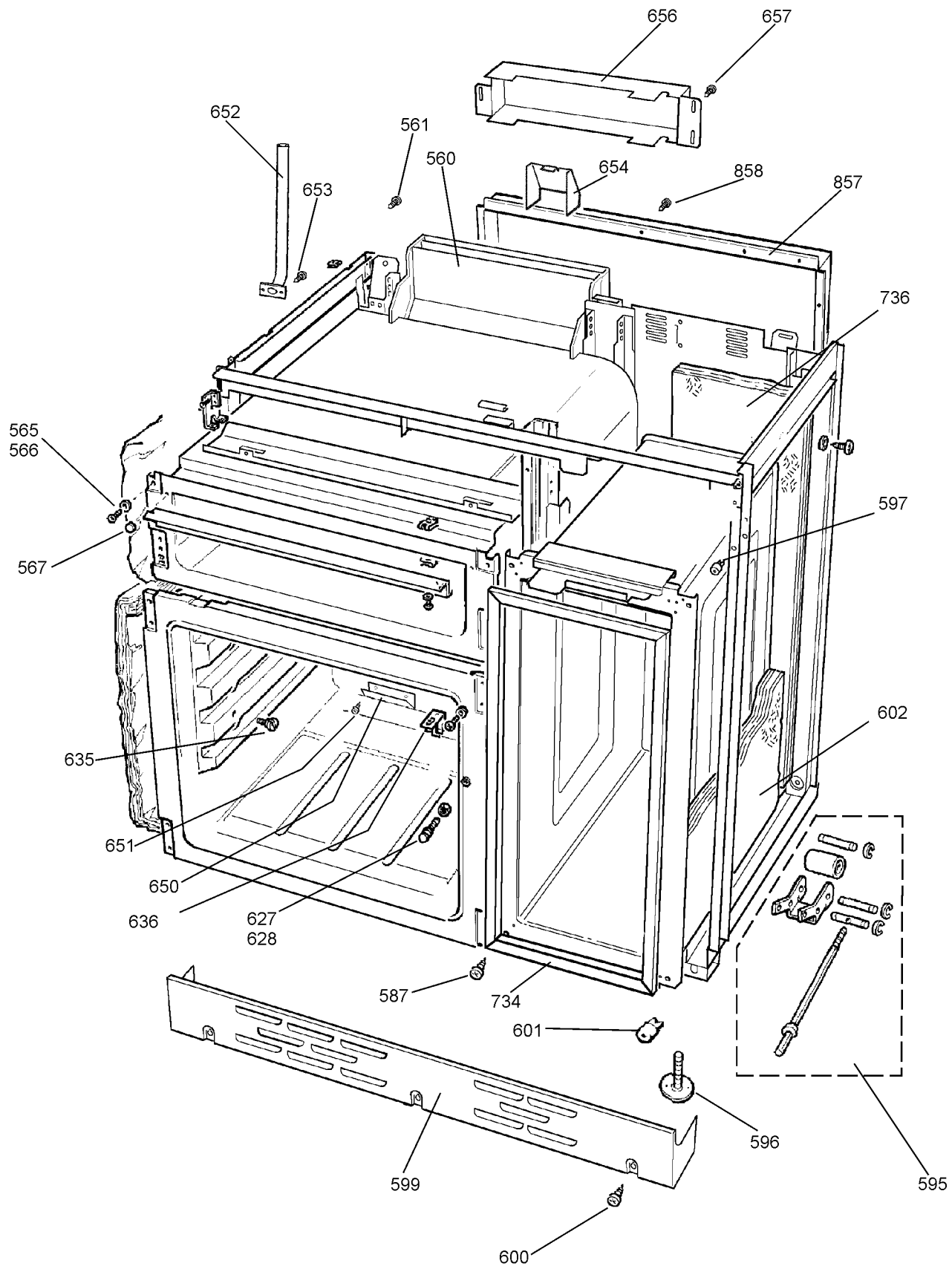
DSL0214 P00
ISSUE STATUS 01

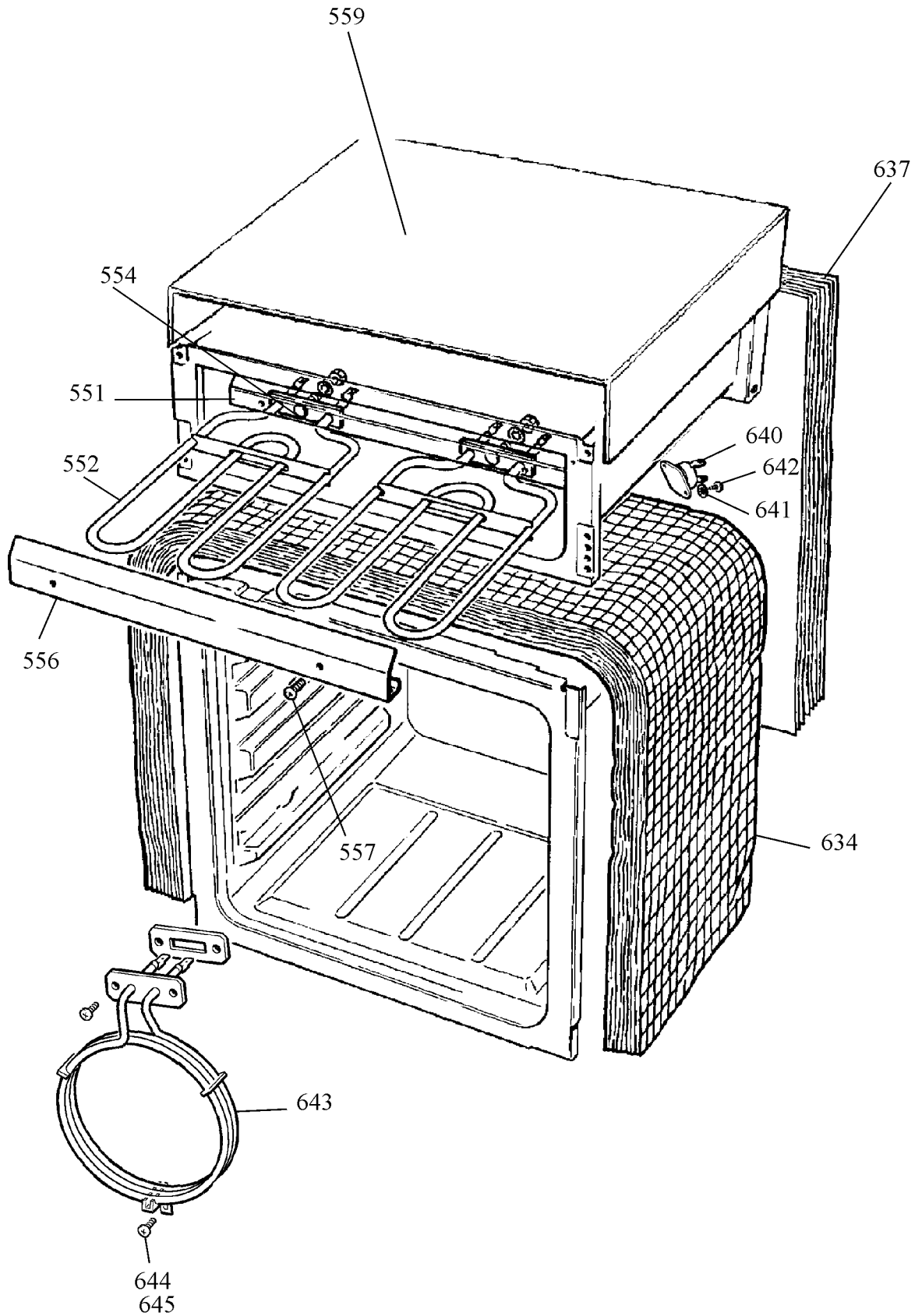


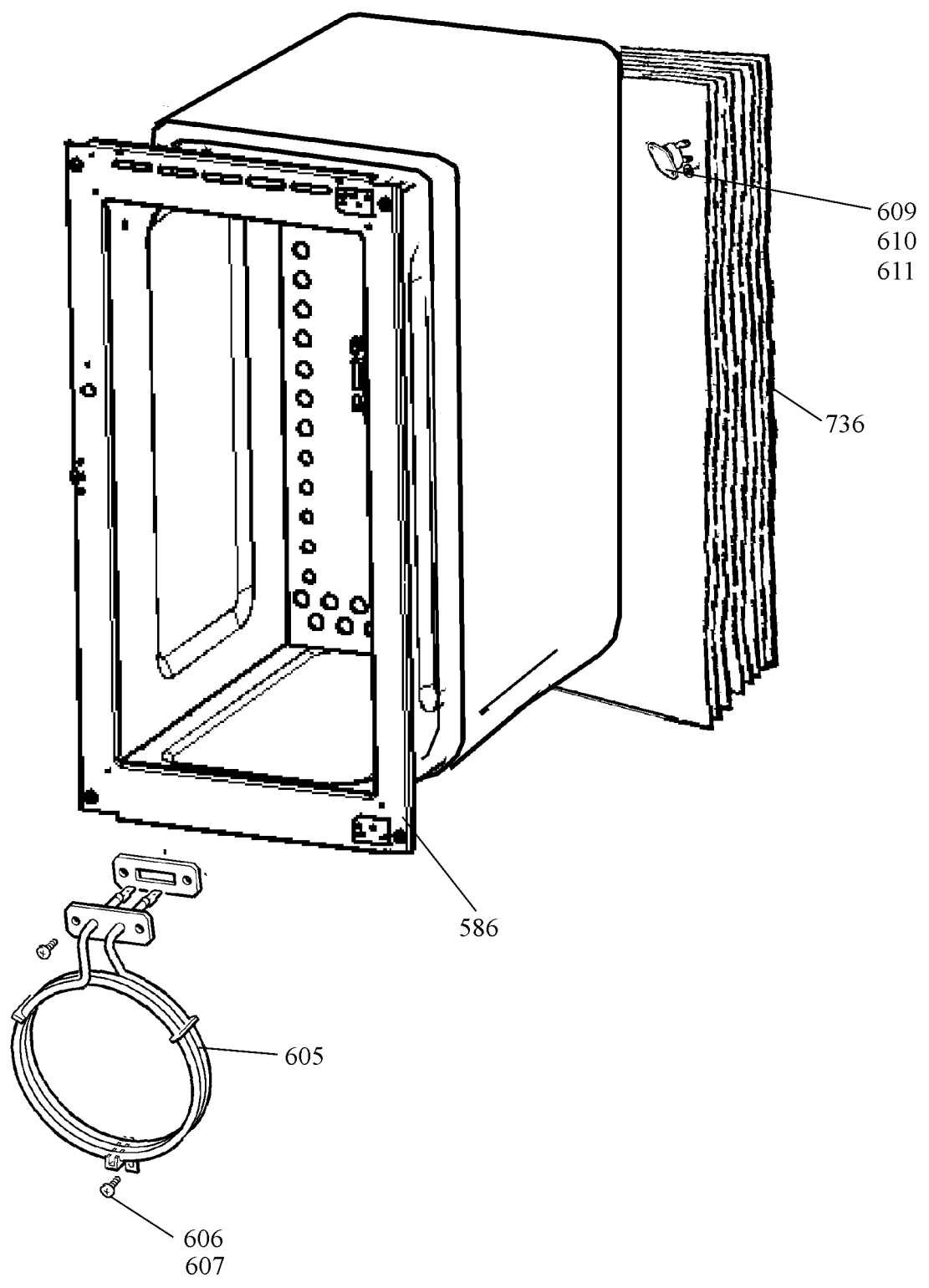


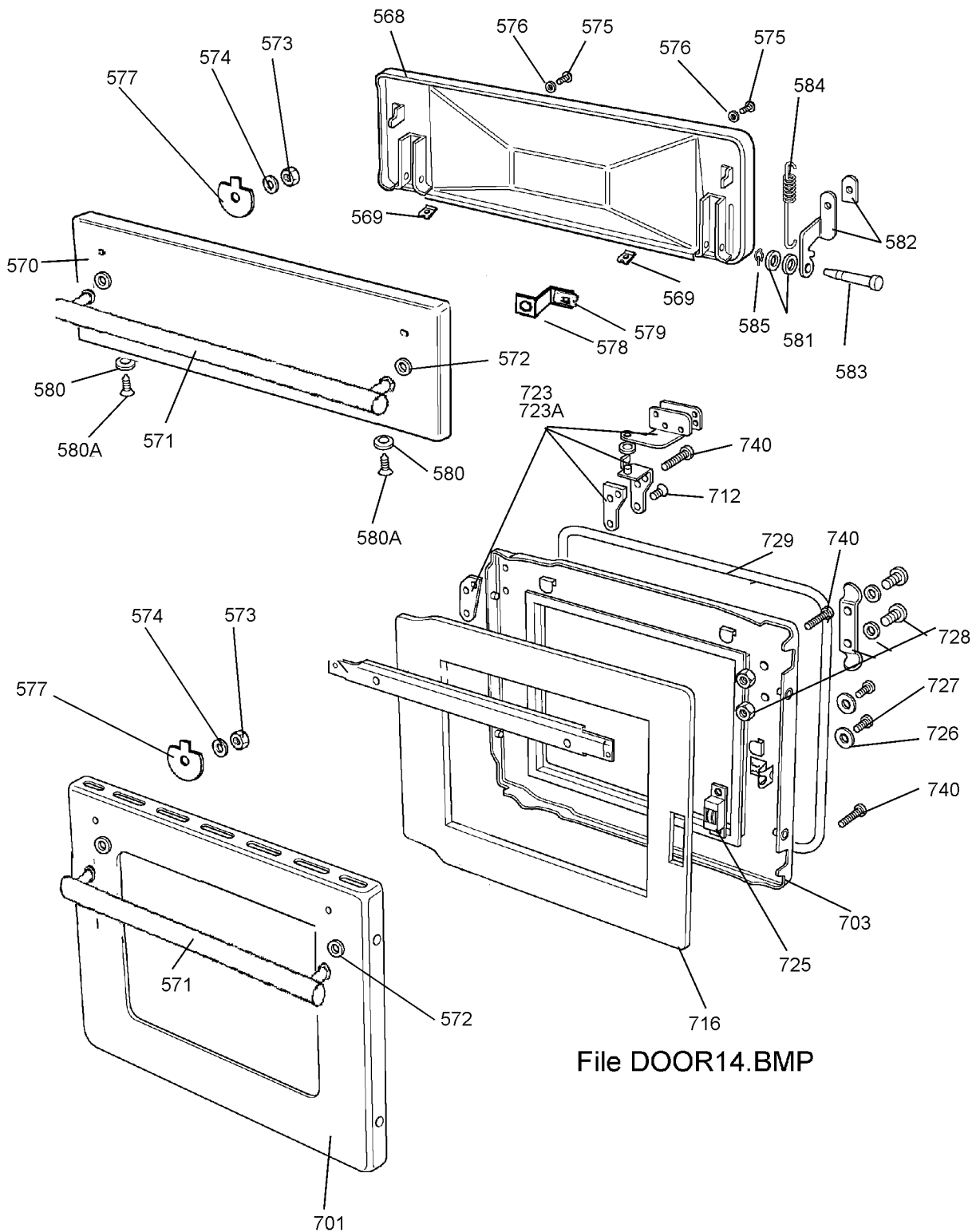


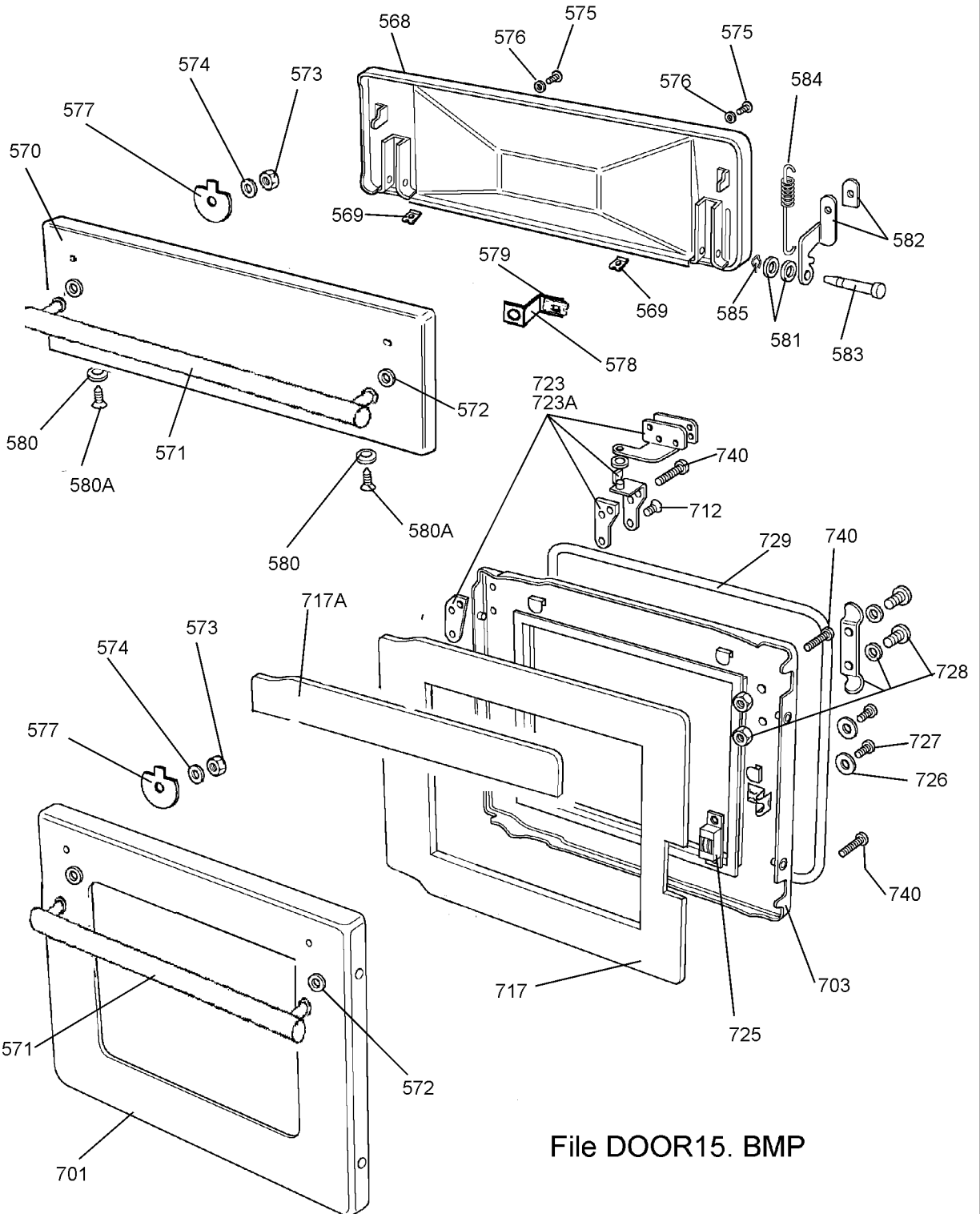
SIHOB22. BMP











File DOOR15. BMP

FALCON TOLEDO (INNER DOOR)

FROM SER No1004 - 7132

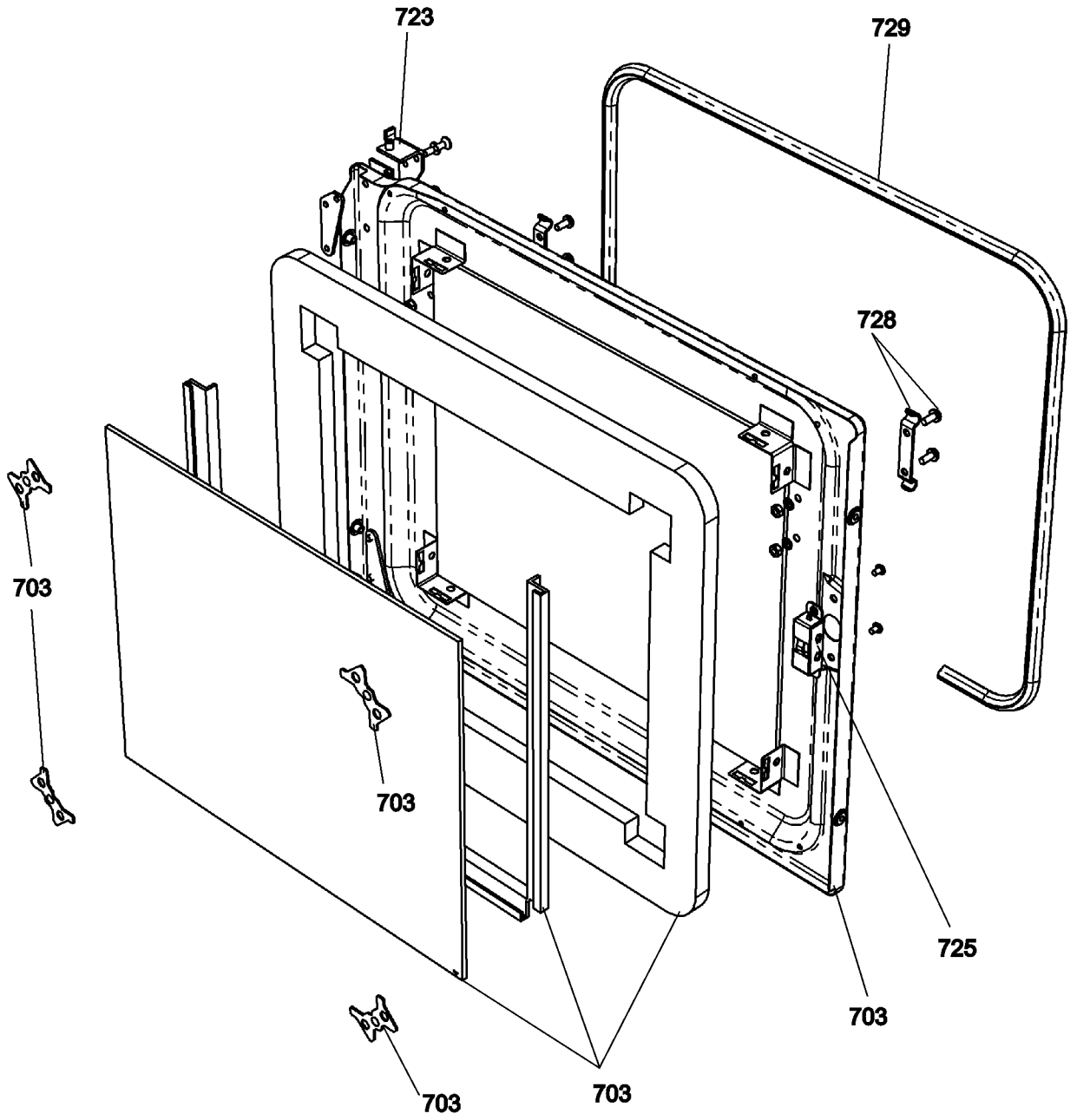
FROM SER No1003 - 7133

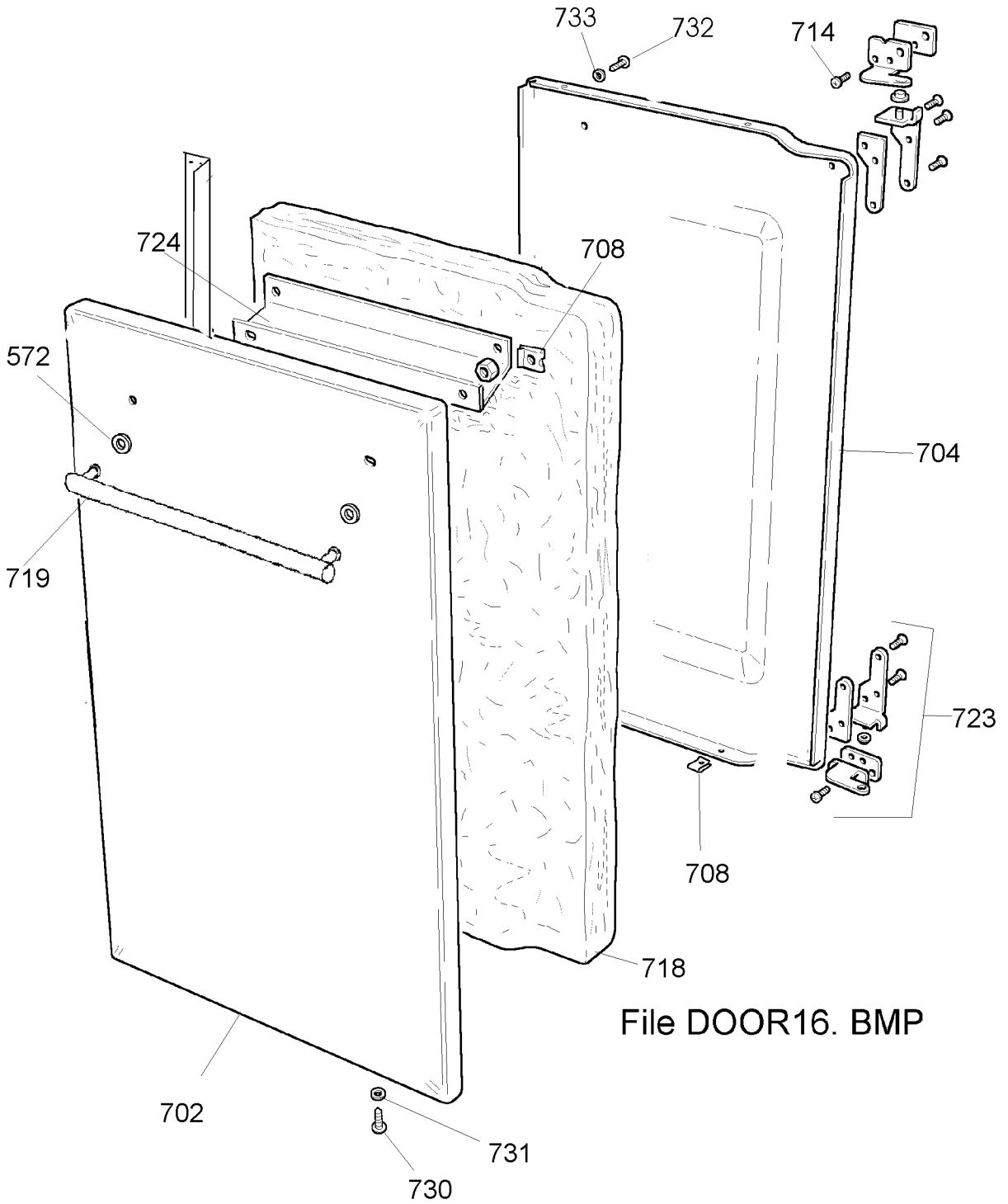
FROM SER No3000 - 7130

FROM SER No10000 - 7131, 7134

DSL0214 P06B

DATE 18.01.08 ISSUE STATUS 02





File DOOR16. BMP

