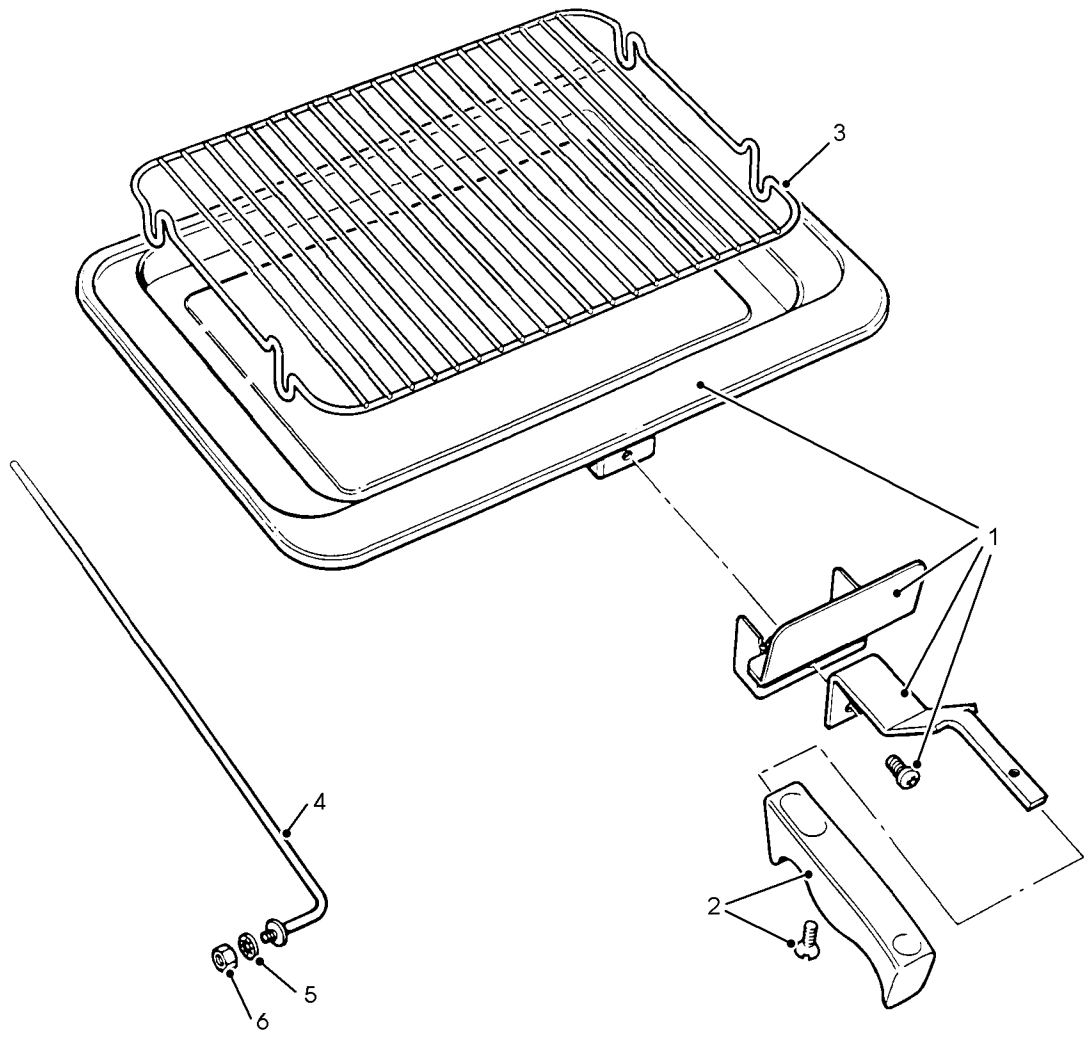
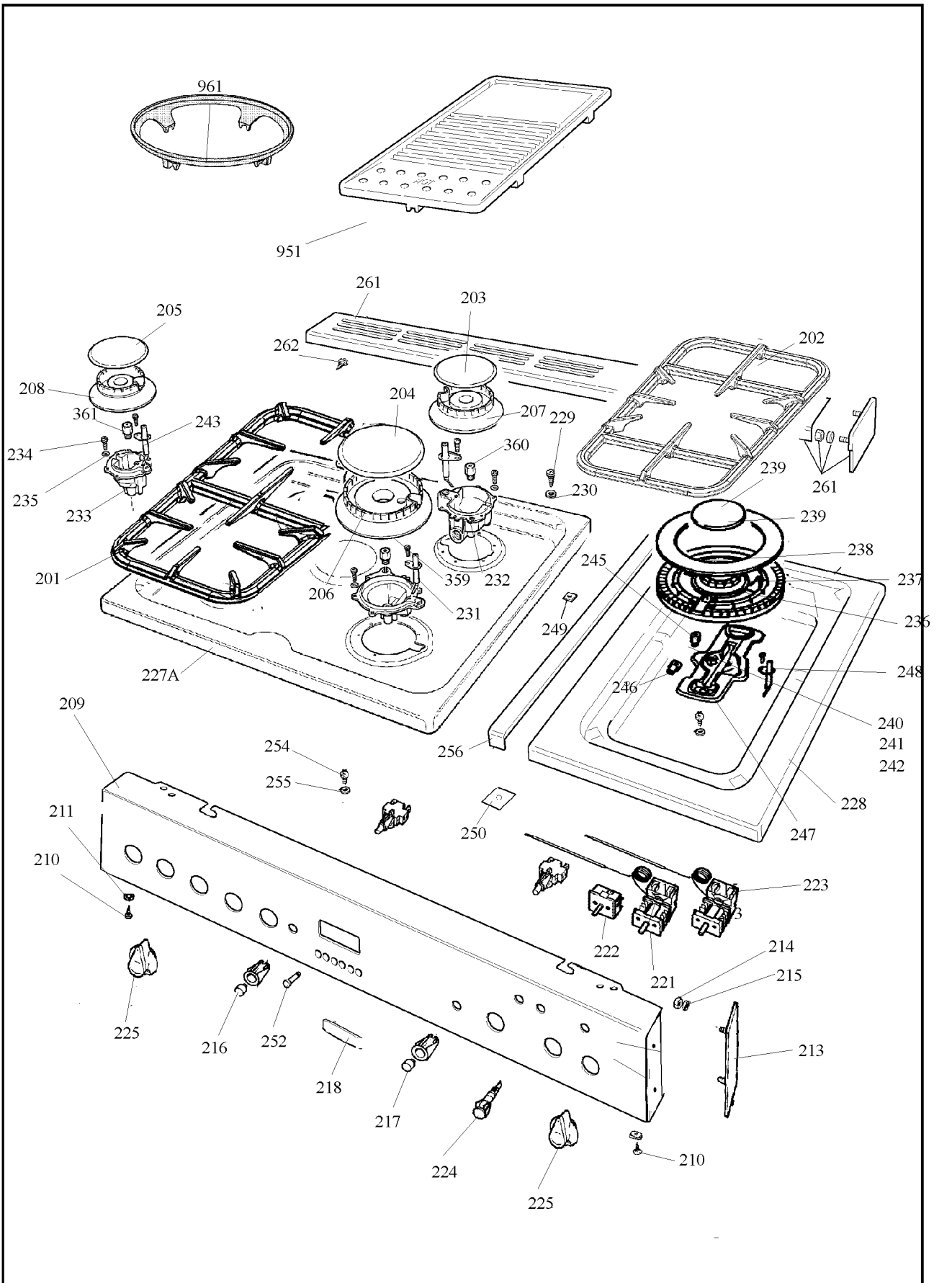


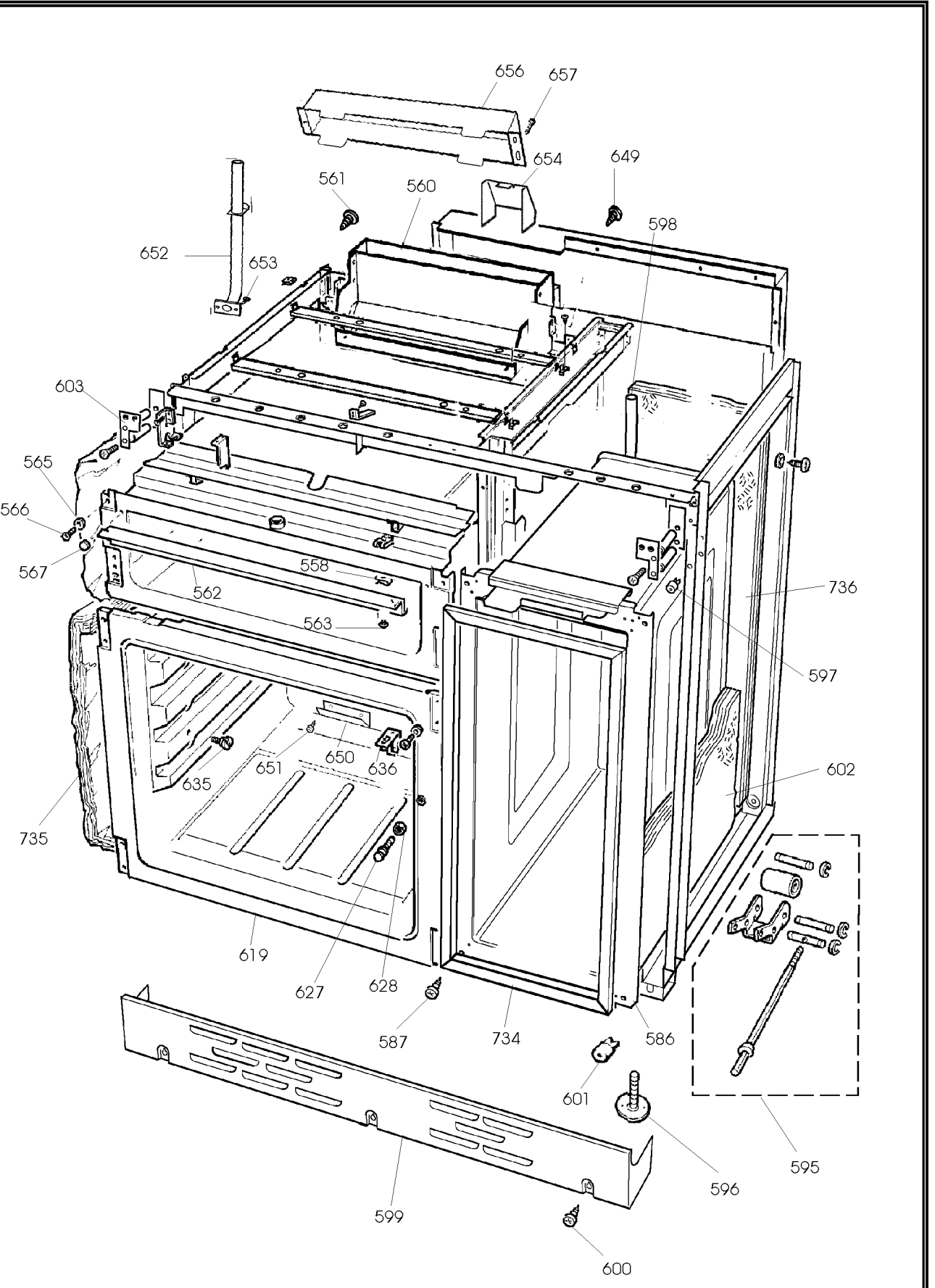
6798, 6799, 6800, 6801, 6898

DSL 183 P00B
DATE 18.03.03 ISSUE STATUS 01





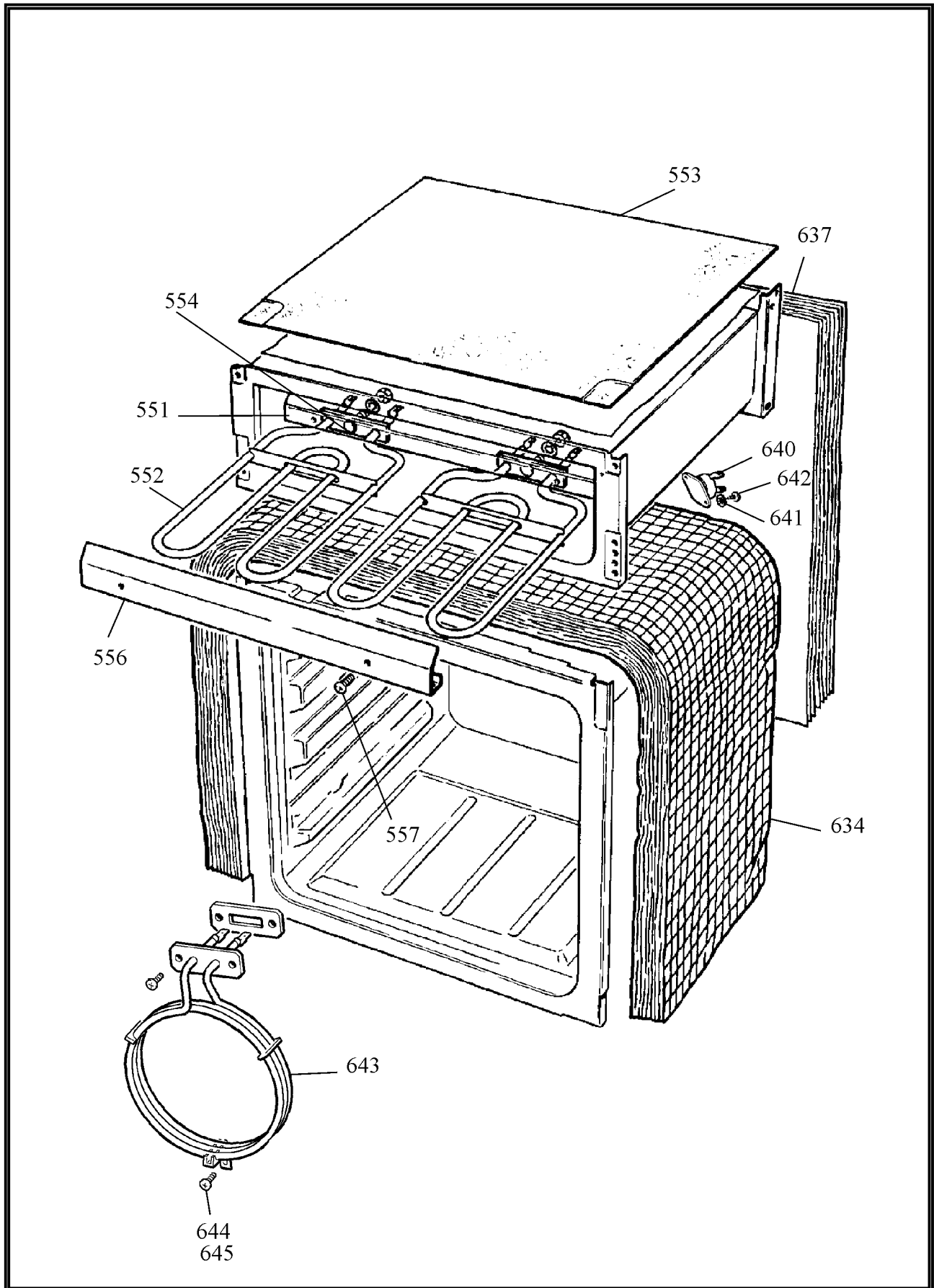




ALL MODELS

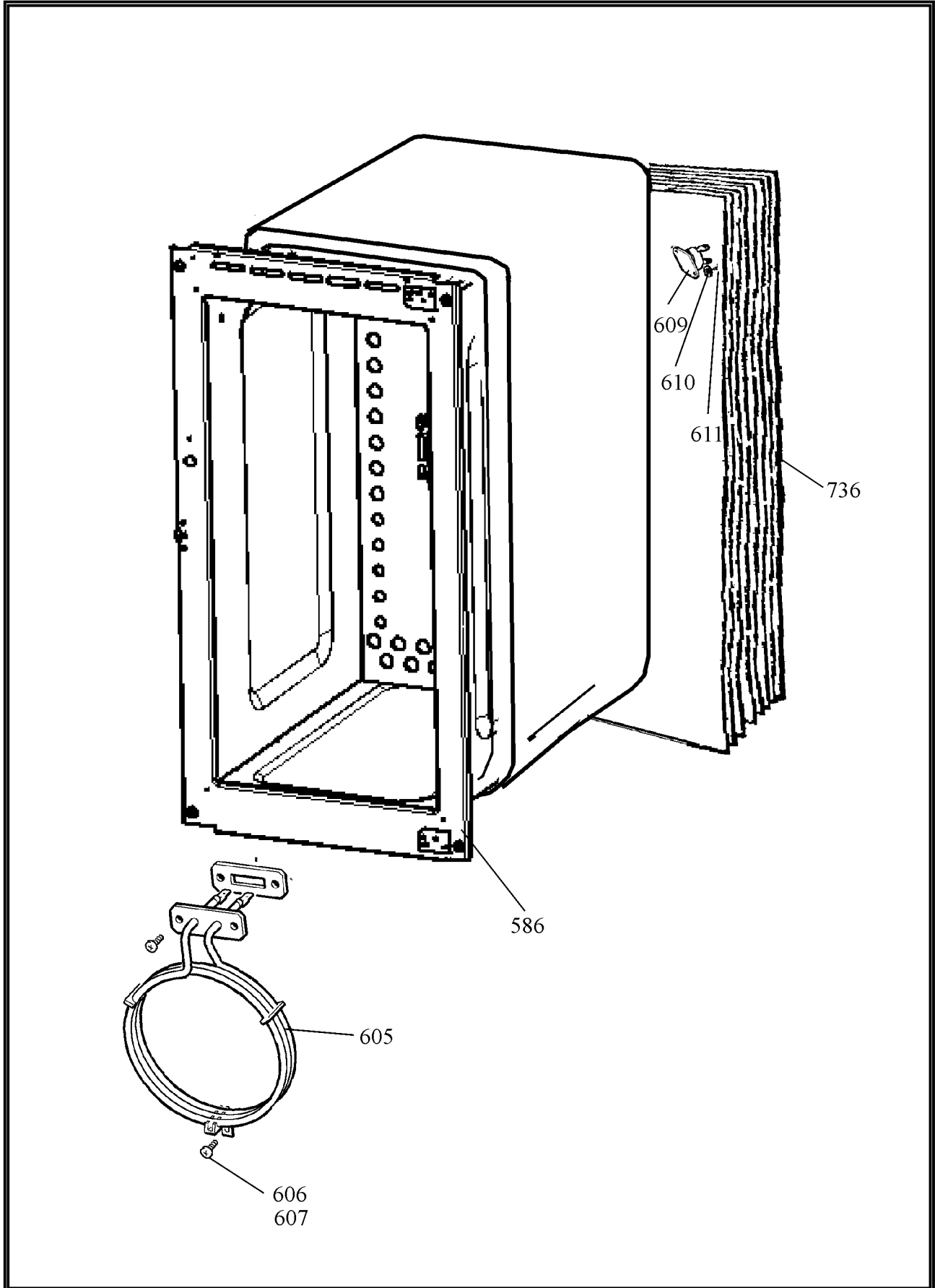
DSL 183 P04

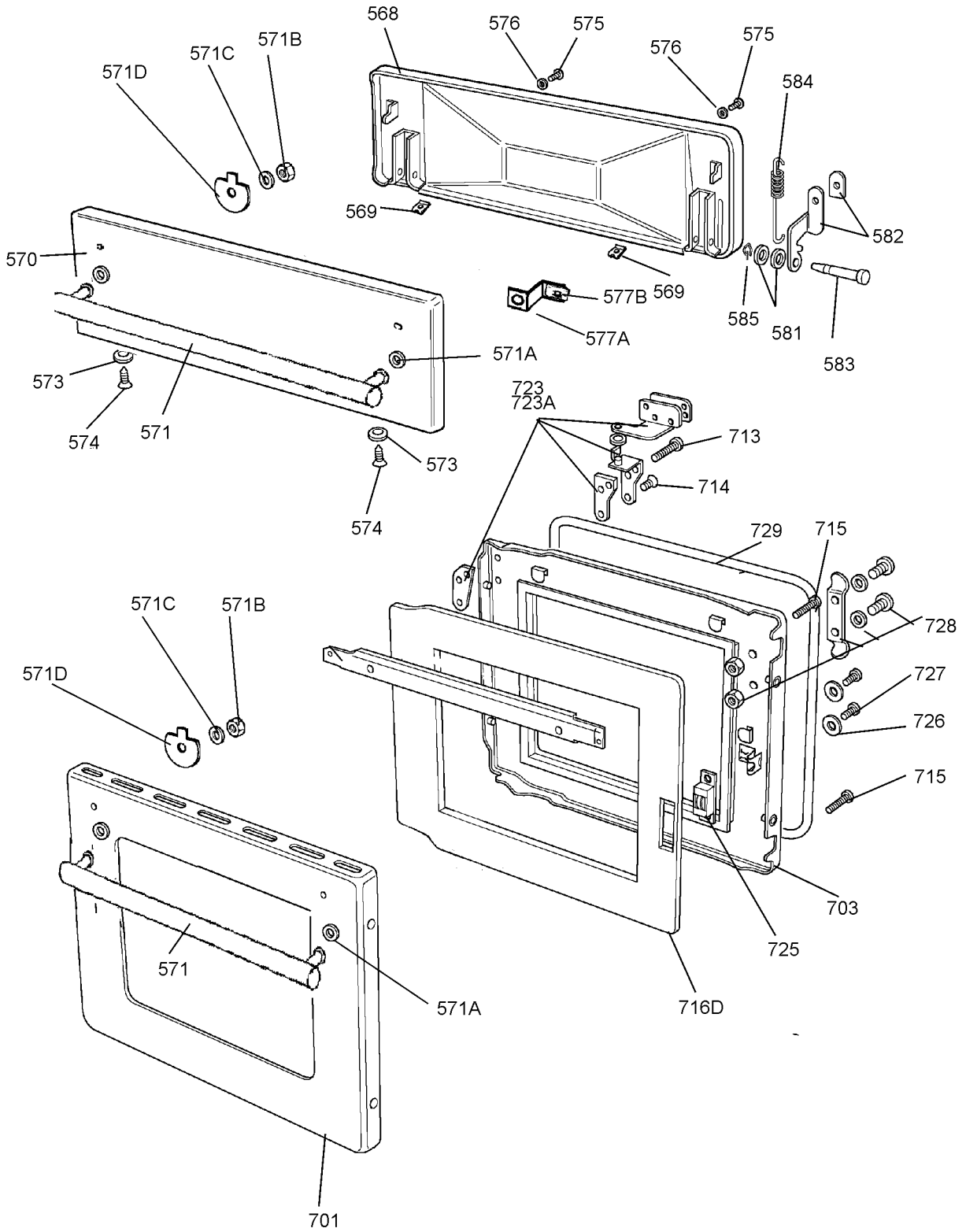
DATE 18.03.03 ISSUE STATUS 01



ALL MODELS

DSL 183 P05
DATE 18.03.03 ISSUE STATUS 01





APPLIANCE NAME:

TOLEDO (INNER DOOR)

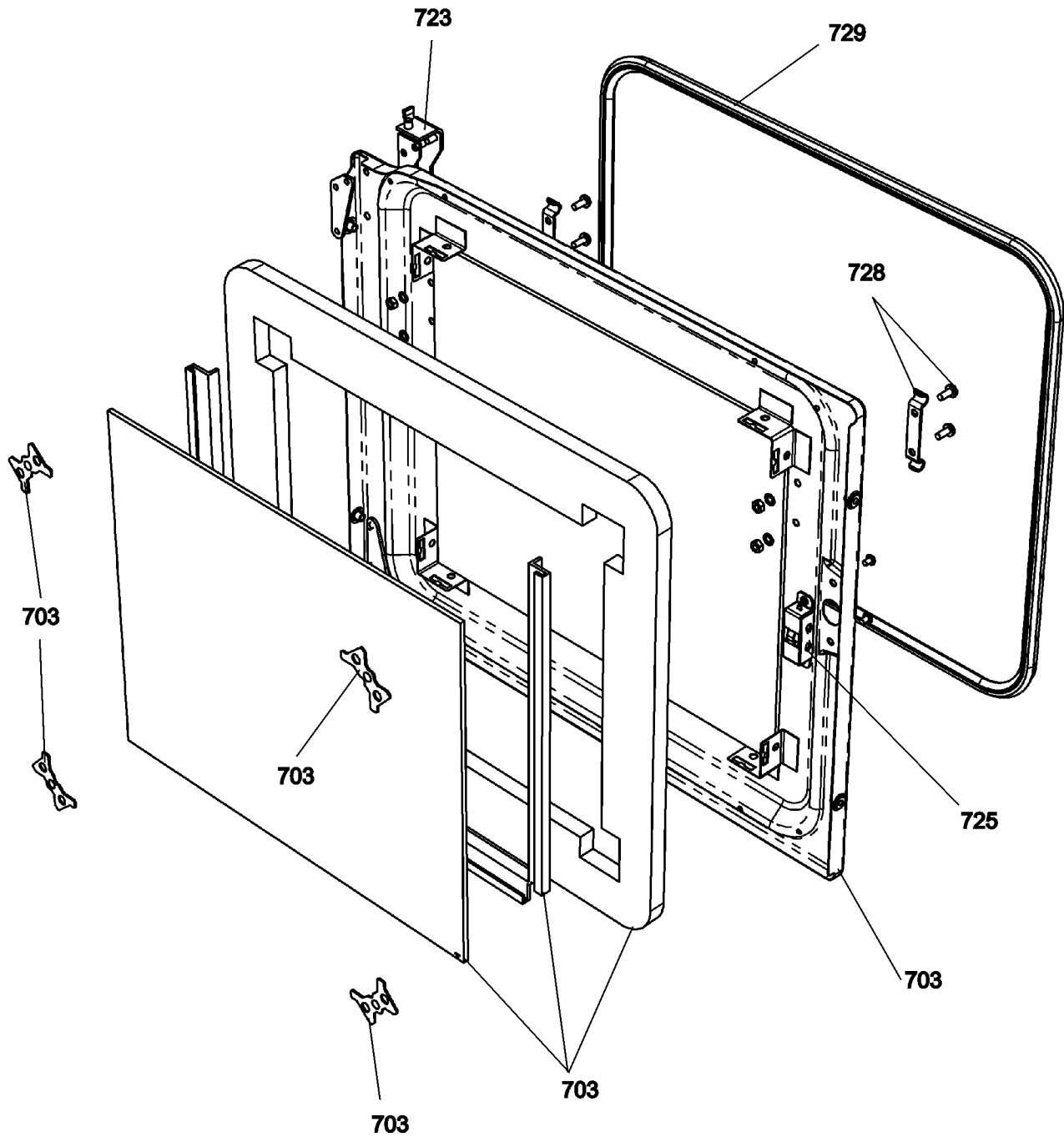
FROM SER No8013 - 6799

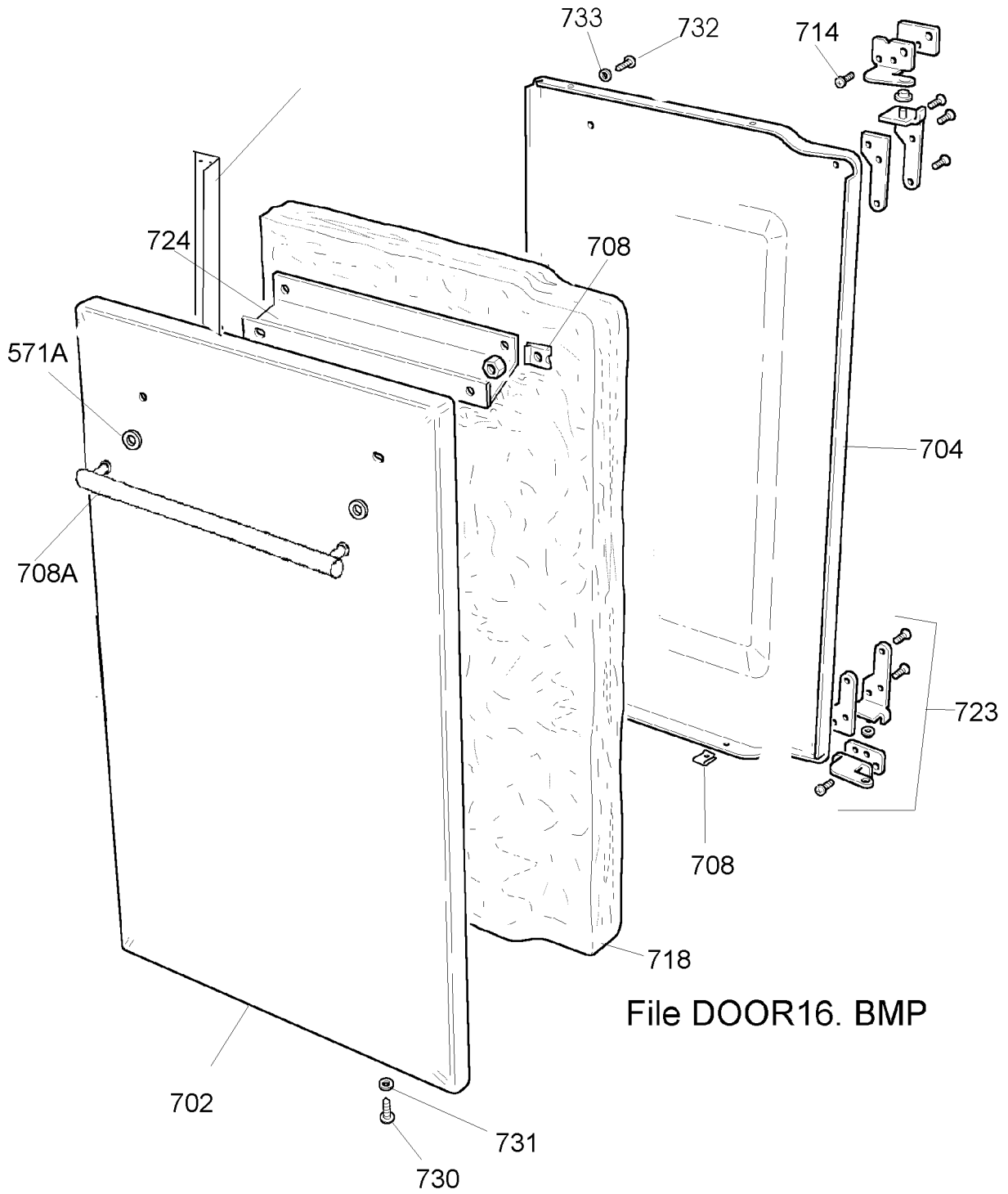
FROM SER No8005 - 6800

FROM SER No10000 - 6776,
6798, 6801, 6898

DSL0183 P06E

DATE 18.01.08 ISSUE STATUS 02





File DOOR16. BMP

