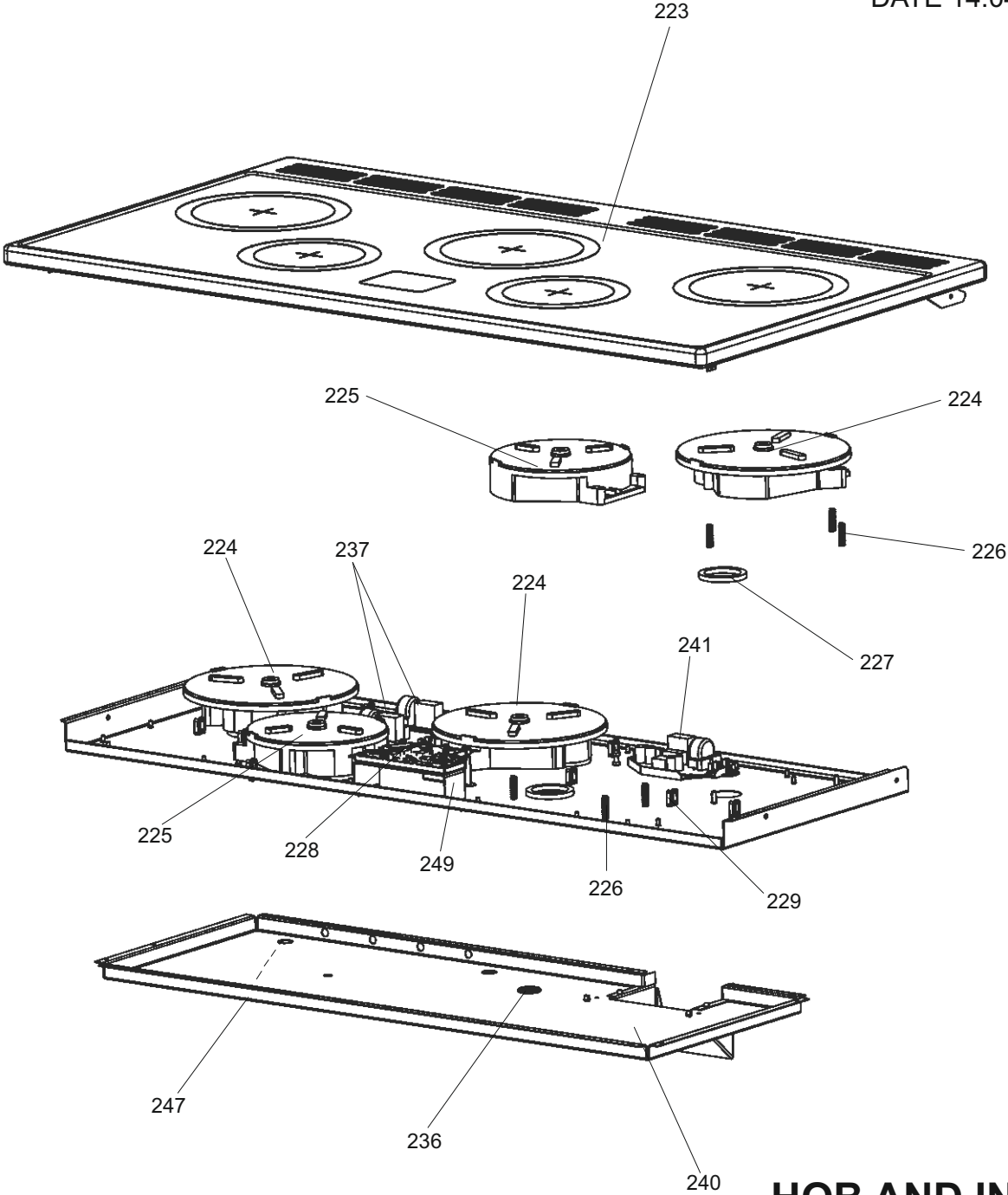


APPLIANCE NAME:  
TOLEDO XT INDUCTION

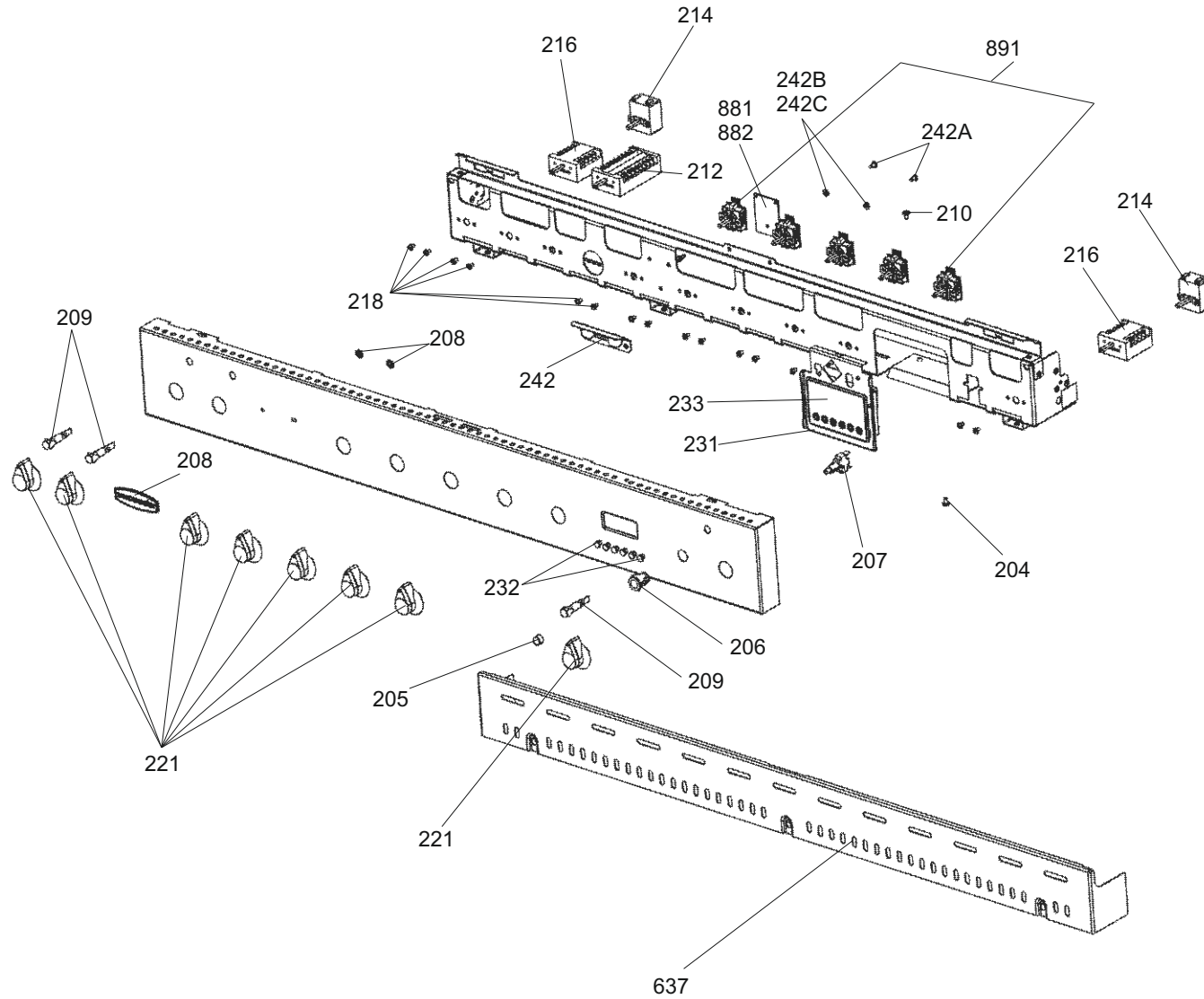
DATE 14.04.10

DSL0410 P00  
ISSUE STATUS 01

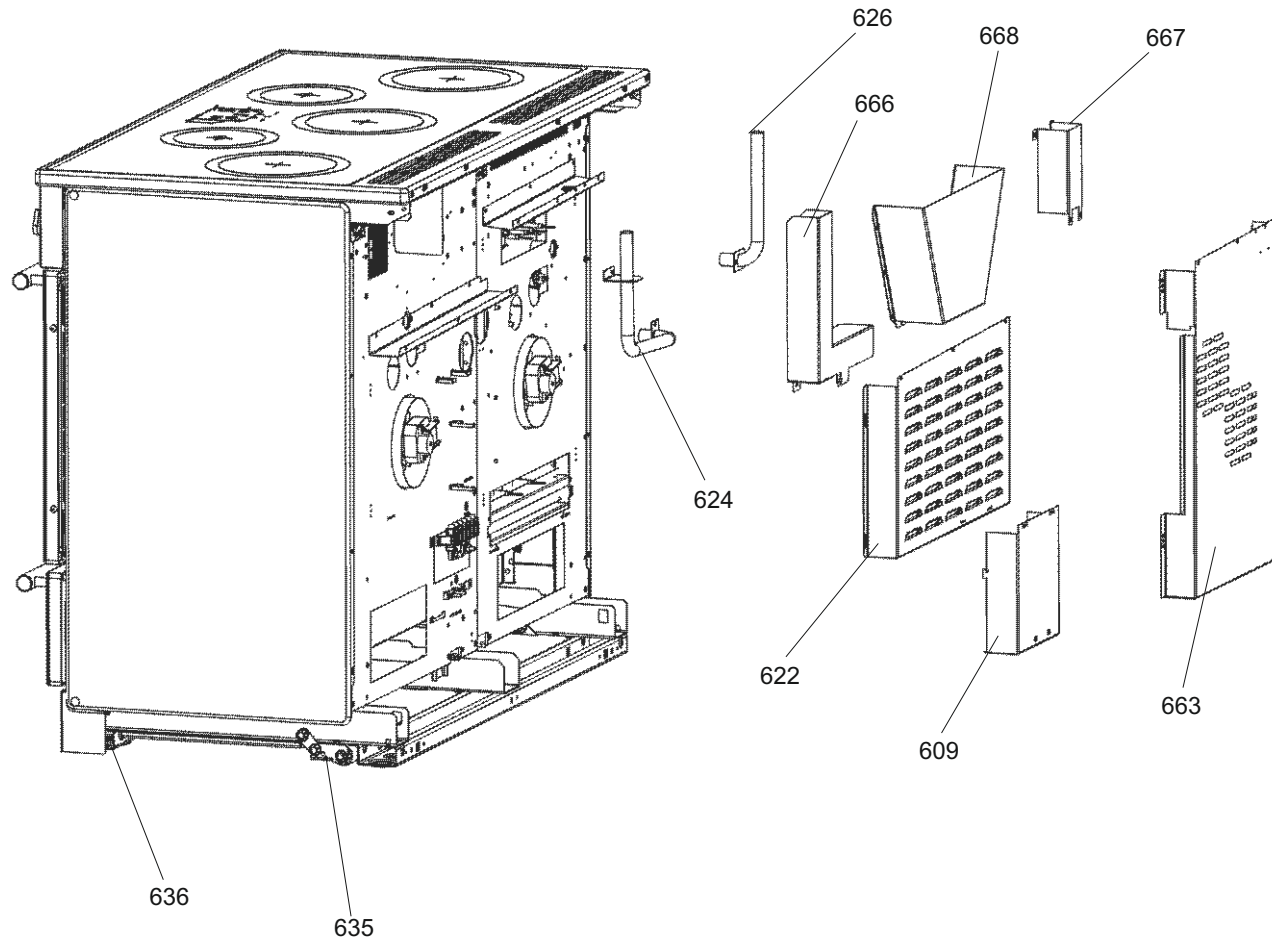




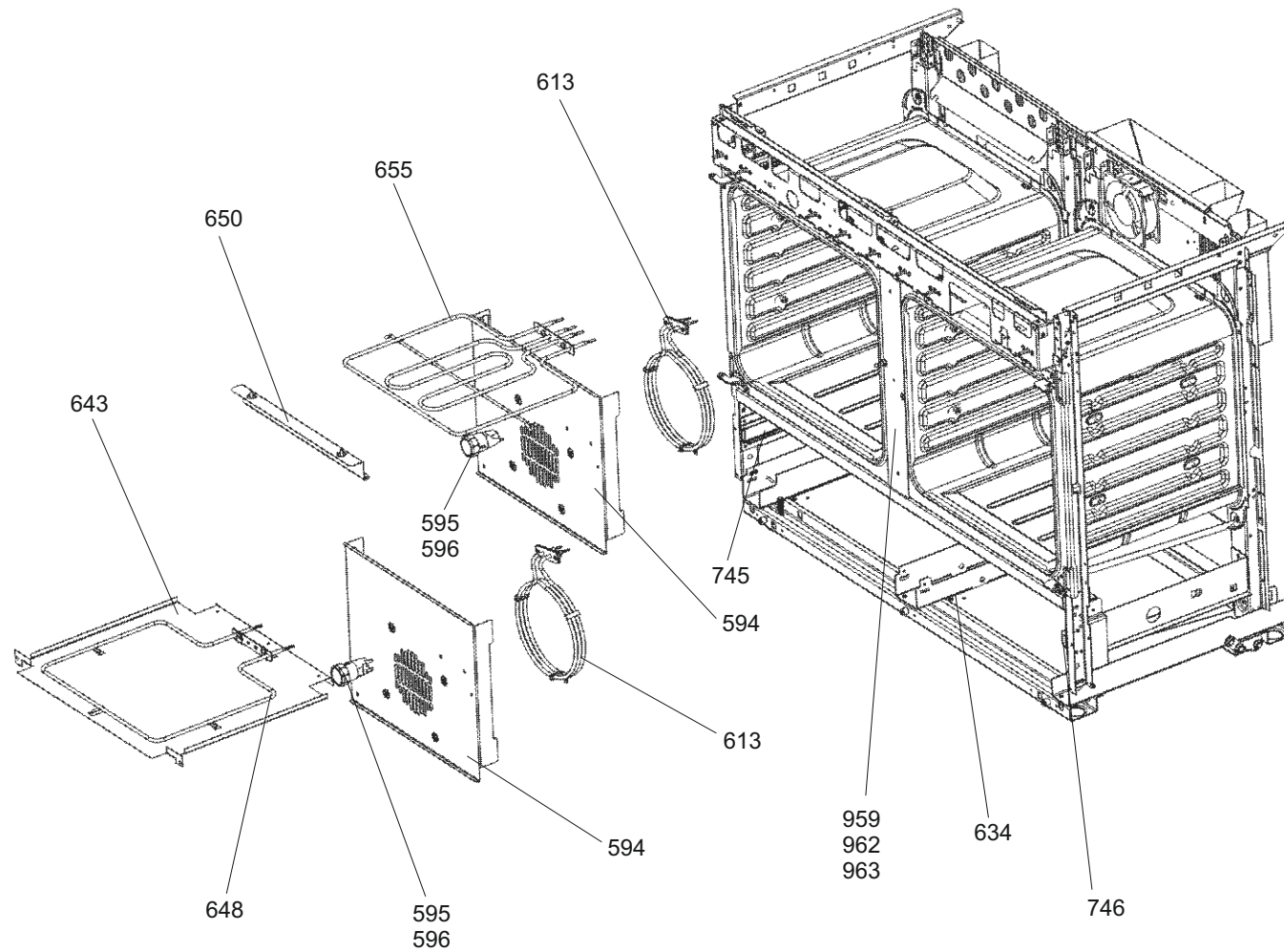
**HOB AND INDUCTION ASSEMBLY**



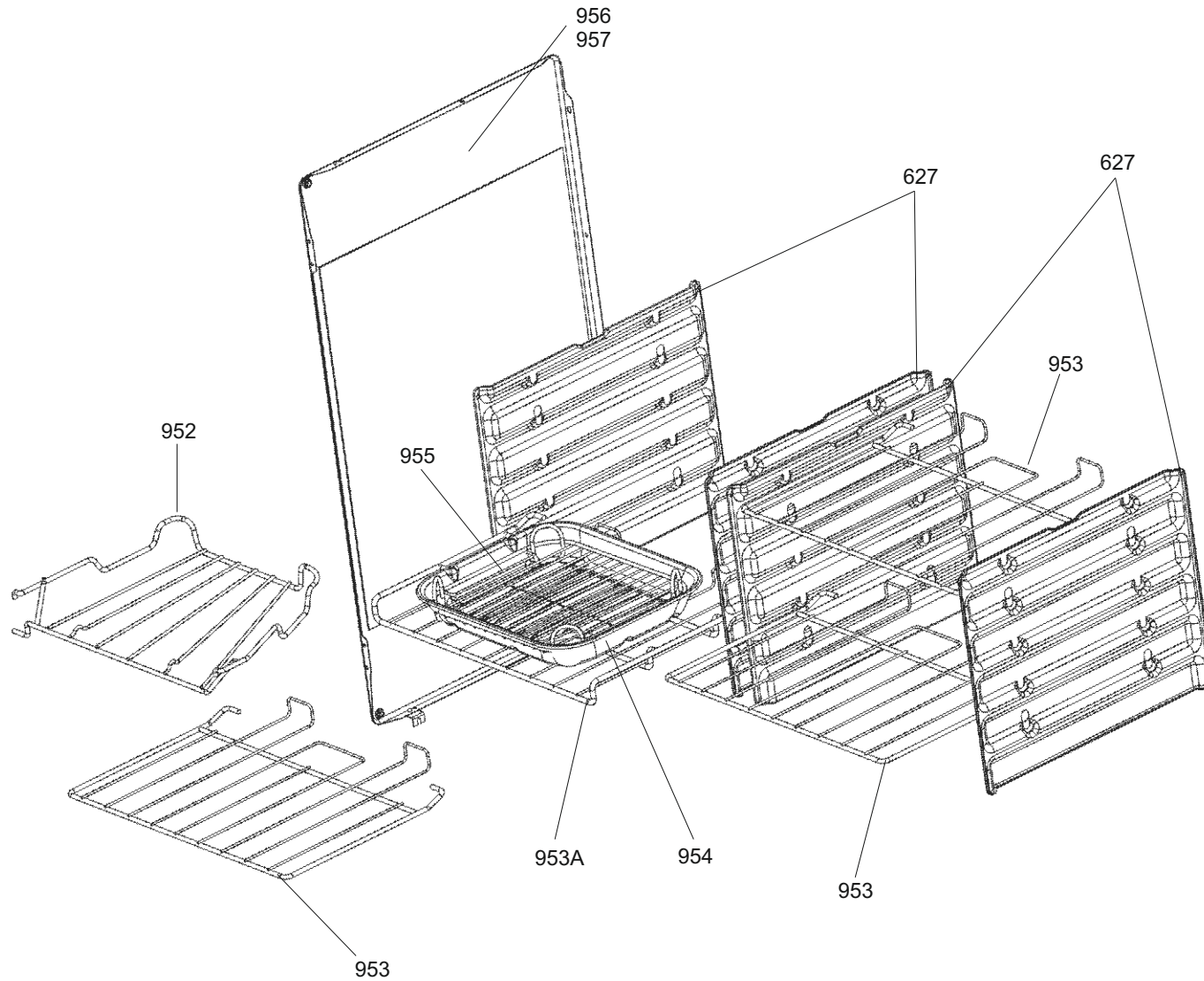
**CONTROL ASSEMBLY**



**APPLIANCE REAR**

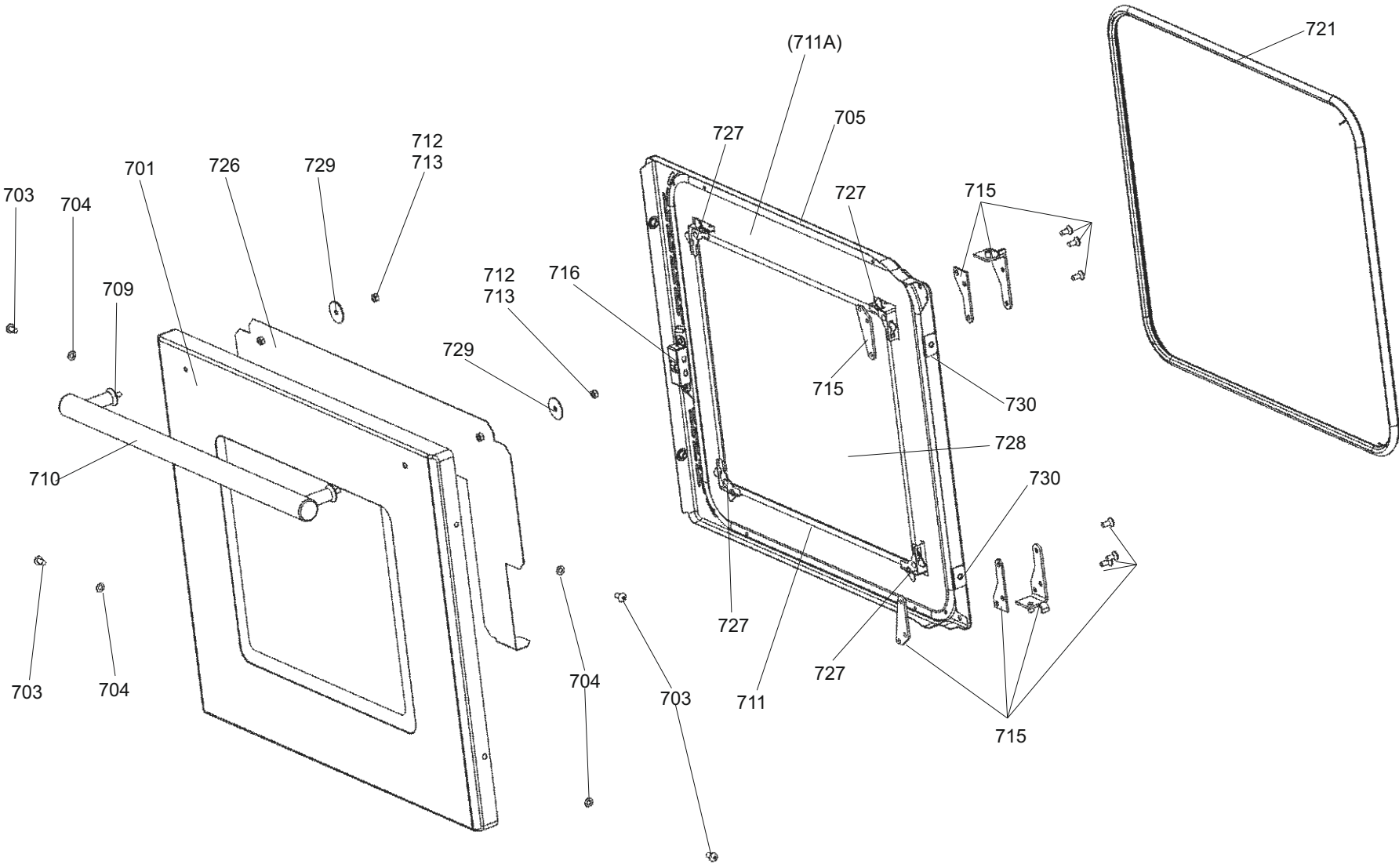


**CHASSIS AND FRAME ASSEMBLY**



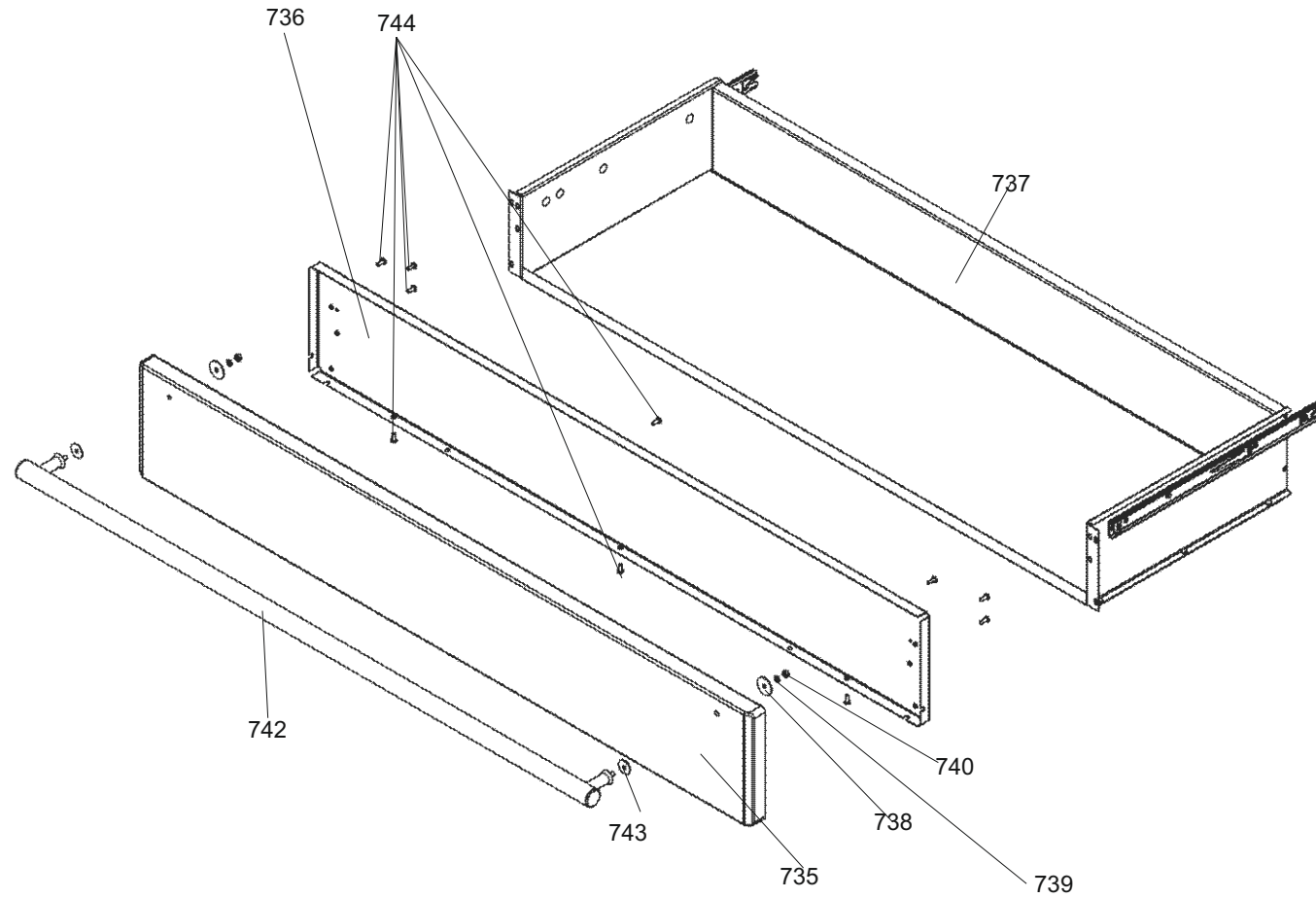


ALL MODELS

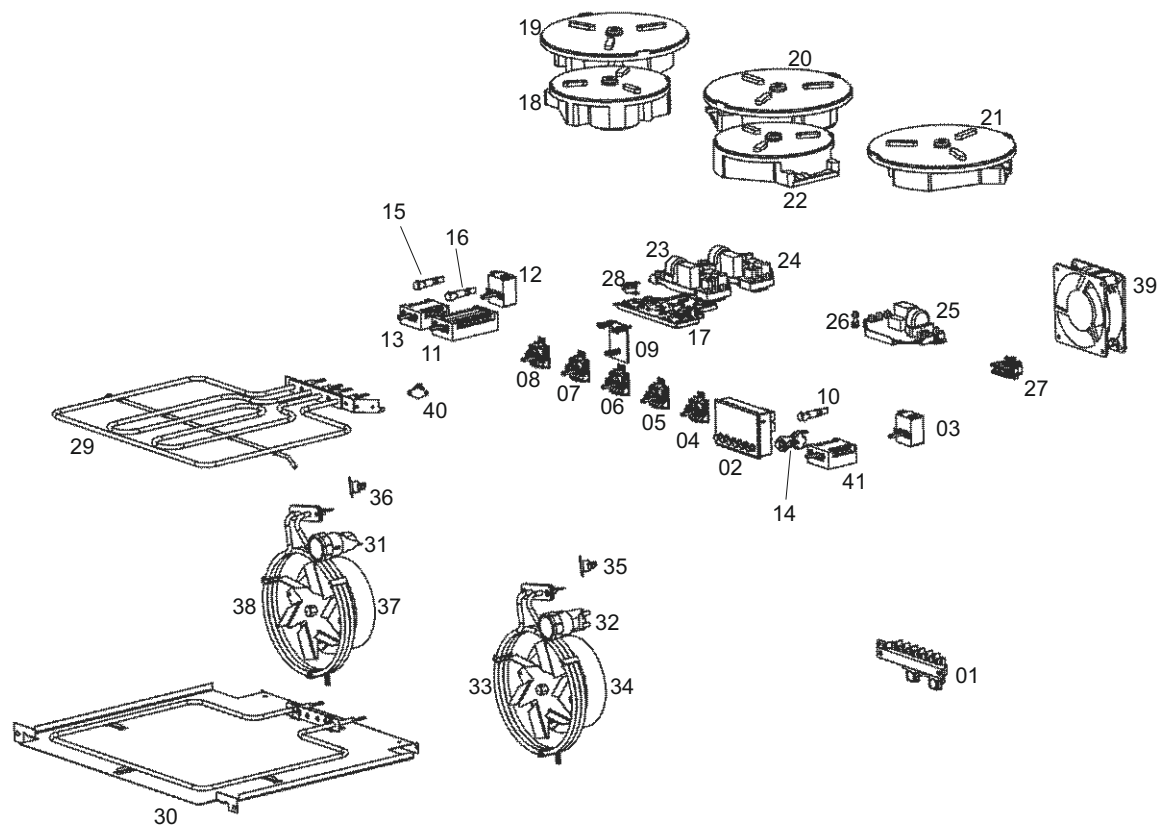


**RH OVEN DOOR**





**STORAGE DRAWER**



REF	HARNESS	DESCRIPTION	QTY	CONNECTS	COMPONENTS
877	P040066	LINK WIRE THERMAL TRIP (NEUTRAL SIDE)	2	33 35	36 38
879	P042859	EARTH LINK	1	34 32	33 01 29 31 38
866	P043934	LIN BUS WIRE IHE INTERCONNECT WIRE	1	23 24	
867	P043935	LIN BUS WIRE IHE INTERCONNECT WIRE	1	21 22	
870	P043936	ROTARY CONTROL WIRE TO INTERFACE BOARD	2	08 09	07 09
868	P043937	ROTARY CONTROL WIRE TO INTERFACE BOARD	2	06 09	05 09
873	P043938	LIN BUS WIRE IHE INTERCONNECT WIRE	4	18 19	19 24 23
869	P043939	ROTARY CONTROL WIRE TO INTERFACE BOARD	1	04 09	
872	P043940	LIN BUS WIRE IHE INTERCONNECT WIRE	2	17 18	25 21
888	P043941	HOB SUPPLY HARNESS	1	01 23 24	25 26
864	P043942	CU / FILTER BOARD - IHE	1	23 20	
871	P043943	PE CONNECTION UNIT	3	23 01	24 01 25
863	P043944	CU / FILTER BOARD - IHE	2	24 18	25 22
862	P043945	CU / FILTER BOARD - IHE	2	24 19	25 21
859	P043963	RETURN LINK	1	35 32 34	01
861	P043965	RETURN LINK	1	36 31	01
860	P045288	COOLING FAN LINK FEED	1	37 27	
893	P045293	THERMOSTAT HARNESS	1	27 28	37
901	P045828	FERRITE LINK	1	17 09	
865	P045846	MULTIFUNCTION NEON	1	11 16	
892	P045983	COOLING FAN SUPPLY	1	37 28	
858	P045984	LIGHTS & COOLING HARNESS	1	01 14 31 32	39 27
895	P049512	COOLING HARNESS	1	02 13 02 11	13 02 13
894	P049515	LH OVEN HARNESS	1	11 37 38 29	30 01 13
876	P094943	EARTH WIRE ASSEMBLY	1	03 01	