

TOLEDO 110 INDUCTION

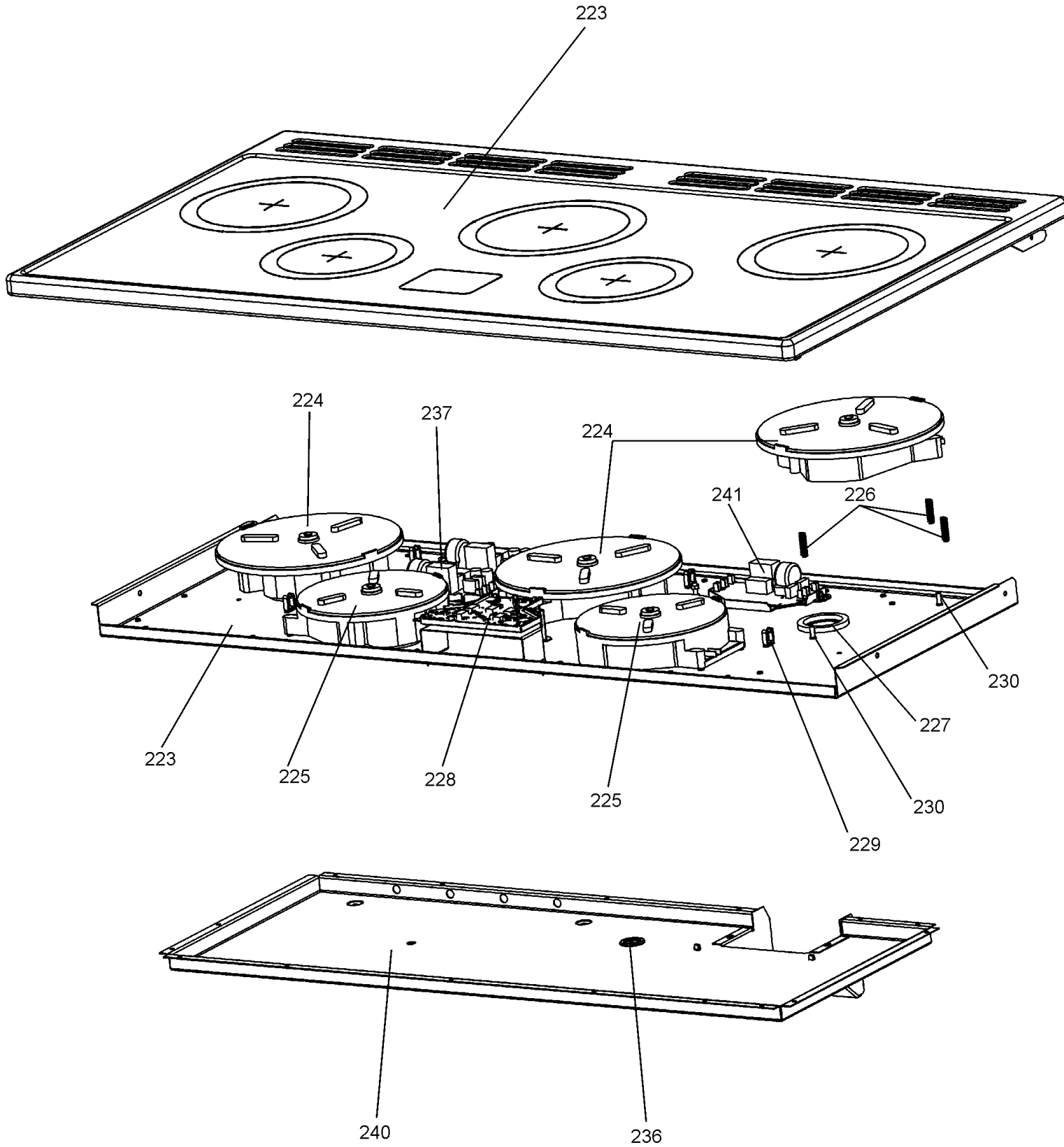
DATE 06.03.13

DSL0399 P01A

FROM SERIAL NUMBER 150000
UP TO SERIAL NUMBER 157999 UK & EU

ISSUE STATUS 03

FROM SERIAL NUMBER 150000 AUSTRALIA



TOLEDO 110 INDUCTION (G5)

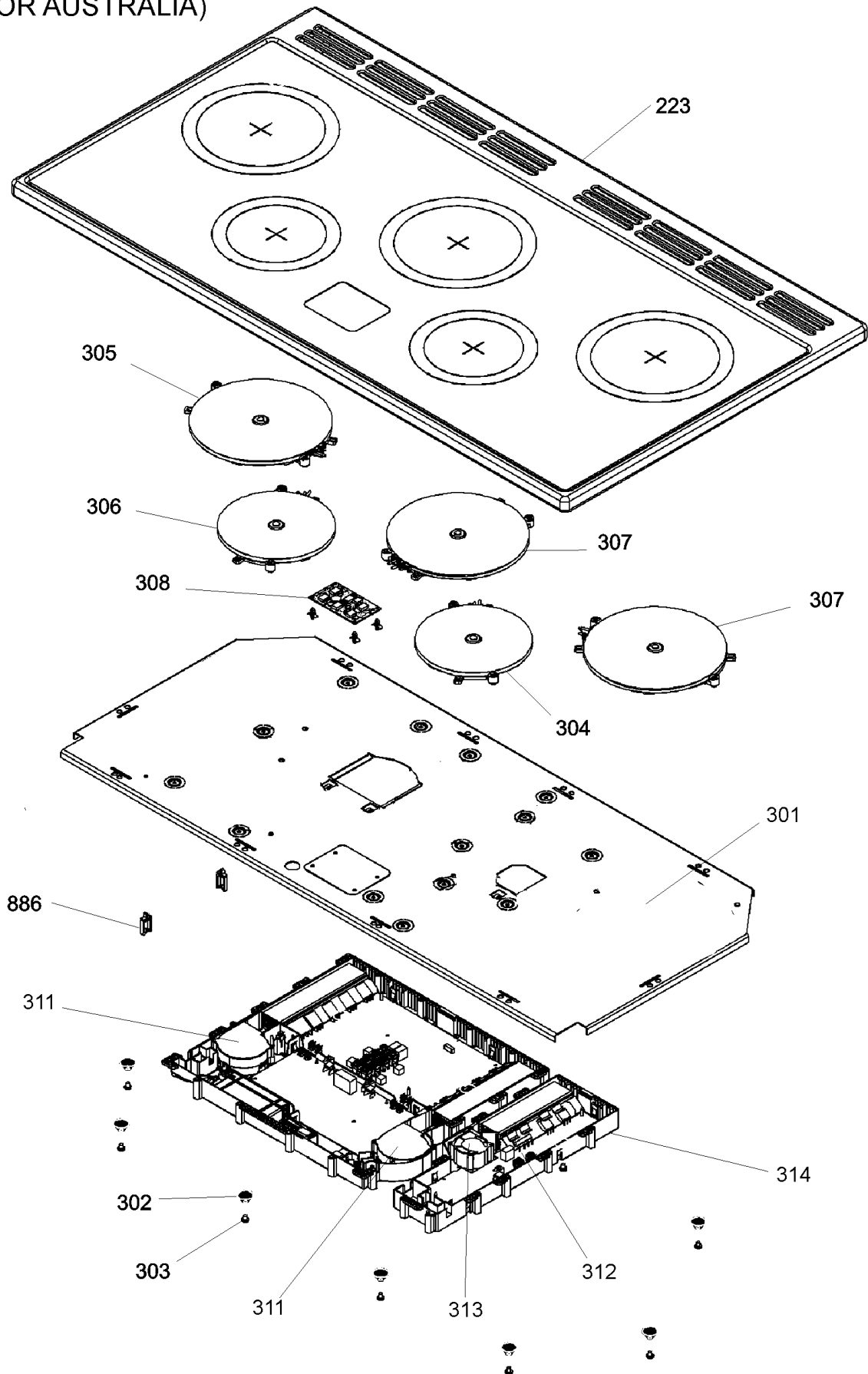
DATE 06.03.13

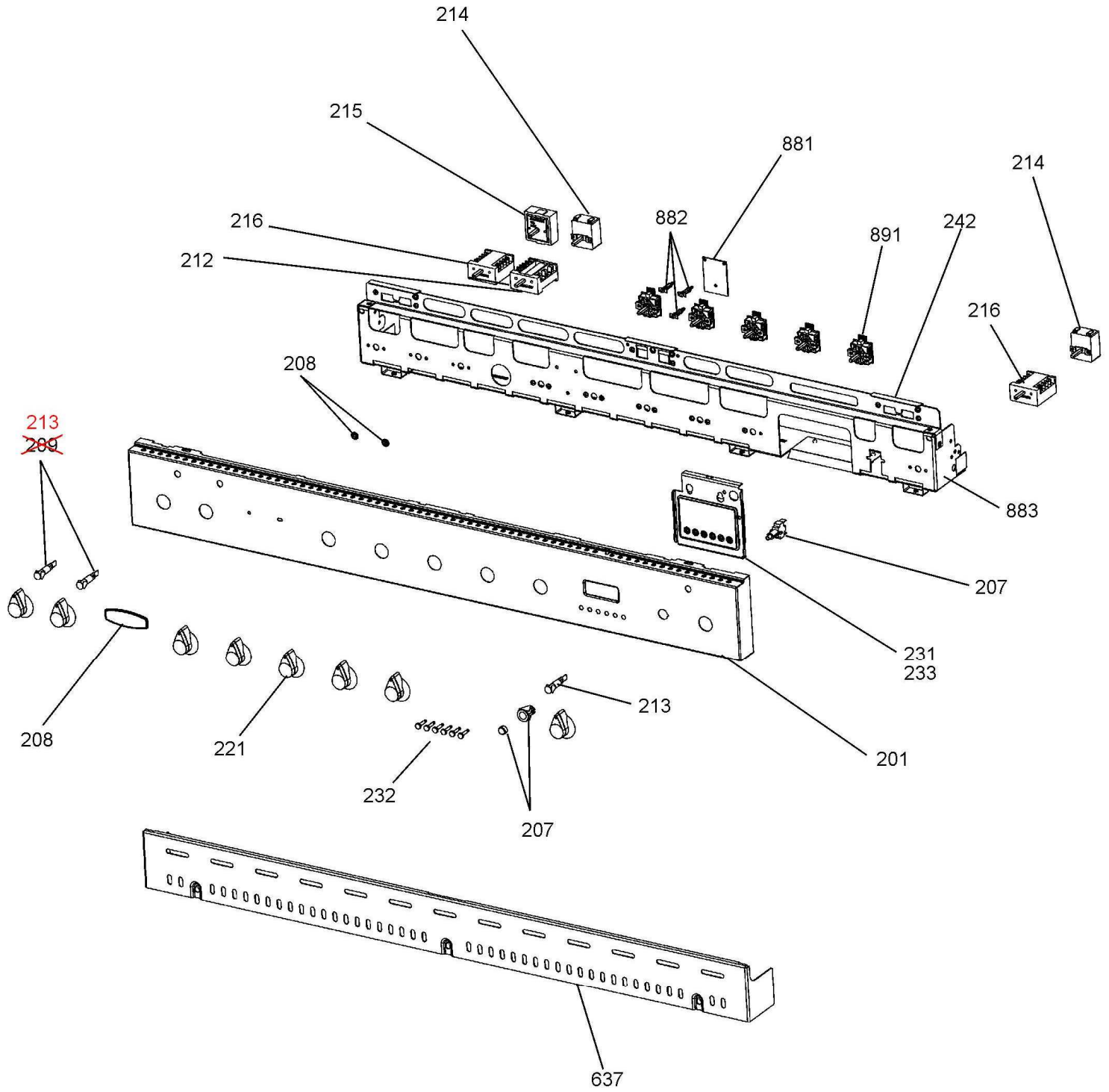
DSL0399 P01B

ISSUE STATUS 01

FROM SERIAL NUMBER 158000 UK & EU

(NOT FOR AUSTRALIA)





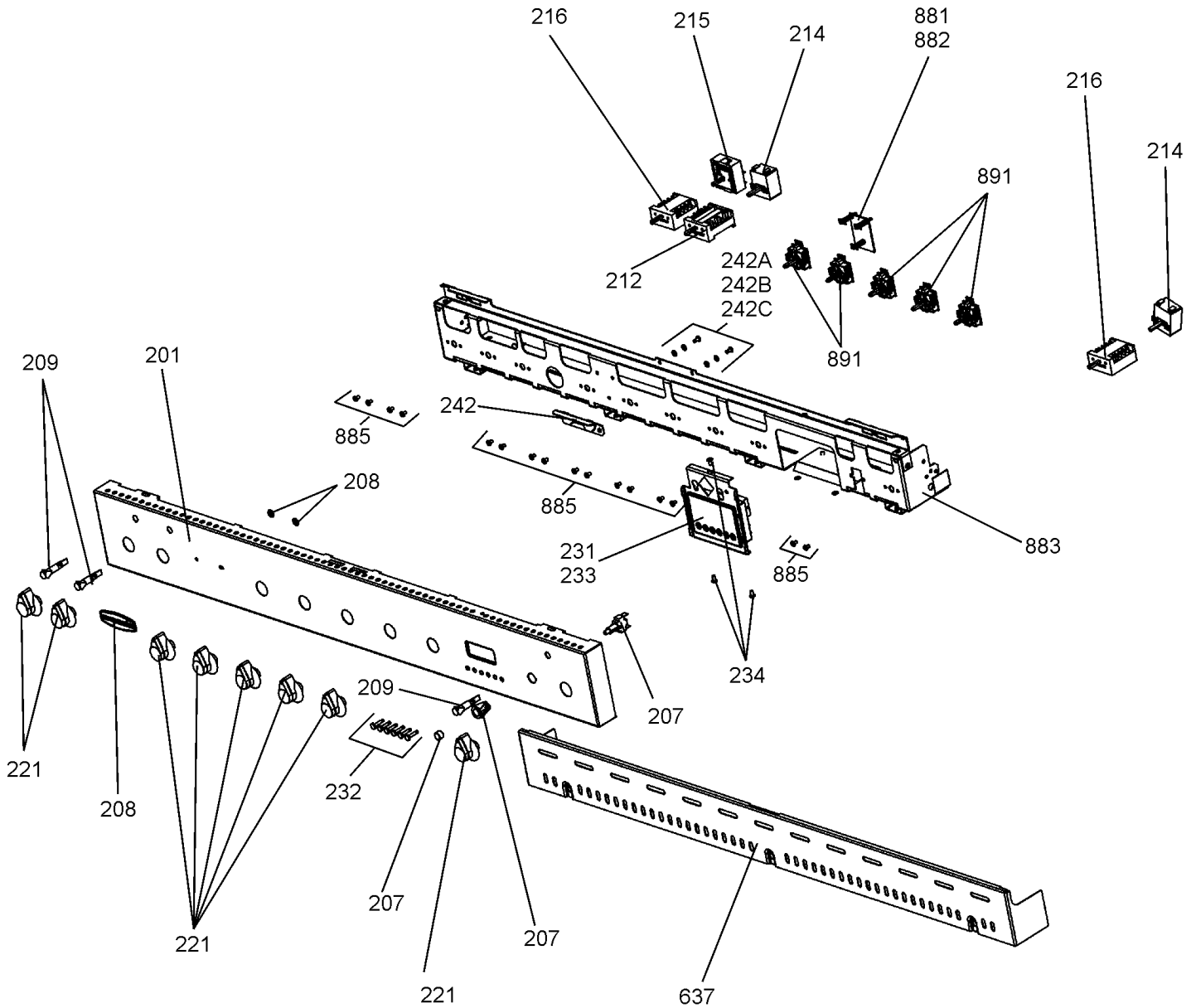
TOLEDO 110 INDUCTION

DATE 06.03.13

DSL0399 P02A
ISSUE STATUS 03

FROM SERIAL NUMBER 150000
UP TO SERIAL NUMBER 157999 UK & EU

FROM SERIAL NUMBER 150000 AUSTRALIA

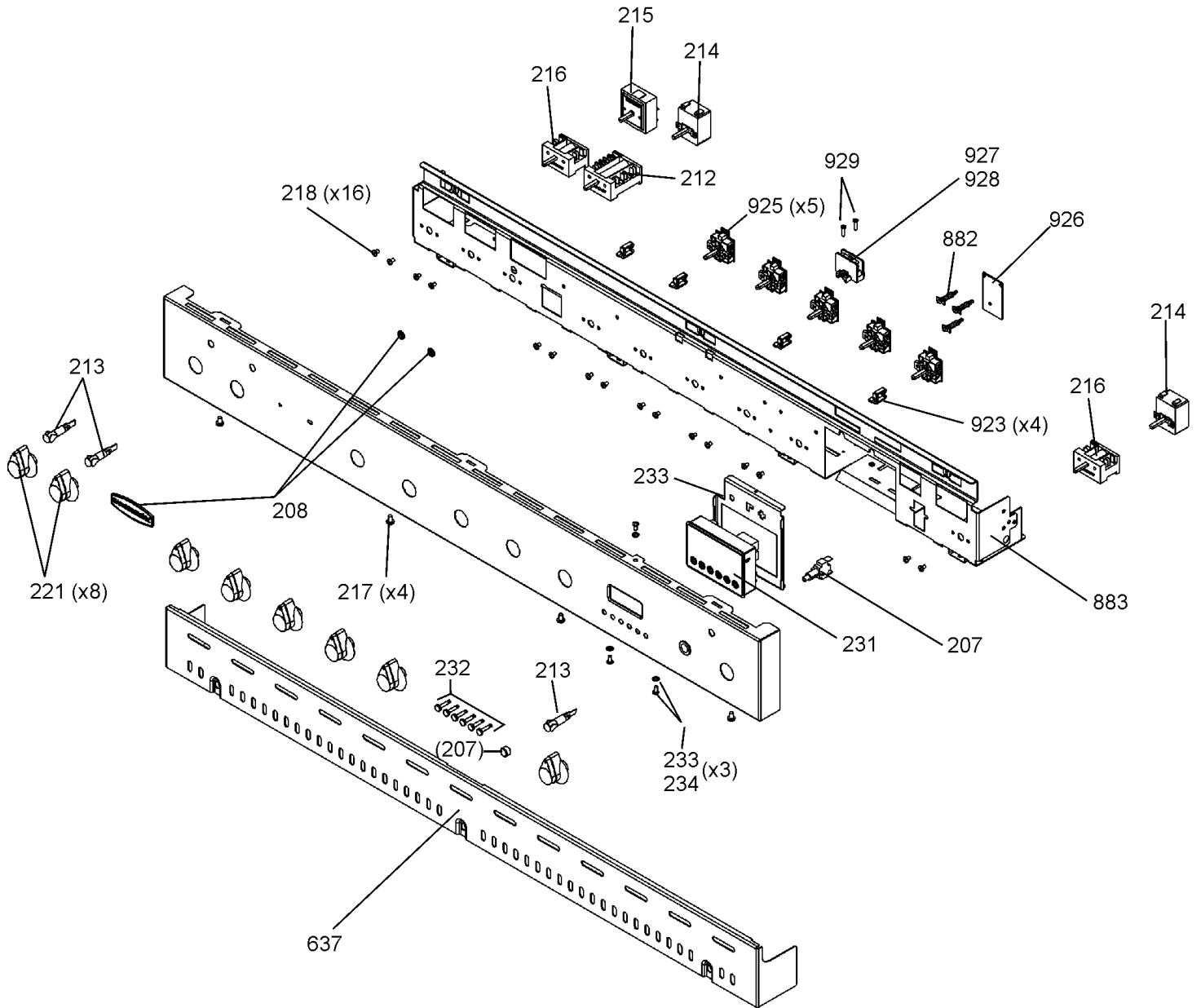


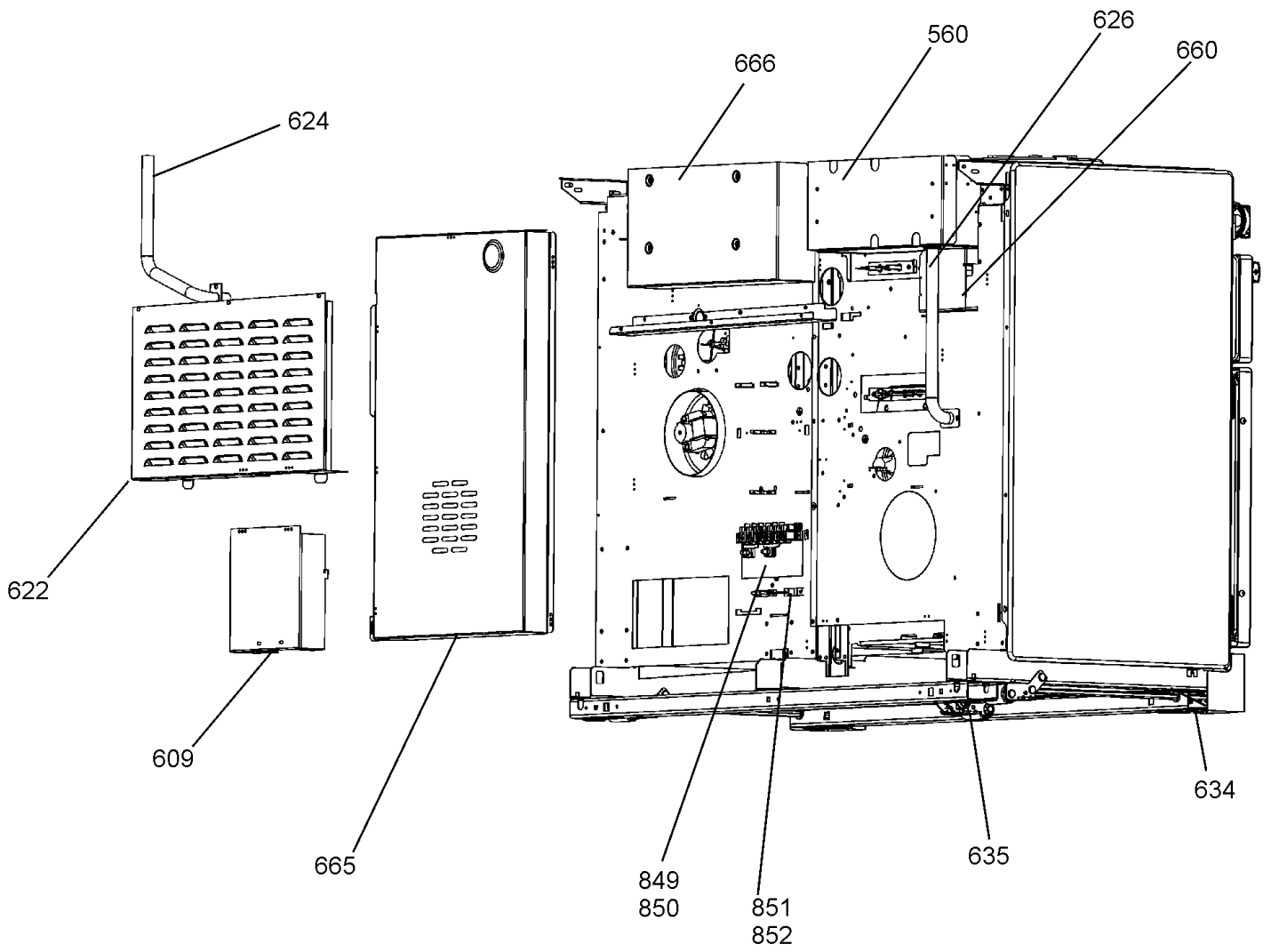
TOLEDO 110 INDUCTION
FROM SERIAL NUMBER 158000 UK &EU

DATE 06.03.13

DSL0399 P02B
ISSUE STATUS 01

(NOT FOR AUSTRALIA)





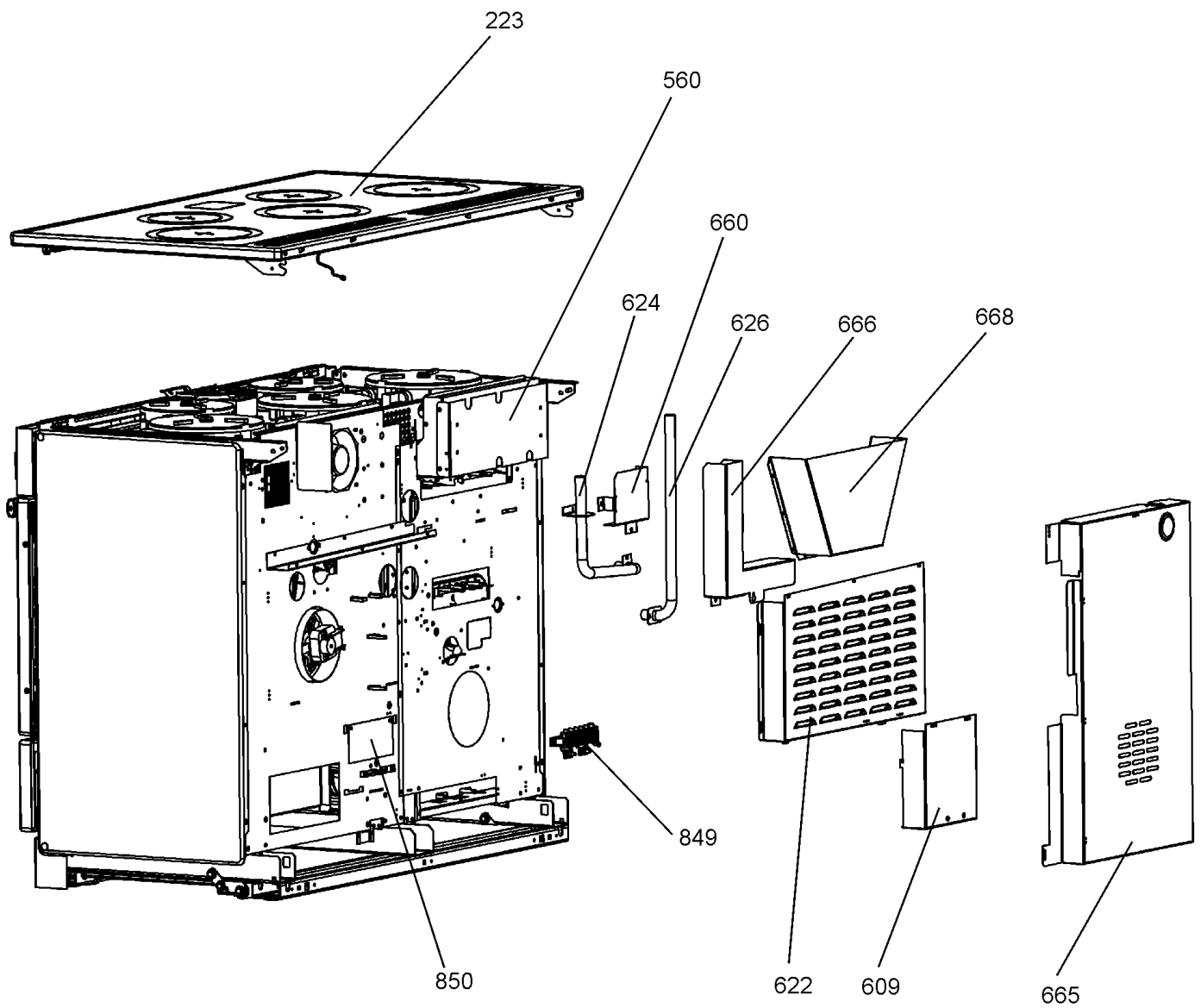
TOLEDO 110 INDUCTION
FROM SERIAL NUMBER 150000
UP TO SERIAL NUMBER 157999 UK & EU

DATE 06.03.13

DSL0399 P03A

ISSUE STATUS 003

FROM SERIAL NUMBER 150000 AUSTRALIA



TOLEDO 110 INDUCTION G5

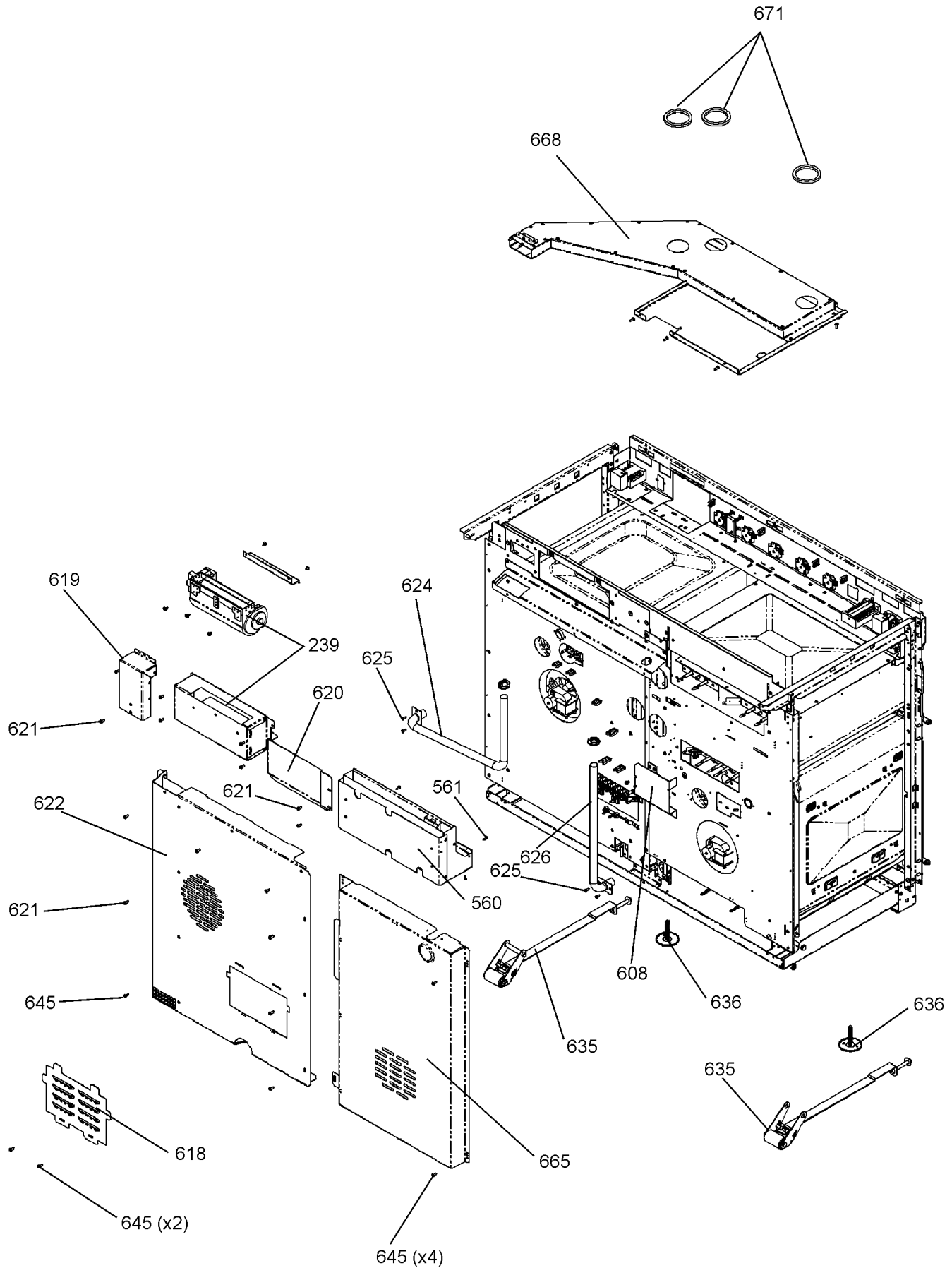
DATE 05.06.14

DSL0399 P03B

FROM SERIAL NUMBER 158000 UK & EU

ISSUE STATUS 04

(NOT FOR AUSTRALIA)



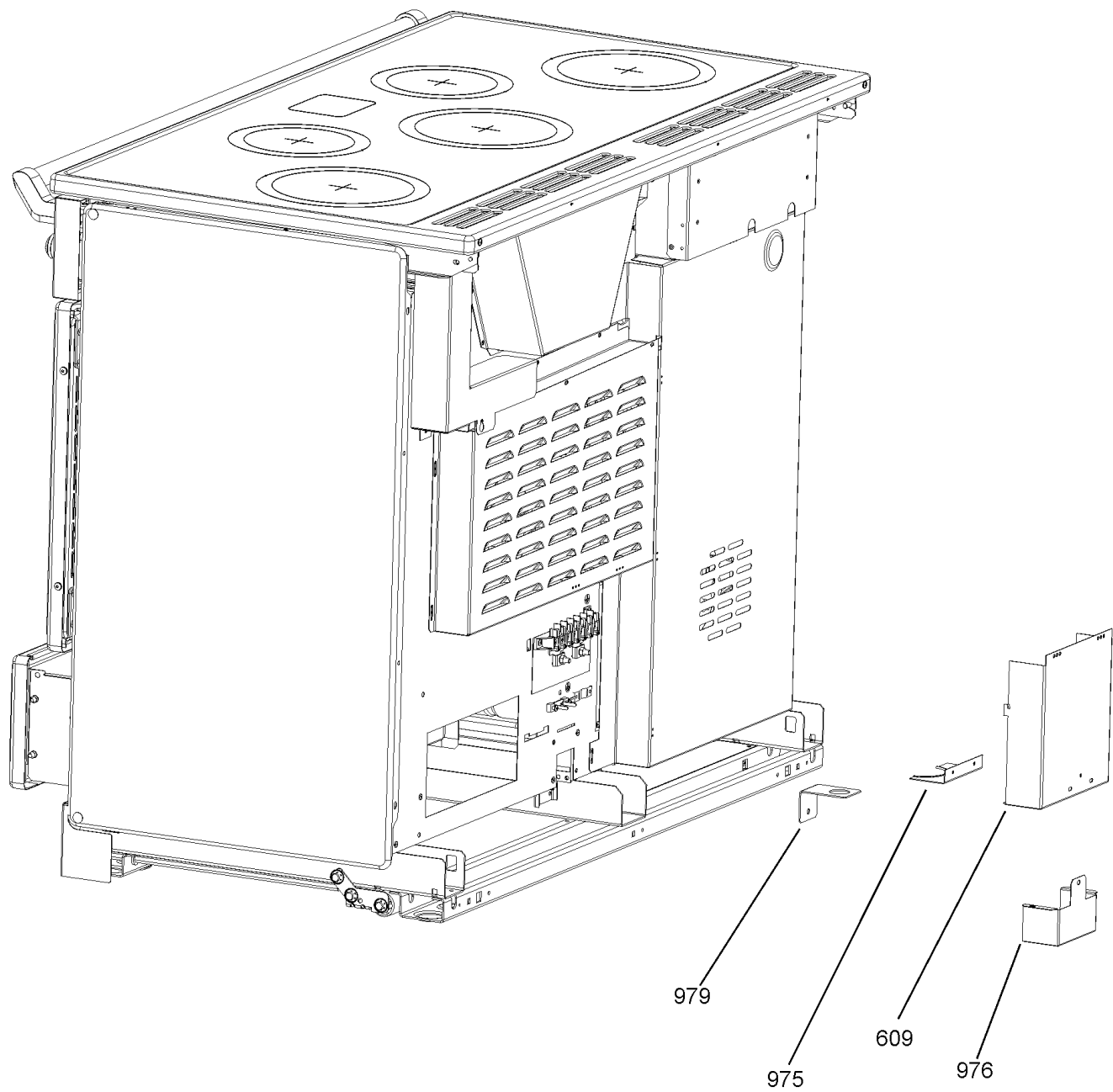
TOLEDO 110 INDUCTION

DATE 02.02.11

DSL0399 P03C

AUSTRALIA ONLY - 9509 - 9510 -
9511 - 9512 - 9513

ISSUE STATUS 01



TOLEDO 110 INDUCTION

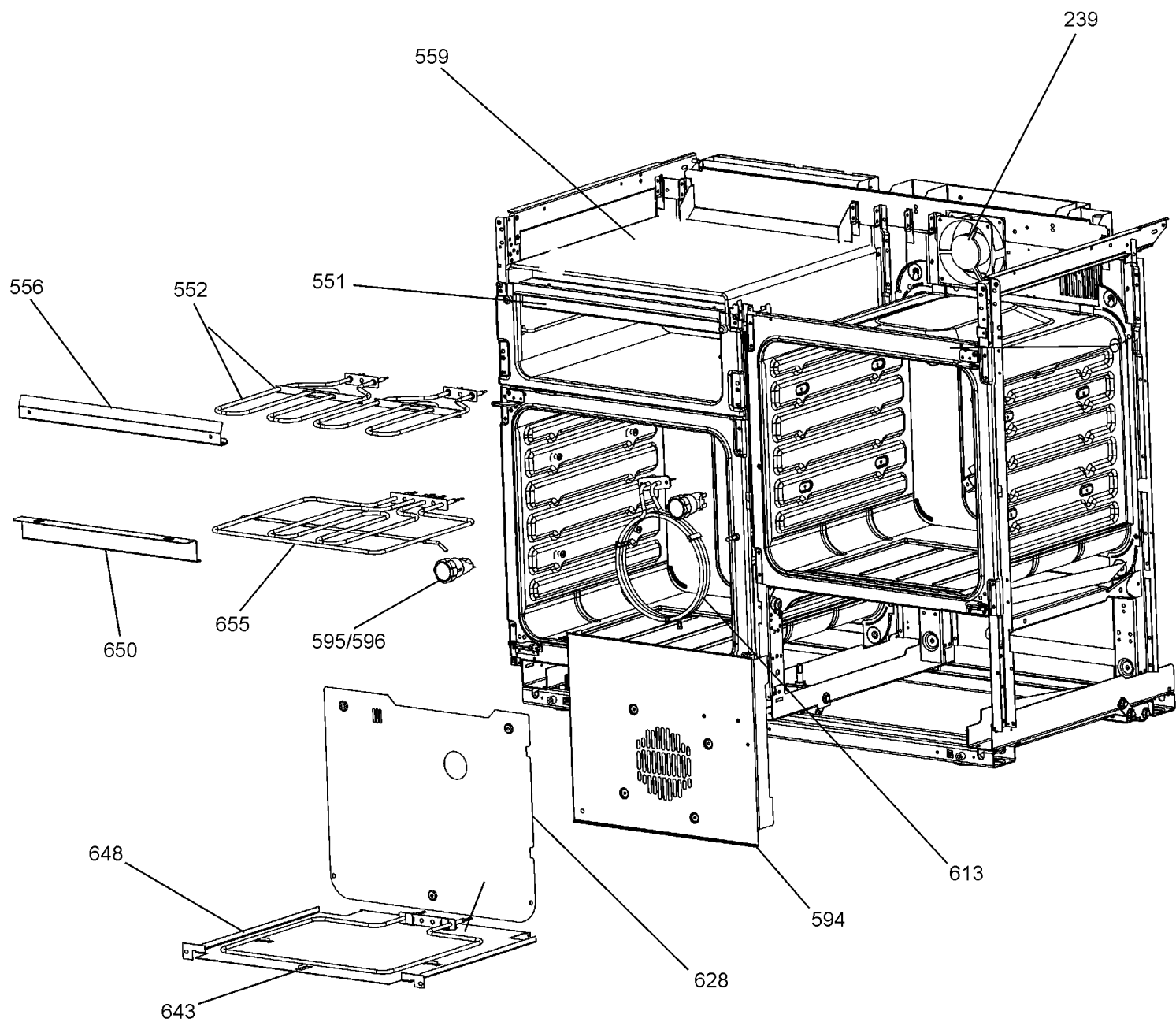
DATE 06.03.13

DSL0399 P04

UP TO SERIAL NUMBER 157999 UK & EU MODELS

ISSUE STATUS 03

CURRENT FOR AUSTRALIA

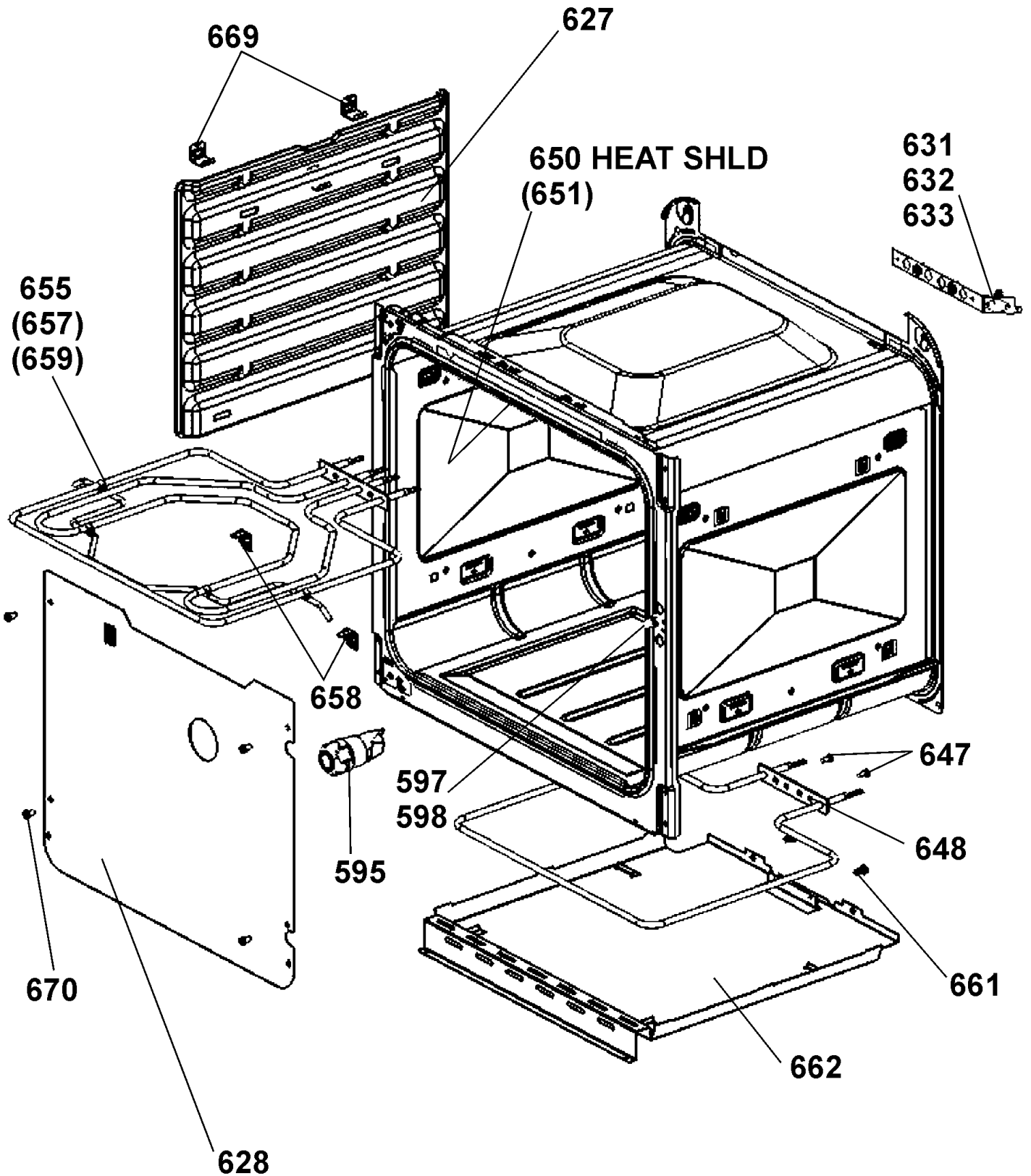


TOLEDO110 INDUCTION

FROM SERIAL NUMBER 158000
UK & EU MODELS ONLY

DSL0399 P04A

DATE 06.03.13 ISSUE STATUS 01



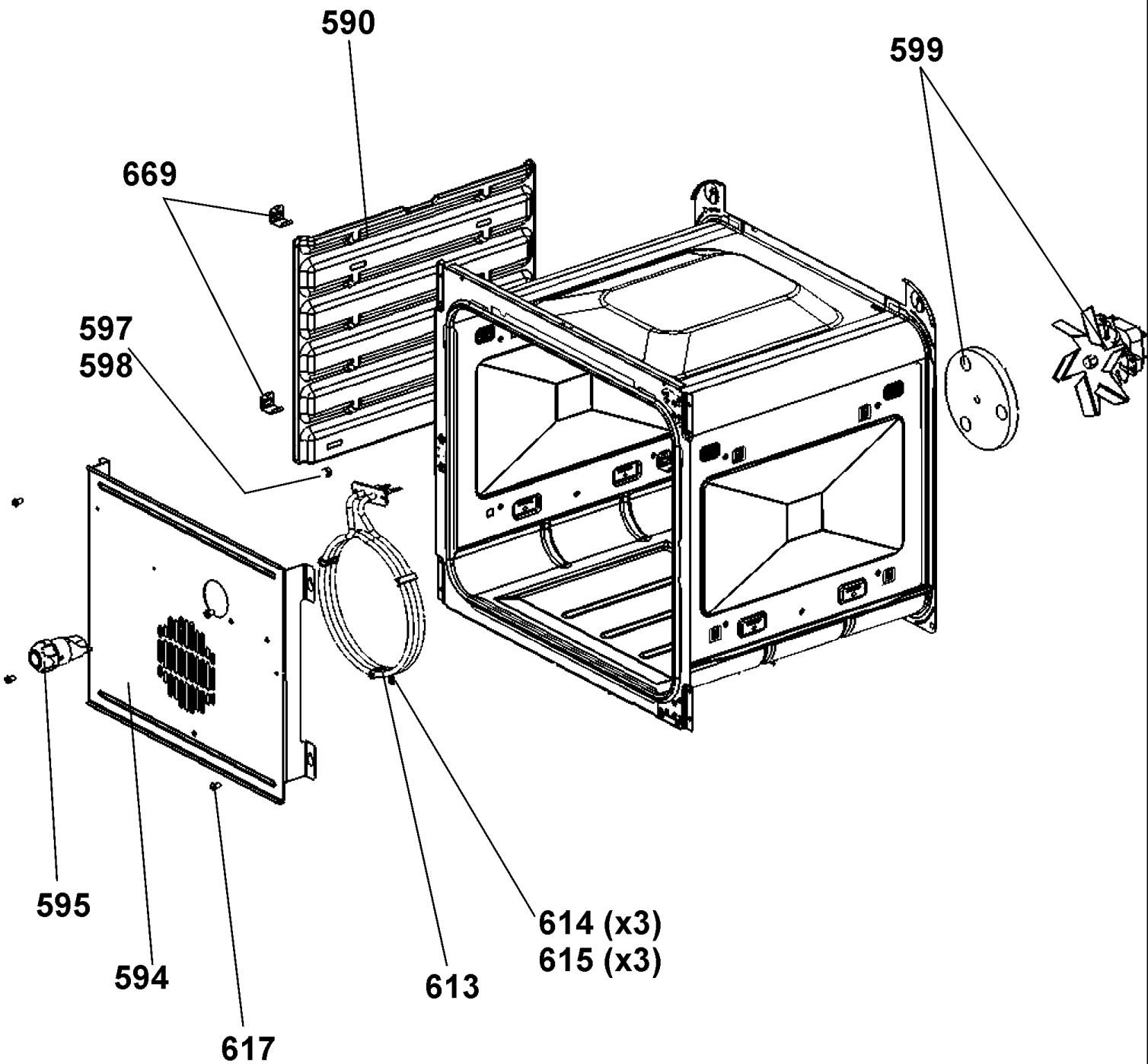
LH OVEN

TOLEDO 110 INDUCTION

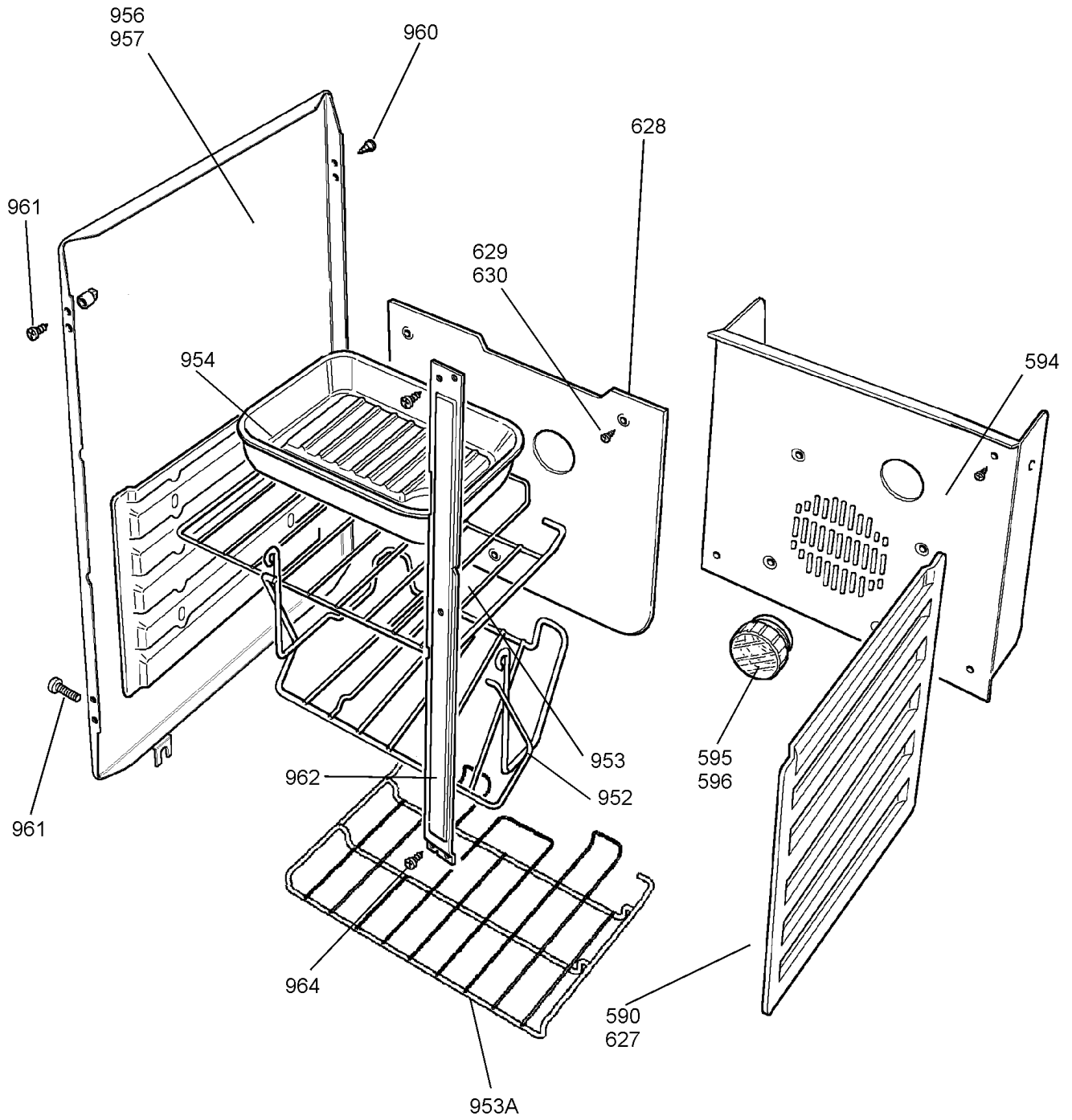
FROM SERIAL NUMBER 158000
UK & EU MODELS ONLY

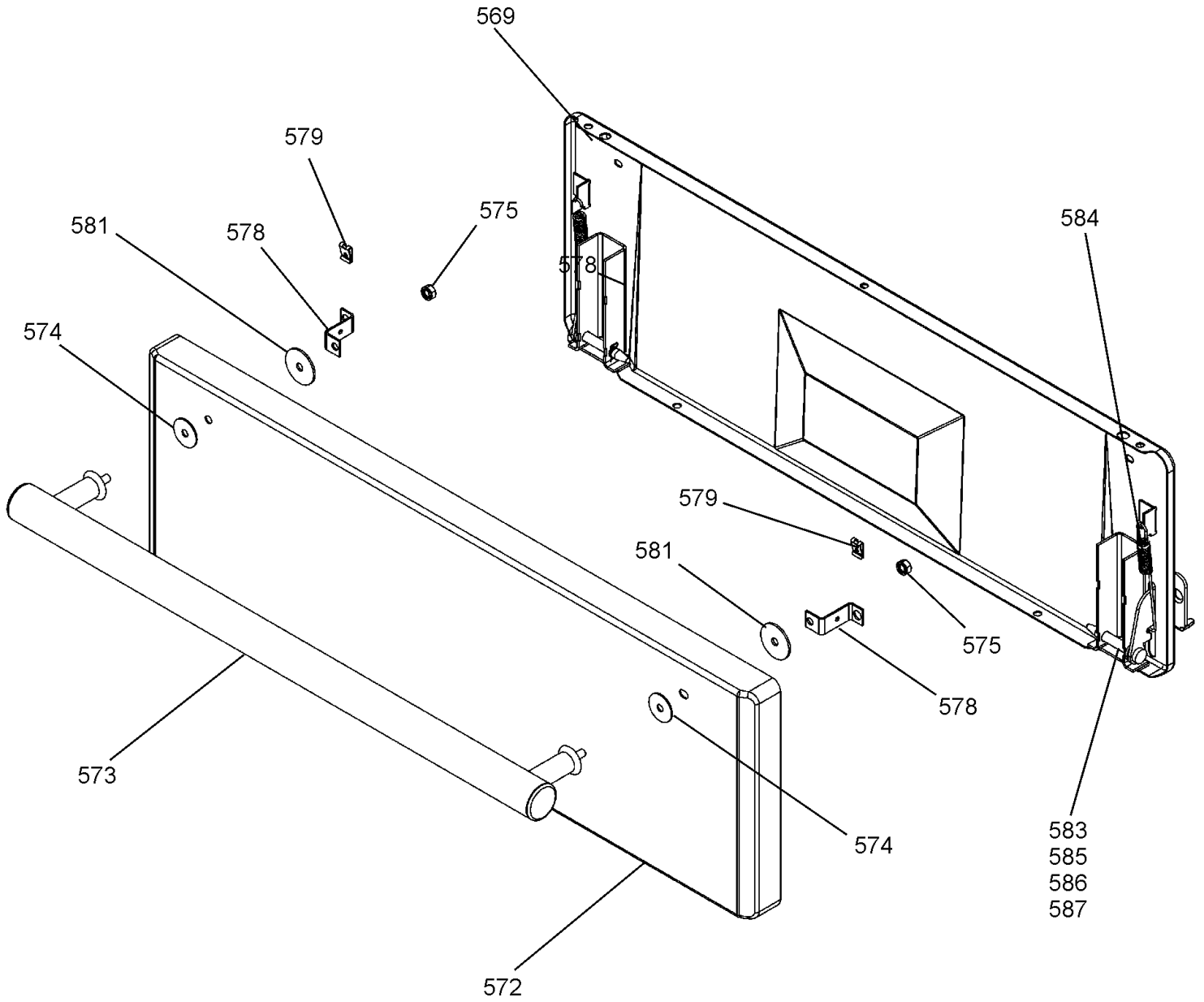
DSL0399 P04B

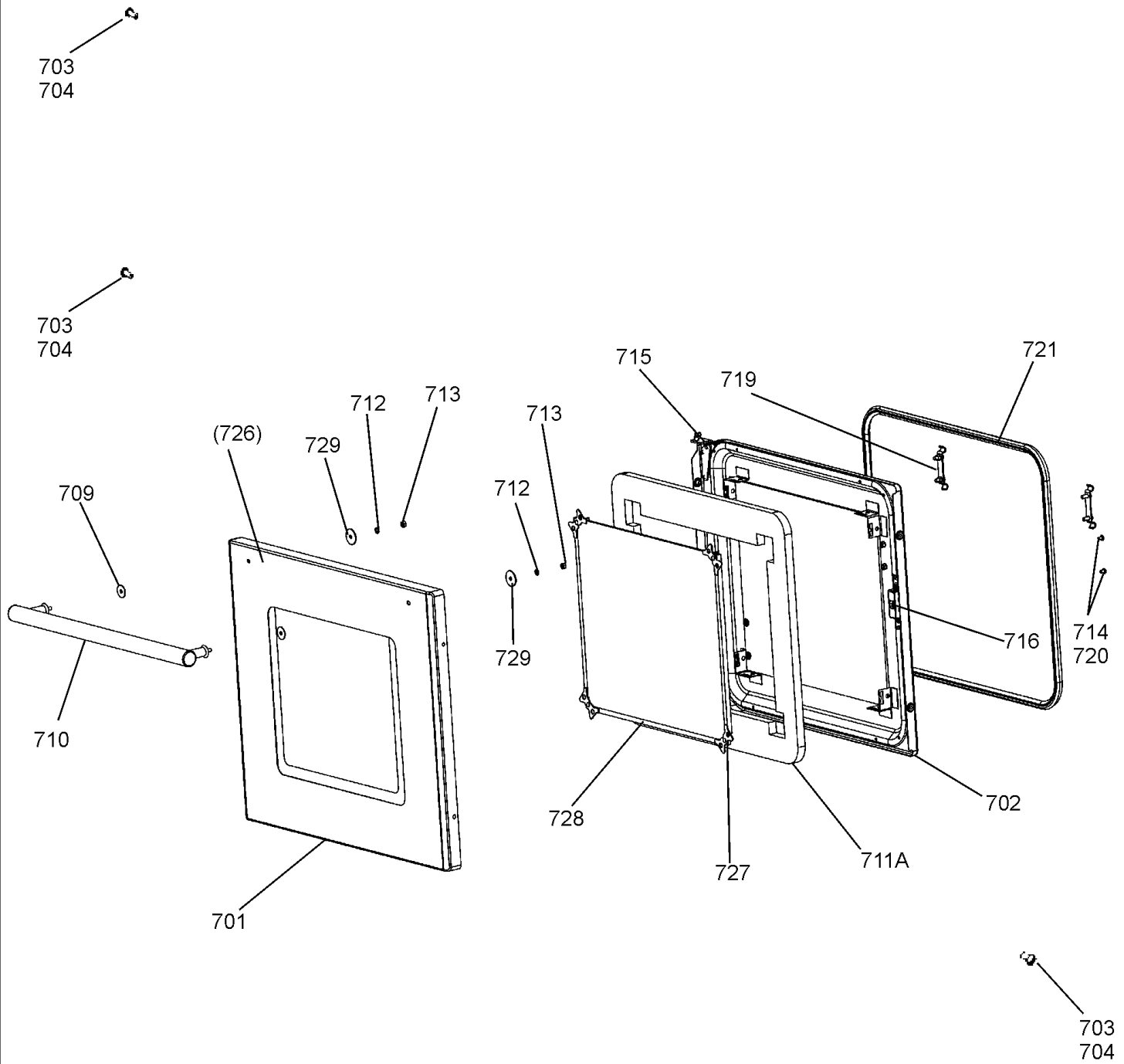
DATE 06.03.13 ISSUE STATUS 01



RH OVEN







LH DOOR ASSY

703
704

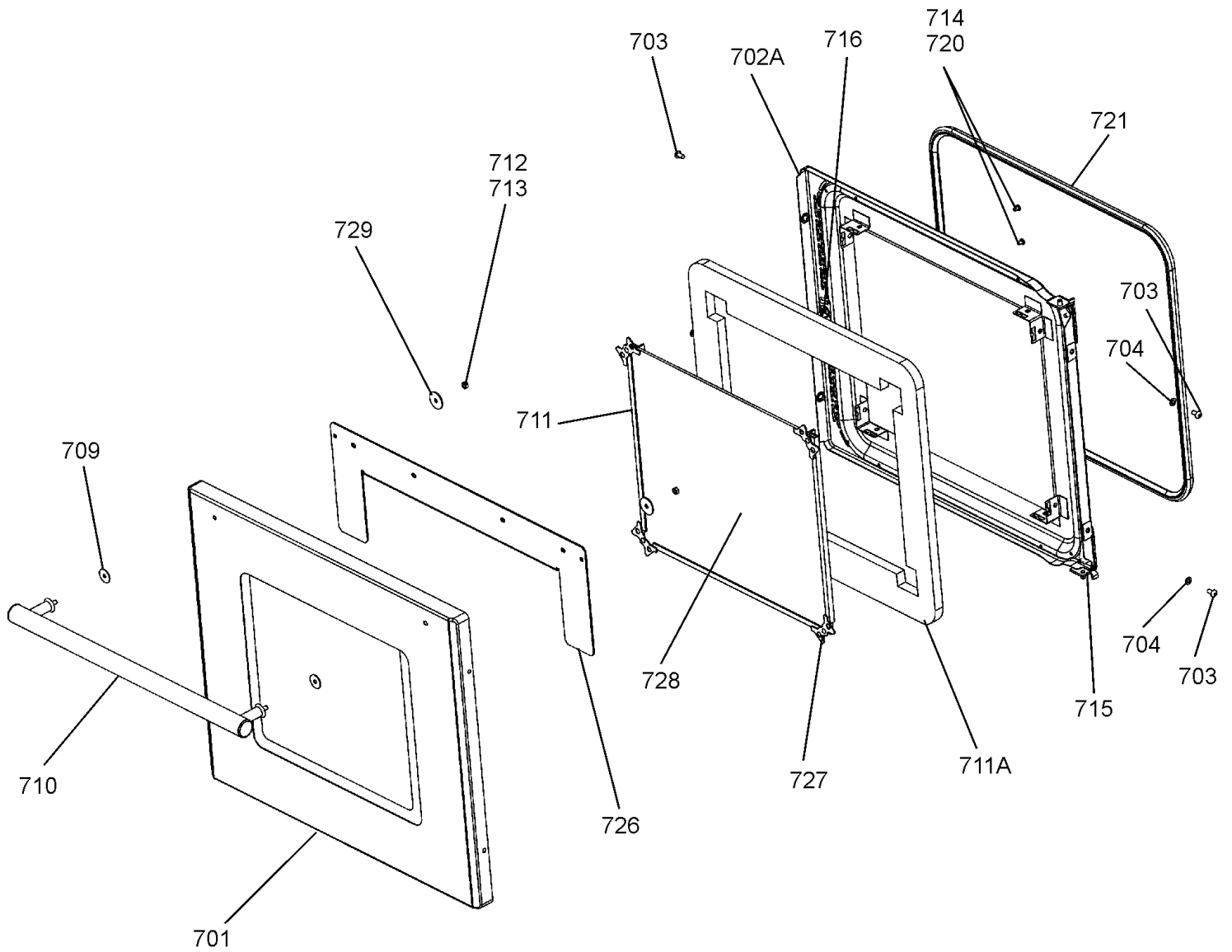
TOLEDO 110 INDUCTION

UP TO SERIAL NUMBER 157999 UK & EU

CURRENT FOR AUSTRALIA

DSL0399 P08

DATE 06.03.13 ISSUE STATUS 003



RH DOOR ASSY

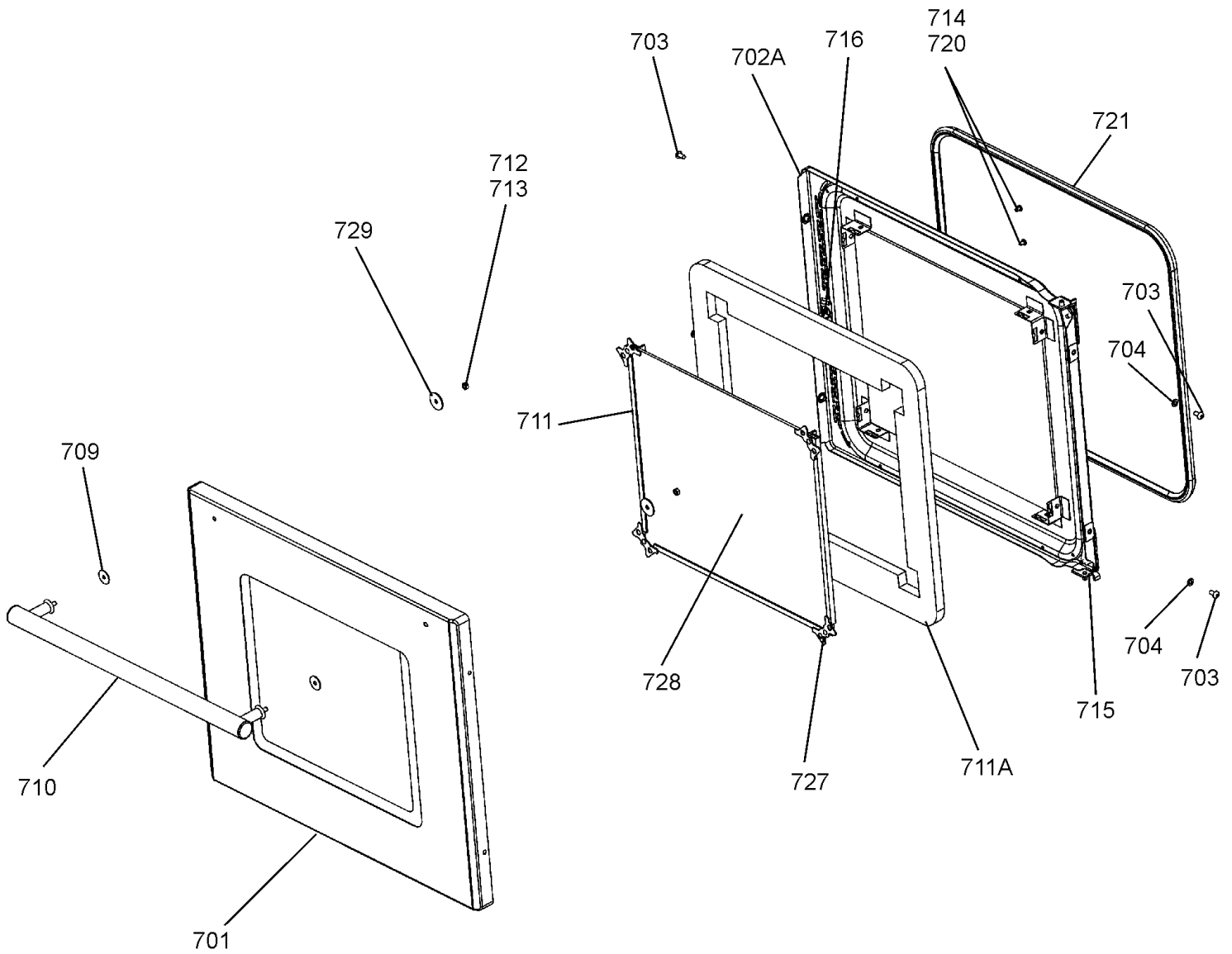
TOLEDO 110 INDUCTION

FROM SERIAL NUMBER 158000 UK & EU

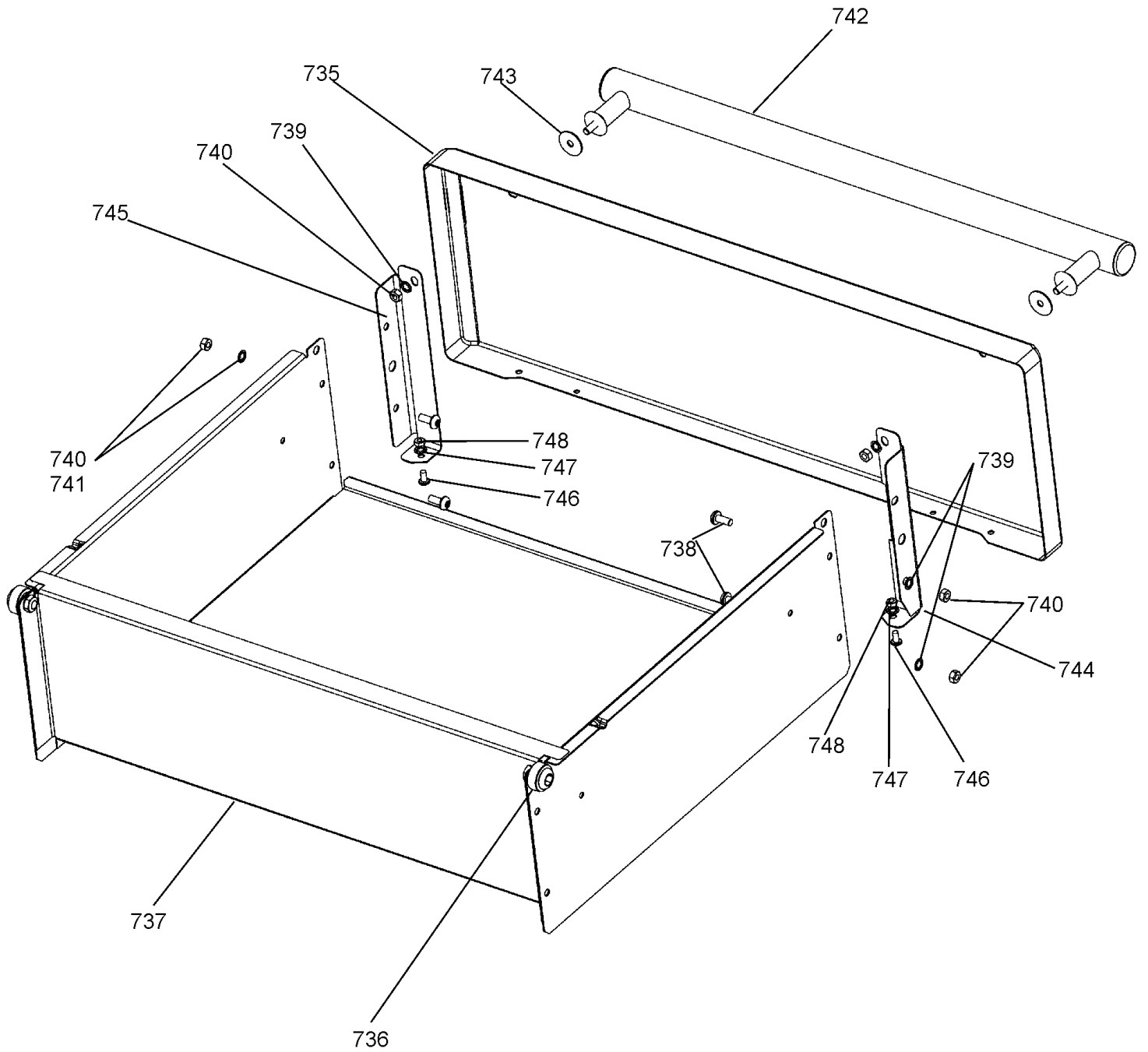
NOT FOR AUSTRALIA

DSL0399 P08A

DATE 06.03.13 ISSUE STATUS 003

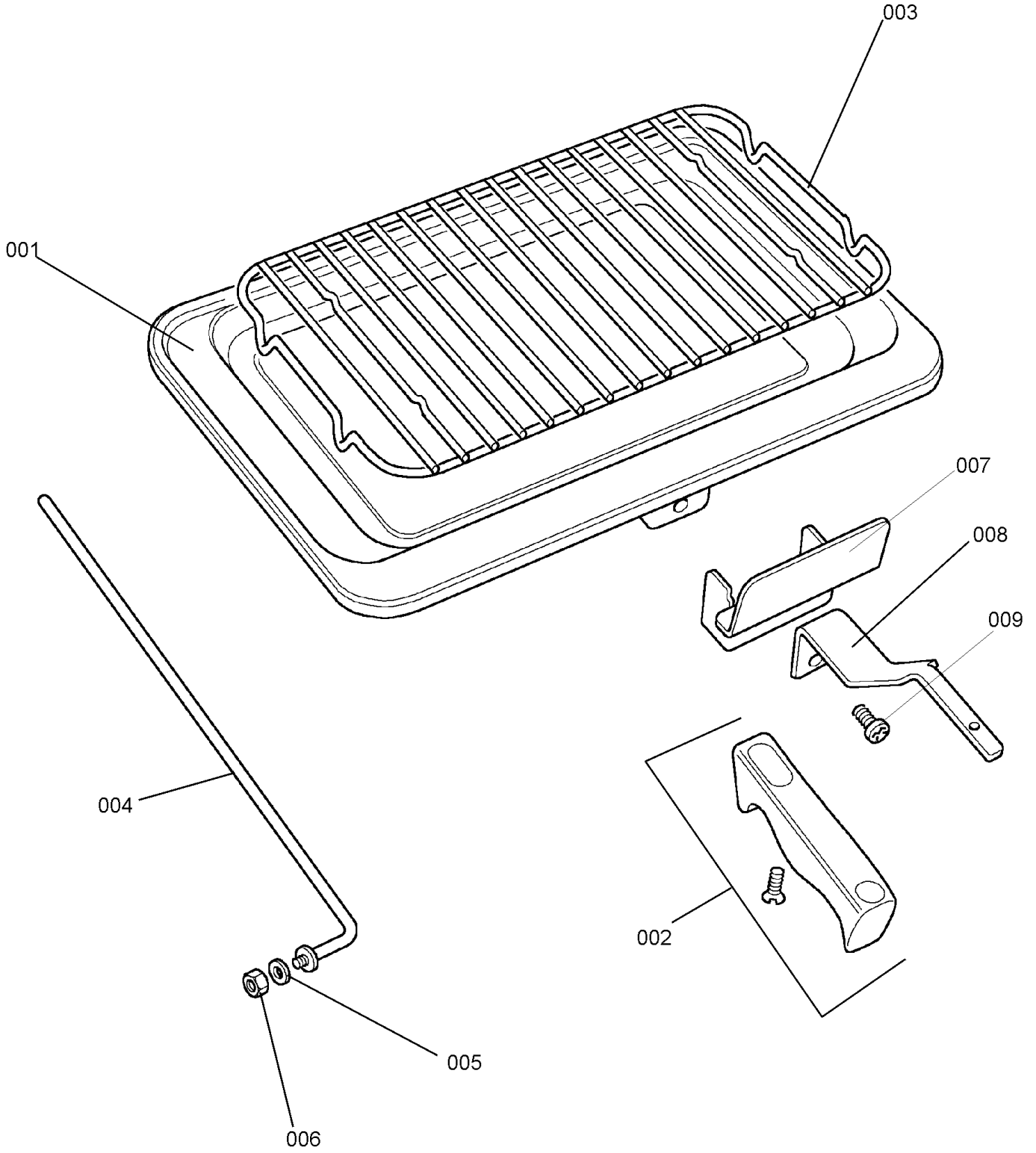


RH DOOR ASSY



TOLEDO 110 INDUCTION

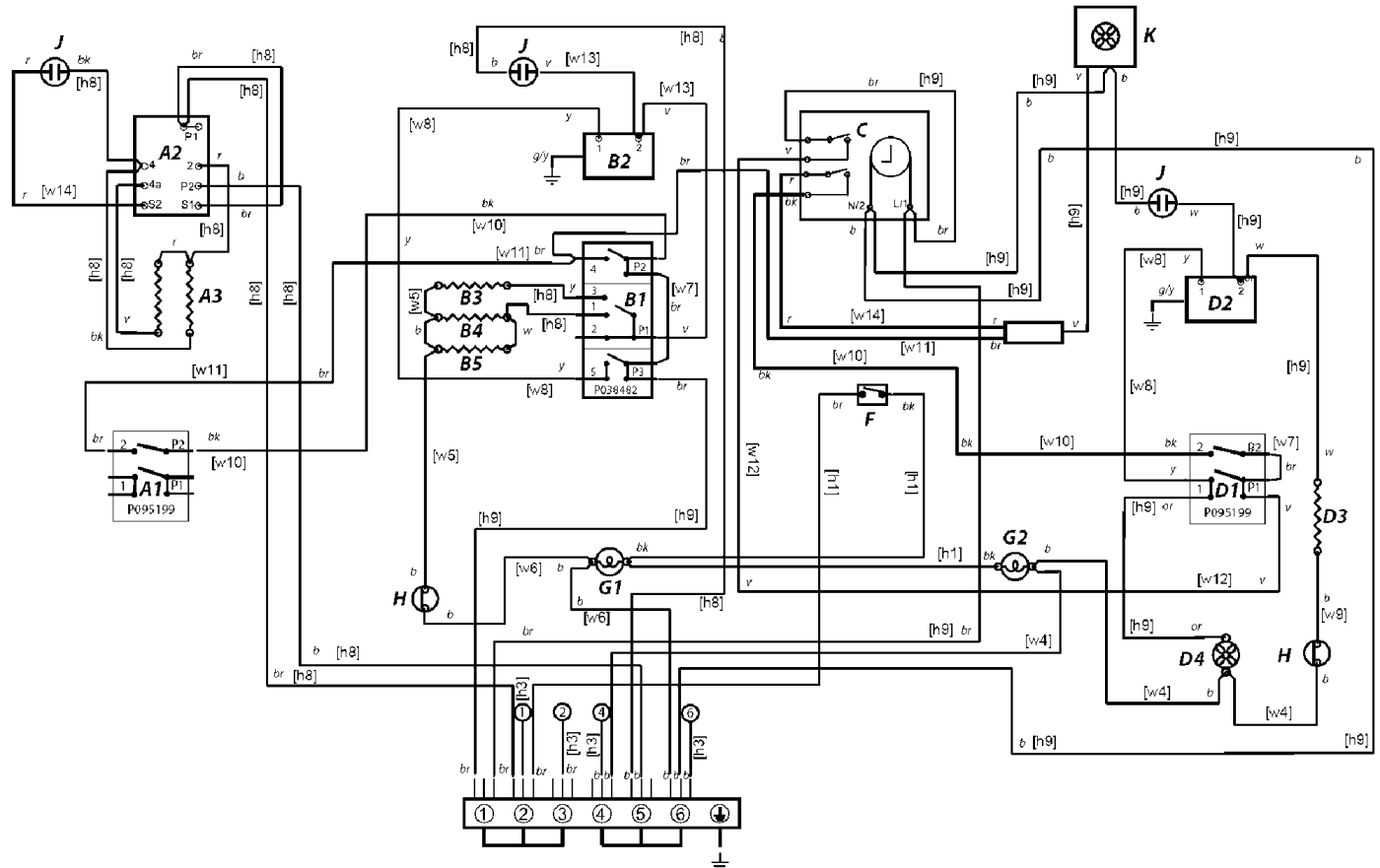
DATE 01.03.10 ISSUE STATUS 002



FROM SERIAL NUMBER 158000
UK & EU MODELS ONLY

DATE 06.03.13

ISSUE STATUS 01



Ref Number	Part number	Colour	Quantity	Remarks
[w1]	P043962	gr/y	1	Wire - (NI) Earth Link LH and RH Oven
[w2]	P094943	gr/y	2	Wire - (NI) Earth Link Thermostat Controls
[w3]	P055374	gr/y	2	Wire - (NI) Earth Link Grill Elements
[w4]	P043963	b	1	Wire - RH Oven Neutral
[w5]	P043964	b	1	Wire - LH Oven Neutral Top_Bottom Elements
[w6]	P043965	b	1	Wire - LH Oven Neutral_Thermal Trip_Lights
[w7]	P055344	br	2	Wire - Supply Link LH Oven Switch and RH Oven Switch
[w8]	P037863	y	2	Wire - LH and RH Oven Thermostat Link to Front Switch
[w9]	P040066	b	1	Wire - RH Oven Neutral Link to Thermal Trip
[w10]	P038186	bk	2	Wire - RH OVEN COOLING FAN CONTROL_LH OVEN COOLING FAN FEED
[w11]	P059645	br	1	Wire - Cooling Fan Front Switch Link Wire
[w12]	P045407	v	1	Wire - RH Oven Supply
[w13]	P033367	v	1	Wire - LH Oven Thermostat and Neon Supply
[w14]	P040719	r	2	Wire - Grill Neon Link to Energy Regulator
[h1]	P040760	br/b/g	1	Harness - (NI) Rotary Control 1
[h2]	P051839	br/b/g	1	Harness - (NI) MAINS POWER - CONNECTOR BLOCK - INDUCTION UNIT
[h3]	P052814	br/b/g	1	Harness - MAINS POWER - TERMINAL BLOCK - CONNECTOR BLOCK
[h4]	P043939	br	1	Harness - (NI) Rotary Control 5
[h5]	P043937	br	1	Harness - (NI) Rotary Control 3 & 4
[h6]	P043936	br	2	Harness - (NI) Rotary Control 2
[h7]	P040924	br	1	Harness - LIN Connection K6 to Interface Board
[h8]	P051766	br	1	Harness - LH Oven and Grill
[h9]	P045530	br/b/r/bk/w/y/v	1	Harness - LH Oven and Grill
[h9]	P059544	br/b/or/w	1	Harness - RH Oven Harness

NI Not Illustrated

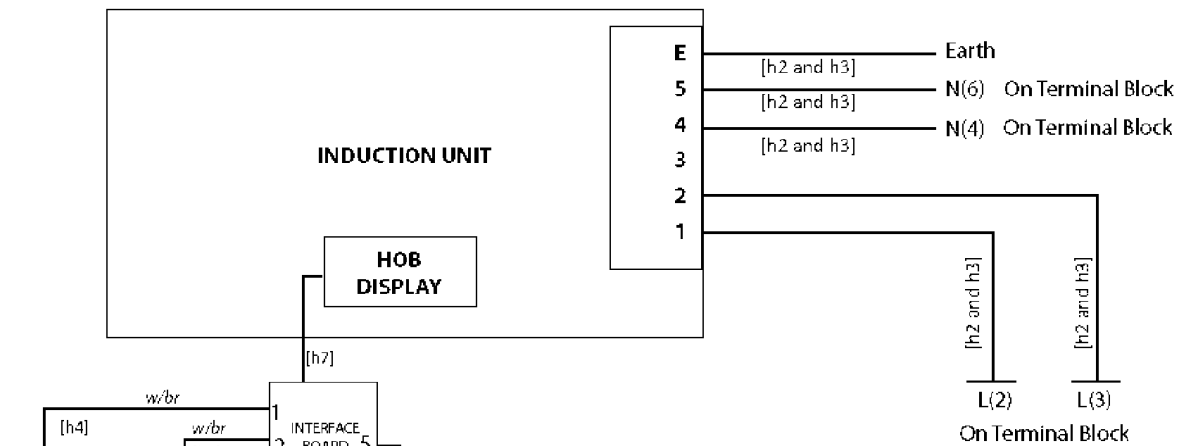
w - Single Cable / Single Cable with multiple terminations

h - Harness Assembly (Including Single Wires that are Sheathed)

Code	Description
A1	Grill Front Switch
A2	Grill Energy Regulator
A3	Grill Elements
B1	Zoned Oven Front Switch
B2	Zoned Oven Thermostat
B3	Zoned oven browning element (inner pair)
B4	Zoned oven top element (outer pair)
B5	Zoned Oven Base Element
C	Clock / Oven Function Timer

Code	Description
D1	Right Hand Oven Front Switch
D2	Right Hand Oven Thermostat
D3	Right-Hand Fan Oven element
D4	Right-Hand Oven fan
F	Ovens Light Switch
G1	Oven Light LH Oven
G2	Oven Light RH Oven
H	Thermal cut-out
J	Neon
K	Cooling Fan

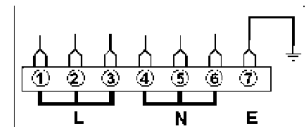
Code	Colour
b	Blue
br	Brown
bk	Black
or	Orange
r	Red
v	Violet
w	White
y	Yellow
g/y	Green/Yellow
gr	Grey



KEY

1	Front left
2	Rear left
3	Rear right
4	Front right
5	Centre
w/br	White or Brown

Ref Number	Part number	Colour	Quantity	Remarks
h4	F043039	br	3	Harness - Rotary Control 1,2 and 5
h5	F043037	br	1	Harness - Rotary Control 3
h6	F043036	br	1	Harness - Rotary Control 4
h7	F051766	br	1	Harness - LN Connection K6 to Interface Board
h2	F061639	br/big	1	Harness - MAINS POWER - CONNECTOR BLOCK - INDUCTION UNIT
h3	F052614	br/big	1	Harness - MAINS POWER - TERMINAL BLOCK - CONNECTOR BLOCK



110 cm
INDUCTION UNIT