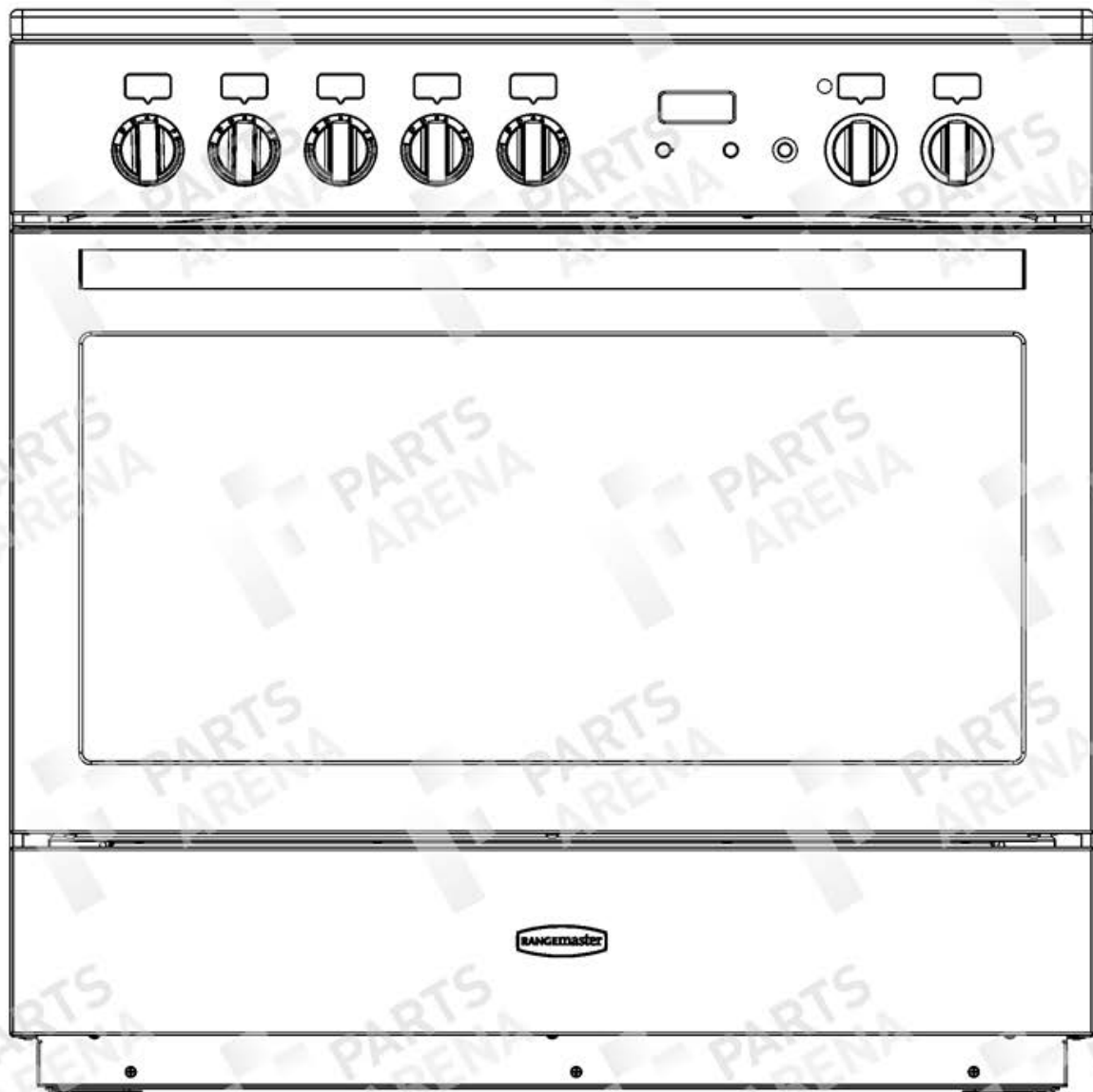


APPLIANCE NAME:  
PROFESSIONAL + FX  
INDUCTION

DATE 03.06.11

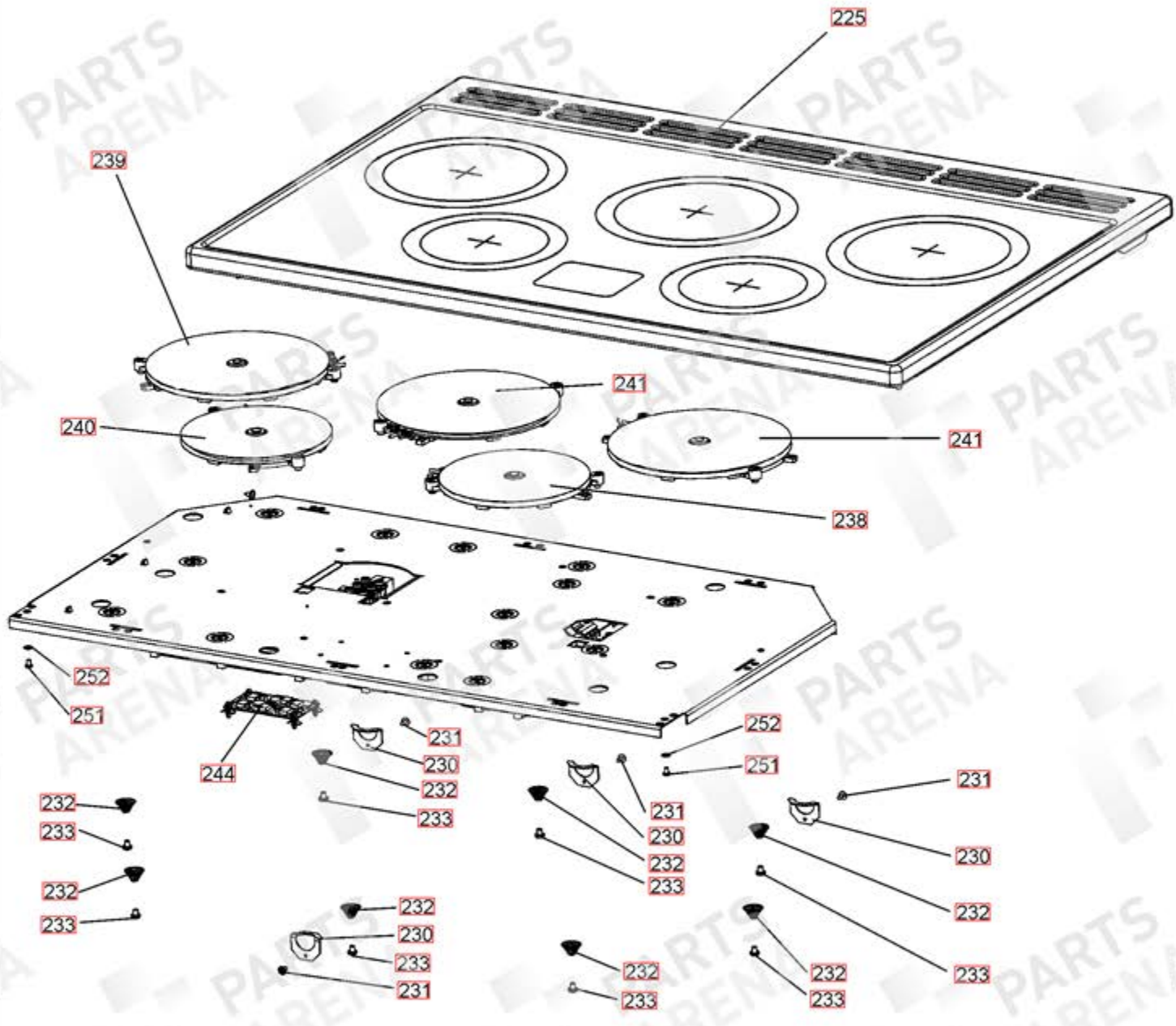
**DSL0466 P00**  
ISSUE STATUS 01



APPLIANCE NAME:  
PROFESSIONAL + FX  
INDUCTION

DATE 02.07.15

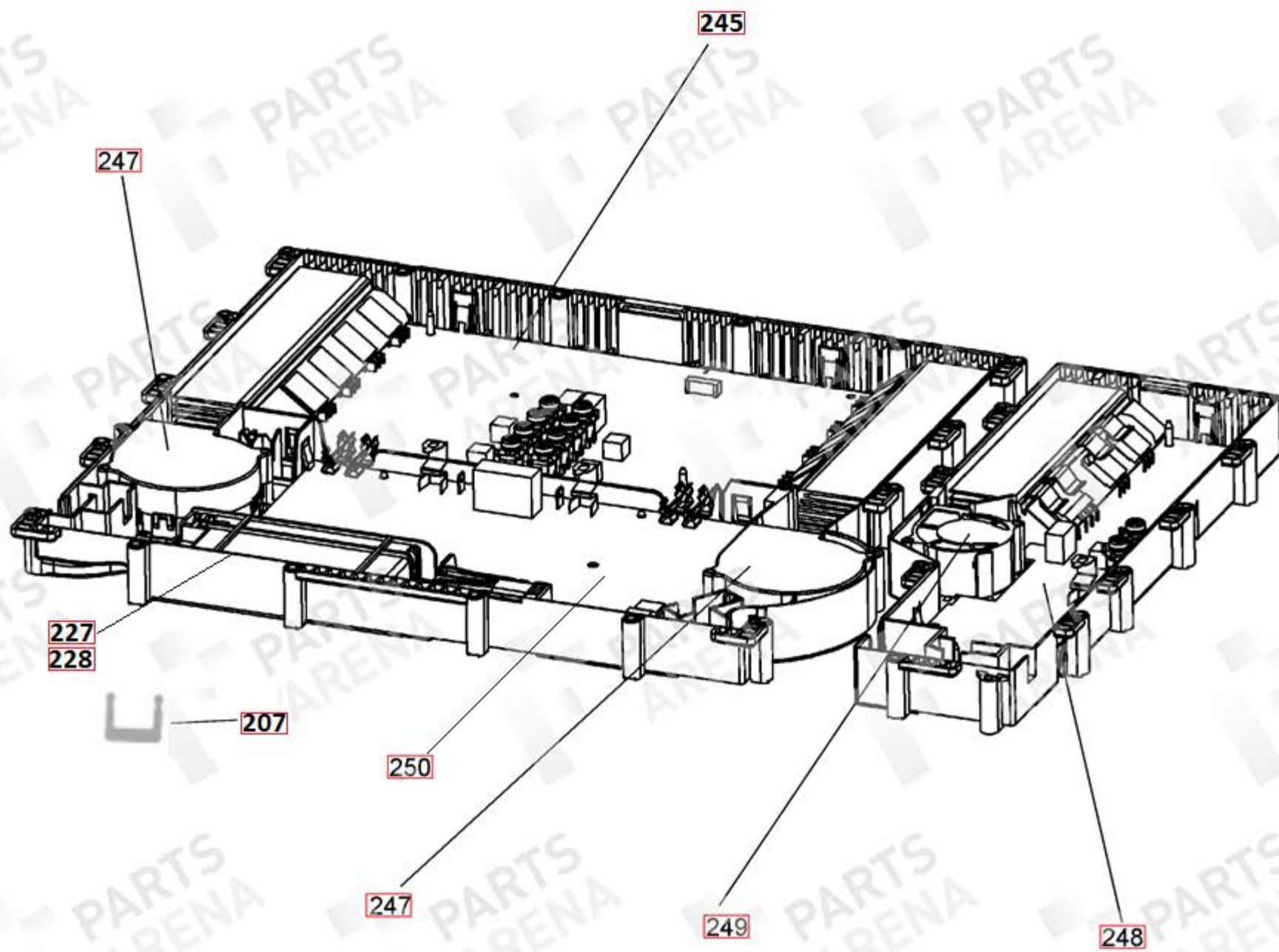
DSL0466 P01  
ISSUE STATUS 02

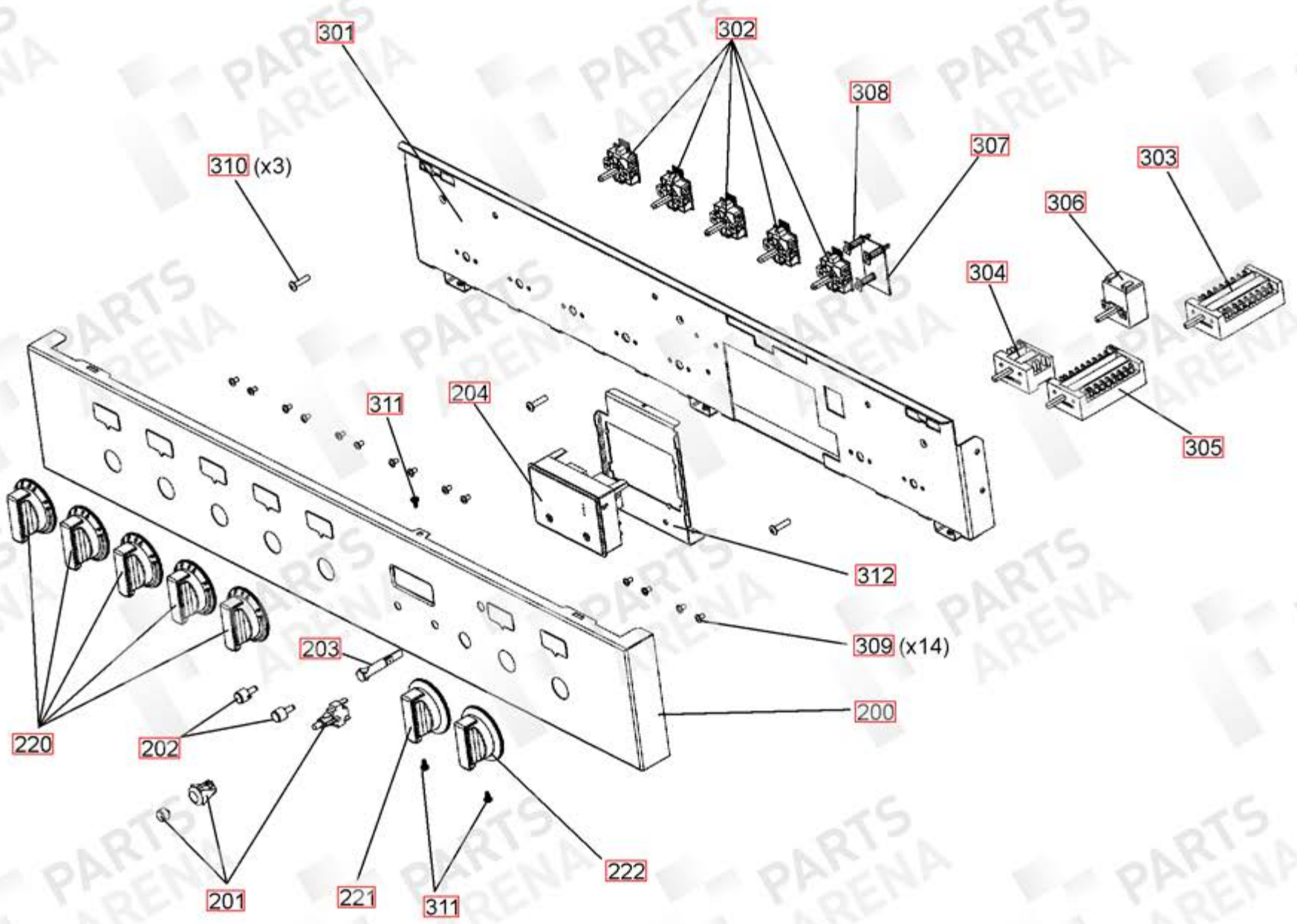


APPLIANCE NAME:  
PROFESSIONAL + FX  
INDUCTION

DATE 03.06.11

DSL0466 P02  
ISSUE STATUS 01



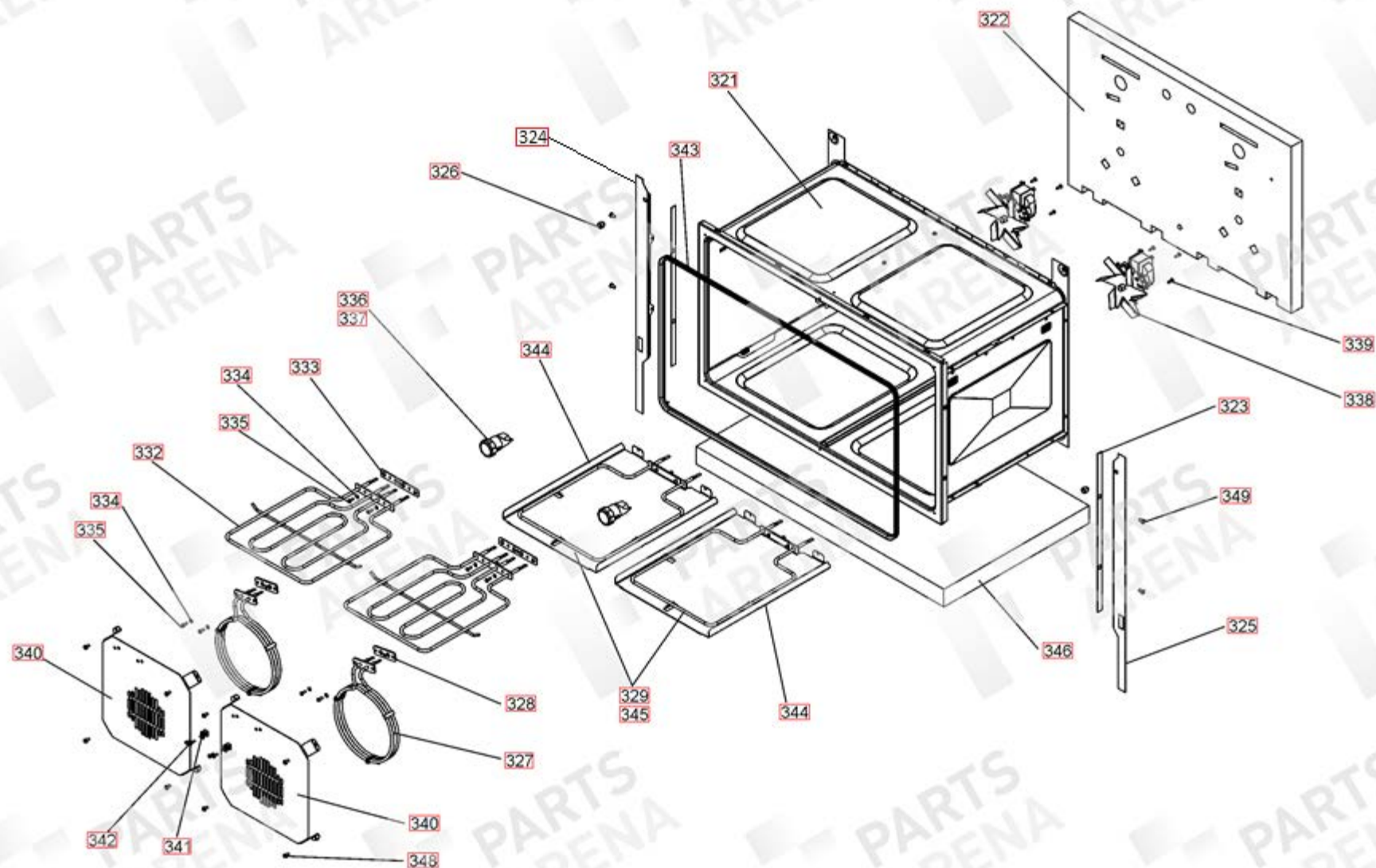


APPLIANCE NAME:  
PROFESSIONAL + FX  
INDUCTION

DATE 03.06.11

DSL0466 P04

ISSUE STATUS 01



APPLIANCE NAME:  
PROFESSIONAL + FX  
INDUCTION

DATE 03.06.11

DSL0466 P05  
ISSUE STATUS 01

414  
428  
429  
427

422  
423

430  
431

707

403  
404

421

420

408

407

405  
406

400

401

411

410

409

418

416

419

417

426

425

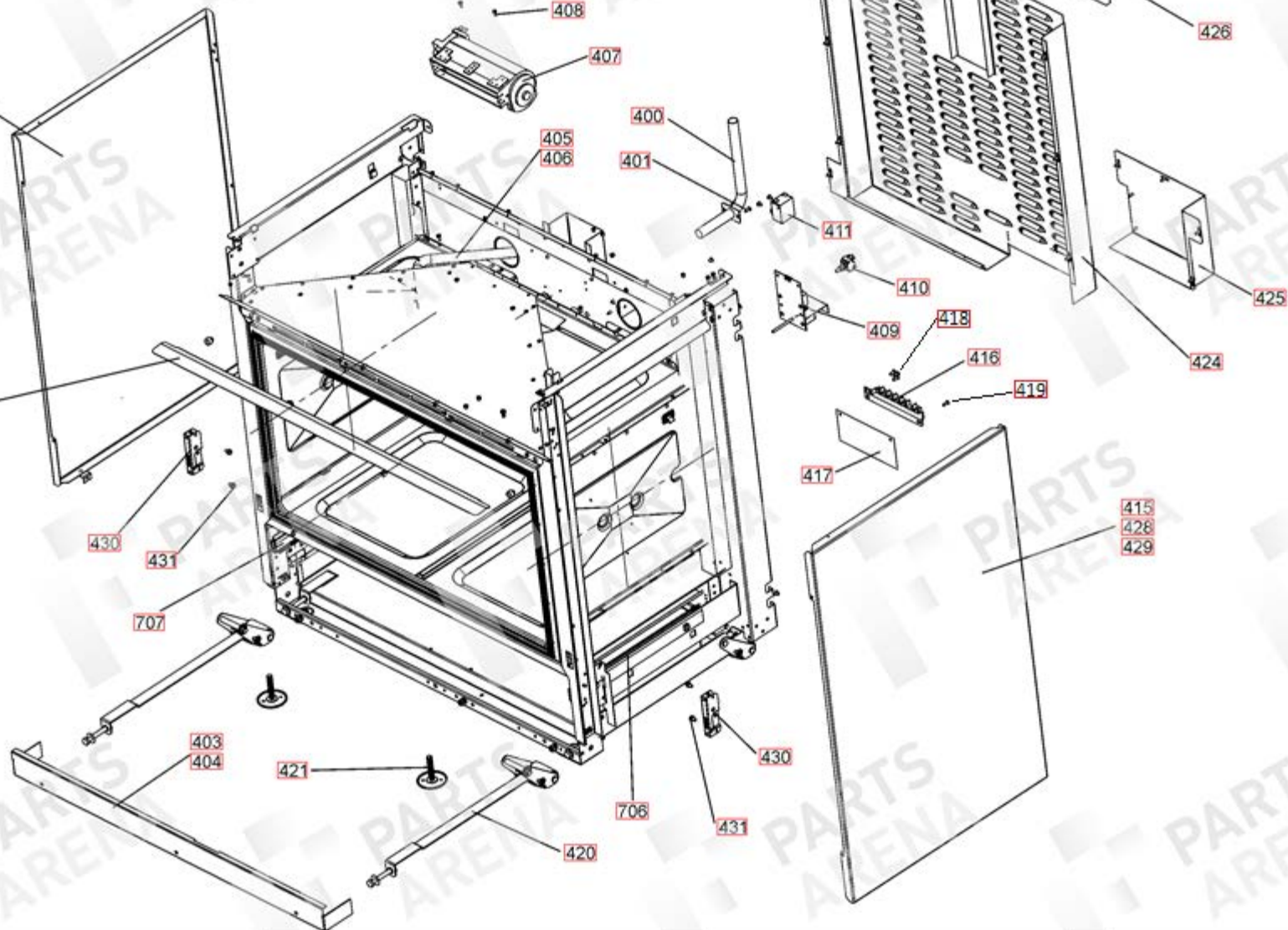
424

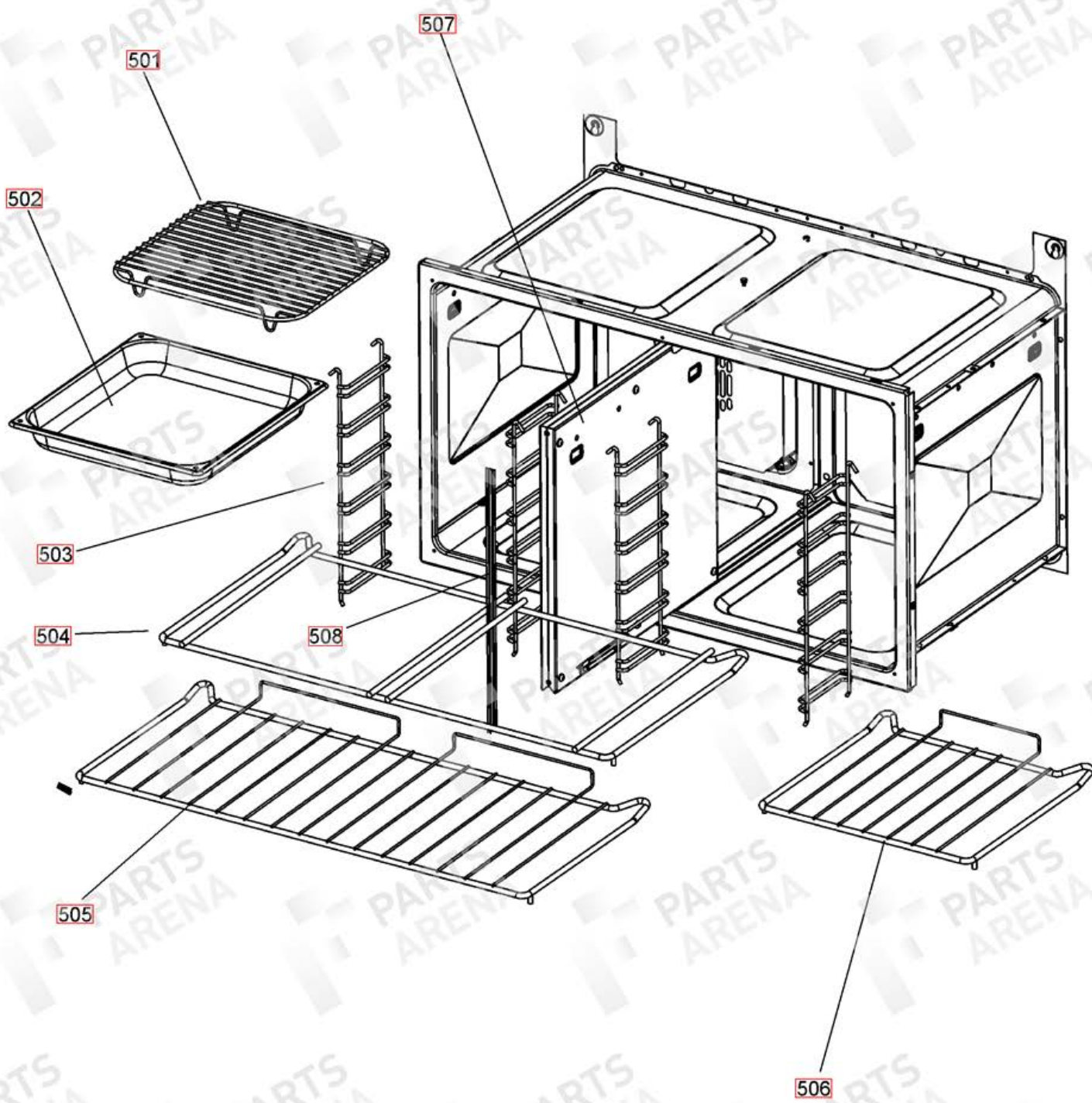
415  
428  
429

430

706

431

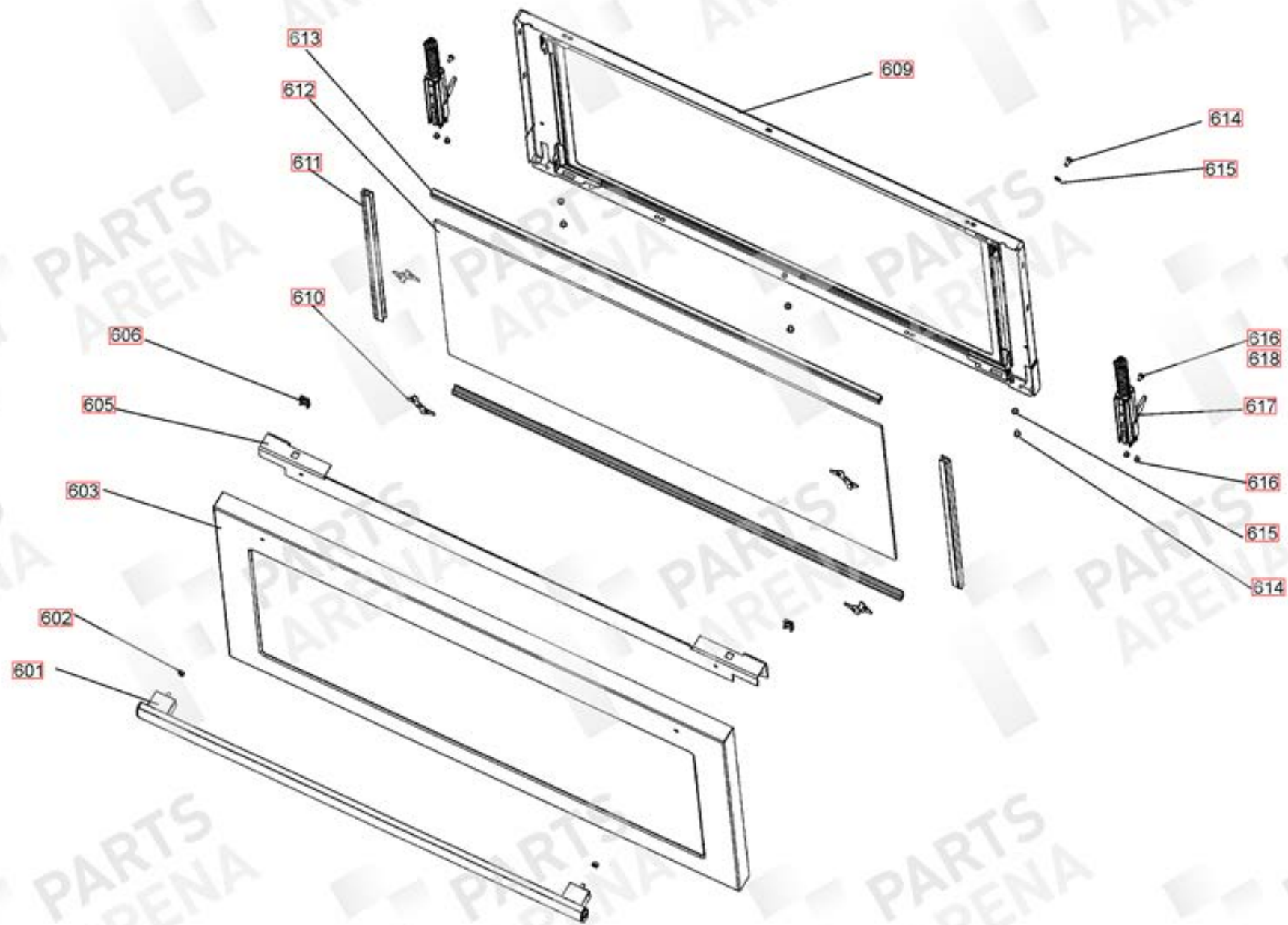




APPLIANCE NAME:  
PROFESSIONAL + FX  
INDUCTION

DATE 03.06.11

DSL0466 P07  
ISSUE STATUS 01

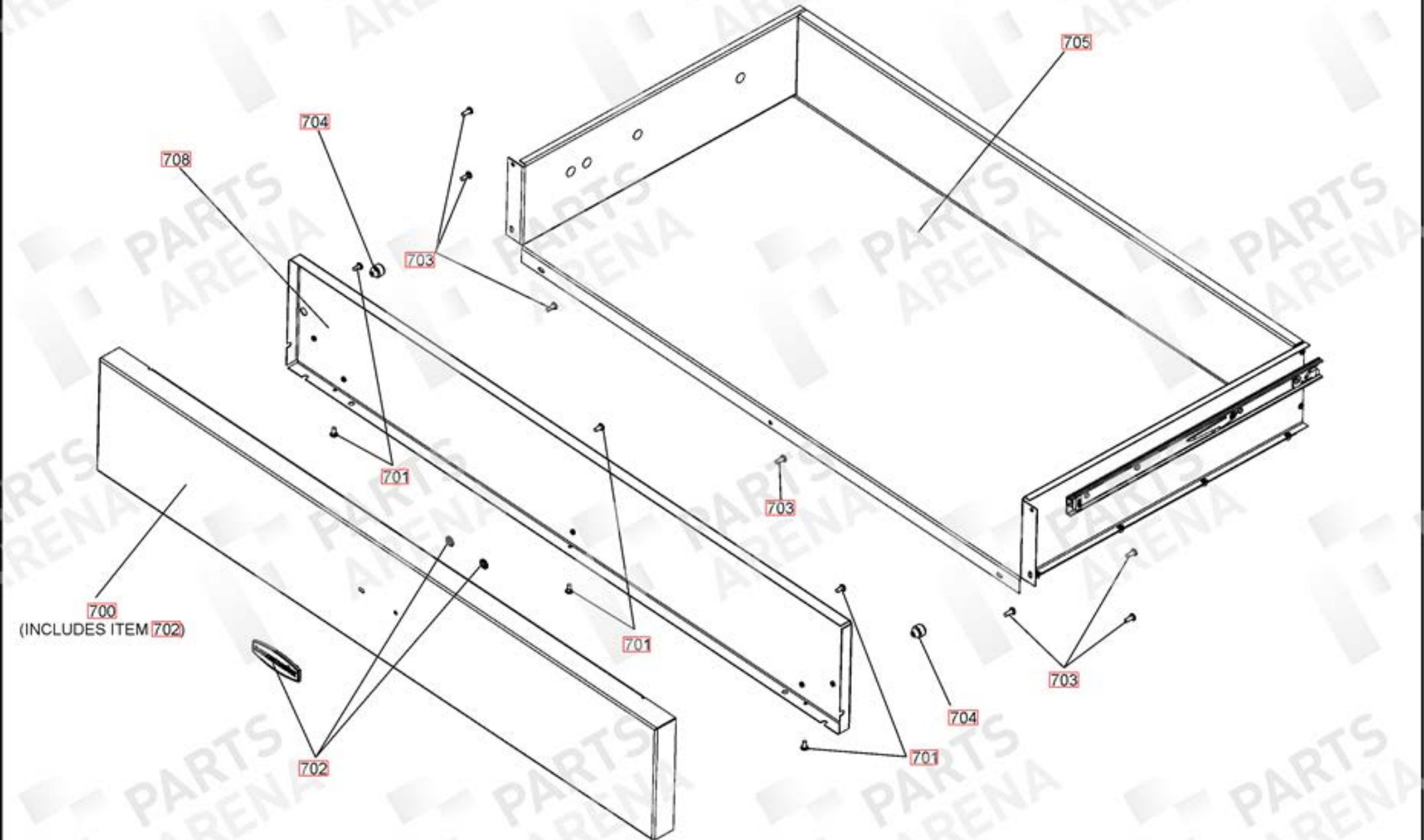


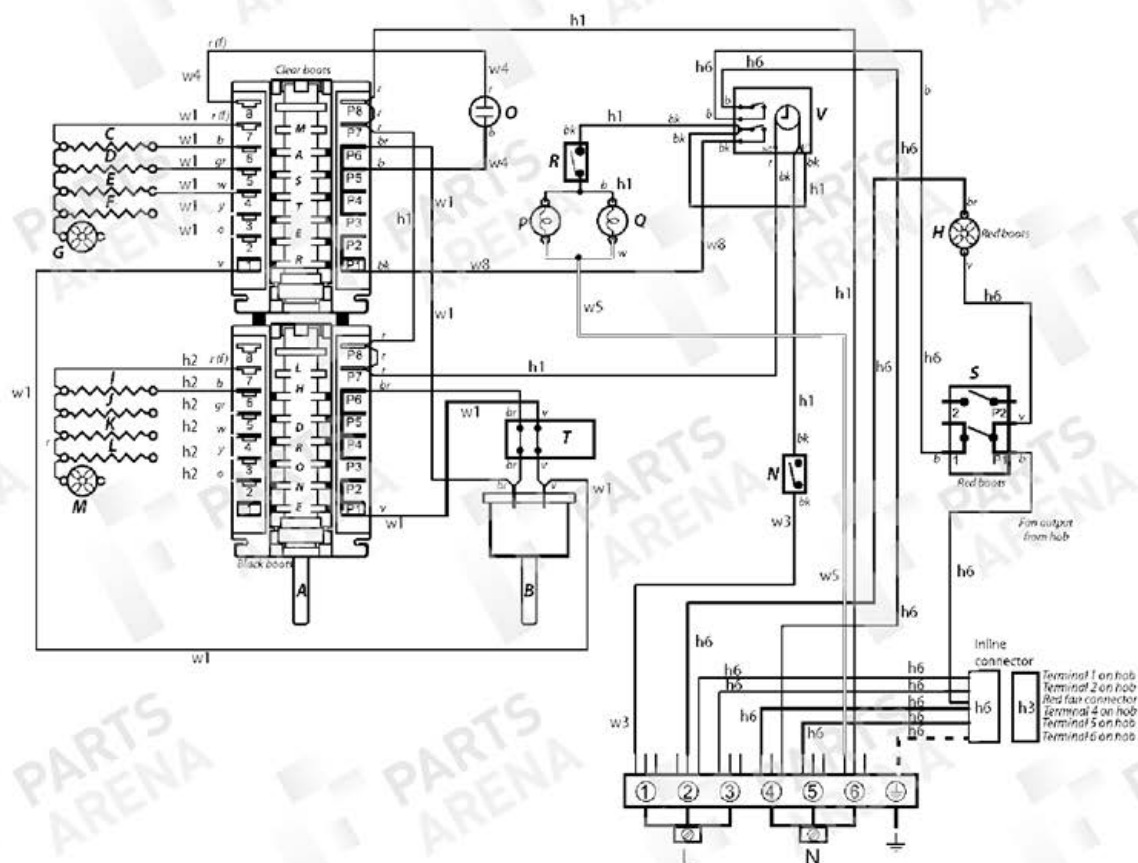


APPLIANCE NAME:  
PROFESSIONAL + FX  
INDUCTION

DATE 03.06.11

DSL0466 P08  
ISSUE STATUS 01





Key	Ref Number	Part number	Quantity	Remarks
801	w1	P051897	1	MASTER HARNESS FX INDUCTION
802	h1	P051837	1	FEED HARNESS FX INDUCTION
803	h2	P051836	1	DRONE HARNESS FX INDUCTION
804	h6	P051838	1	HOB SUPPLY HARNESS , TERMINAL BLOCK
805	h3	P051839	1	HOB SUPPLY HARNESS , MALE BULKHEAD C
806	h4	P045124	2	WIRE ASSY EARTHS
807	w3	P046247	1	PROTECT FEED
808	w4	P045216	1	NEON FEED HARNESS
809	w5	P045123	1	WIRE ASSY LIGHTS NEUTRAL
810	w6	P051766	1	HARNESS - 8 WIRE LIN BUS
811	w7	P052123	1	EARTH WIRE ASSY. TWIN FEMALE SPADE
815	w8	P049233	1	FEED WIRE
816	w9	P043939	2	WIRE ROTARY CONTROL
817	w10	P043937	1	WIRE ROTARY CONTROL
818	w11	P043936	1	WIRE ROTARY CONTROL
819	w12	P040924	1	CABLE - PCB TO ROTARY CONTROL
820	w13	P094943	1	WIRE ASSEMBLY

Code	Description
A	Function controller
B	Temperature controller
C	Right-hand bottom element
D	Right-hand top element (outer)
E	Right-hand top element (inner)
F	Right-hand fan element
G	Right-hand fan
H	Cooling fan
I	Left-hand bottom element
J	Left-hand top element (outer)
K	Left-hand top element (inner)

Code	Description
L	Left-hand fan element
M	Left-hand fan
N	Thermostat protection
O	Oven neon
P	Oven light
Q	Oven light
R	Oven light switch
S	Thermostat front switch
T	Divider switch
V	Timer

Code	Colour
b	Blue
br	Brown
bk	Black
or	Orange
r	Red
v	Violet
w	White
y	Yellow
g/y	Green/yellow
gr	Grey
r(f)	Red (flag)