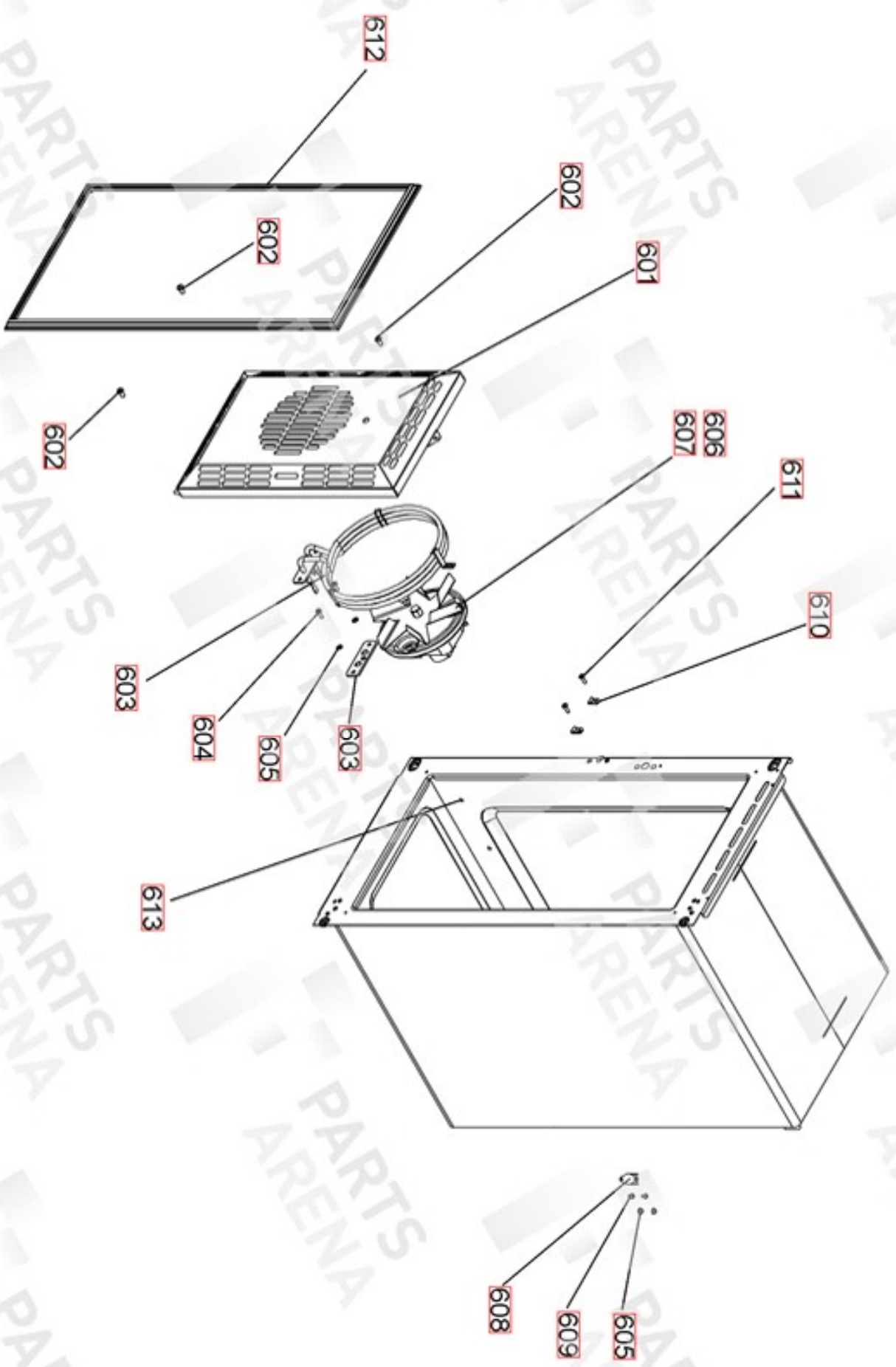
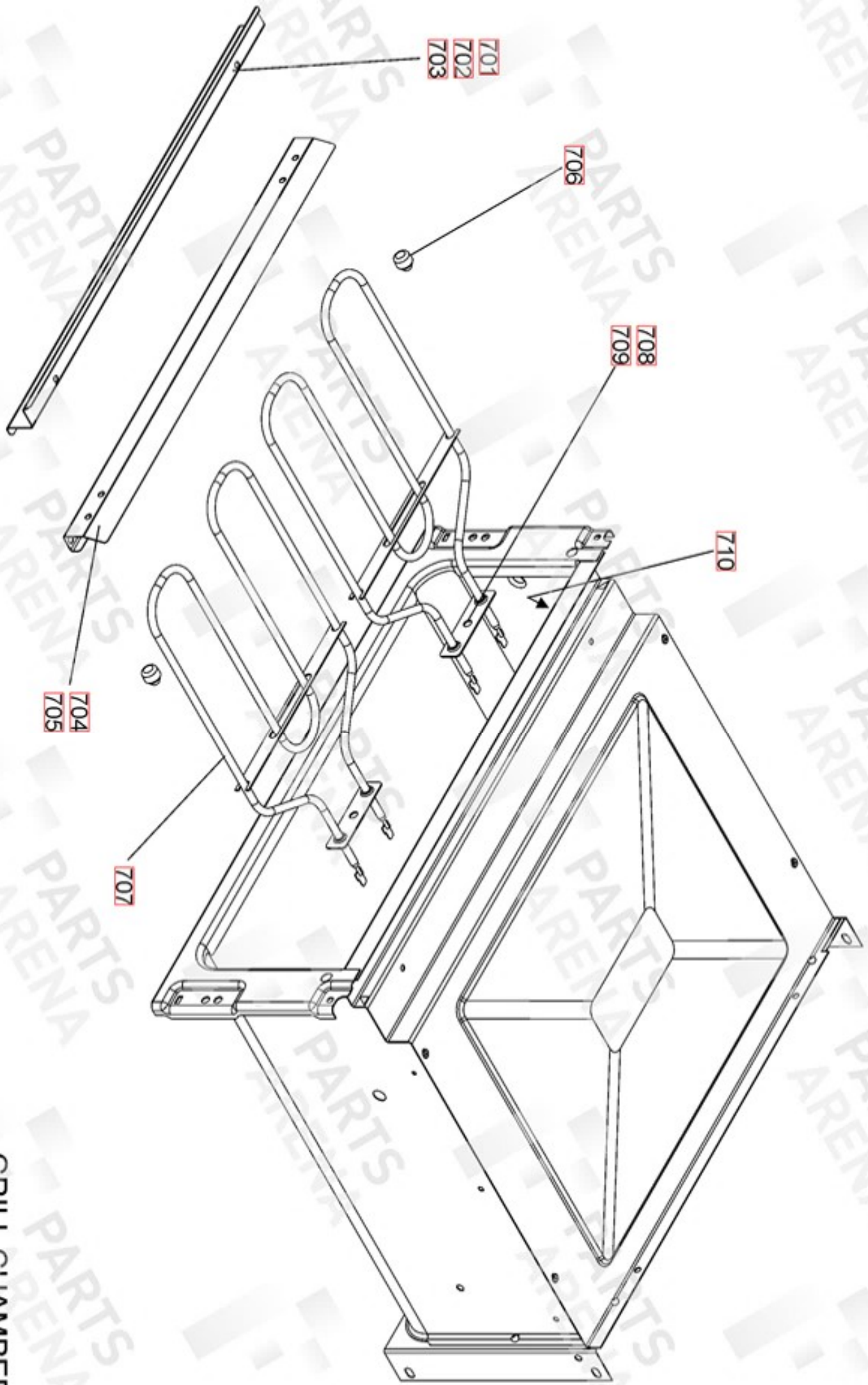


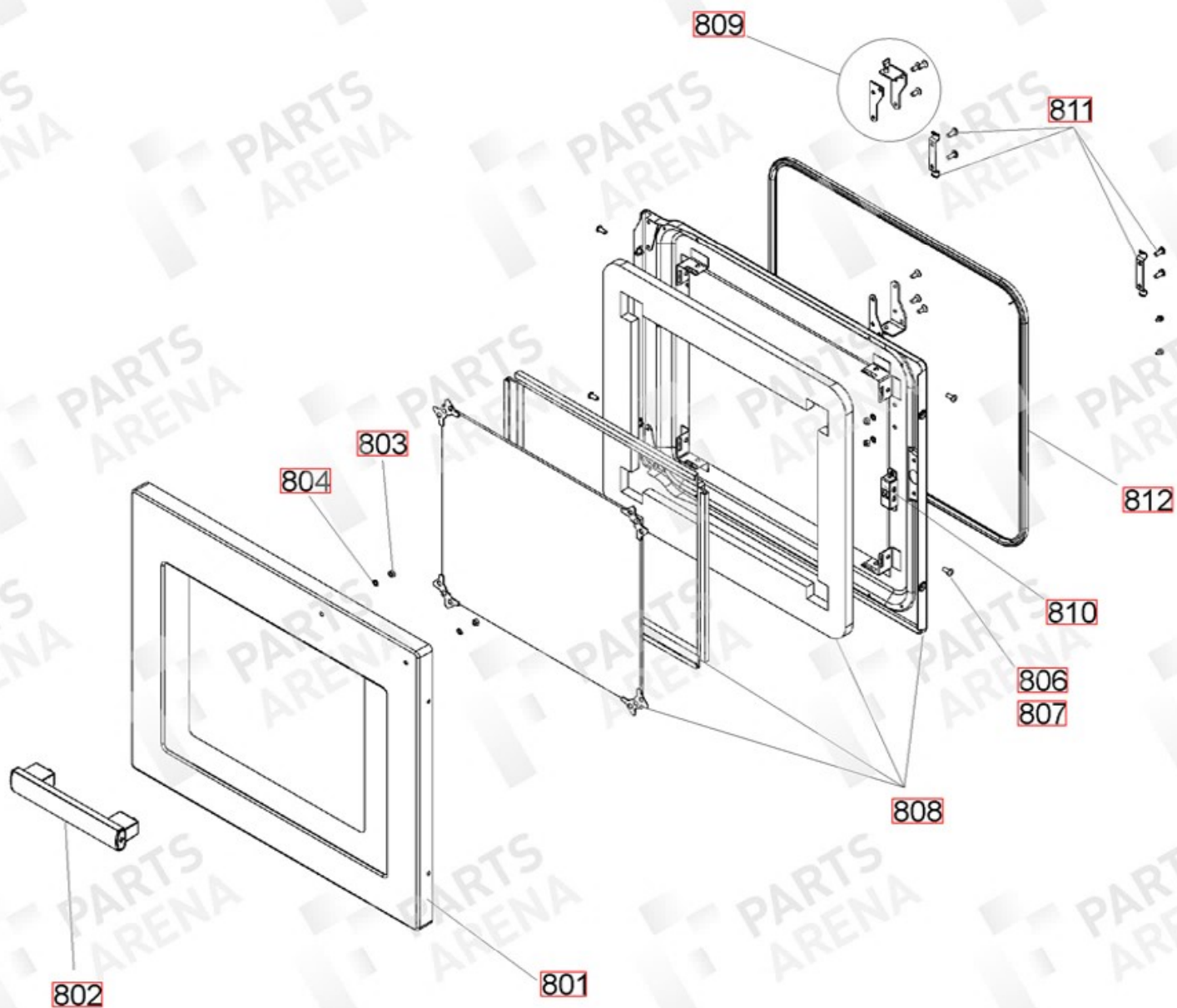
LH OVEN (FAN+LIGHT)

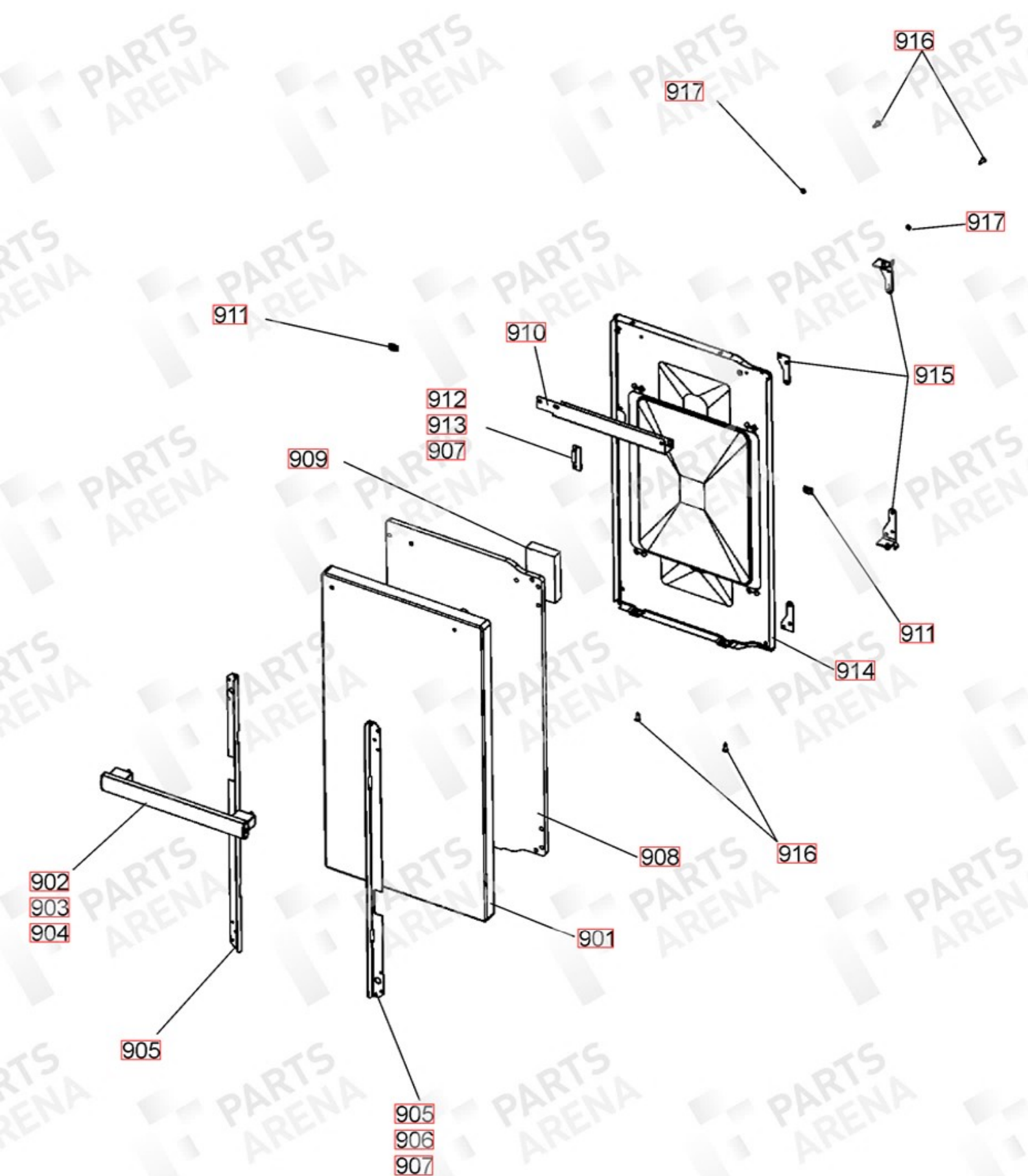


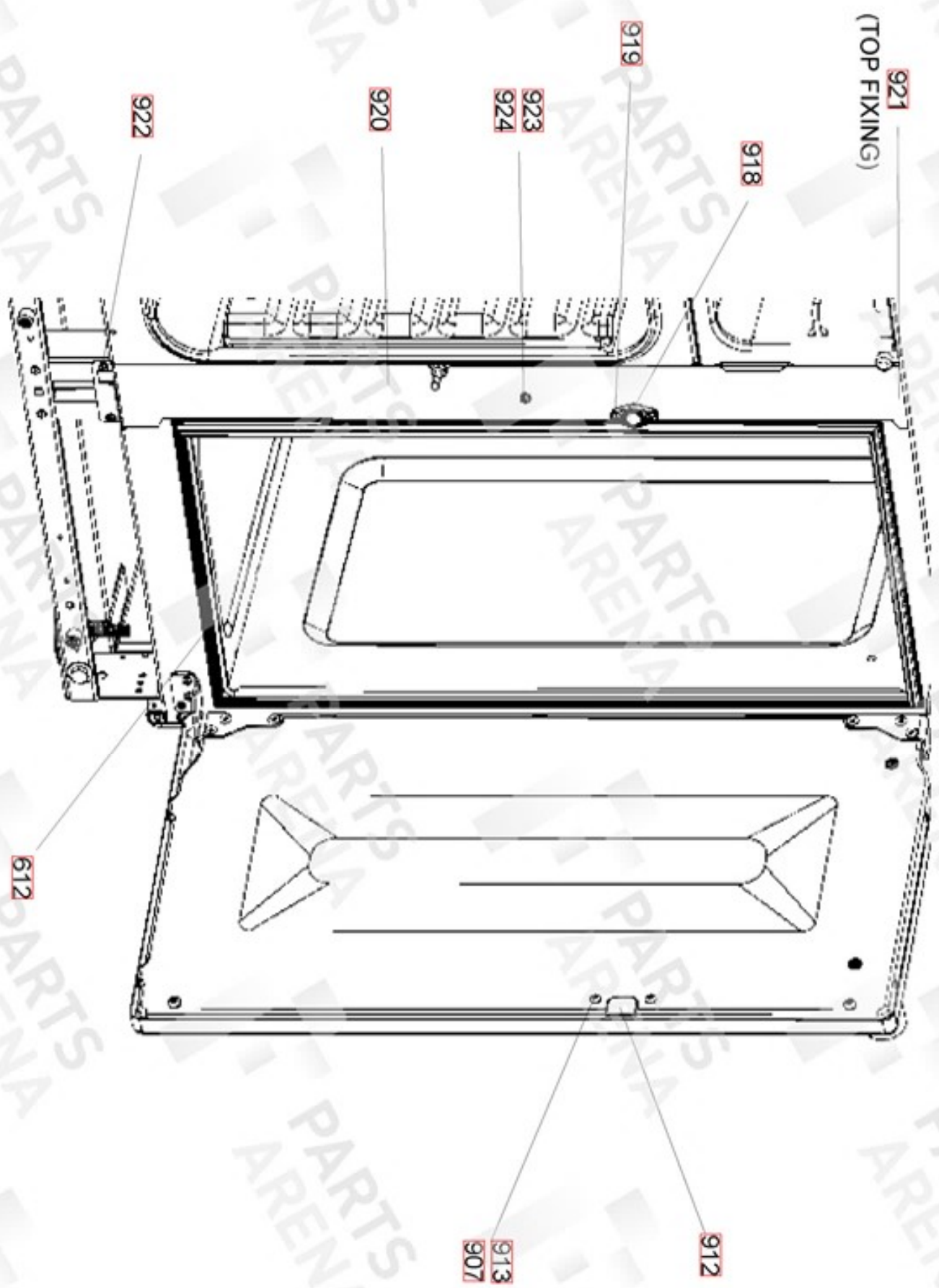
TALL OVEN

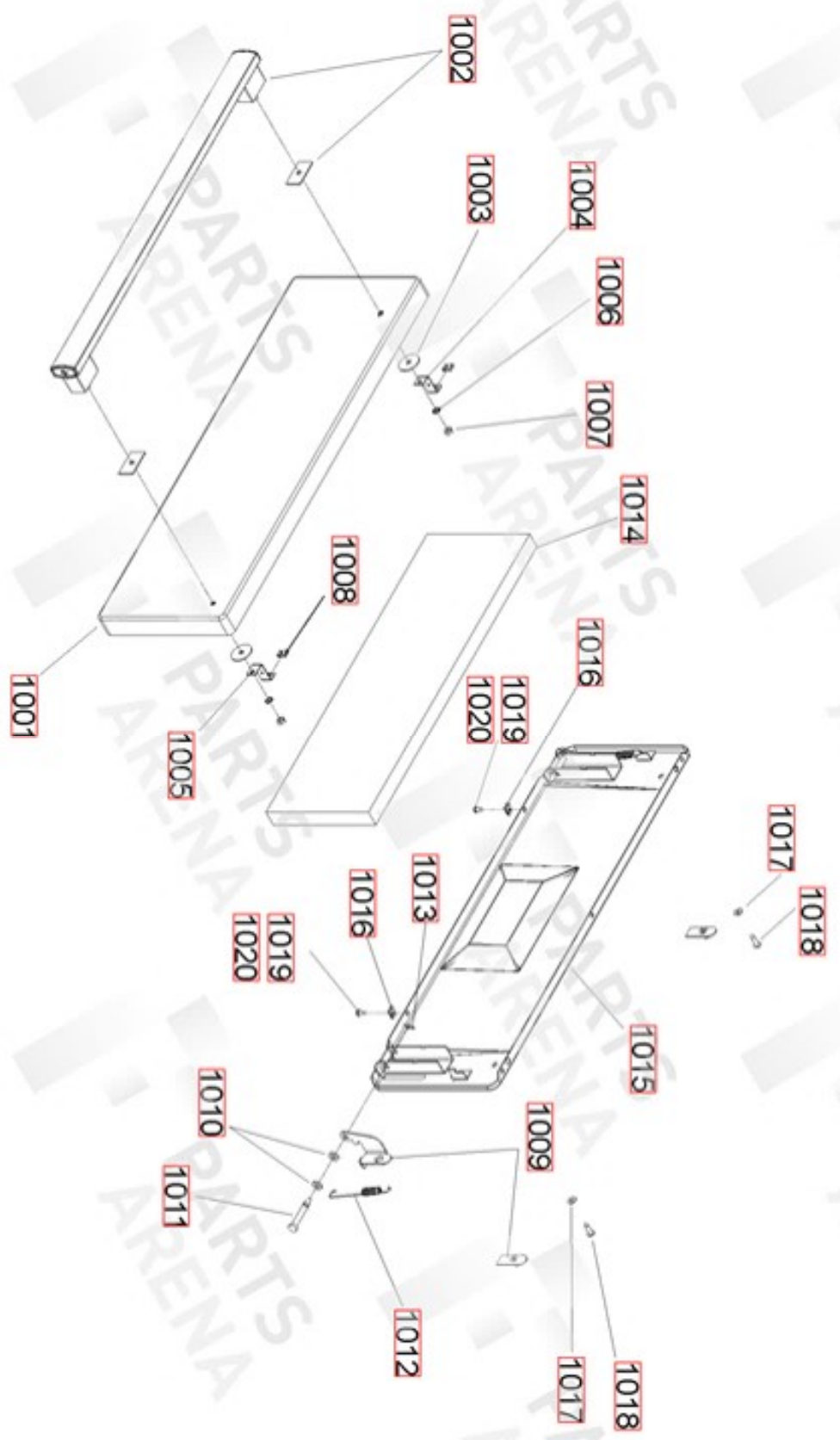


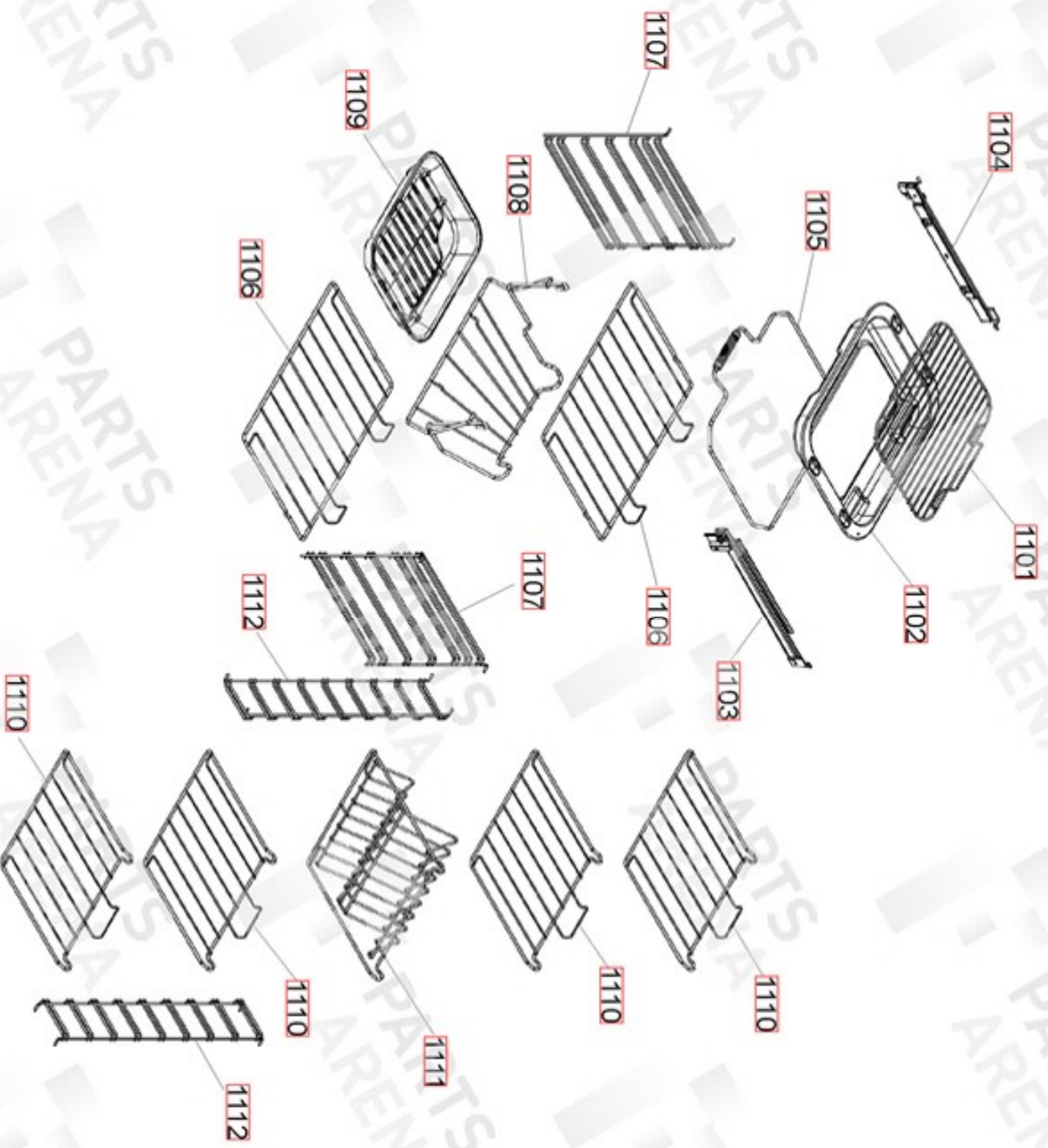
GRILL CHAMBER



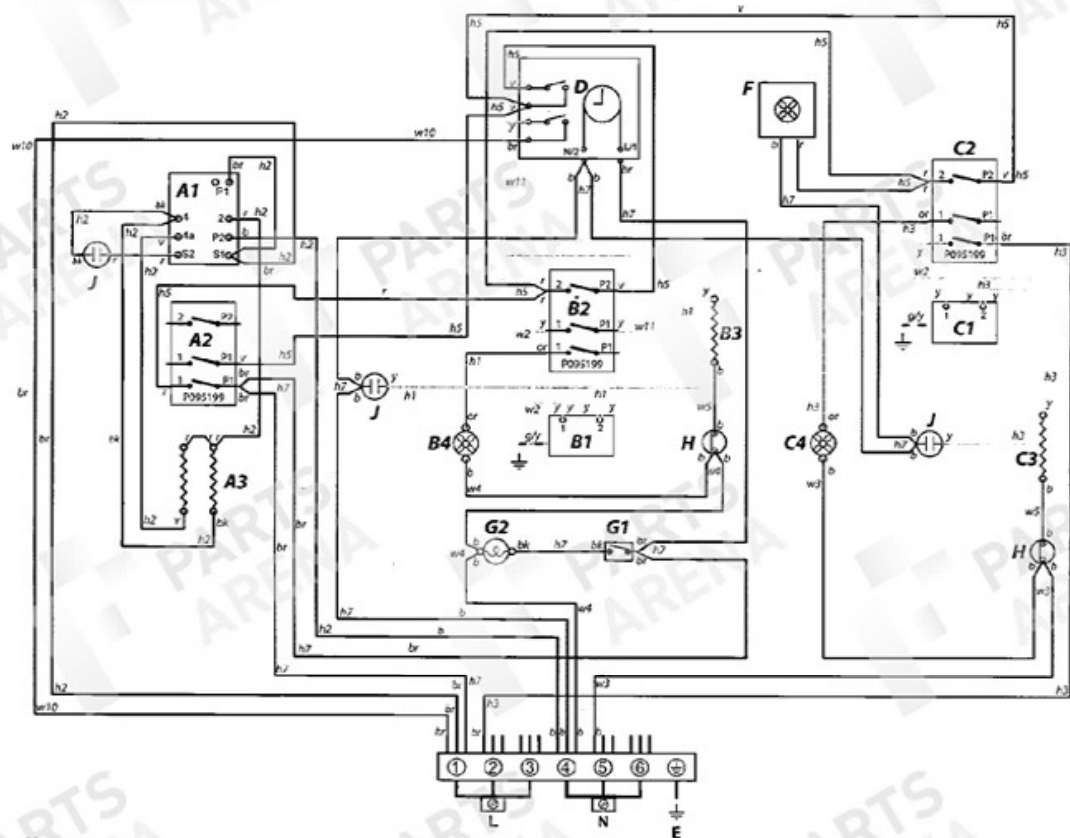








Professional +



Key

The connections shown in the circuit diagram are for single-phase. The ratings are for 230V 50Hz.

Code	Description
A1	Grill energy regulator
A2	Grill front switch
A3	Grill elements
B1	Left-hand oven thermostat
B2	Left-hand oven thermostat front switch
B3	Left-hand oven element
B4	Left-hand oven fan
C1	Right-hand oven thermostat
C2	Right-hand oven thermostat front switch
C3	Right-hand oven element
C4	Right-hand oven fan

Code	Description
D	Clock
F	Cooling fan
G1	Oven light switch
G2	Oven light
H	Thermal cut-out
J	Neon

Code	Colour
b	Blue
br	Brown
bk	Black
or	Orange
r	Red
v	Violet
w	White
y	Yellow
g/y	Green/Yellow

Ref N°	Part N°	Colour	Quantity	Description
h1	P064453	or/y	1	WIRING HARNESS - LH FANNED OVEN
h2	P064445	r/bk/b/v/br	1	HARNES - GRILL
h3	P064454	or/or/y	1	FANNED OVEN HARNESS
h4	P051839	br/b/g/y	1	NI - HOB SUPPLY HARNESS , MALE BULKHEAD C
w1	P052073	g/y	1	NI - HARNESS - EARTH IND. UNIT / CHASSIS
w2	P037863	y	2	OBS WIRE ASSY USE ASSEMBLY VERSION
h5	P064447	r/v	1	HARNES - COOLING FAN
h6	P064446	br/b	1	NI - HARNESS - MAINS TERMINAL / CONNECTOR
w3	P027733	b	1	WIRE ASSY
w4	P025995	b	1	WIRE ASSEMBLY
w5	P040066	b	2	WIRE ASSY
w6	P027672	g/y	1	NI - WIRE ASSY
w7	P095450	g/y	1	NI - WIRE ASSEMBLY
w8	P094943	g/y	2	NI - WIRE ASSEMBLY
w9	P055374	g/y	2	NI - WIRE ASSEMBLY
w10	P064448	br	1	BROWN LINK - TB TO TIMER RELAY
h7	P064819	bl/br/b	1	WIRING HARNESS - AUX/90/100
w11	P048632	y	1	YELLOW LINK TIMER LH OVEN SWITCH