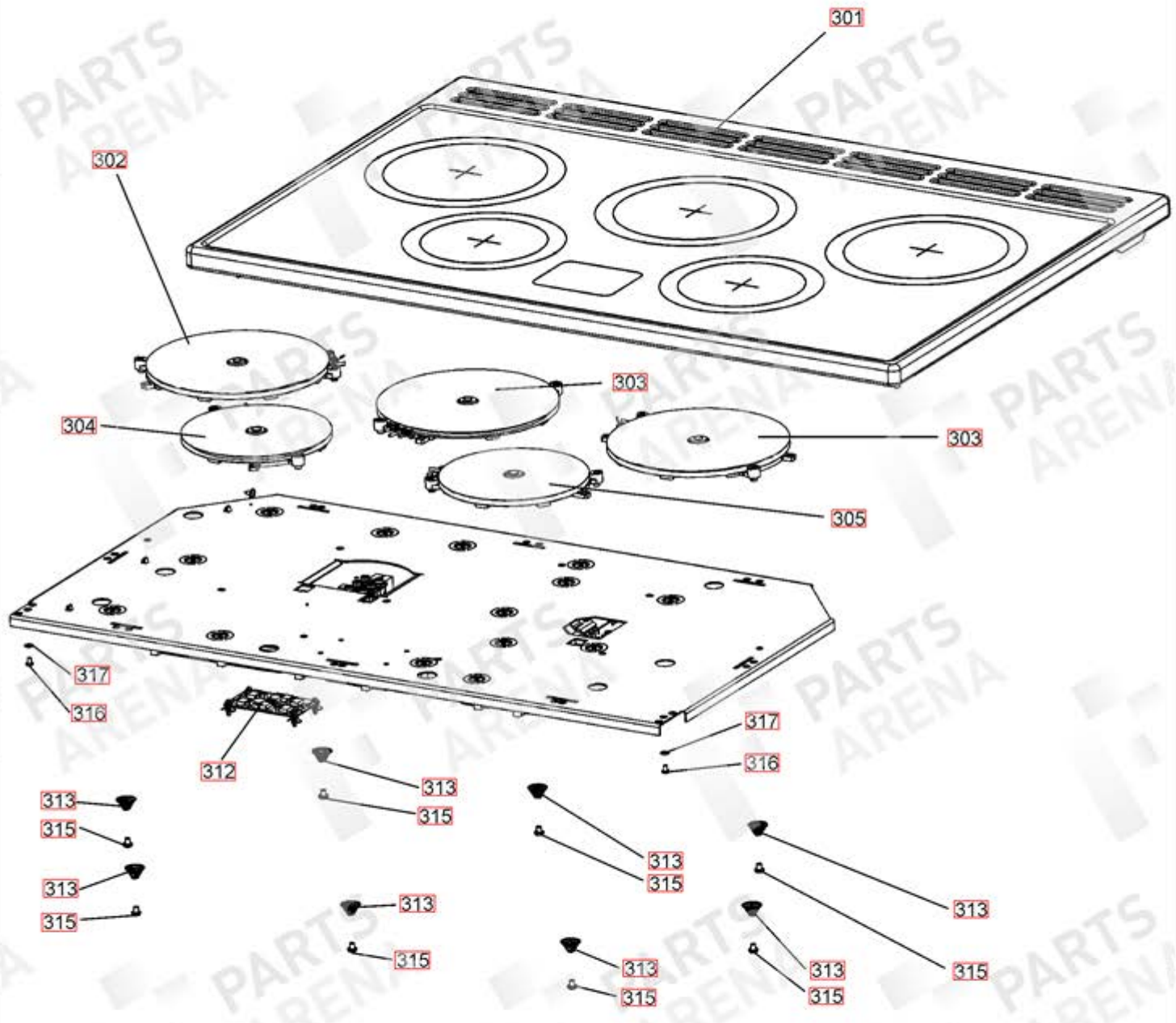


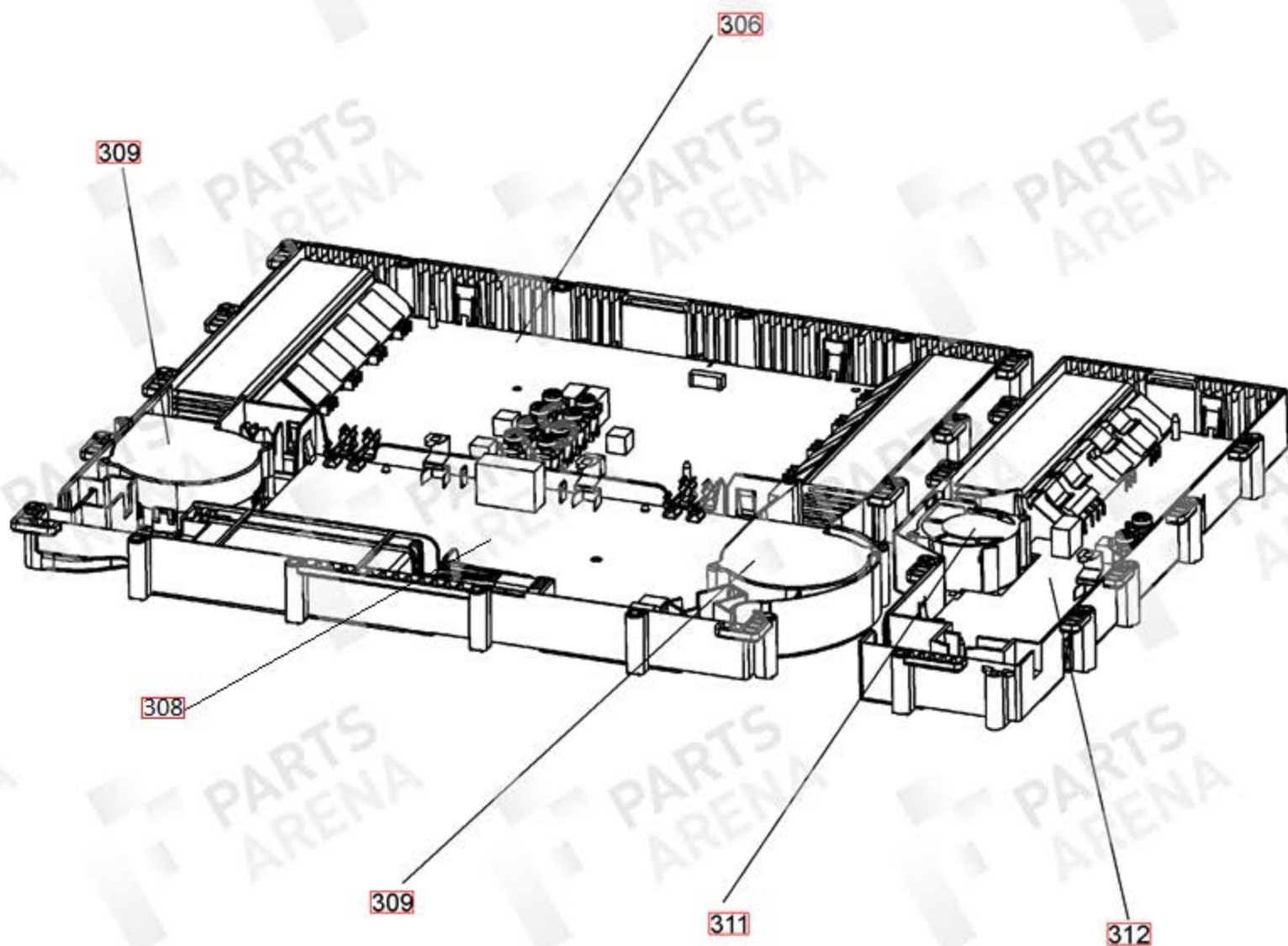
8585, 9172, 9173, 9174 - FROM SER No 160000
8646, 9212, 9213, 9214 - FROM SER No 160000

DSL0394 P02A
ISSUE STATUS 02
DATE 16.05.12

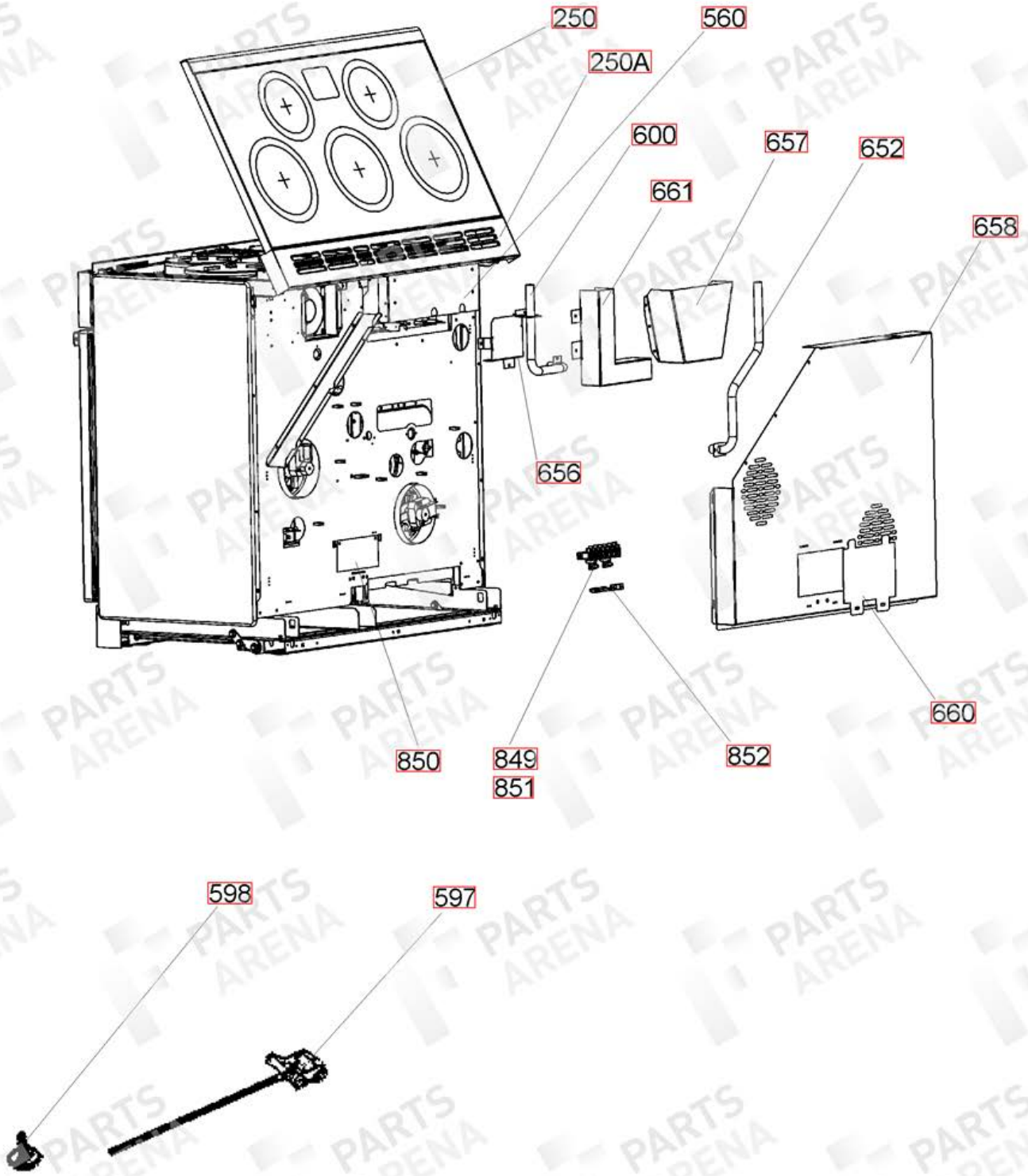


8585, 9172, 9173, 9174 - FROM SER No 160000
8646, 9212, 9213, 9214 - FROM SER No 160000

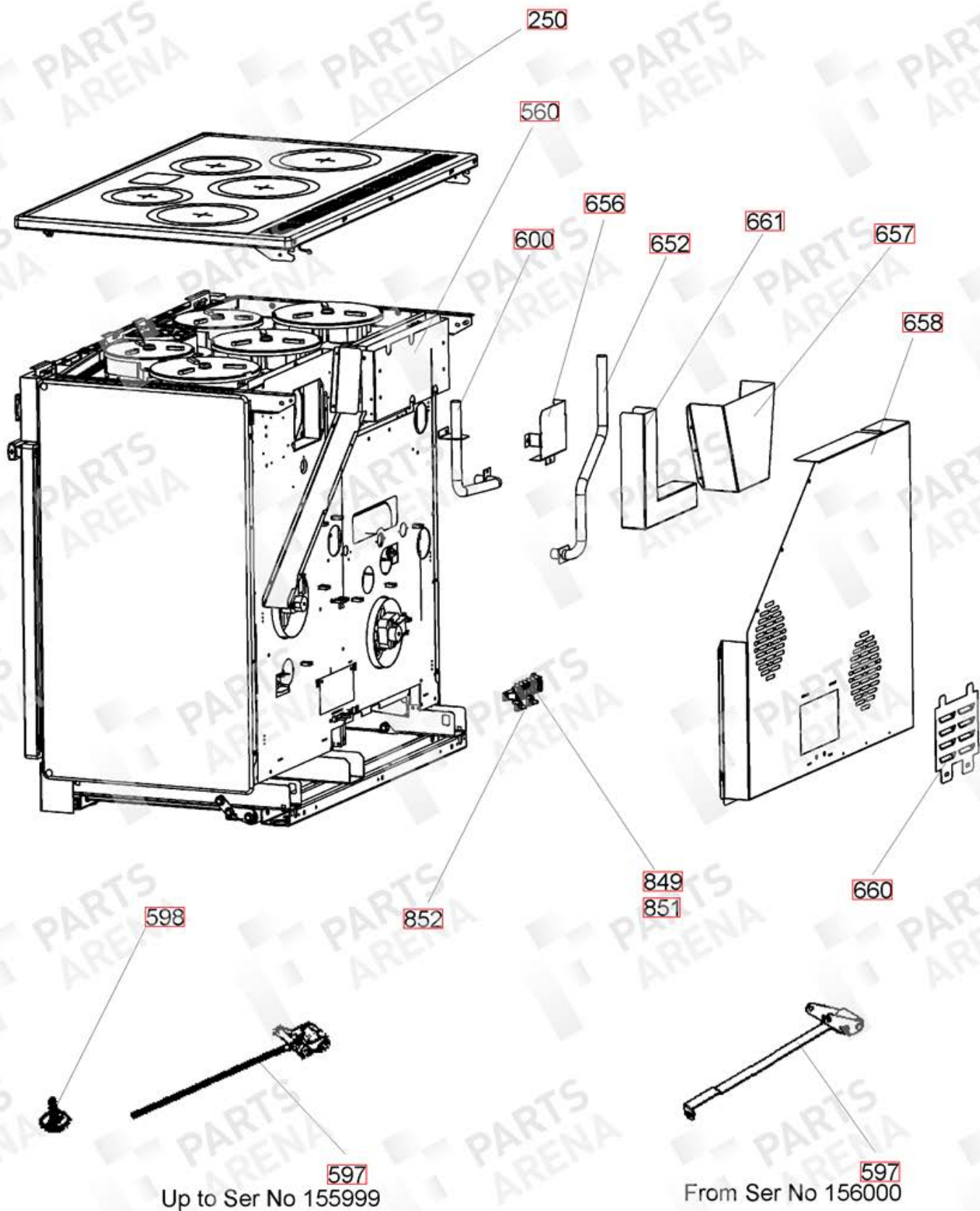
DSL0394 P02B
ISSUE STATUS 01
DATE 16.05.12



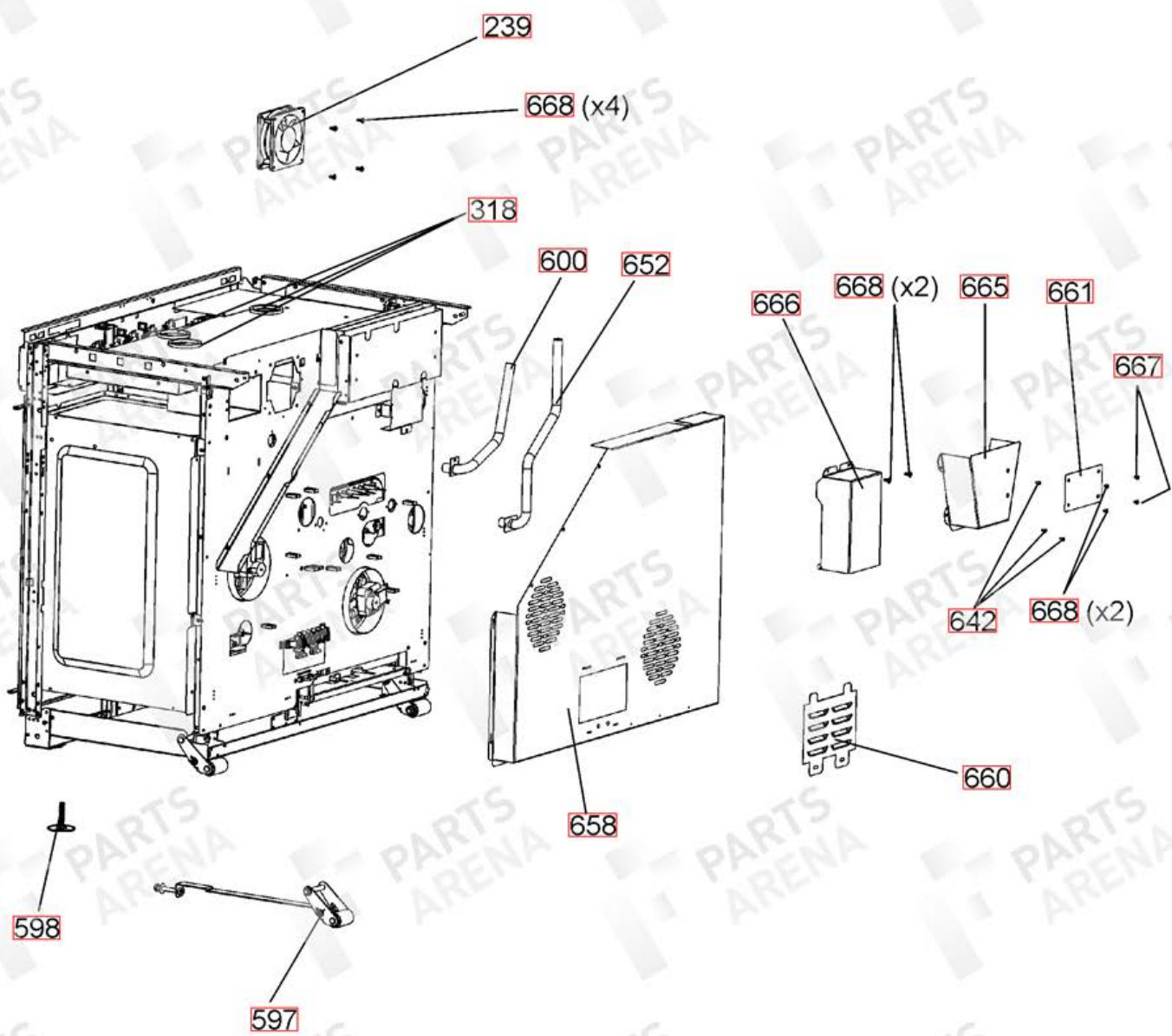
UP TO SERIAL NUMBER 149999



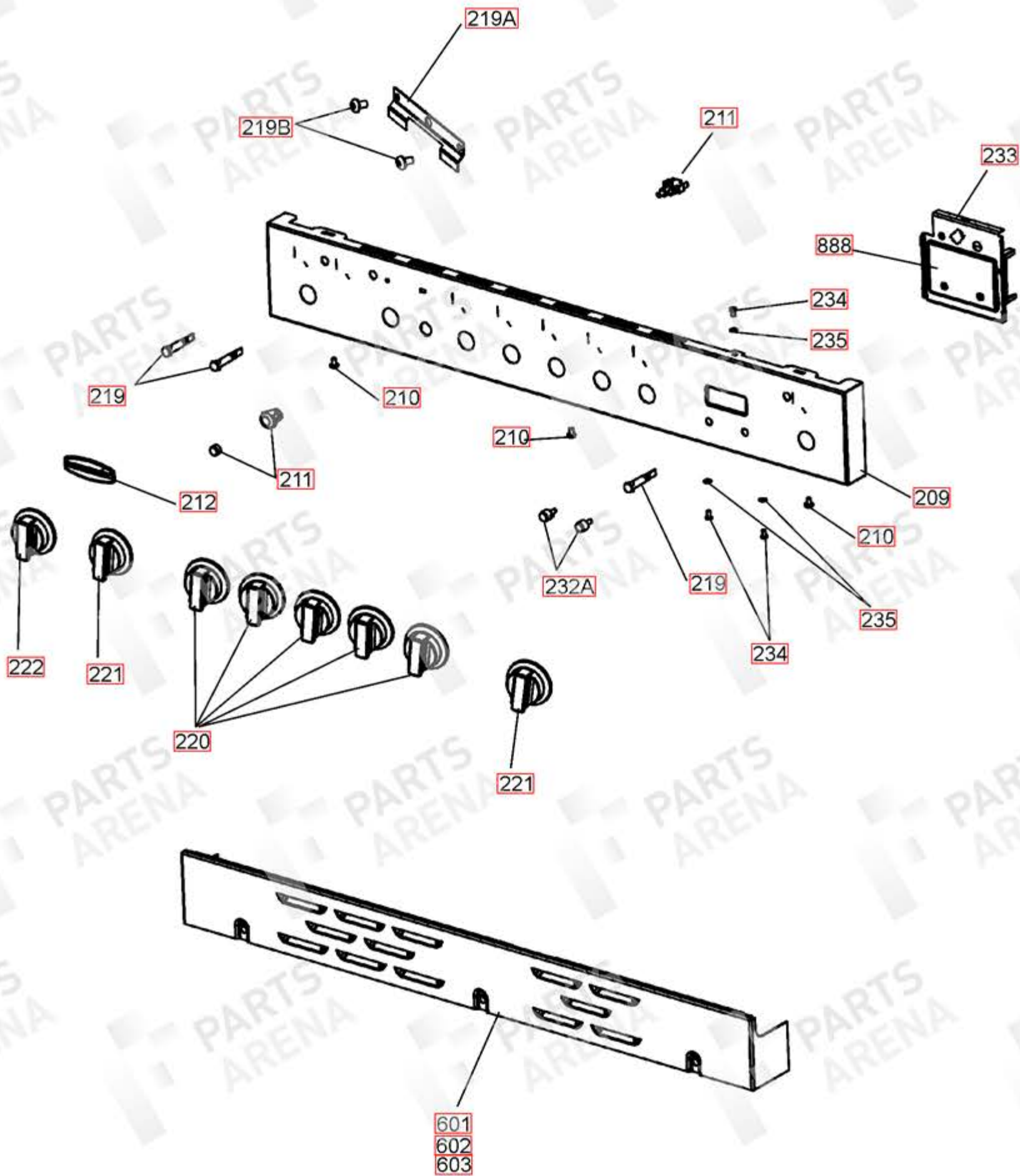
8585, 9172, 9173, 9174 - FROM SER No 150000 UP TO SER No 159999
8646, 9212, 9213, 9214 - FROM SER No 150000 UP TO SER No 159999

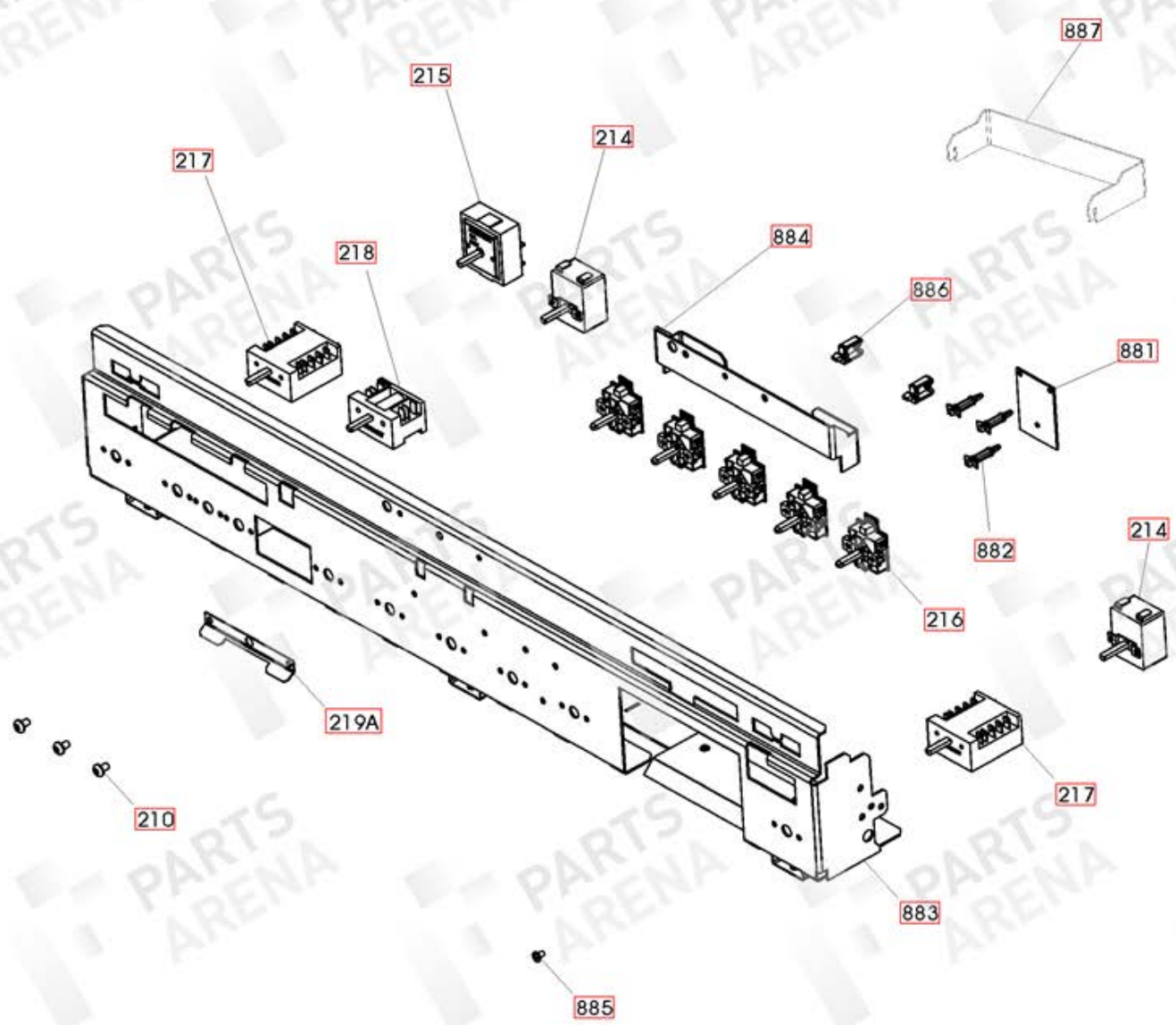


8585, 9172, 9173, 9174 - FROM SER No 160000
8646, 9212, 9213, 9214 - FROM SER No 160000

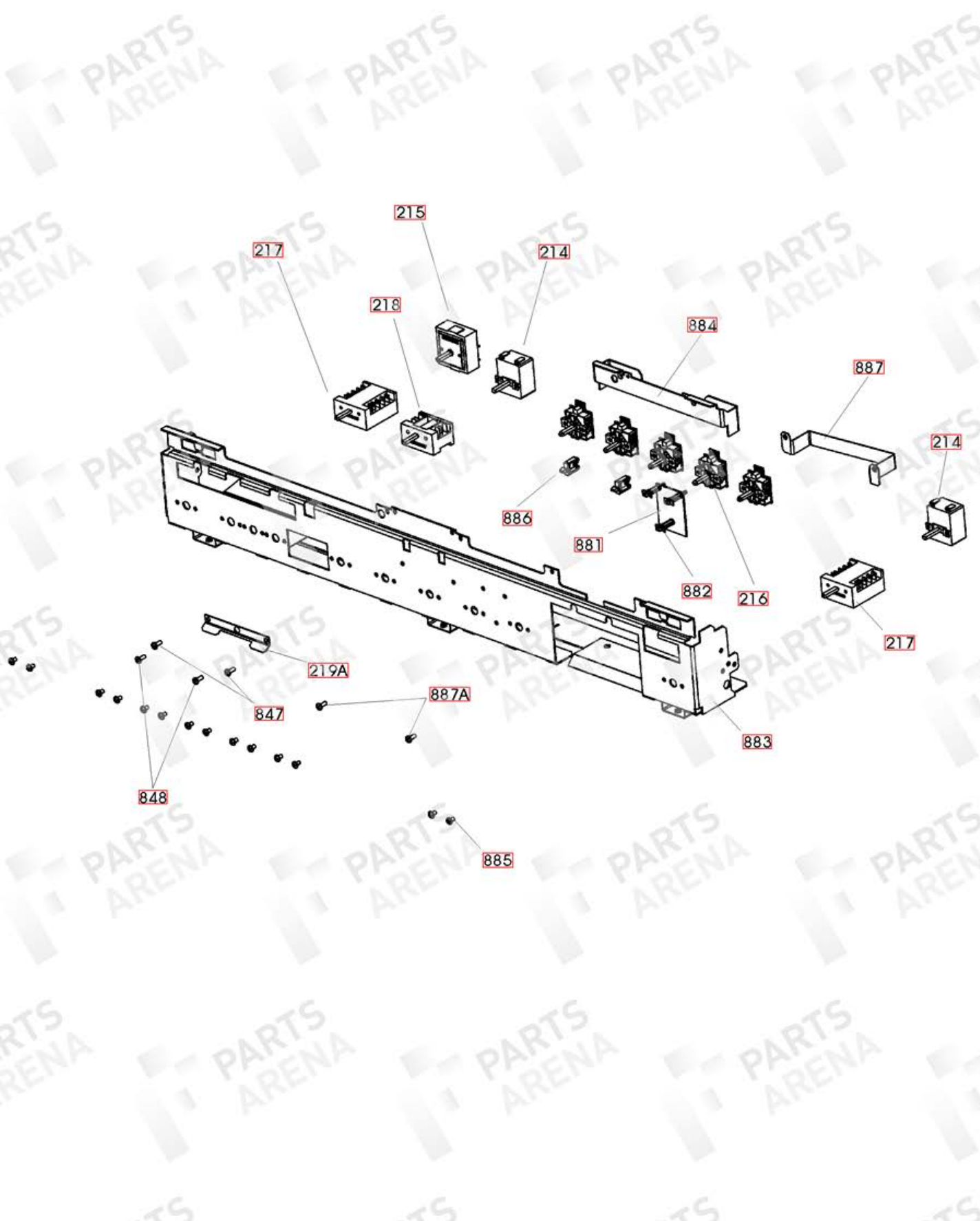


DATE 21.04.11



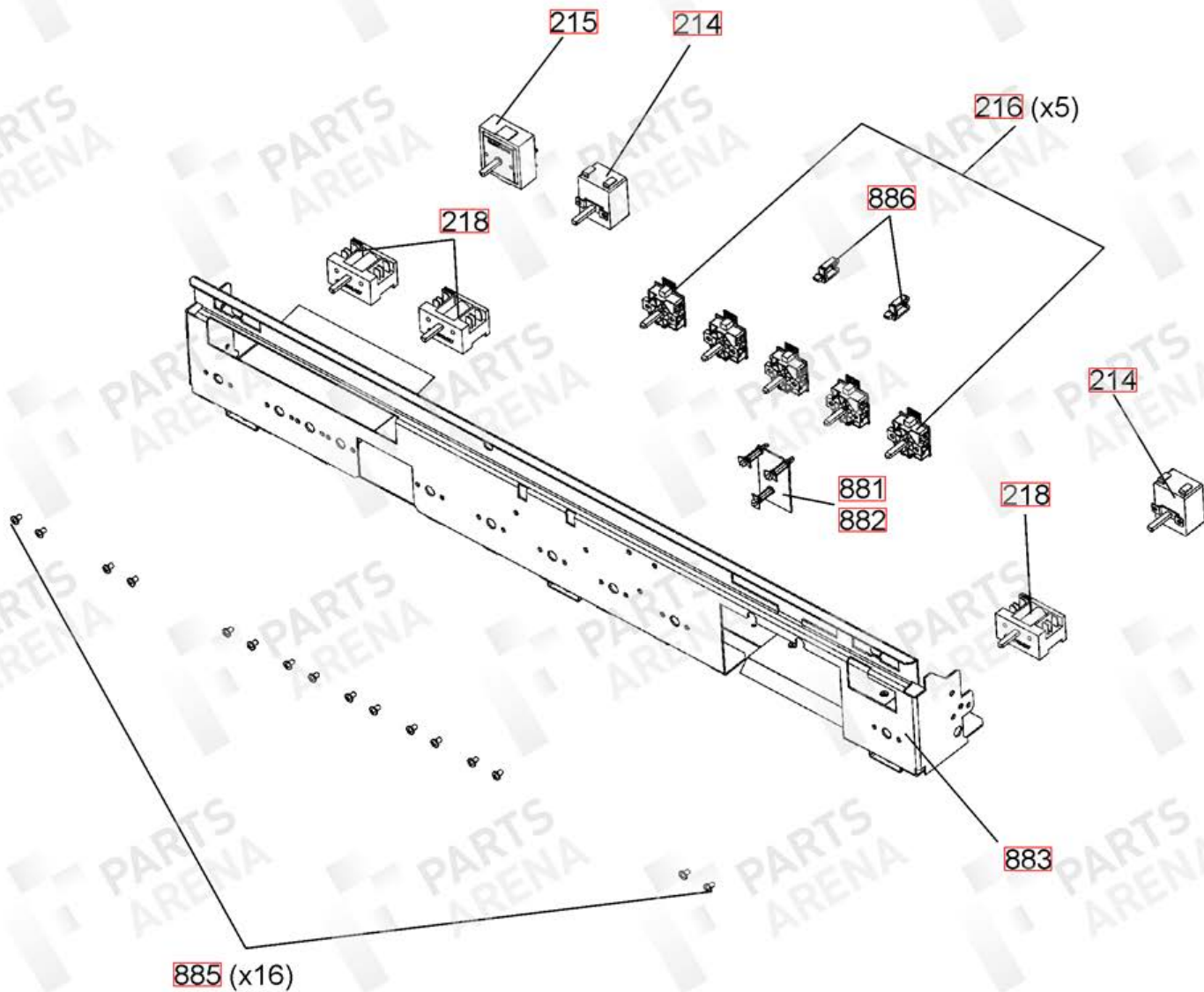


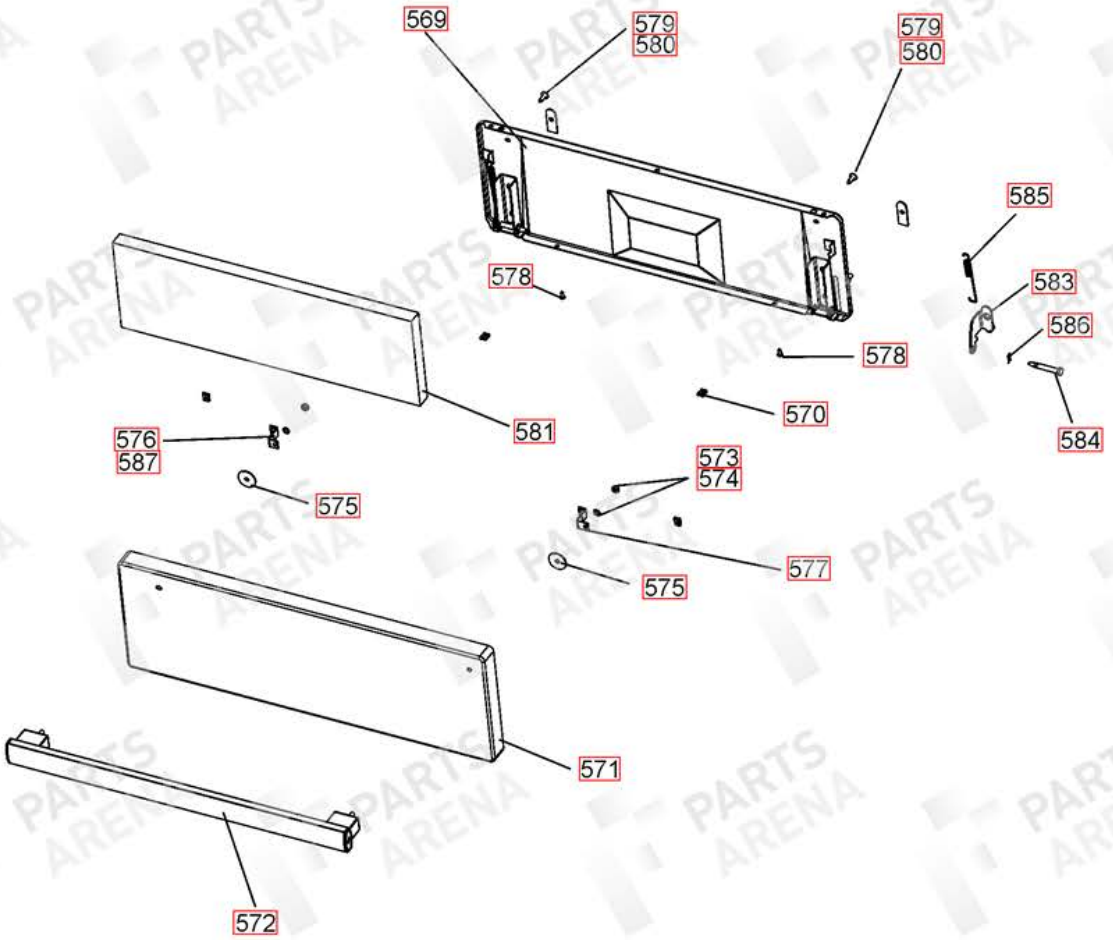
8585, 9172, 9173, 9174 - FROM SER No 150000 UP TO SER No 159999
8646, 9212, 9213, 9214 - FROM SER No 150000 UP TO SER No 159999
AUSTRALIAN COOKERS 9586, 9587, 9588, 9589

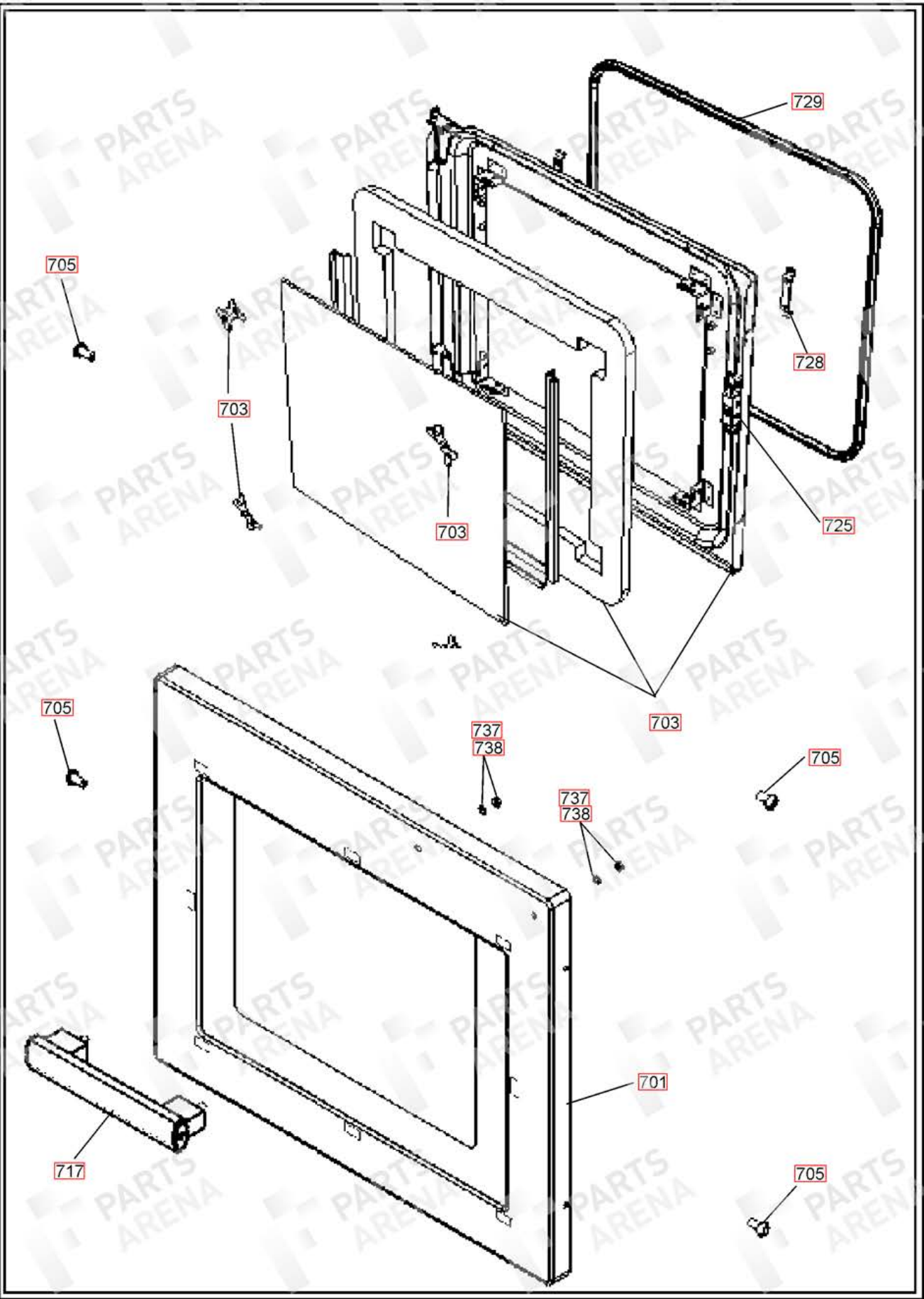


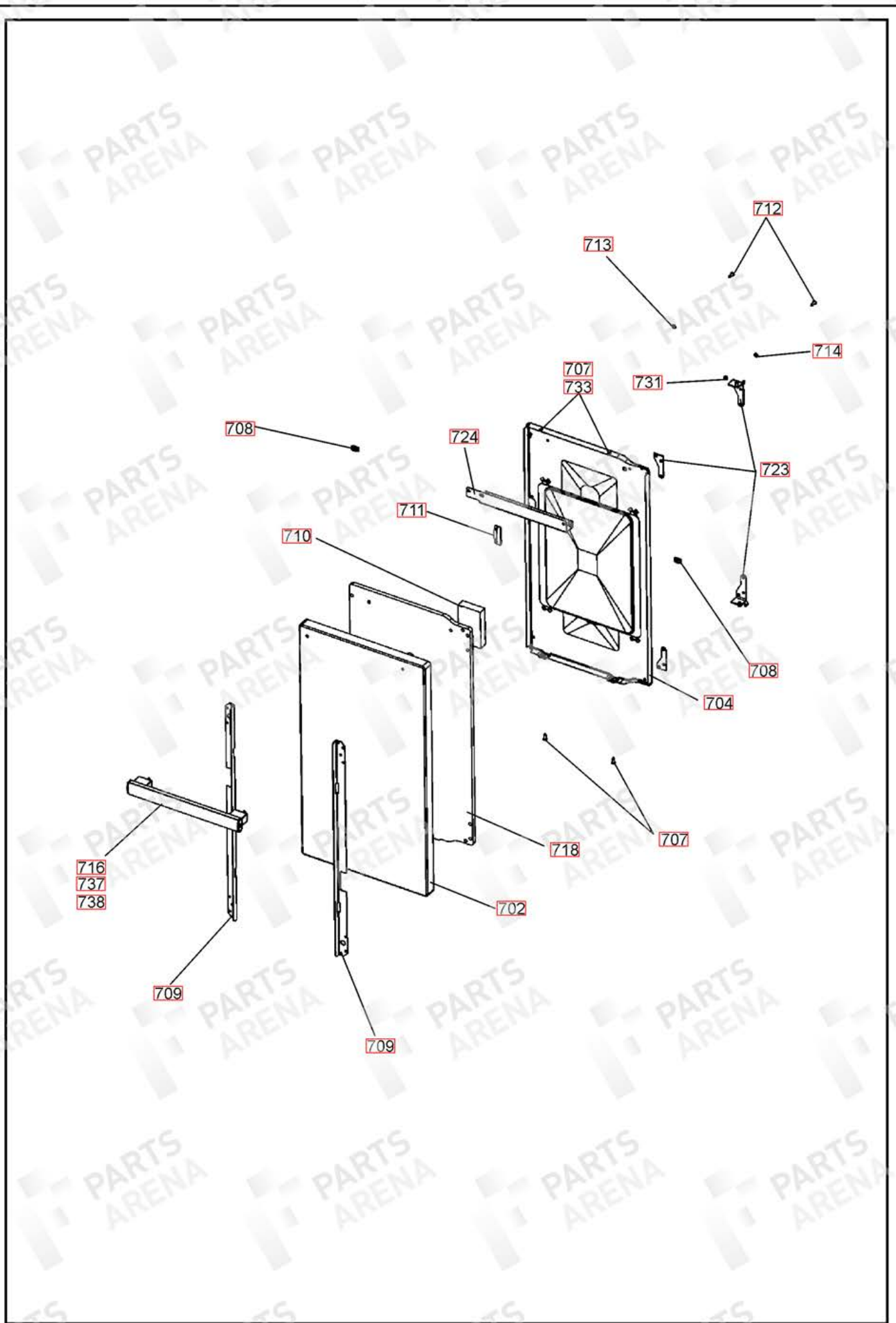
8585, 9172, 9173, 9174 - FROM SER No 160000

8646, 9212, 9213, 9214 - FROM SER No 160000



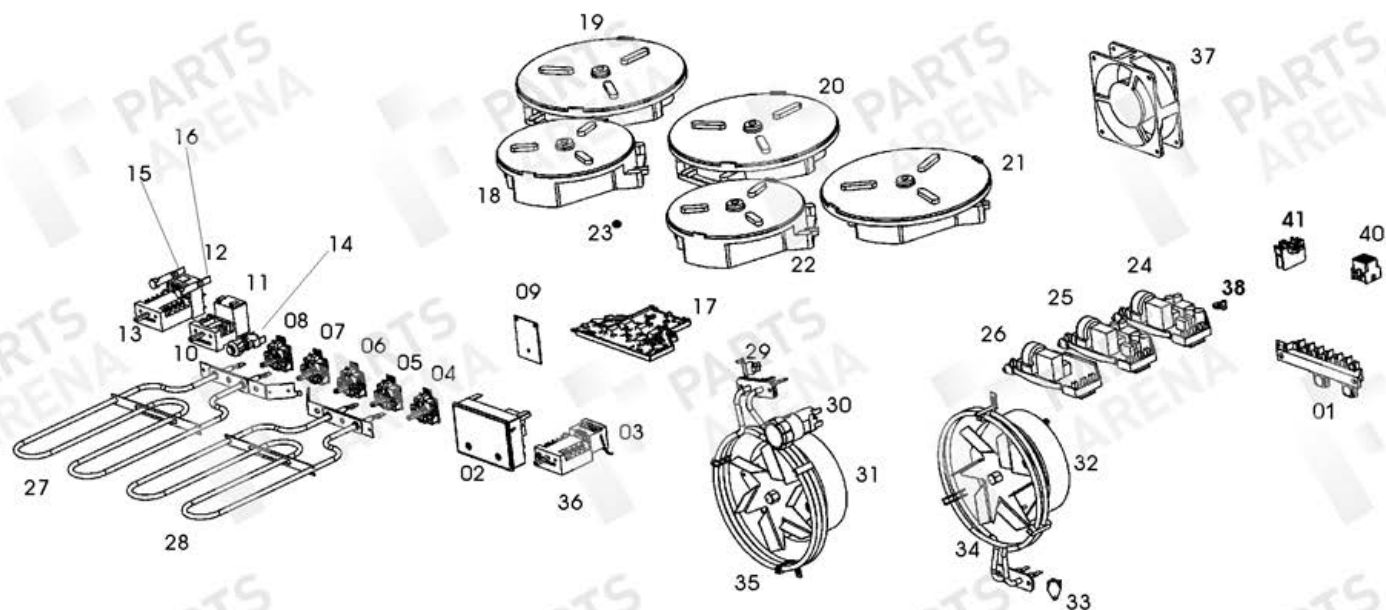






8585, 9172, 9173, 9174 - UP TO SER No 159999
 8646, 9212, 9213, 9214 - UP TO SER No 159999
 AUSTRALIAN COOKERS 9586, 9587, 9588, 9589

DSL0394 P09
 ISSUE STATUS 03
 DATE 16.05.12

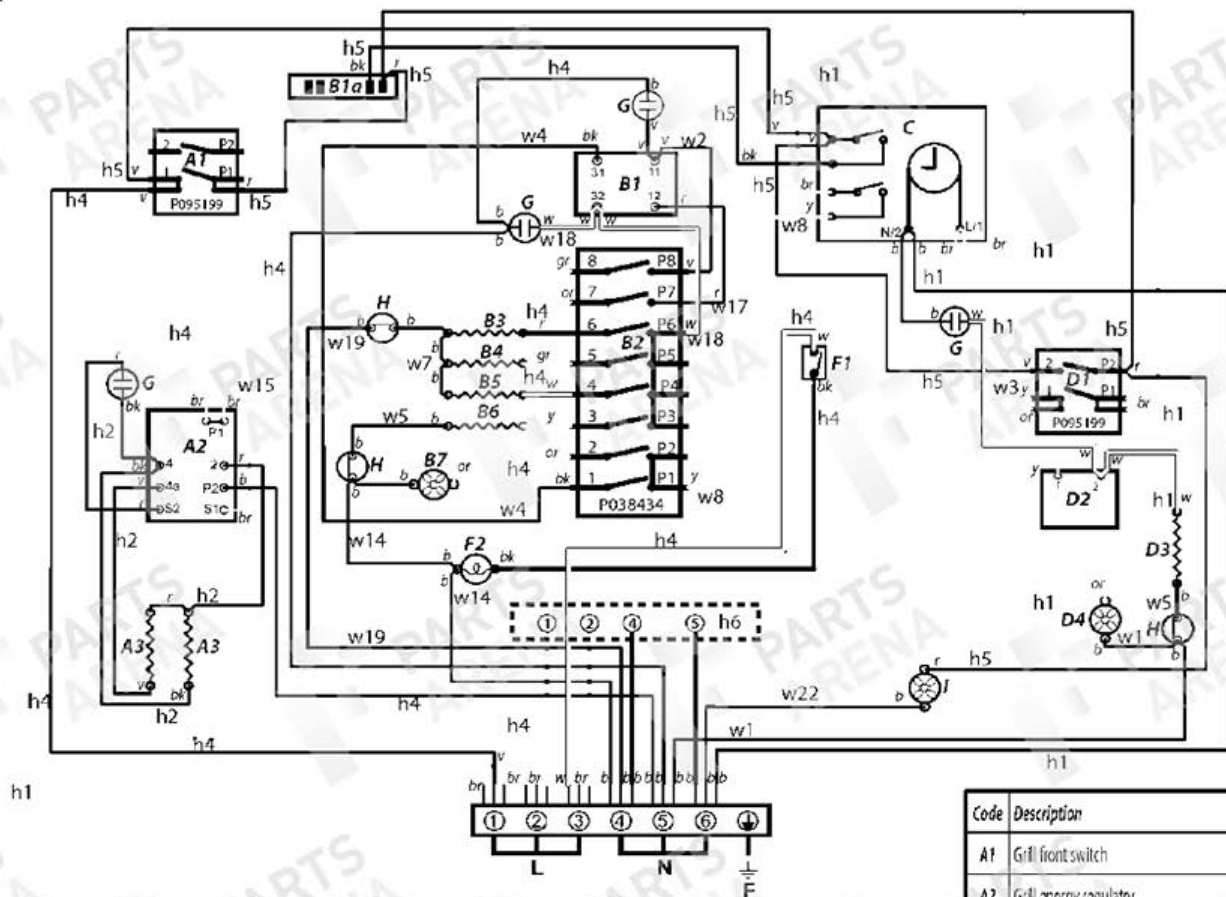


Ref	Harness	Description	Qty	Connects	Component
853	P045282	Grill Wire Harness	1	12 15 27 28	
854	P045283	LH Oven Harness	1	01 14 30 12	
855	P045284	PE Harness	1	01 27 28 30	
856	P045285	Neutral Link	1	01 30 31 29	
857	P045286	Cooling Fan Neutral Harness	1	01 37 41	
858	P045287	LH Oven Cooling Fan Activation Harness	1	02 10 36 13	
859	P045288	Cooling Fan Activation Harness RH Oven Switch	1	36 41	
860	P045289	Bulk Head to Terminal Block Harness	1	01 40	
861	P045290	Bulk Head to Connection Unit Harness	1	40 24 25 26	
862	P045410	CU to IHE Left Hand Pair	1	18 19 24	
863	P045411	CU to Centre IHE	1	20 25	
864	P045412	CU to Right Hand Pair	1	21 22 26	
865	P045292	LIN Bus Wire IHE Interconnect Wire	2	24 25 26	
866	P043934	LIN Bus Wire IHE Interconnect Wire	3	18 19 20 22	
867	P043935	LIN Bus Wire IHE Interconnect Wire	3	09 17 19 21	
868	P045291	LIN Bus Wire IHE Interconnect Wire	1	20 21	
869	P043939	Rotary Control Wire to Interface Board	2	04 08 09	
870	P043936	Rotary Control Wire to Interface Board	2	05 07 09	
871	P043943	PE Connection Unit	3	24 25 26 38	
872	P038909	RH Oven Wiring Harness	1	01 36 32 02	
873	P027733	Neutral Link RH Oven	1	01 32 33	
874	P037863	LH Oven Switch to Stat	1	10 11	
875	P038186	Link (Triple Reg/Switch)	2	03 36 10 13	
876	P094943	Earth Wire Assembly	2	03 01 11 01	
877	P040066	Link Wire Thermal Trip (Neutral Side)	2	29 35 33 34	
878	P055374	Earth Link Wire Assembly	2	27 28 01	
879	P055344	Link Wire Assembly	2	13 13 12 12	

8585, 9172, 9173, 9174 - FROM SER No 160000

8646, 9212, 9213, 9214 - FROM SER No 160000

h1



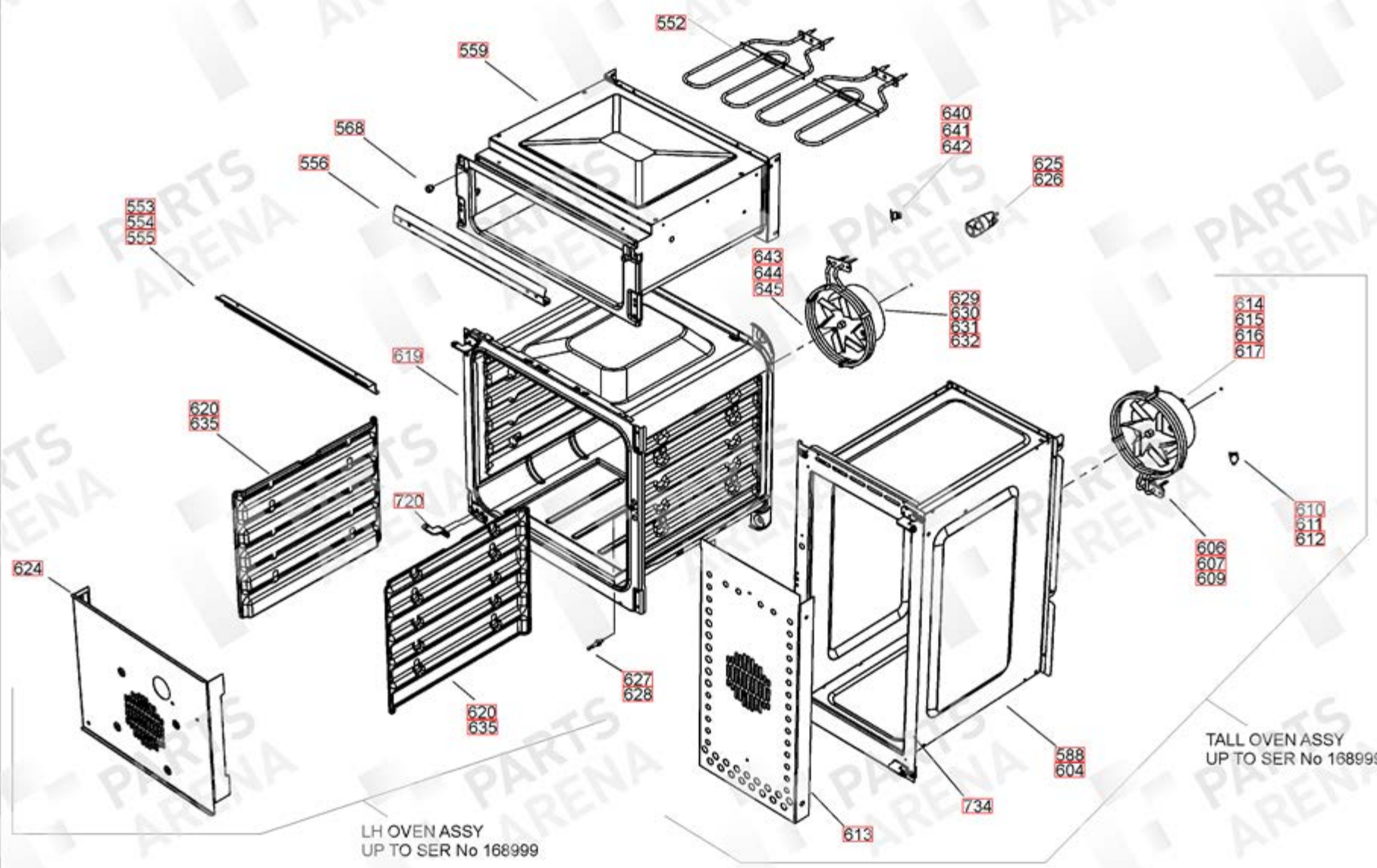
Ref Number	Ref Number	Quantity	Remarks
w1	P027733	1	RH OVEN NEUTRAL LINK
w2	P033367	1	LH OVEN RAPID HEAT- NEGN LINK
w3	P037863	1	RH OVEN FEED TO THERMOSTAT
w4	P038186	1	BLACK MF - D / STAT
h1	P038909	1	RH OVEN HARNESS
w5	P040066	2	OVEN OVERHEAT STAT LINKS LH-RH
w7	P040694	1	BASE ELEMENT TOP ELEMENTS NEUTRAL
h2	P045282	1	GRILL ELEMENT ENERGY REG LINK
h4	P048082	1	GRILL ENERGY REG - MF OVEN SWITCH FEED
w8	P048632	1	CLOCK TO MF OVEN LIVE FEED
N1	P042916	1	TERMINAL BLOCK TO THERMAL TRIP
w14	P050996	1	NEUTRAL LH OVEN FAN ELEMENT LIGHT
w15	P055344	1	ENERGY REG LINK NEON FEED GRILL
w16	P055374	2	GRILL ELEMENT EARTHS
w17	P040719	1	MF SWITCH - RAPID HEAT STAT - FAN SWITCH
w18	P095665	1	LH OVEN MF NEON LINK
N1	P094943	3	RH OVEN THERMOSTAT - HOTPLATE EARTH
h6	P052814	1	HARNESS - MAINS TERMINAL/CONNECTOR
h3	P051839	1	BULK HEAD CONCTR TO G5 UNIT TERMINAL BLO
N1	P045284	1	OVENS FANS LIGHT EARTH
w9	P043939	2	LHF, LHR HOBBS - INTERFACE BOARD
w12	P040924	1	CENTER HOB - INTERFACE BOARD
w10	P043937	1	RHR HOB - INTERFACE BOARD
w11	P043936	1	RHF, HOB - INTERFACE BOARD-
w6	P051766	1	8 WIRE - INTERFACE BOARD TO K6 UNIT
N1	P052073	1	HARNESS - EARTH IND. UNIT / CHASSIS
h5	P052810	1	HARNESS, COOLING FAN
w22	P052815	1	NEUTRAL T/BLOCK - COOLING FAN

Code	Description
A1	Grill front switch
A2	Grill energy regulator
A3	Grill elements
B1	Left-hand oven thermostat
B1a	Left-hand oven front switch
B2	Left-hand function control
B3	Left-hand oven base element
B4	Left-hand oven top element (outer)
B5	Left-hand oven top element (inner)
B6	Left-hand oven fan element
B7	Left-hand oven fan

Code	Colour
b	Blue
br	Brown
bk	Black
or	Orange
r	Red
v	Violet
w	White
y	Yellow
g/y	Green/yellow
gr	Grey

Code	Description
C	Clock
D1	Right-hand oven front switch
D2	Right-hand oven thermostat
D3	Right-hand oven element
D4	Right-hand oven fan
F1	Light switch
F2	Oven light
G	Neon
H	Thermal cut-out
I	Cooling fan

N=not illustrated



LH OVEN ASSY
UP TO SER No 168999

TALL OVEN ASSY
UP TO SER No 168999

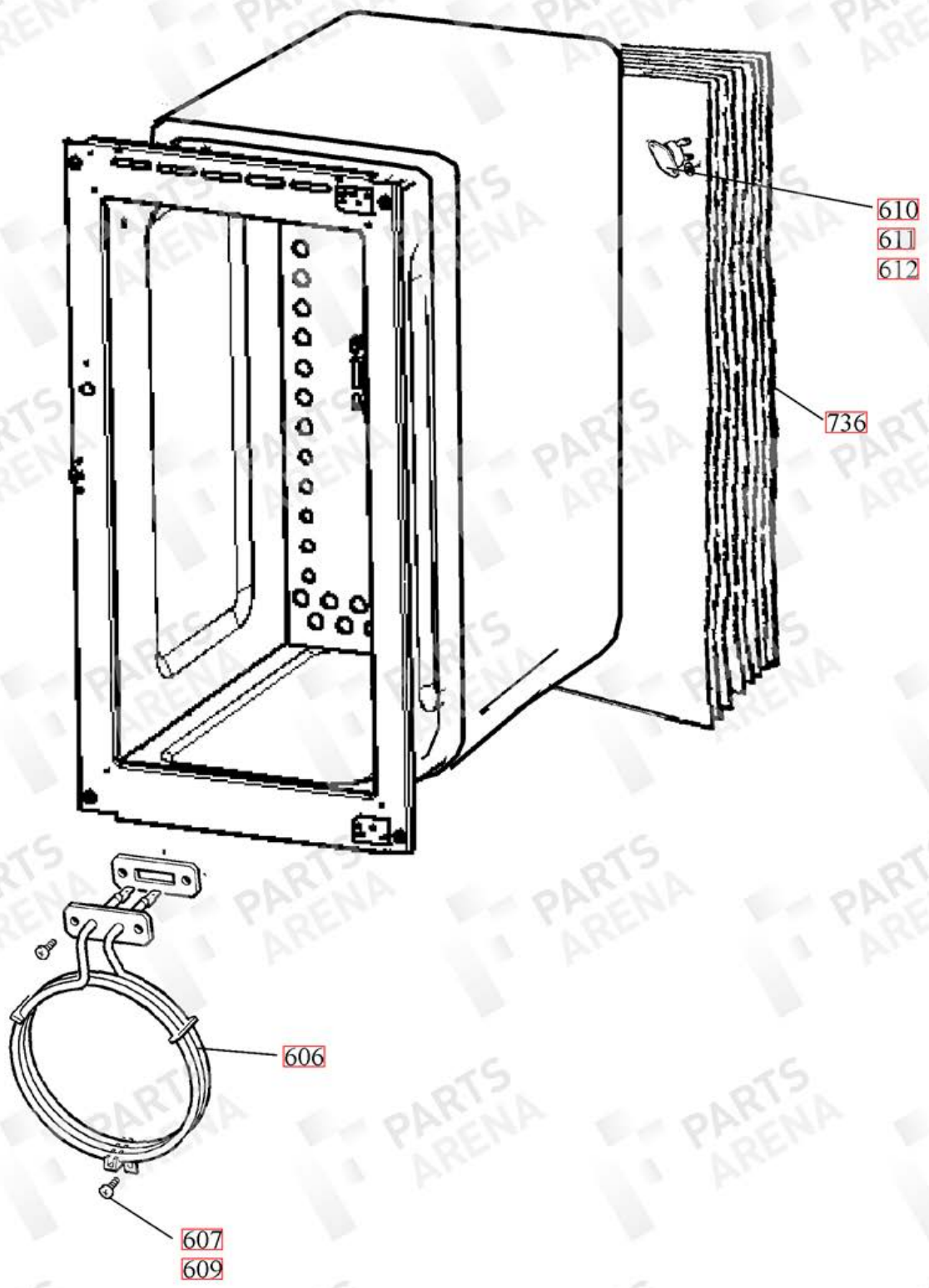
PROFESSIONAL PLUS 90 INDUCTION

DATE 18.02.14

DSL0394 P10A

ISSUE STATUS 01

UP TO SERIAL NUMBER 168999

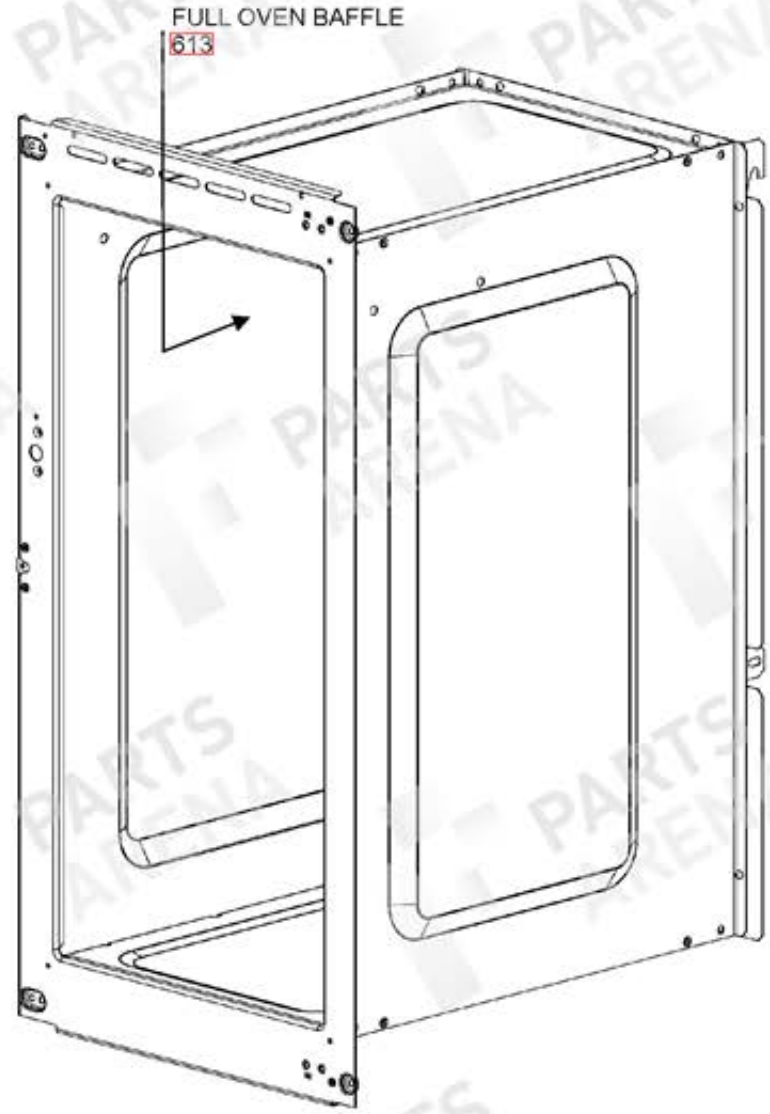
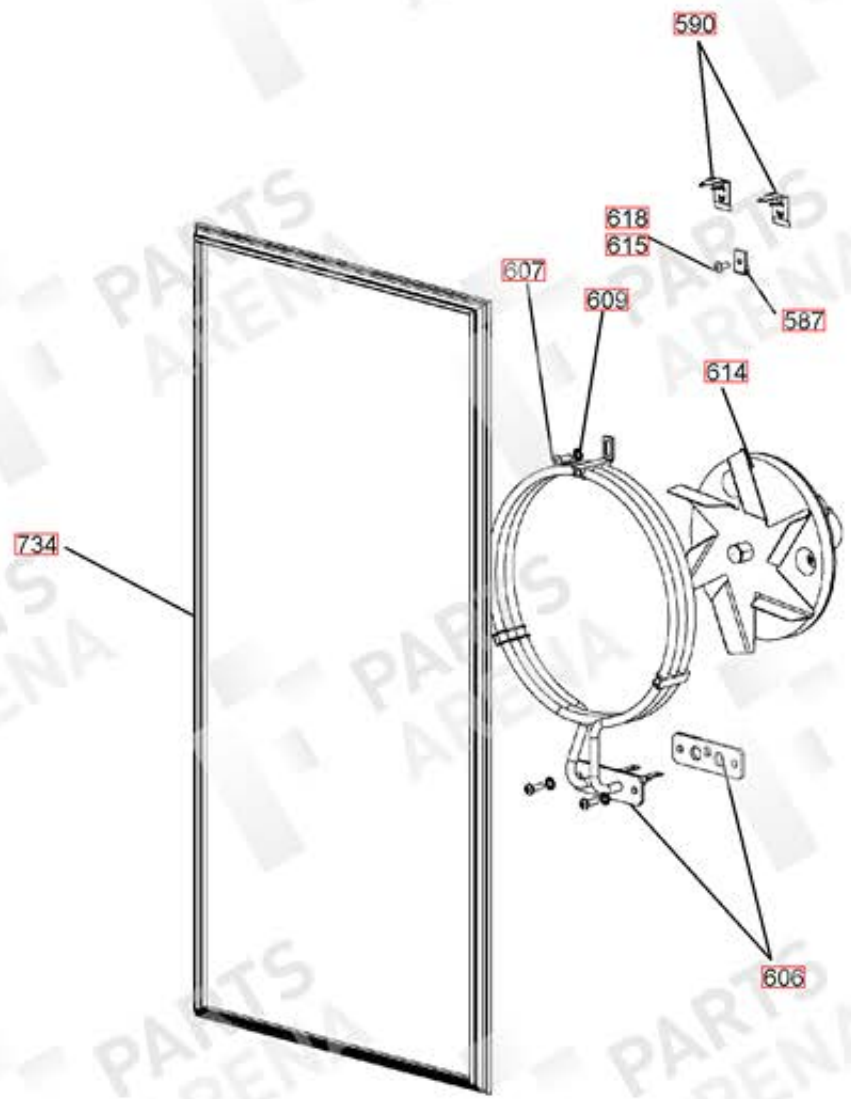


PROFESSIONAL PLUS 90 INDUCTION

DATE 18.02.14 ISSUE STATUS 01

DSL0394 P10B

FROM SERIAL NUMBER 169000



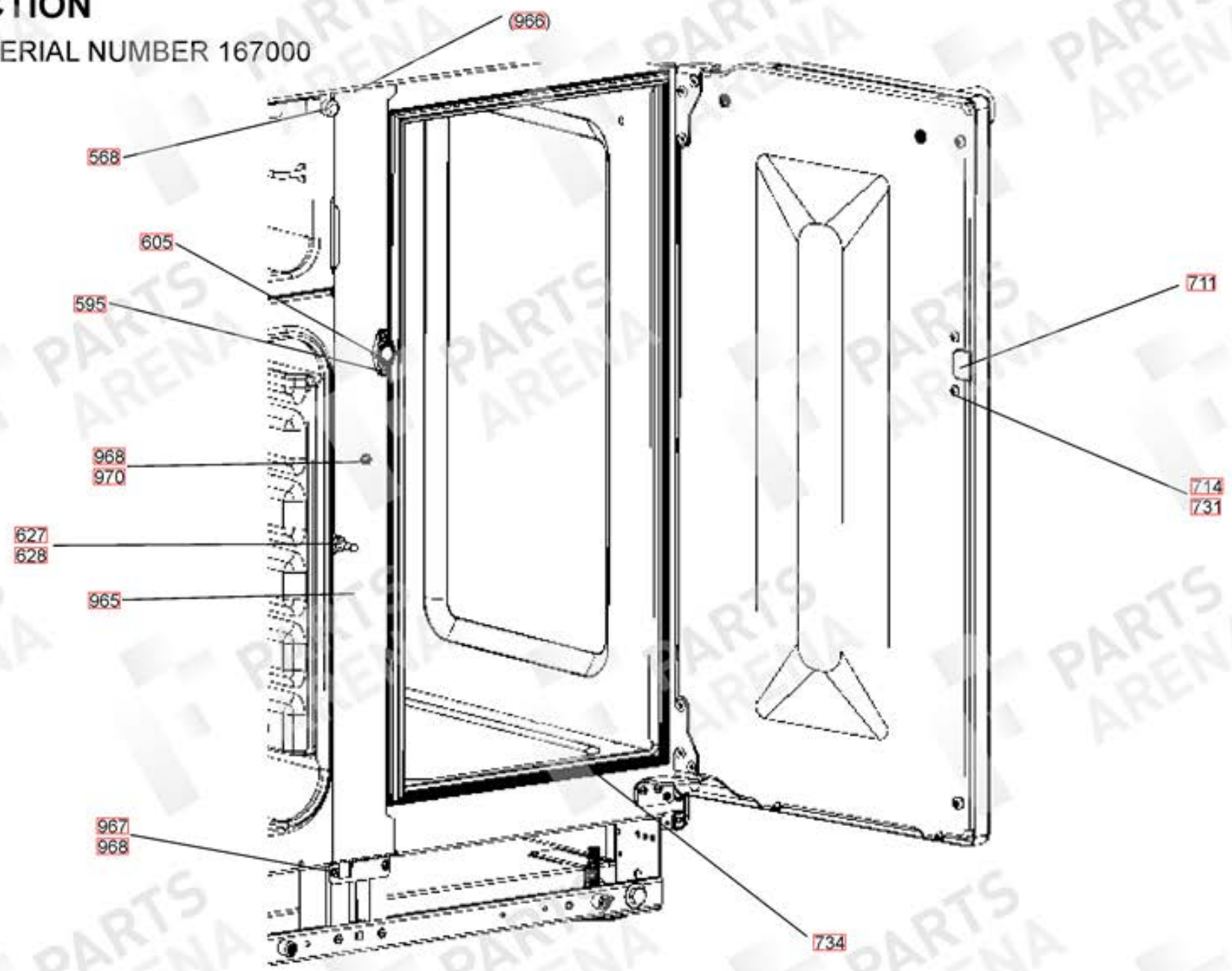
DATE 18.02.14

DSL0394 P10C

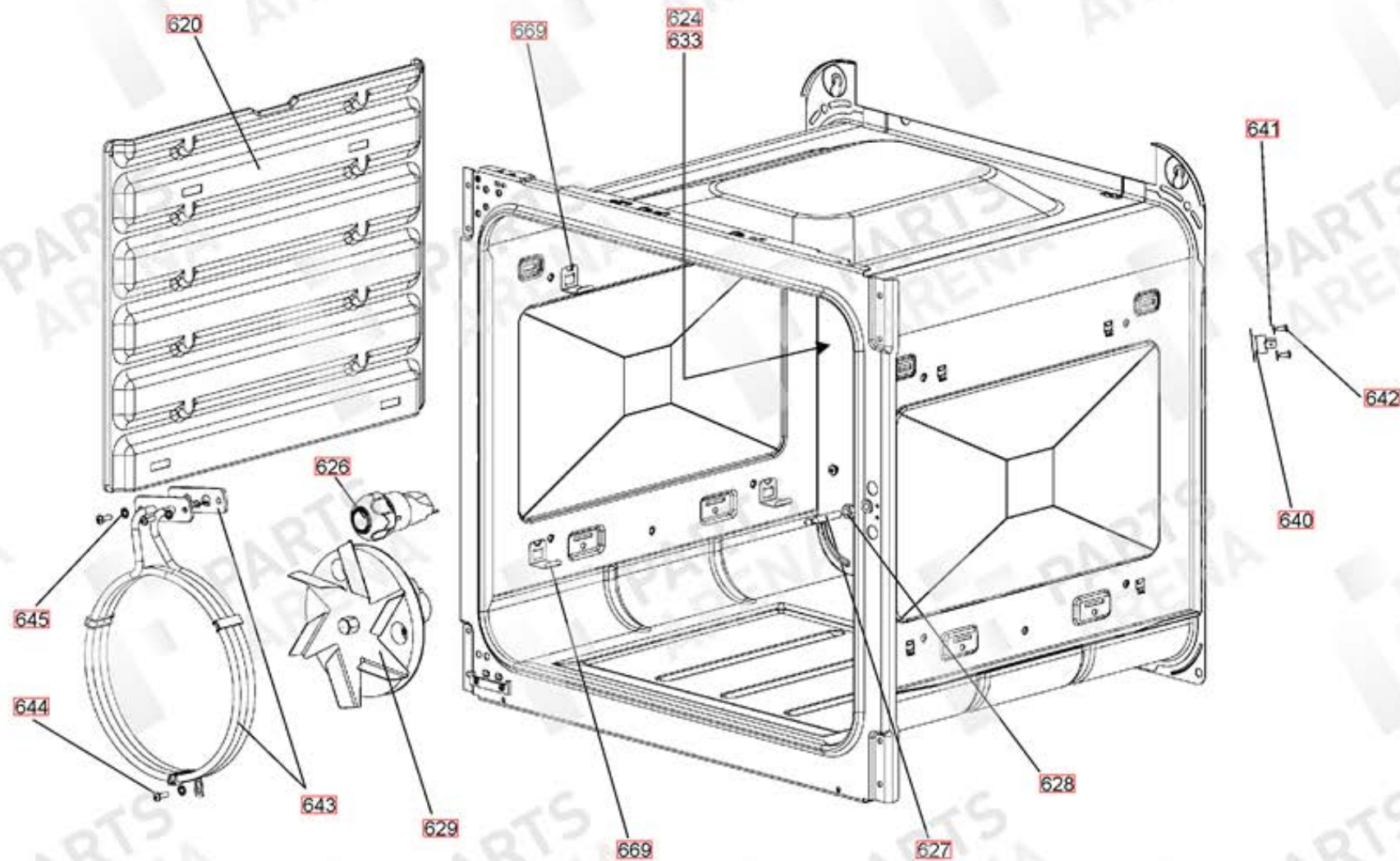
ISSUE STATUS 01

**PROFESSIONAL PLUS 90
INDUCTION**

FROM SERIAL NUMBER 167000

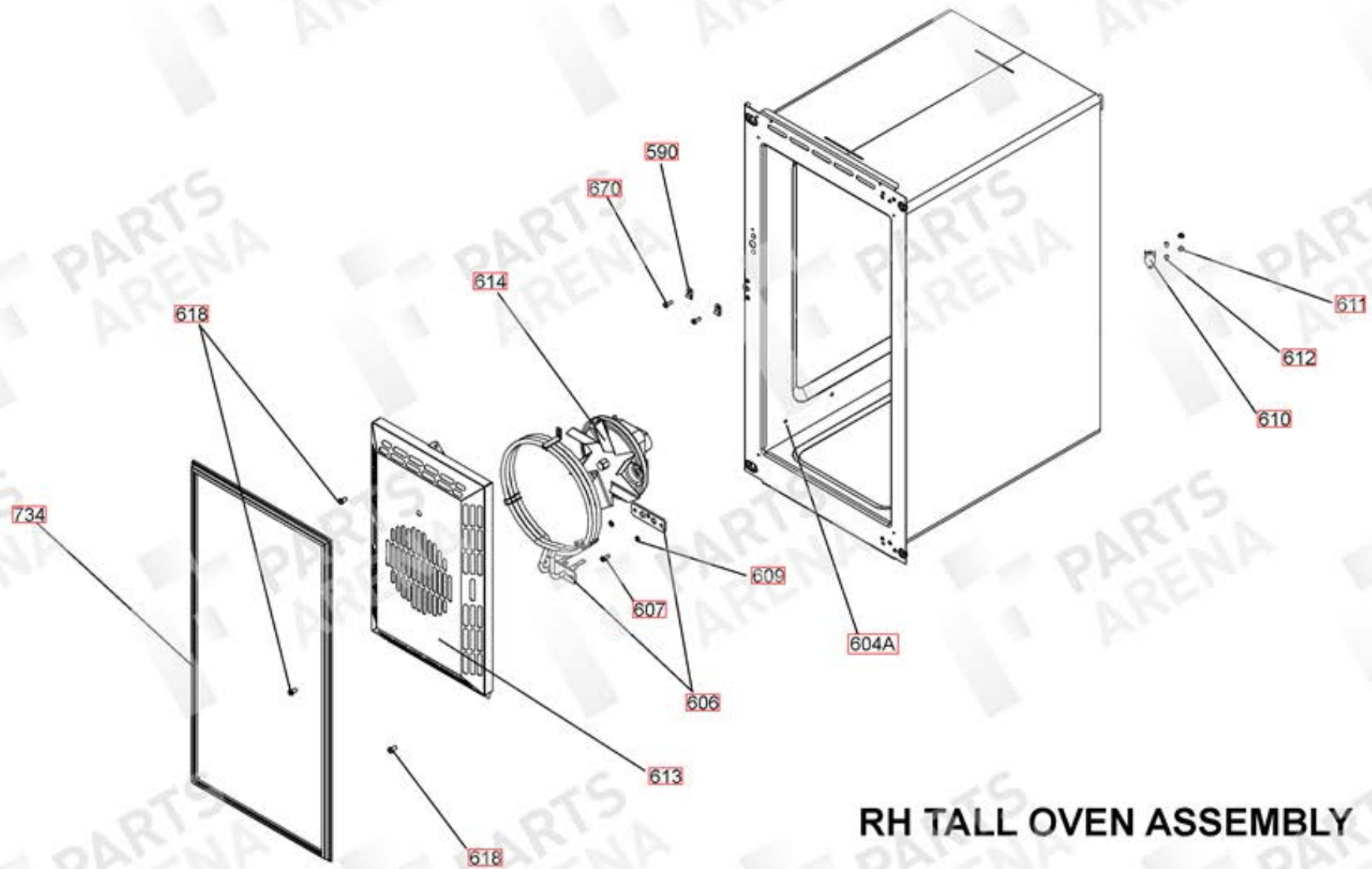


FROM SERIAL NUMBER 169000



LH OVEN (FAN + LIGHT)

FROM SERIAL NUMBER 180000

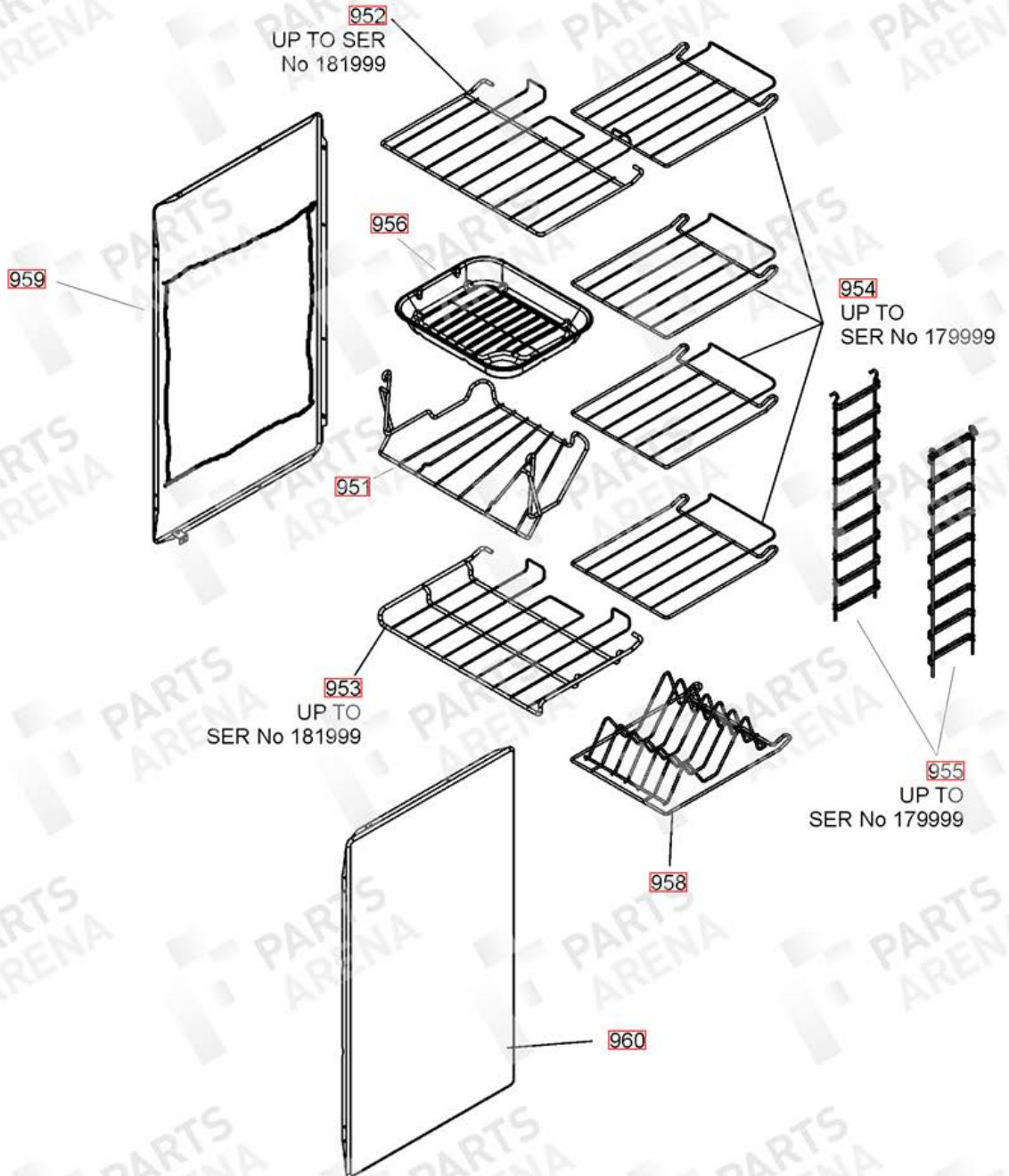


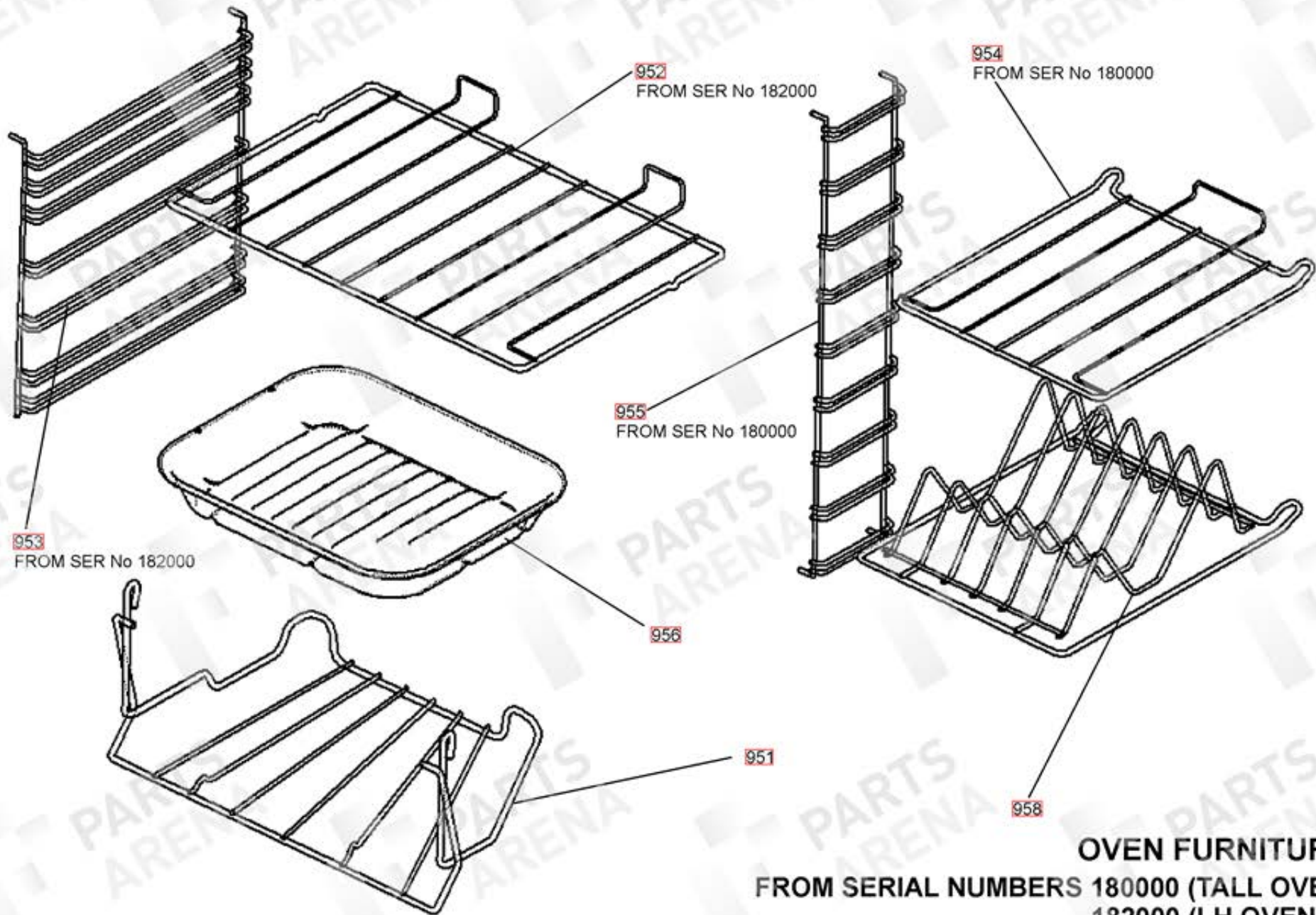
RH TALL OVEN ASSEMBLY

PROFESSIONAL PLUS 90 INDUCTION

DSL0394 P11

DATE 20.11.15 ISSUE STATUS 02





OVEN FURNITURE
FROM SERIAL NUMBERS 180000 (TALL OVEN)
182000 (LH OVEN)

APPLIANCE NAME:
PROFFEIONAL+ 90 INDUCTION

DATE 20.06.08

DSL0394 P12
ISSUE STATUS 01

