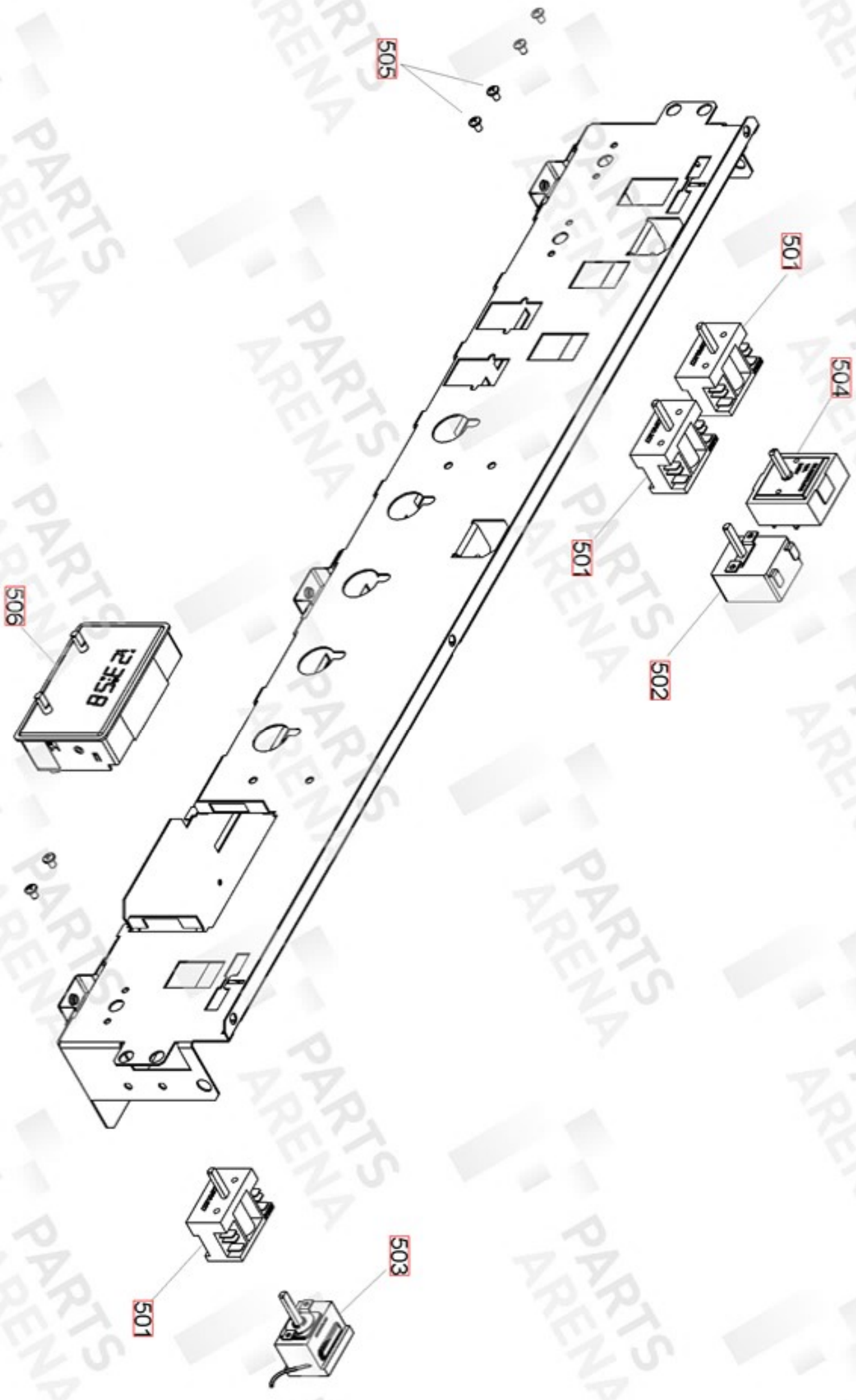


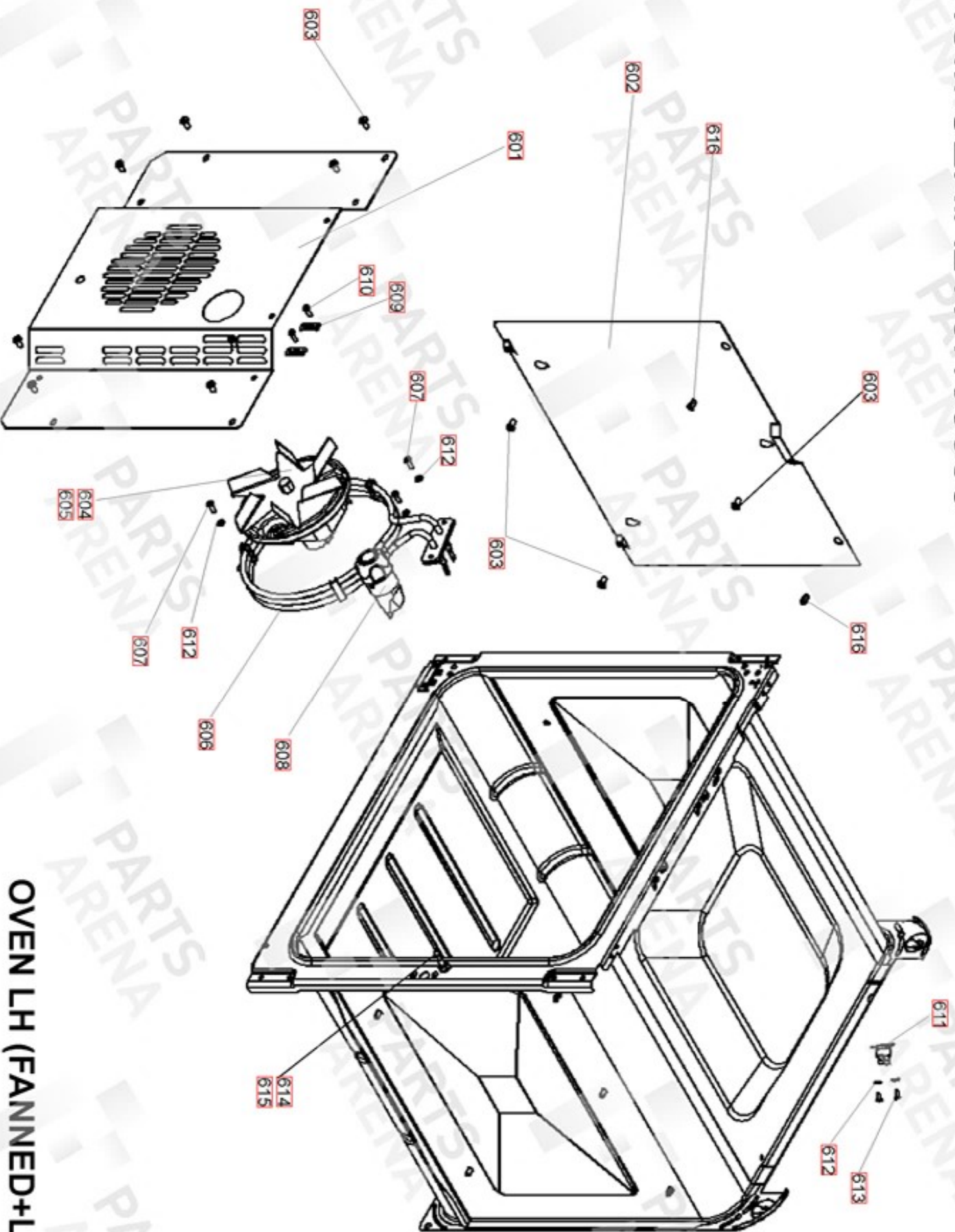
PROFESSIONAL PLUS 90 DUAL FUEL
FROM SERIAL No:193000

DATE: 04.05.17

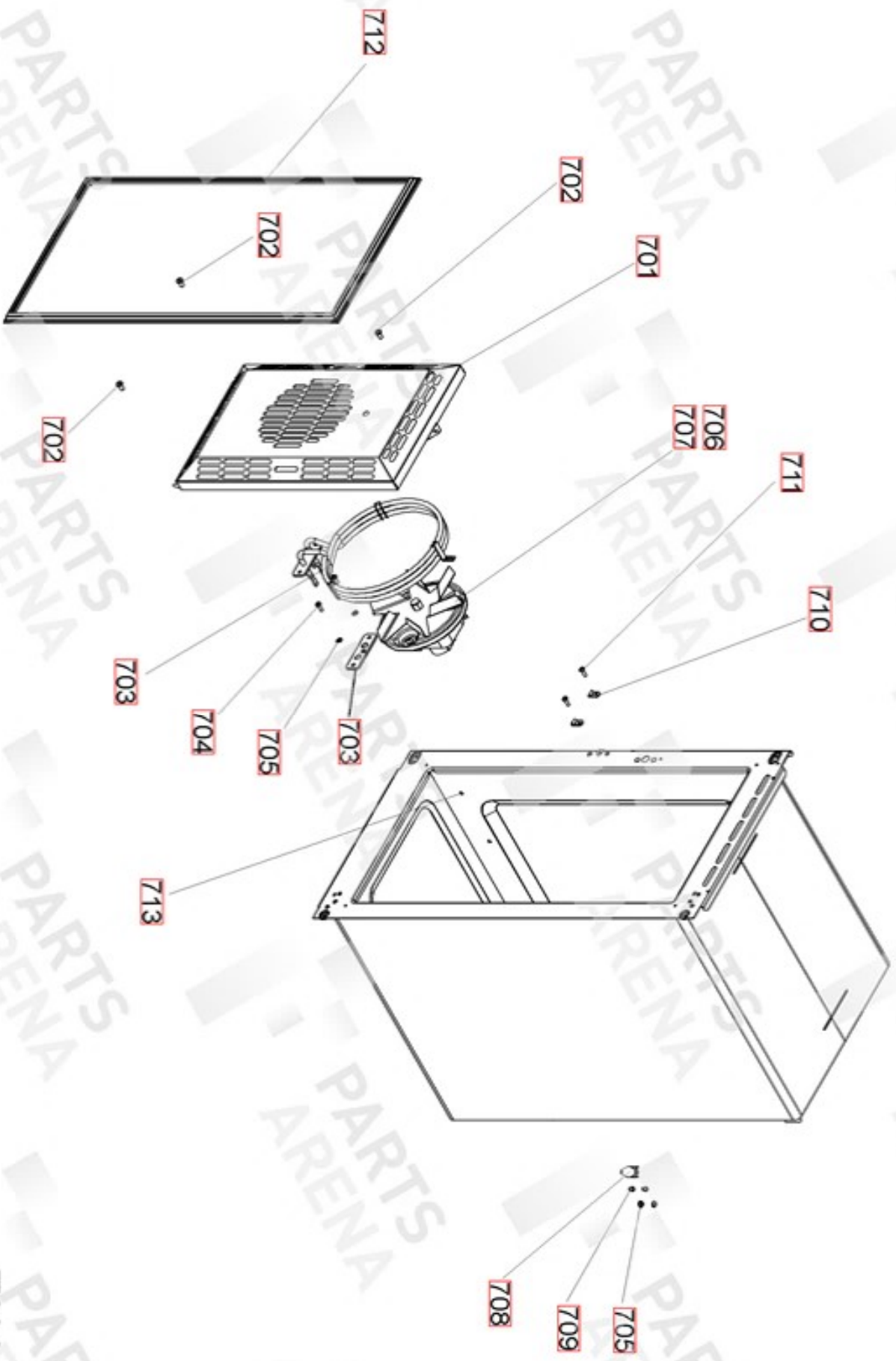
DSL0701 P05

ISSUE: 01

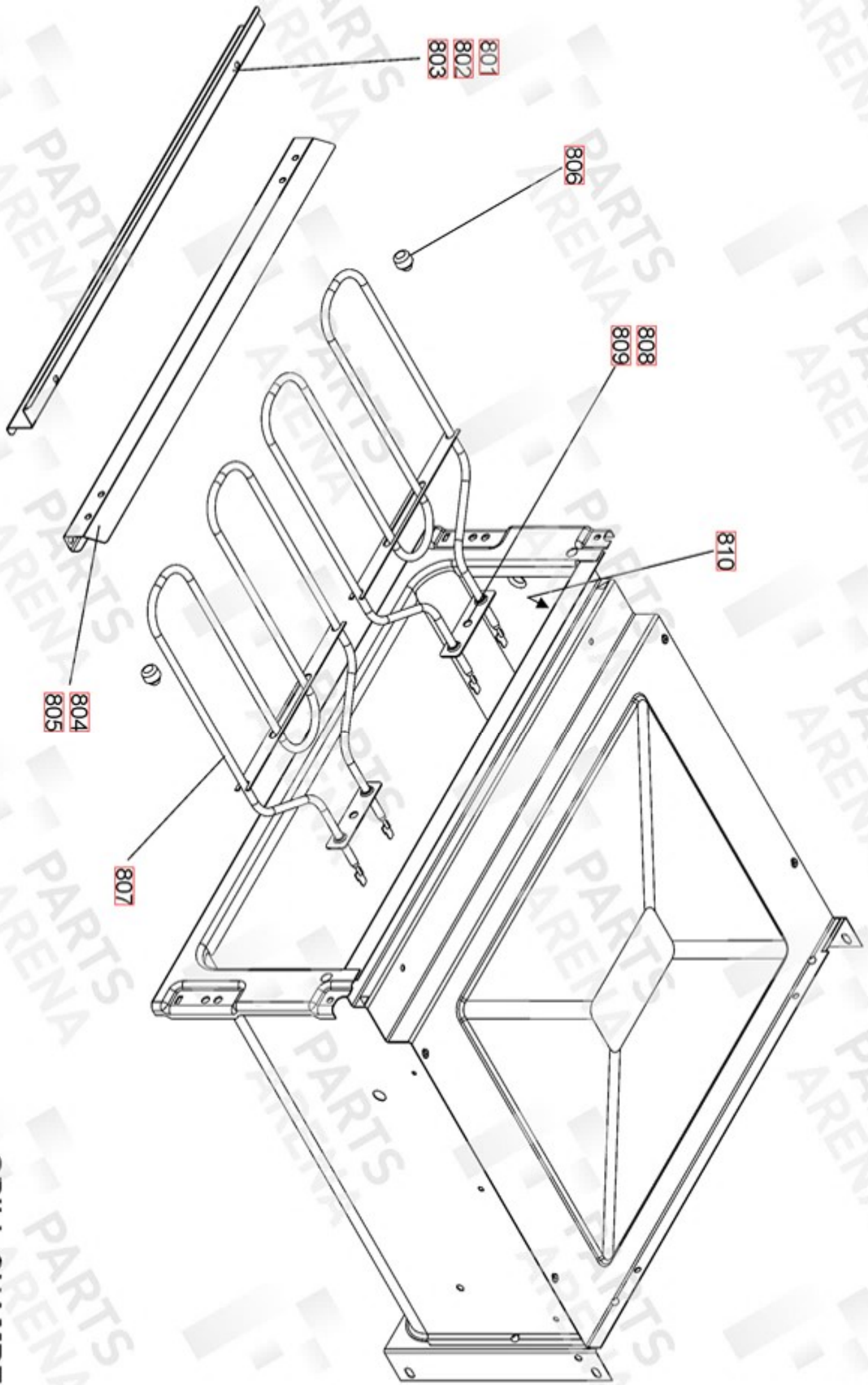




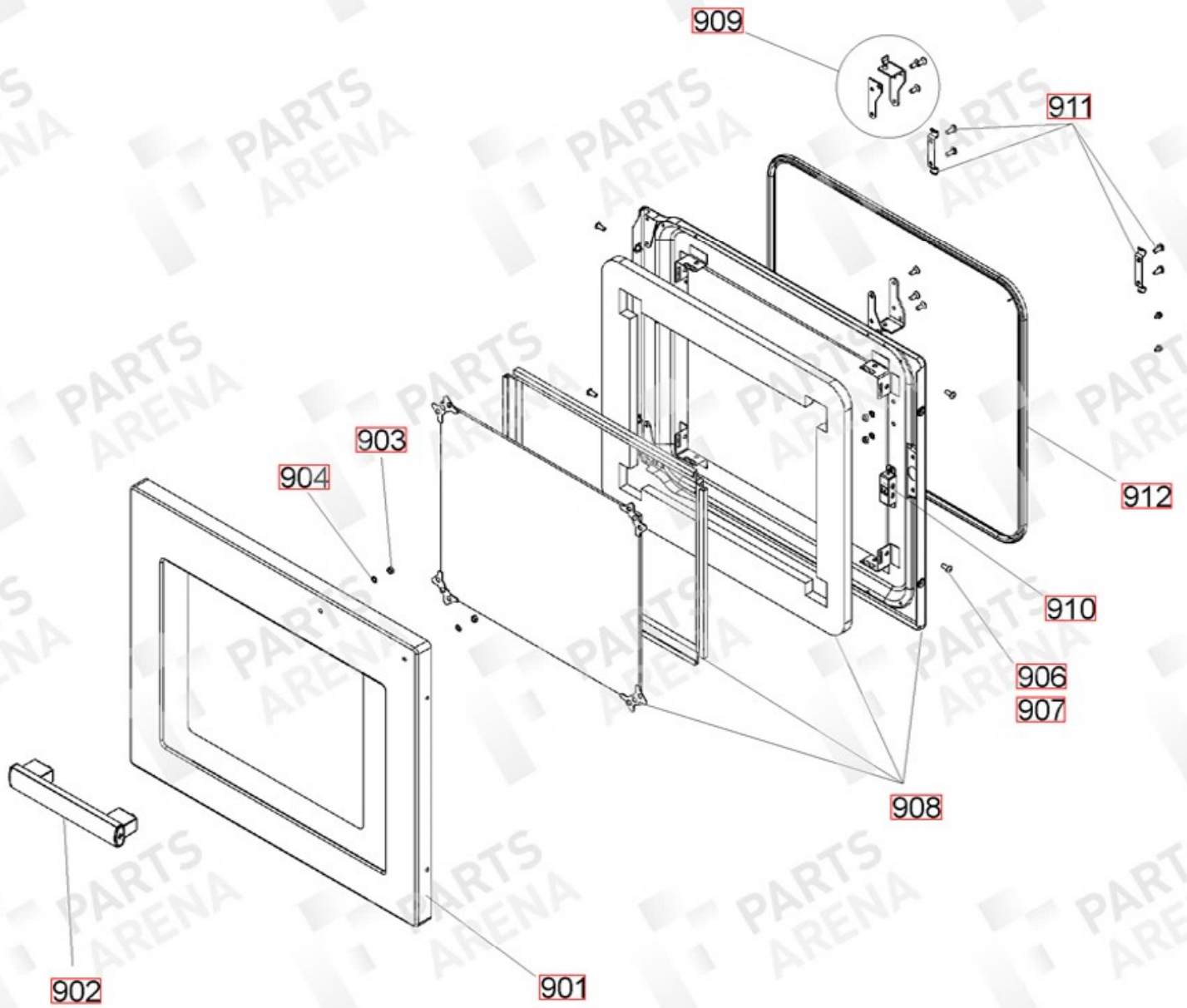
OVEN LH (FANNED+LIGHT)

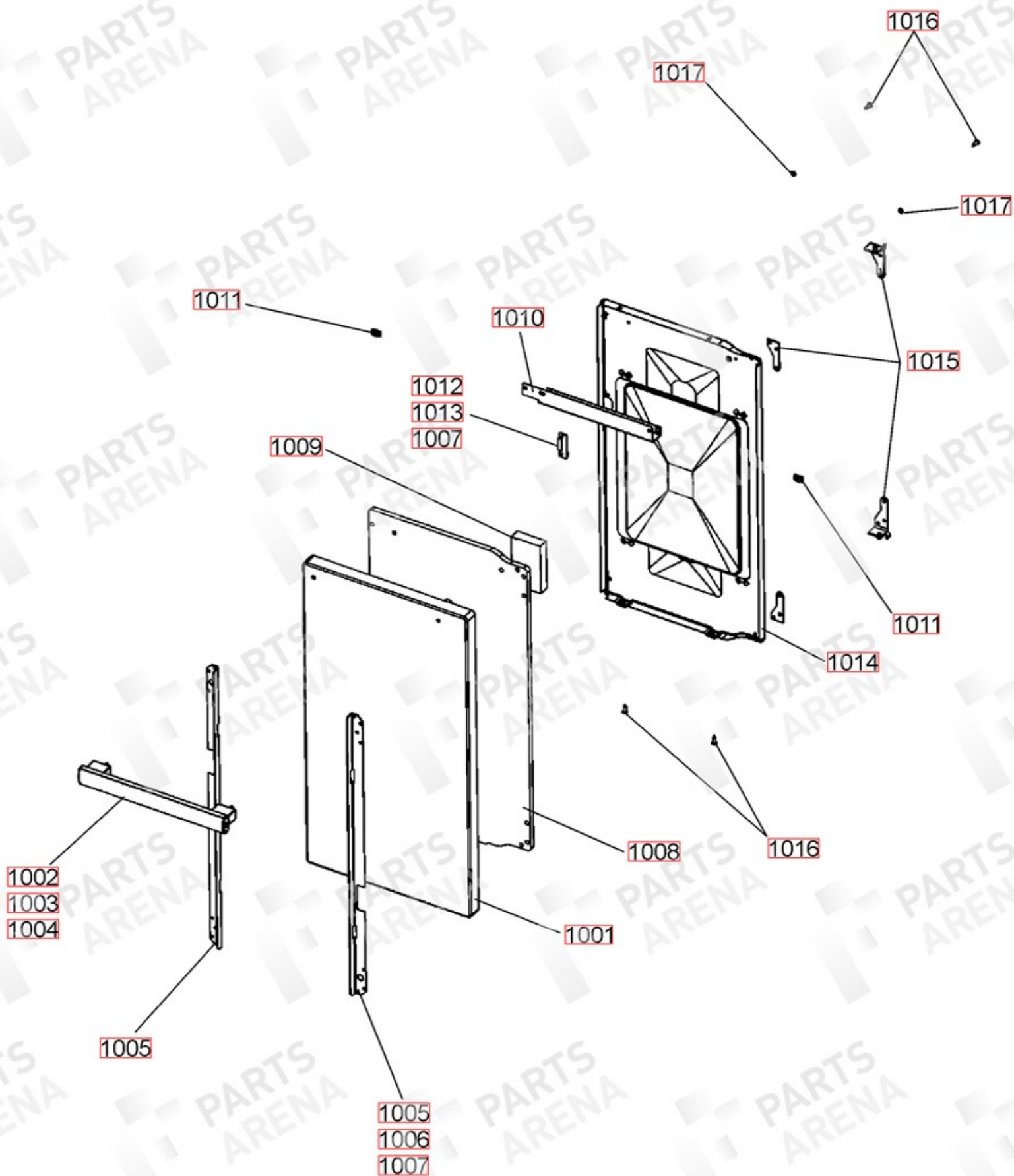


TALL OVEN



GRILL CHAMBER





1021
(TOP FIXING)

1018

1019

1023

1024

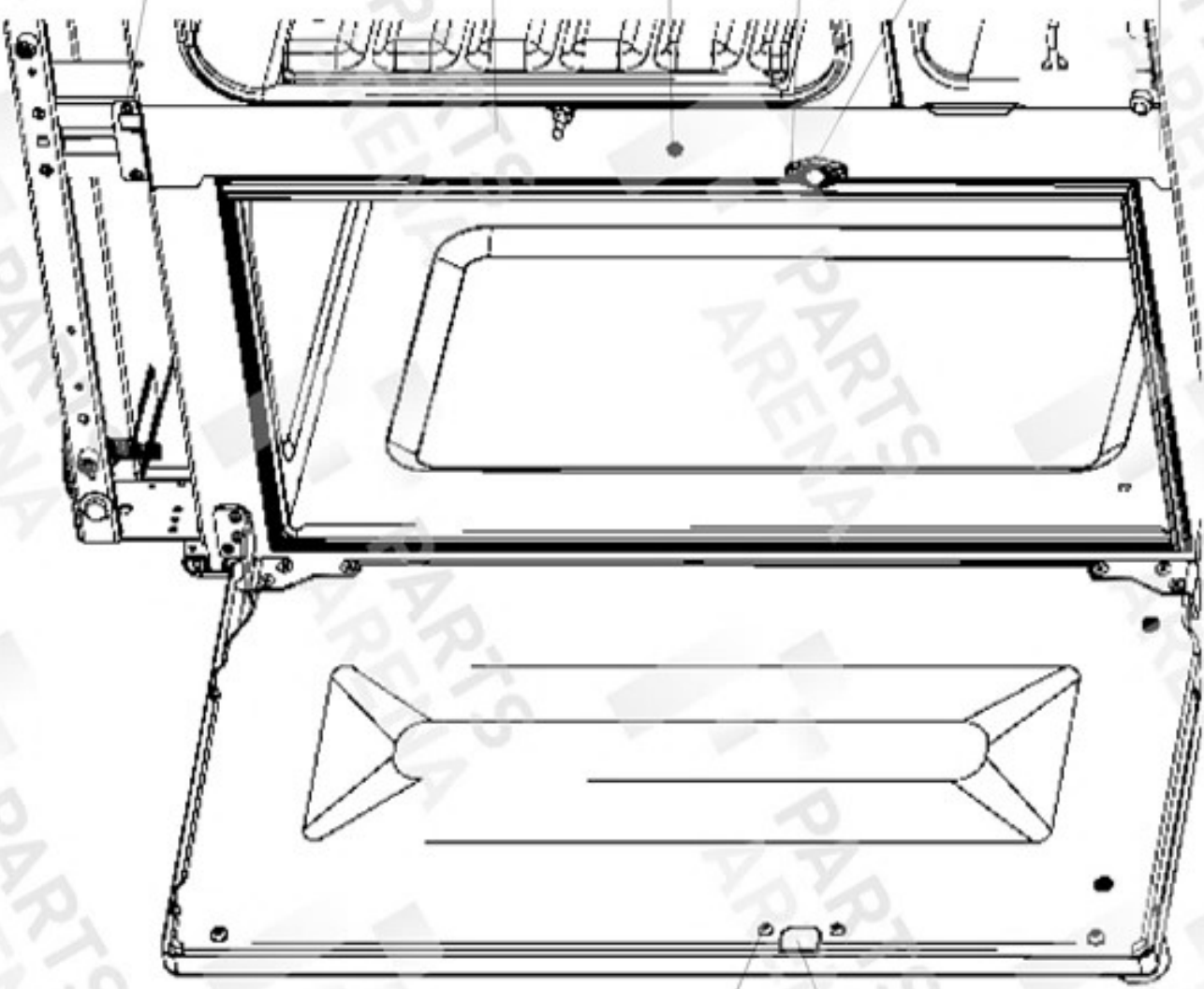
1020

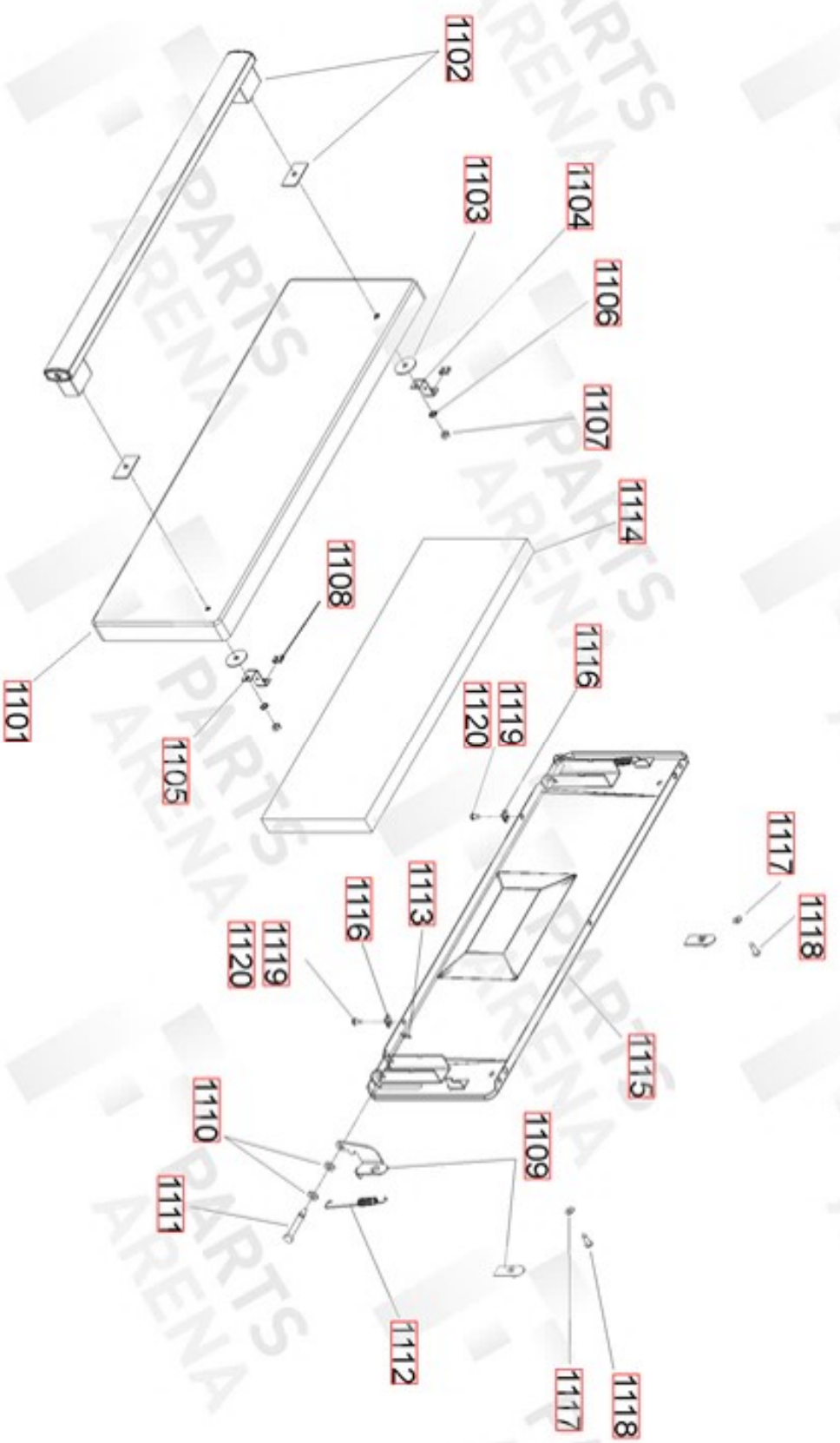
1022

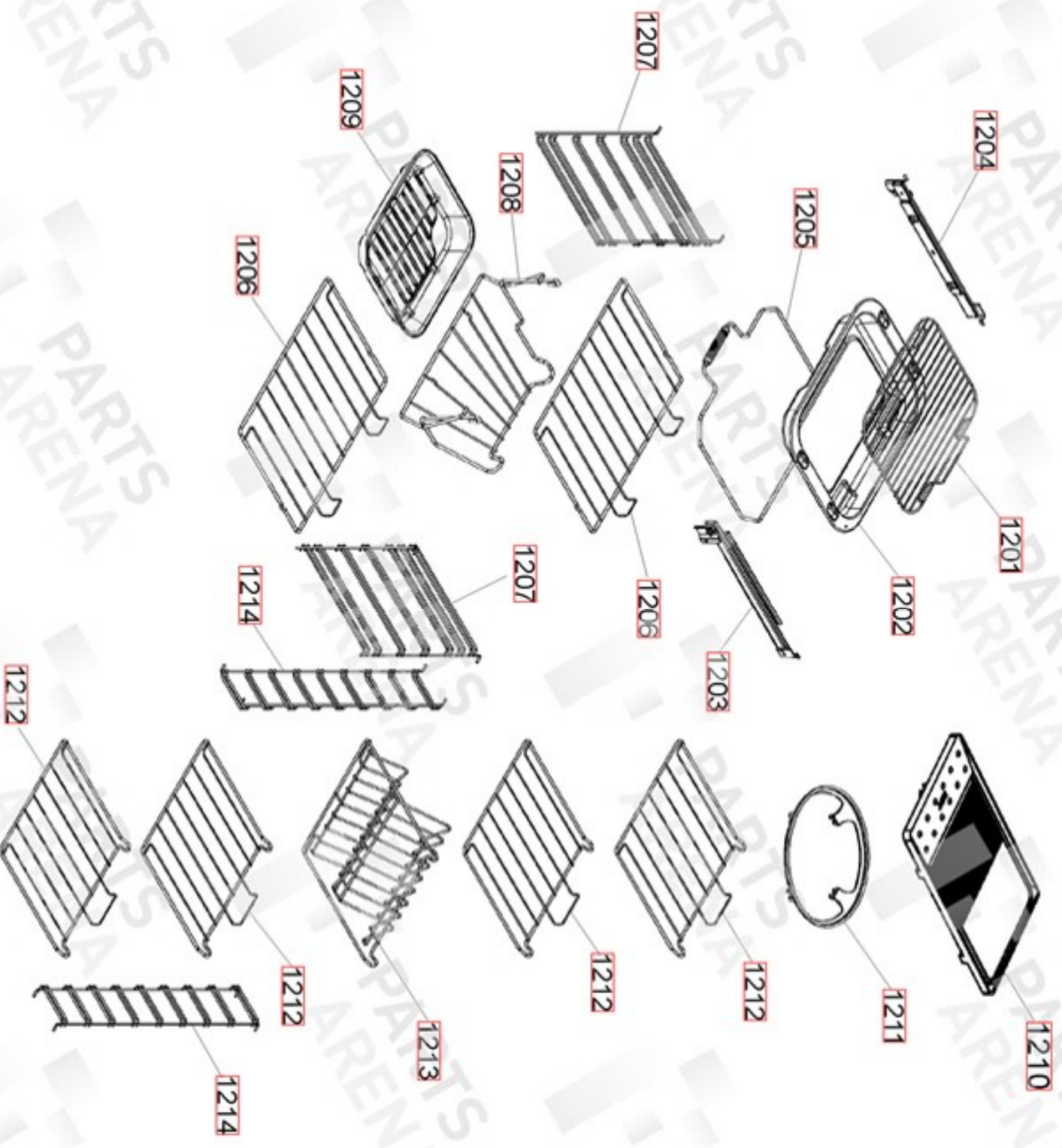
1012

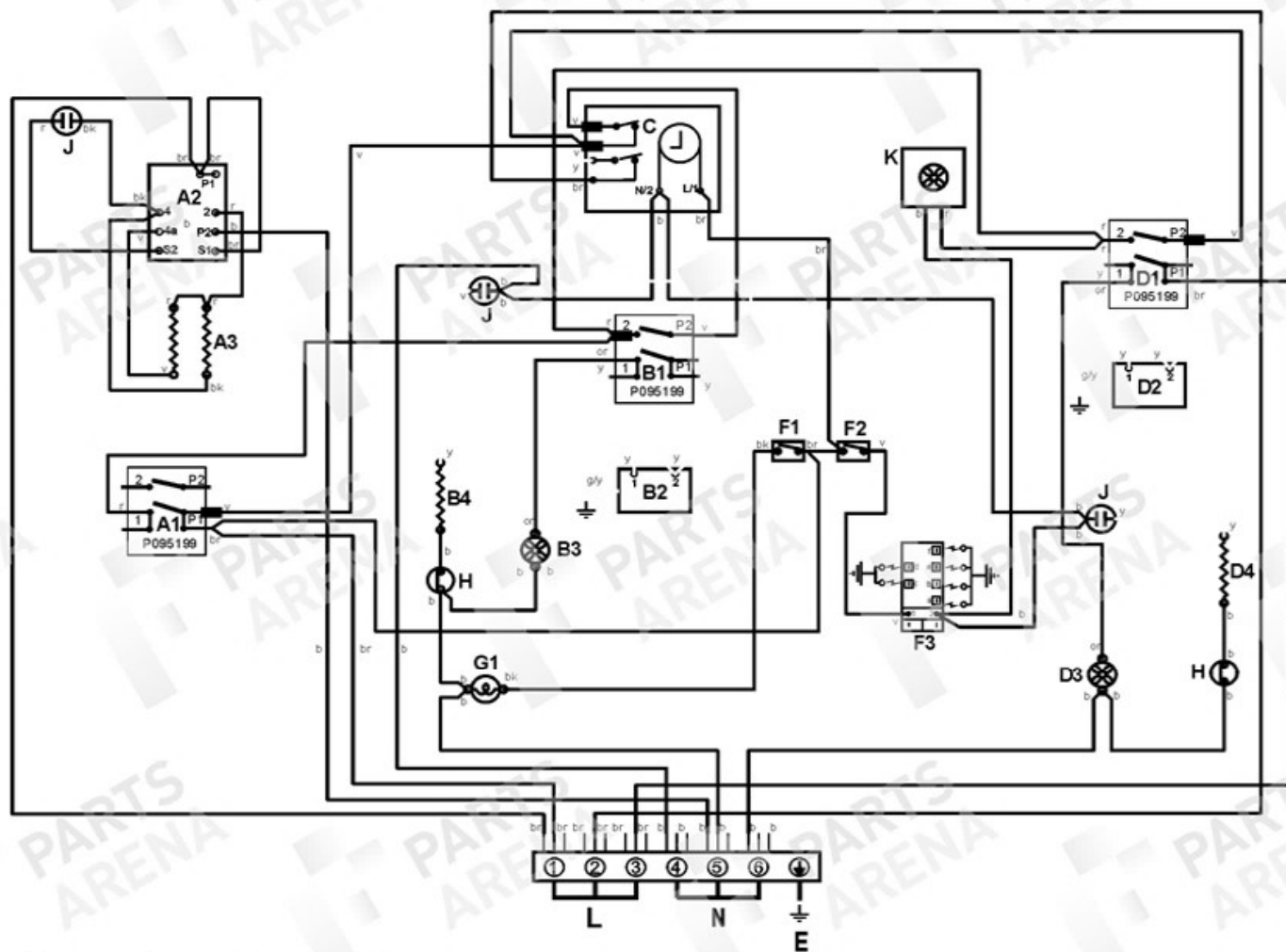
1013

1007









Ref N°	Part N°	Quantity	Colour	Description
w1	P043964	1	b	WIRE 3 LINK RETURN LH OVEN
w2	P055374	2	g/y	NI - WIRE ASSEMBLY - GRILL ELEMENT EARTH
h1	P064453	1	or/y	WIRING HARNESS - LH FANNED OVEN
h2	P064445	1	r/bk/b/v/br	HARNESS - GRILL
h3	P064454	1	or/y/br	FANNED OVEN HARNESS
h4	P049242	1	clear	NI - HT HARNESS
w3	P037863	2	y	WIRE ASSEMBLY
w4	P049241	1	g/y	NI - WIRE ASSEMBLY
w5	P040066	2	b	WIRE ASSY - NEU-LINK T'CUT OUTS
w6	P094943	3	g/y	NI - WIRE ASSEMBLY - HOTPLATE & T'STAT EARTHS
h5	P064447	1	r/v	HARNESS - COOLING FAN
w7	P064448	1	br	BROWN LINK - TB TO TIMER RELAY
w8	P048632	1	y	YELLOW LINK TIMER LH OVEN SWITCH
h6	P066225	1	bk/br/b/v	HARNESS AUX 2 HAND IGN 1 LIGHT
w9	P095443	1	b	WIRE ASSEMBLY
w10	P027672	1	g/y	NI - WIRE ASSY - EARTH LINKS
w11	P095450	1	g/y	NI - WIRE ASSEMBLY - EARTH LINKS

Key

The connections shown in this diagram are for single-phase. The ratings are 230V 50Hz

Code	Description
A1	Grill front switch
A2	Grill energy regulator
A3	Grill elements
B1	Left- hand fanned oven front switch
B2	Left-hand fanned oven thermostat
B3	Left-hand fan oven element
B4	Left-hand oven element
C	Clock
D1	Right-hand oven front switch
D2	Right-hand oven thermostat

Code	Description
D3	Right-hand fan oven element
D4	Right-hand oven element
F1	Oven light switch
F2	Ignition switch
F3	Ignition spark generator
G1	Left-hand oven light
H	Thermal cut-out
J	Neon
K	Cooling fan

Code	Colour
b	Blue
br	Brown
bk	Black
or	Orange
r	Red
v	Violet
w	White
y	Yellow
g/y	Green/yellow