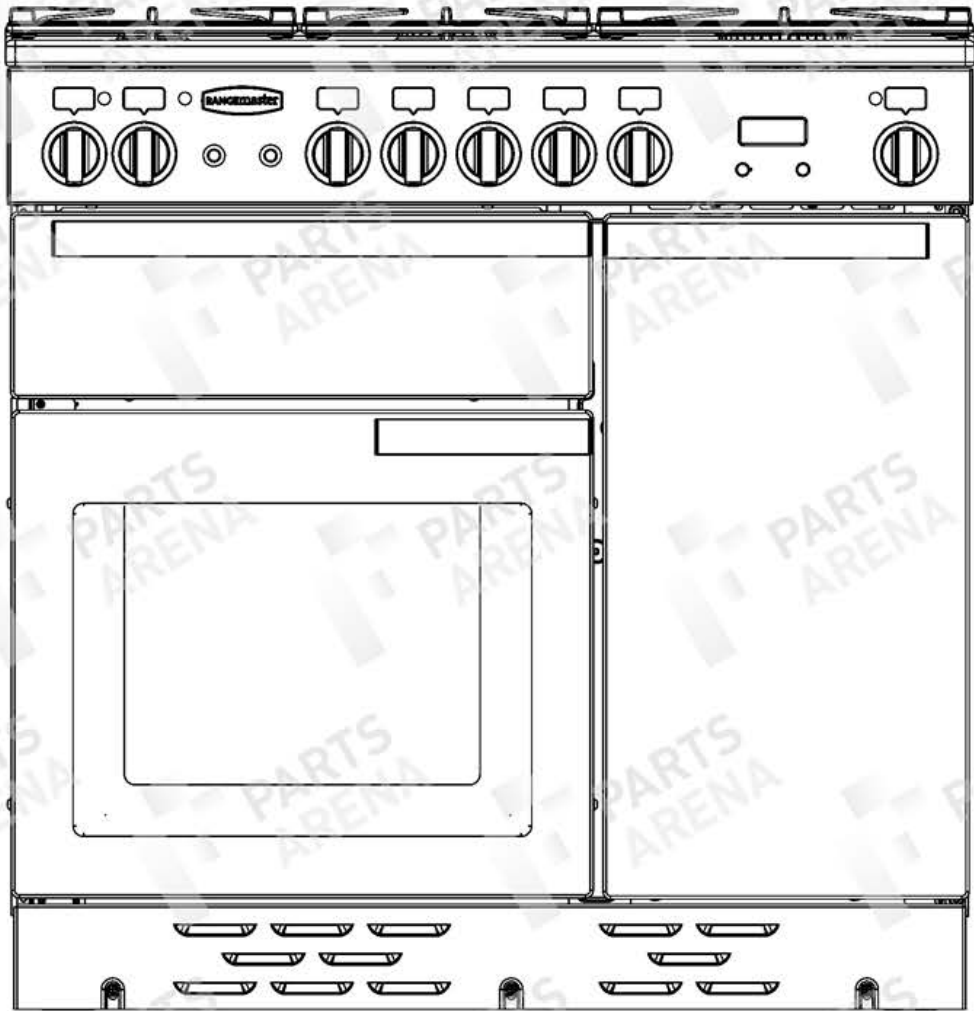
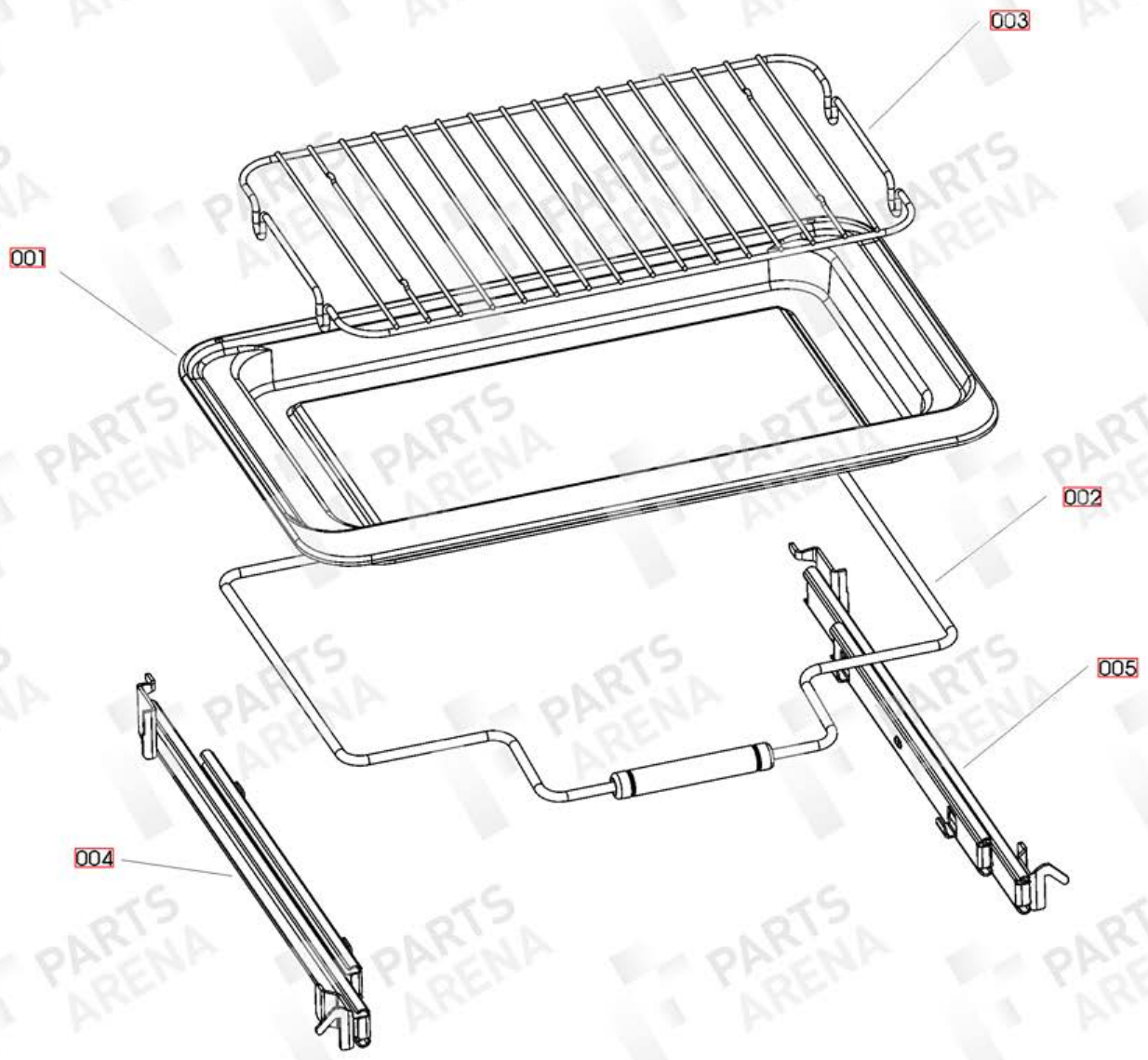
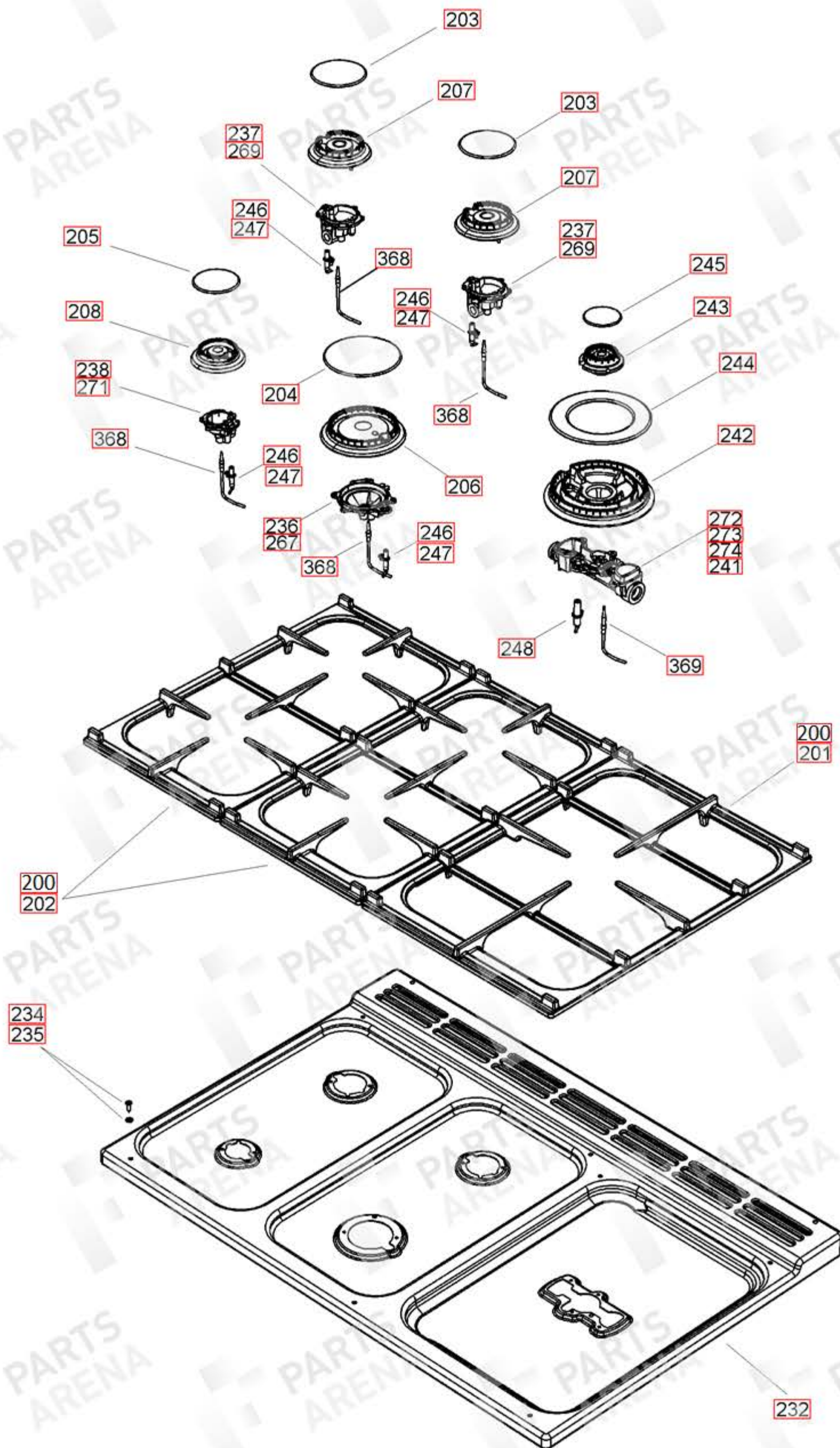


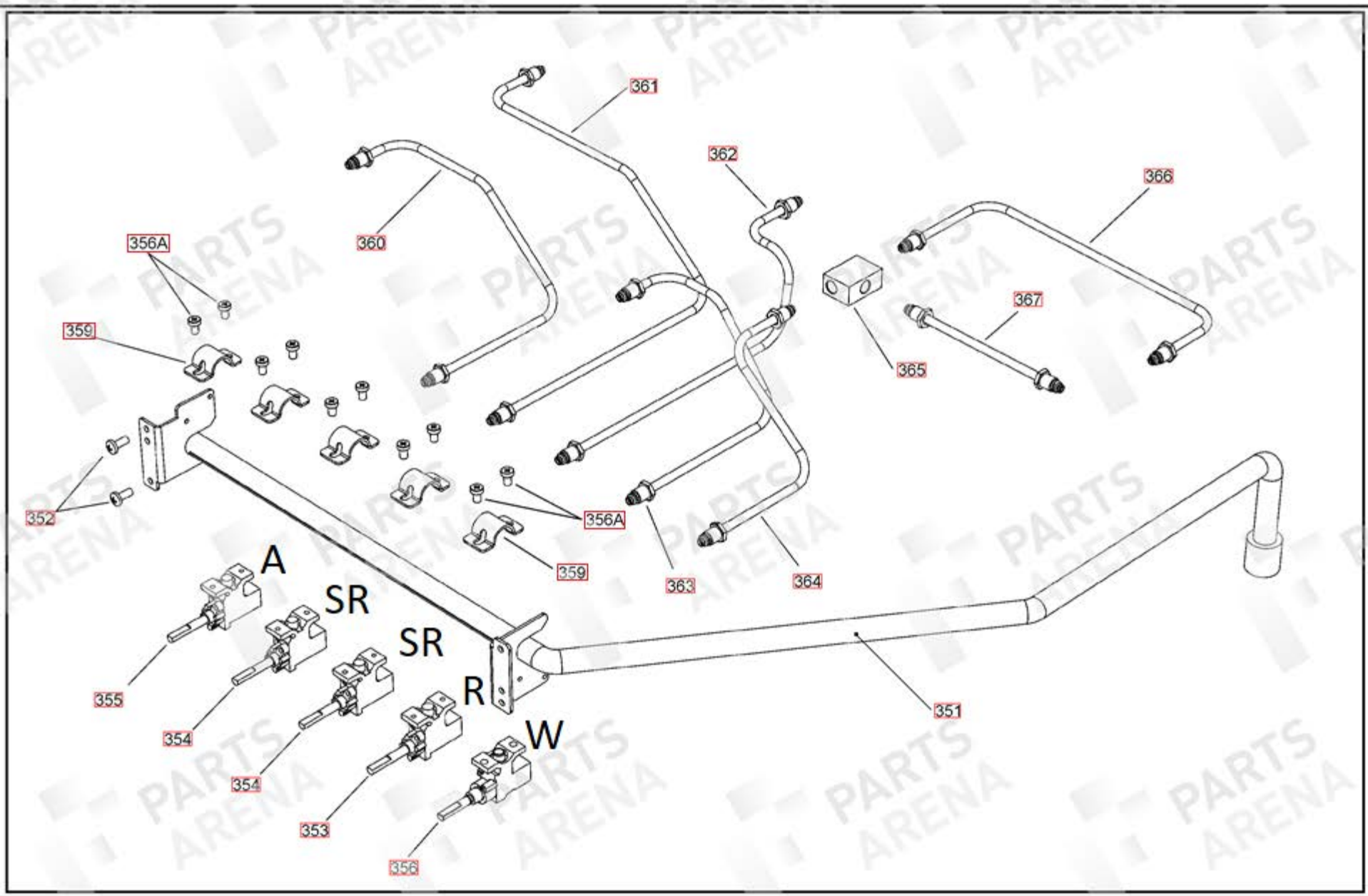
APPLIANCE NAME:
PROFESSIONAL+ 90 DF

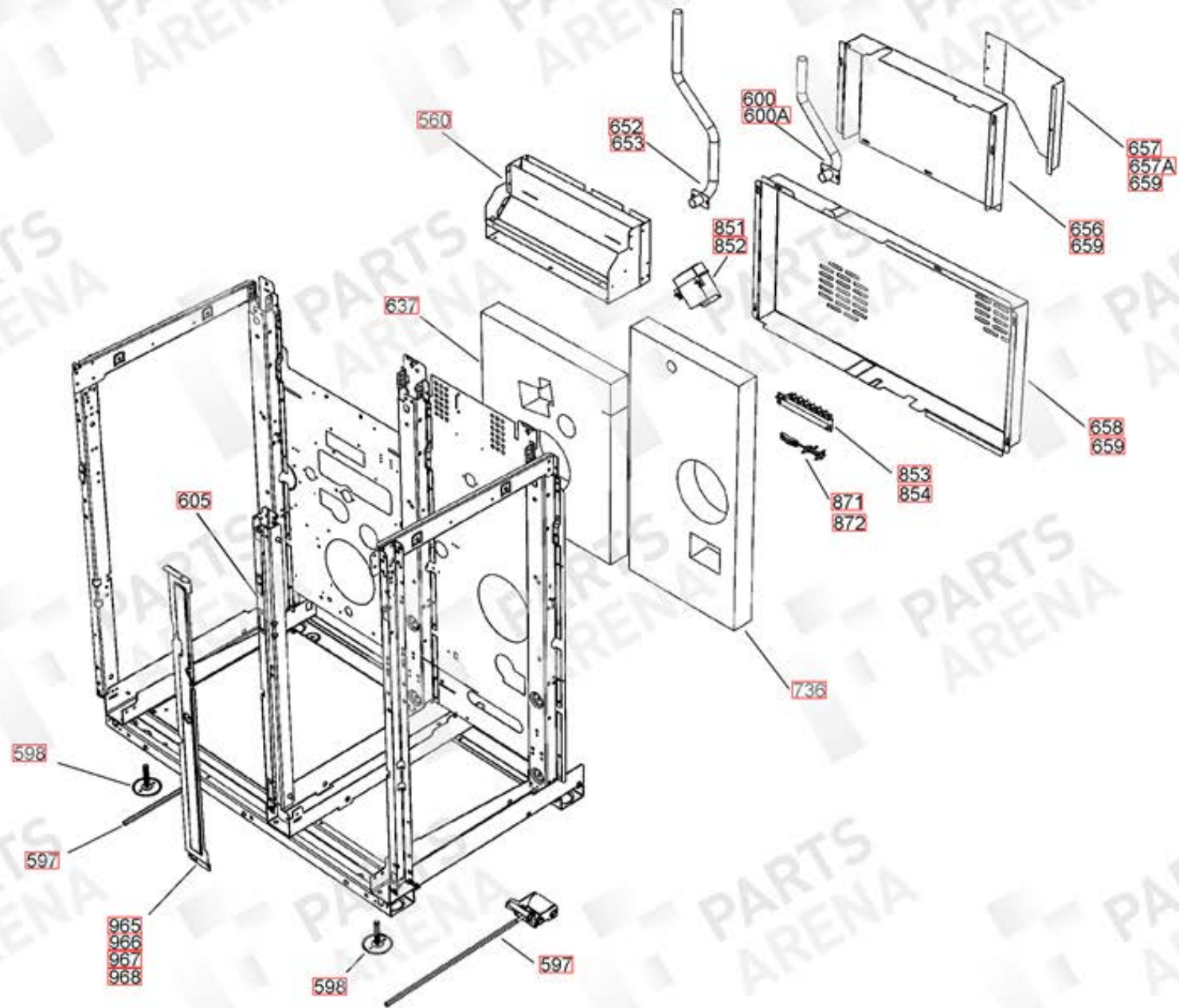
DSL0342 P00
DATE 06..09.07 ISSUE STATUS 001

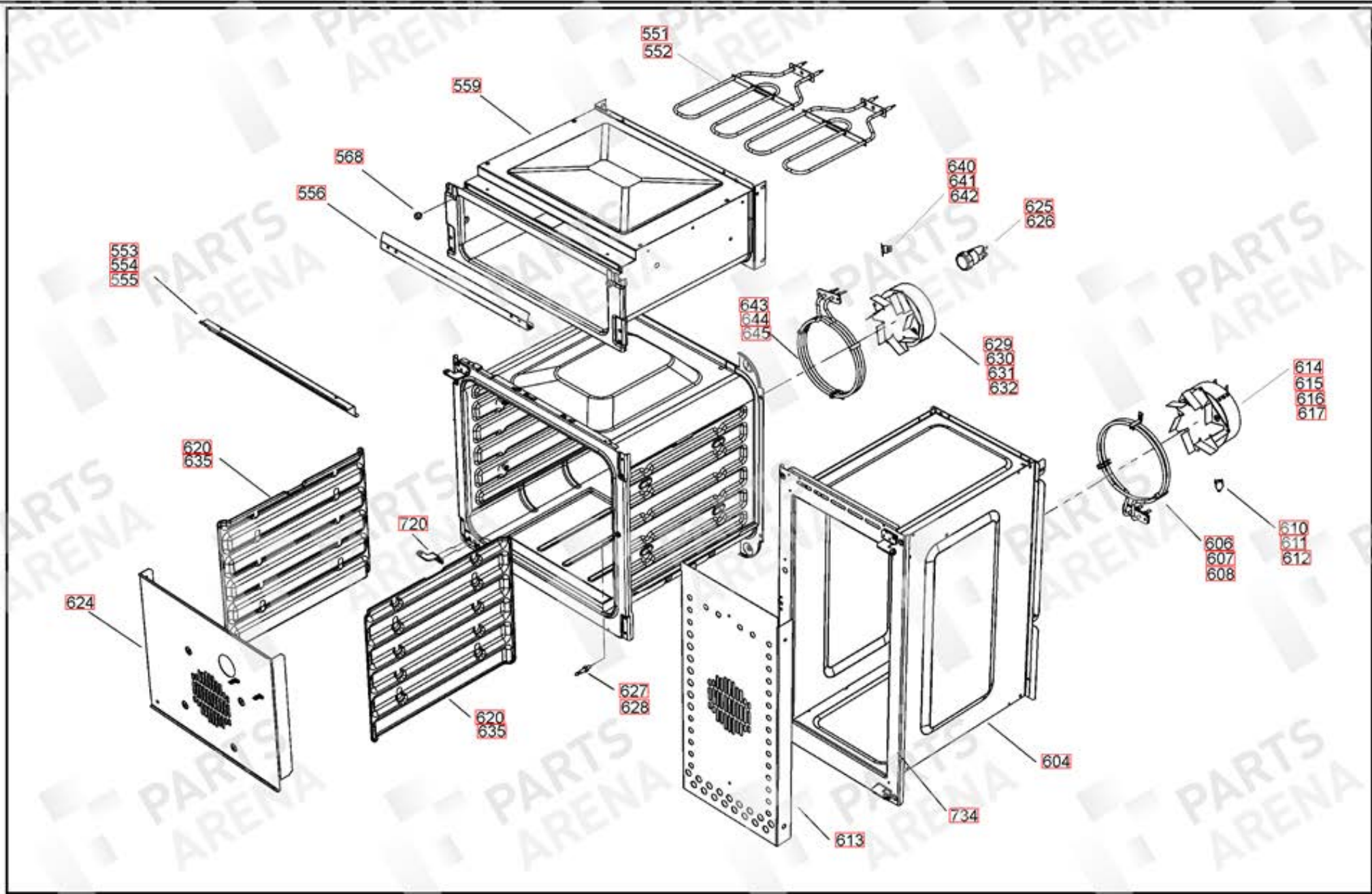


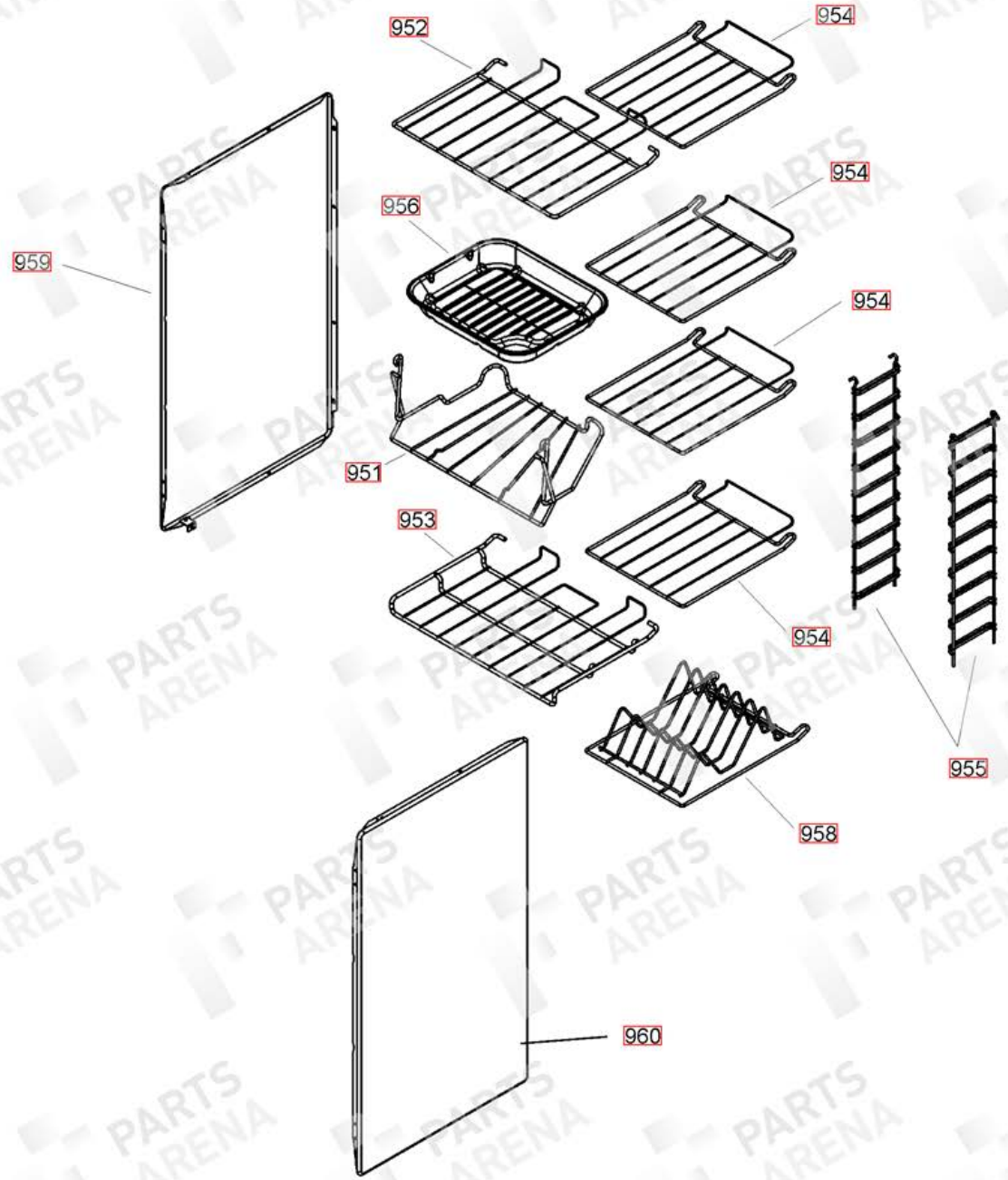


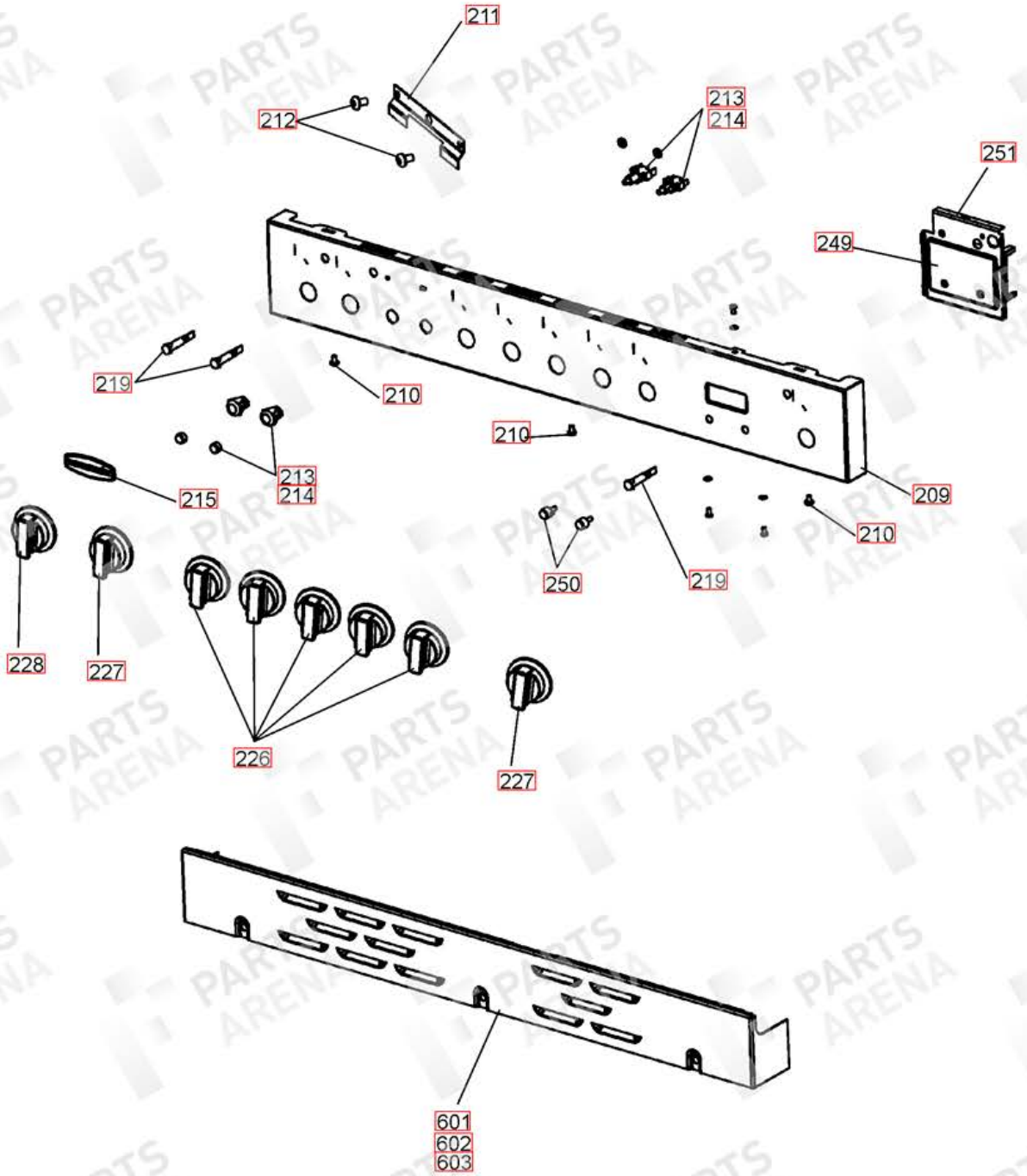


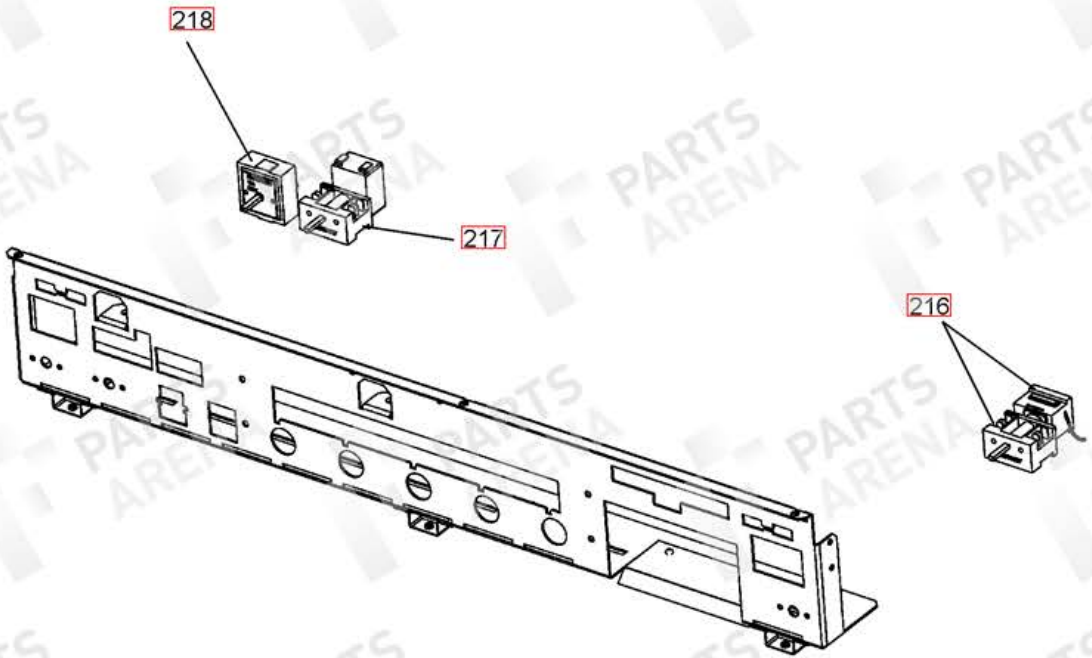


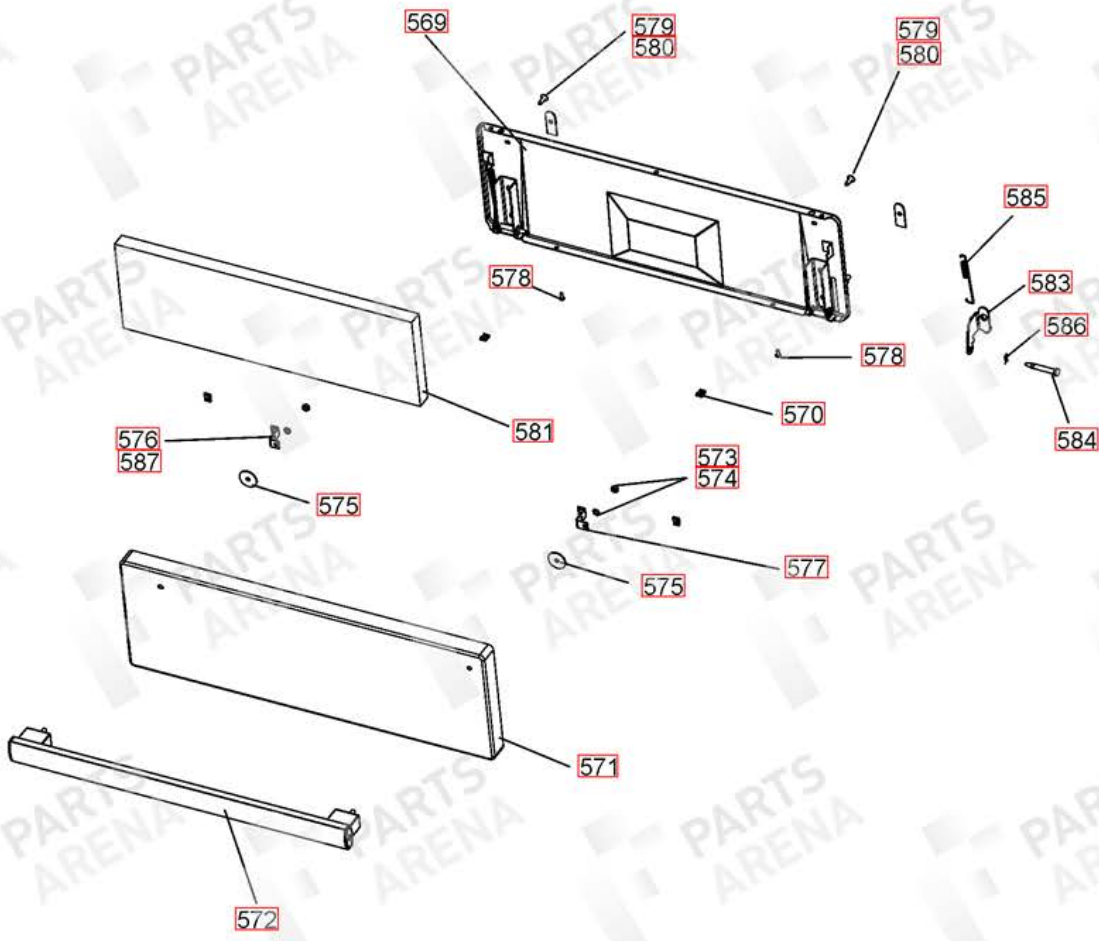


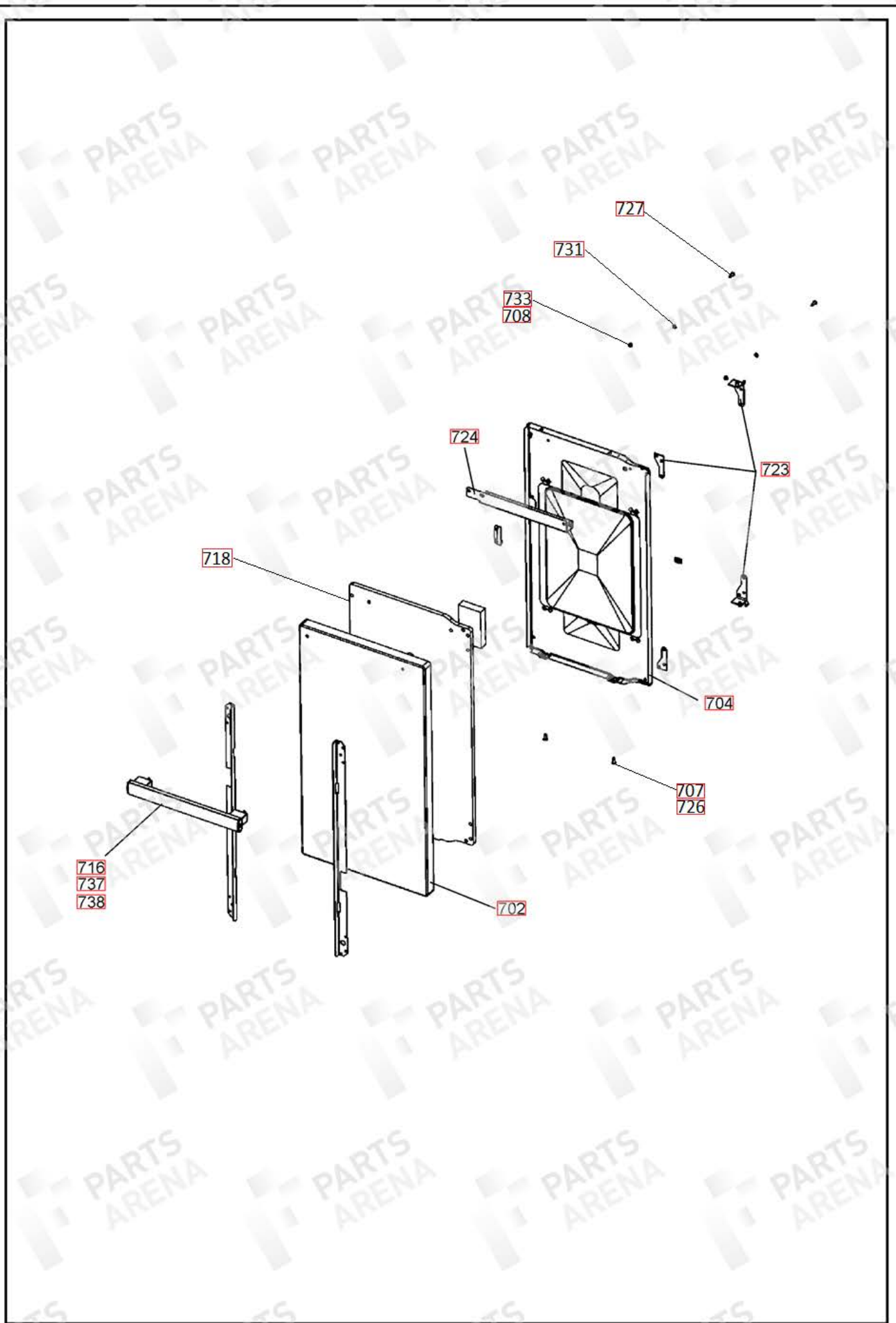


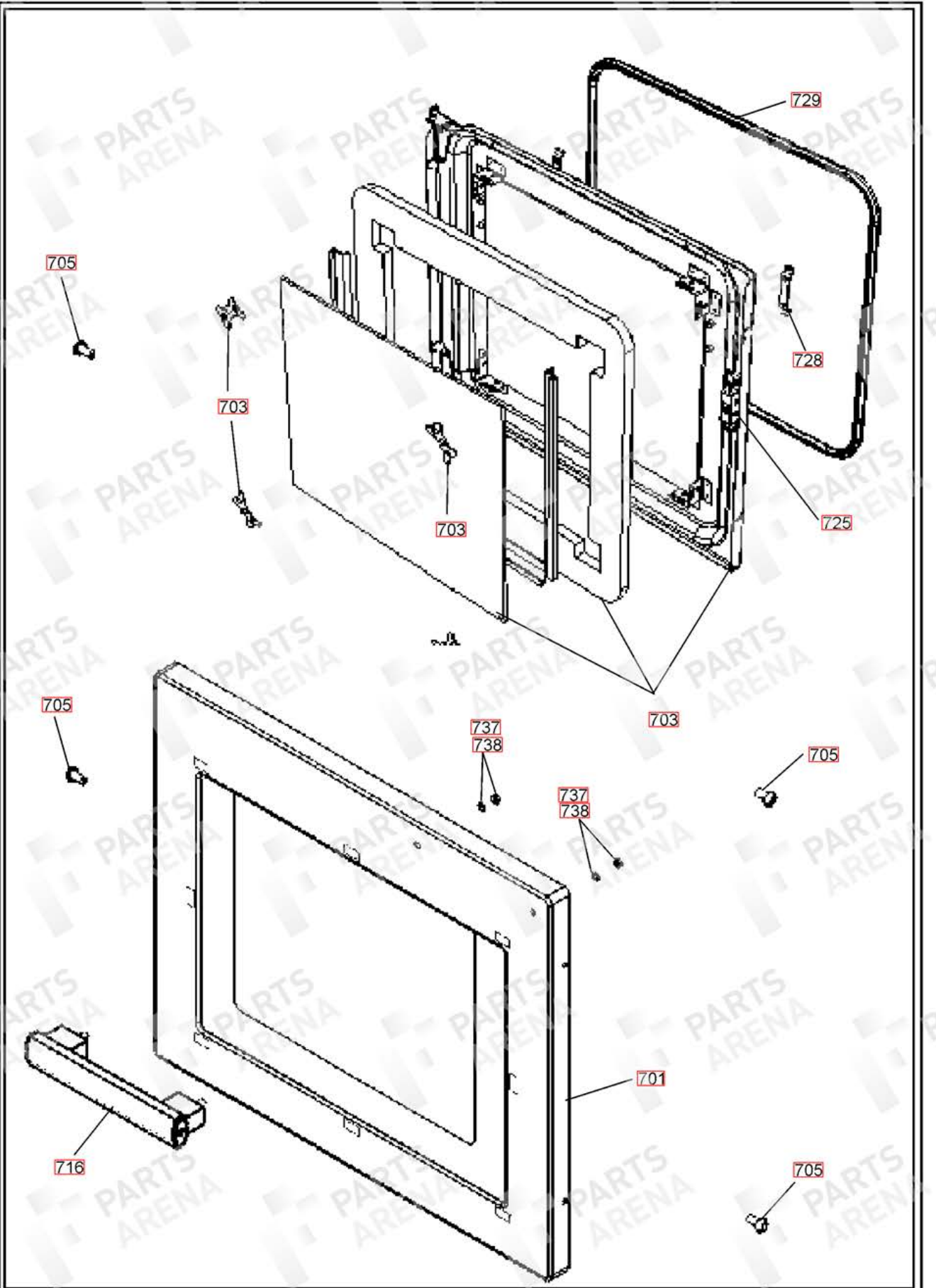


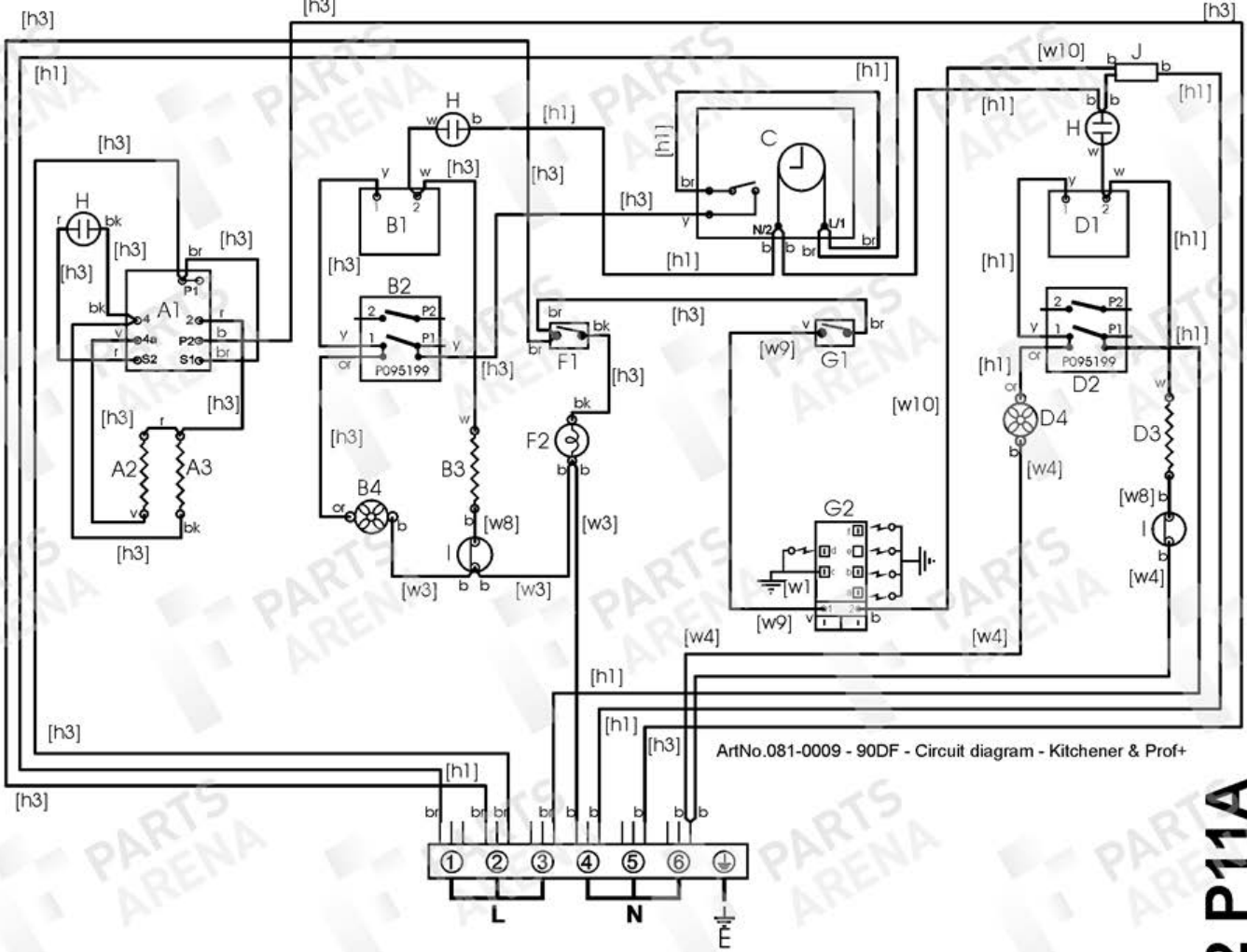












ArtNo.081-0009 - 90DF - Circuit diagram - Kitchener & Prof+

Ref Number	Part number	Quantity	Remarks
h1	P040233	1	Harness Asse mibly - RH Wiring Oven Harness
w1	P049241	1	Wire - EARTH - GENERATOR / CHASSIS
h2	P049242	1	Harness Asse mibly (NI) - HT Harness
h3	P049658	1	Harness Asse mibly - LH Wiring Oven Harness
w2	P095450	1	Wire (NI) - LH FAN; ELEMENT; LIGHT; BLOCK - EARTH
w3	P037238	1	Wire - NEUTRAL LINKS LH COOKER BACK
w4	P027733	1	Wire - RH FAN; ELEMENT; BLOCK - BLUE RTN
w5	P027672	1	Wire (NI) - RH FAN; ELEMENT; BLOCK - EARTH
w6	P094943	3	Wire (NI) - T/STAT; CHASSIS - EARTH
w7	P055374	2	Wire (NI) - GRILL; CHASSIS - EARTH
w8	P040066	2	Wire - Oven elements link to cut out
w9	P049243	1	Wire - IGNITION SWITCH / GENERATOR
w10	P094945	1	Wire - Clock / Spark generator

NI Not Illustrated

w - Single Cable / Single Cable with multiple terminations

h - Harness Assembly (Including Single Wires that are Sheathed)

Code	Description
A1	Grill energy regulator
A2	Grill element left hand side
A3	Grill element right hand side
B1	Left hand oven thermostat
B2	Left hand oven switch
B3	Left hand oven element
B4	Left hand oven fan
C	Clock / Oven timer

Code	Description
D1	Right hand thermostat
D2	Right hand oven switch
D3	Right hand oven element
D4	Right hand oven fan
F1	Oven light switch
F2	Oven light
G1	Ignition switch
G2	Ignition spark generator
H	Neon
I	Thermal cut out
J	Connector

Code	Colour
b	Blue
br	Brown
bk	Black
or	Orange
r	red
v	violet
w	White
y	yellow
gr	Grey

PROF PLUS 90 DF DSL0342 P11A

DATE 10.11.09 ISSUE STATUS 01-

FROM SERIAL No 9000