

PROFESSIONAL PLUS 110 INDUCTION

DATE 01.11.17

DSL0772 P00

ISSUE:01



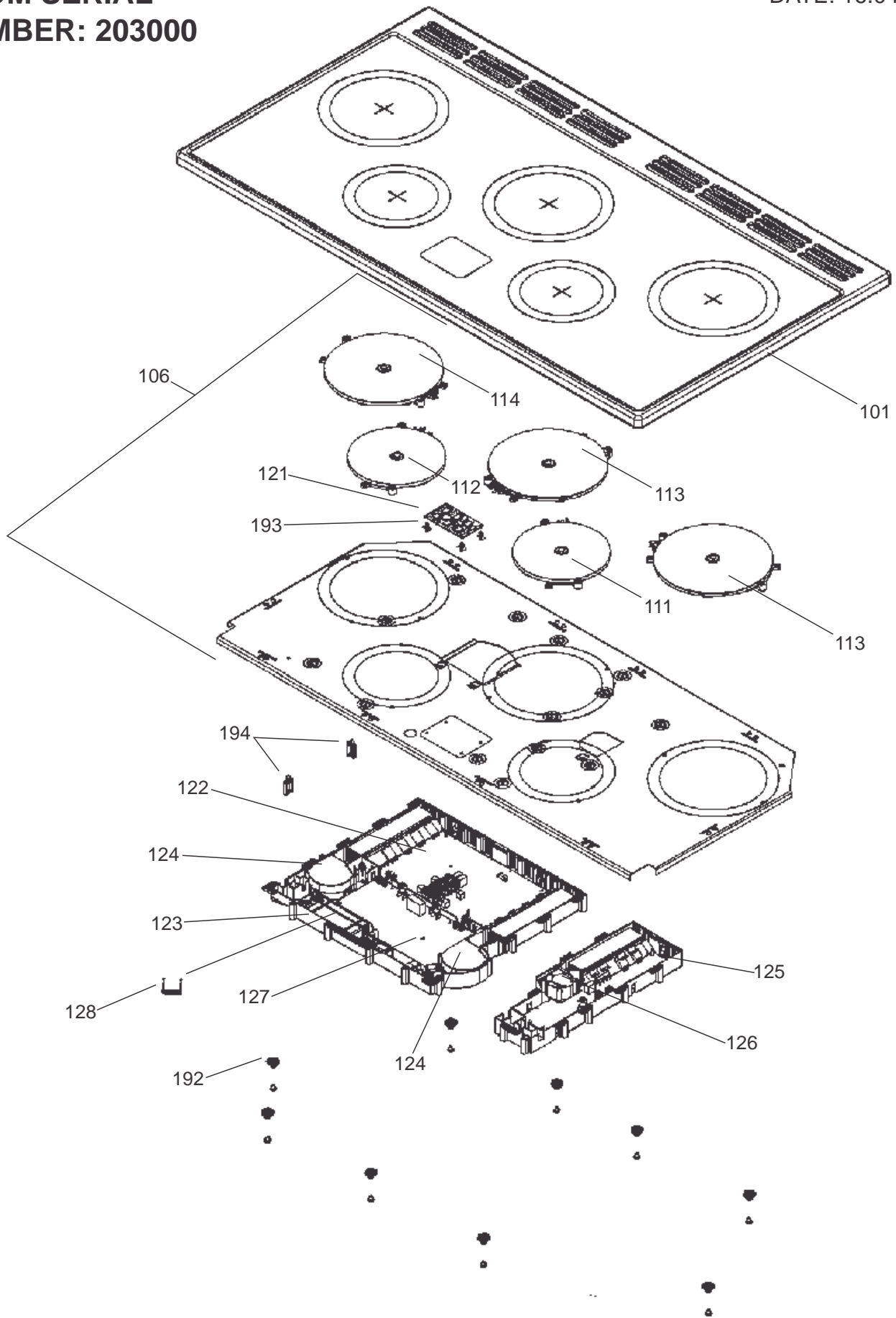
PROFESSIONAL PLUS 110 INDUCTION

DSL0772 P01

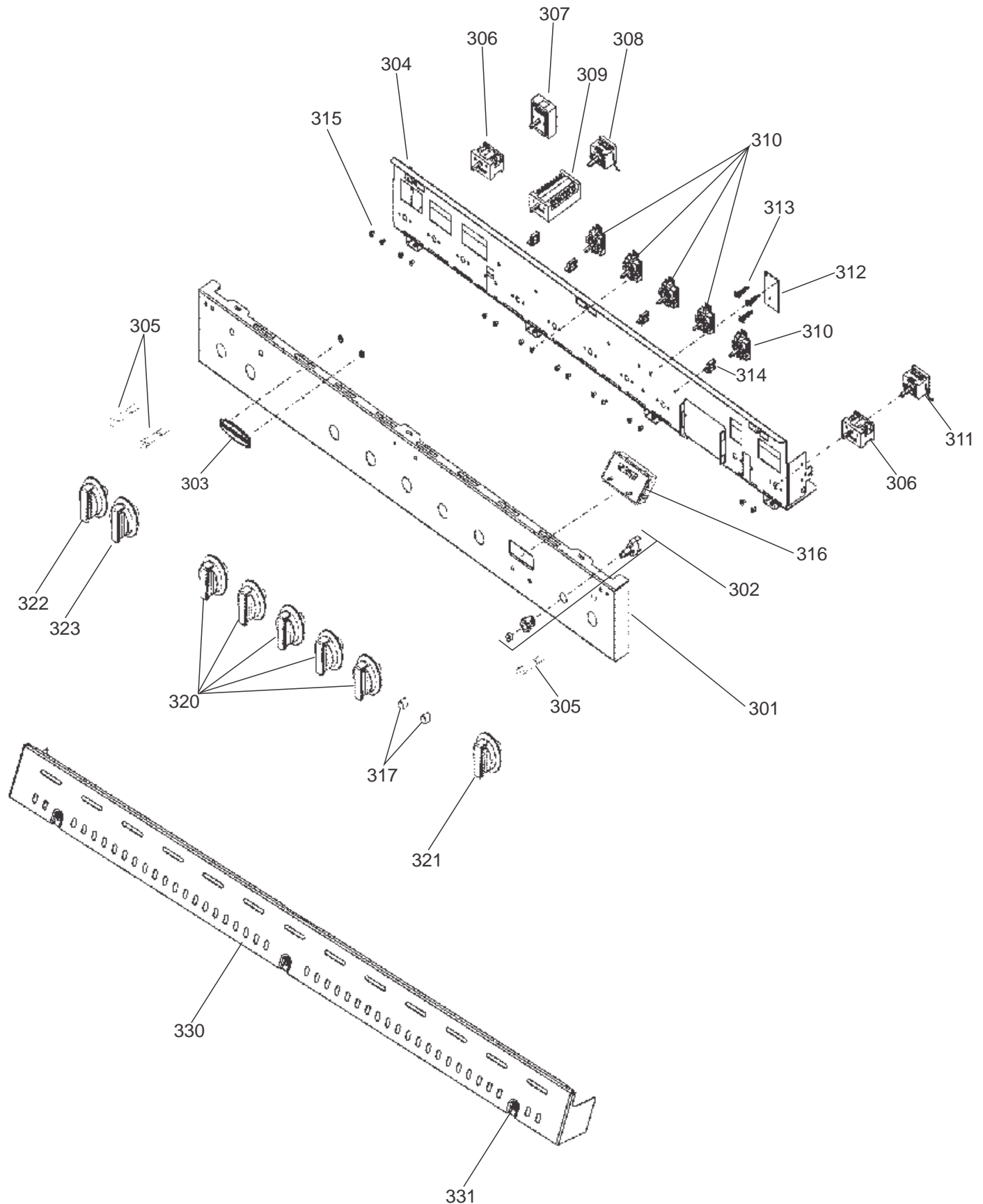
ISSUE:01

FROM SERIAL
NUMBER: 203000

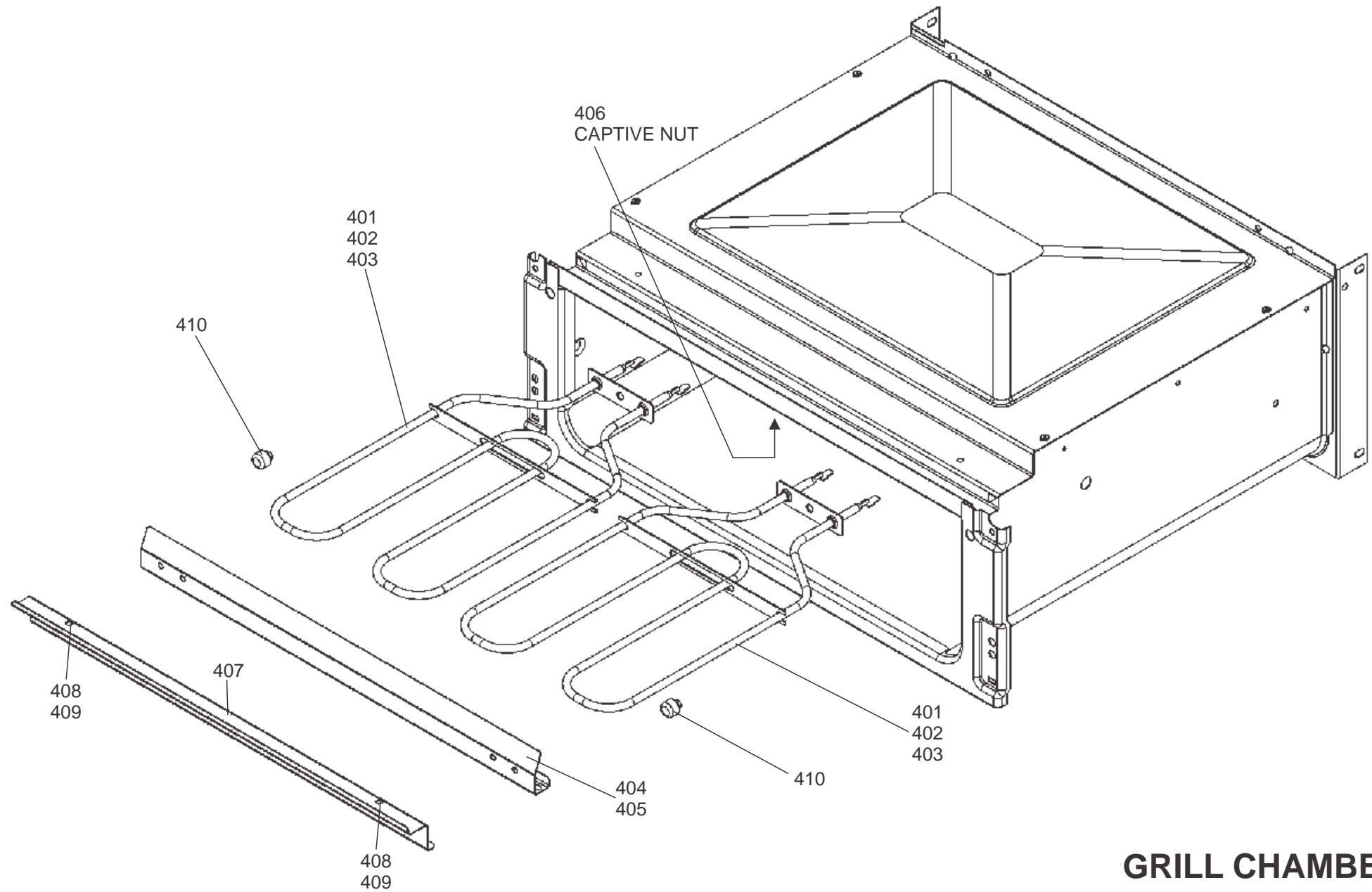
DATE: 16.04.2019



HOB AND INDUCTION ASSEMBLY



FACIA - CONTROL KNOBS AND PLINTH



GRILL CHAMBER

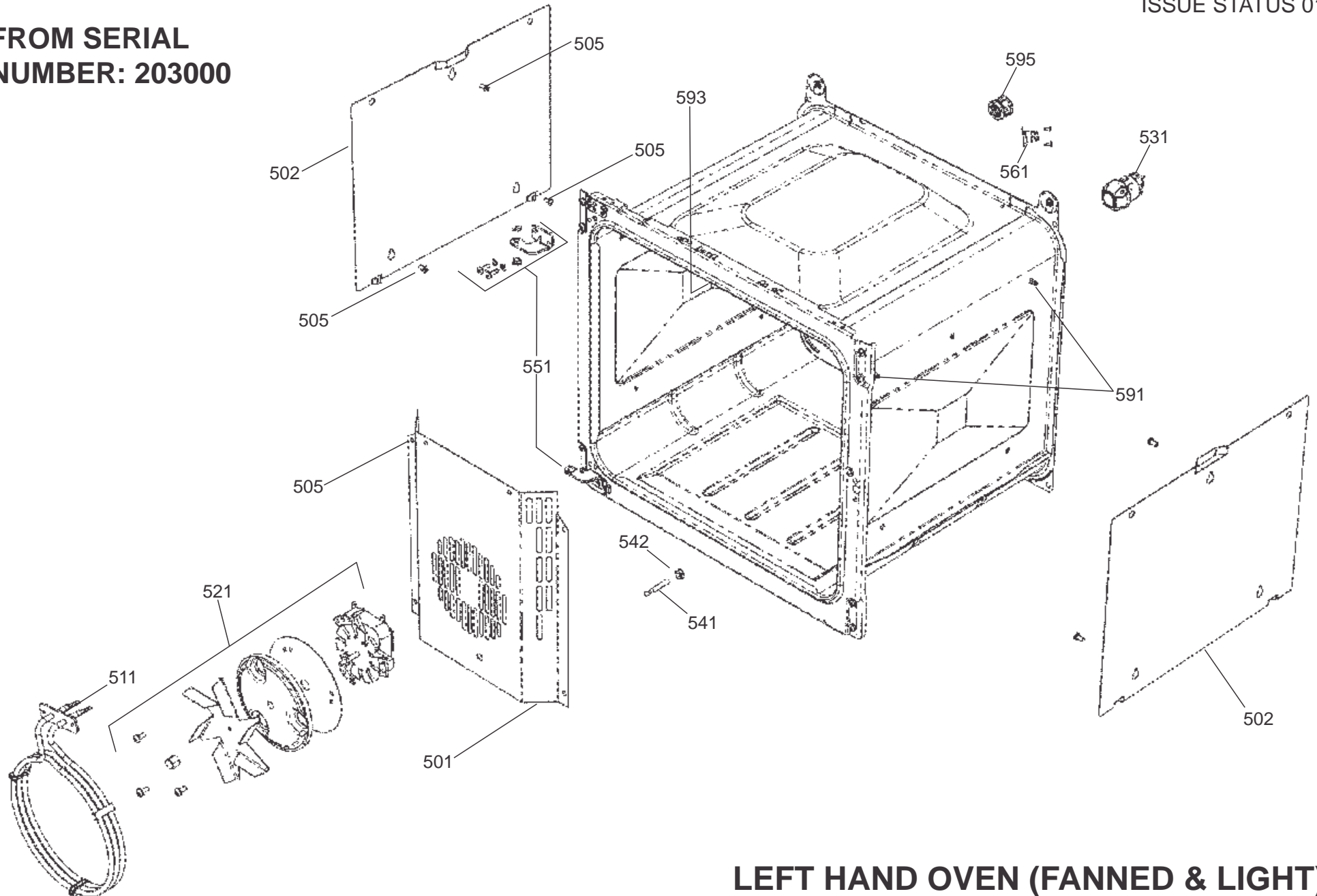
PROFESSIONAL PLUS 110 INDUCTION

DATE: 08.08.18

DSL0772 P05

ISSUE STATUS 01

**FROM SERIAL
NUMBER: 203000**



LEFT HAND OVEN (FANNED & LIGHT)

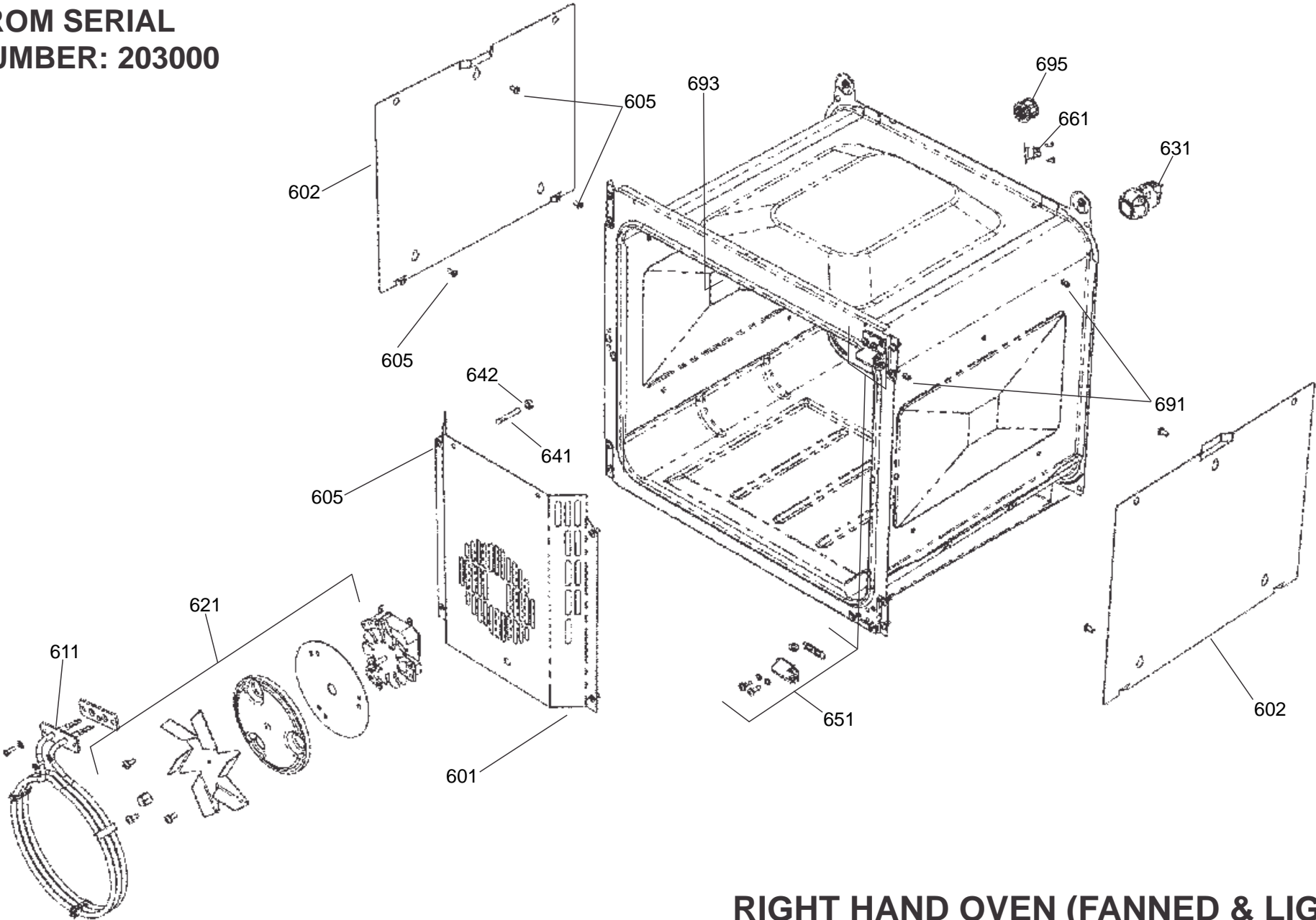
PROFESSIONAL PLUS 110 INDUCTION

DATE: 16.04.2019

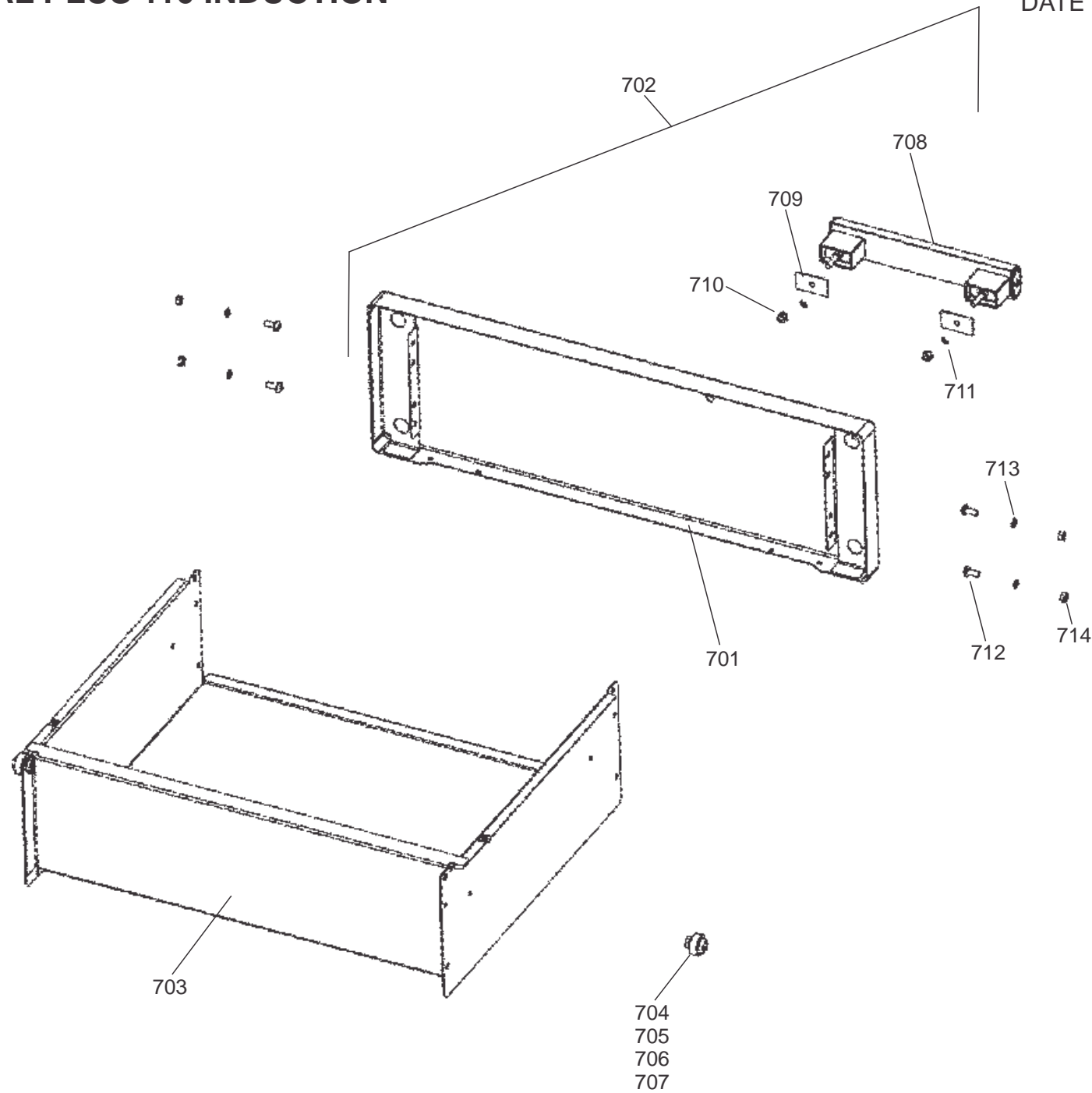
DSL0772 P06

ISSUE STATUS 01

**FROM SERIAL
NUMBER: 203000**



RIGHT HAND OVEN (FANNED & LIGHT)

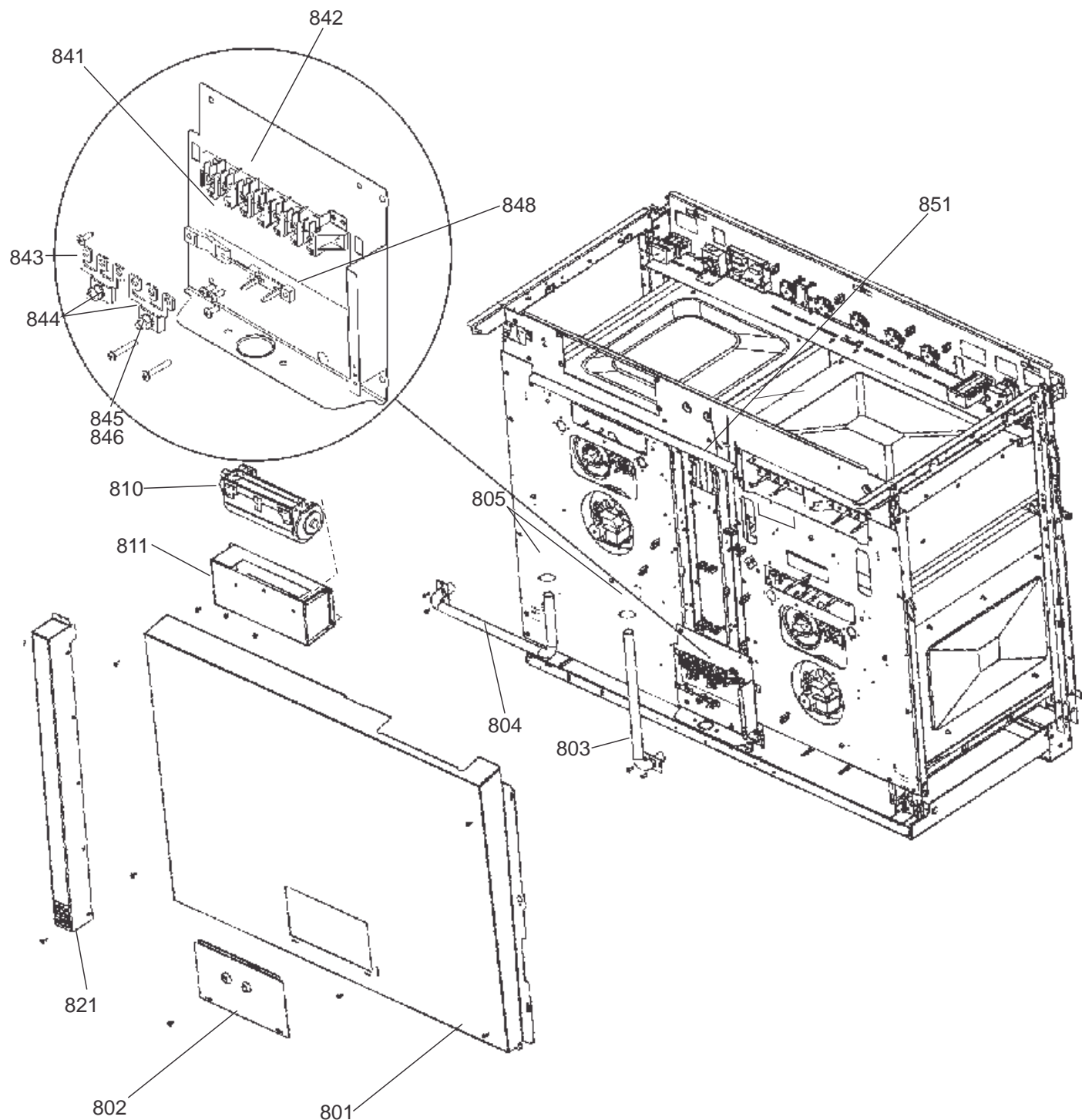


**PROFESSIONAL PLUS 110 INDUCTION
FROM SERIAL
NUMBER: 203000**

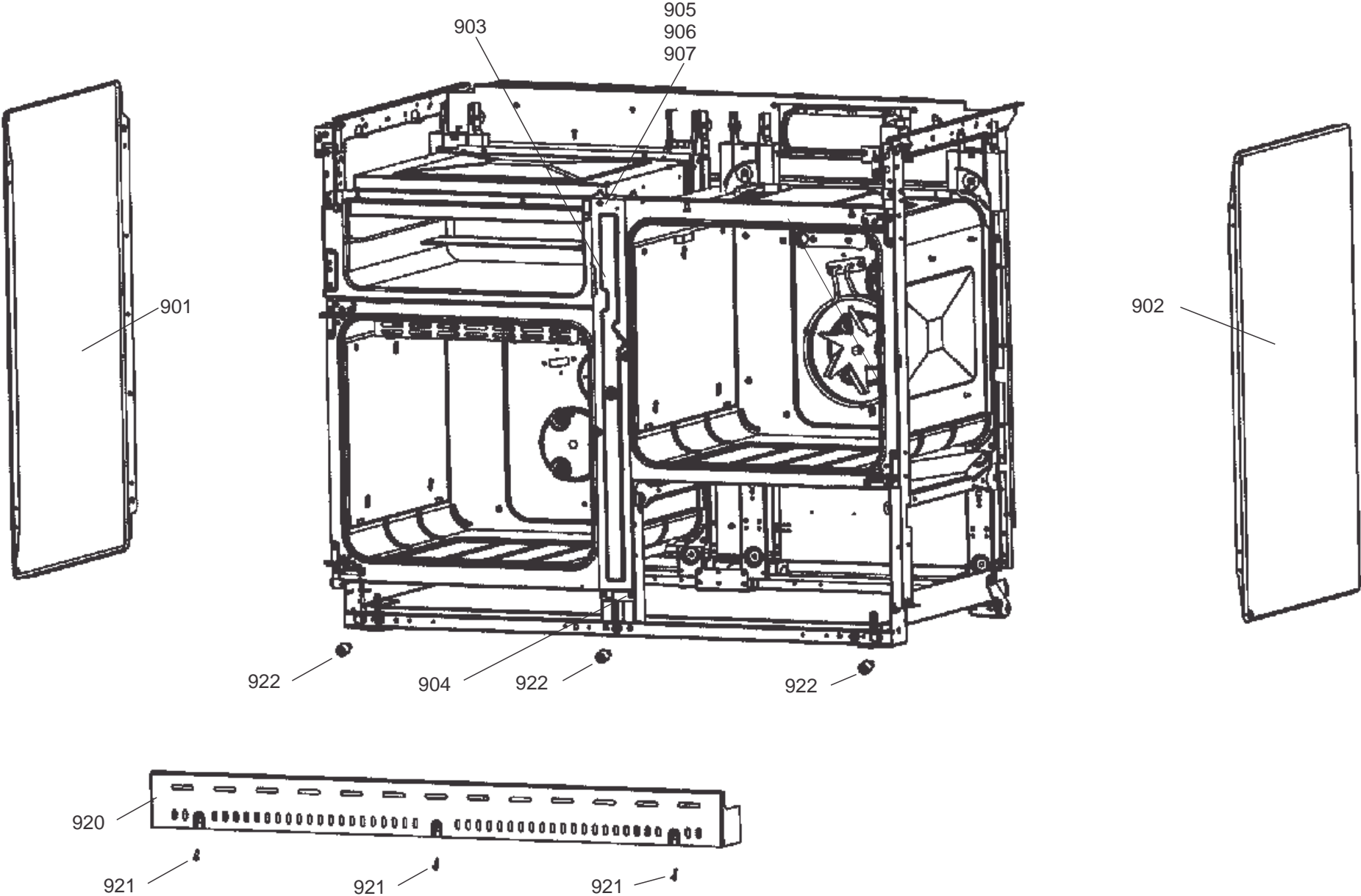
DSL0772 P08

ISSUE:01

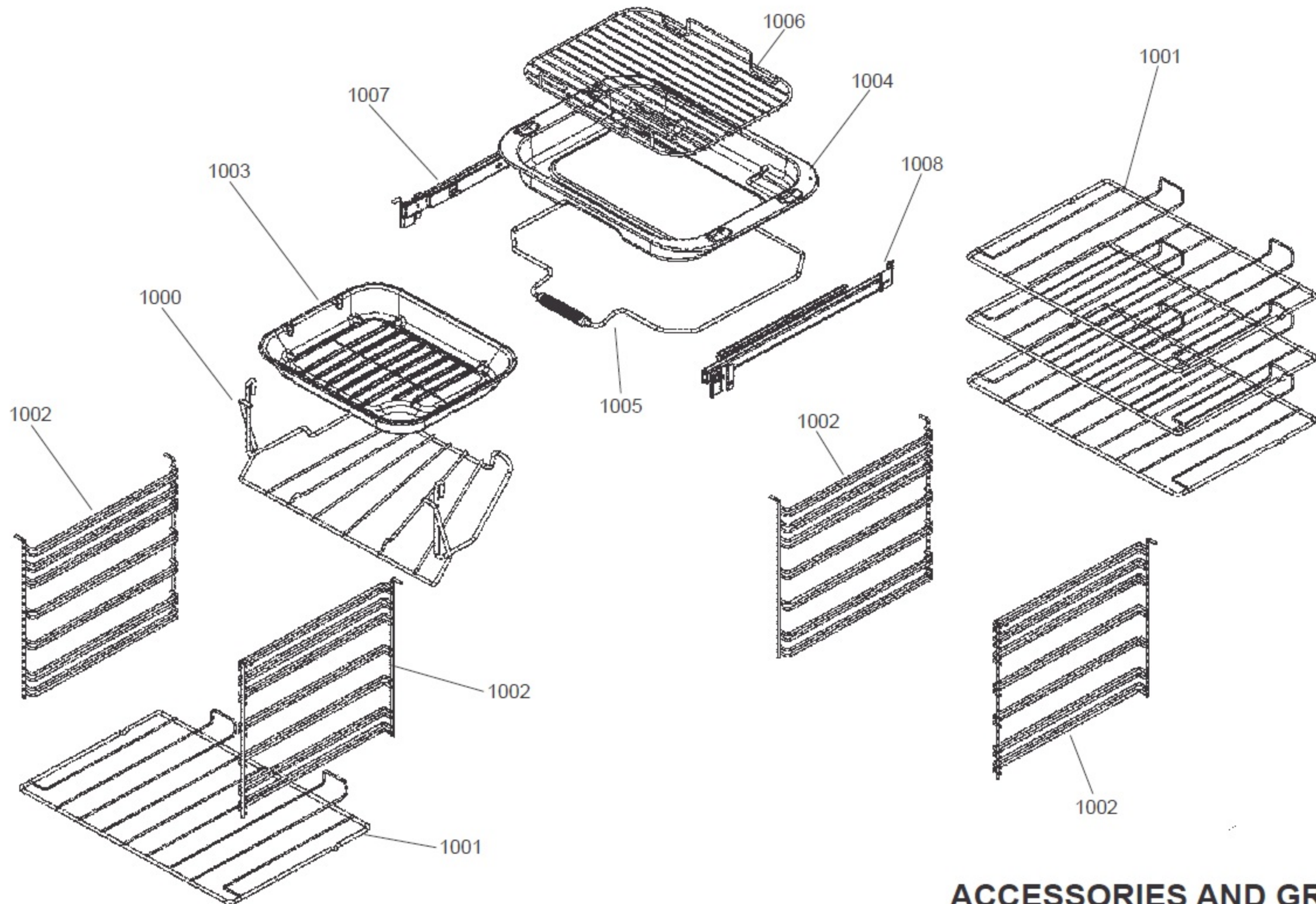
DATE: 08.08.18



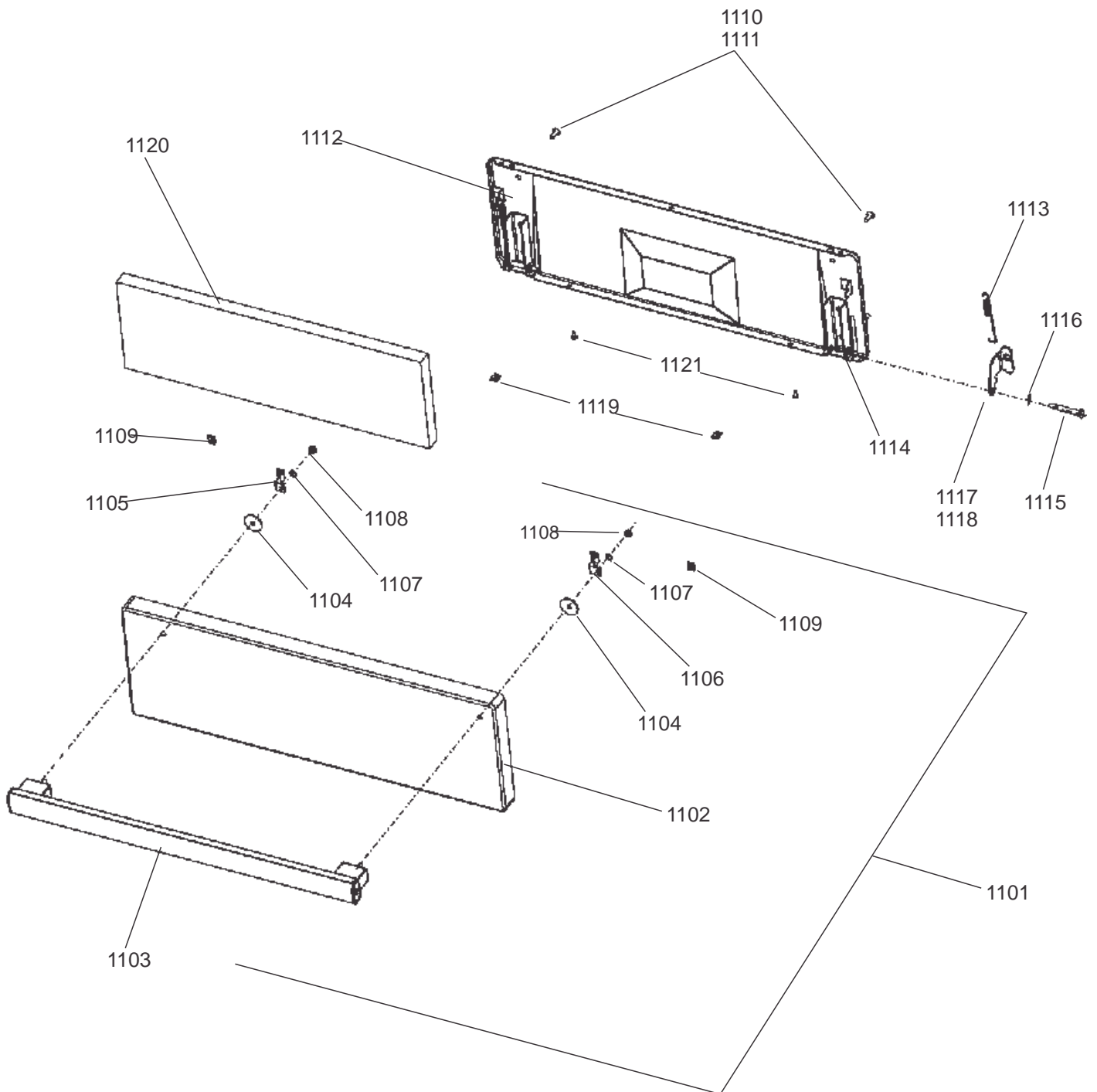
COOKER BACK AND ELECTRICAL



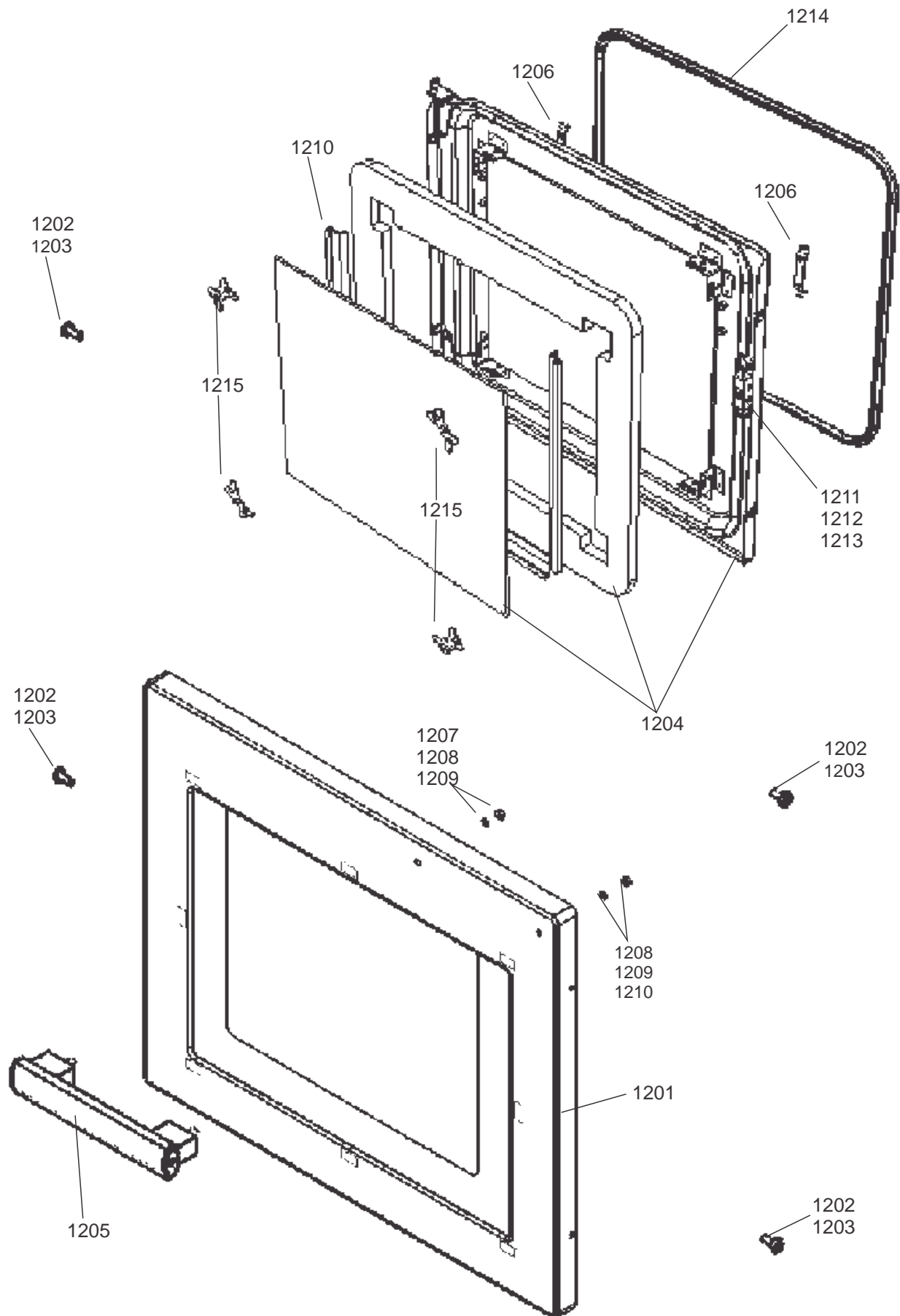
CHASSIS AND FRAME ASSEMBLY



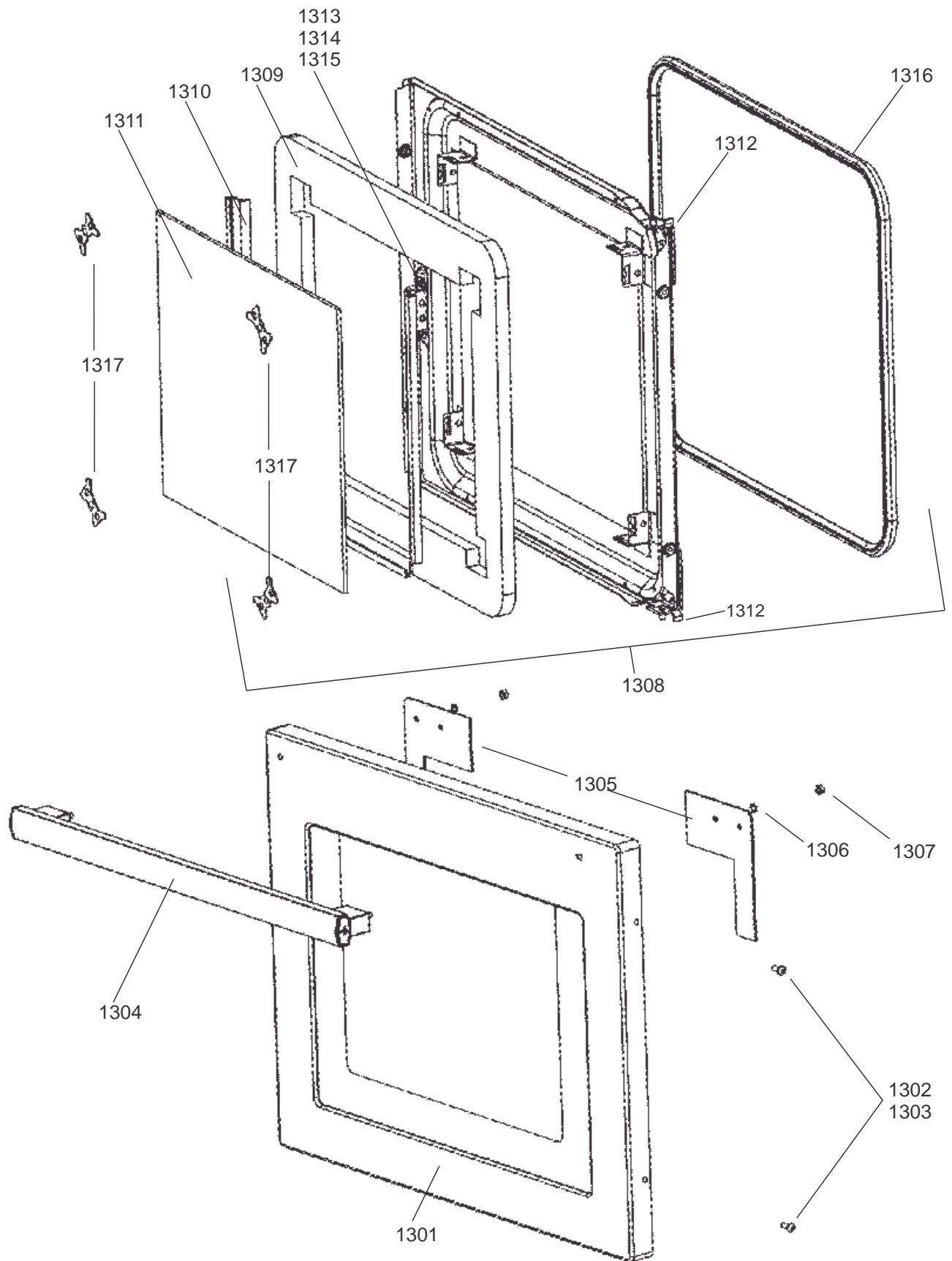
ACCESSORIES AND GRILL PAN

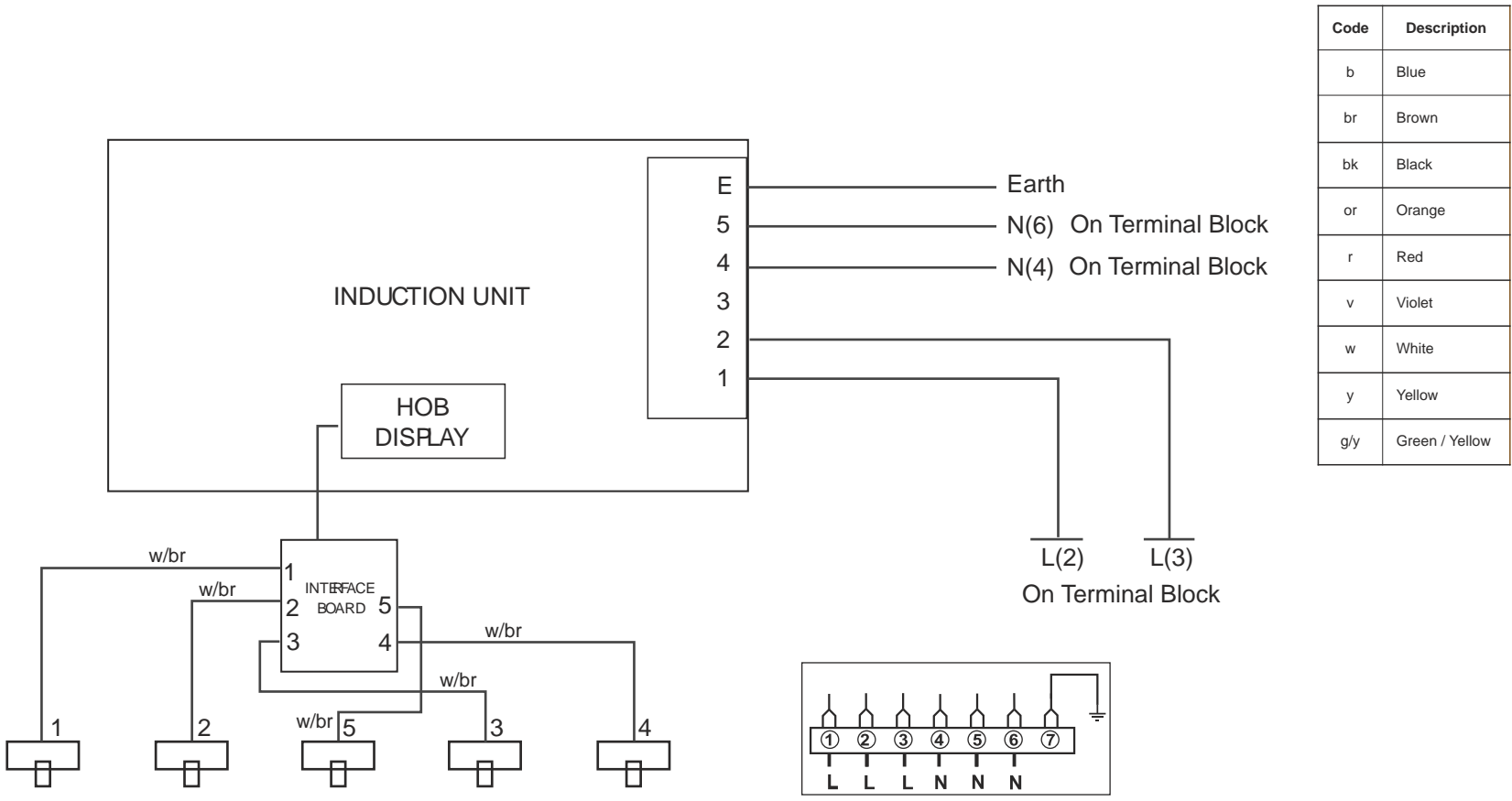


GRILL DOOR



LH OVEN DOOR



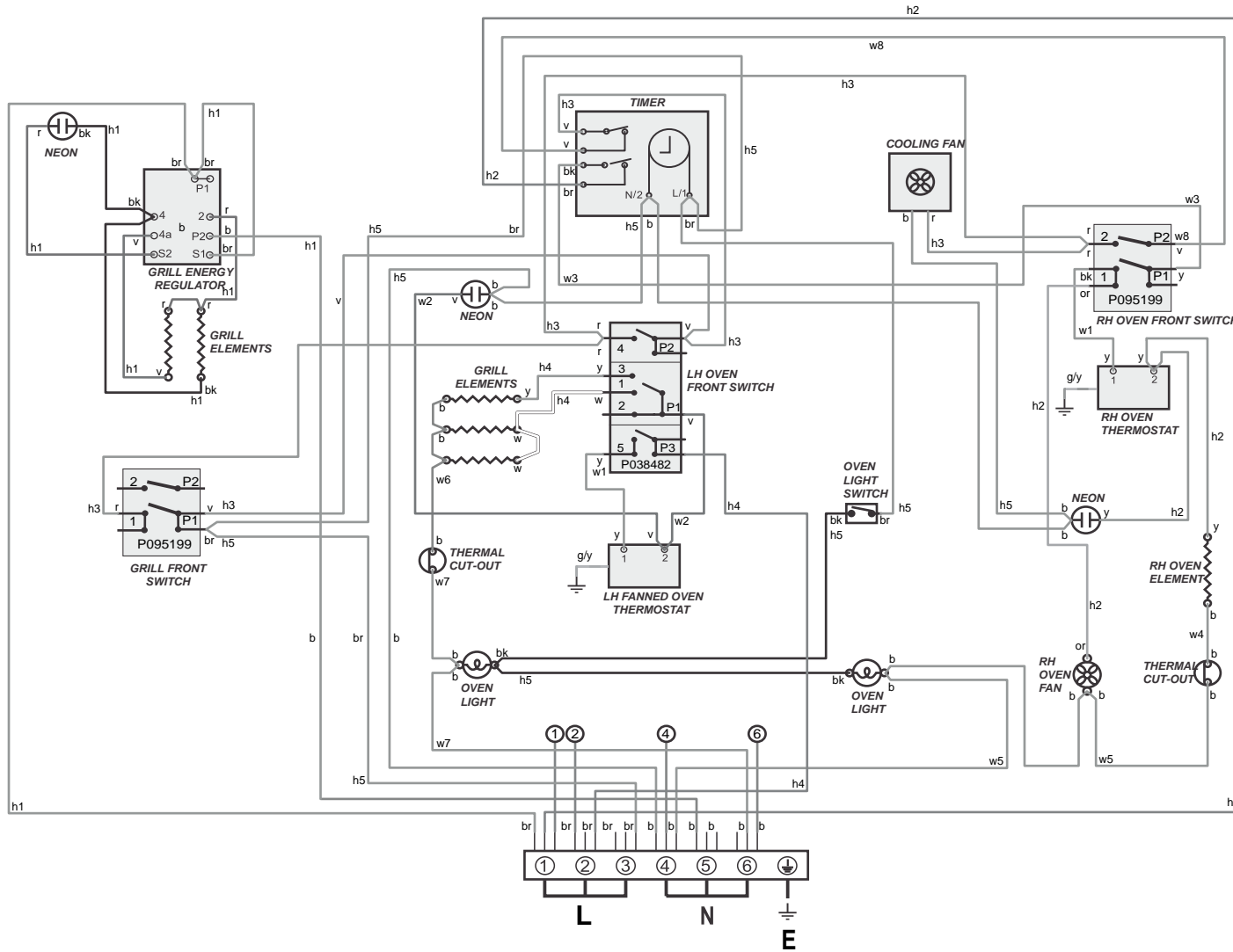


PROFESSIONAL PLUS 110 INDUCTION

DSL0772 P15

DATE 16.04.2019

ISSUE:01



Code	Description
b	Blue
br	Brown
bk	Black
or	Orange
r	Red
v	Violet
w	White
y	Yellow
g/y	Green / Yellow

WIRING DIAGRAM