

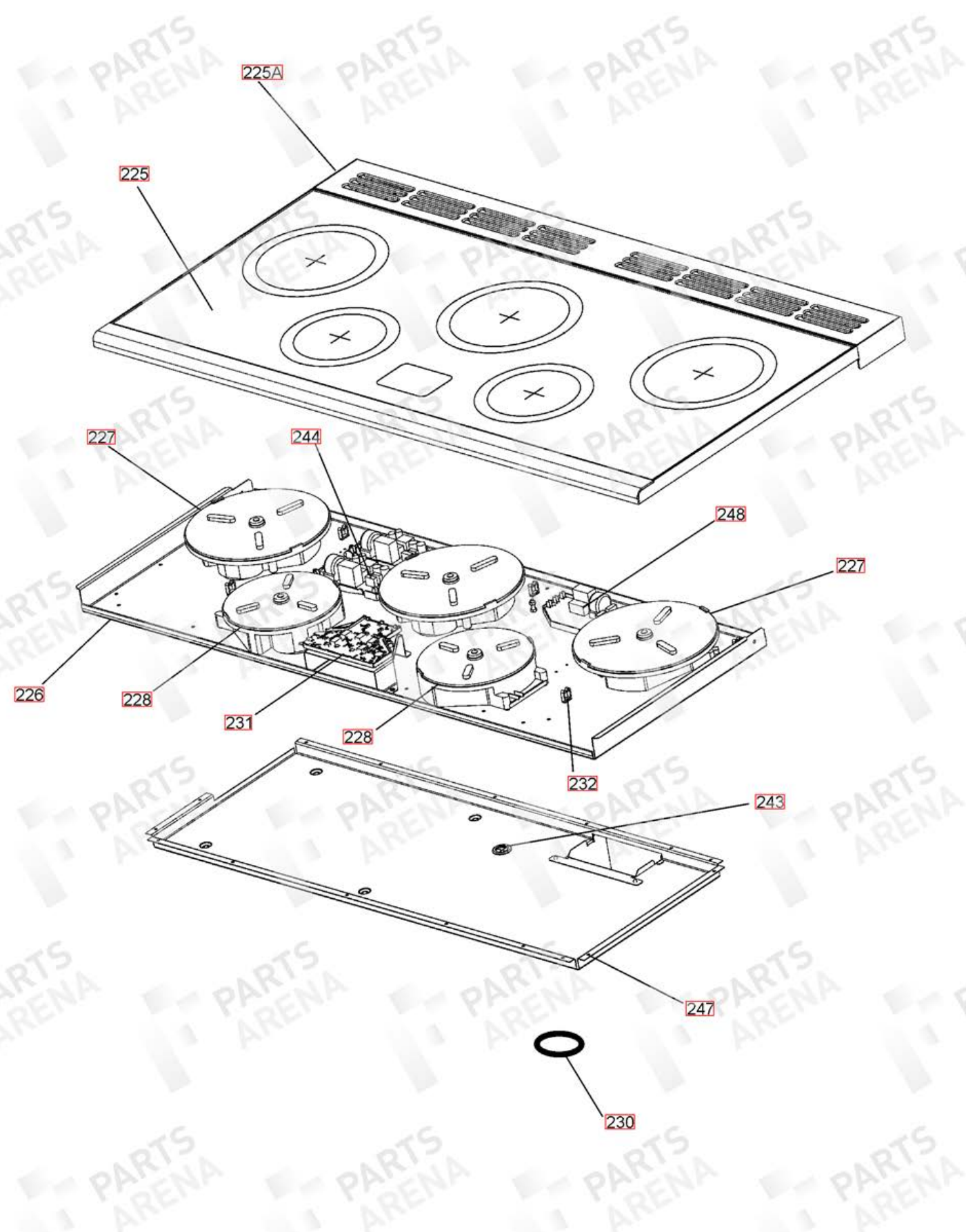
**PROFESSIONAL PLUS 110
INDUCTION**

DATE 10.02.10

DSL0397 P01

ISSUE STATUS 02

UP TO SERIAL NUMBER 149999



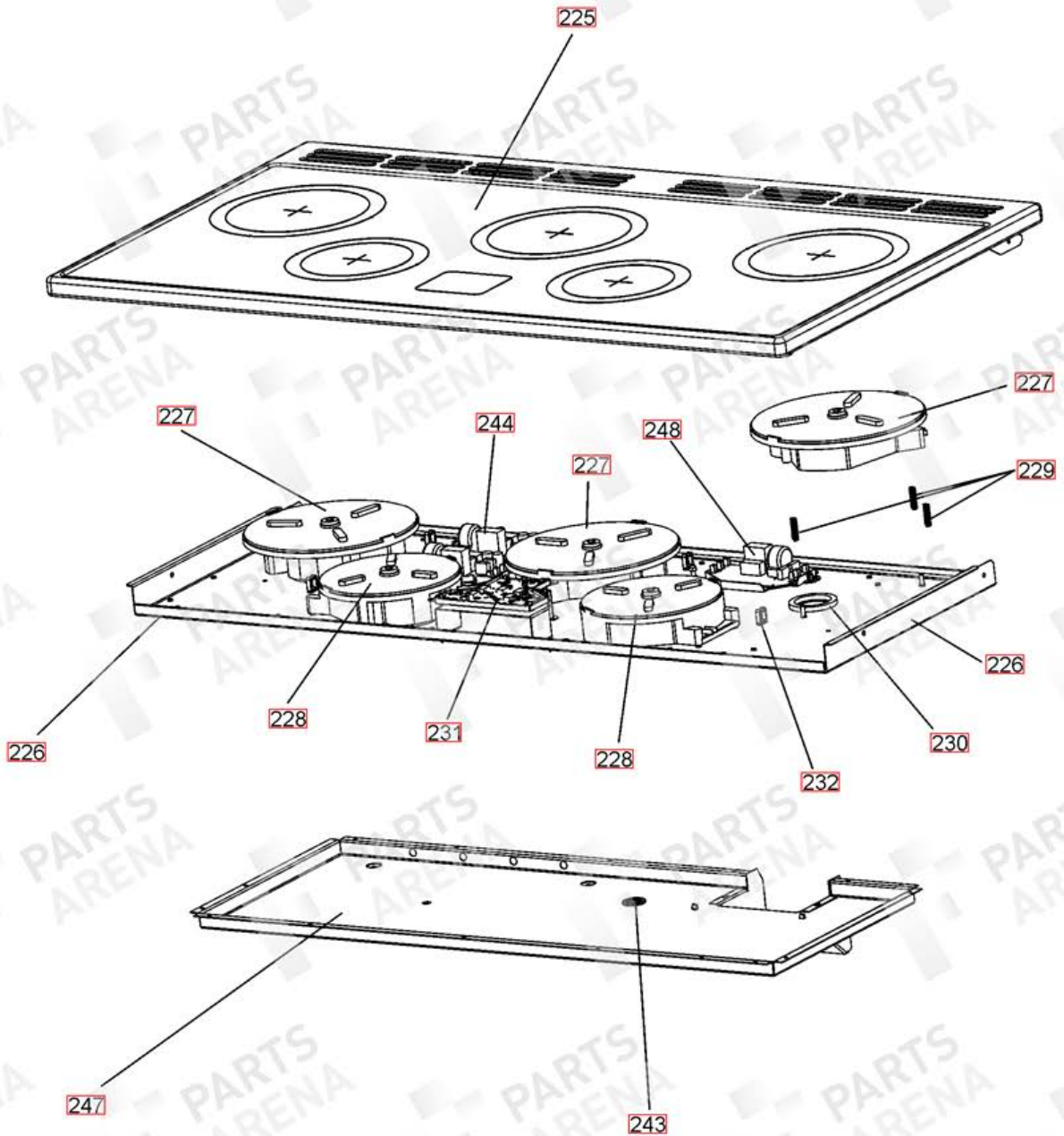
**PROFESSIONAL PLUS 110
INDUCTION**

FROM SERIAL NUMBER 150000
UP TO SERIAL NUMBER 157999
UK & EU
AUSTRALIA

DATE 24.01.13

DSL0397 P01A

ISSUE STATUS 03



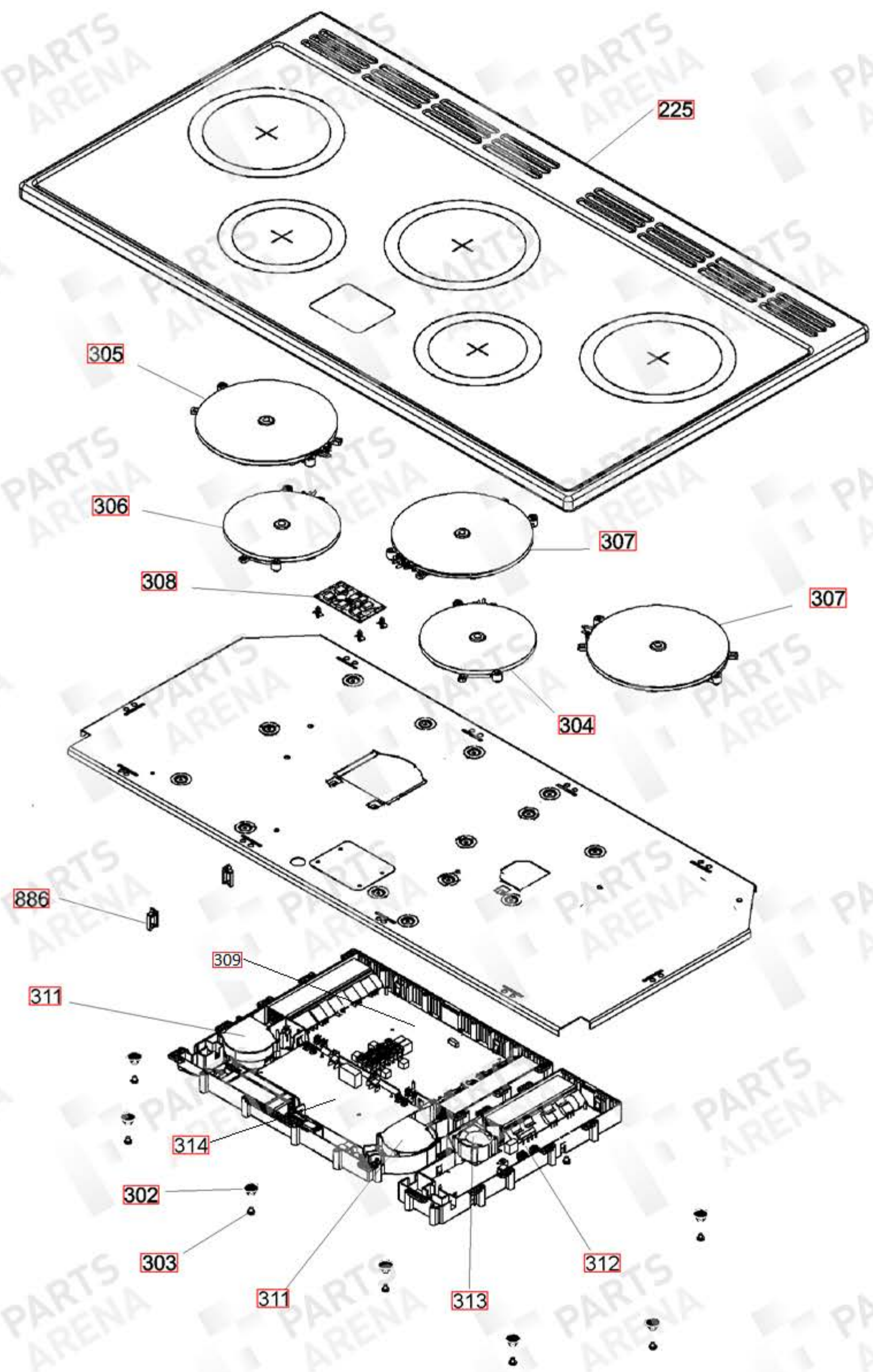
PROFESSIONAL PLUS 110 INDUCTION (G5)

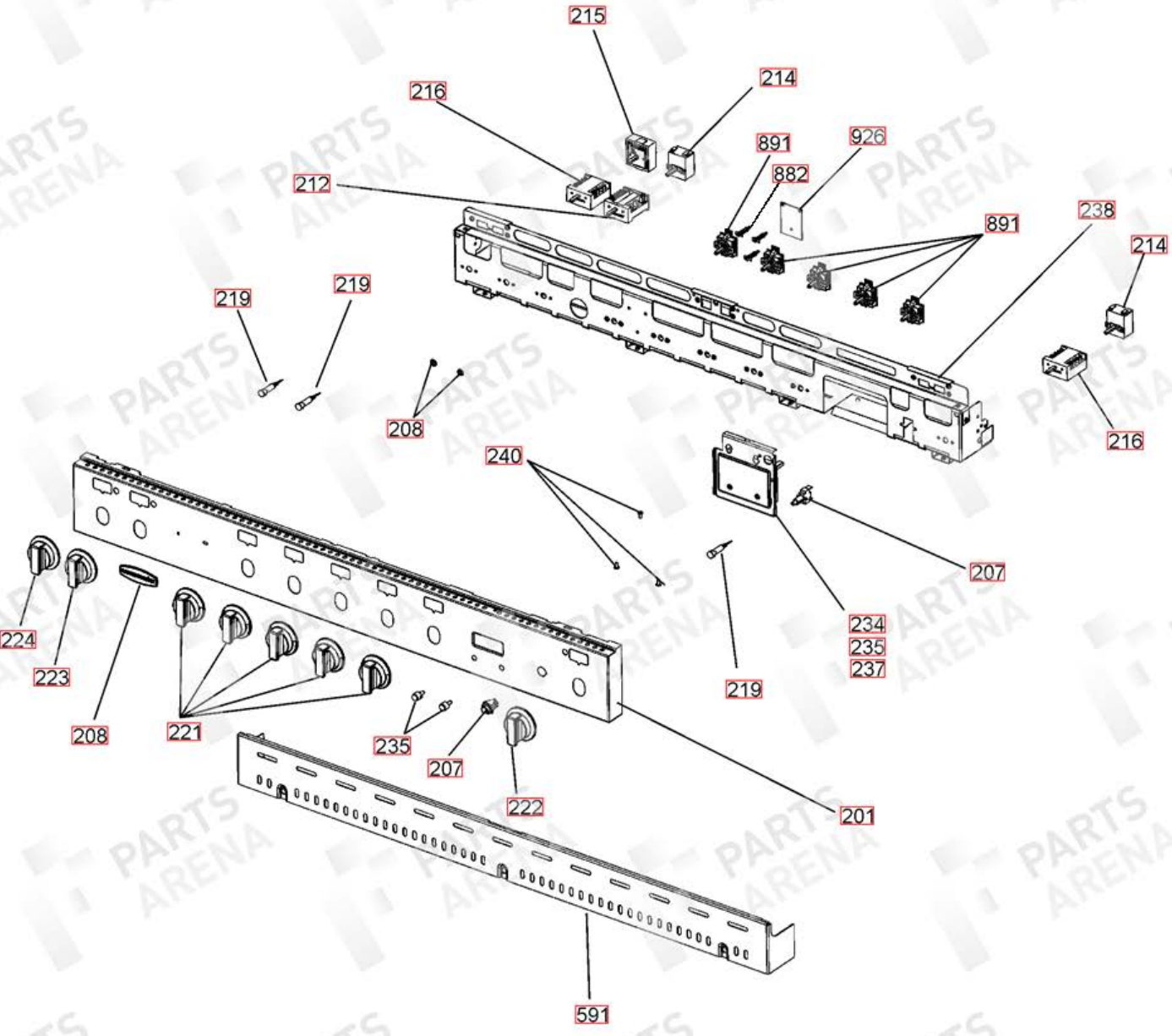
DATE 24.01.13

DSL0397 P01B

ISSUE STATUS 01

FROM SERIAL NUMBER 158000
UK & EU MODELS ONLY





**PROFESSIONAL PLUS 110
INDUCTION**

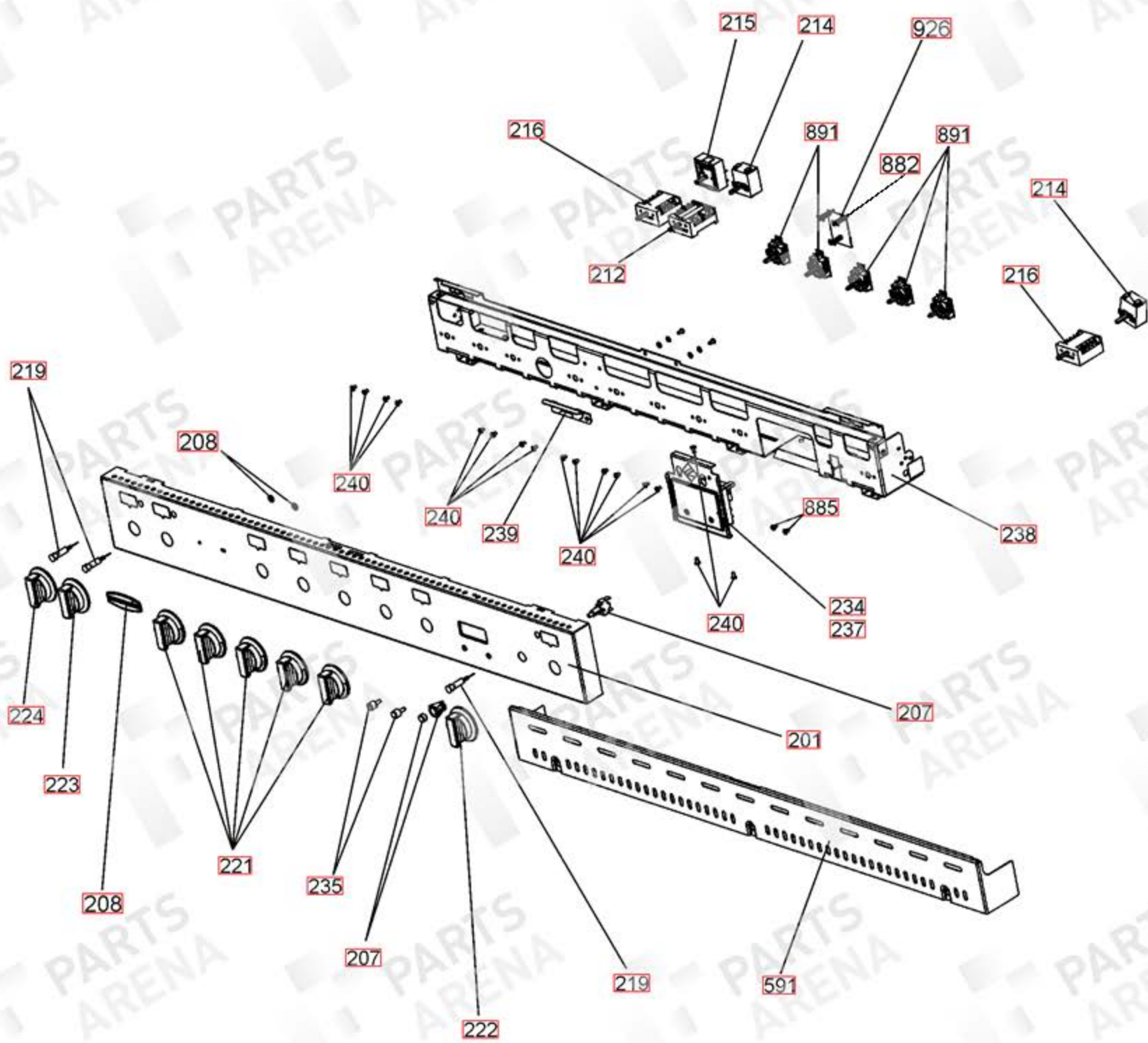
DATE 24.01.13

DSL0397 P02A

ISSUE STATUS 02

FROM SERIAL NUMBER 150000
UP TO SERIAL NUMBER 157999

UK & EU
AUSTRALIA



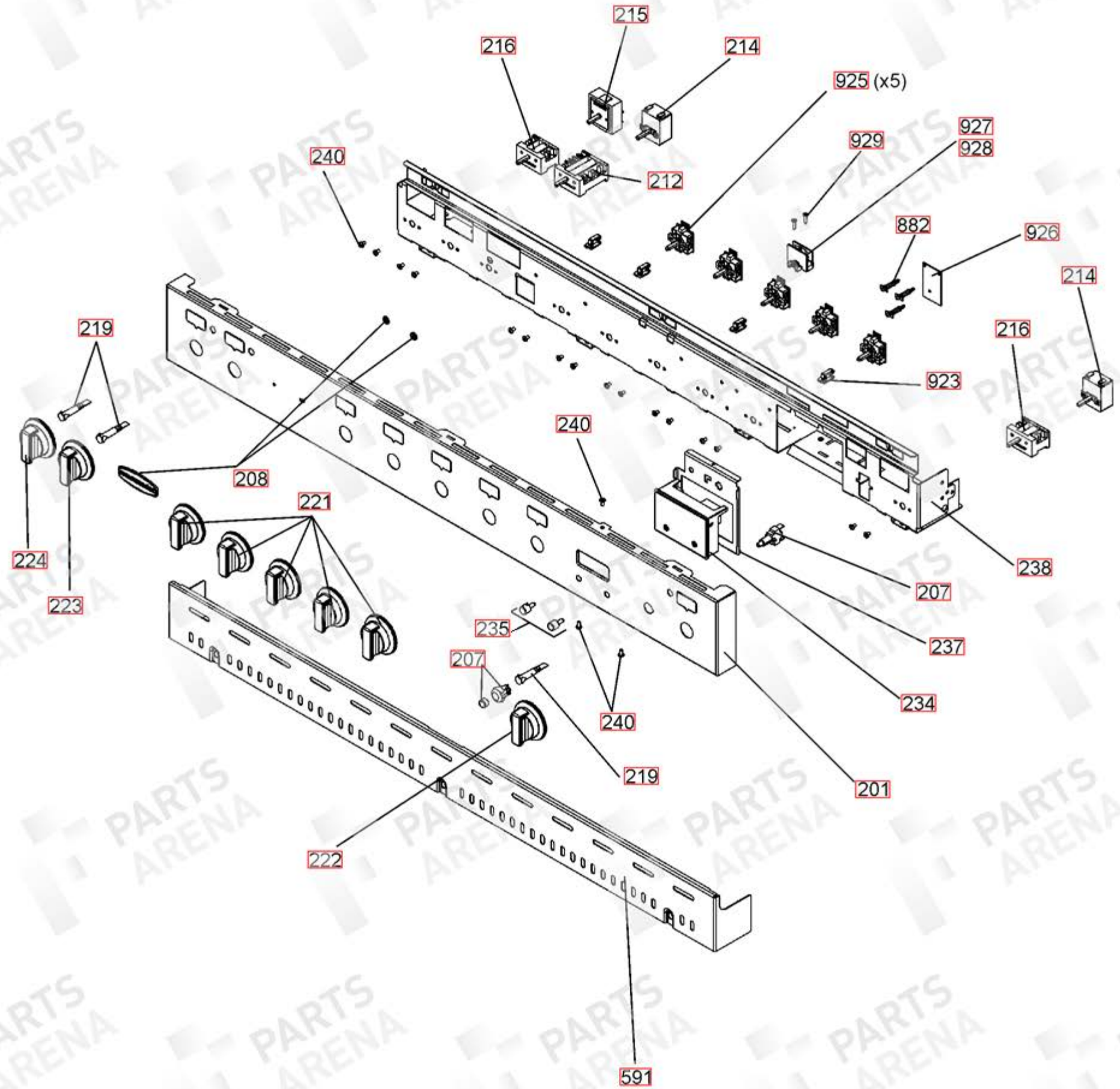
PROFESSIONAL PLUS 110 INDUCTION

FROM SERIAL NUMBER 158000
UK & EU MODELS ONLY

DATE 24.01.13

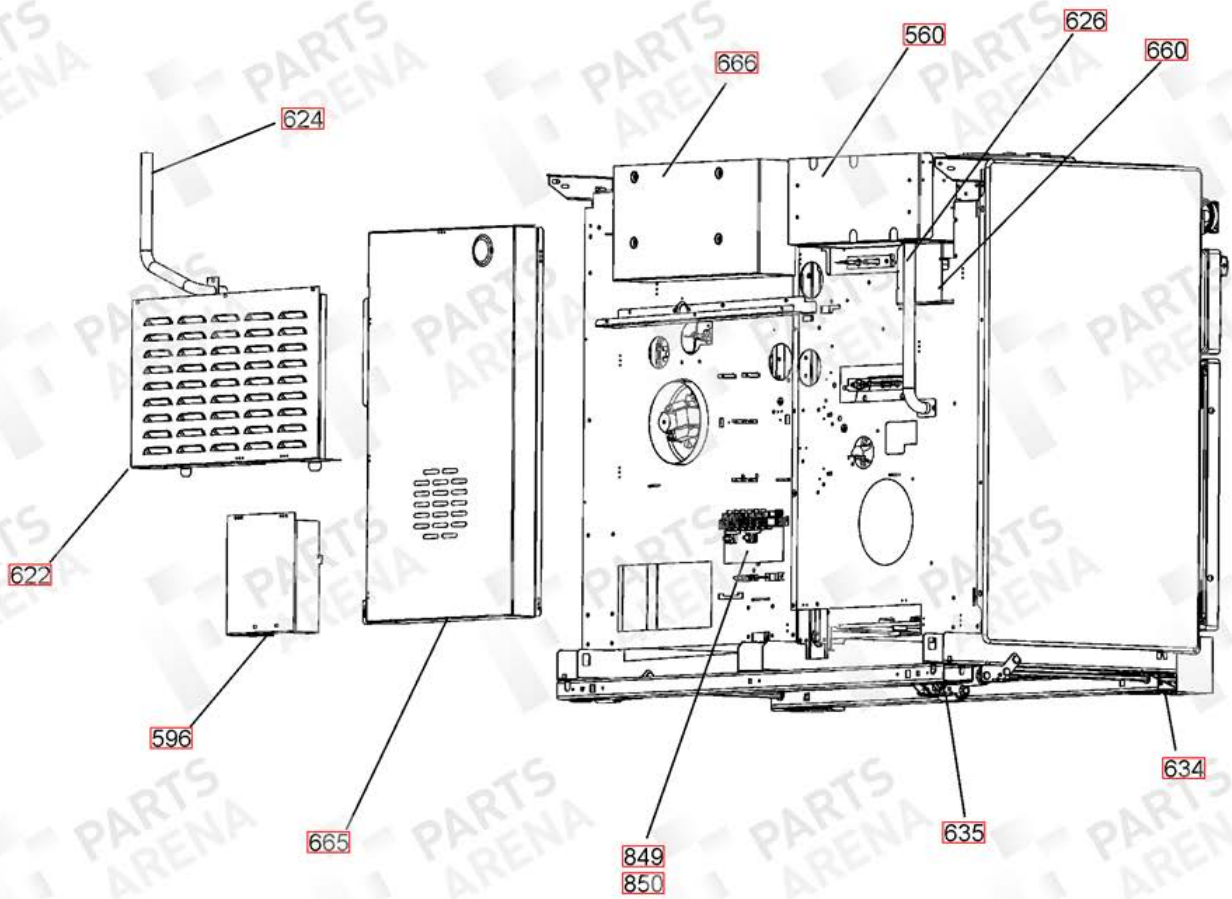
DSL0397 P02B

ISSUE STATUS 01



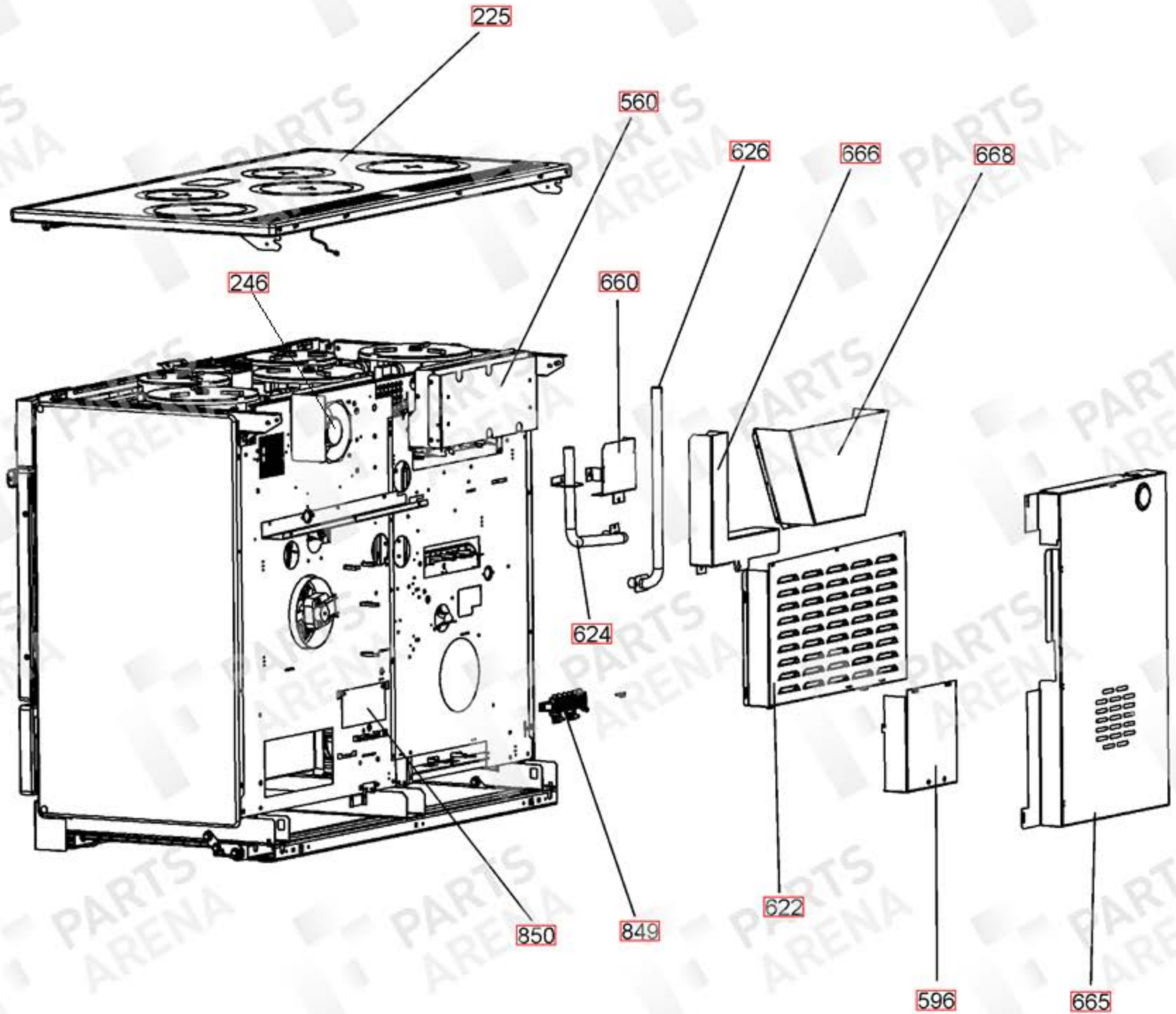
UP TO SERIAL NUMBER 149999

DATE 18.10.13 ISSUE STATUS 03



FROM SERIAL NUMBER 150000
UP TO SERIAL NUMBER 157999

DATE 24.01.13 ISSUE STATUS 003



PROFESSIONAL PLUS 110 INDUCTION G5

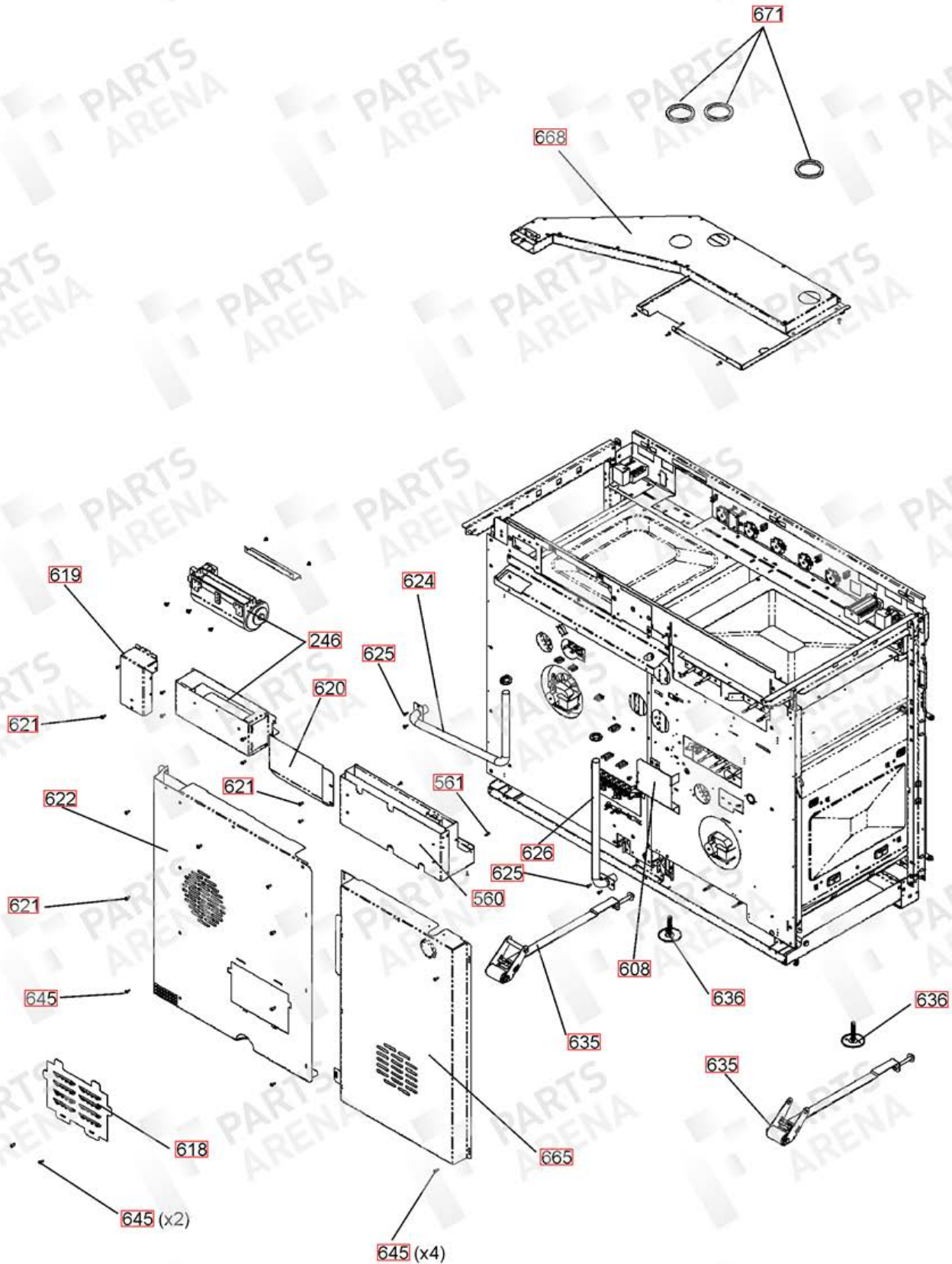
DATE 18.10.13

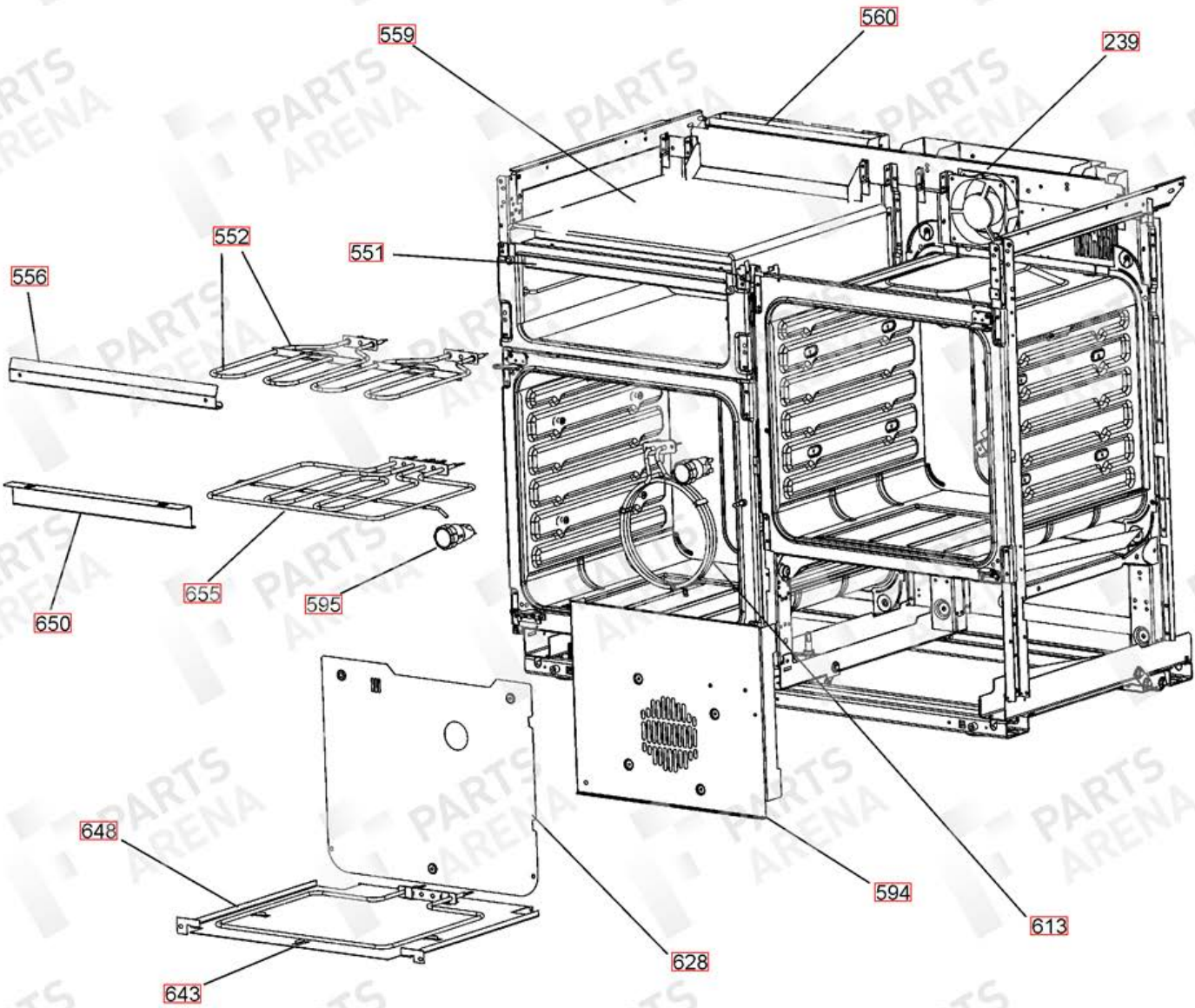
DSL0397 P03C

ISSUE STATUS 02

FROM SERIAL NUMBER 158000

UK & EU MODELS ONLY

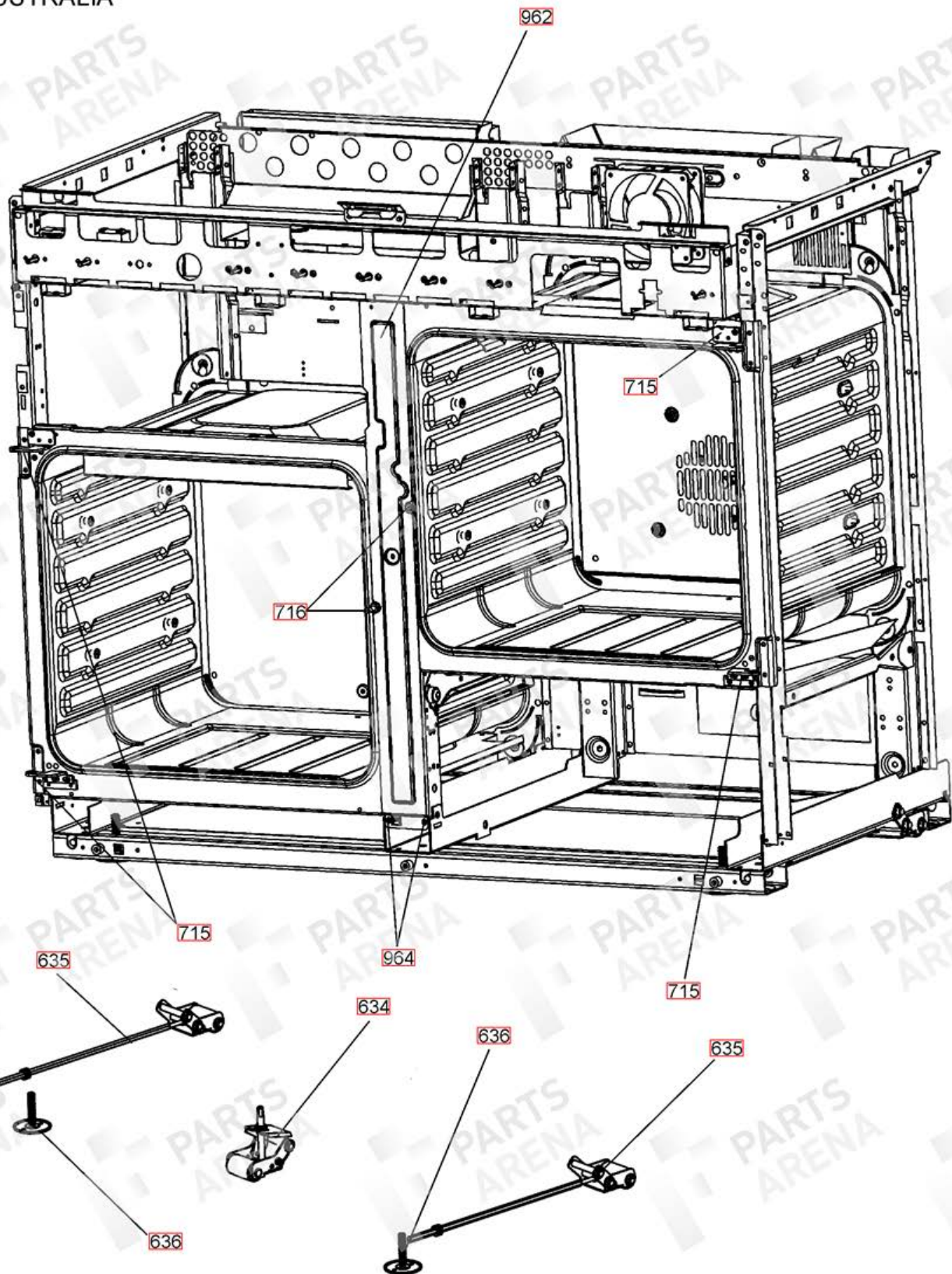




FROM SERIAL NUMBER 150000
UP TO SERIAL NUMBER 157999

DATE 24.01.13 ISSUE STATUS 002

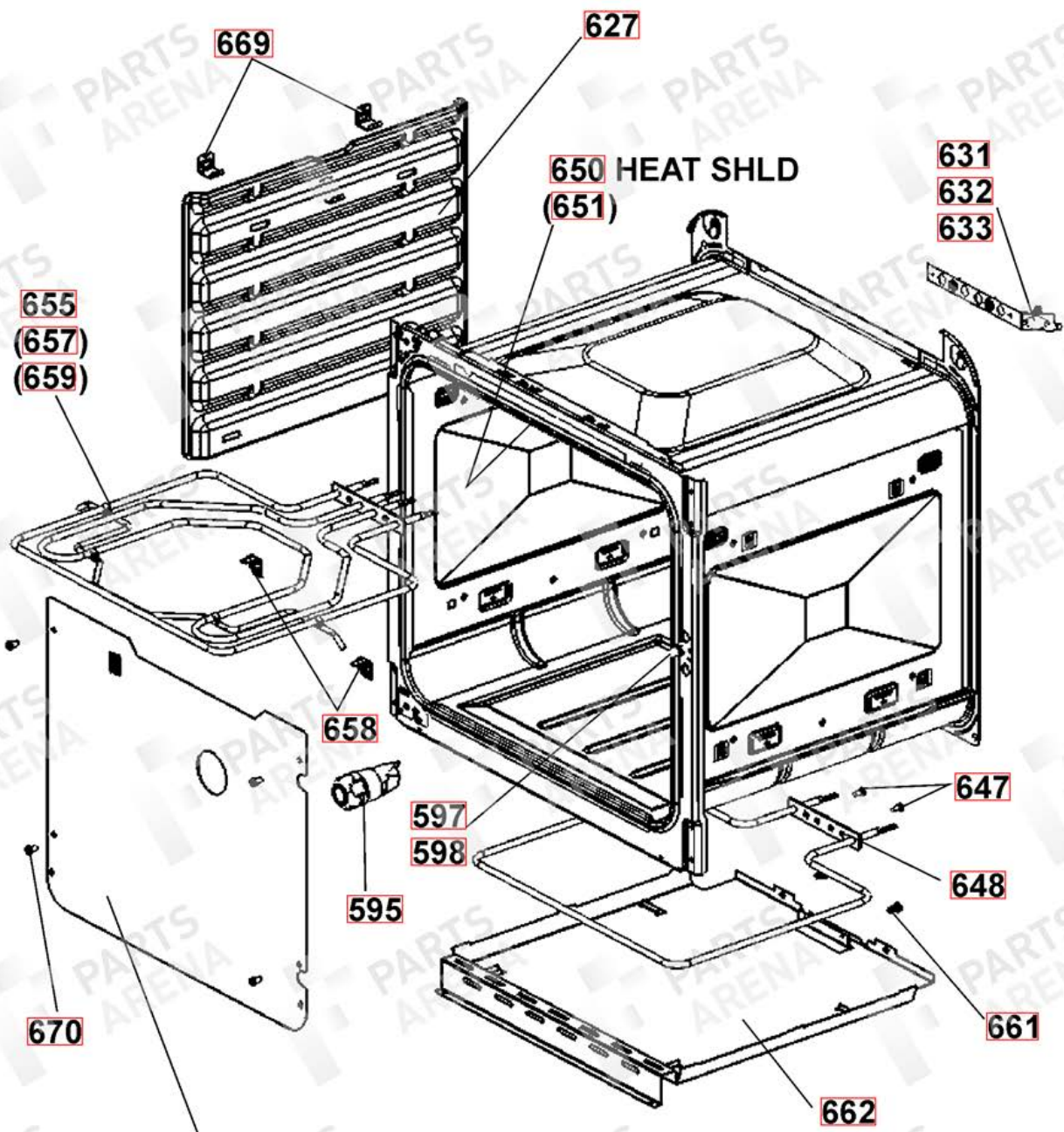
UK, EU
AUSTRALIA



PROFESSIONAL PLUS 110 INDUCTION

DSL0397 P04B

DATE 27.11.15 ISSUE STATUS 04



LH OVEN - ZONE + LIGHT

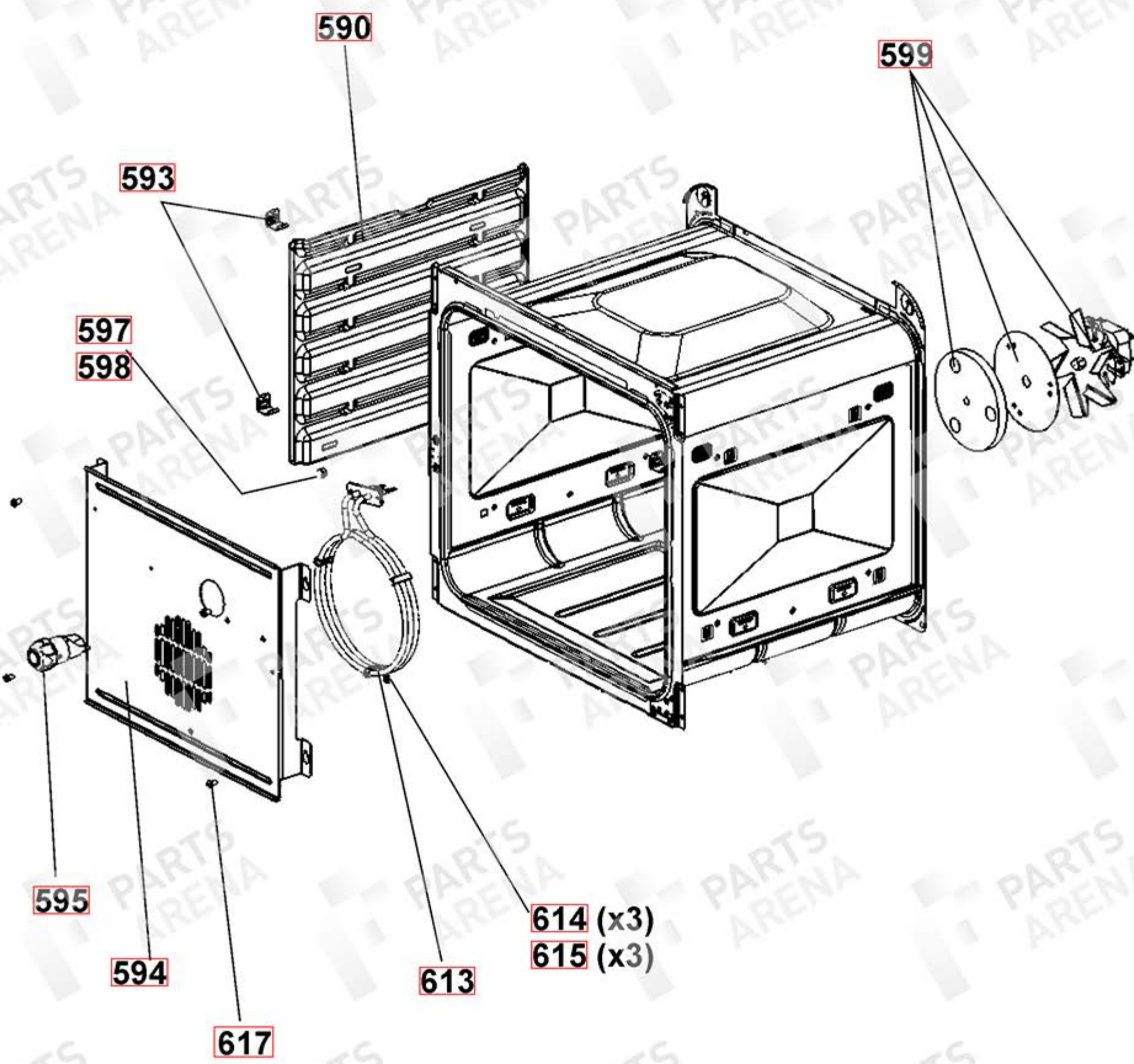
FROM SER No158000 UP TO SER No181999
UK & EU MODELS ONLY

FROM SER No167000 UP TO SER No181999
AUSTRALIAN MODELS ONLY

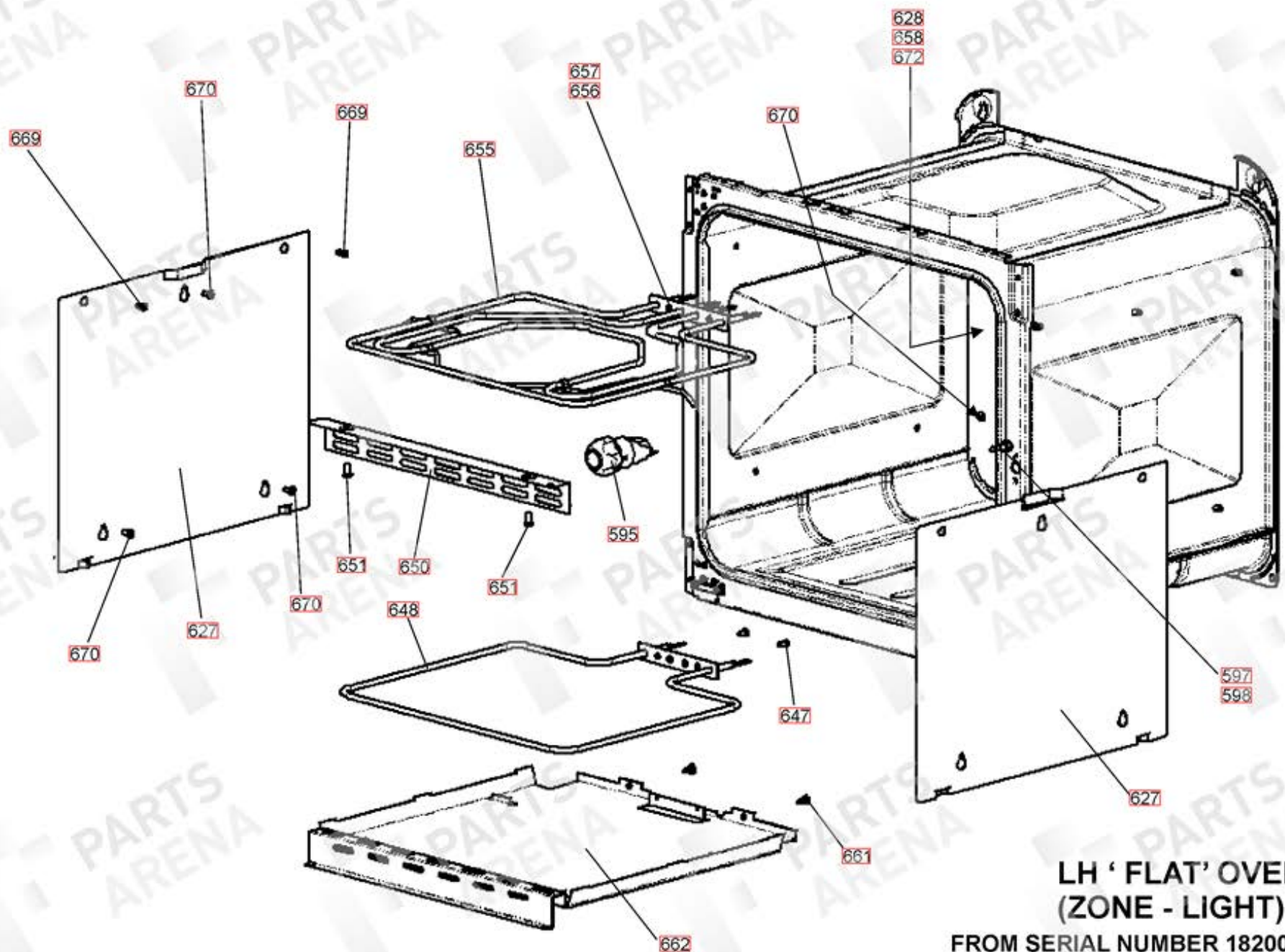
PROFESSIONAL PLUS 110 INDUCTION

DSL0397 P04C

DATE 26.11.15 ISSUE STATUS 02

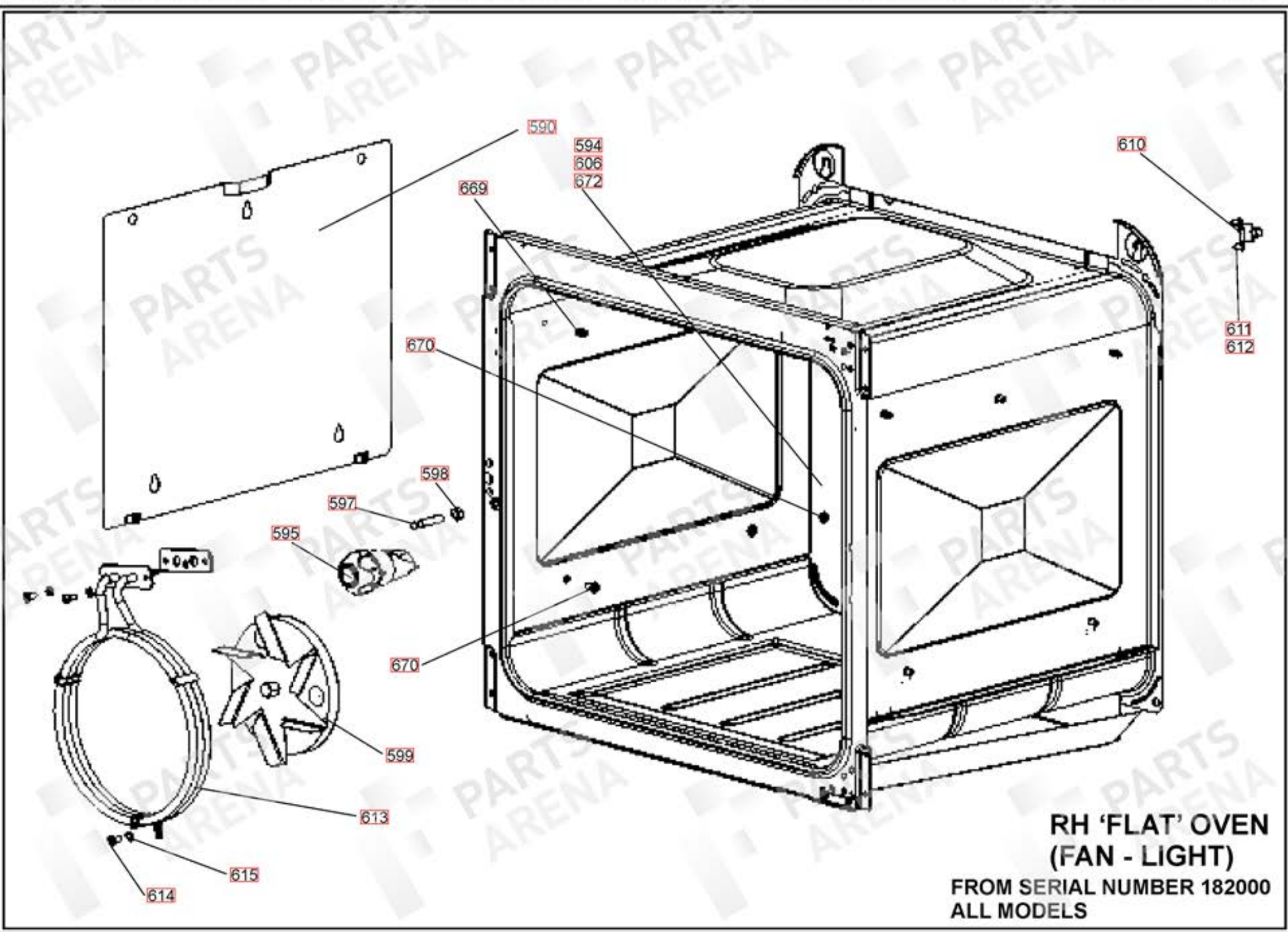


RH OVEN - FAN + LIGHT
FROM SER No158000 UP TO SER No 181999
UK & EU MODELS ONLY



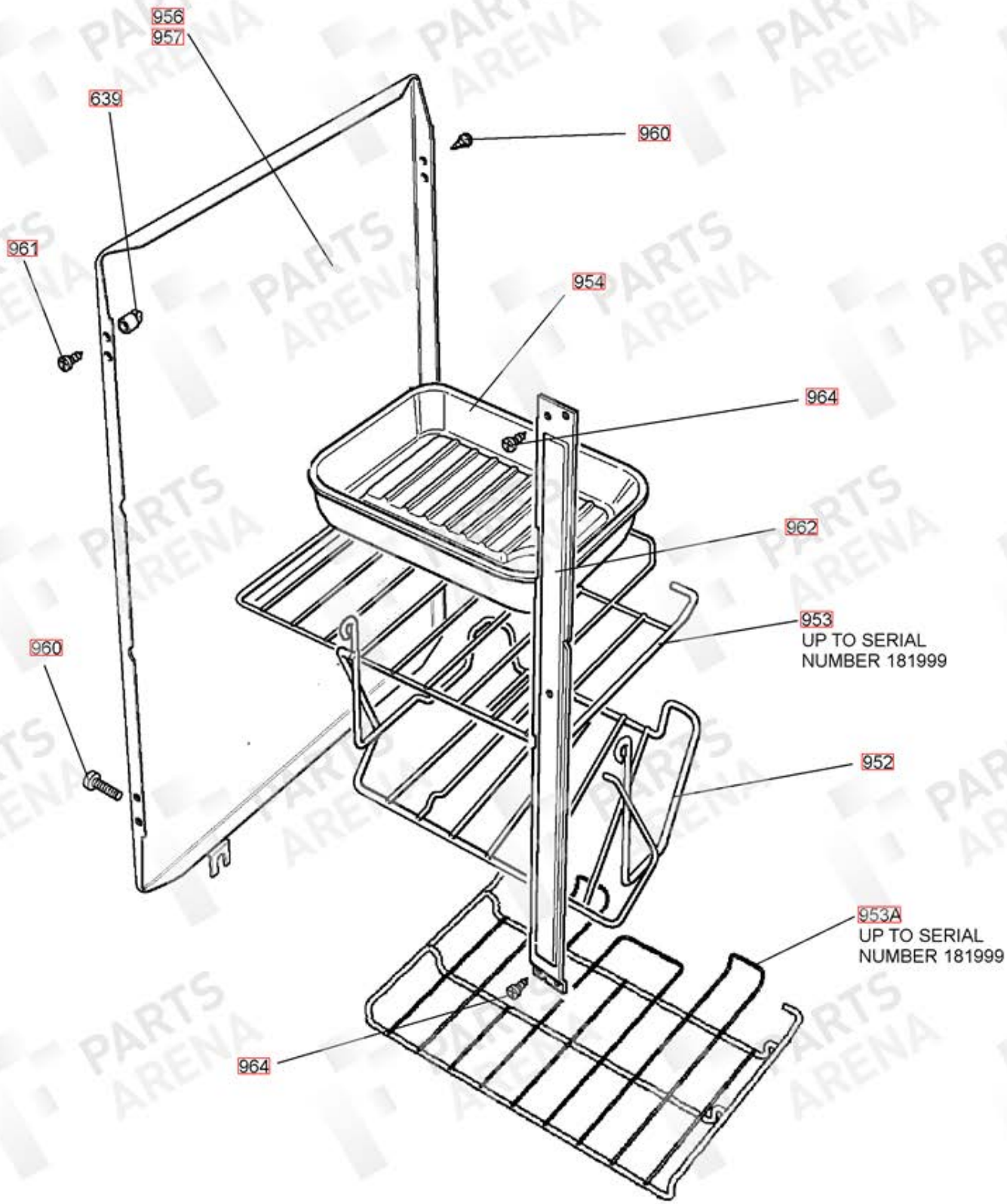
LH 'FLAT' OVEN
(ZONE - LIGHT)

FROM SERIAL NUMBER 182000
ALL MODELS

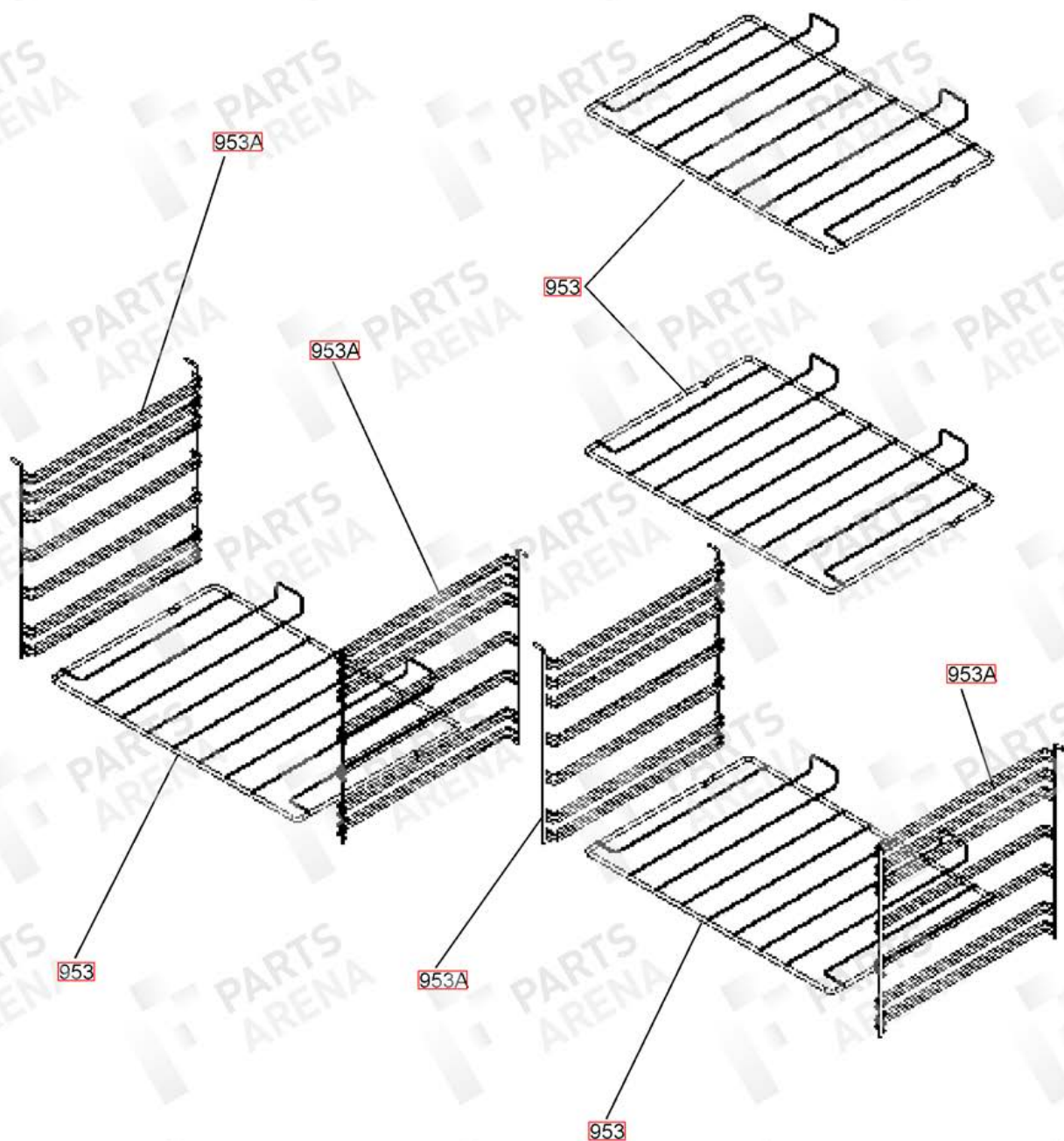


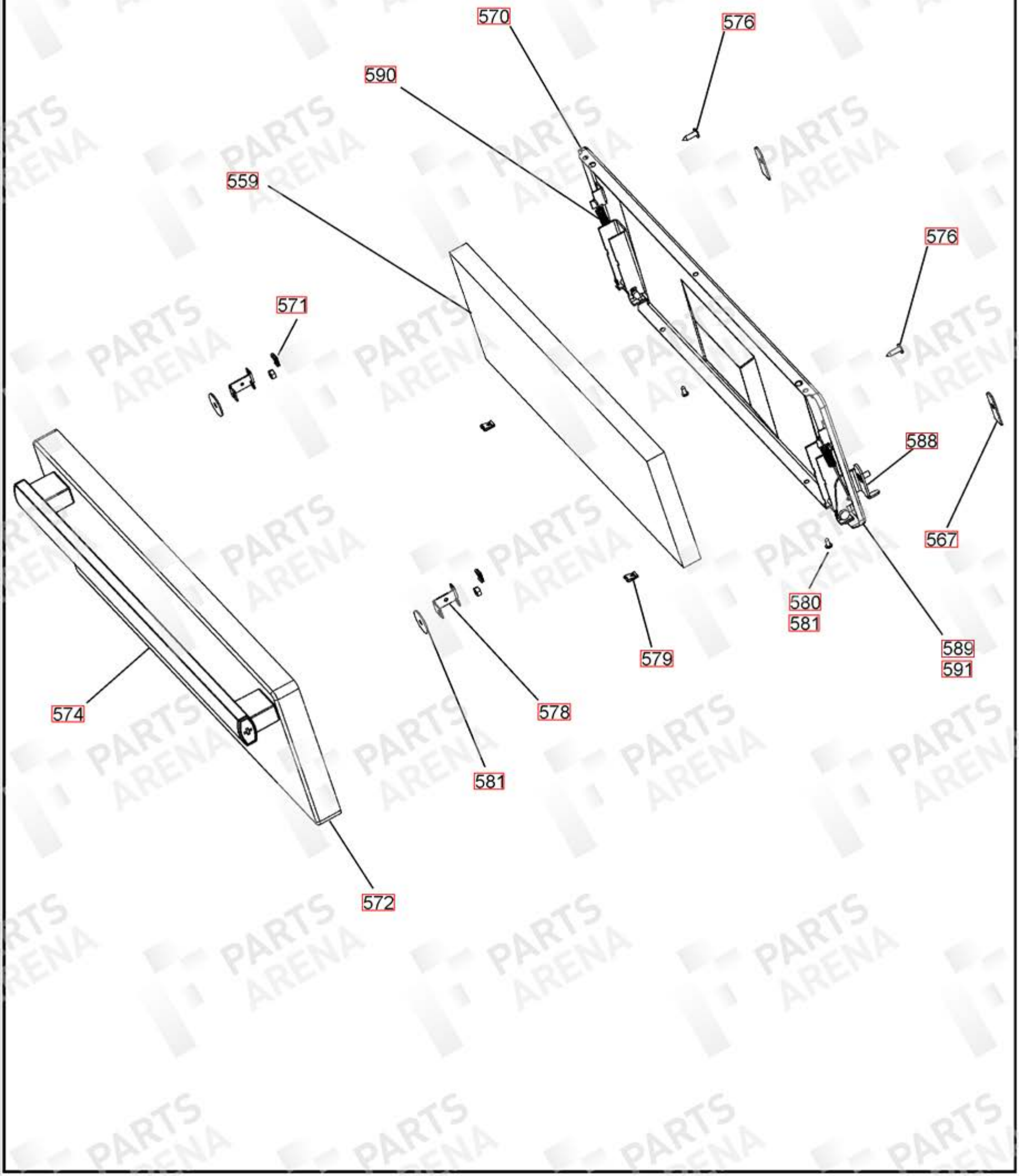
**RH 'FLAT' OVEN
(FAN - LIGHT)**

**FROM SERIAL NUMBER 182000
ALL MODELS**



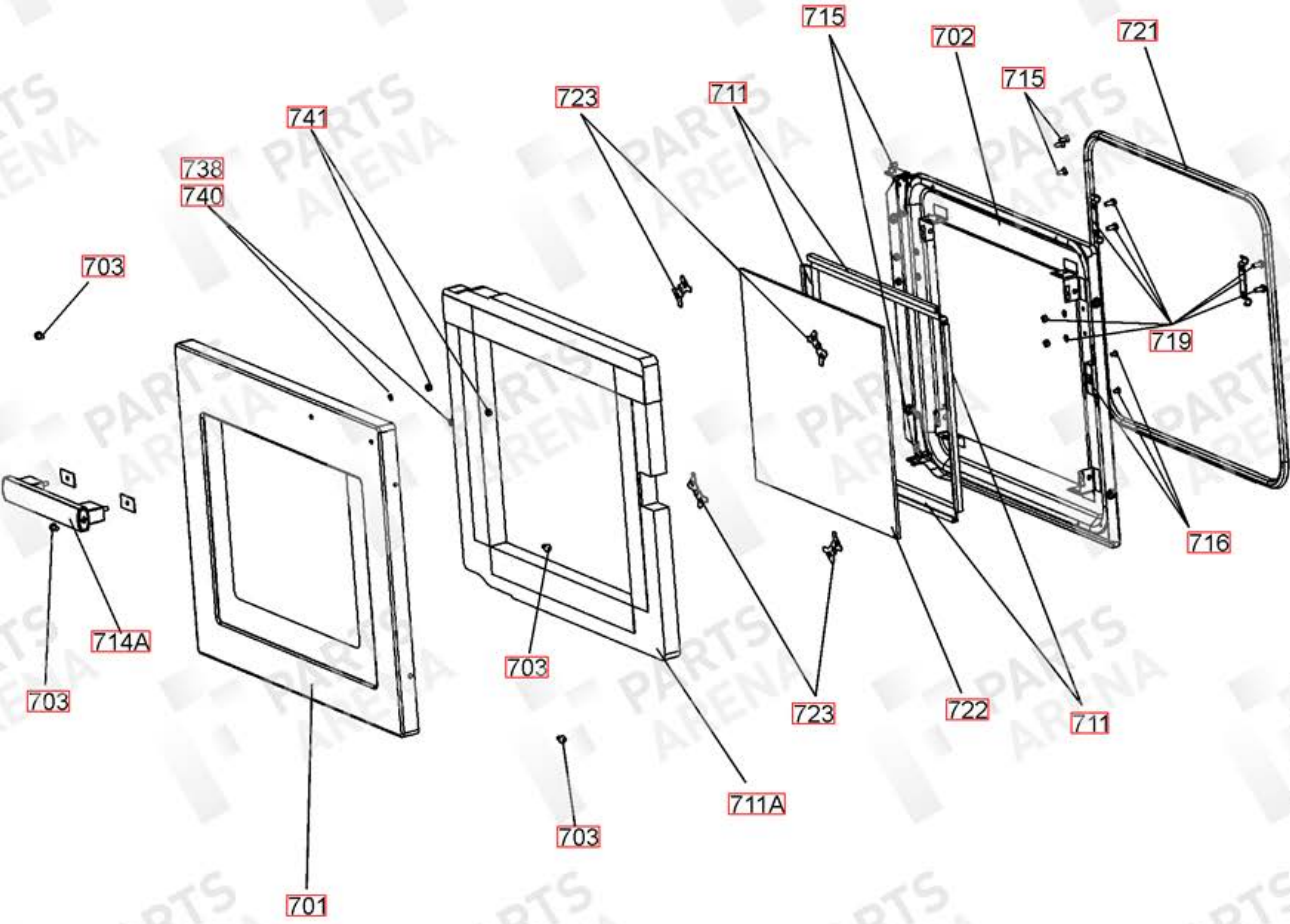
OVEN SHELVES
FROM SERIAL NUMBER 182000

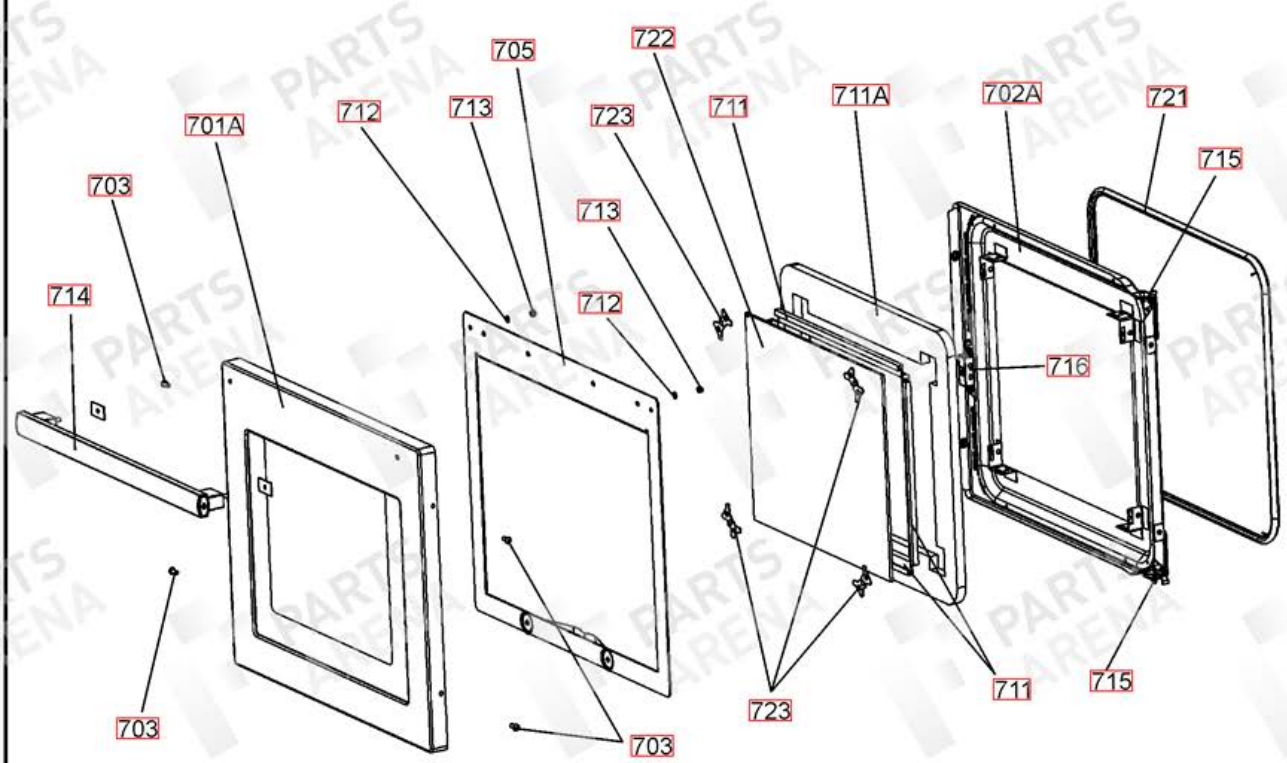


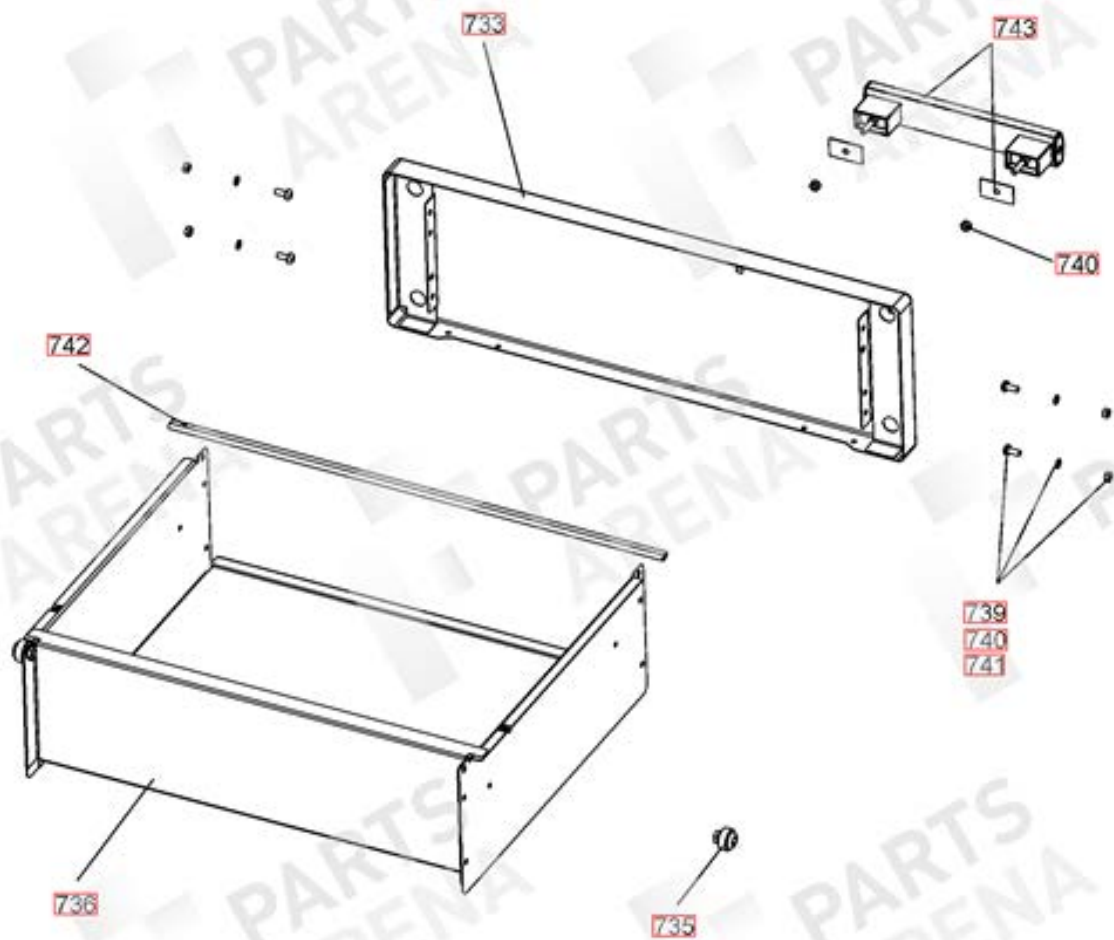


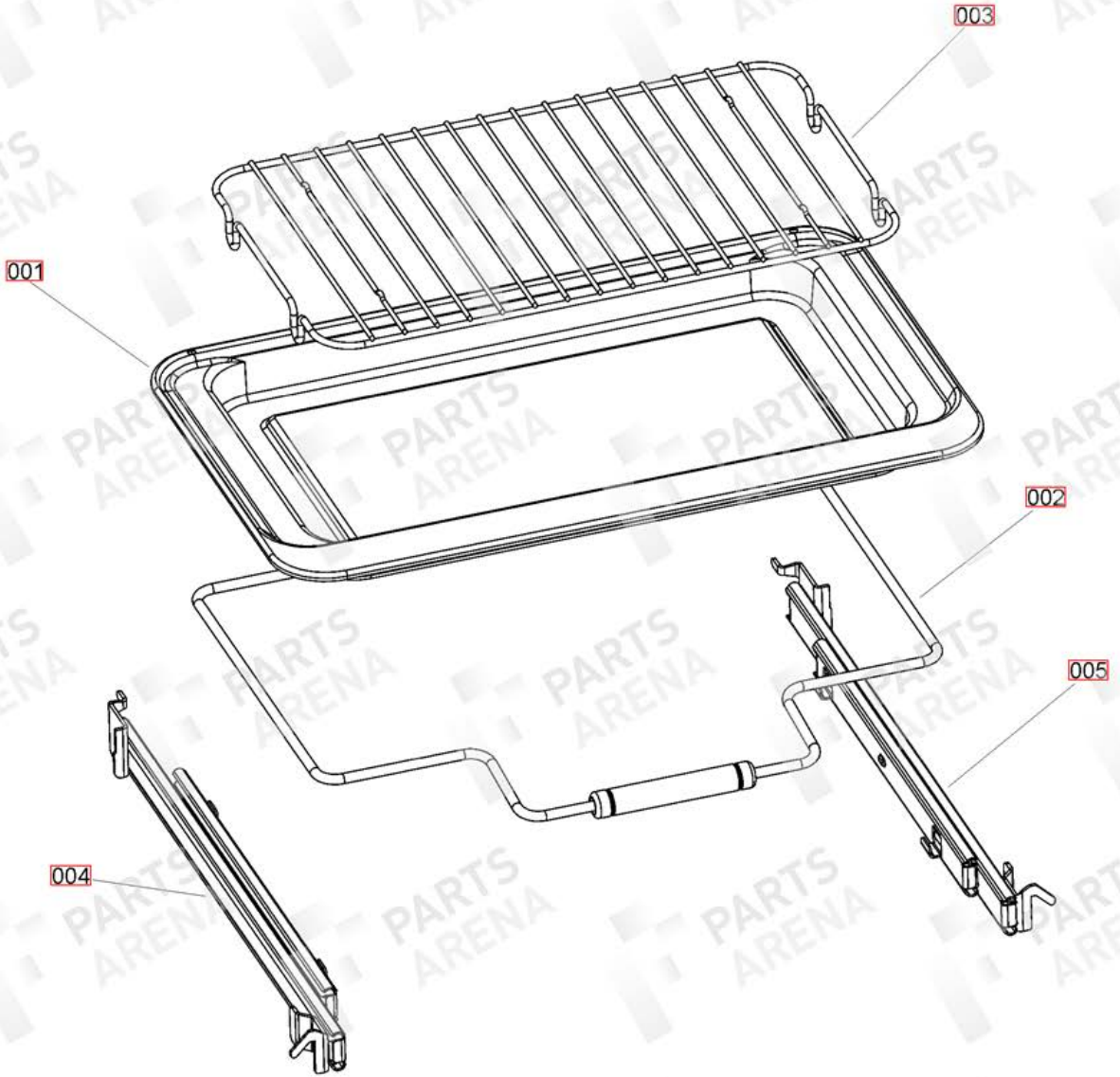
FROM SERIAL NUMBER 150000

DATE 10.02.10 ISSUE STATUS 002

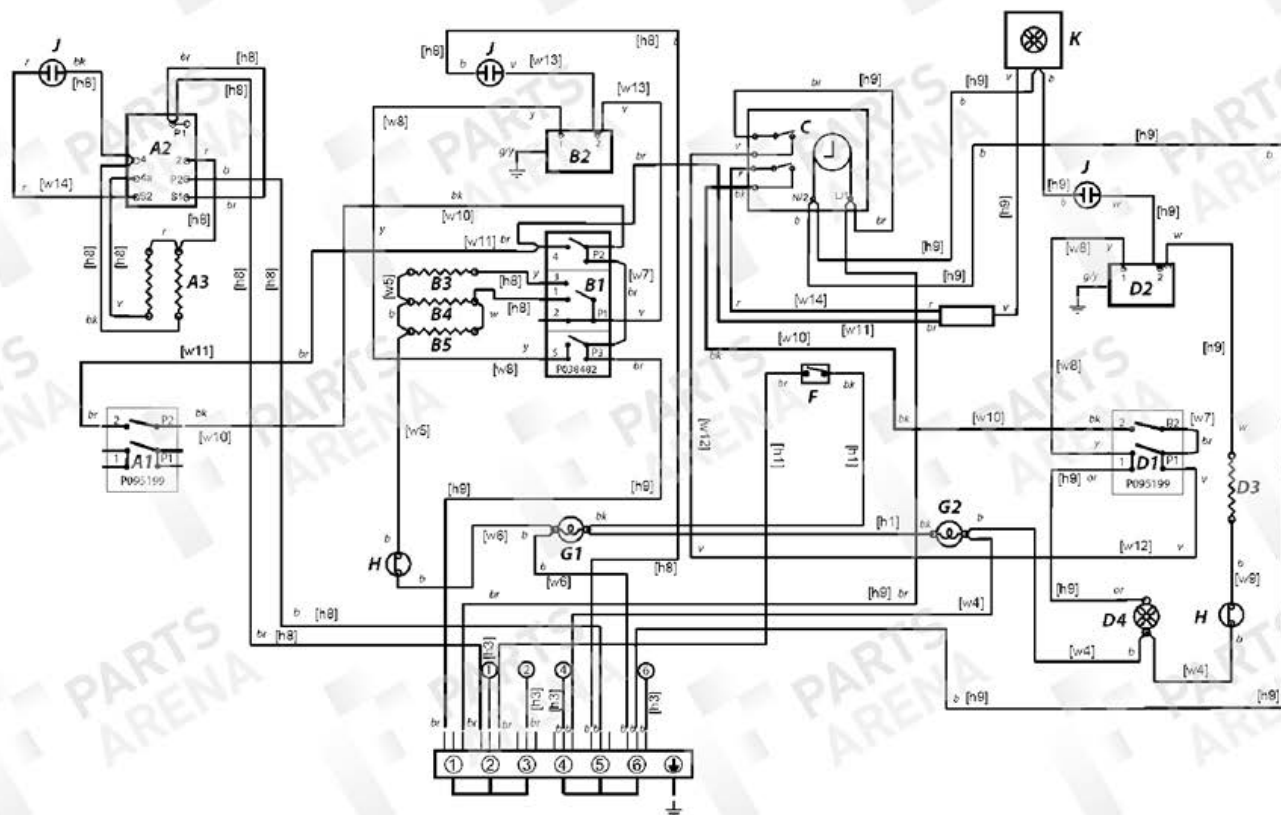








FROM SERIAL NUMBER 158000
UK & EU MODELS ONLY



Ref Number	Part number	Colour	Quantity	Remarks
[w1]	P043962	gr/y	1	Wire - (N) Earth Link LH and RH Oven
[w2]	P094943	gr/y	2	Wire - (N) Earth Link Thermostat Controls
[w3]	P055374	gr/y	2	Wire - (N) Earth Link Grill Elements
[w4]	P043963	b	1	Wire - RH Oven Neutral
[w5]	P043964	b	1	Wire - LH Oven Neutral Top_Bottom Elements
[w6]	P043965	b	1	Wire - LH Oven Neutral_Thermal Trip_Lights
[w7]	P055344	br	2	Wire - Supply Link LH Oven Switch and RH Oven Switch
[w8]	P037863	y	2	Wire - LH and RH Oven Thermostat Link to Front Switch
[w9]	P040066	b	1	Wire - RH Oven Neutral Link to Thermal Trip
[w10]	P038186	bk	2	Wire - RH OVEN COOLING FAN CONTROL_LH OVEN COOLING FAN FEED
[w11]	P059546	br	1	Wire - Cooling Fan Front Switch Link Wire
[w12]	P045407	v	1	Wire - RH Oven Supply
[w13]	P033367	v	1	Wire - LH Oven Thermostat and Neon Supply
[w14]	P040719	r	2	Wire - Grill Neon Link to Energy Regulator
[h1]	P040760	br/b/g	1	Harness - Light Switch Links
[h2]	P051839	br/b/g	1	Harness - (N) MAINS POWER - CONNECTOR BLOCK - INDUCTION UNIT
[h3]	P052814	br/b/g	1	Harness - MAINS POWER - TERMINAL BLOCK - CONNECTOR BLOCK
[h4]	P043939	br	1	Harness - (N) Rotary Control 1
[h5]	P043937	br	1	Harness - (N) Rotary Control 5
[h6]	P043936	br	2	Harness - (N) Rotary Control 3 & 4
[h10]	P040924	br	1	Harness - (N) Rotary Control 2
[h7]	P051766	br	1	Harness - LH Connection K6 to interface Board
[h8]	P045630	br/bl/bk/v/y/w	1	Harness - LH Oven and Grill
[h9]	P059544	br/b/or/w	1	Harness - RH Oven Harness

N Not Illustrated

w - Single Cable / Single Cable with multiple terminations

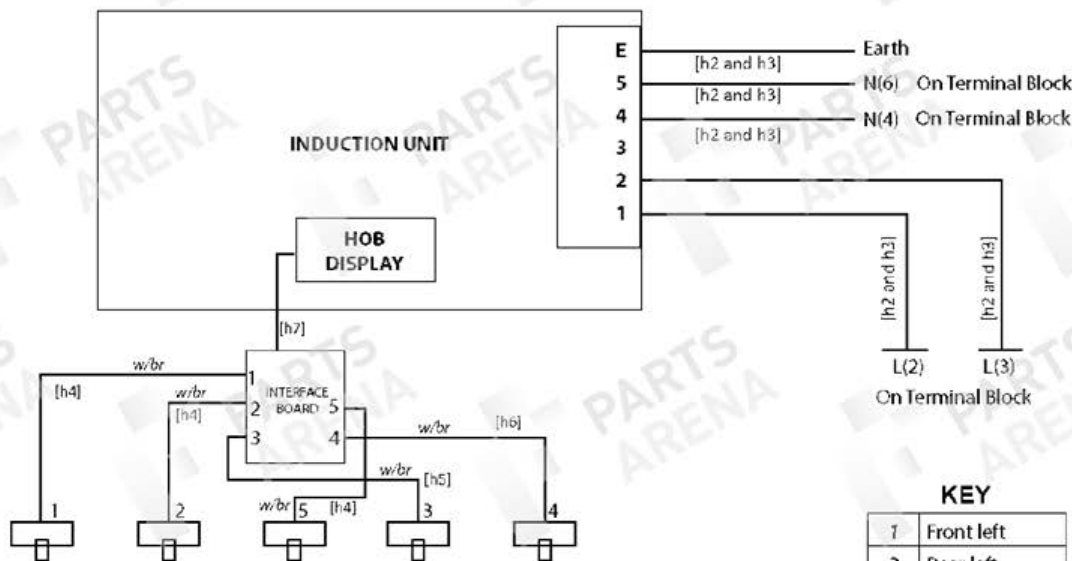
h - Harness Assembly (Including Single Wires that are Sheathed)

Code	Description
A1	Grill Front Switch
A2	Grill Energy Regulator
A3	Grill Elements
B1	Zoned Oven Front Switch
B2	Zoned Oven Thermostat
B3	Zoned oven browning element (inner pair)
B4	Zoned oven top element (outer pair)
B5	Zoned Oven Base Element
C	Clock / Oven Function Timer

Code	Description
D1	Right Hand Oven Front Switch
D2	Right Hand Oven Thermostat
D3	Right-Hand Fan Oven element
D4	Right-Hand Oven fan
F	Ovens Light Switch
G1	Oven Light LH Oven
G2	Oven Light RH Oven
H	Thermal cut-out
J	Neon
K	Cooling Fan

Code	Colour
b	Blue
br	Brown
bk	Black
or	Orange
r	Red
v	Violet
w	White
y	Yellow
gr	Grey

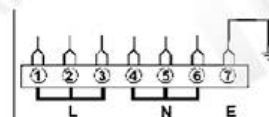
FROM SERIAL NUMBER 158000
UK & EU MODELS ONLY



KEY

1	Front left
2	Rear left
3	Rear right
4	Front right
5	Centre
w/br	White or Brown

Ref Number	Part number	Colour	Quantity	Remarks
h4	7043939	br	3	Harness - Rotary Control 1,2 and 5
h5	7043937	br	1	Harness - Rotary Control 3
h6	7043935	br	1	Harness - Rotary Control 4
h7	7051785	br	1	Harness - L/N Connection KE to Interface Board
h2	7051839	br/big	1	Harness - MAINS POWER - CONNECTOR BLOCK - INDUCTION UNIT
h3	7052814	br/big	1	Harness - MAINS POWER - TERMINAL BLOCK - CONNECTOR BLOCK



110 cm
INDUCTION UNIT