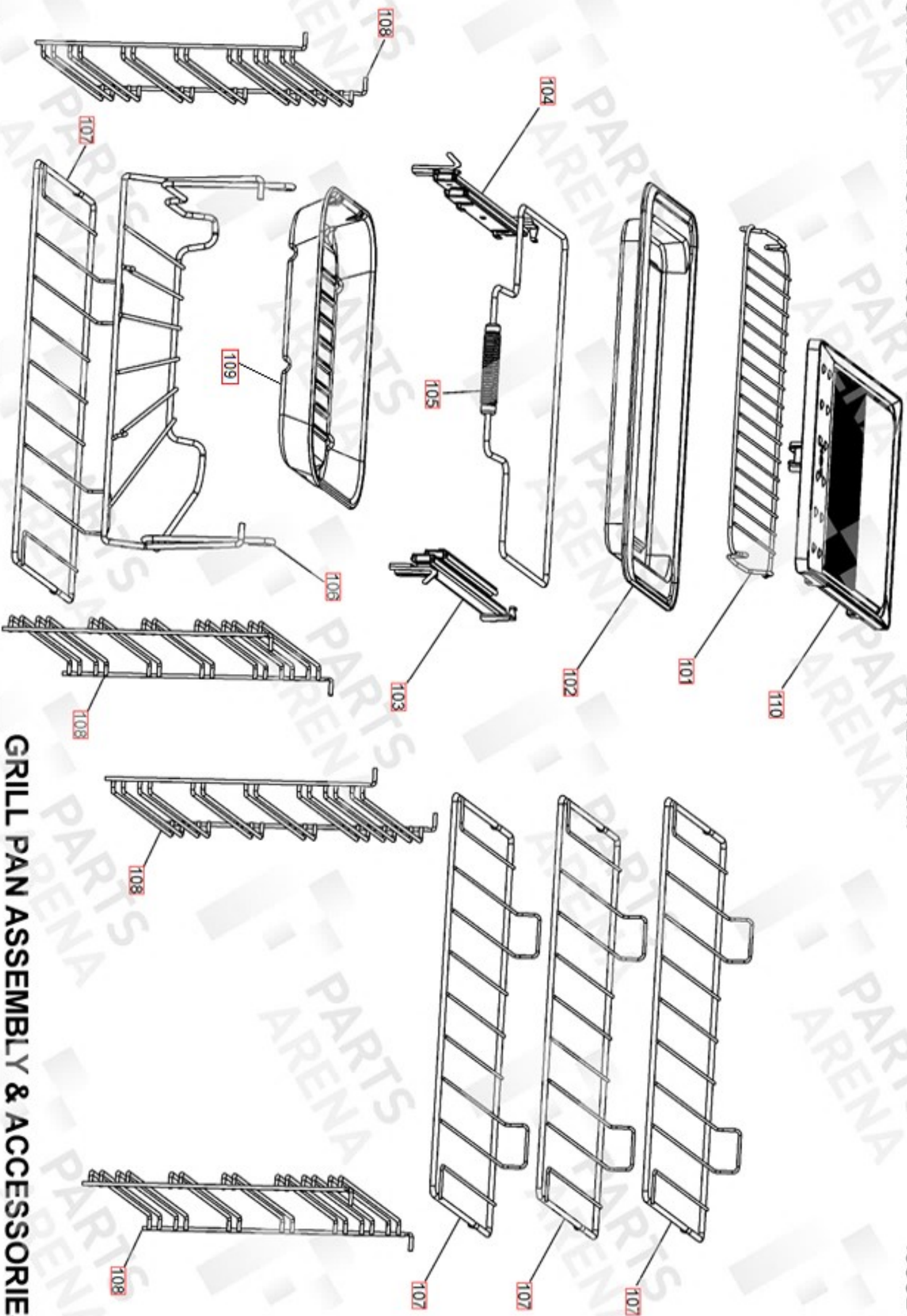


PROFESSIONAL PLUS 110 DUAL FUEL FSD  
FROM SERIAL No: 187000

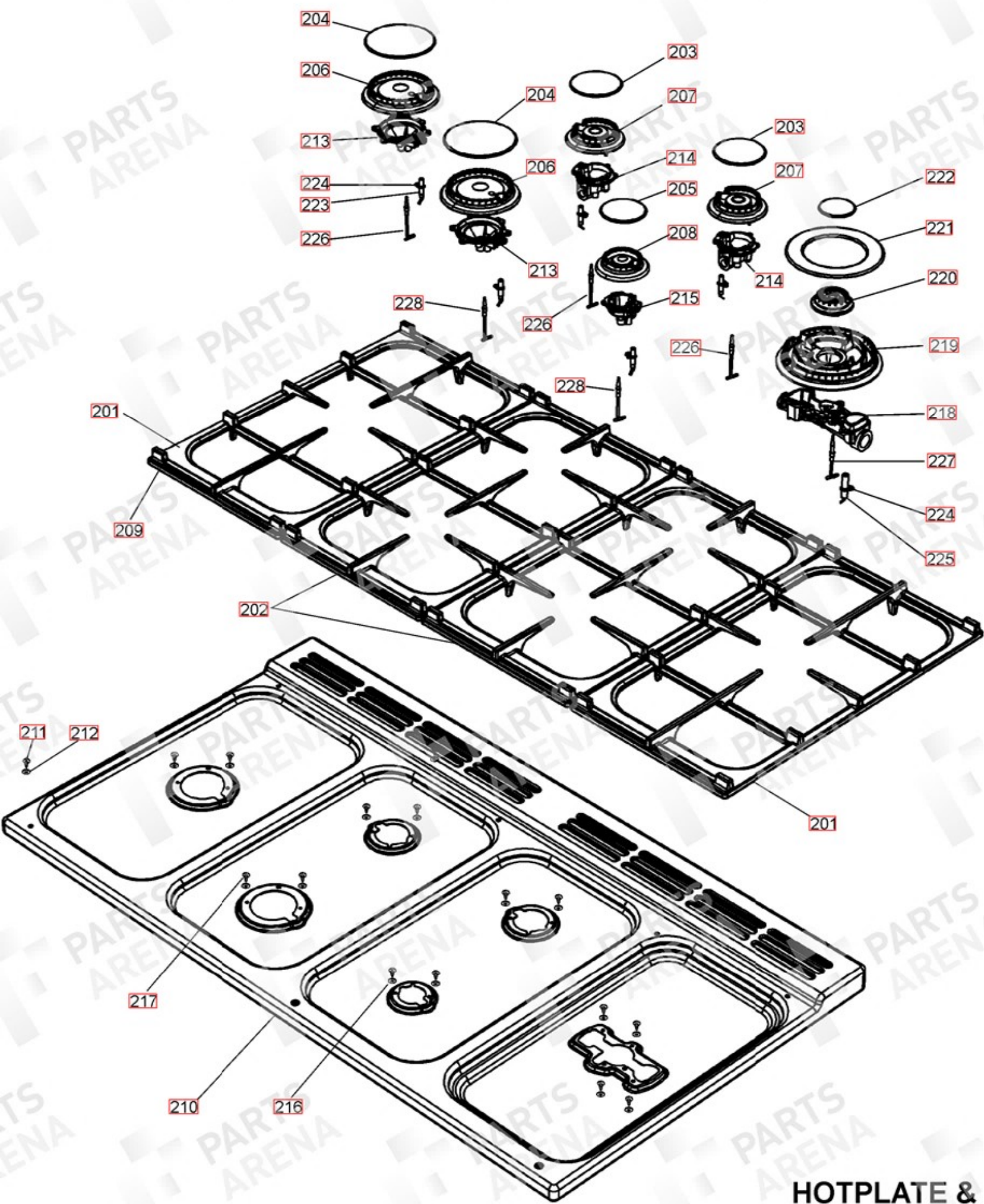
DATE 01.08.17

DSL0713 P00  
ISSUE STATUS: 01

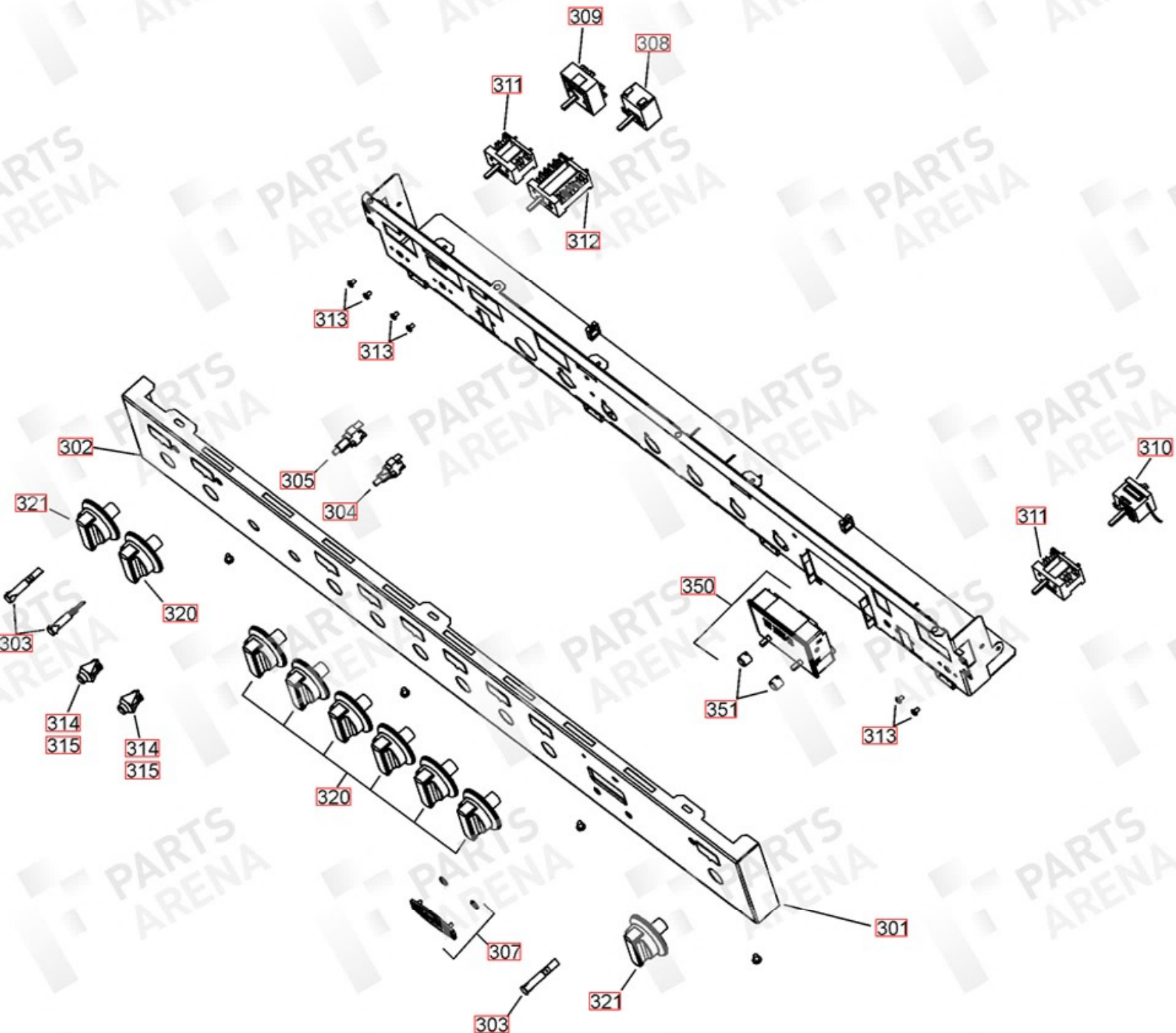


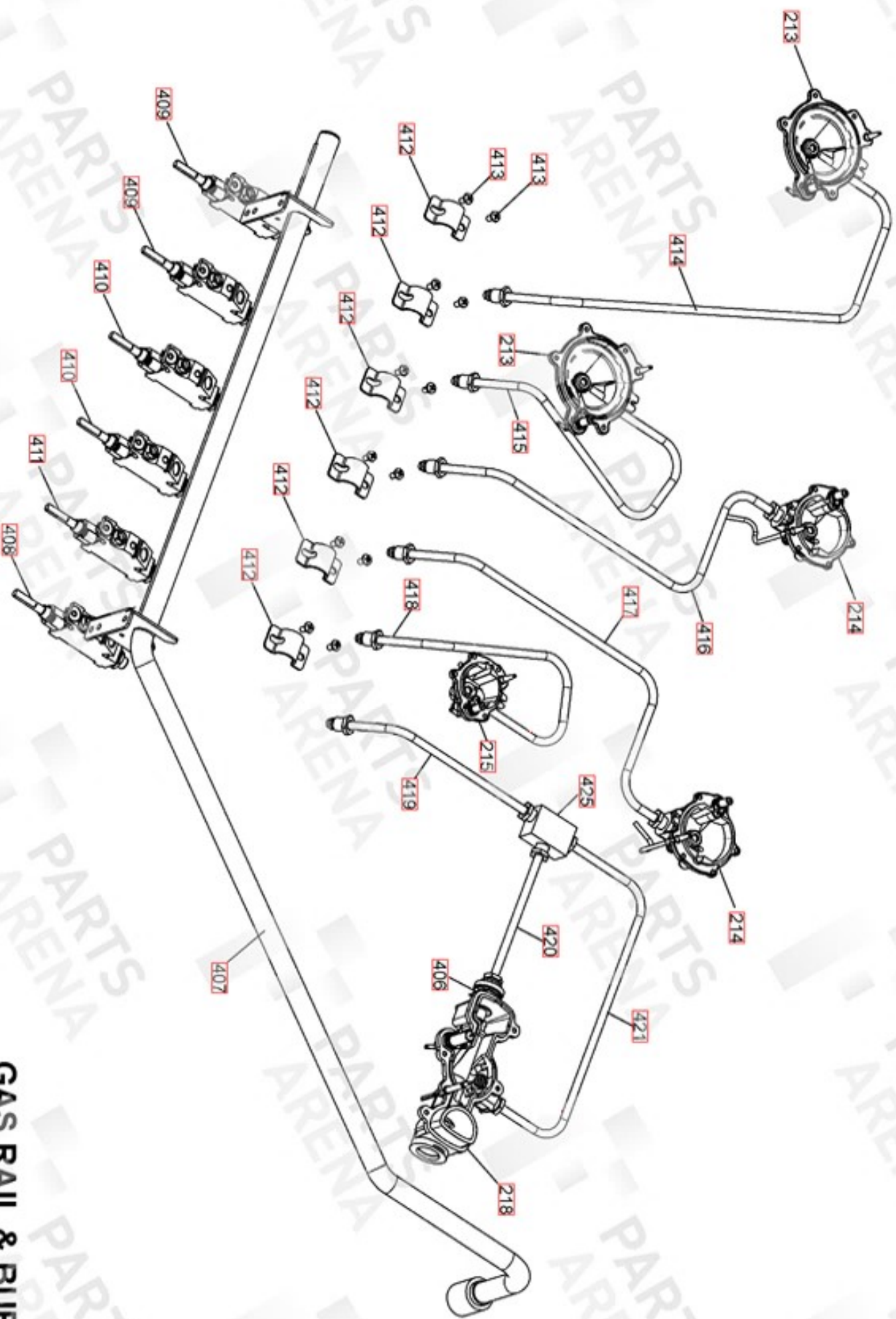


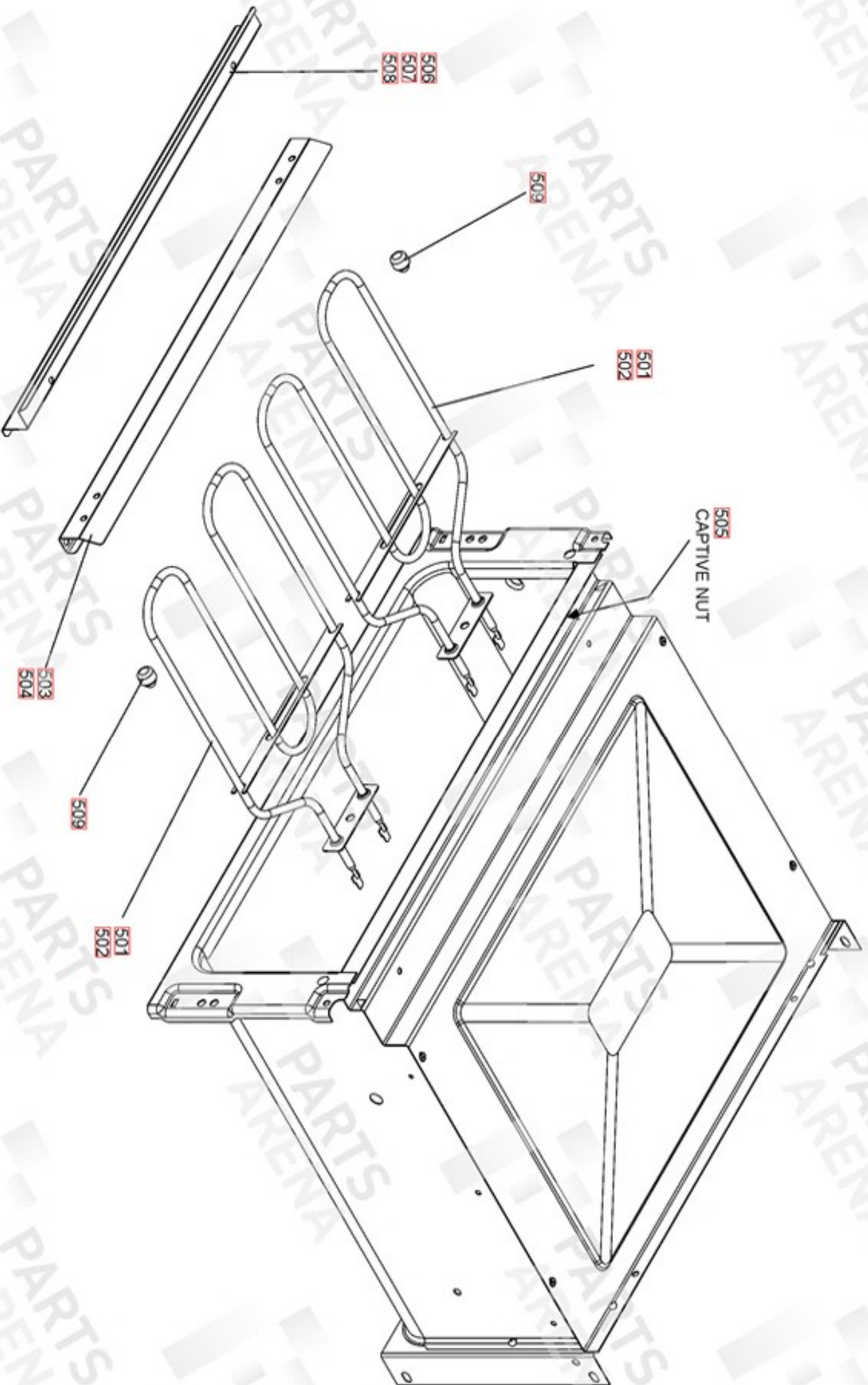
GRILL PAN ASSEMBLY & ACCESSORIES



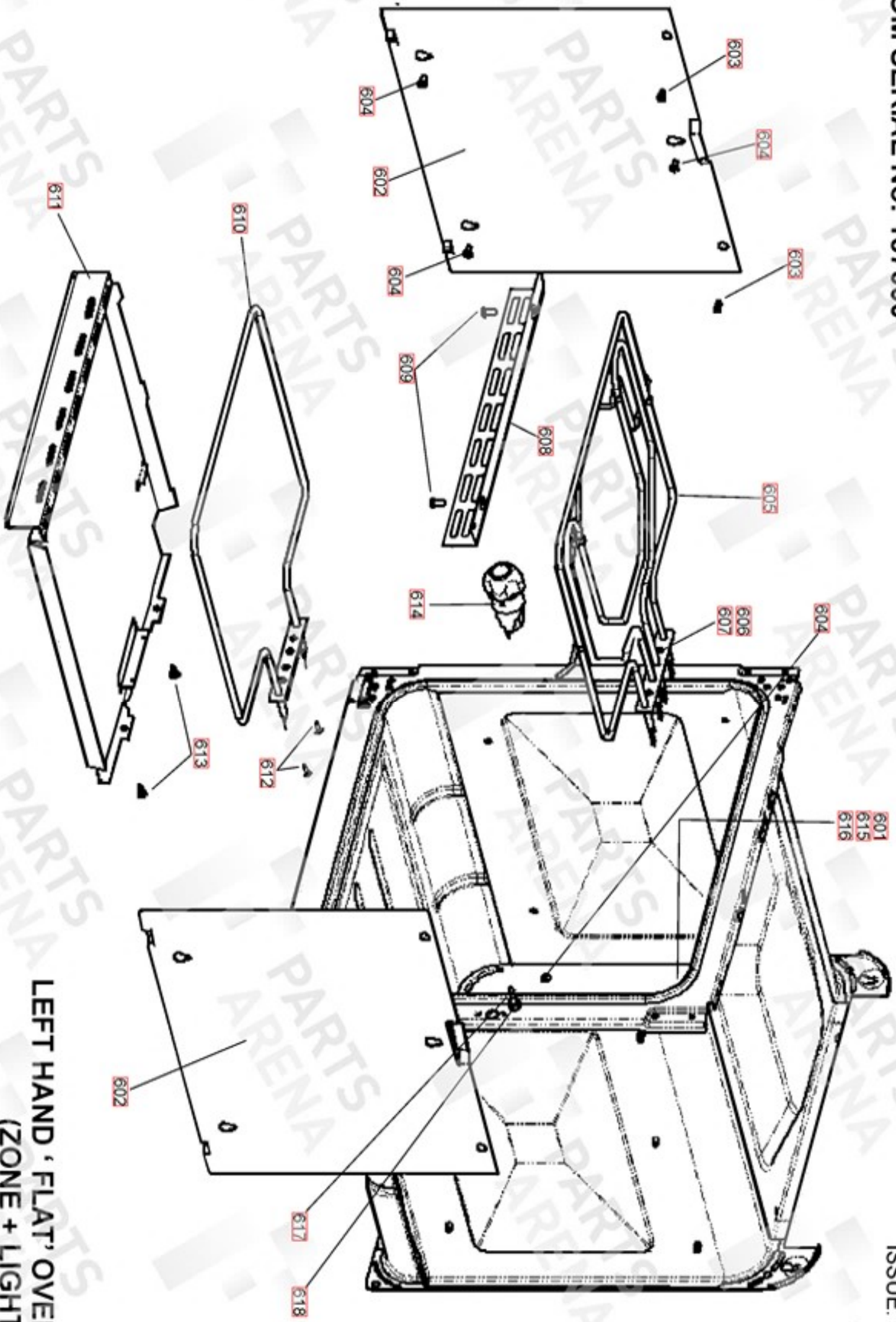
HOTPLATE & BURNERS



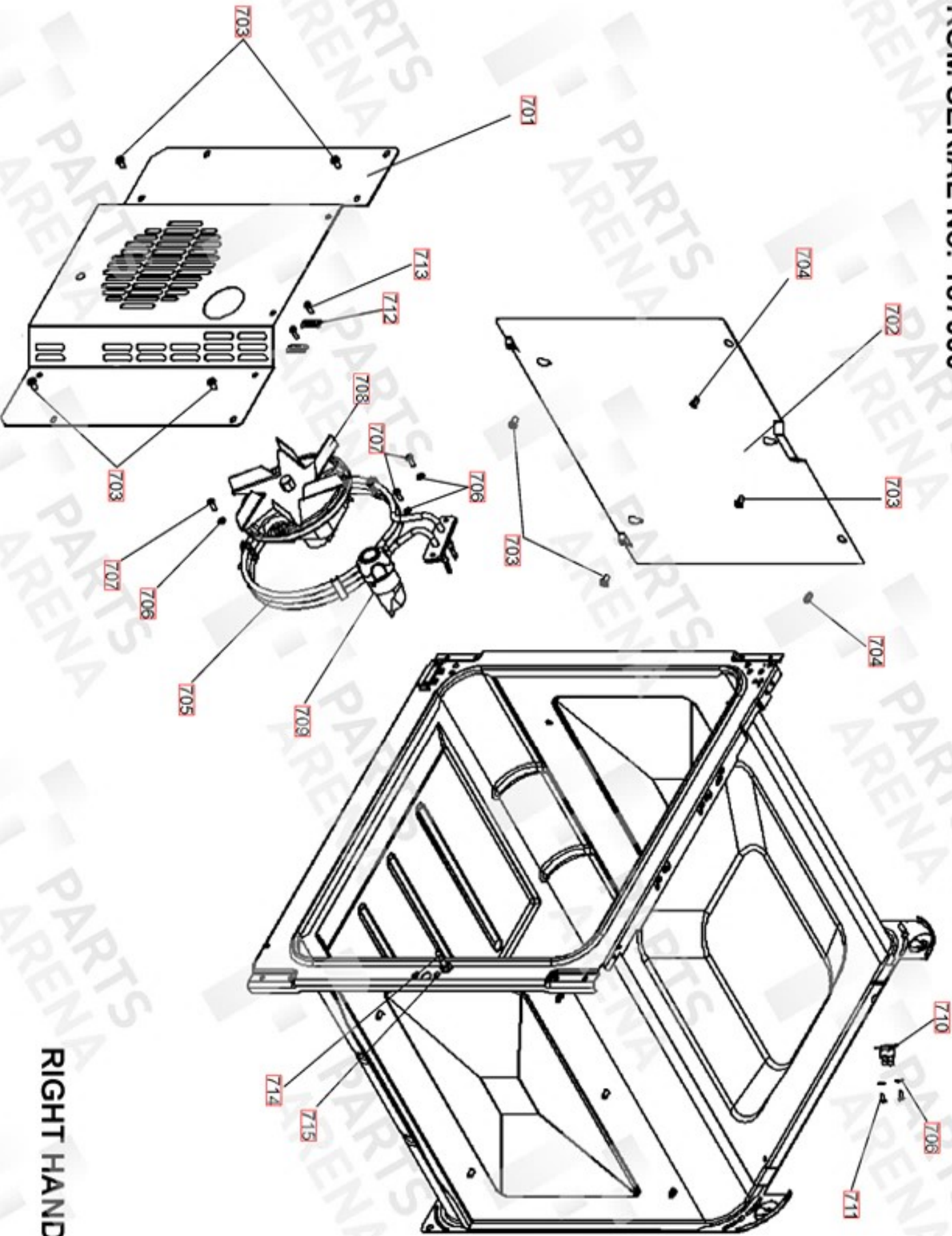




GRILL CHAMBER

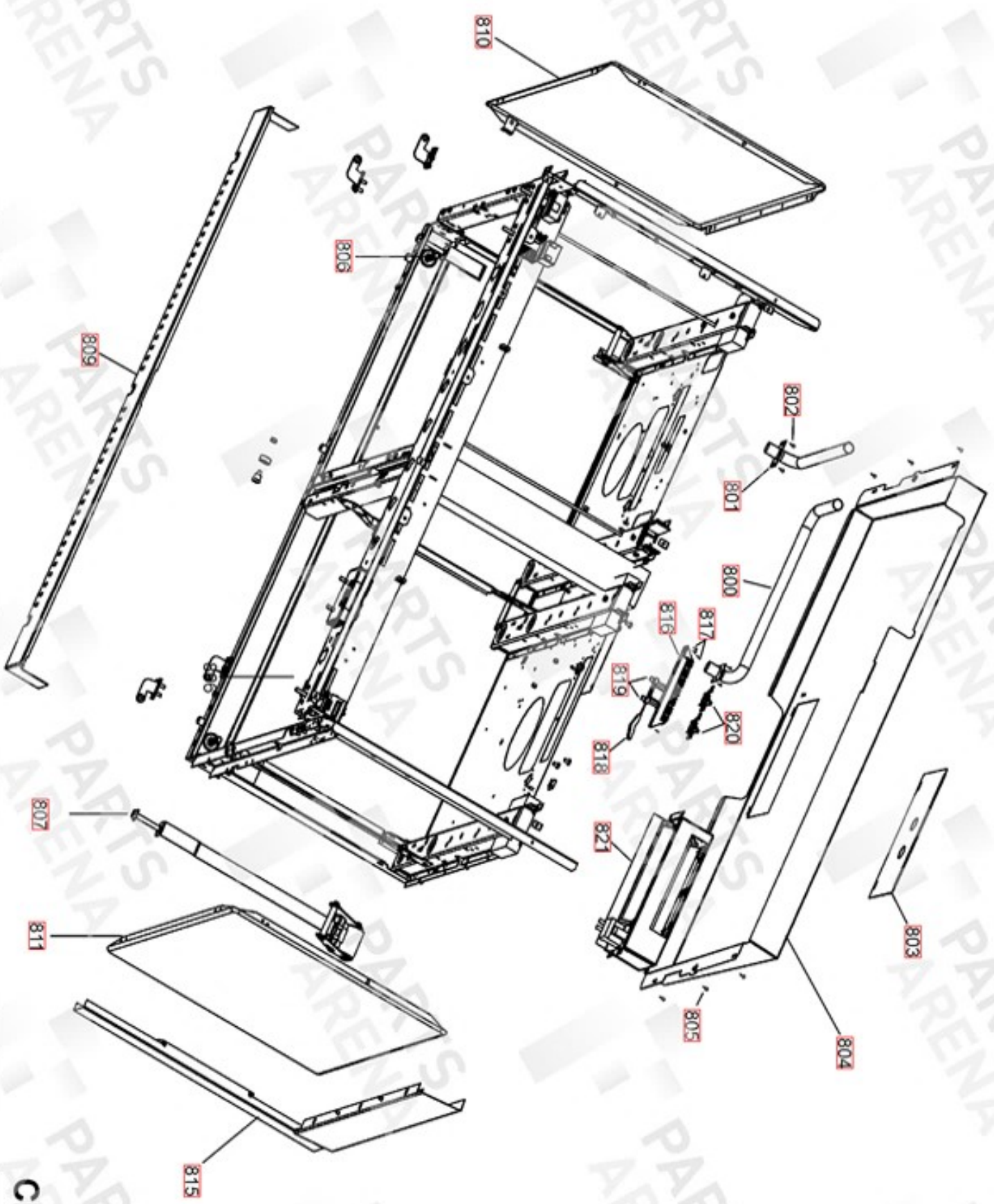


LEFT HAND 'FLAT' OVEN  
(ZONE + LIGHT)

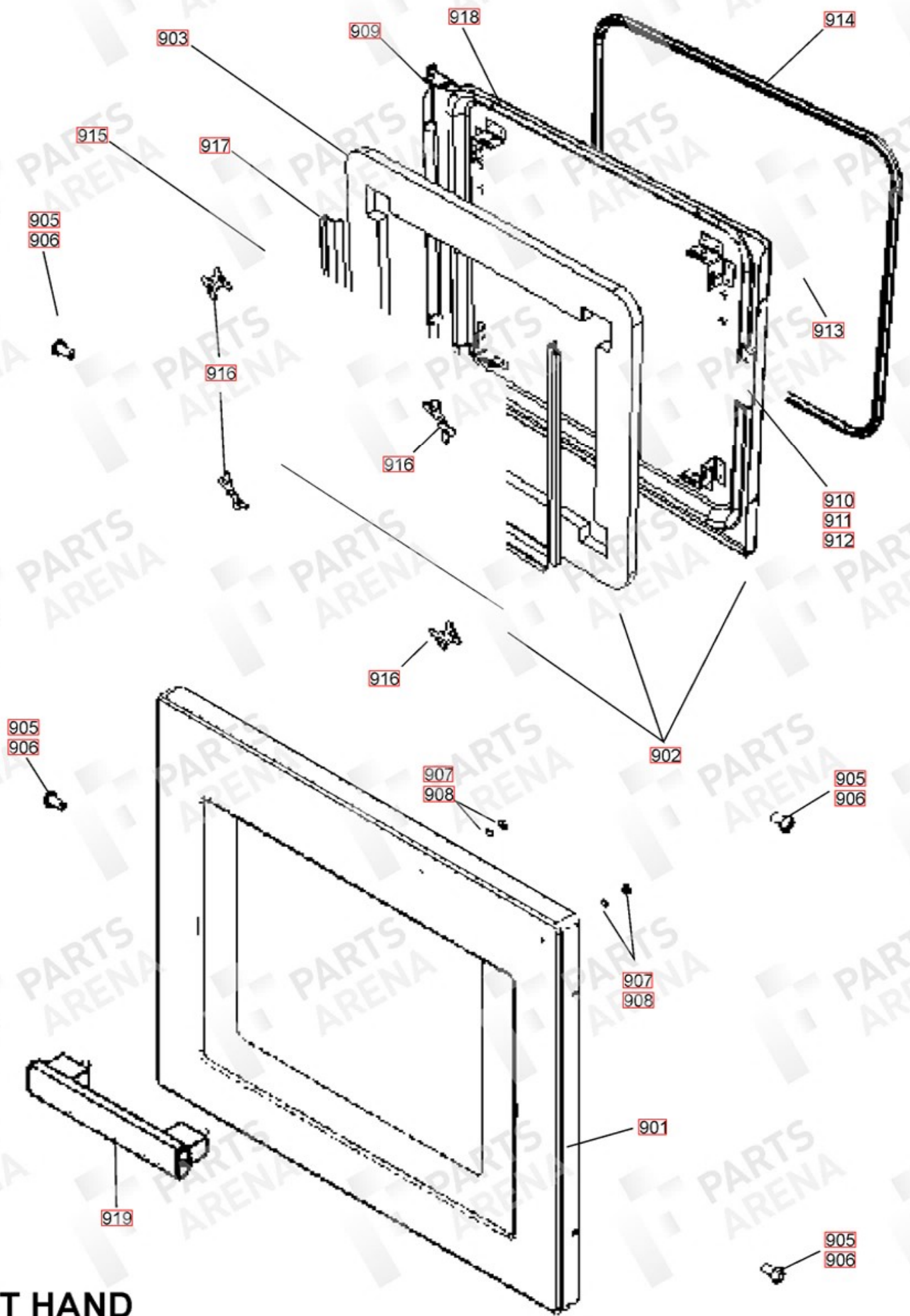


RIGHT HAND 'FLAT' OVEN  
(FAN+LIGHT)

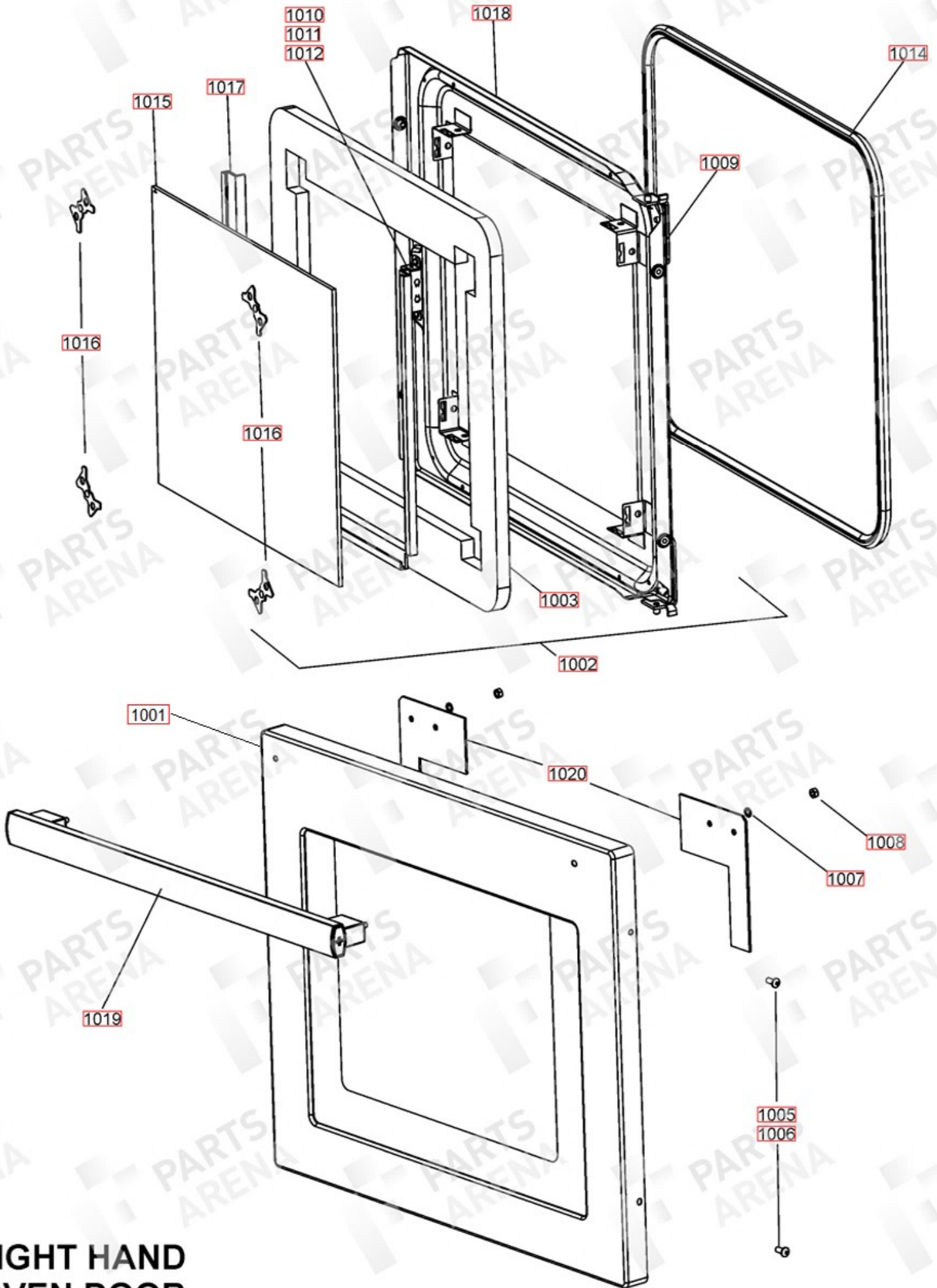




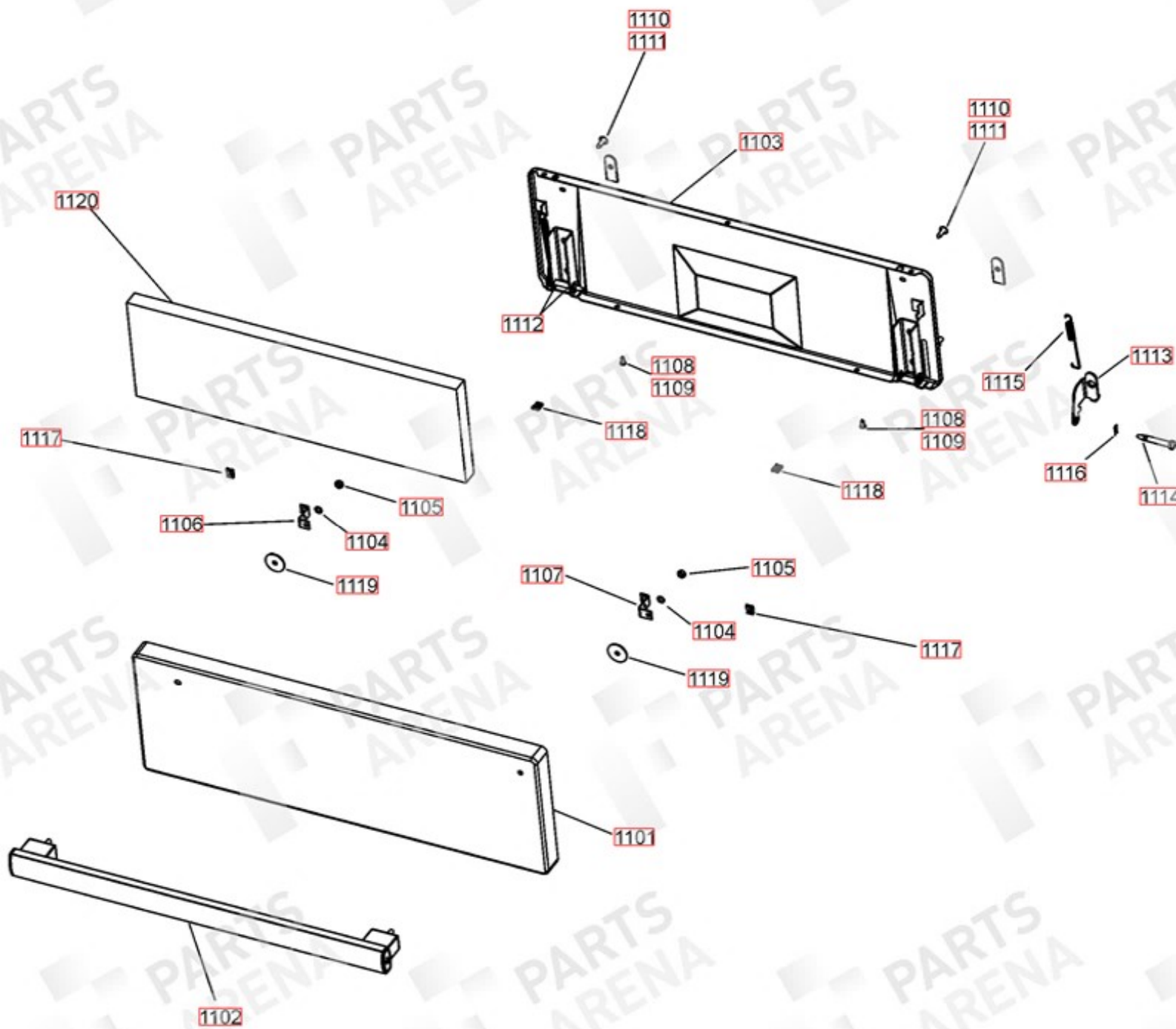
CHASSIS

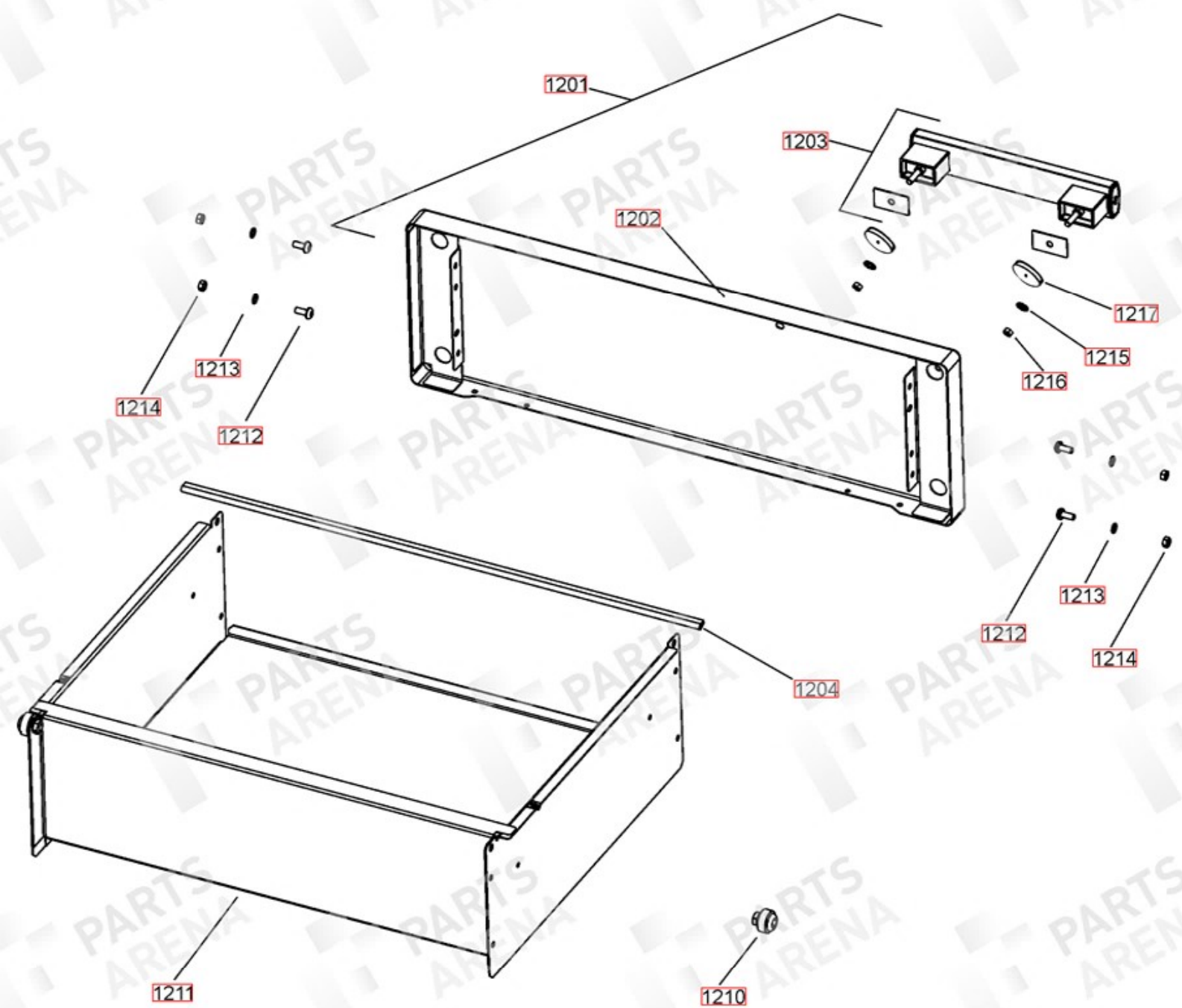


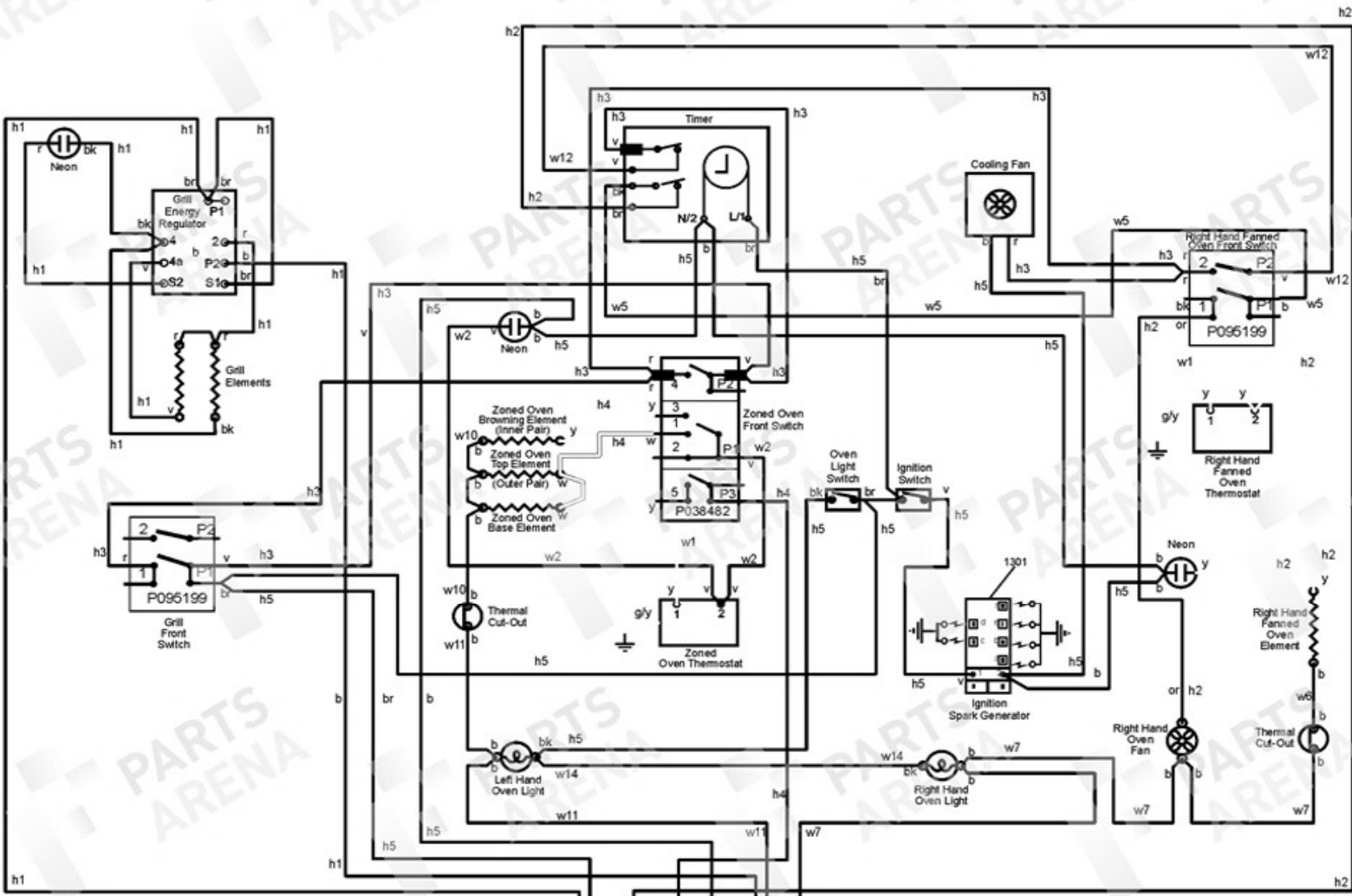
LEFT HAND  
OVEN DOOR



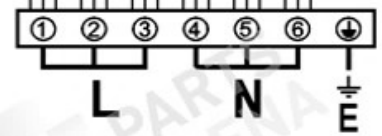
RIGHT HAND  
OVEN DOOR







The ratings are for 230V 50Hz



The connections shown in the circuit diagram are for single-phase.

Ref N°	Part N°	Quantity	Colour	Discription
w1	P037863	2	y	WIRE ASSEMBLY - YELLOW LINK
w2	P064457	1	v	WIRE ASSY VIOLET - OVEN NEON LINK
h1	P064445	1	r/bl/b/v/br	HARNESS - GRILL
w3	P055374	2	g/y	NI - WIRE ASSEMBLY - GRILL EARTHS LINKS
h2	P064454	1	or/br/y	FANNED OVEN HARNESS
w4	P094943	2	g/y	NI - WIRE ASSEMBLY - OVEN STAT EARTH LINK
h3	P066163	1	r/v	HARNESS - COOLING/ZONED
h4	P064451	1	w/y/br	HARNESS - LH ZONED OVEN
w5	P049233	1	bl	FEED WIRE - RH OVEN SWITCH - TIMER
w6	P040066	1	b	WIRE ASSY - NEUTRAL LINK
w7	P025995	1	b	WIRE ASSEMBLY - NEUTRAL LINK
w8	P095450	1	g/y	NI - WIRE ASSEMBLY - EARTH LINK
w9	P027672	1	g/y	NI - WIRE ASSY - EARTH LINK
w10	P040694	1	b	WIRE ASSY (NEUTRAL BLUE DAISY)
w11	P043965	1	b	WIRE 2 LINK RETURN LH OVEN
w12	P045407	1	v	WIRE TIMER RELAY TO RH OVEN
w13	P049292	1	clear	HT WIRE
h5	P066225	1	bl/br/b/v	HARNESS AUX
w14	P066240	1	bl	WIRE ASSY - BLACK LIGHT LINK

Code	Colour
b	Blue
br	Brown
bk	Black
or	Orange
r	Red
v	Violet
w	White
y	Yellow
g/y	Green/yellow