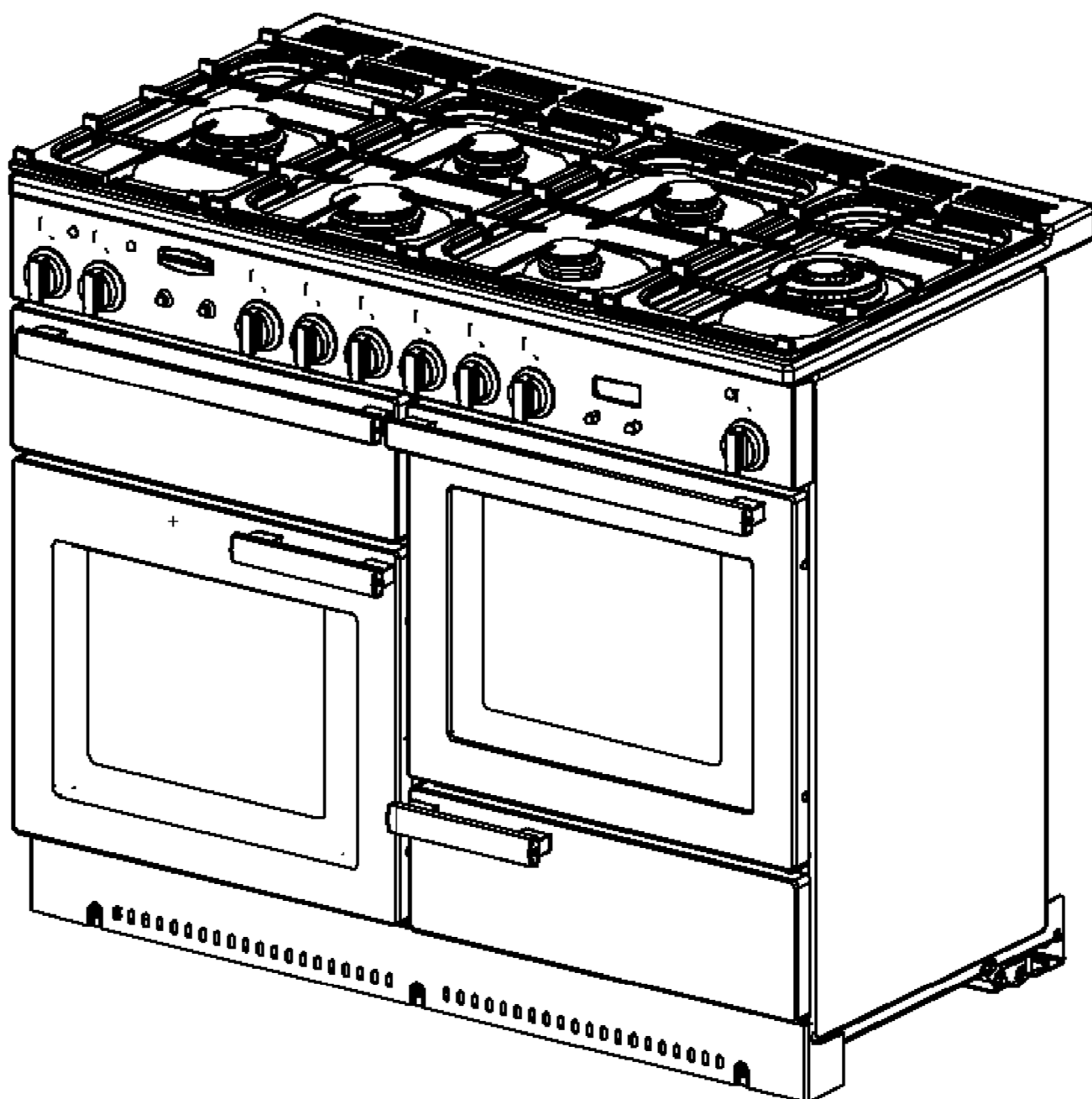
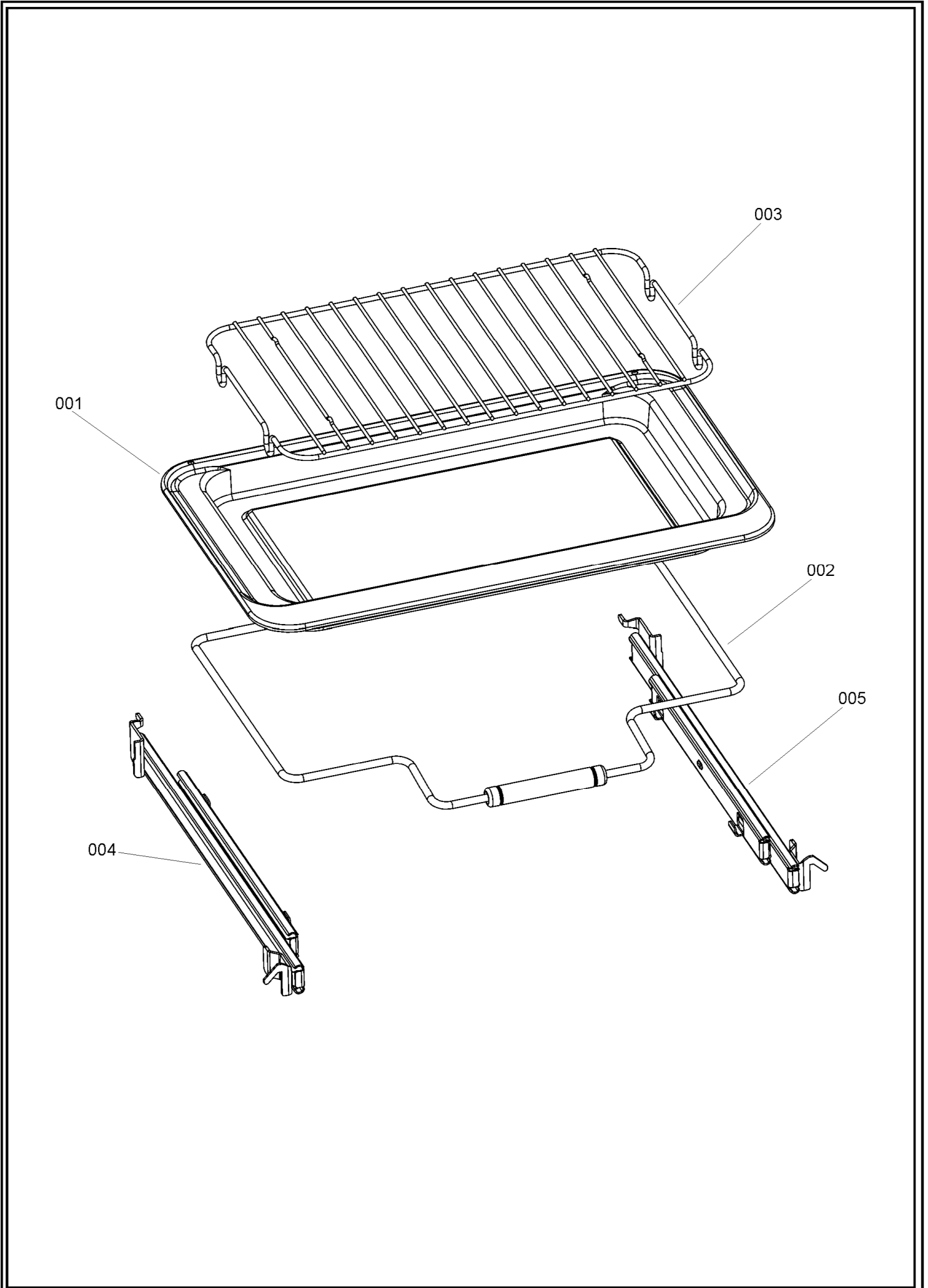
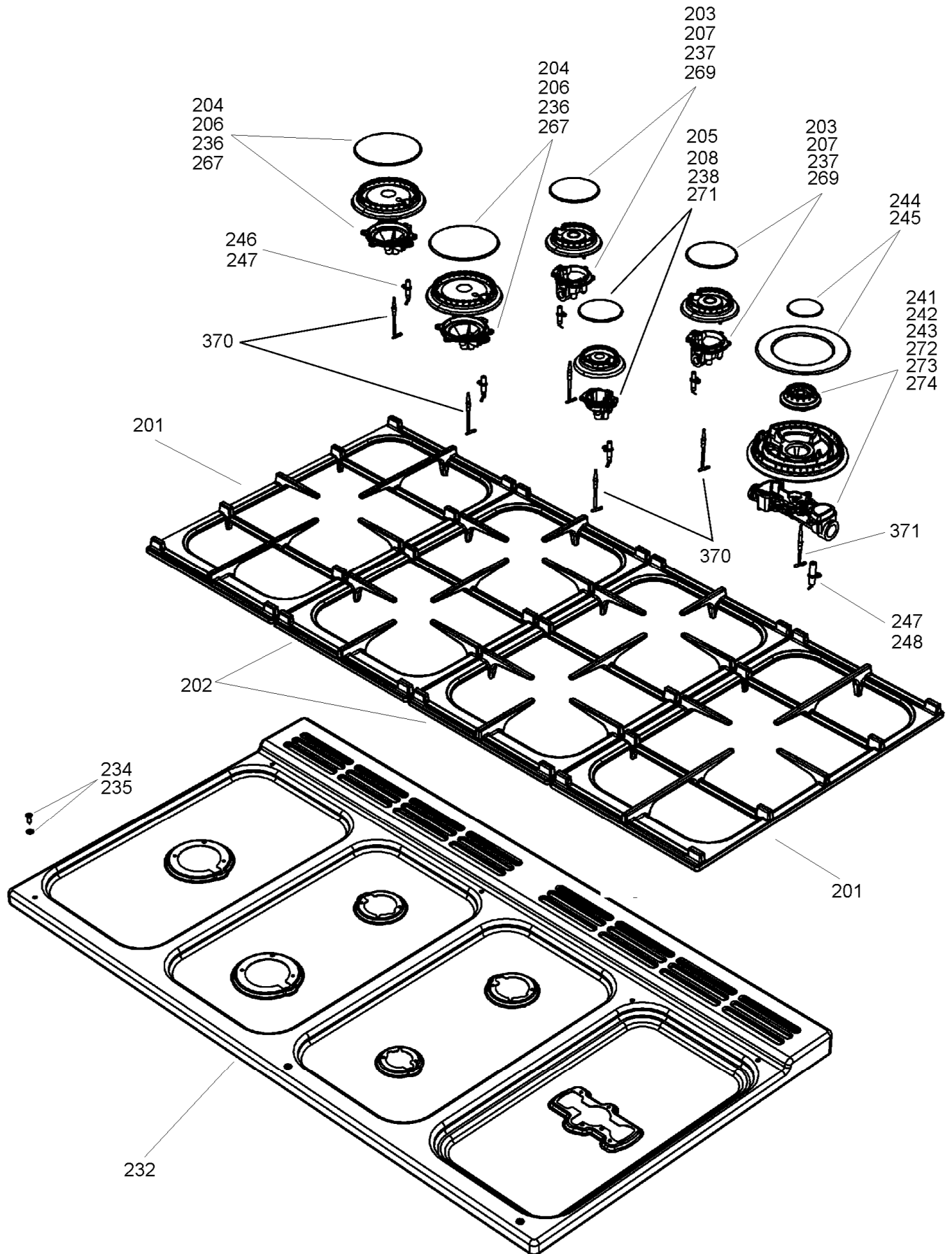


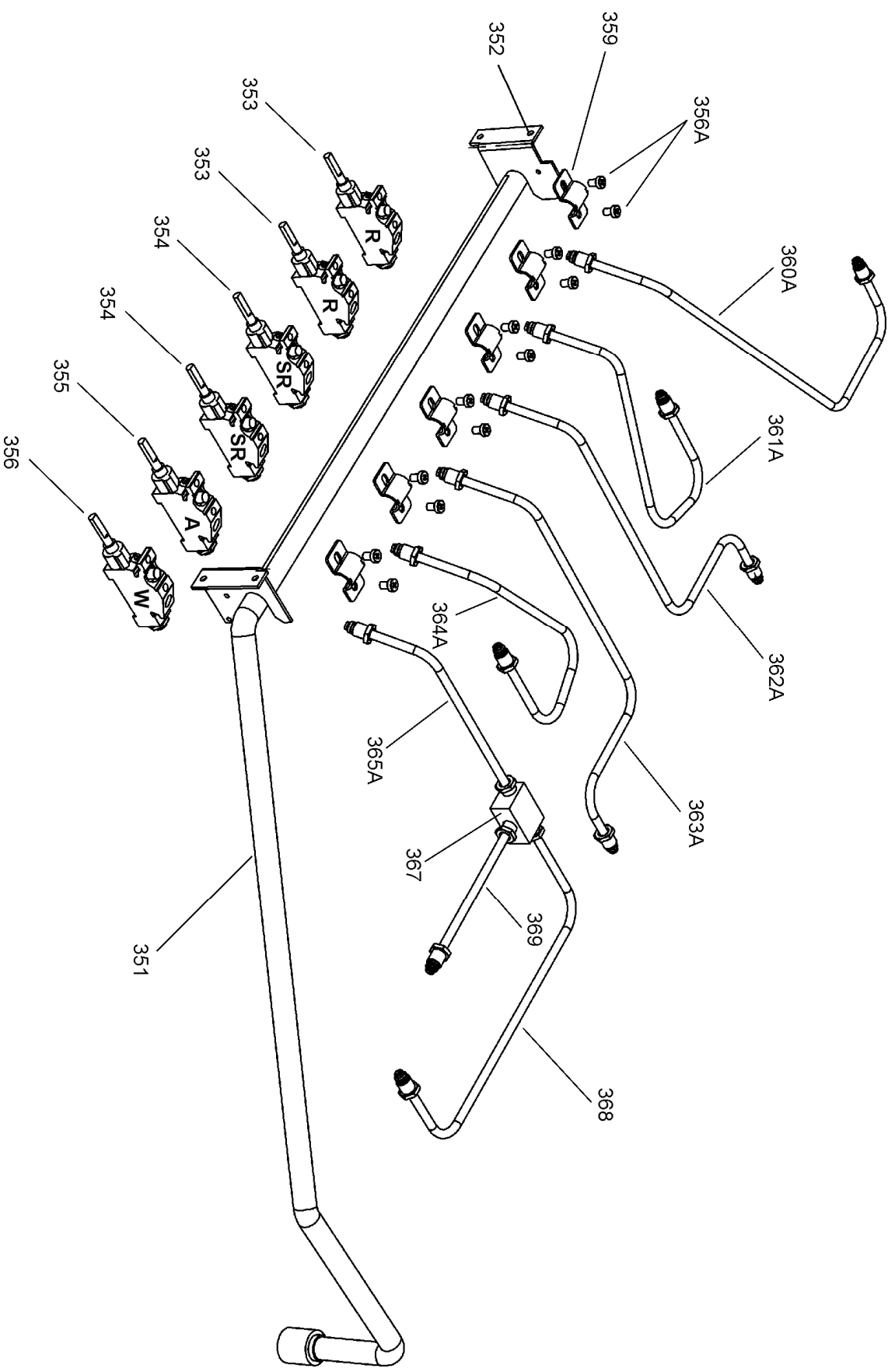
APPLIANCE NAME:
PROFESSIONAL PLUS 110 DF

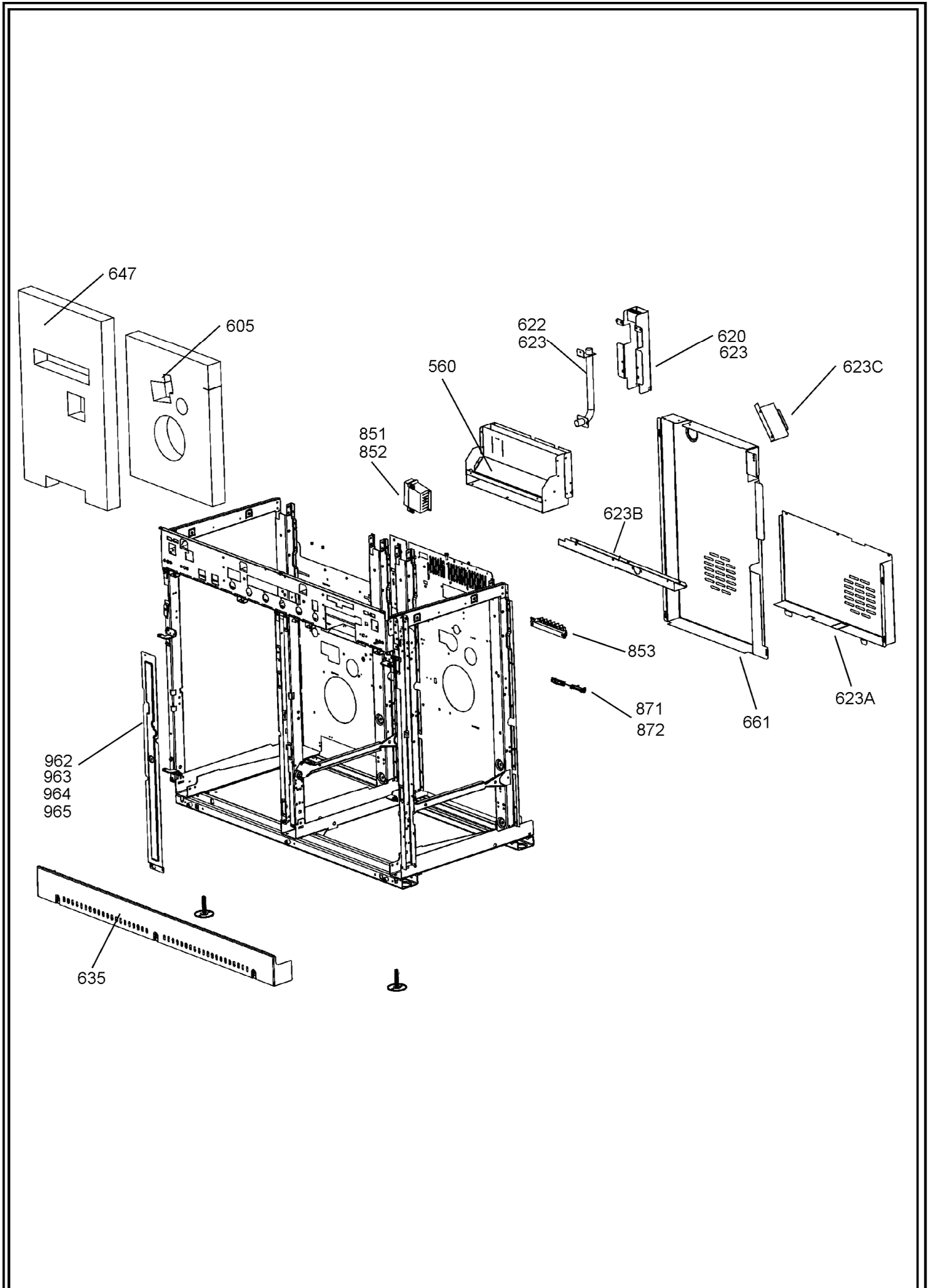
DSL0341 P00
DATE 12.08.07 ISSUE STATUS 001





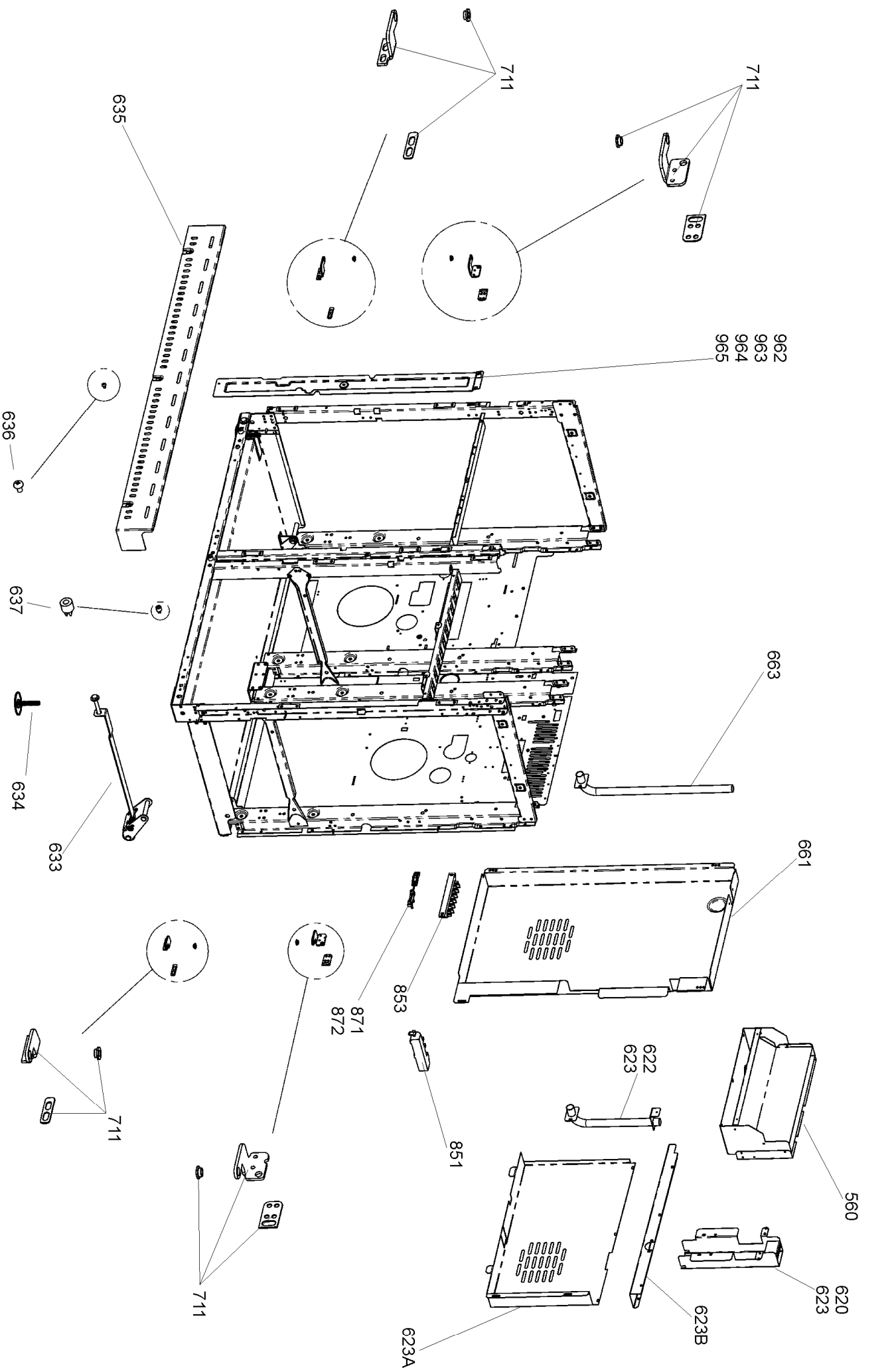


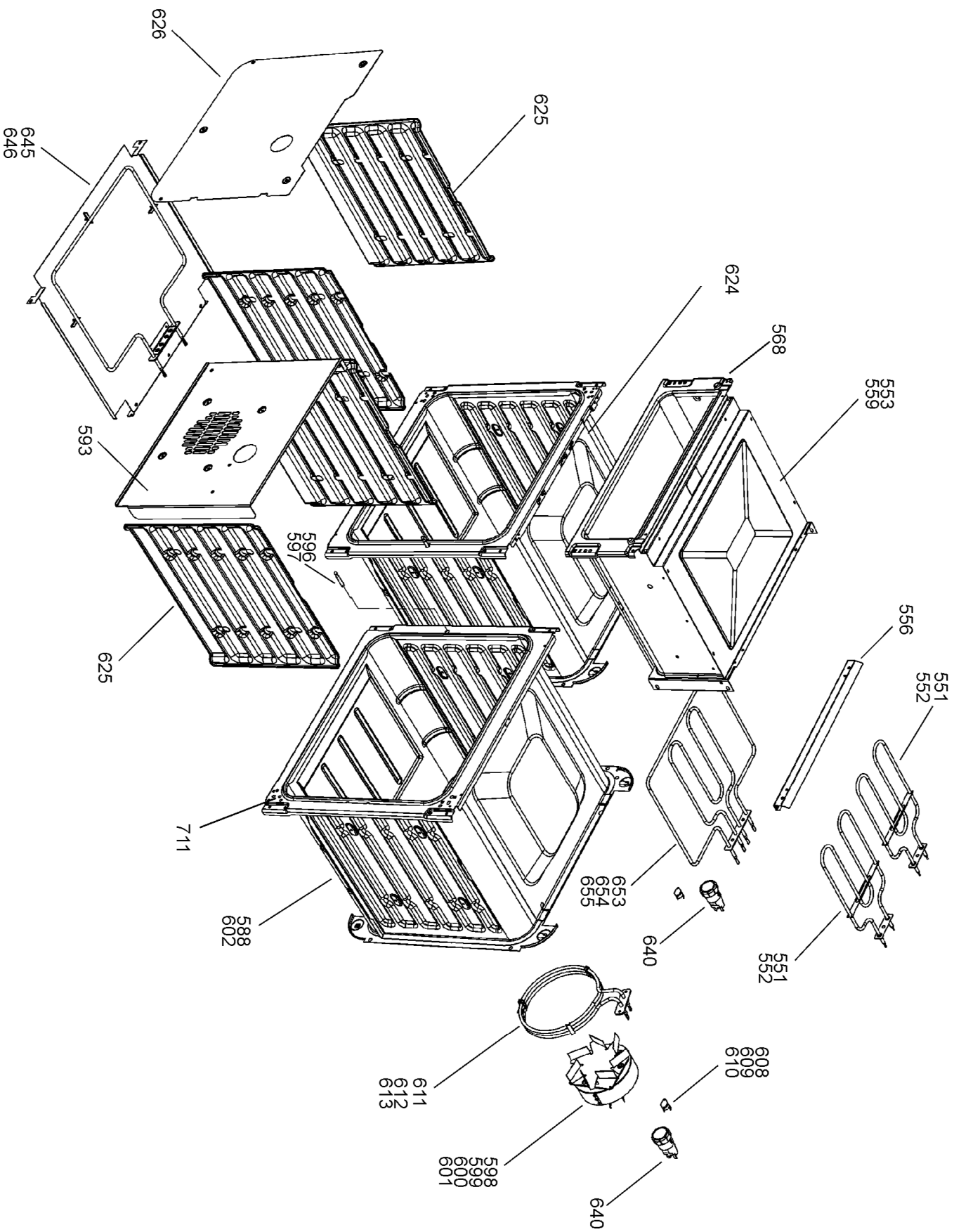




ALL MODELS
FROM SERIAL NUMBER 158000

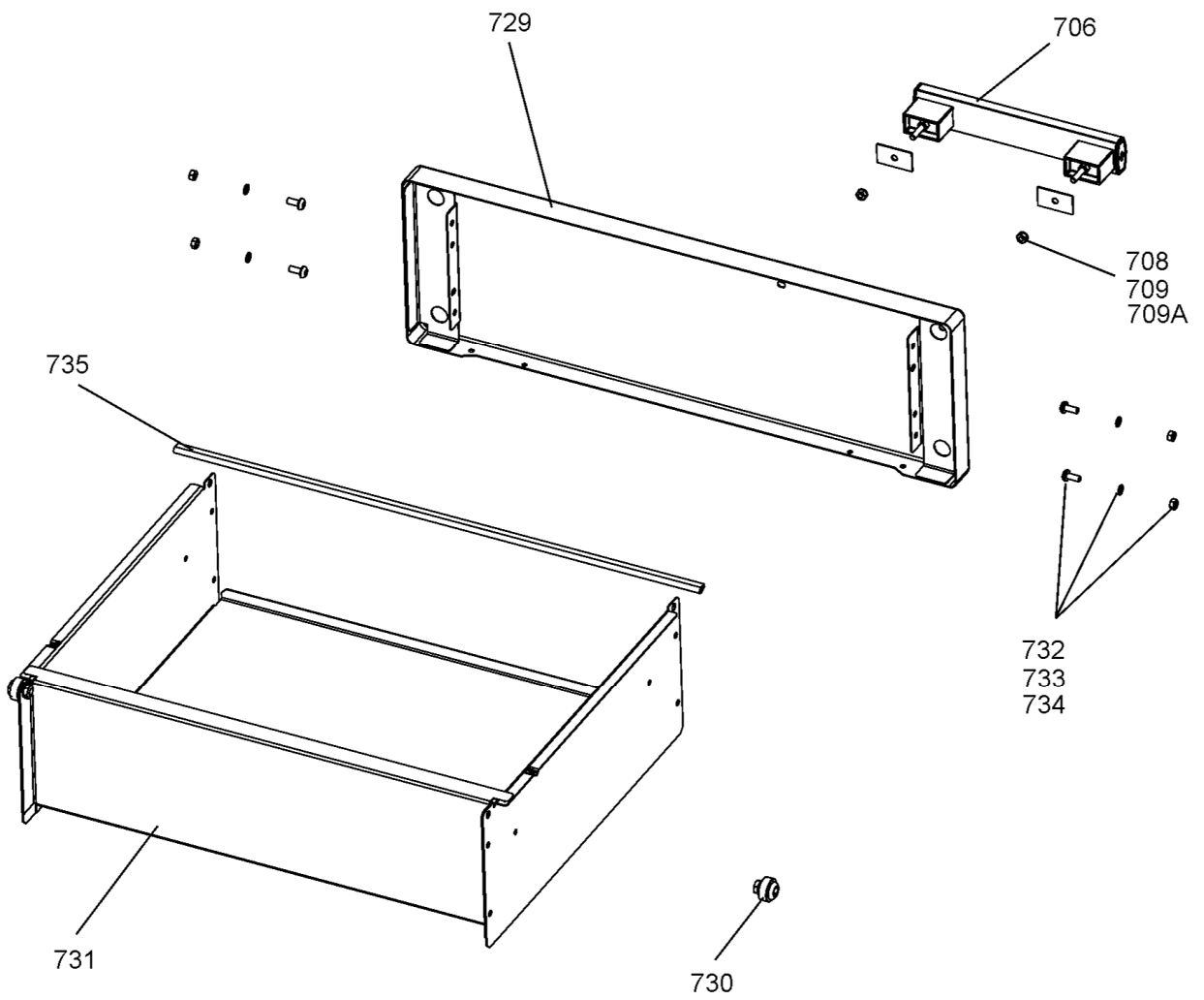
DSL0341 P04A
DATE 14.07.11 ISSUE STATUS 01

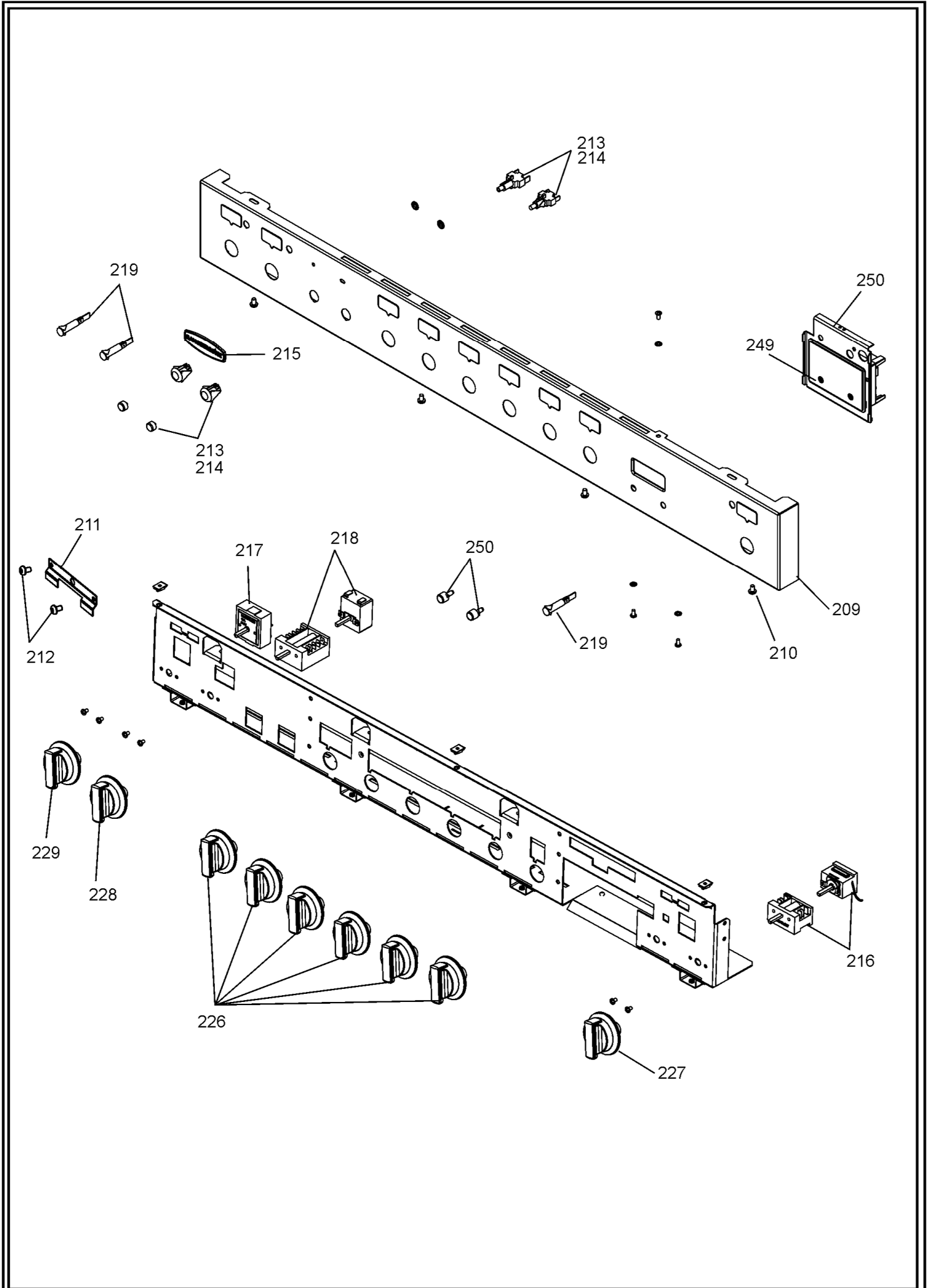


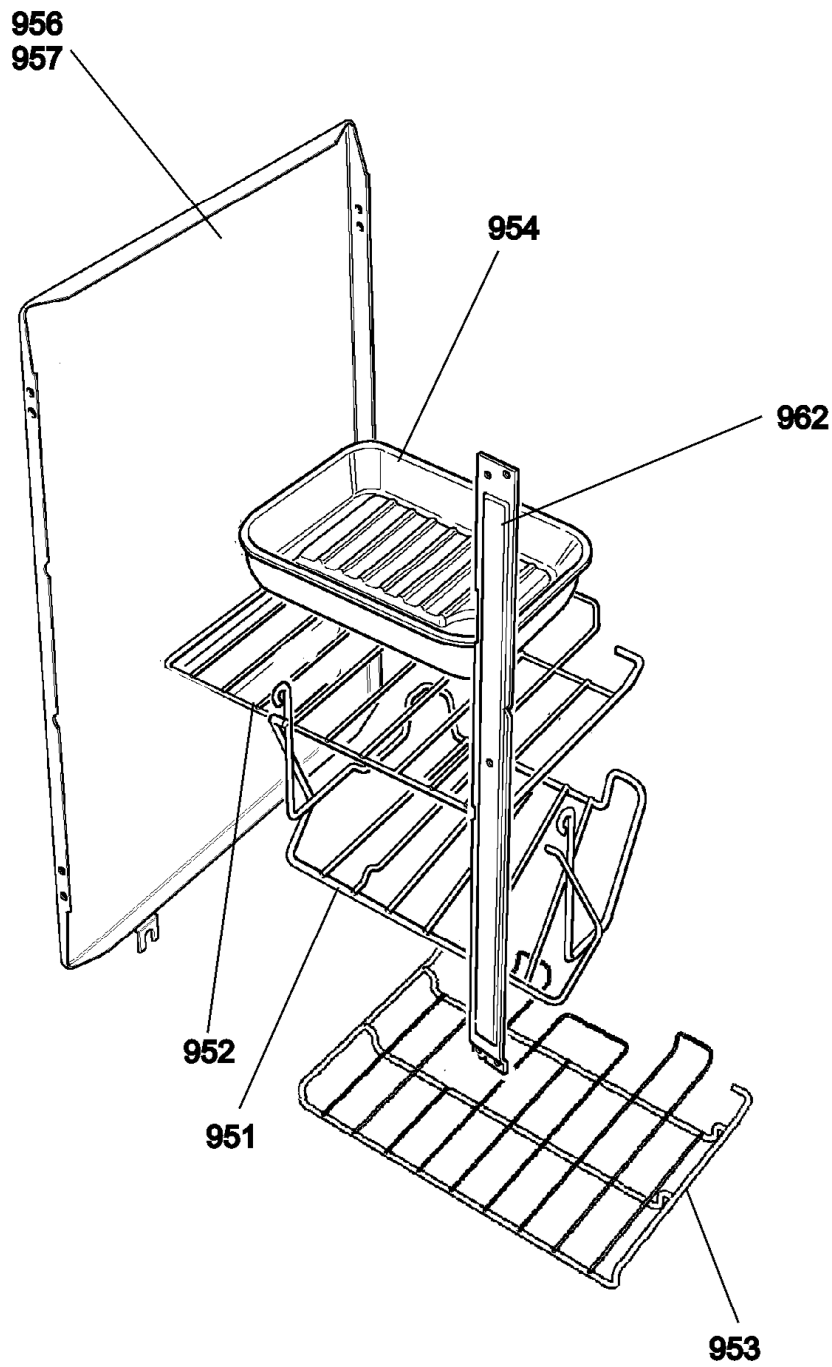


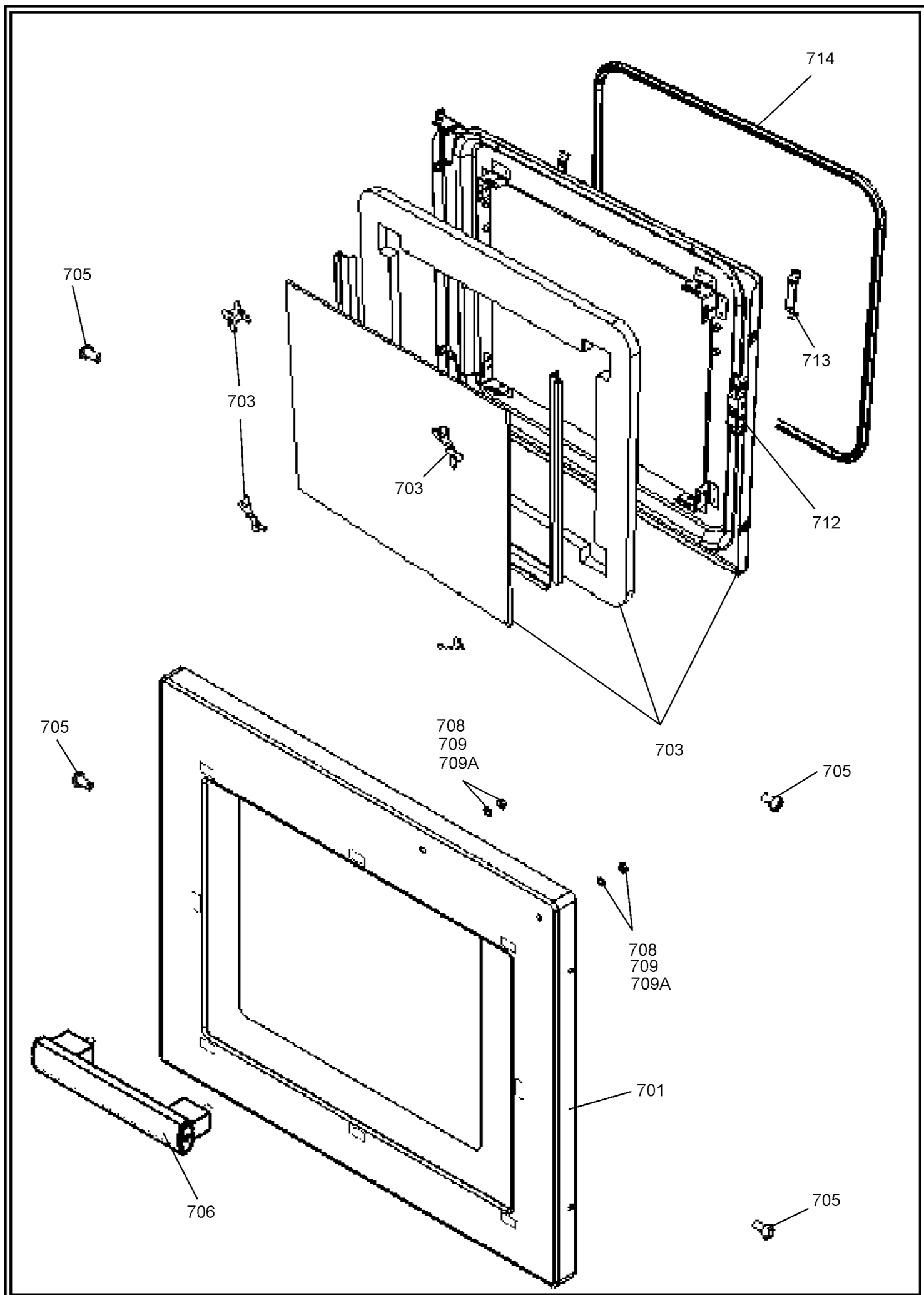
DSL0341 P06A

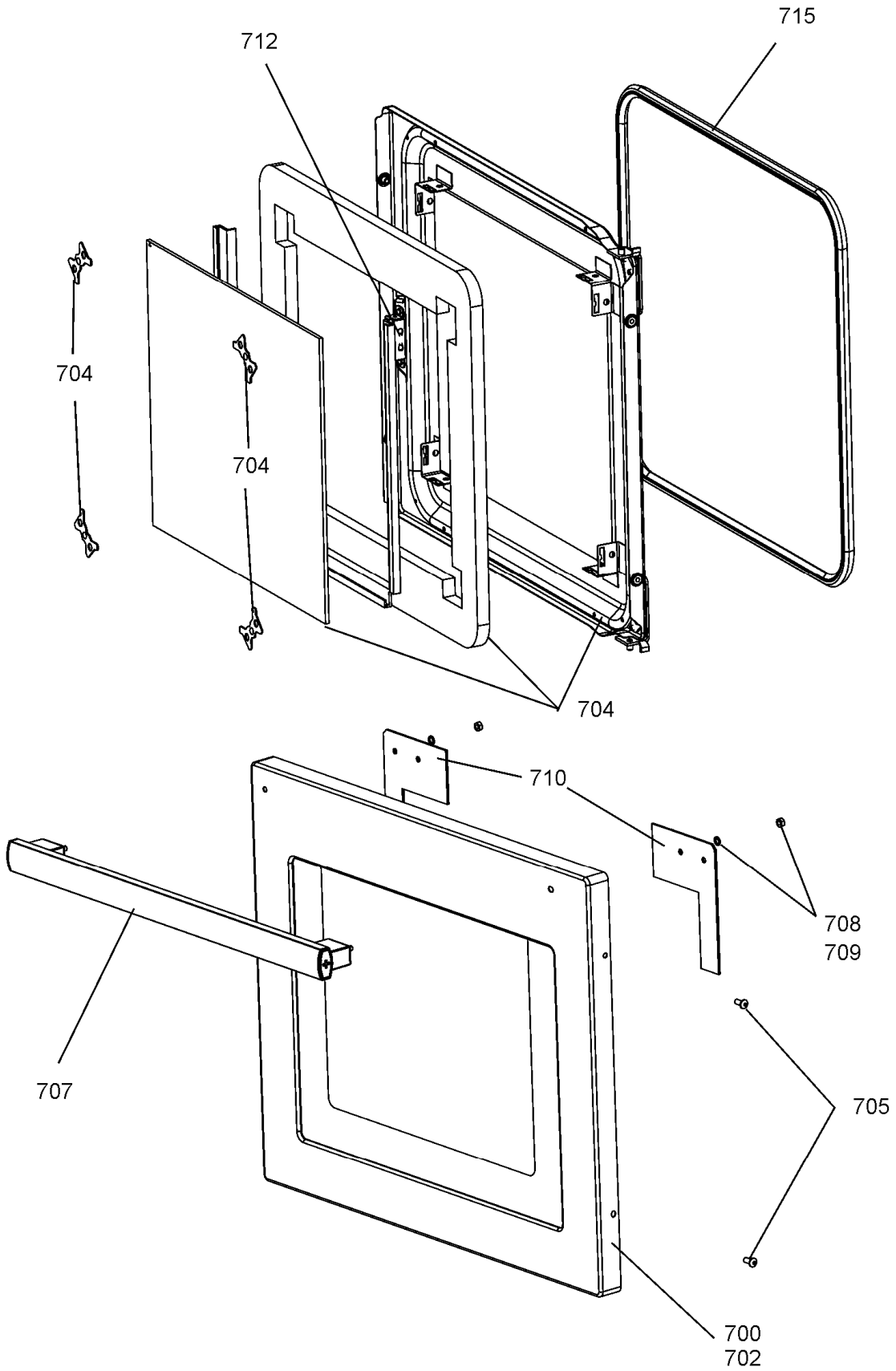
DATE 24.09.07 ISSUE STATUS 002

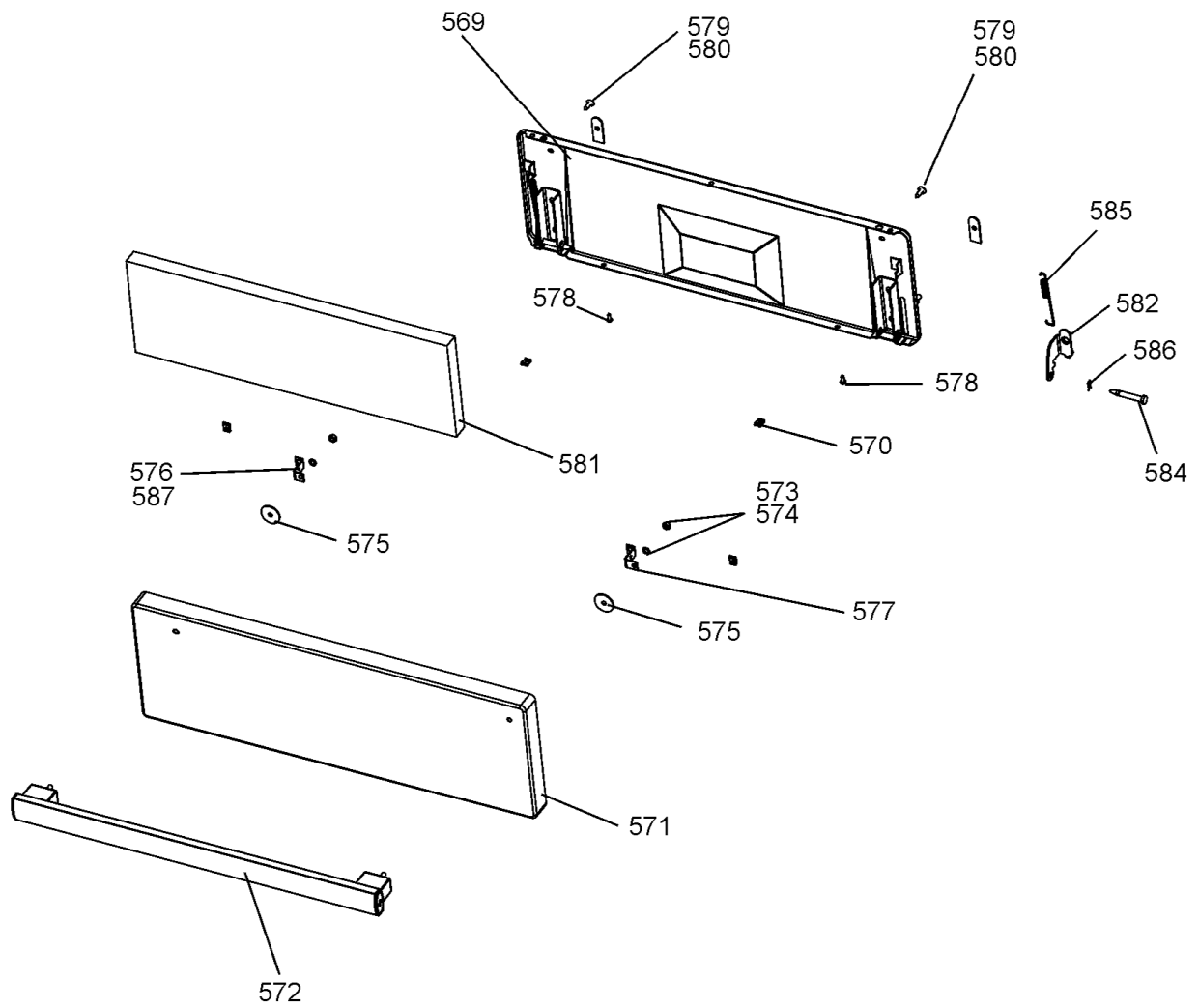


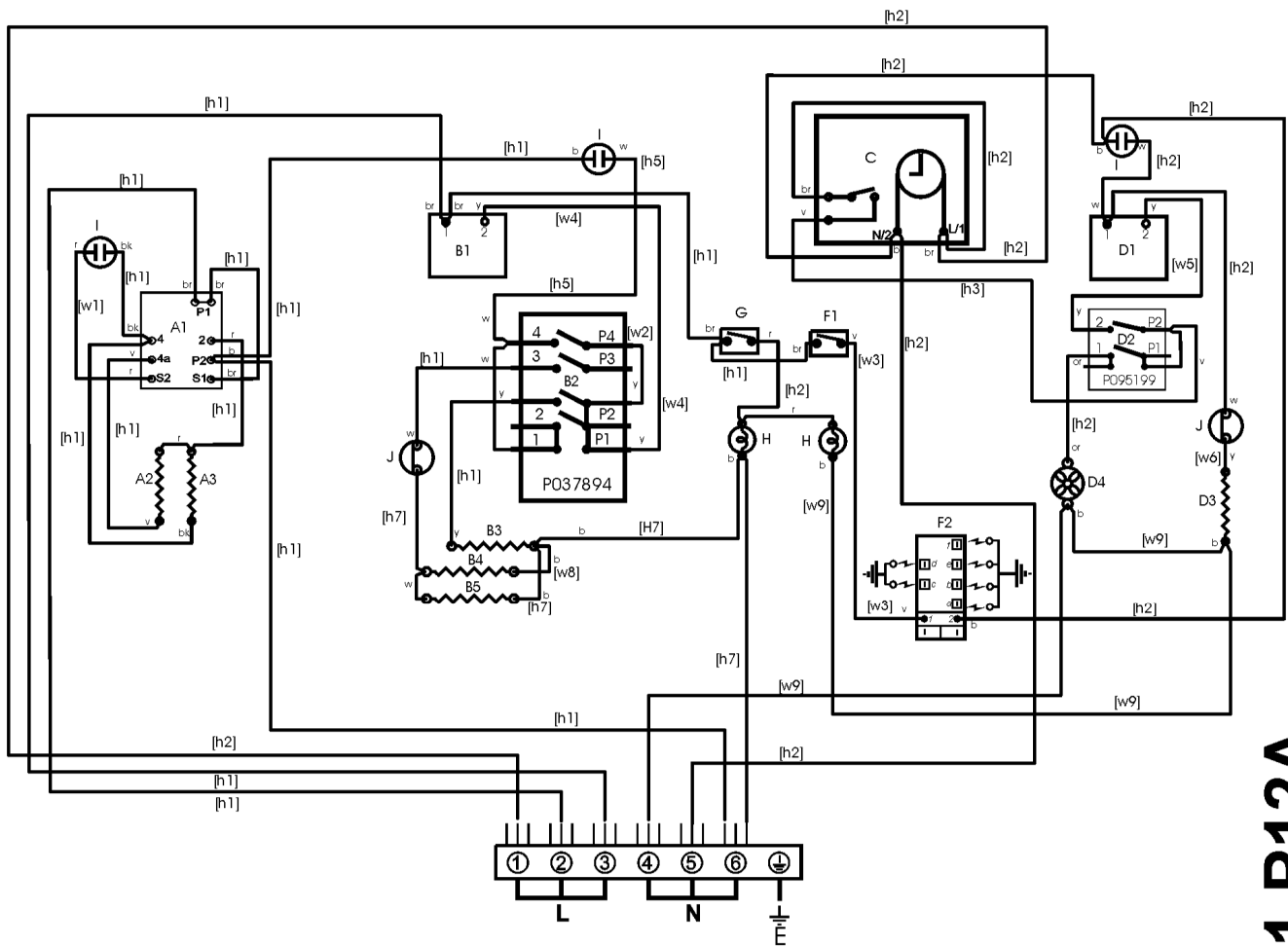












Ref Number	Part number	Quantity	Remarks
w1	P094951	1	Wire - Grill Neon to Grill Thermo - Reg Pin 52
h5	P095565	1	Harness Asse mblly - LH Oven Switch (Pin 1 to Pin 4 to Neon)
h3	P033367	1	Harness Asse mblly - Tmer Relay to RH Oven Switch (Pin 1 and Pin 2)
w10	P094943	1	Wire (NI) - Hotplate Earth to chassis
w10	P094943	1	Wire (NI) - LH Oven Thermostat Earth
w10	P094943	1	Wire (NI) - RH Oven Theromsta Earth
w14	P055374	2	Wire (NI) - Grill Element to Chassis Earth
w8	P095566	1	Wire - LH Oven Element B3 and B4 Neutral Link
w11	P025994	1	Wire (NI) - LH Oven Top element / Terminal Block / Cut Out / Oven Light Earth
w12	P095450	1	Wire - RH Oven Terminal Block / Oven Fan / Oven Light / Oven Element Earth
w9	P025995	1	Wire - RH Oven / Terminal Block / Oven Light / Element D3 Neutral
h7	A094927	1	Harness Asse mblly - LH Oven / Terminal Block / Oven Light / Element B3 and B5 Harness.
w13	P049242	1	Wire (NI) - LH Hot plate Burner Only
h2	P049939	1	Harness Asse mblly - RH Oven Harness
w3	P049315	1	Wire - Ignition switch to Spak Generator
w2	P037863	1	Wire - LH Oven Switch (Pin 2 to Pin 4)
h6	P049292	1	Harness Asse mblly (NI) - All hotplate burners except LH Rapide
h1	P037443	1	Harness Asse mblly - LH Oven Harness
w4	P037863	1	Wire - LH Oven Switch P1 to LH Oven Thermostat P2
w5	P037863	1	Wire - RH Oven Switch Pin 2 to RH Oven Thermostat Pin 2
w6	P037863	1	Wire - RH Oven Thermal Cut Out to RH Element

NI Not Illustrated
w - Single Cable / Single Cable with multiple terminations
h - Harness Assembly (Including Single Wires that are Sheathed)

Code	Description
A1	Grill energy regulator
A2	Grill element left hand side
A3	Grill element right hand side
B1	Left hand oven thermostat
B2	Left hand oven switch
B3	Left hand oven browning element
B4	Left hand oven top element
B5	Left hand oven bottom element

Code	Description
D1	Right hand oven thermostat
D2	Right hand oven switch
D3	Right hand oven element
D4	Right hand oven fan
F1	Spark ignition switch
F2	Spark generator
G	Light switch
H	Ligh Left hand / Right hand
I	Neon indicator
J	Thermal cut out

Code	Colour
b	Blue
br	Brown
bk	Black
or	Orange
r	red
v	violet
w	White
y	yellow
gr	Grey

PROFESSIONAL PLUS 110
DF/NG FSD

DSL0341 P12A

FROM SERIAL NUMBER 6000

ISSUE STATUS 01 DATE 25.01.10