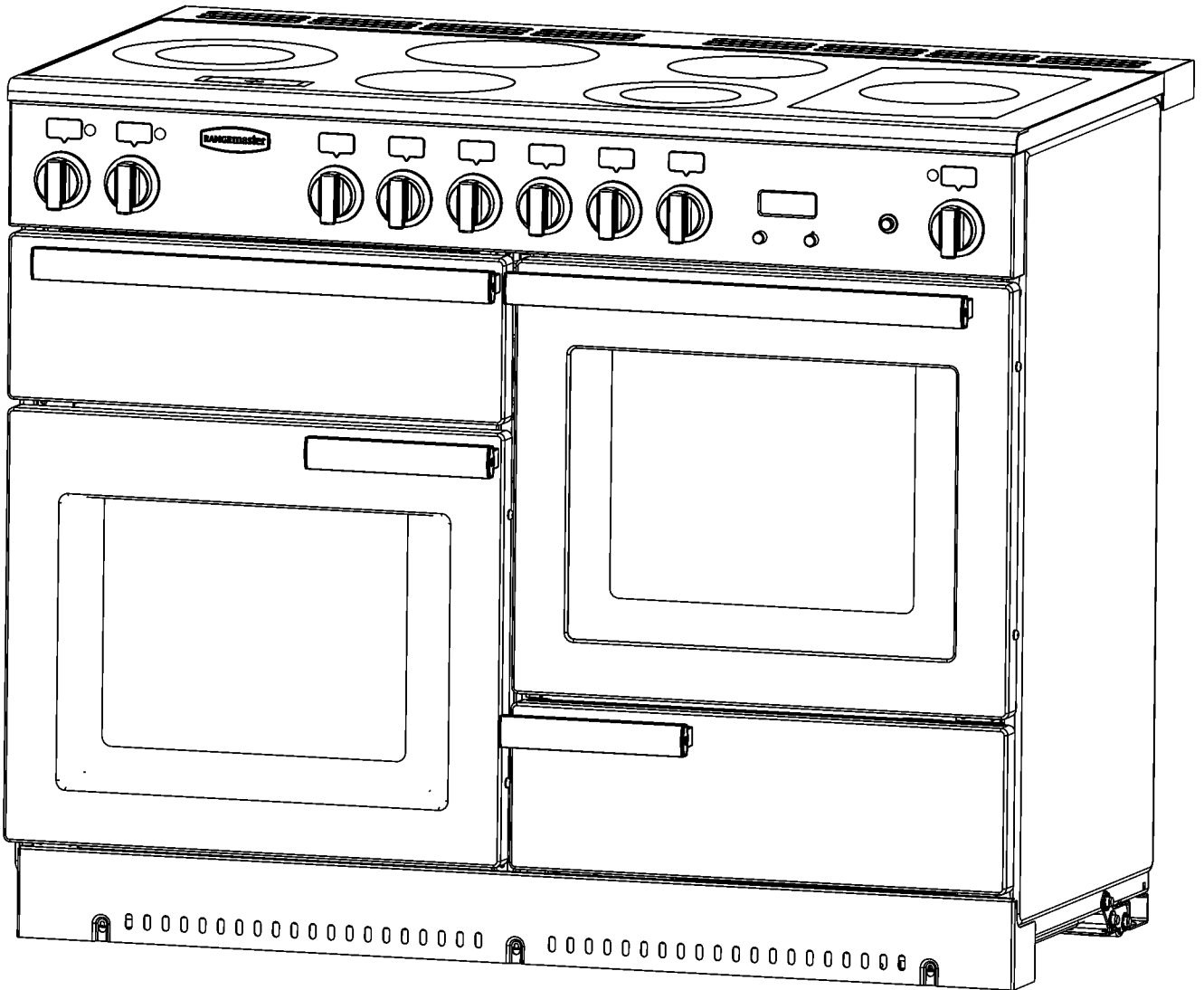
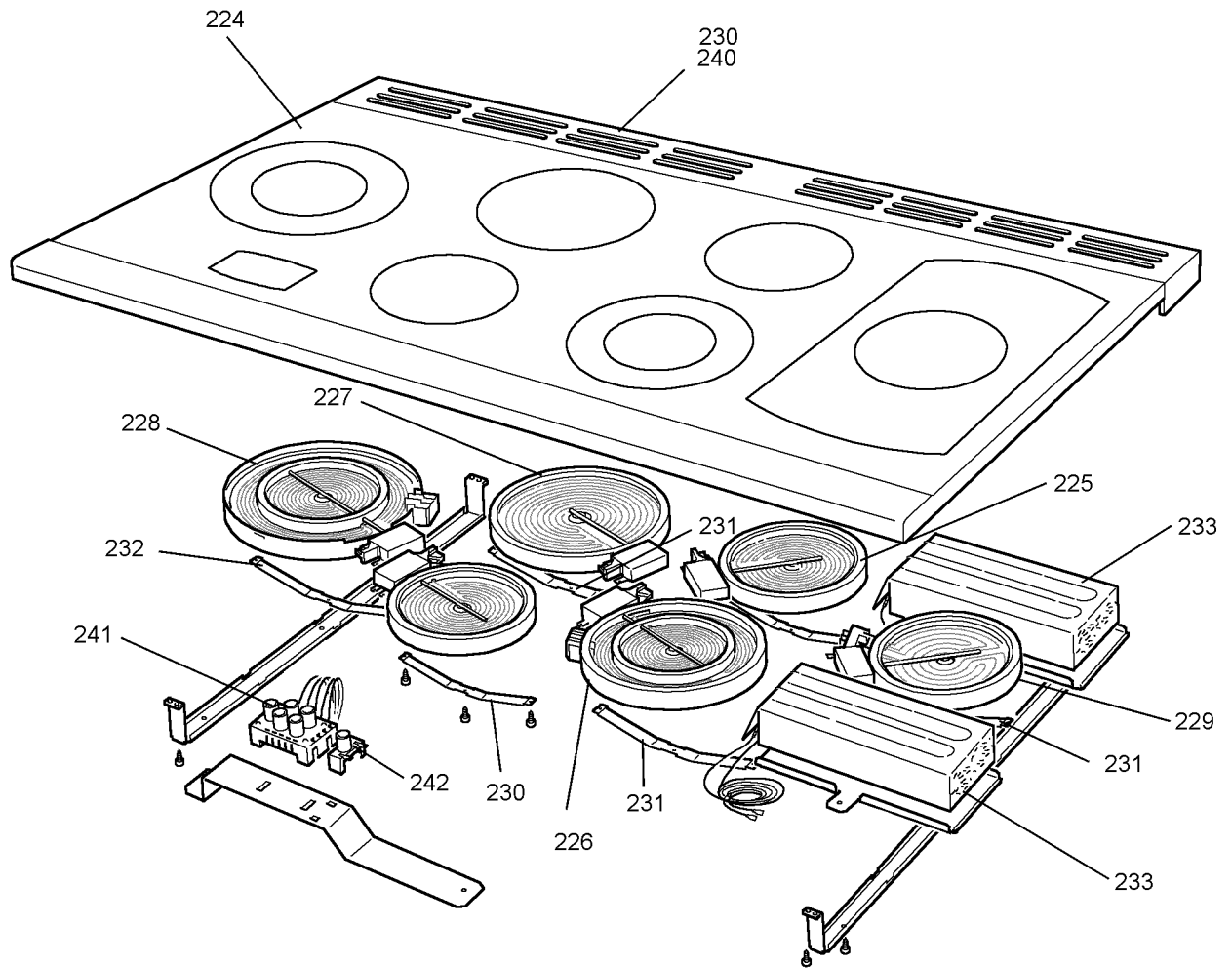


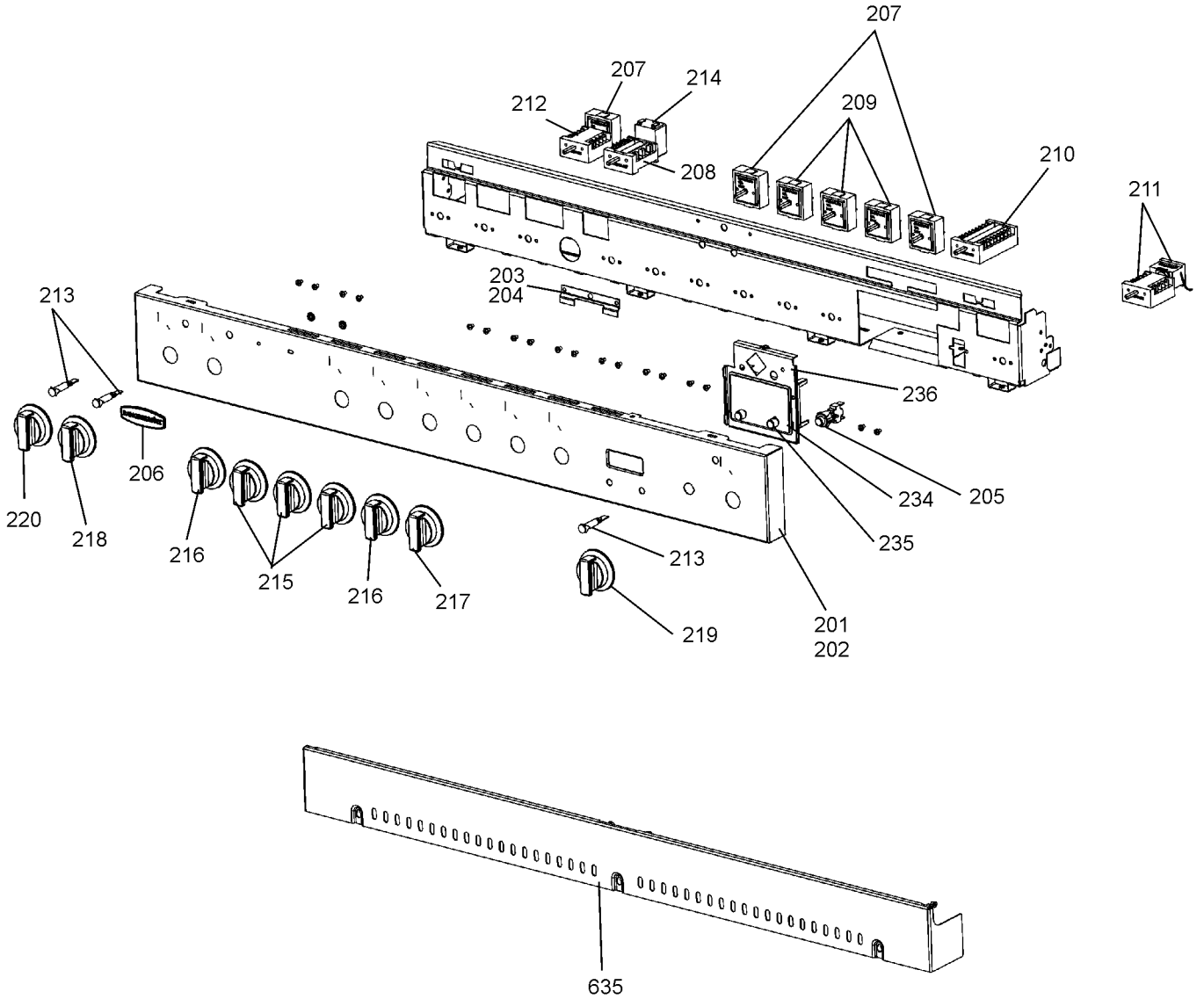
APPLIANCE NAME:
PROFESSIONAL 110 CERAMIC

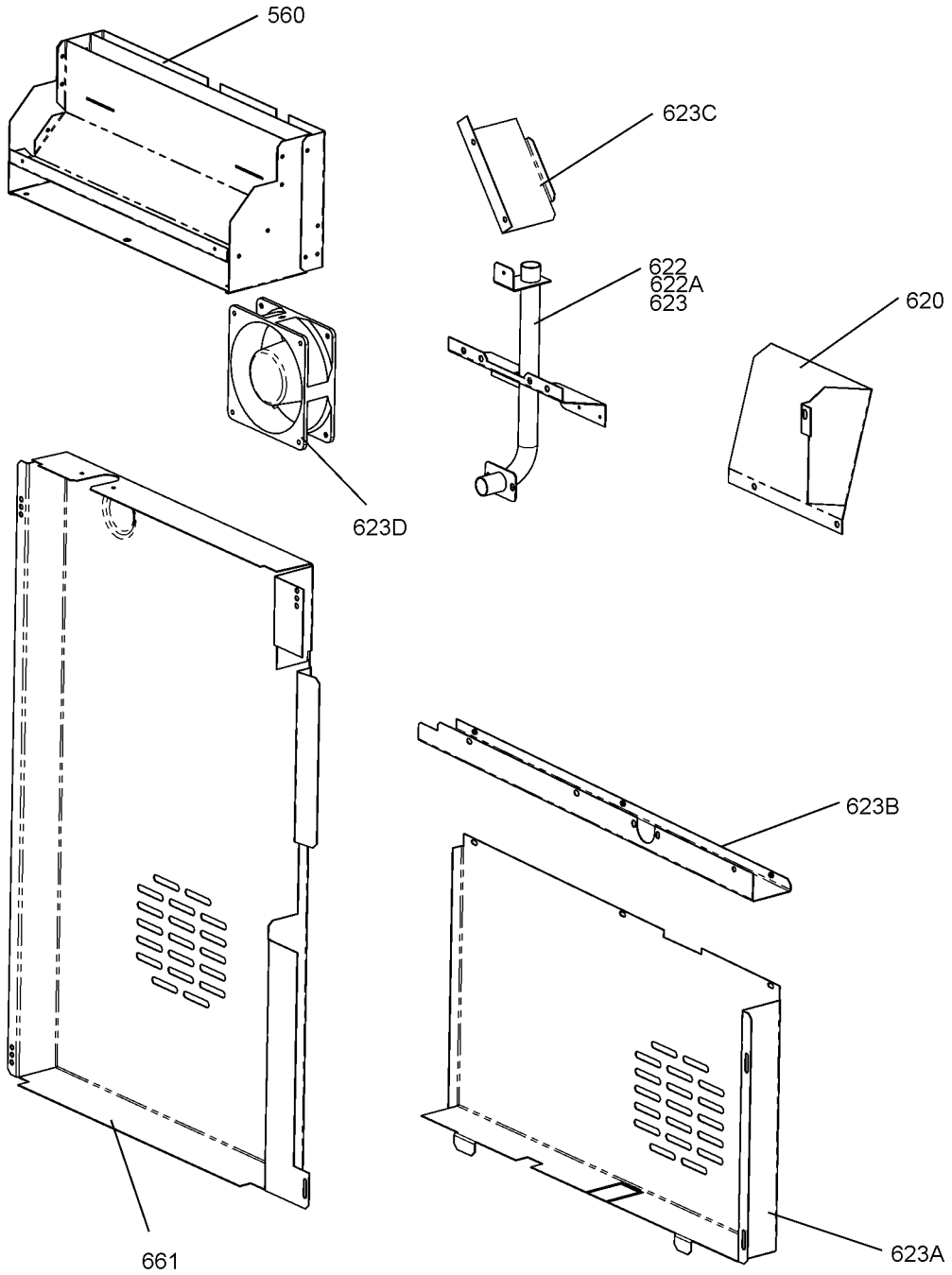
DATE 06.09.07

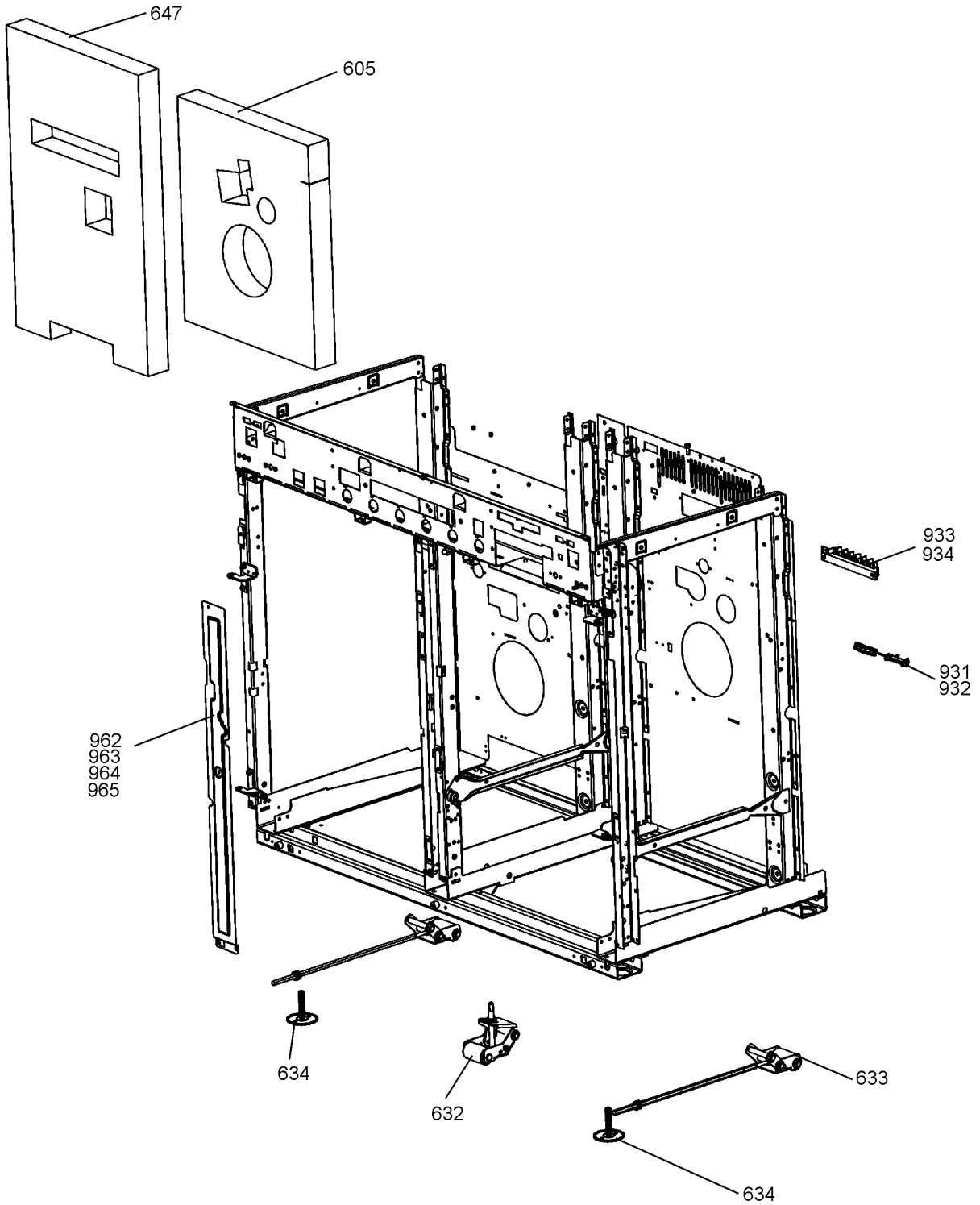
DSL0351 P00
ISSUE STATUS 01

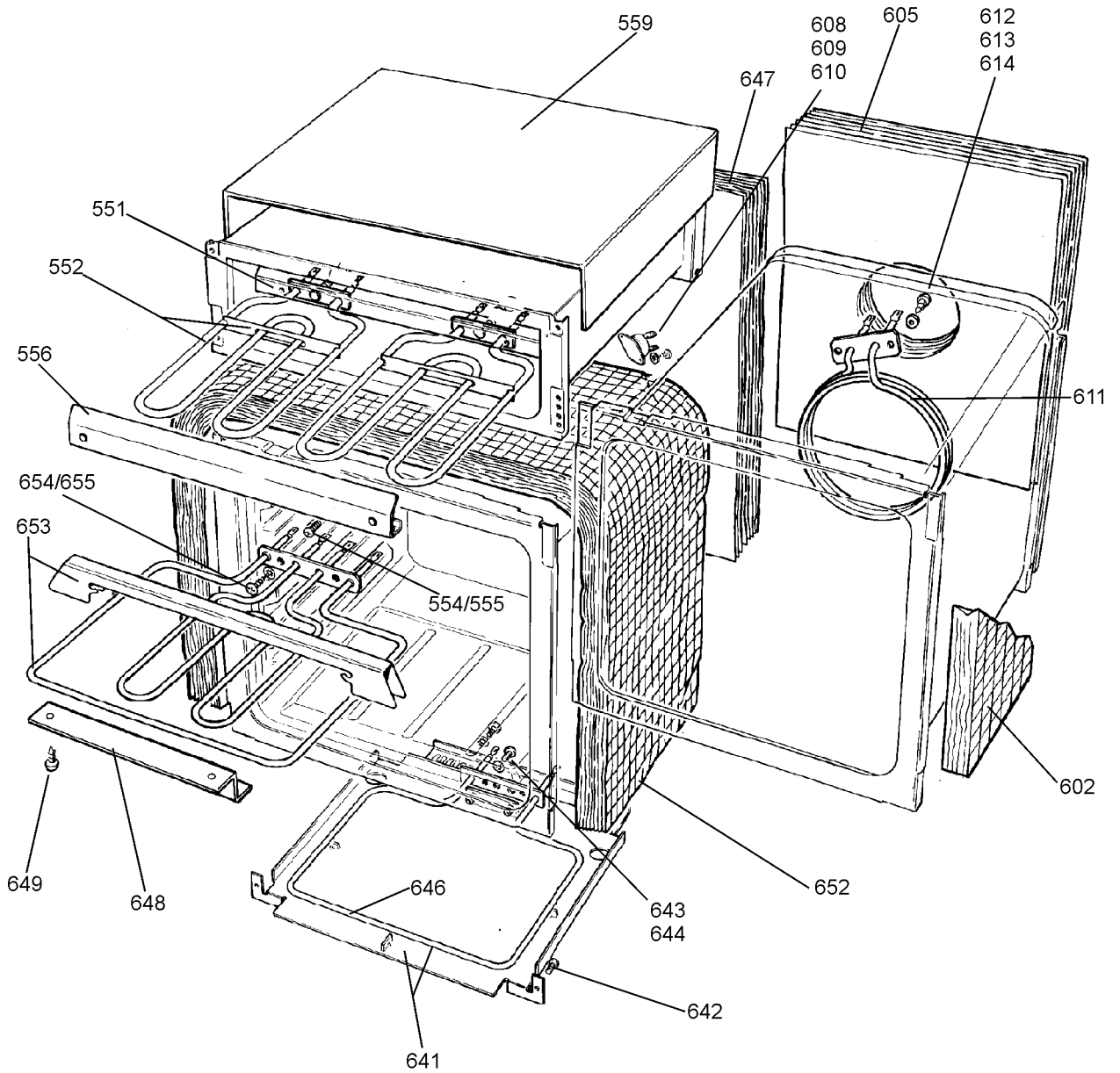


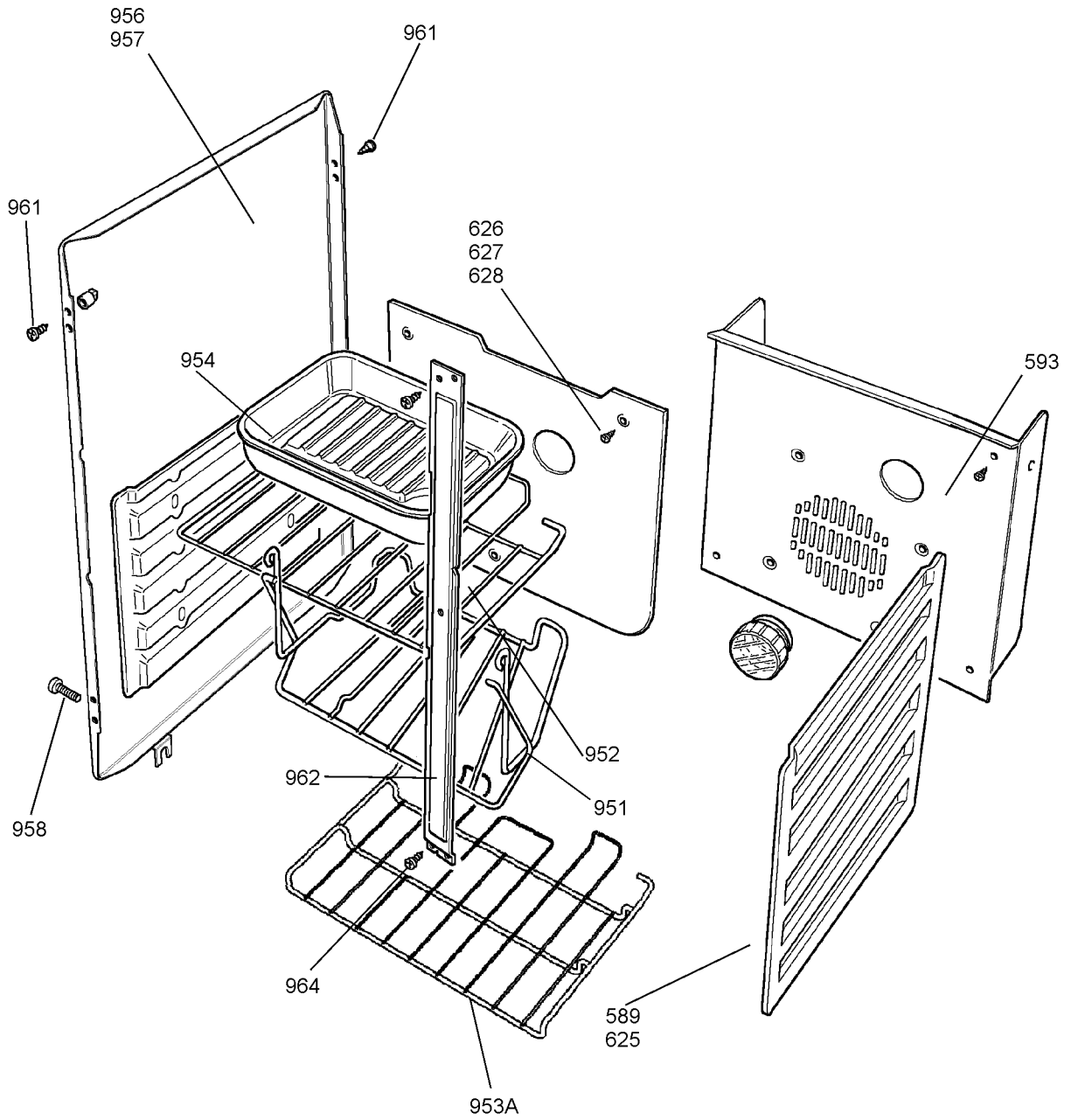


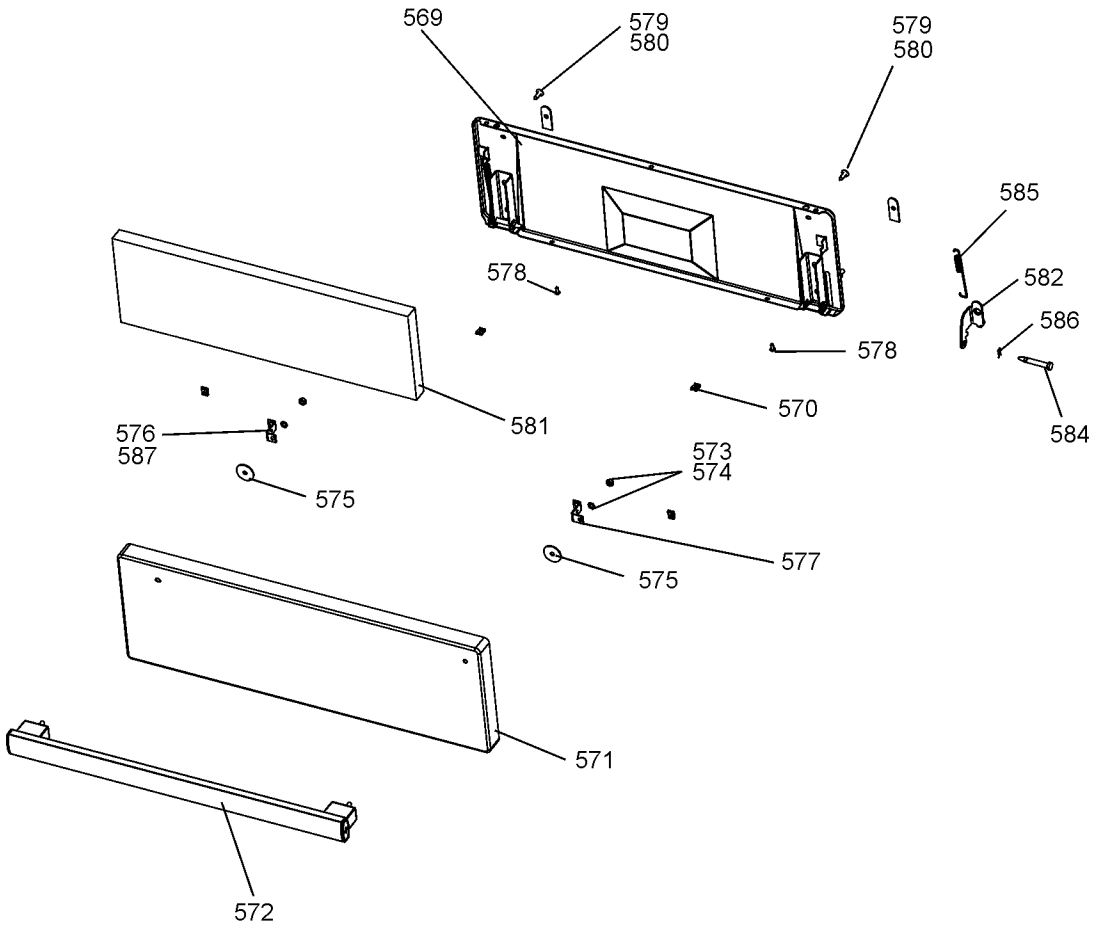


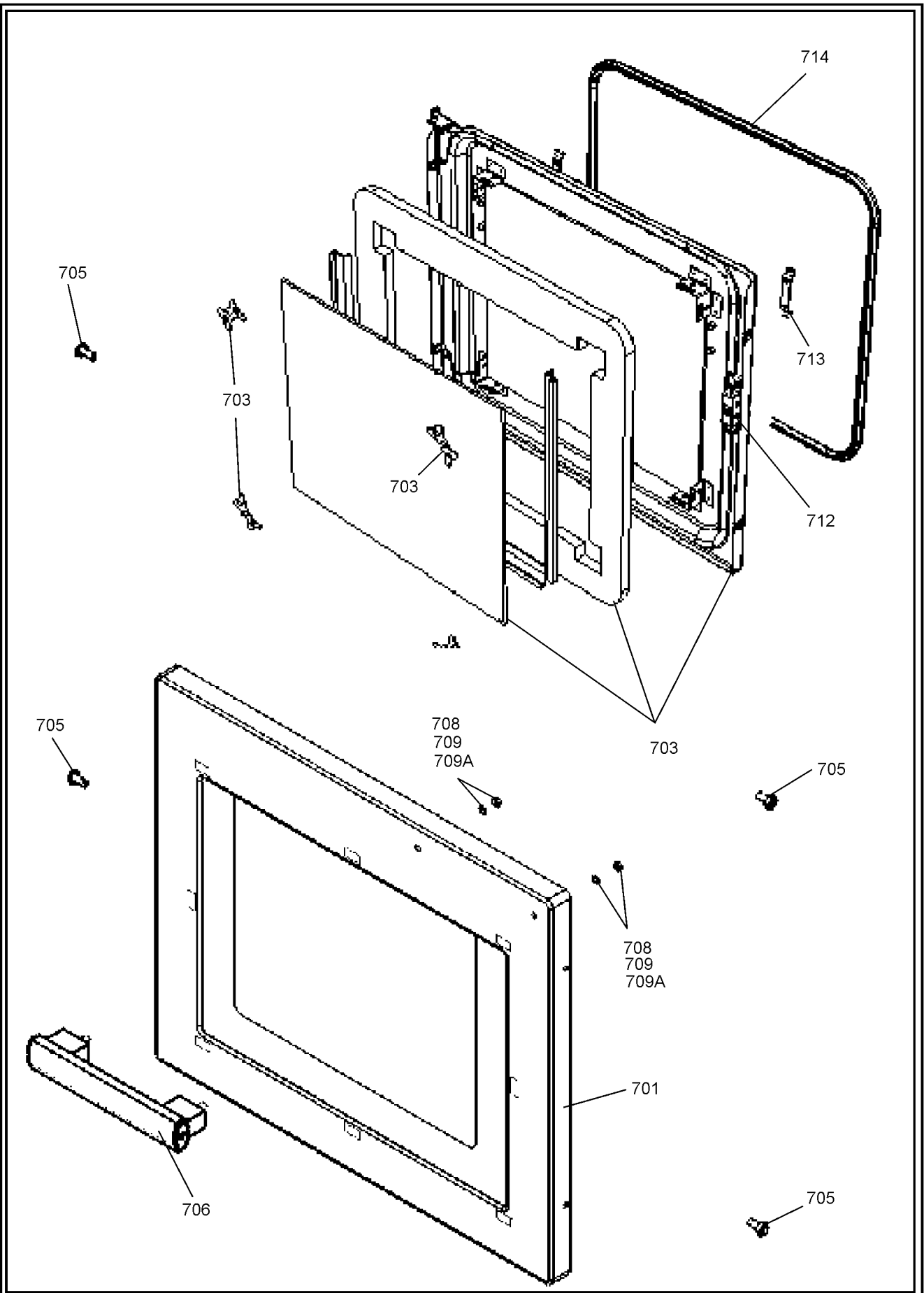


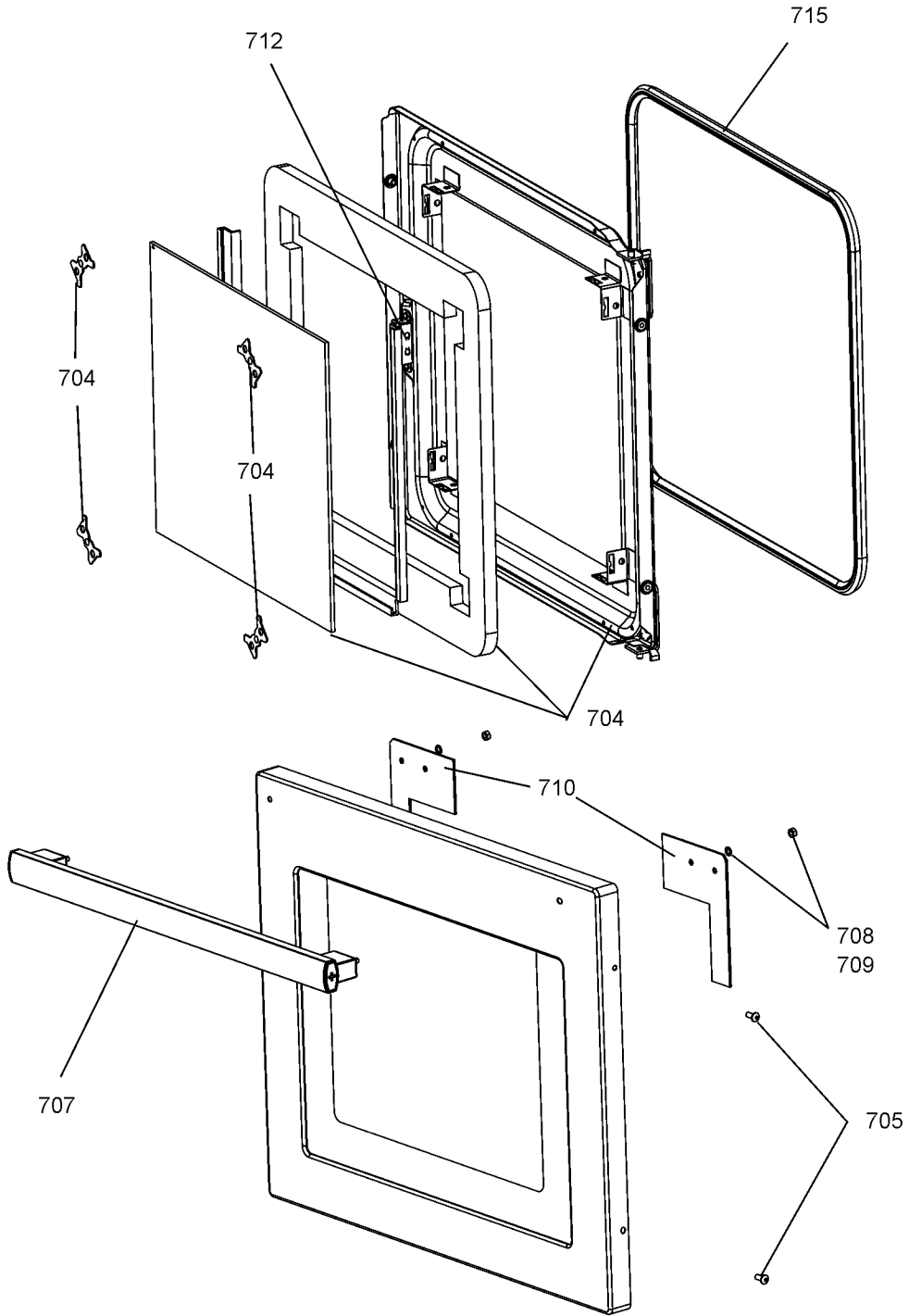












ALL MODELS
FROM SER No

DSL0351 P09
DATE 06.09.07 ISSUE STATUS 001

