

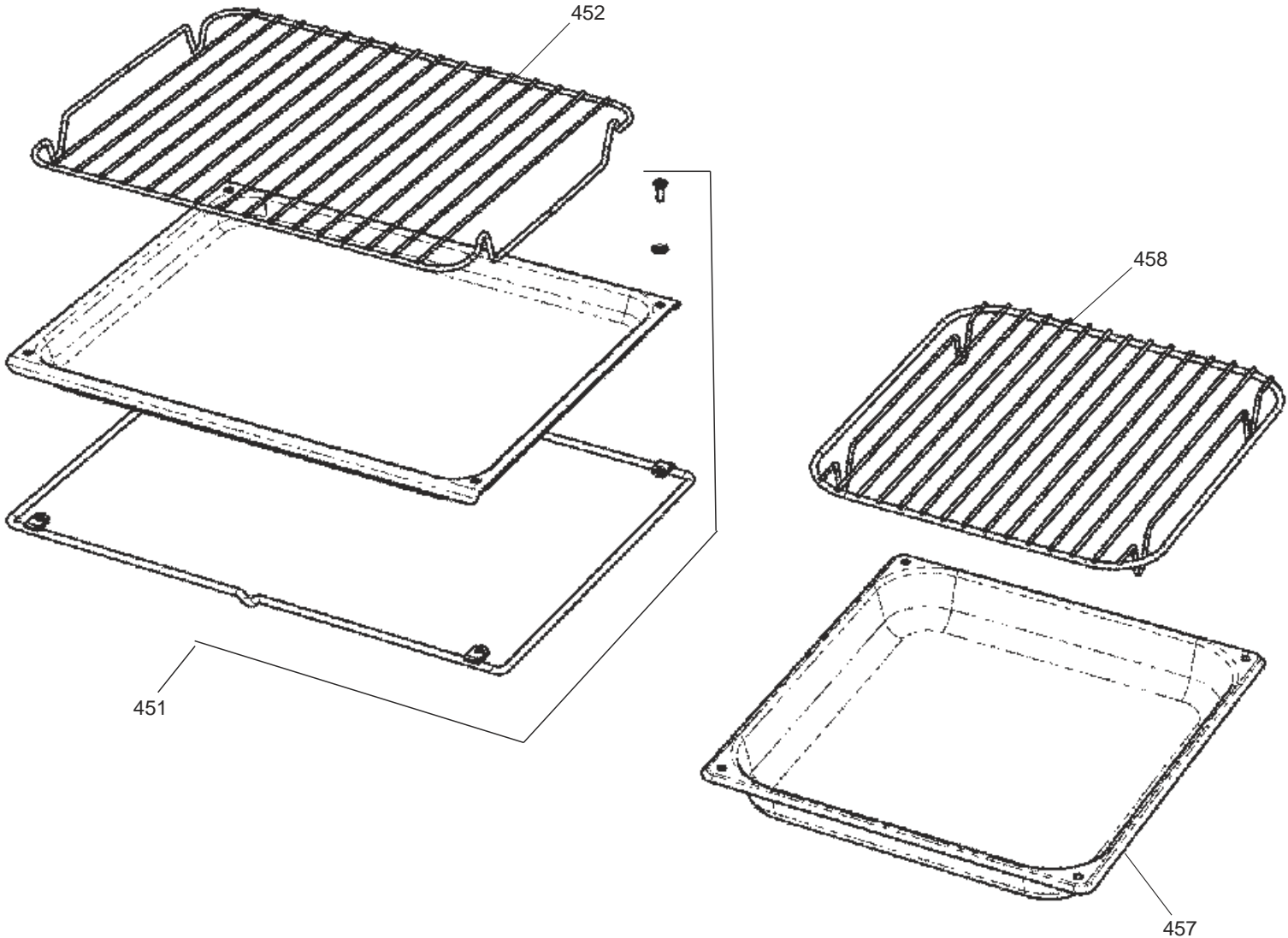
**PROFESSIONAL PLUS 100 FX
DF**

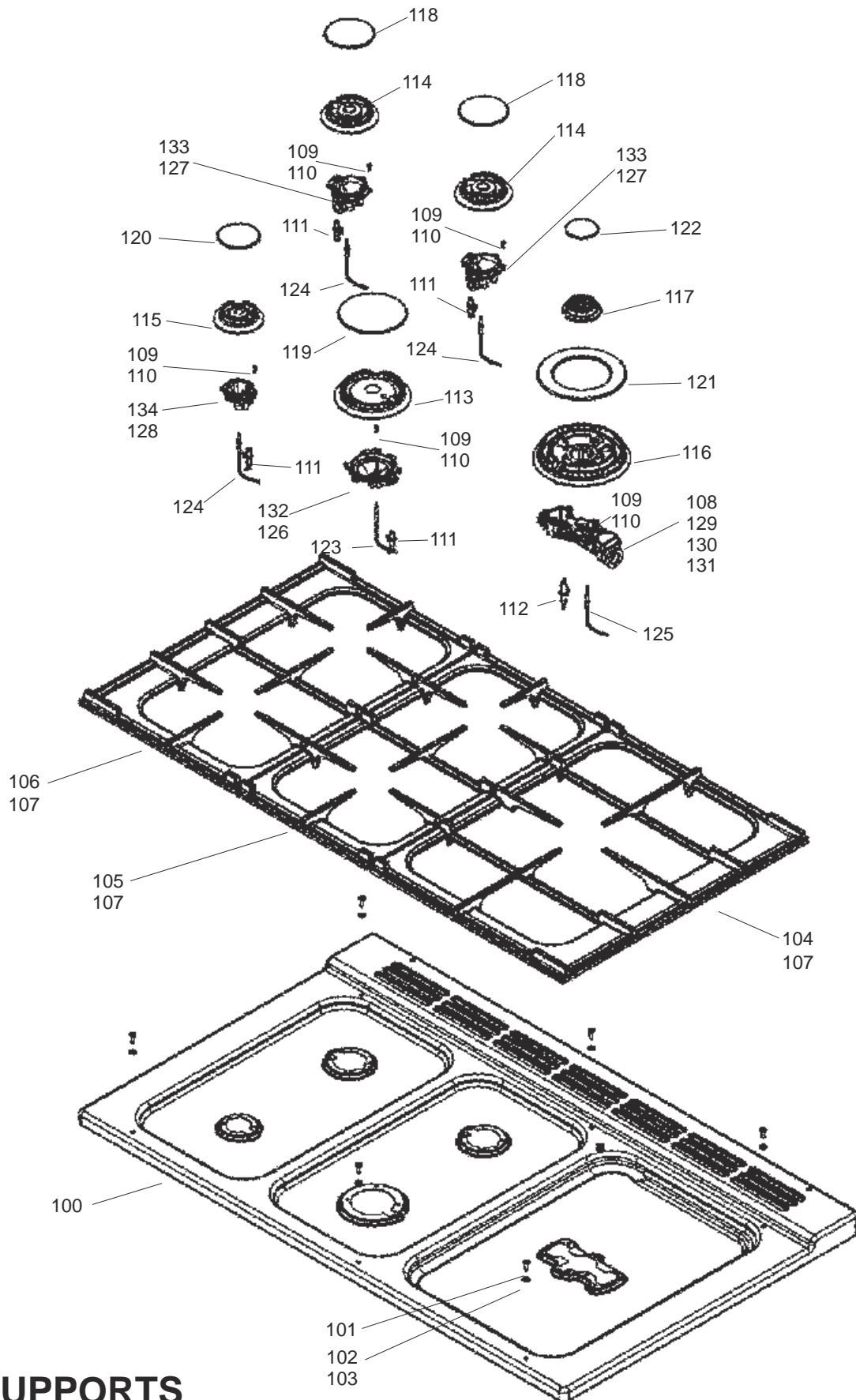
DSL0519 P00

ISSUE STATUS 01

DATE 17.07.12



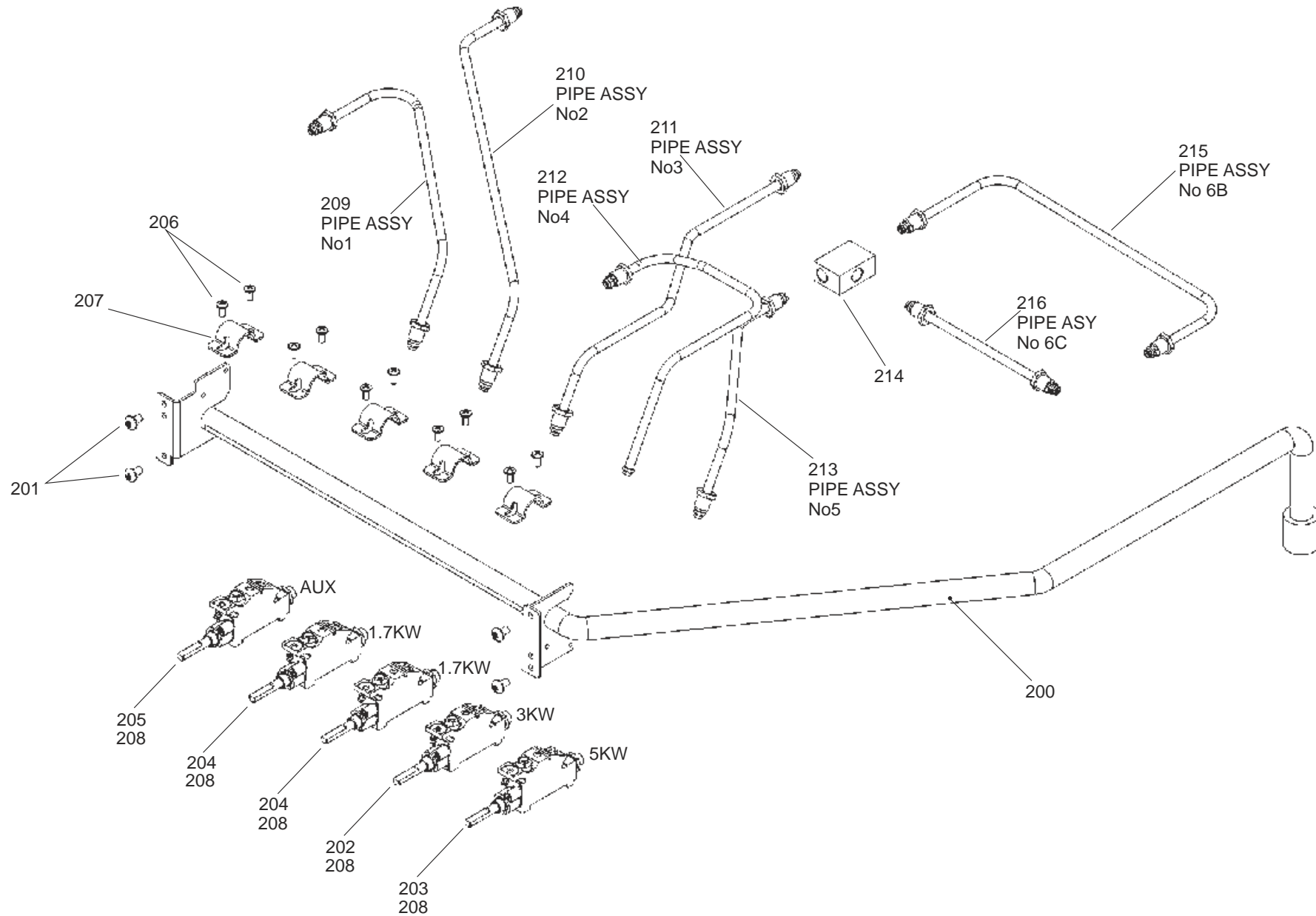




**PAN SUPPORTS
BURNERS & HOTPLATE ASSEMBLY**

PROFESSIONAL PLUS 100 FX DF

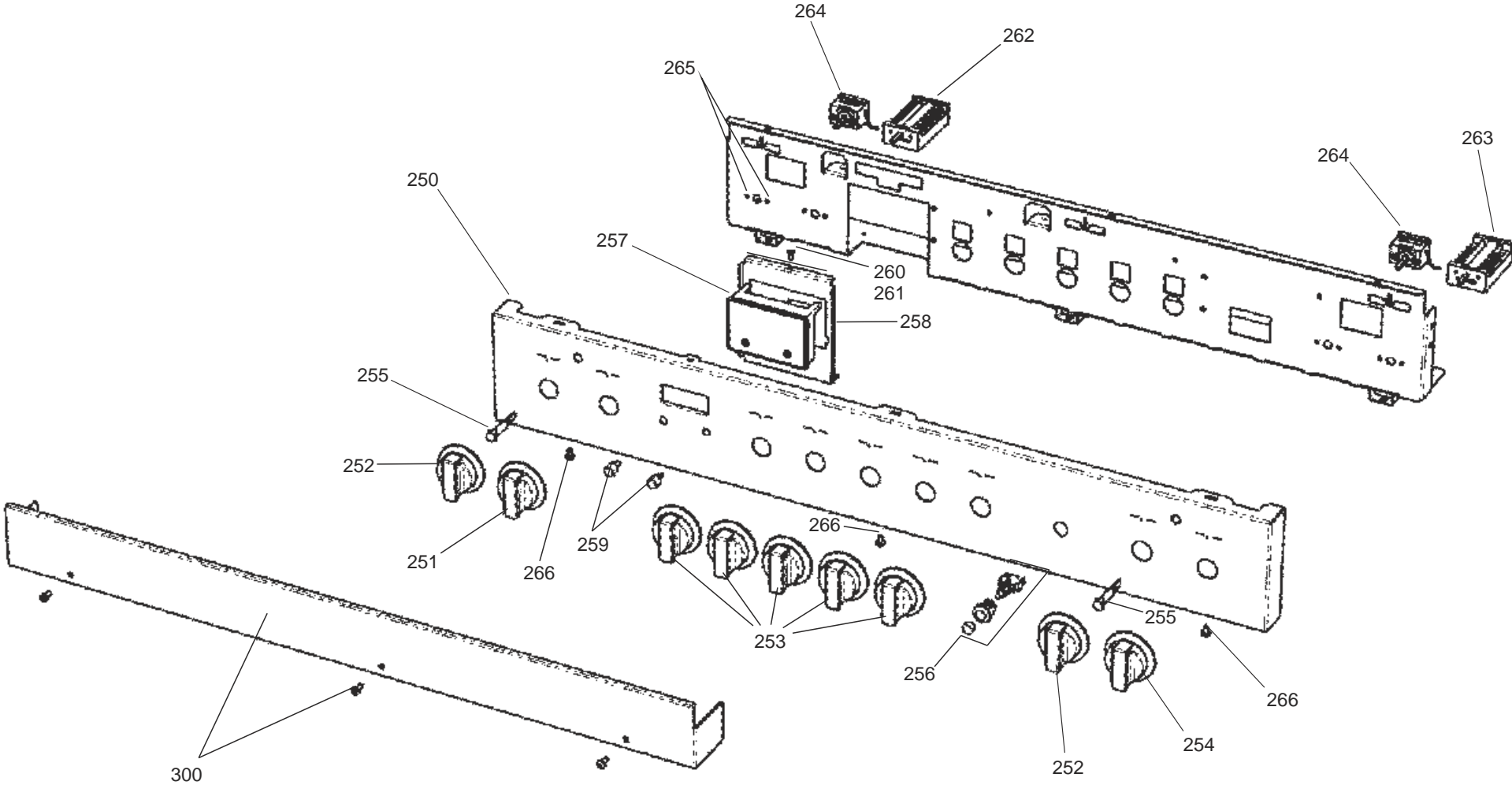
DSL0519 P03
DATE 17.07.12 ISSUE STATUS 01



GAS RAIL - TAPS - INJECTORS AND PIPES

PROFESSIONAL PLUS 100 FX DF

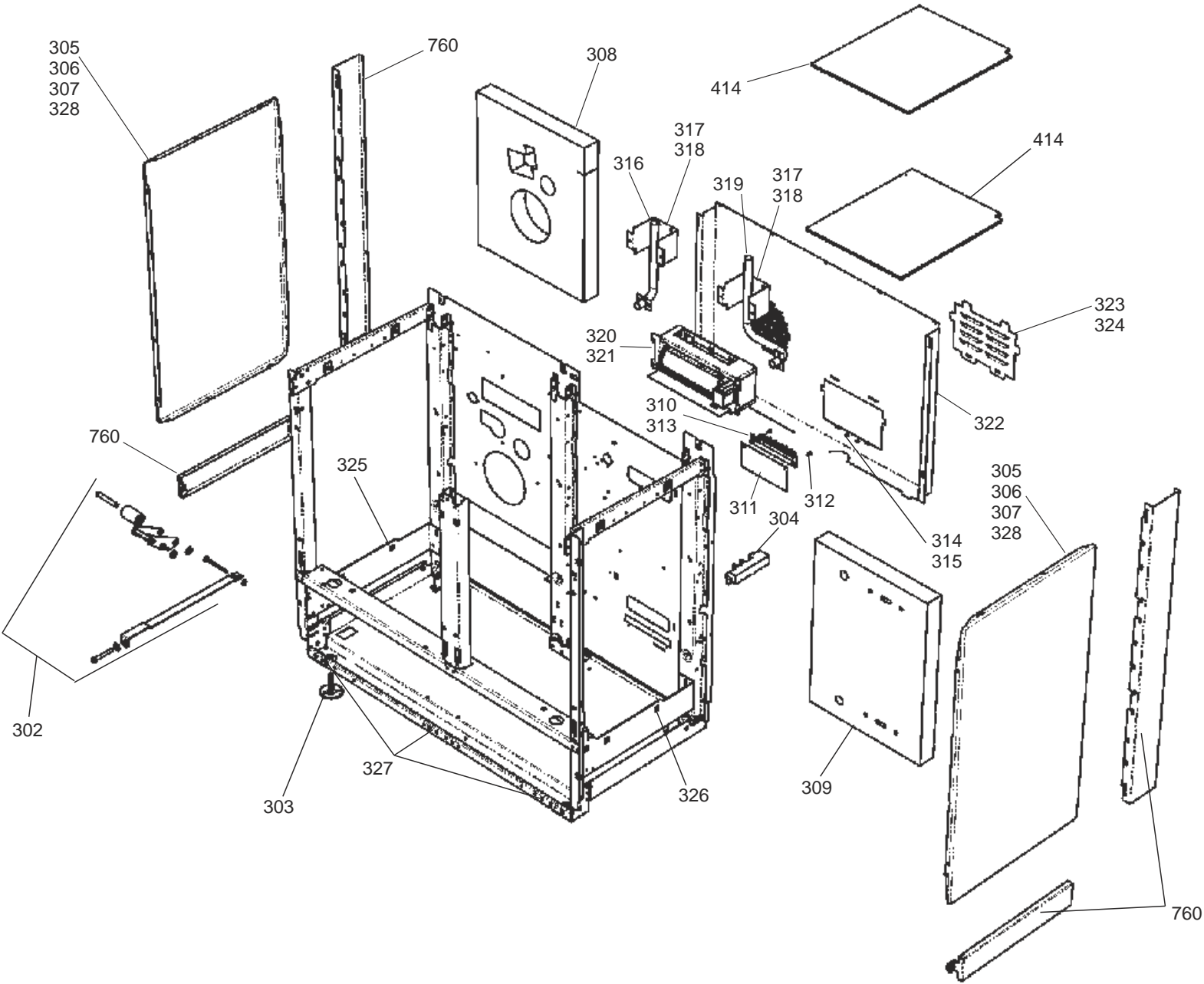
DSL0519 P04
DATE 06.12.12 ISSUE STATUS 02



FACIA ASSEMBLY AND PLINTH

PROFESSIONAL PLUS 100 FX

DSL0519 P05
DATE 06.12.12 ISSUE STATUS 02

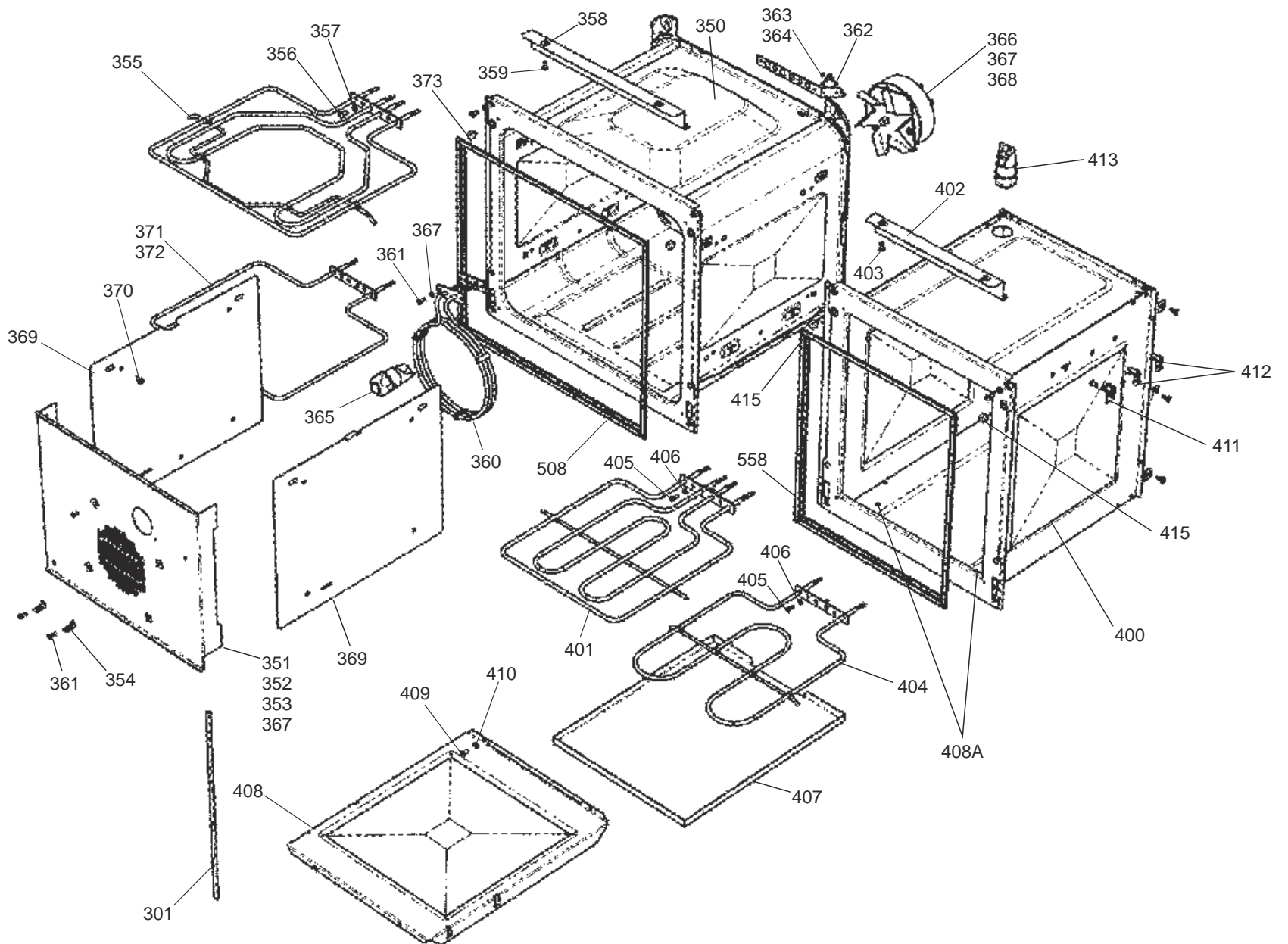


CHASSIS AND FRAME ASSEMBLY

PROFESSIONAL PLUS 100 FX DF

DSL0519 P06

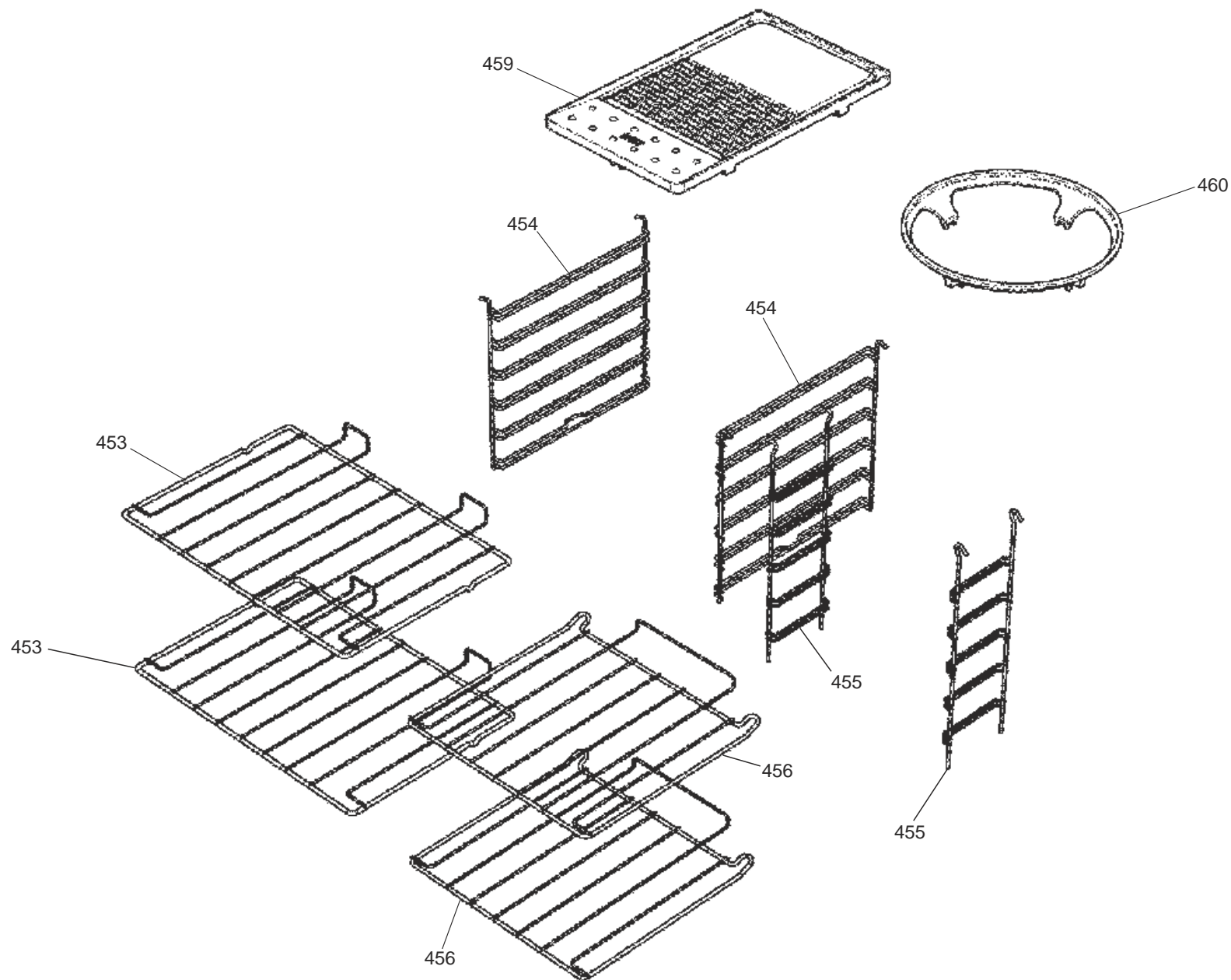
DATE 06.12.12 ISSUE STATUS 03



LH OVEN AND RH OVEN

PROFESSIONAL PLUS 100 FX DF

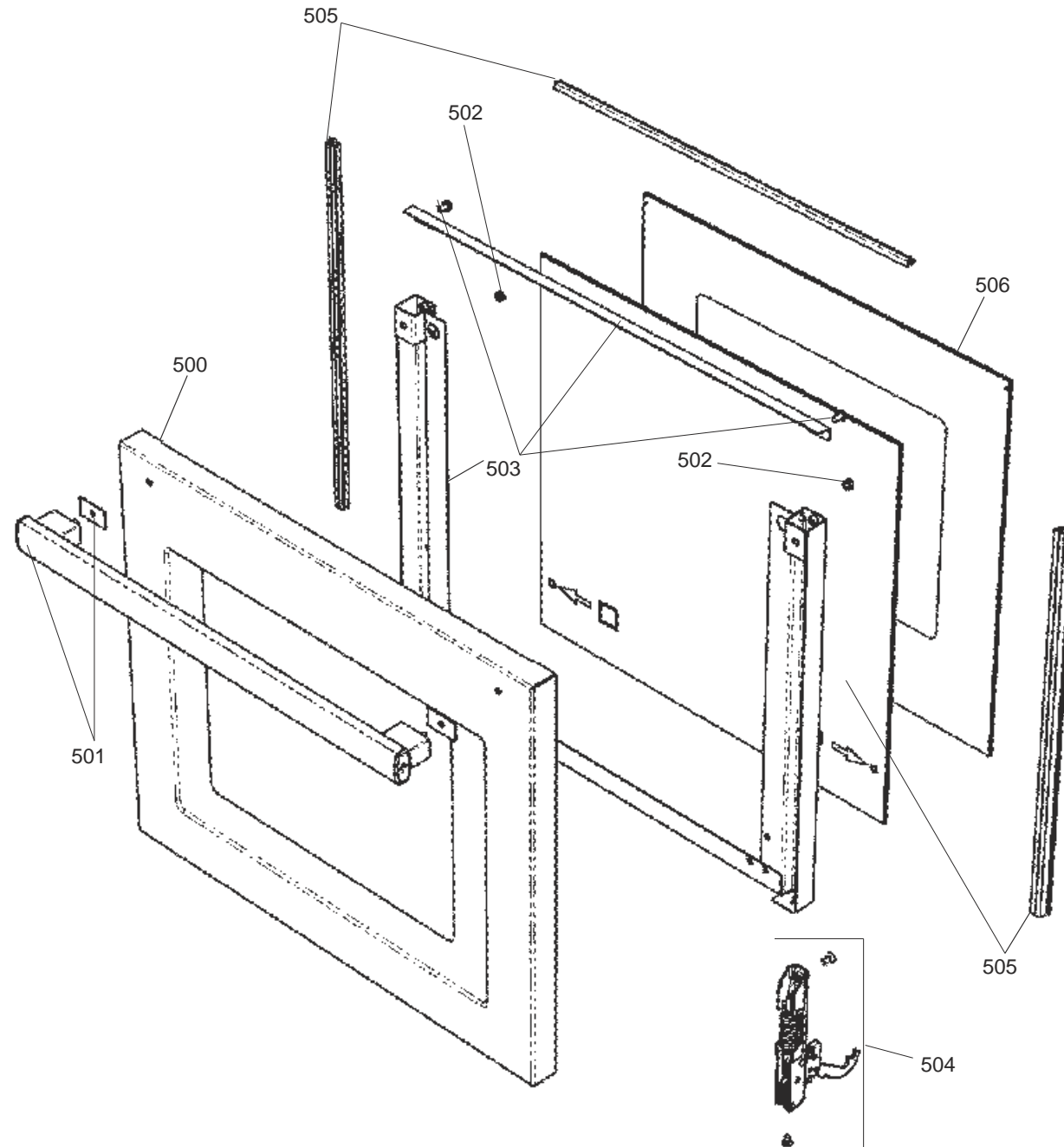
DSL0519 P07
DATE 17.07.12 ISSUE STATUS 01



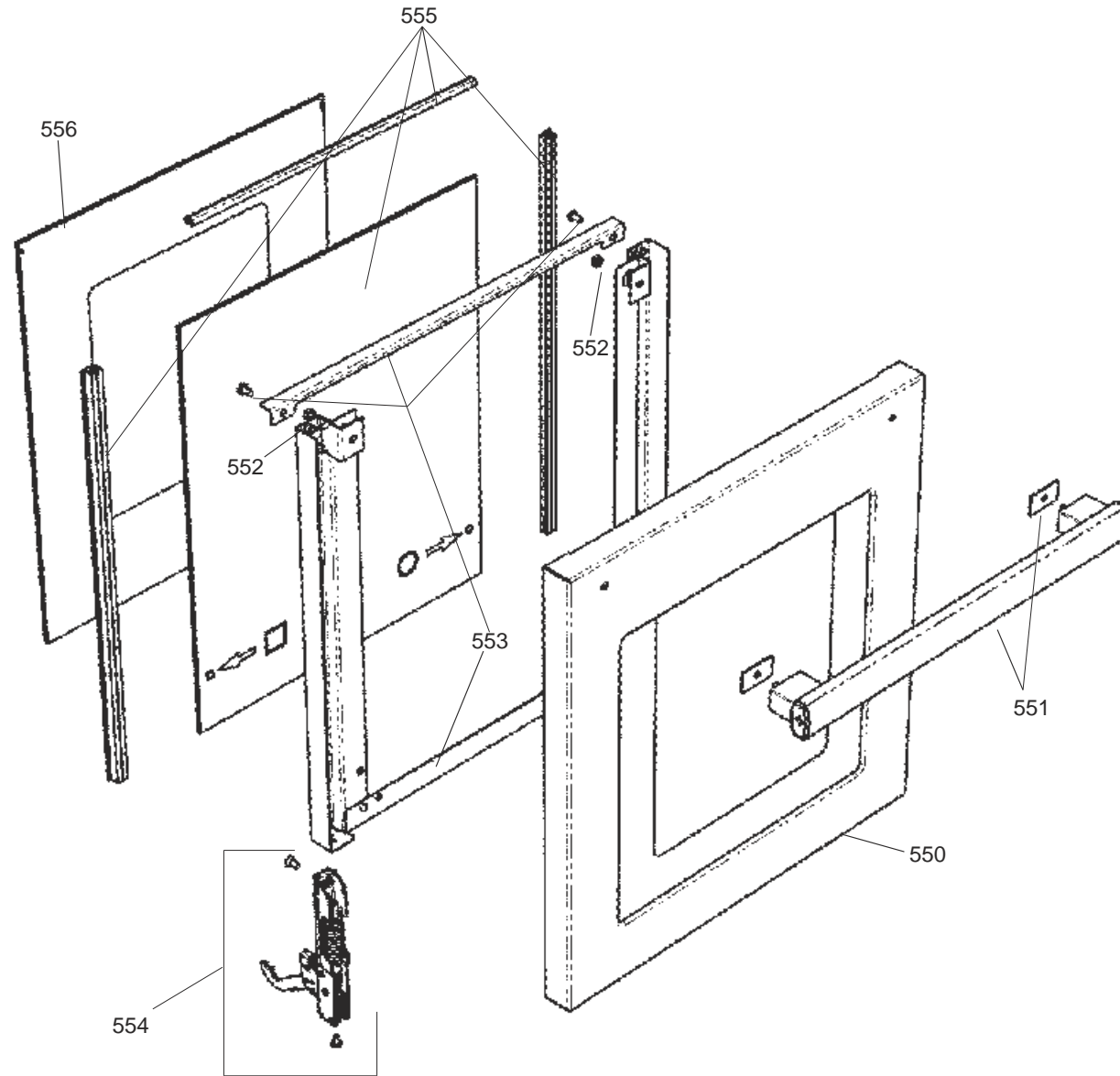
ACCESSORIES - OVEN - GRILL AND HOB FURNITURE

**PROFESSIONAL PLUS
100 FX DF**

DSL0519 P08
DATE 17.07.12 ISSUE STATUS 01

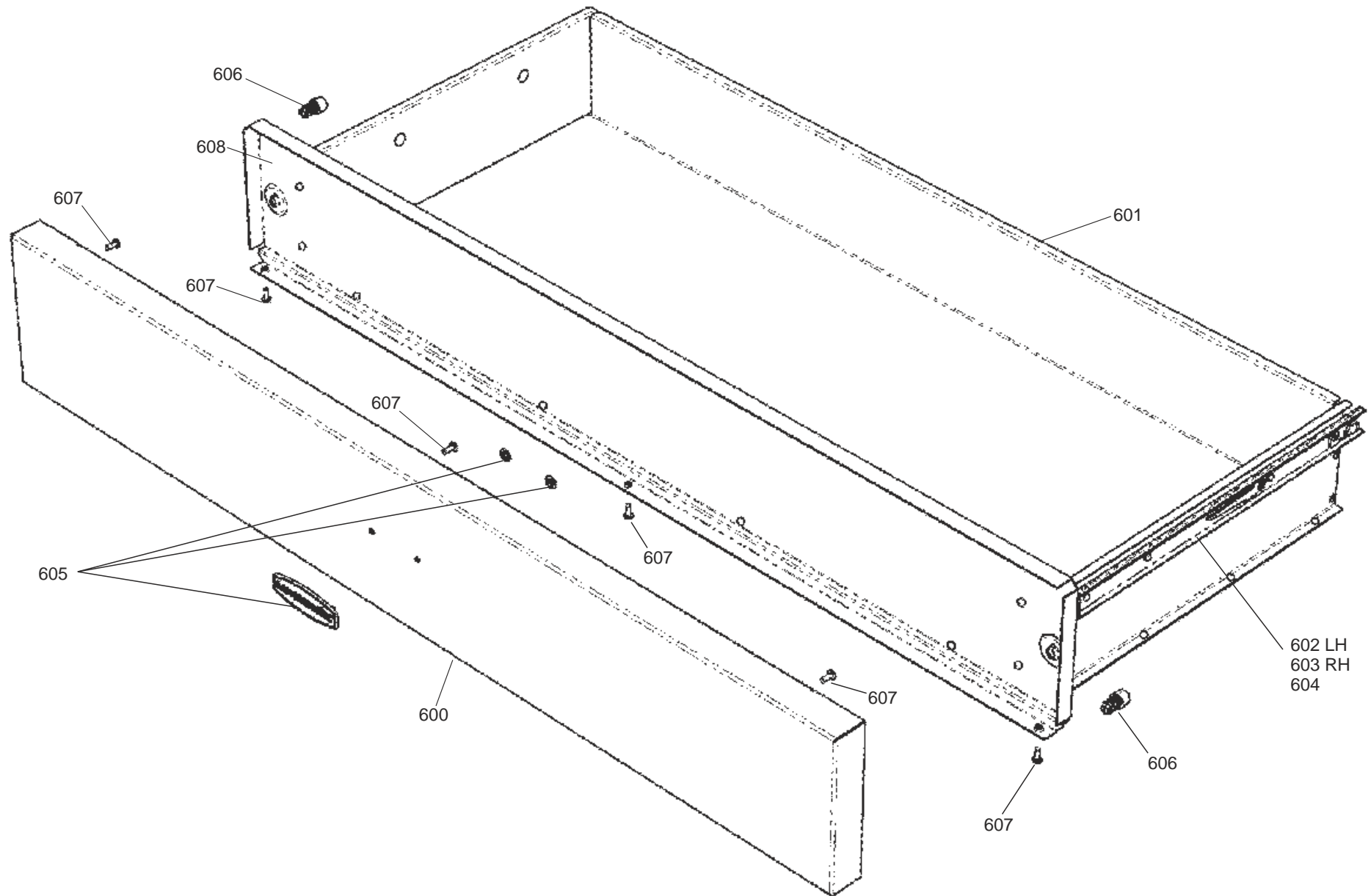


LH OVEN DOOR

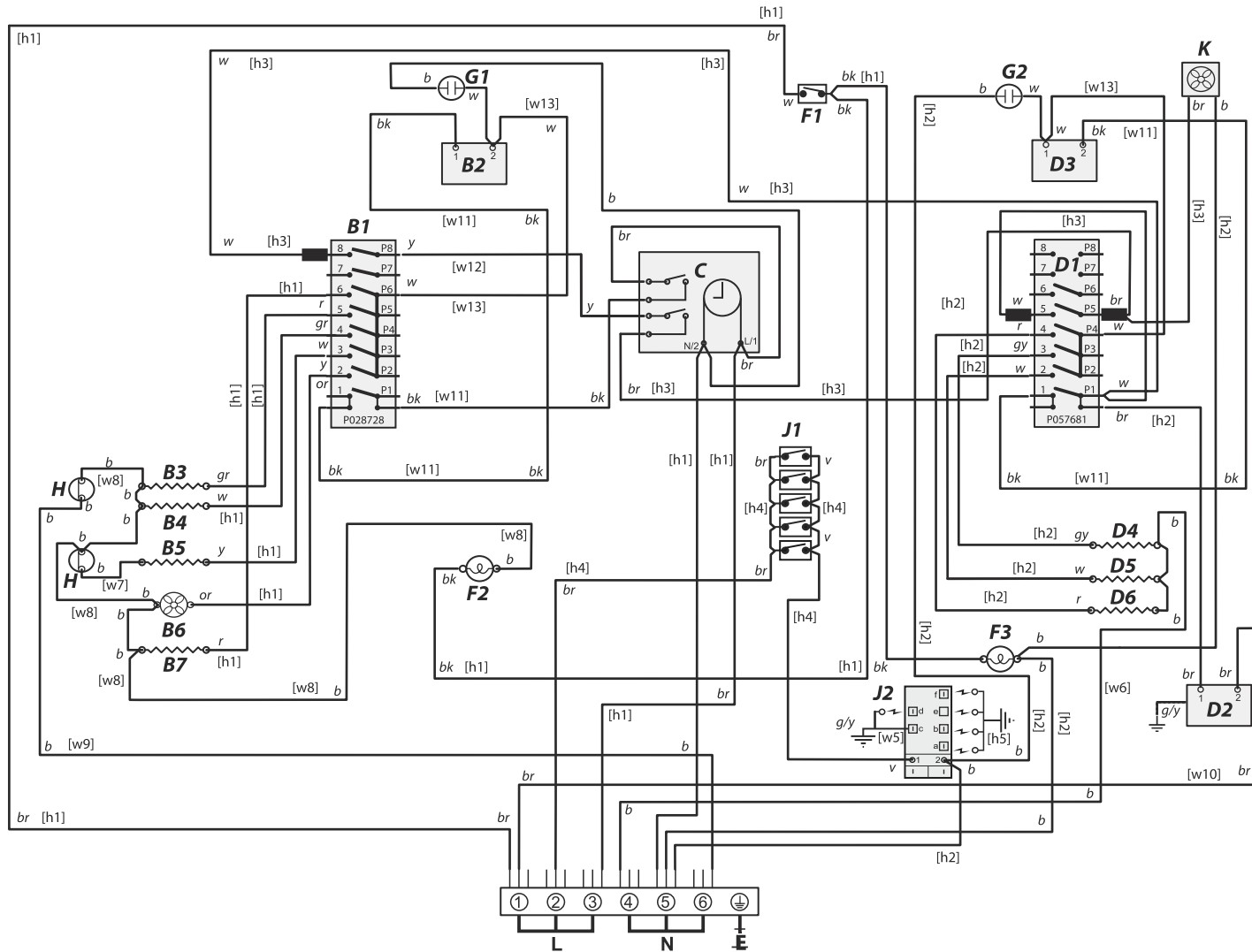


PROFESSIONAL PLUS 100 FX DF

DSL0519 P10
DATE 17.07.12 ISSUE STATUS 01



STORAGE DRAWER



Code	Description
B1	LH OVEN MULTI-FUNCTION SWITCH
B2	LH OVEN MULTI-FUNCTION THERMOSTAT
B3	LH OVEN MULTI-FUNCTION TOP ELEMENT(OUTER PR
B4	LH OVEN MULTI-FUNCTION TOP ELEMENT(INNER PR
B5	LH OVEN MULTI-FUNCTION BASE ELEMENT
B6	LH OVEN MULTI-FUNCTION FAN
B7	LH OVEN MULTI-FUNCTION FAN ELEMENT
C	CLOCK

Code	Description
D1	RH OVEN MULTI FUNCTION SWITCH
D2	RH OVEN PROTECTION THERMOSTAT
D3	RH OVEN TEMPERATURE THERMOSTAT
D4	RH OVEN TOP(OUTER) ELEMENT
D5	RH OVEN TOP(INNER) ELEMENT
D6	RH OVEN BASE ELEMENT
F1	LIGHT SWITCH
F2	LH OVEN LIGHT
F3	RH OVEN LIGHT
G1	LH OVEN NEON
G2	RH OVEN NEON
H	THERMAL CUTS OUTS LH OVENS
J1	GAS IGNITION SWITCH
J2	SPARK GENERATOR
K	COOLING FAN

Code	Colour
b	BLUE
br	BROWN
bk	BLACK
or	ORANGE
r	RED
v	VIOLET
w	WHITE
y	YELLOW
g/y	GREEN/YELLOW
gr	GREY