

**FALCON / RANGEMASTER
PROFESSIONAL PLUS 100 INDUCTION**

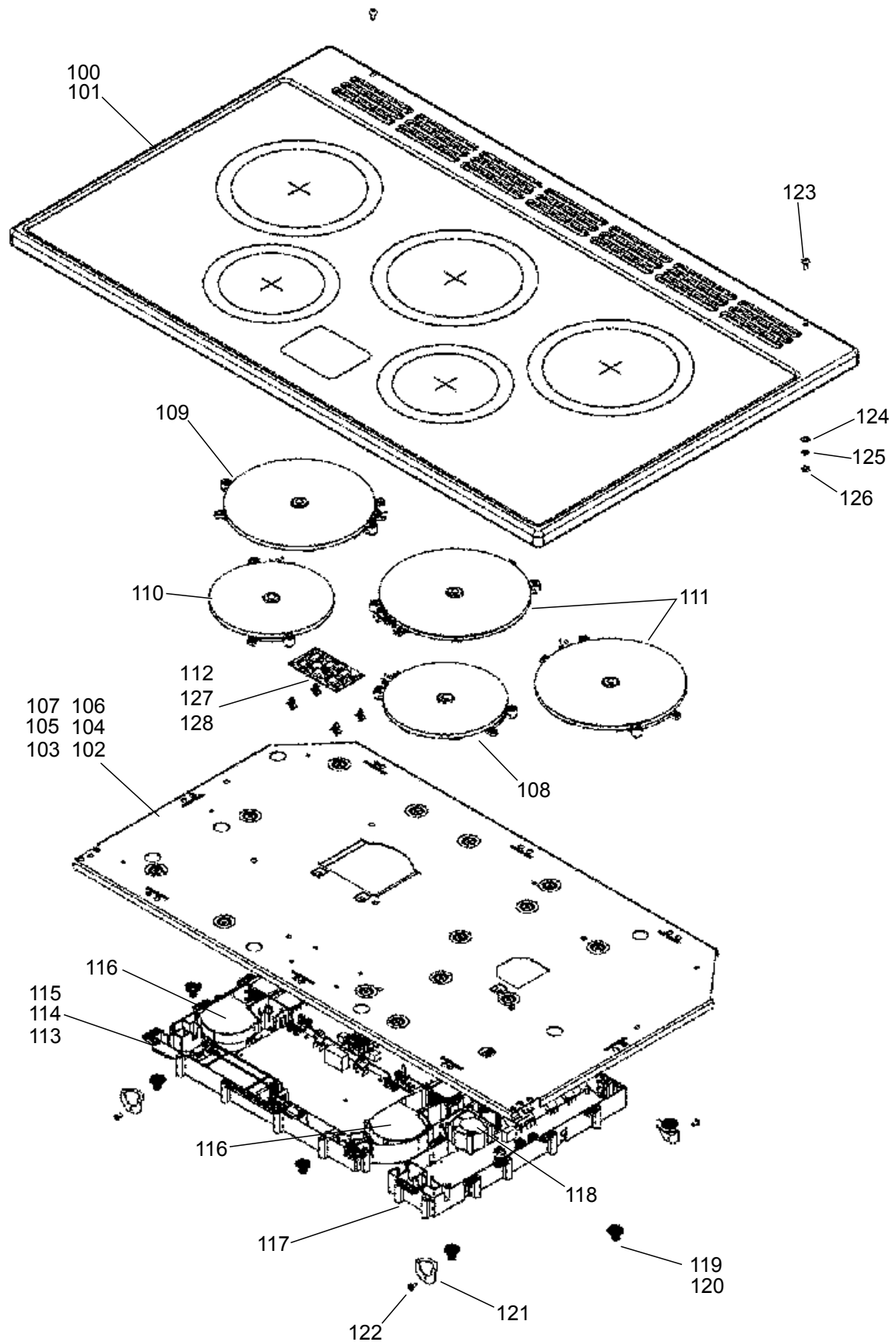
DATE: 21.03.2019 **DSL0768 P00**
ISSUE:01



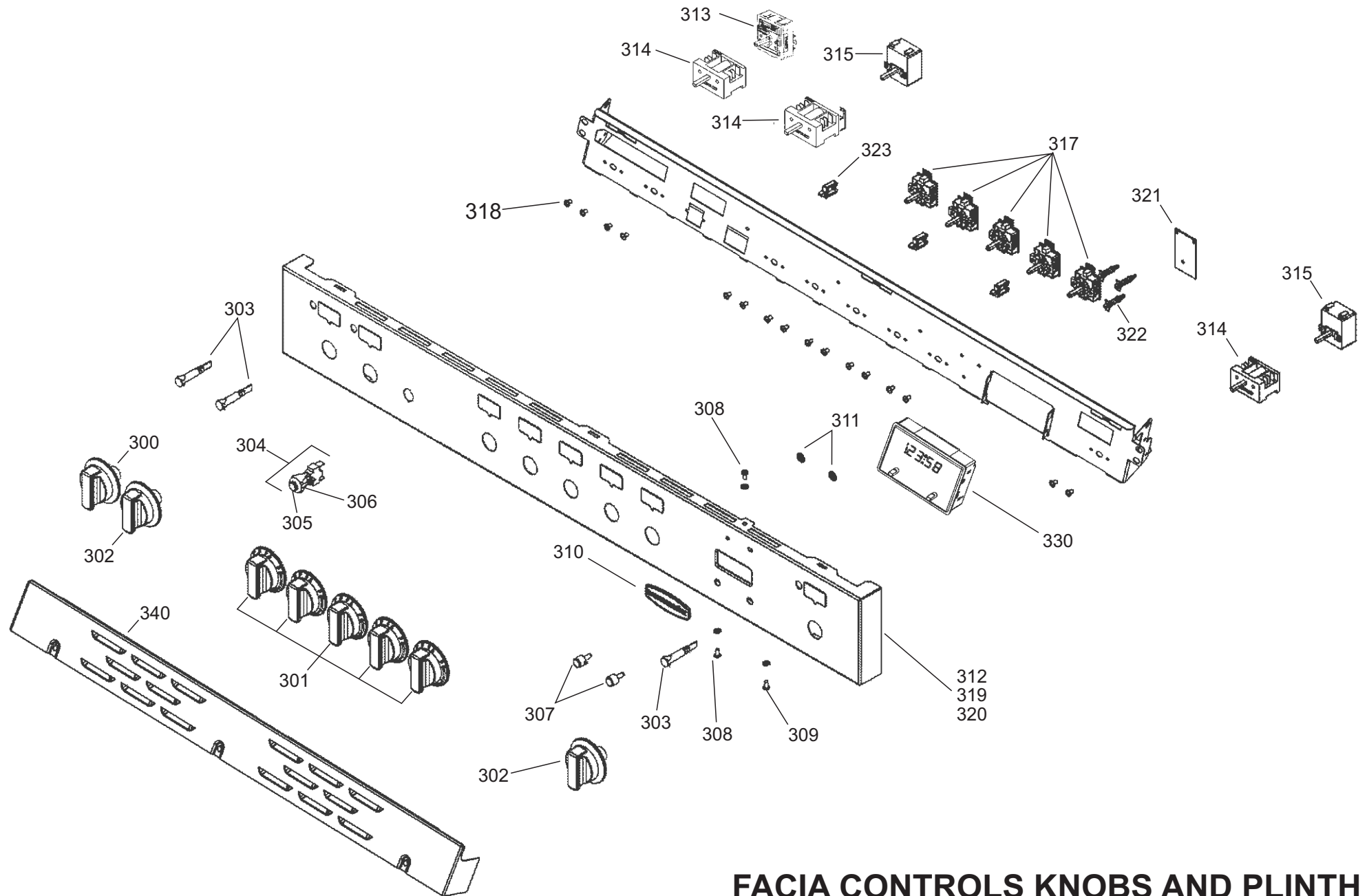
OVERALL APPLIANCE

PROFESSIONAL+ 100 INDUCTION

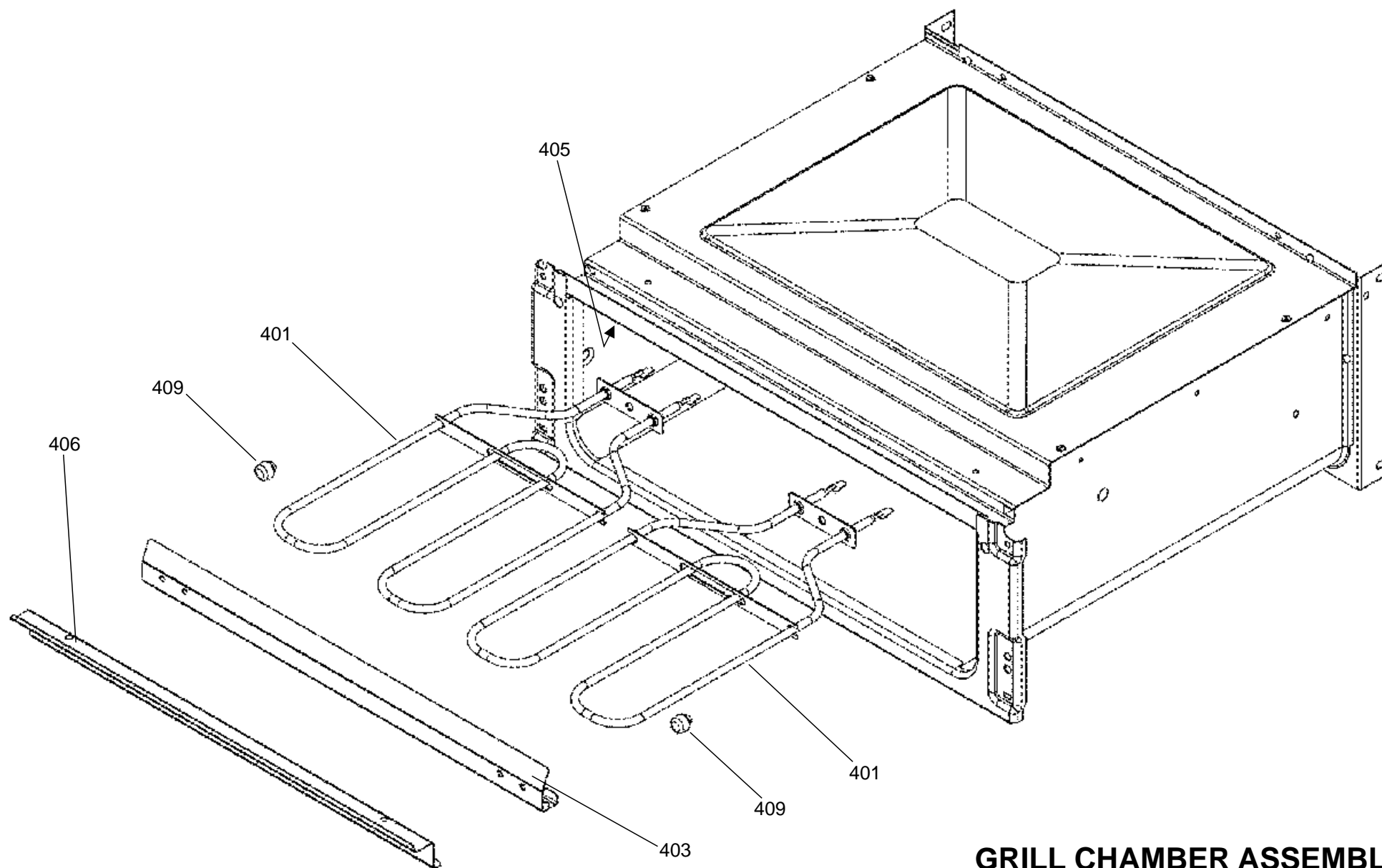
DSL0768 P01



HOB AND INDUCTION ASSEMBLY



FACIA CONTROLS KNOBS AND PLINTH

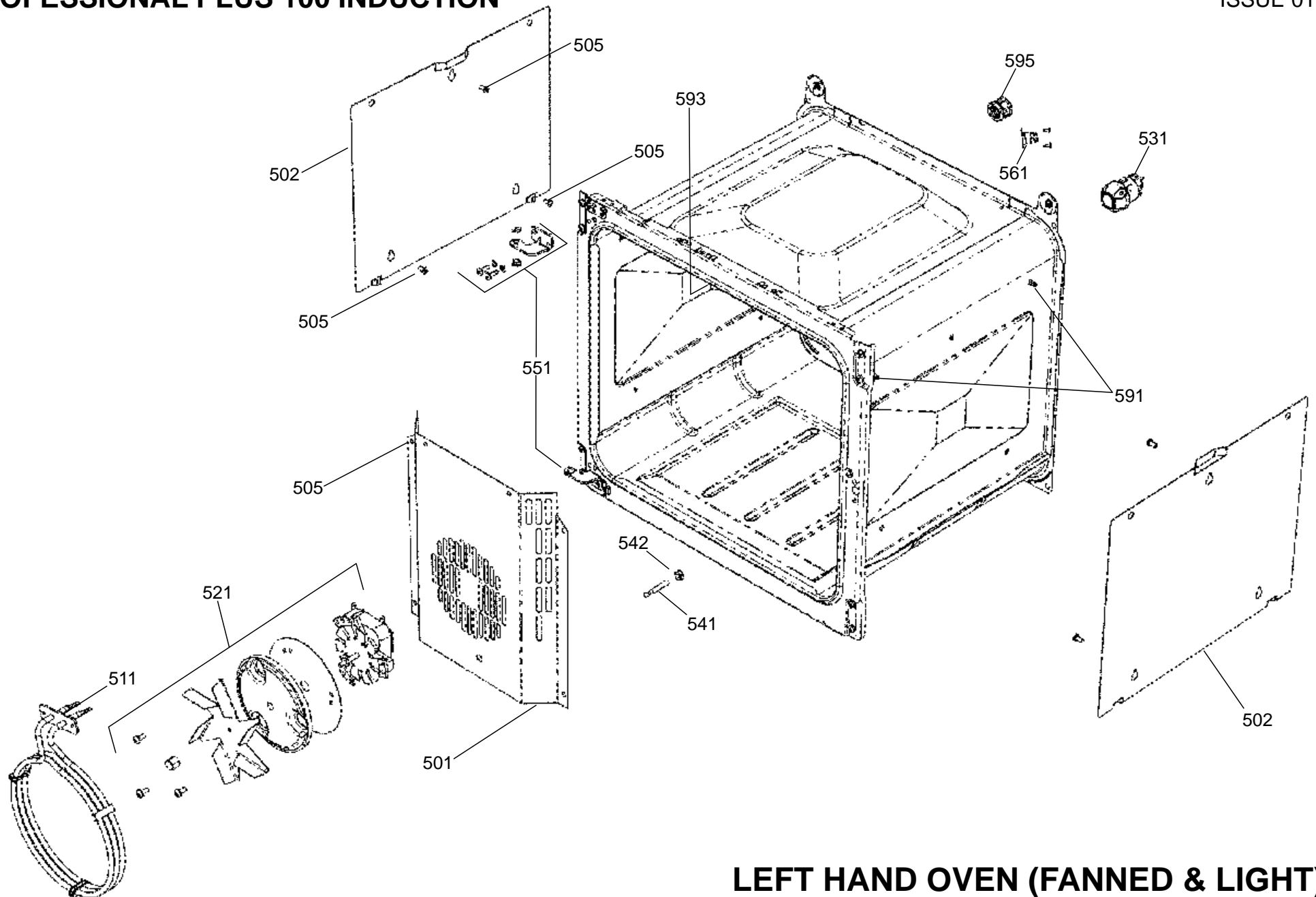


GRILL CHAMBER ASSEMBLY

**FALCON / RANGEMASTER
PROFESSIONAL PLUS 100 INDUCTION**

DATE: 21.03.2019

DSL0768 P05
ISSUE 01

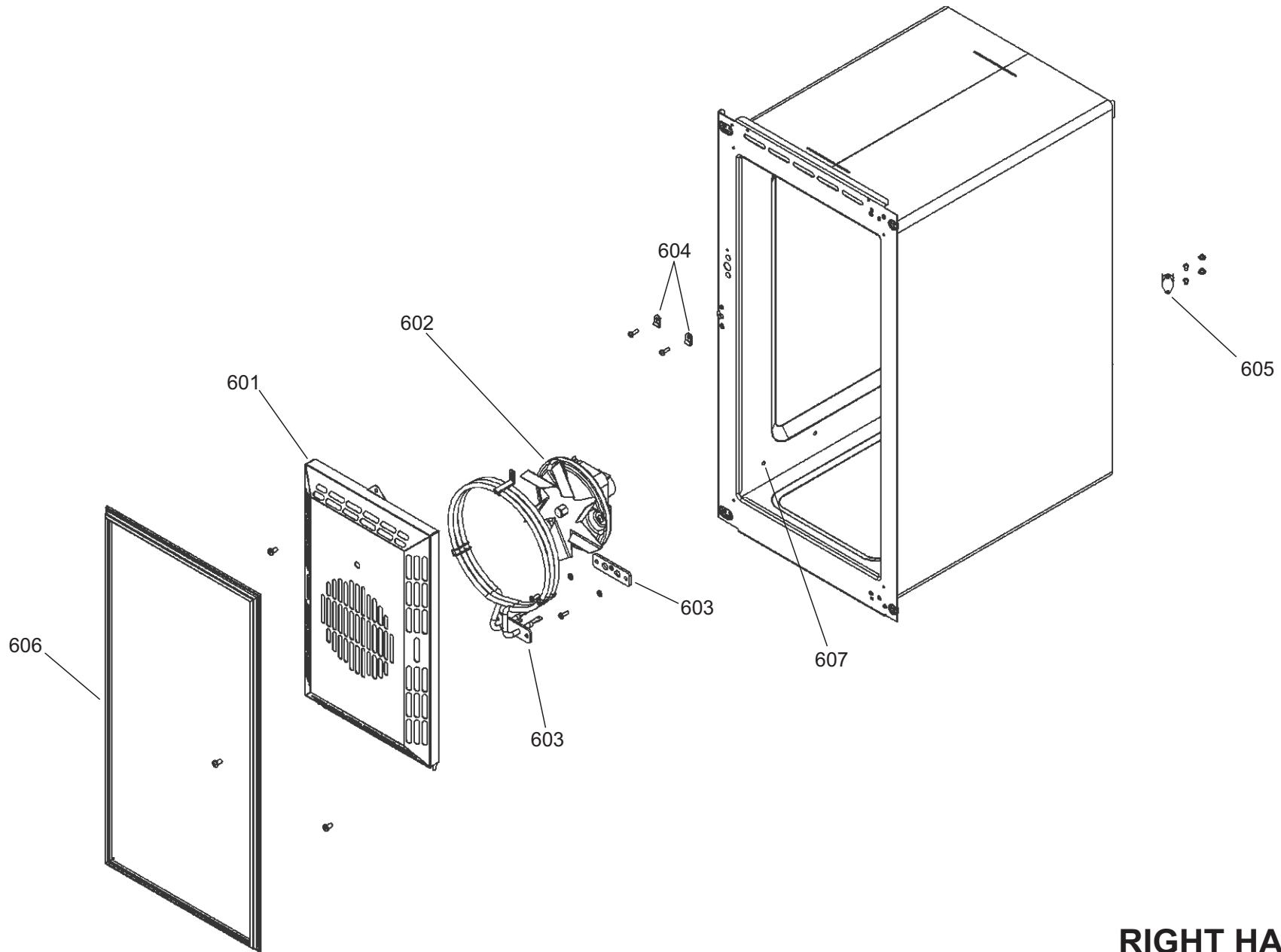


LEFT HAND OVEN (FANNED & LIGHT)

**FALCON / RANGEMASTER
PROFESSIONAL PLUS 100 INDUCTION**

DATE: 21.03.2019

DSL0768 P06
ISSUE 01

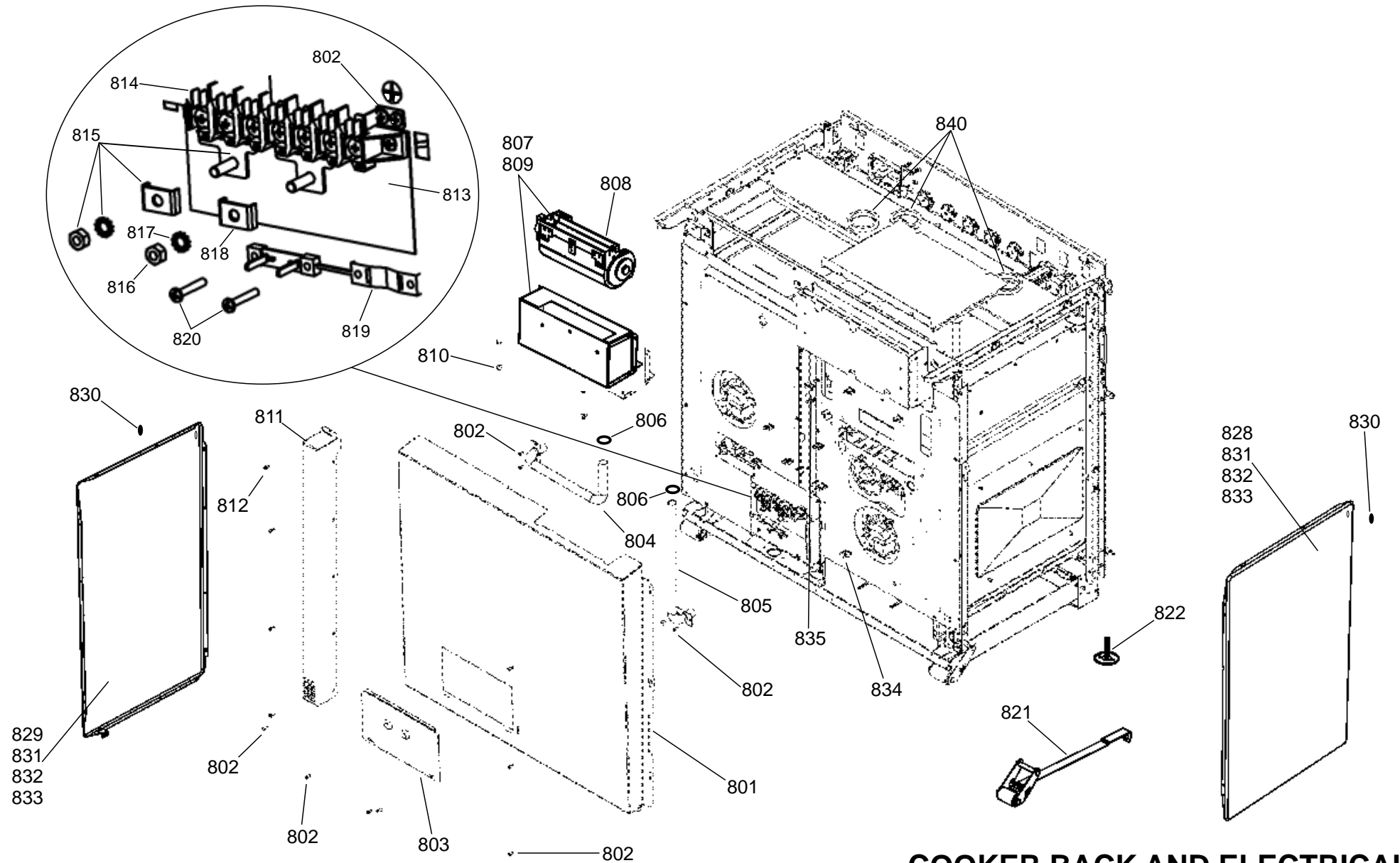


RIGHT HAND OVEN

FALCON / RANGEMASTER PROFESSIONAL PLUS 100 INDUCTION

DATE: 21.03.2019

DSL0768 P08
ISSUE 01

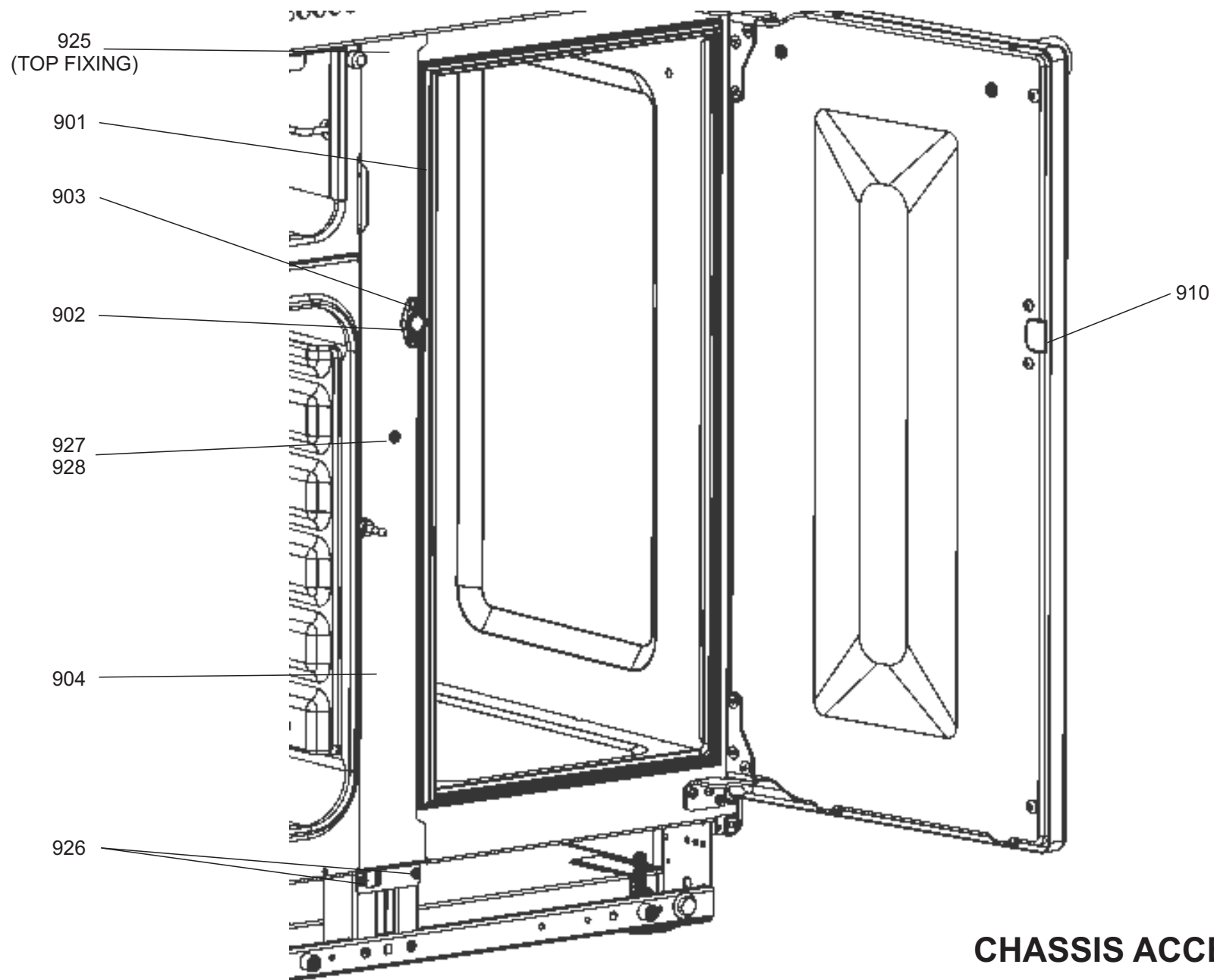


COOKER BACK AND ELECTRICAL

**FALCON / RANGEMASTER
PROFESSIONAL PLUS 100 INDUCTION**

DATE: 21.03.2019

DSL0768 P09
ISSUE 01

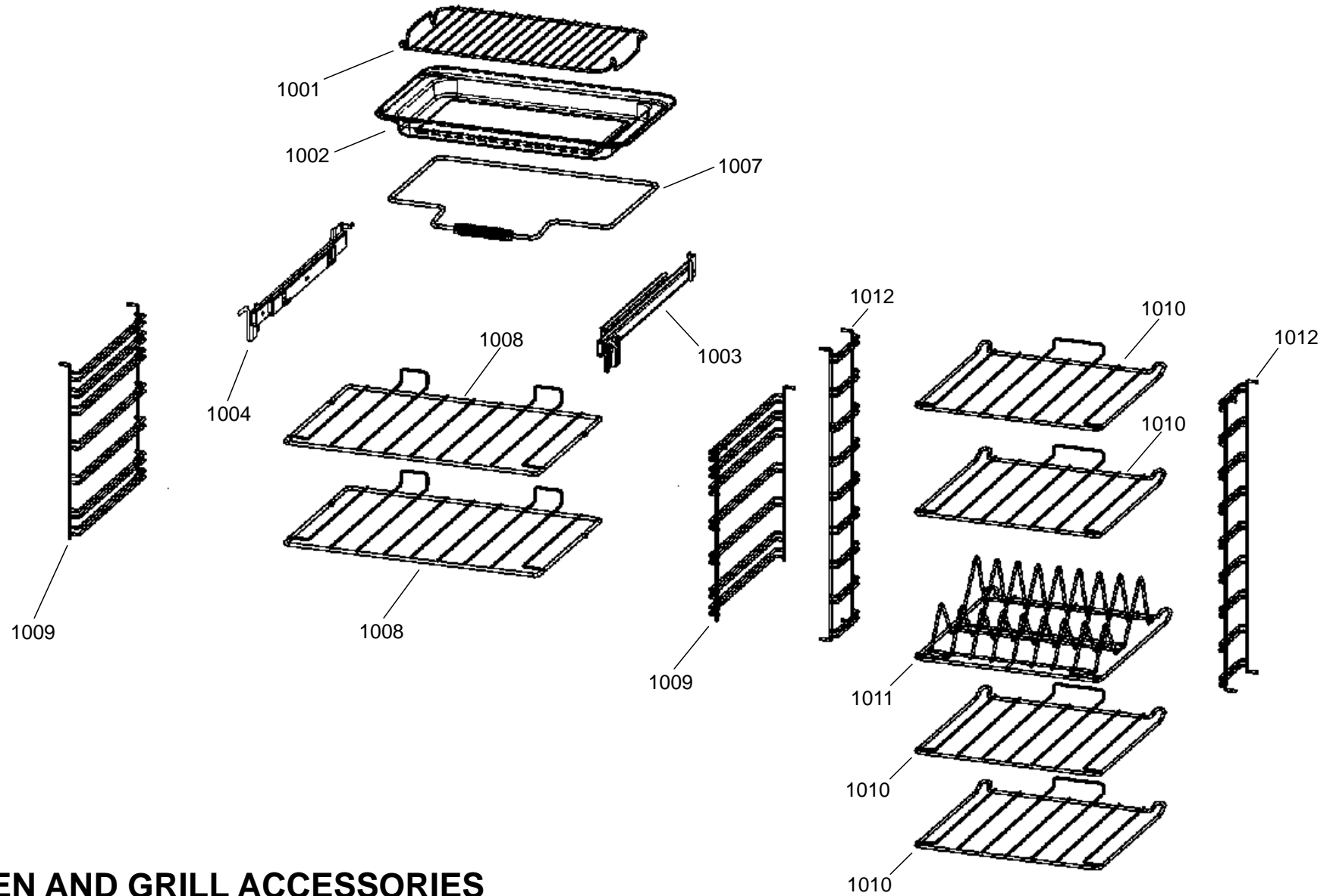


CHASSIS ACCESSORIES

**FALCON / RANGEMASTER
PROFESSIONAL PLUS 100 INDUCTION**

DATE: 21.03.2019

DSL0768 P10
ISSUE 01

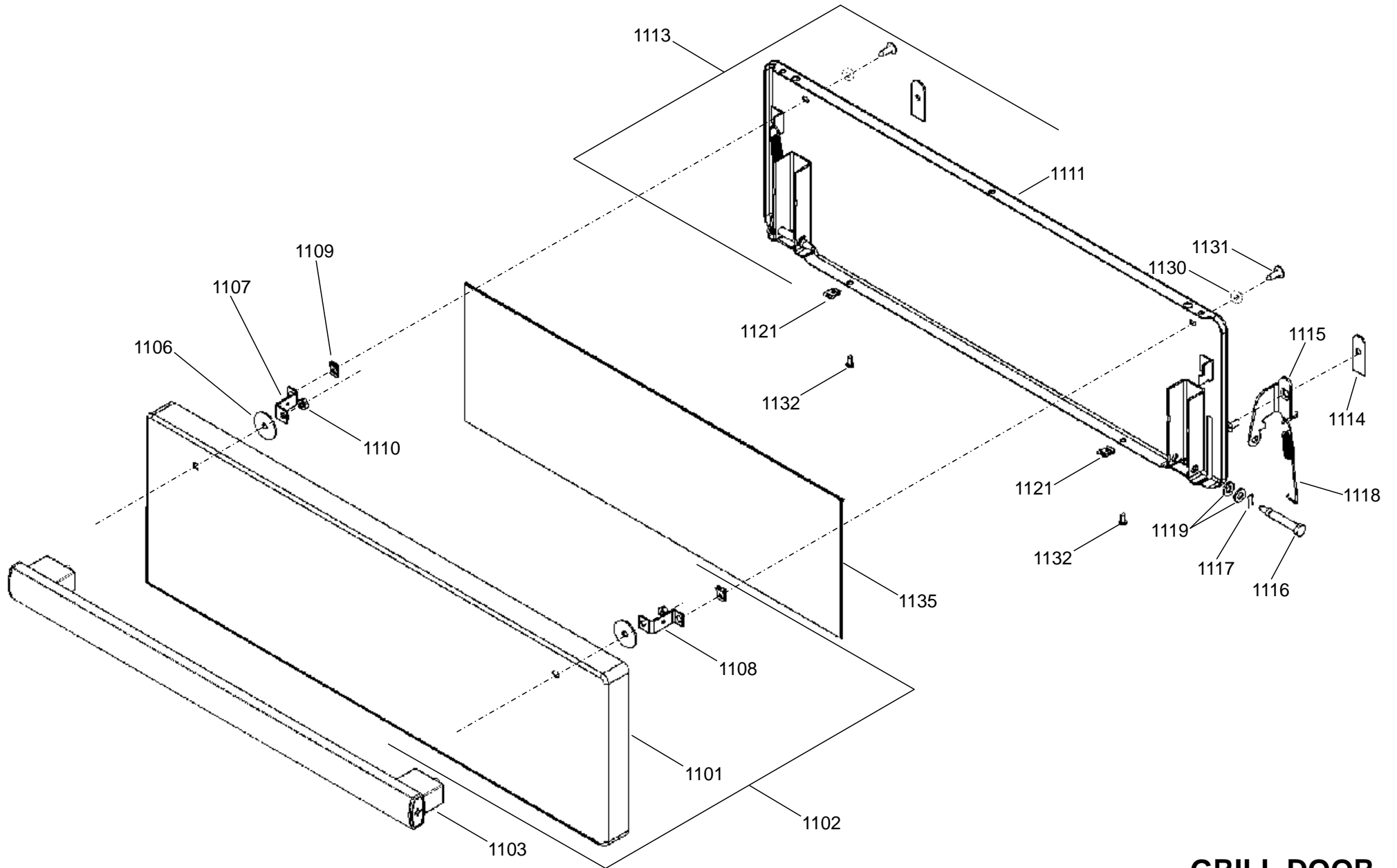


OVEN AND GRILL ACCESSORIES

**FALCON / RANGEMASTER
PROFESSIONAL PLUS 100 INDUCTION**

DATE: 08.04.2019

DSL0768 P11
ISSUE 01

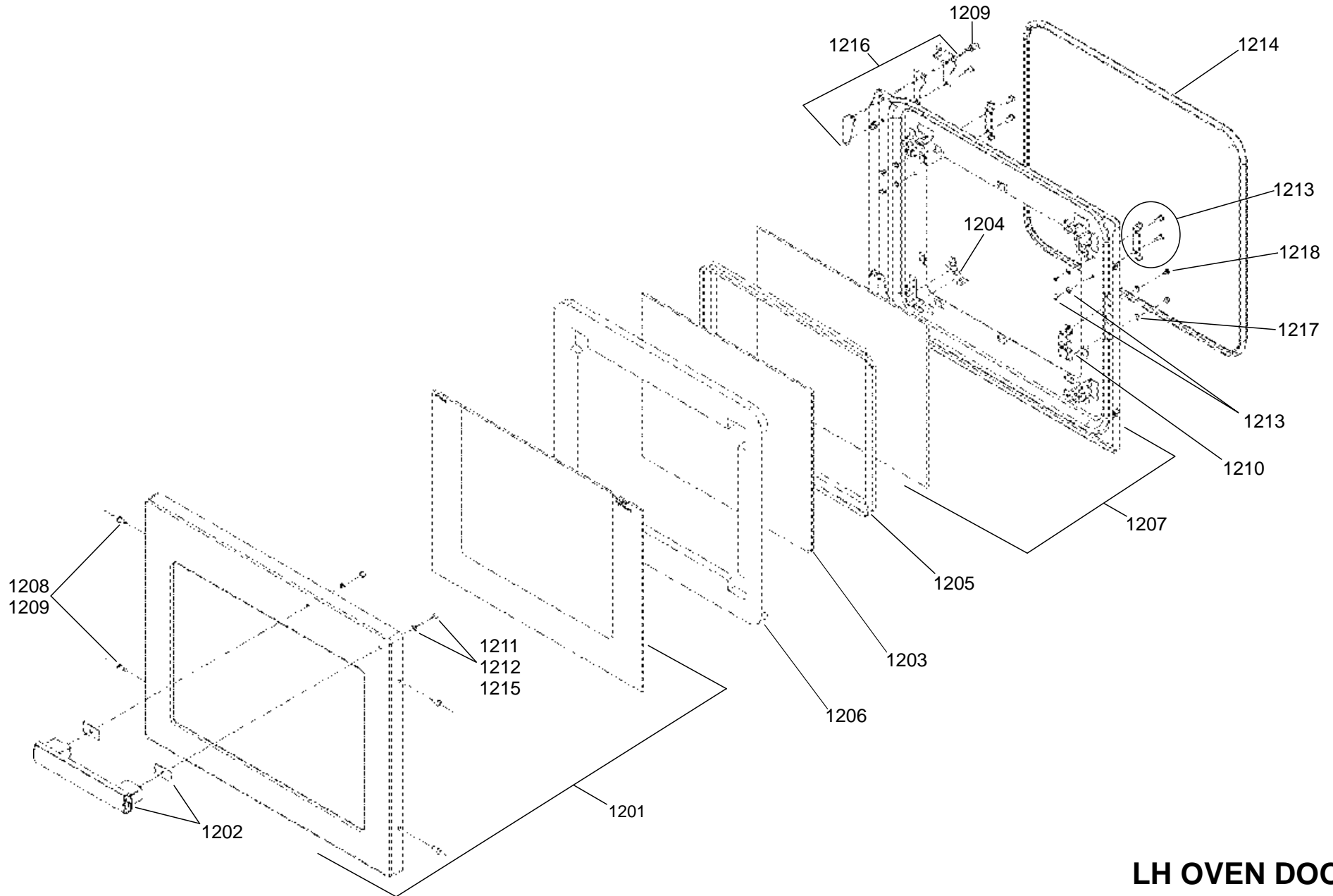


GRILL DOOR

**FALCON / RANGEMASTER
PROFESSIONAL PLUS 100 INDUCTION**

DATE: 08.04.2019

DSL0768 P12
ISSUE 01

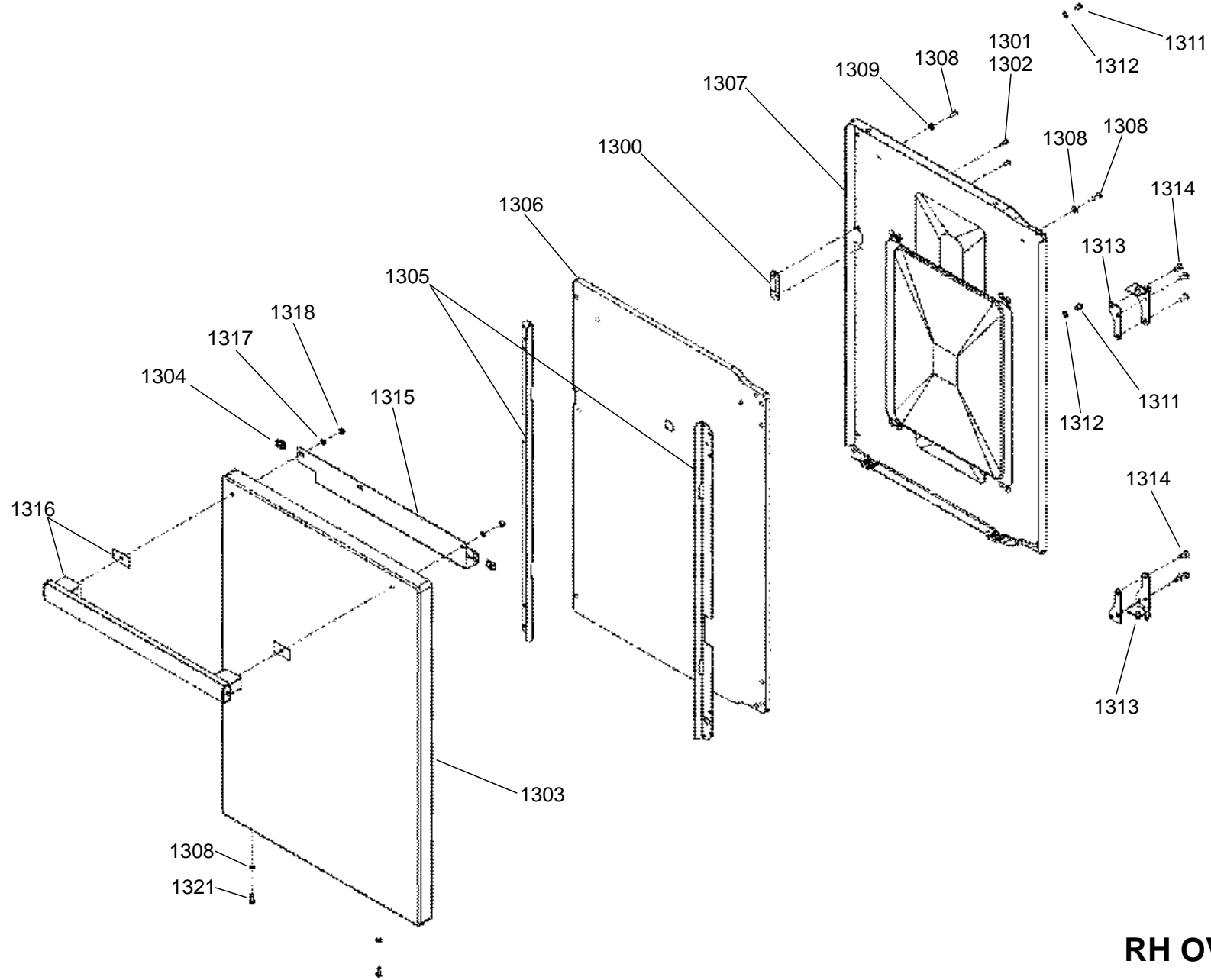


LH OVEN DOOR

**FALCON / RANGEMASTER
PROFESSIONAL PLUS 100 INDUCTION**

DATE: 08.04.2019

DSL0768 P13
ISSUE 01



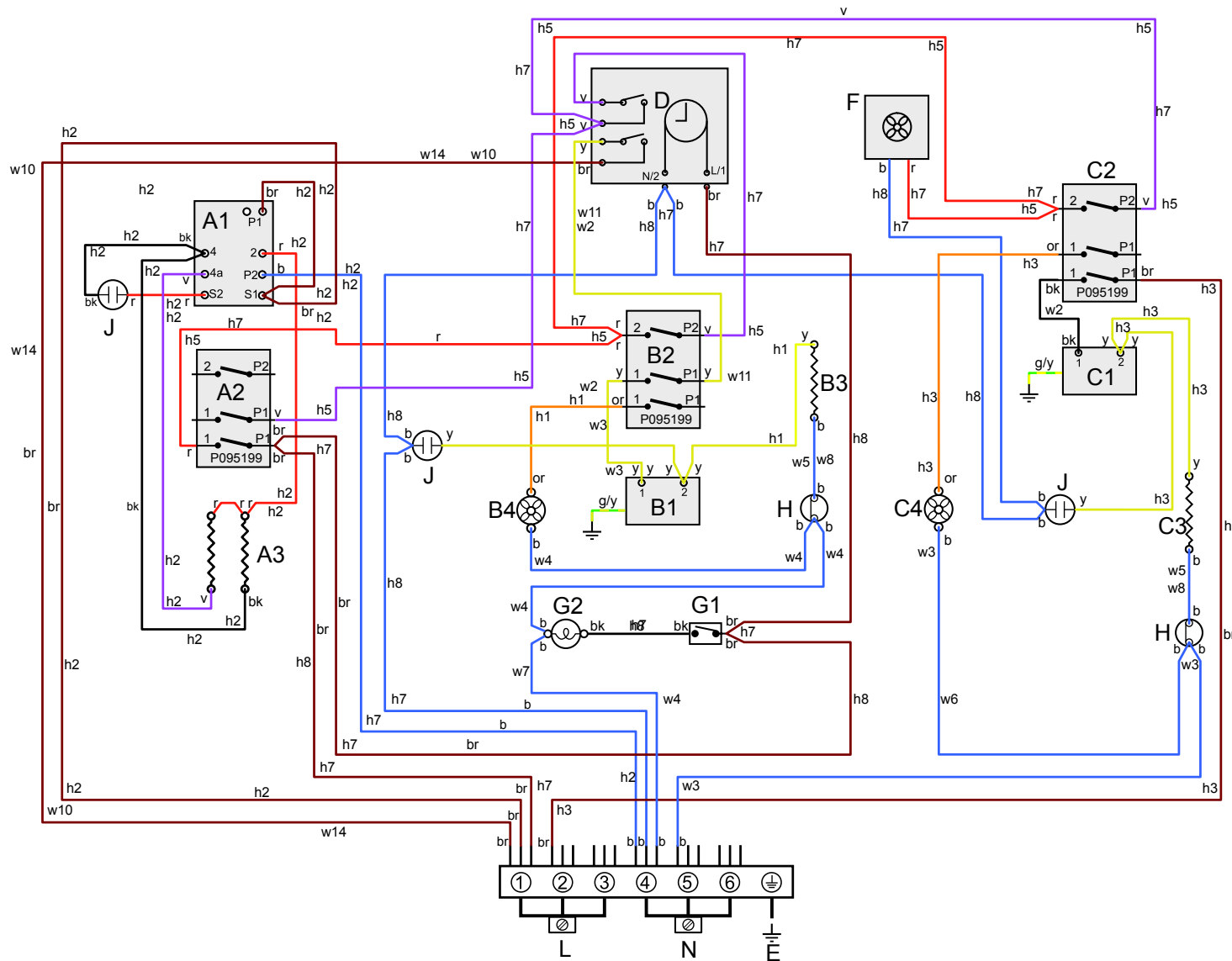
RH OVEN DOOR

FALCON / RANGEMASTER PROFESSIONAL PLUS 100 INDUCTION

DATE: 08.04.2019

ISSUE: 01

DSL0768 P15



Code	Description
A1	Grill Energy Regulator
A2	Grill Front Switch
A3	Grill Elements
B1	Left Hand Oven Thermostat
B2	Left Hand Oven Thermostat Front Switch
B3	Left Hand Oven Element
B4	Left Hand Oven Fan
C1	Right Hand Oven Thermostat
C2	Right Hand Oven Thermostat Front Switch
C3	Right Hand Oven Element
C4	Right Hand Oven Fan
D	Clock
F	Cooling Fan
G1	Oven Light Switch
G2	Oven Light
H	Thermal Cut Out
J	Neon

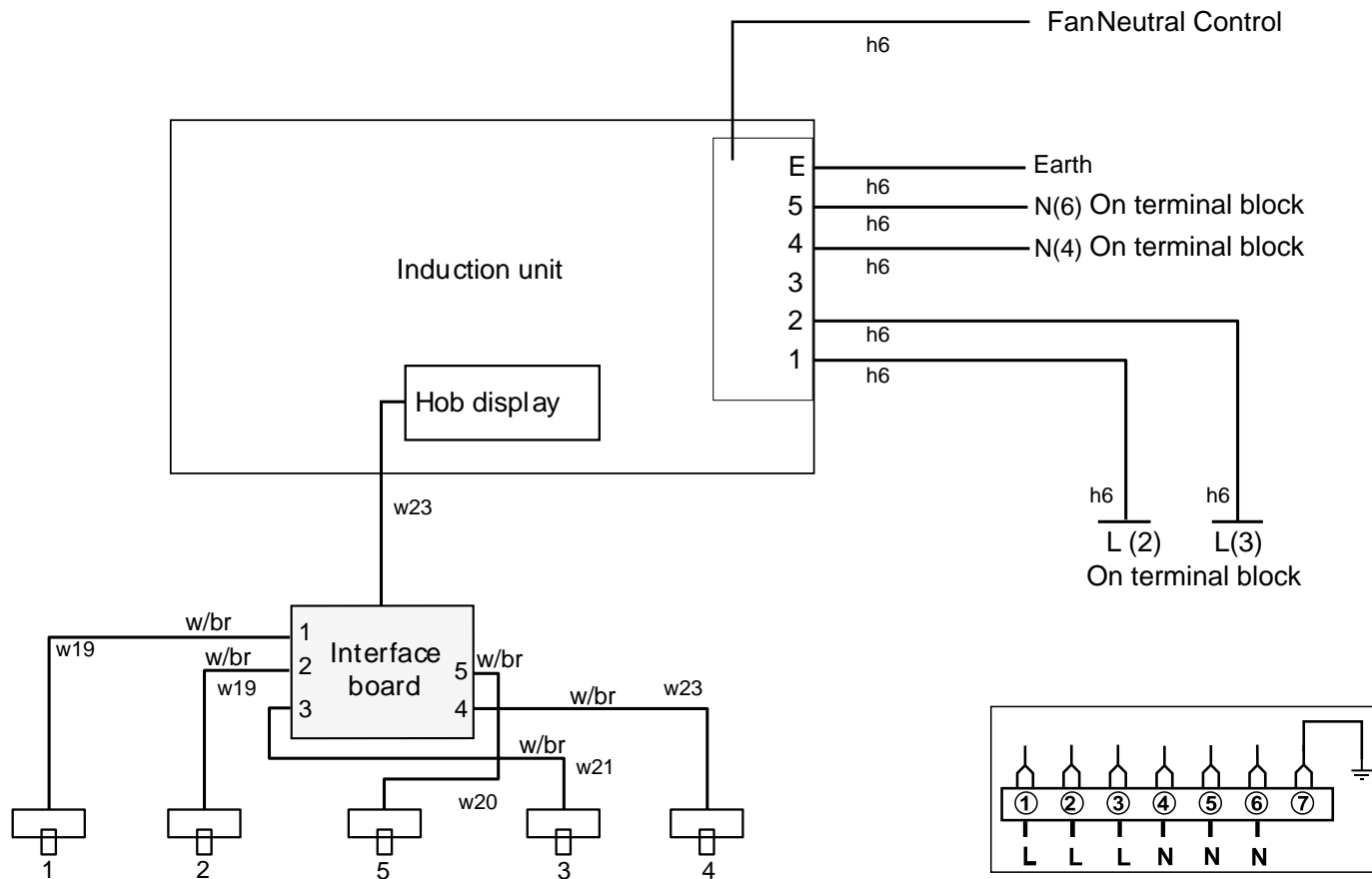
Code	Colour
b	Blue
br	Brown
bk	Black
or	Orange
r	Red
v	Violet
w	White
y	Yellow
g/y	Green/yellow

WIRING DIAGRAM

FALCON / RANGEMASTER PROFESSIONAL PLUS 100 INDUCTION

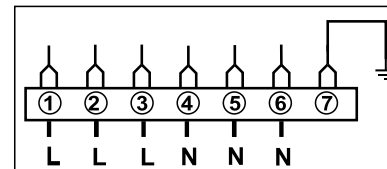
DATE: 08.04.2019

DSL0768 P16
ISSUE: 01



Code	Description
1	Left Hand Front Induction Coil
2	Left Hand Rear Induction Coil
3	Right Hand Rear Induction Coil
4	Right Hand Front Induction Coil
5	Centre Induction Coil

Code	Colour
w/br	White or Brown



HOB WIRING DIAGRAM