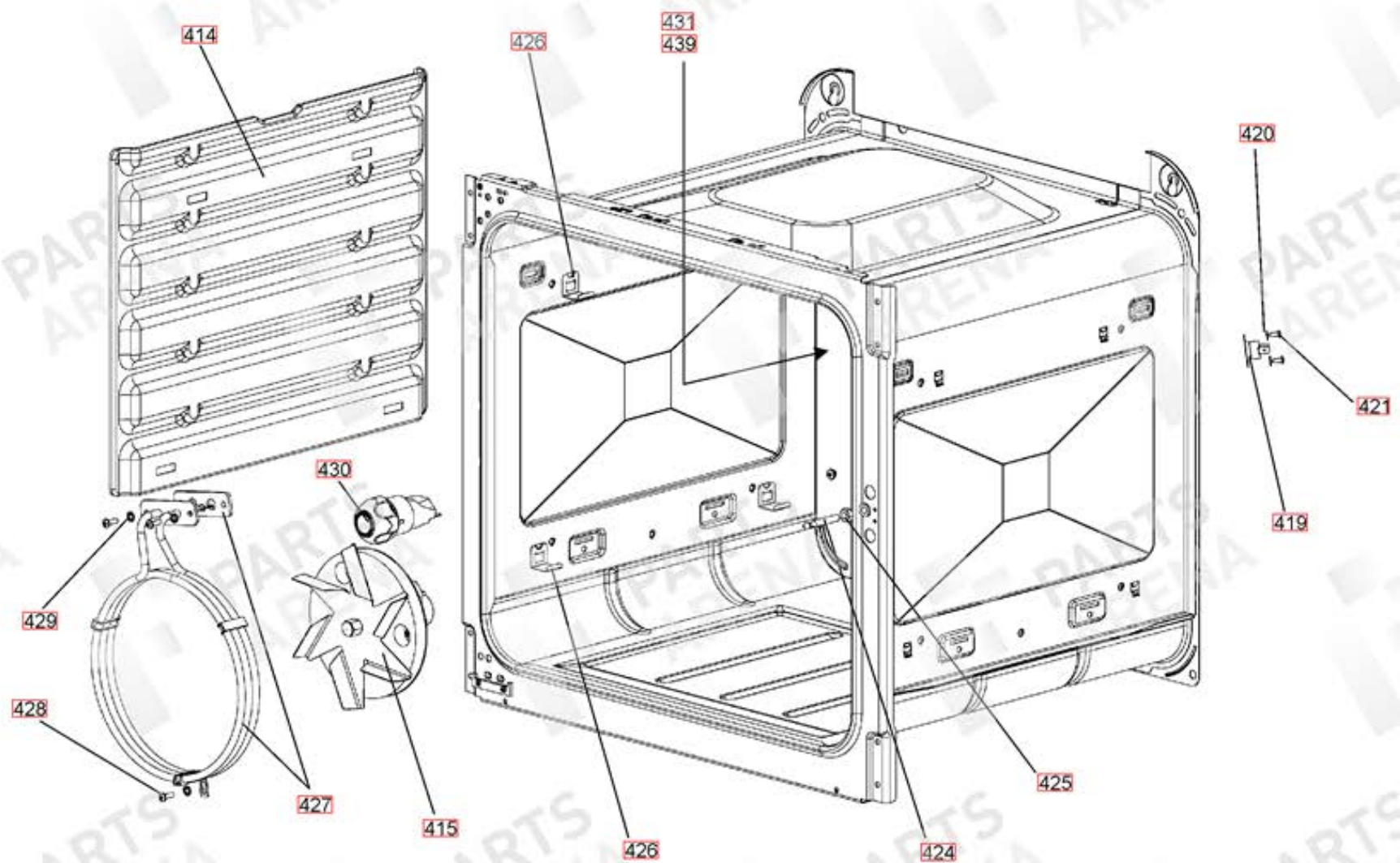


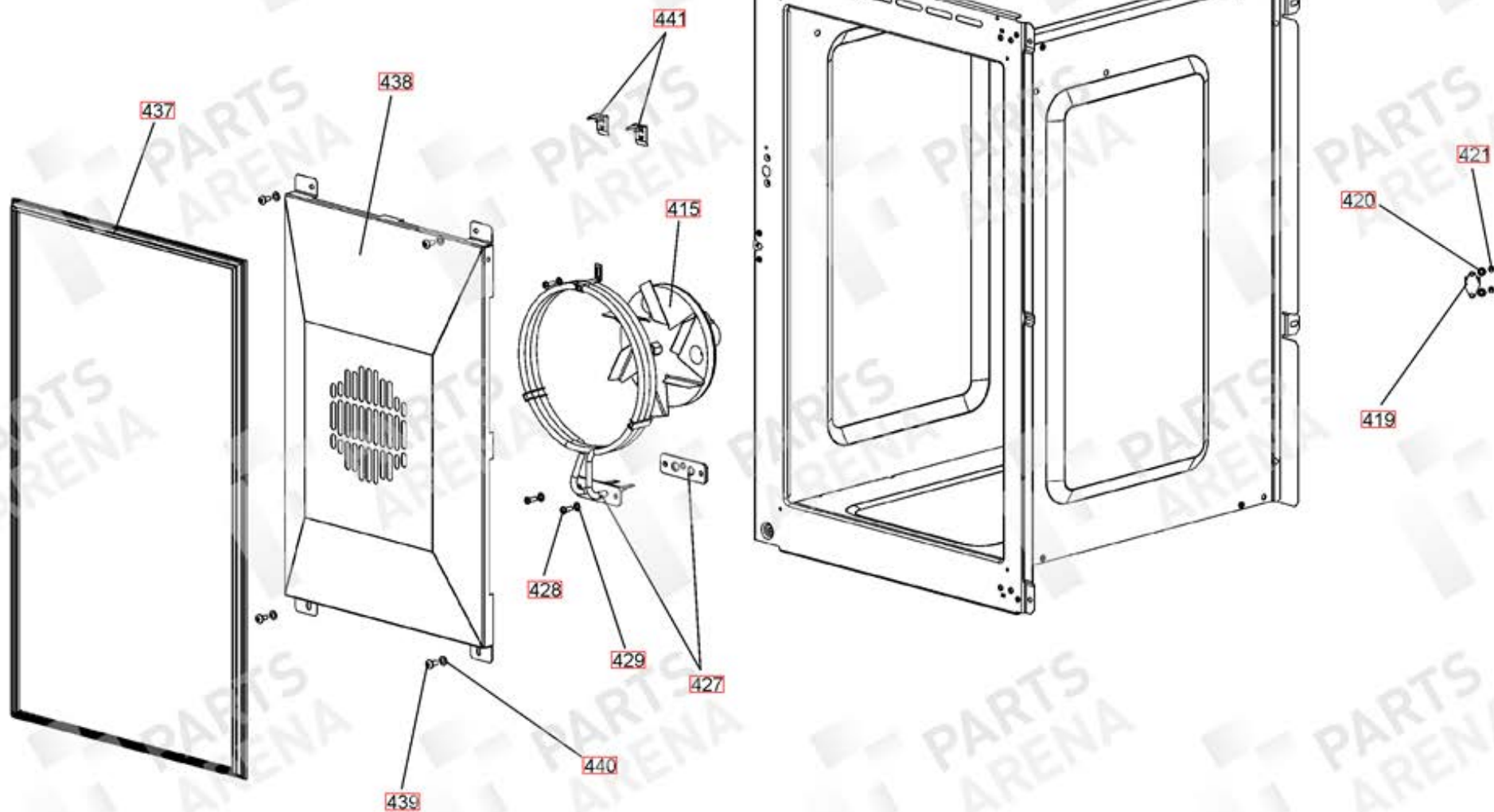
FROM SERIAL NUMBER 171000

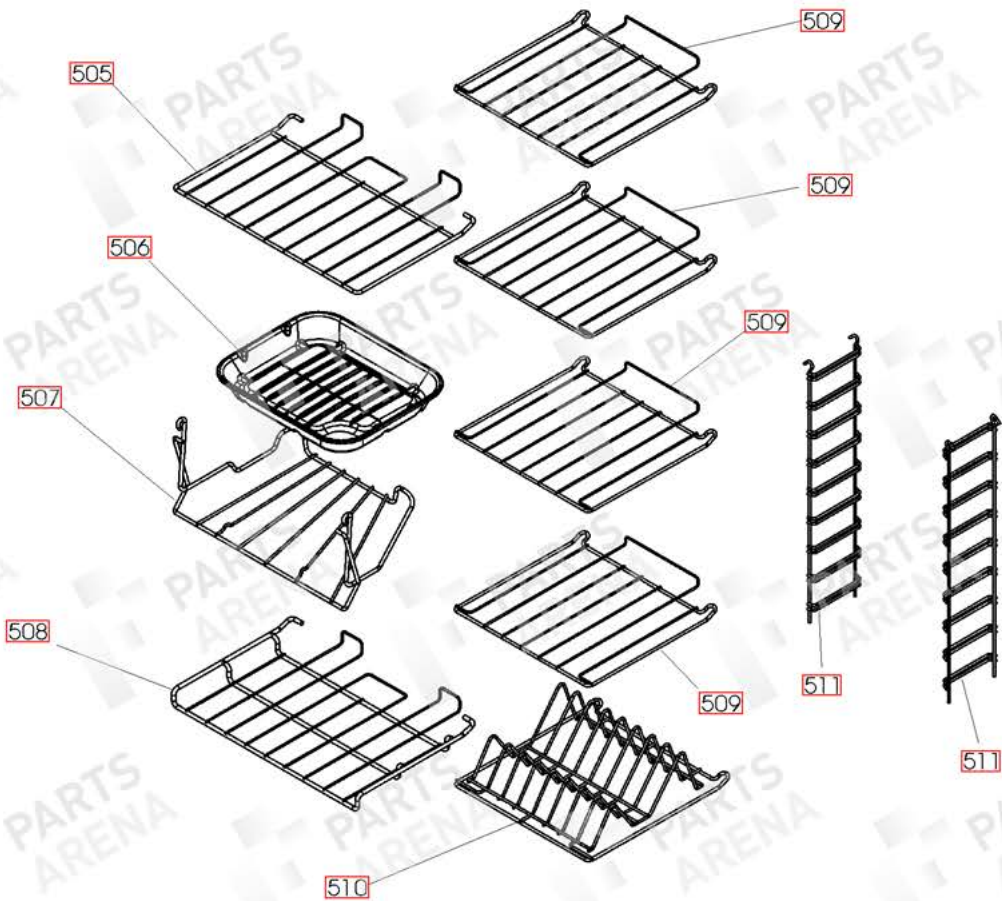
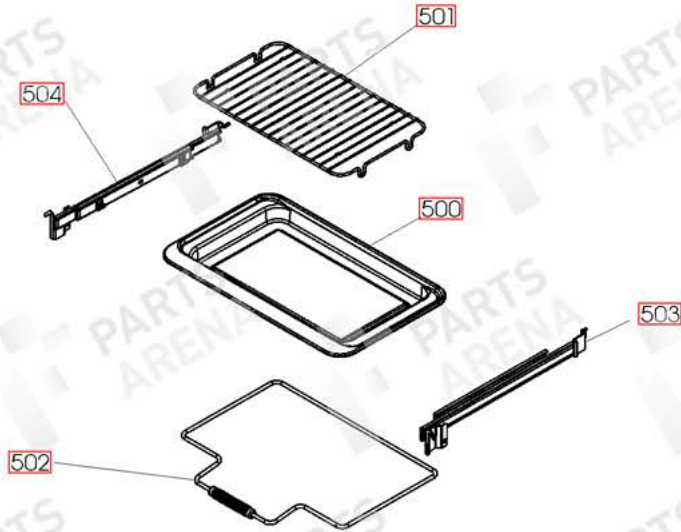


LH OVEN (FAN + LIGHT)

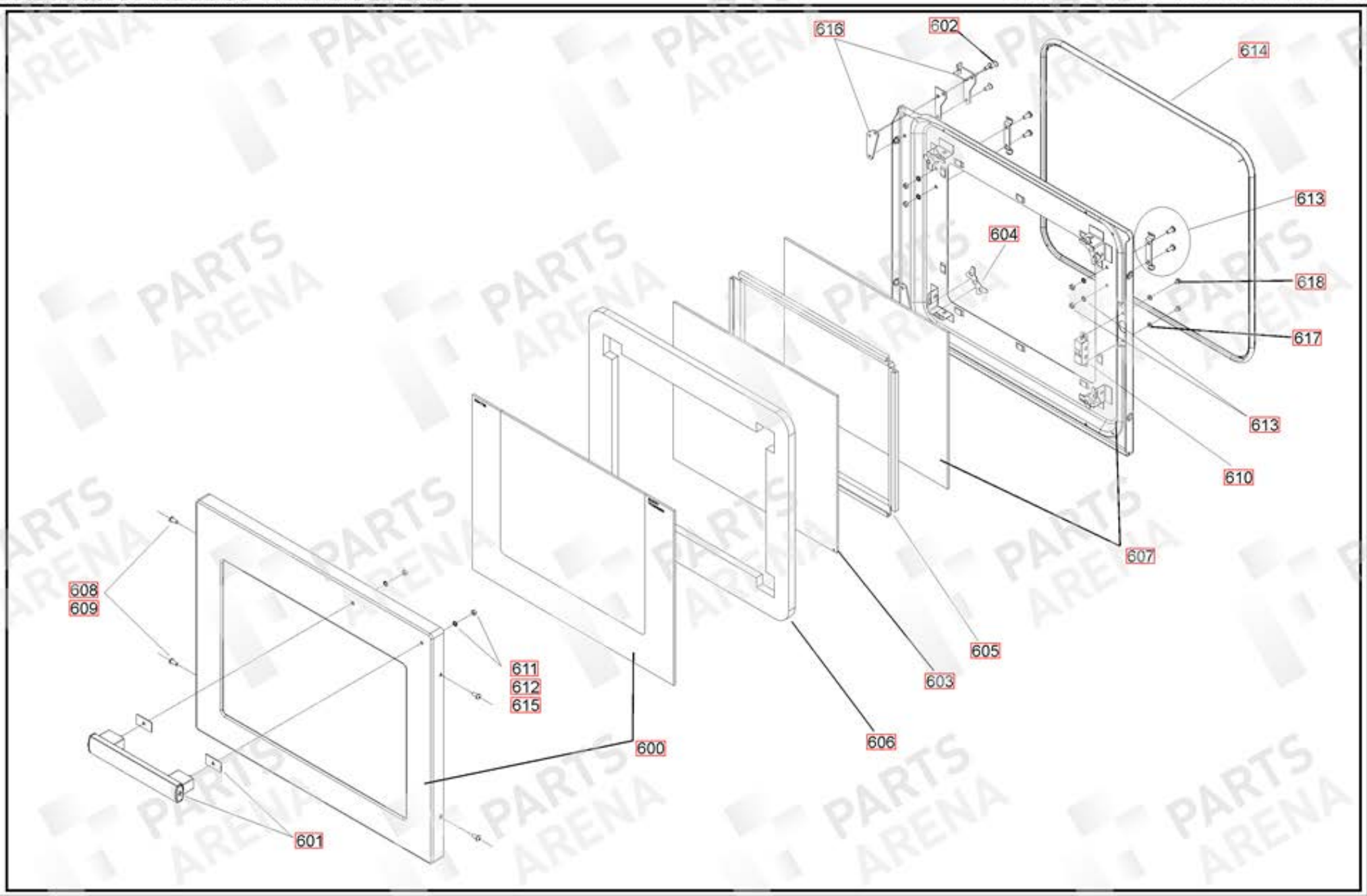
FROM SERIAL NUMBER 171000

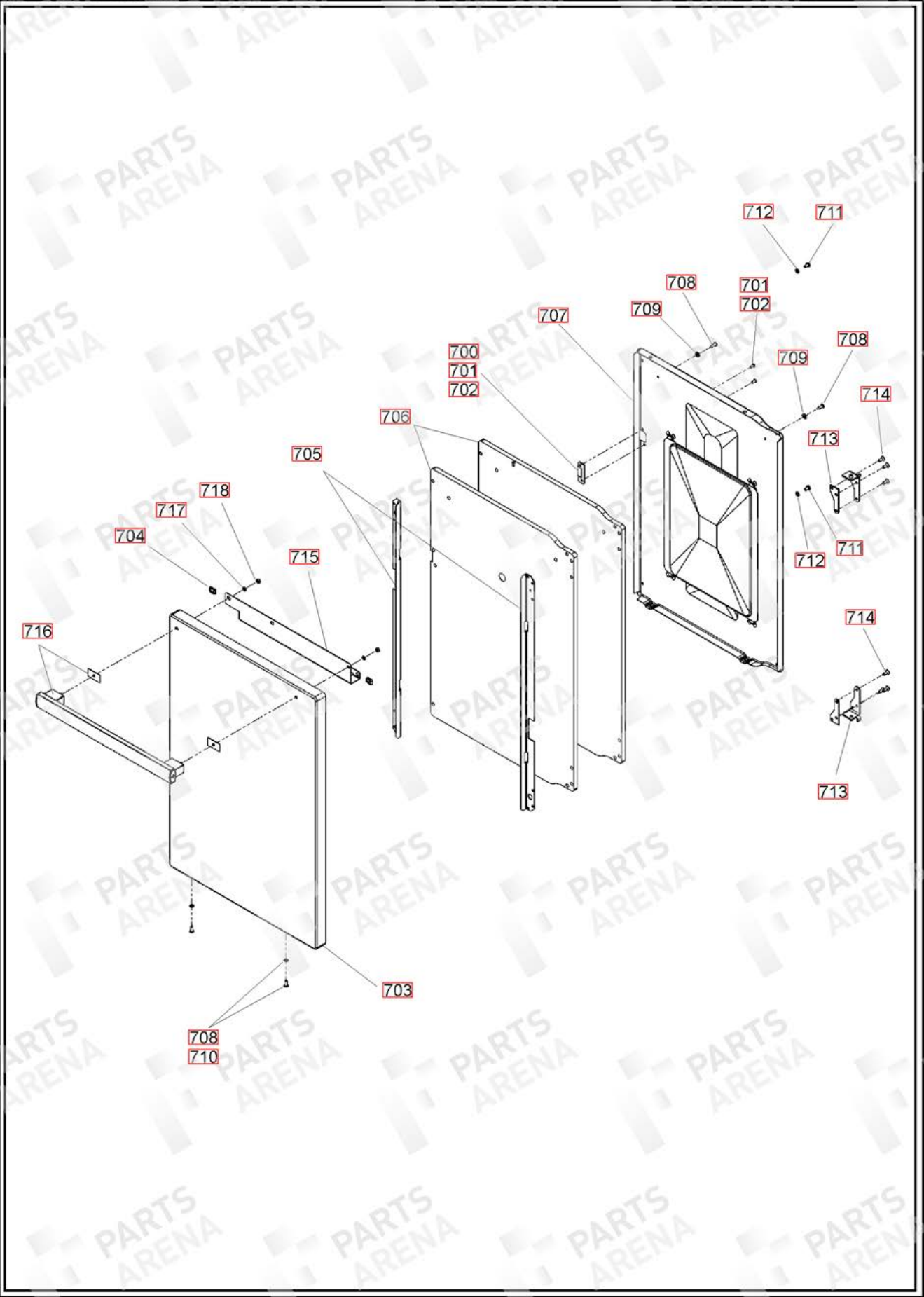
100 TALL OVEN ASSEMBLY

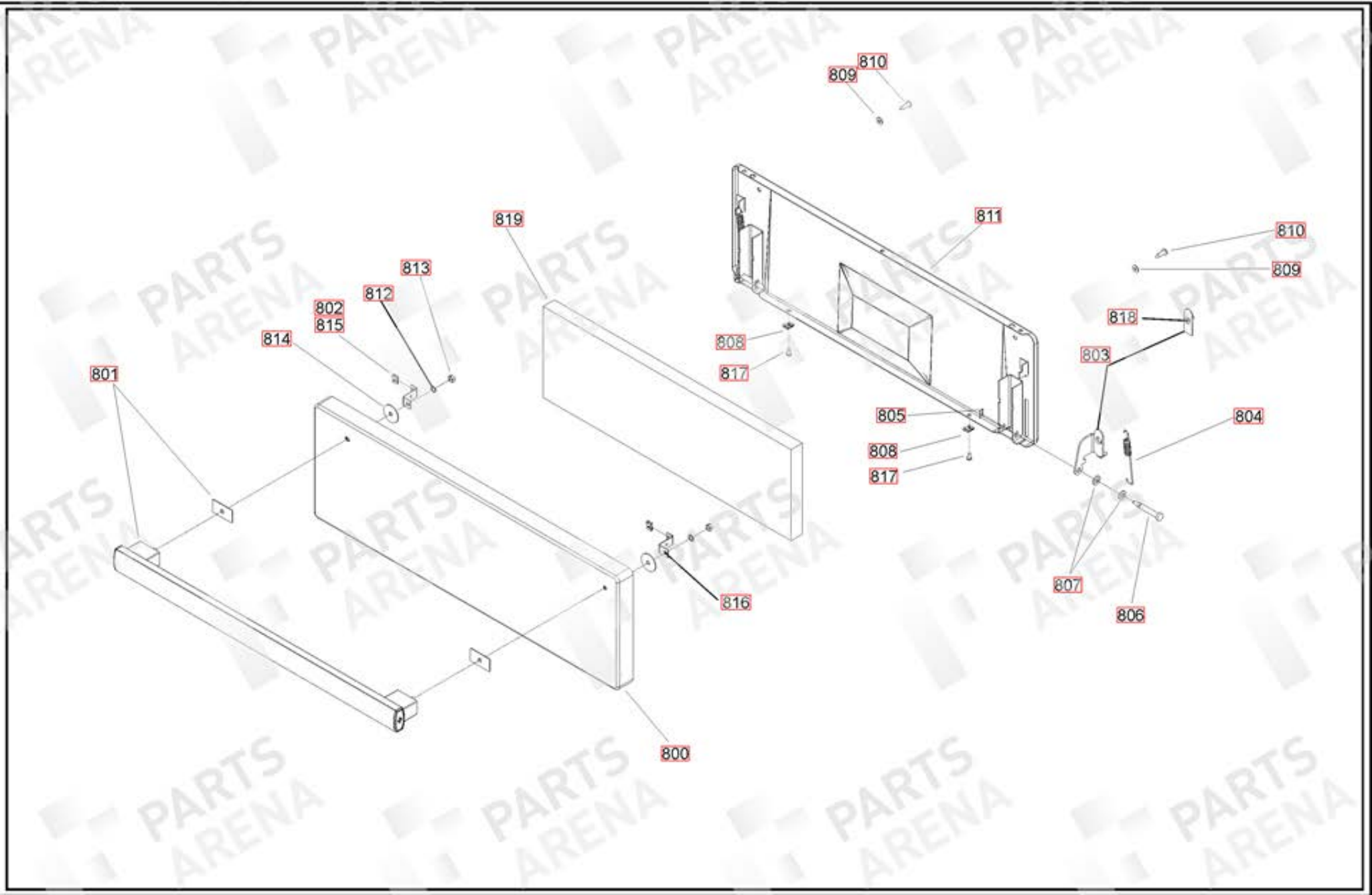


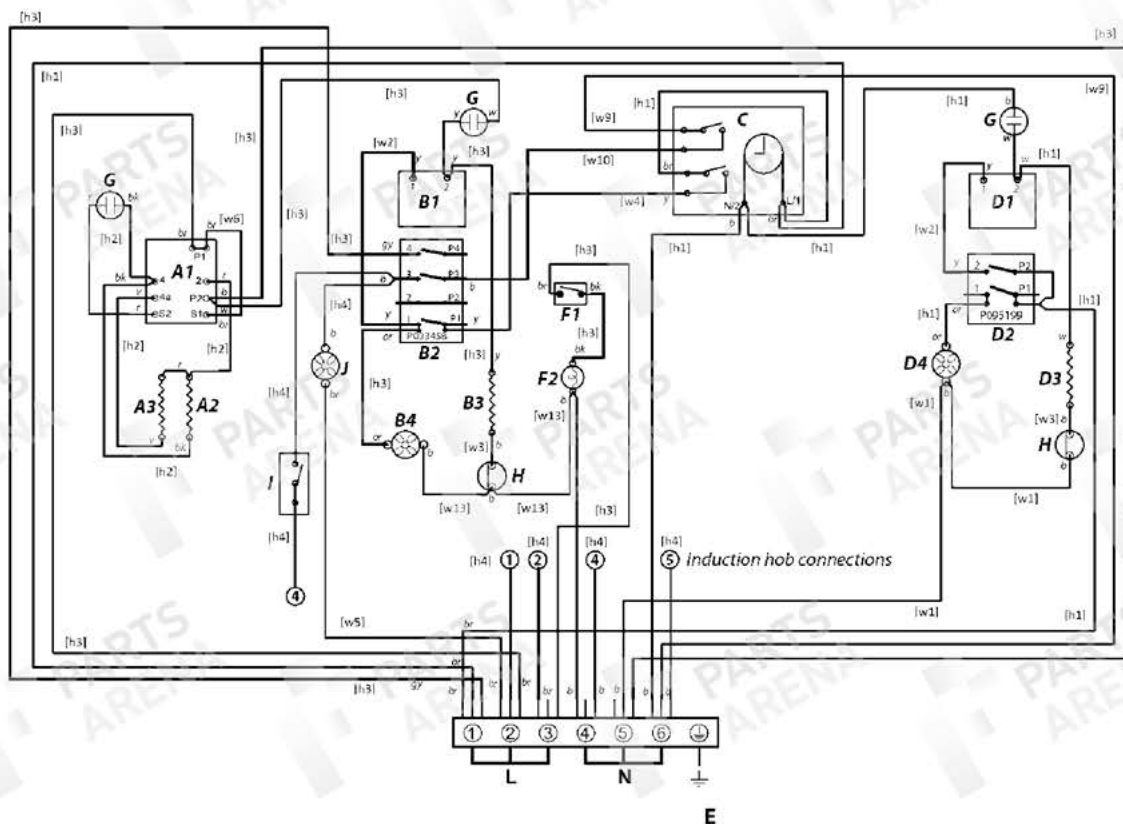










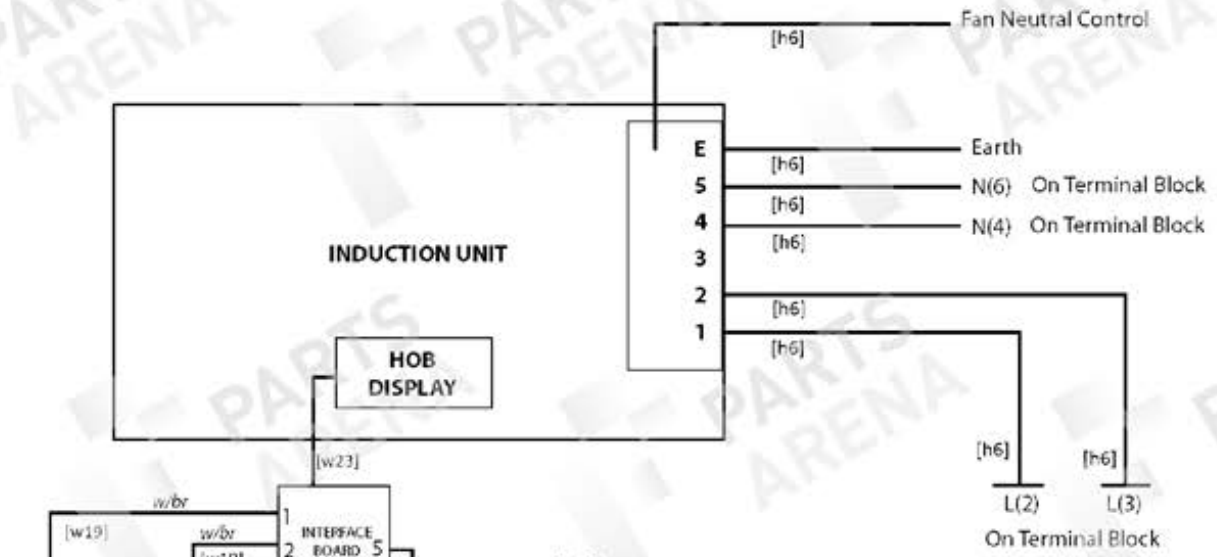


Key	Ref Number	Part number	Quantity	Remarks
850	w1	P027233	1	Wire - RH Oven Neutral Link
851	w2	P037863	2	Wire - RH Oven Feed to Thermostat
852	h1	P038909	1	Harness Assembly - RH Oven Oven
853	w3	P040066	2	Wire - Over Heat Stat Link - RH_LH Oven
854	h2	P045282	1	Harness Assembly - Grill Element Energy Reg Link
855	w4	P048632	1	Wire - Clock to MF Oven Feed
856	w5	P050508	1	Wire - Cooling Fan Feed
857	w6	P055344	2	Wire - Energy Reg Link Neon Feed Grill
858	w7	P055374	2	Wire (N) - Grill Element Earths
859	w8	P094943	3	Wire (N) - Thermostat Earths
860	h3	P045283	1	Harness Assembly - LH Oven Harness
861	h4	P051915	1	Harness Assembly - Mains terminal Block to Induction Unit Connector
863	w9	P051916	1	Wire - Neutral 2nd Clock Relay - Cooling Fan Control
864	w10	P054917	1	Wire - Neutral_Clock to LH Oven Switch
865	w11	P045284	1	Wire (N) - Earth Link RH Oven
871	w12	P052073	1	Wire (N) - Earth Link LH Oven
872	w13	P050986	1	Wire - Neutral Link LH Oven_Fan_Element

Code	Description
A1	Grill Control
A2	Grill Element Left Hand Side
A3	Grill Element Right Hand Side
B1	Left Hand Fan Oven Thermostat
B2	Left hand Fan Oven Control
B3	Left Hand Oven Fan Element
B4	Left Hand Fan Oven Fan

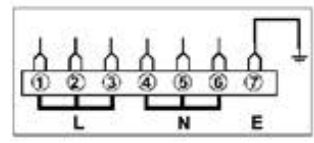
Code	Description
C	Clock
D1	Right Hand Fan Oven Thermostat
D2	Right Hand Fan Oven Control
D3	Right Hand Fan Oven Element
D4	Right Hand Fan Oven Fan
F1	Oven Light Switch
F2	Oven Light
G	Neon
H	Thermal Cut Out
I	Induction Relay
J	Cooling Fan

Code	Colour
b	Blue
br	Brown
bk	Black
or	Orange
r	Red
v	Violet
w	White
y	Yellow
g/y	Green/Yellow
gr	Grey



**KEY**

1	Front left
2	Rear left
3	Rear right
4	Front right
5	Centre
W/BR	White or Brown



100 cm  
INDUCTION UNIT

866	w19	P043939	2	WIRE ROTARY CONTROL
867	w20	P040924	1	WIRE ROTARY CONTROL
868	w21	P043937	1	WIRE ROTARY CONTROL
869	w22	P043936	1	WIRE ROTARY CONTROL
870	w23	P051766	1	HARNESS - 8 WIRE LIN BUS
872	h6	P051839	1	Harness Assembly - Induction unit Connector to Induction unit