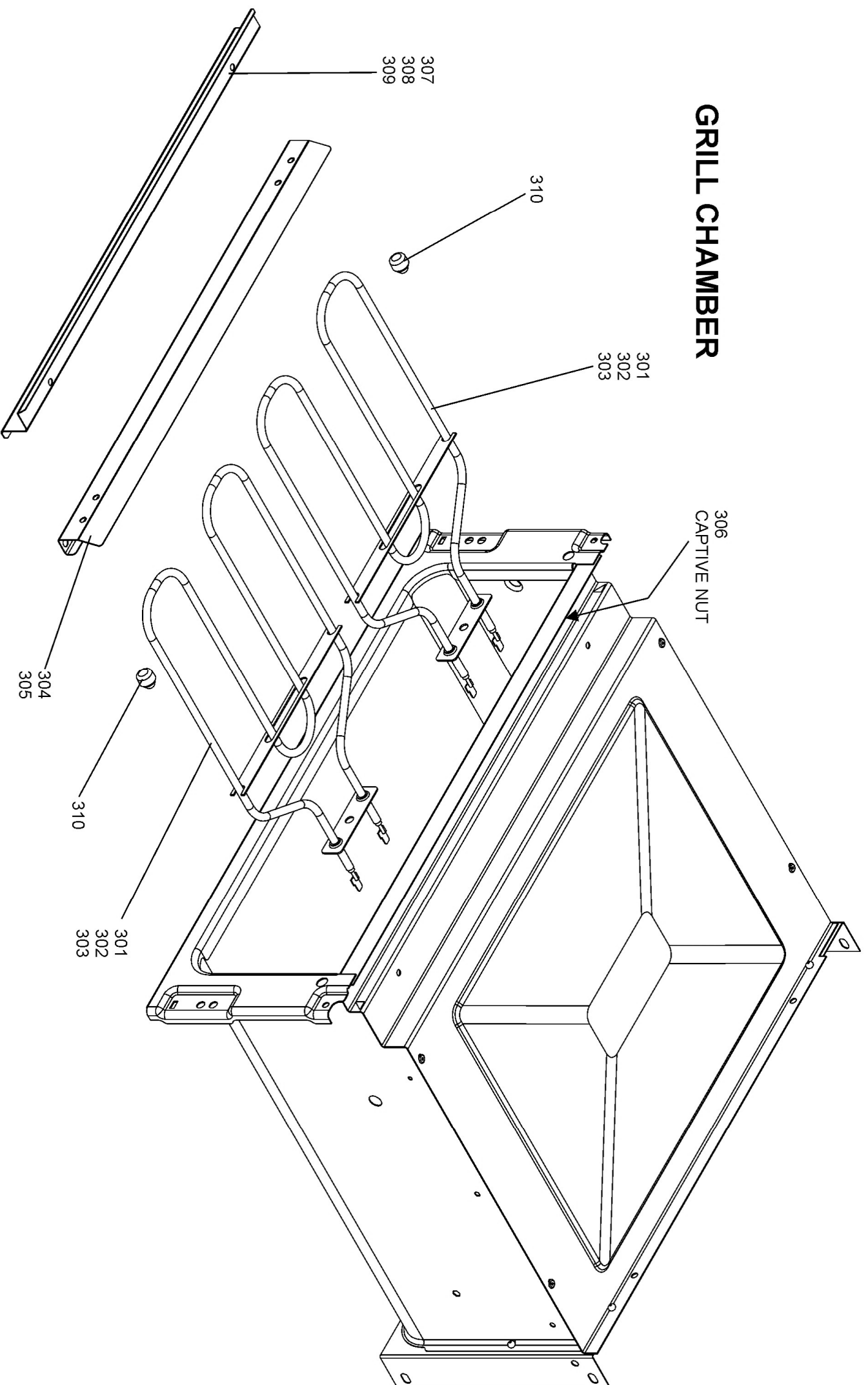
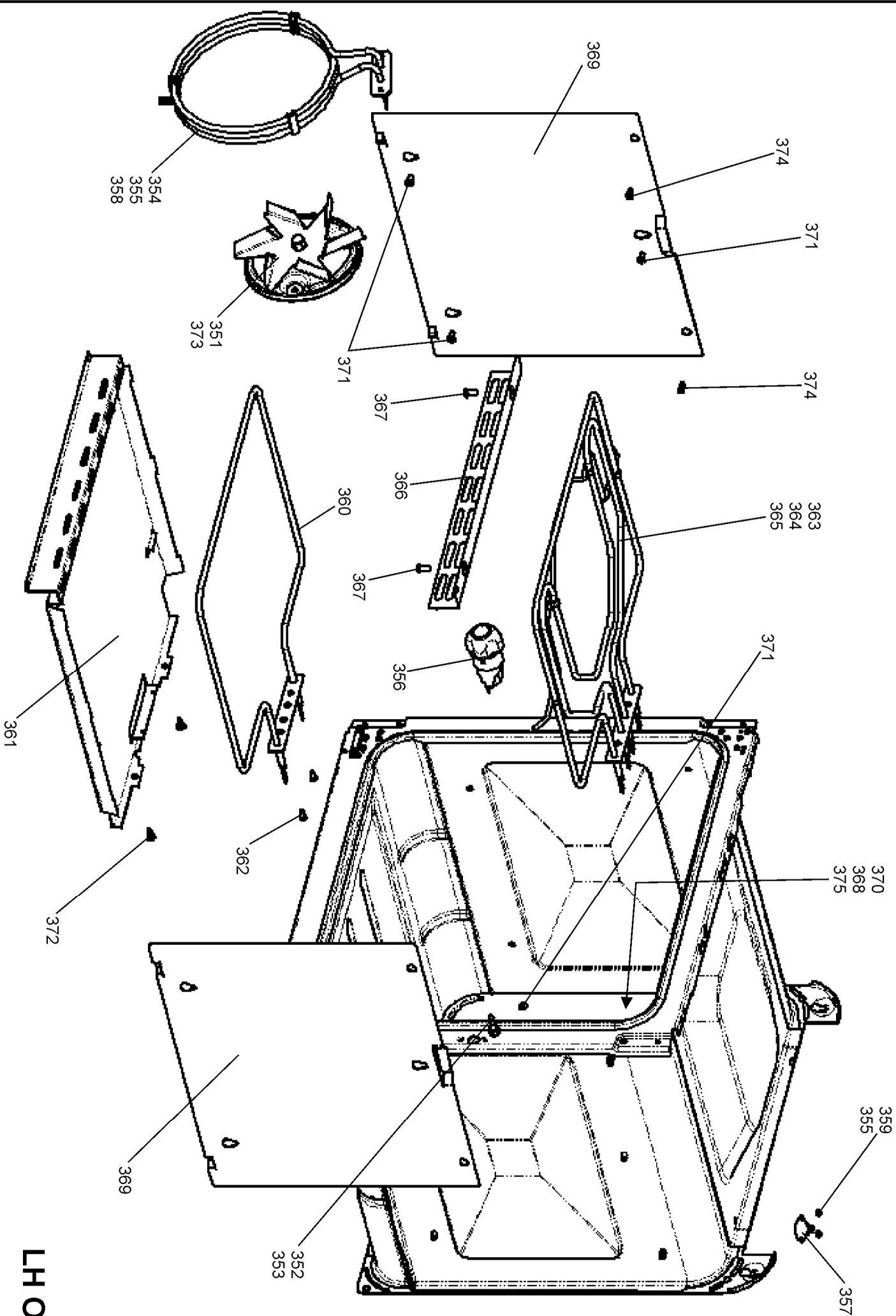
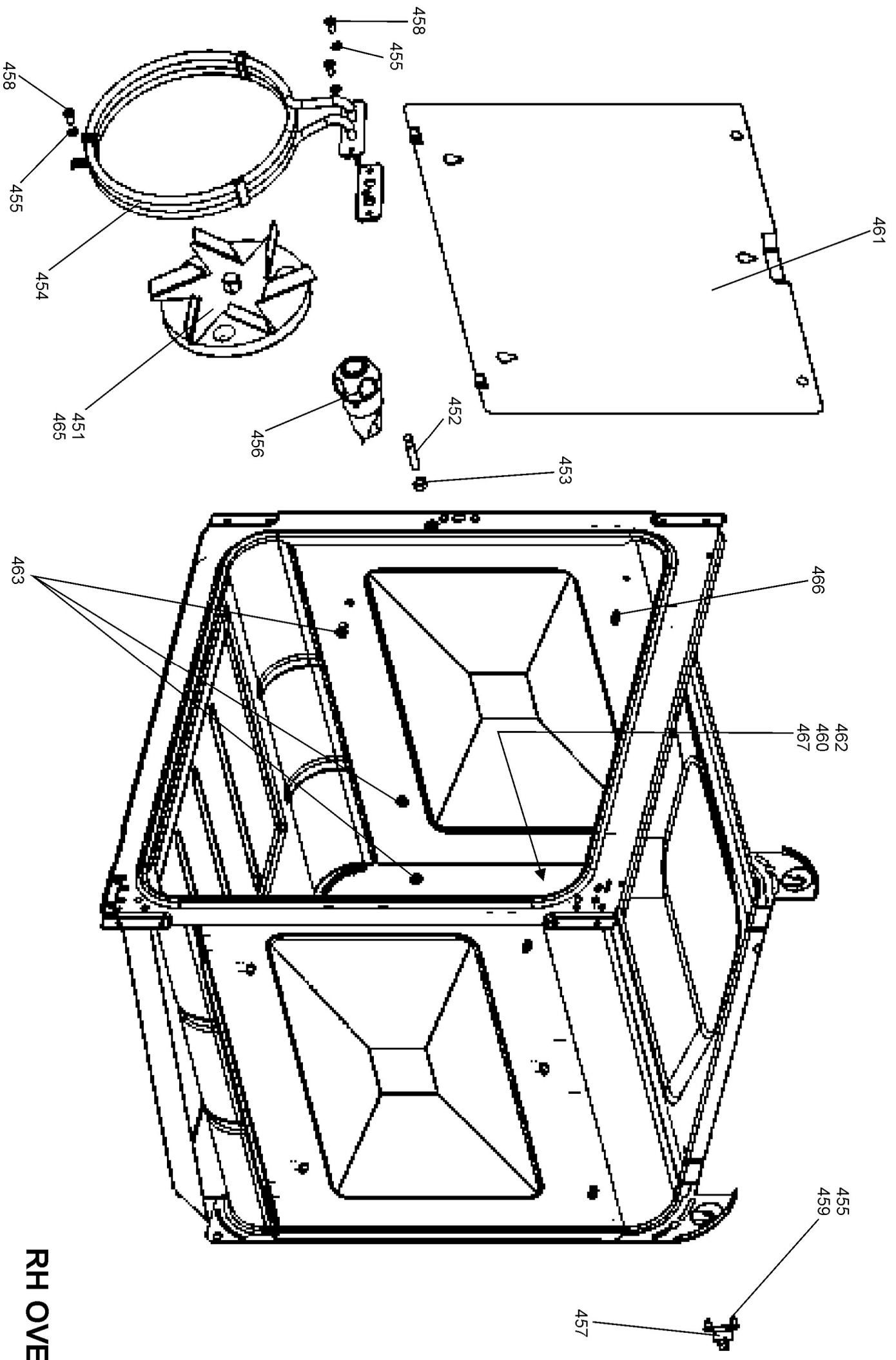


GRILL CHAMBER

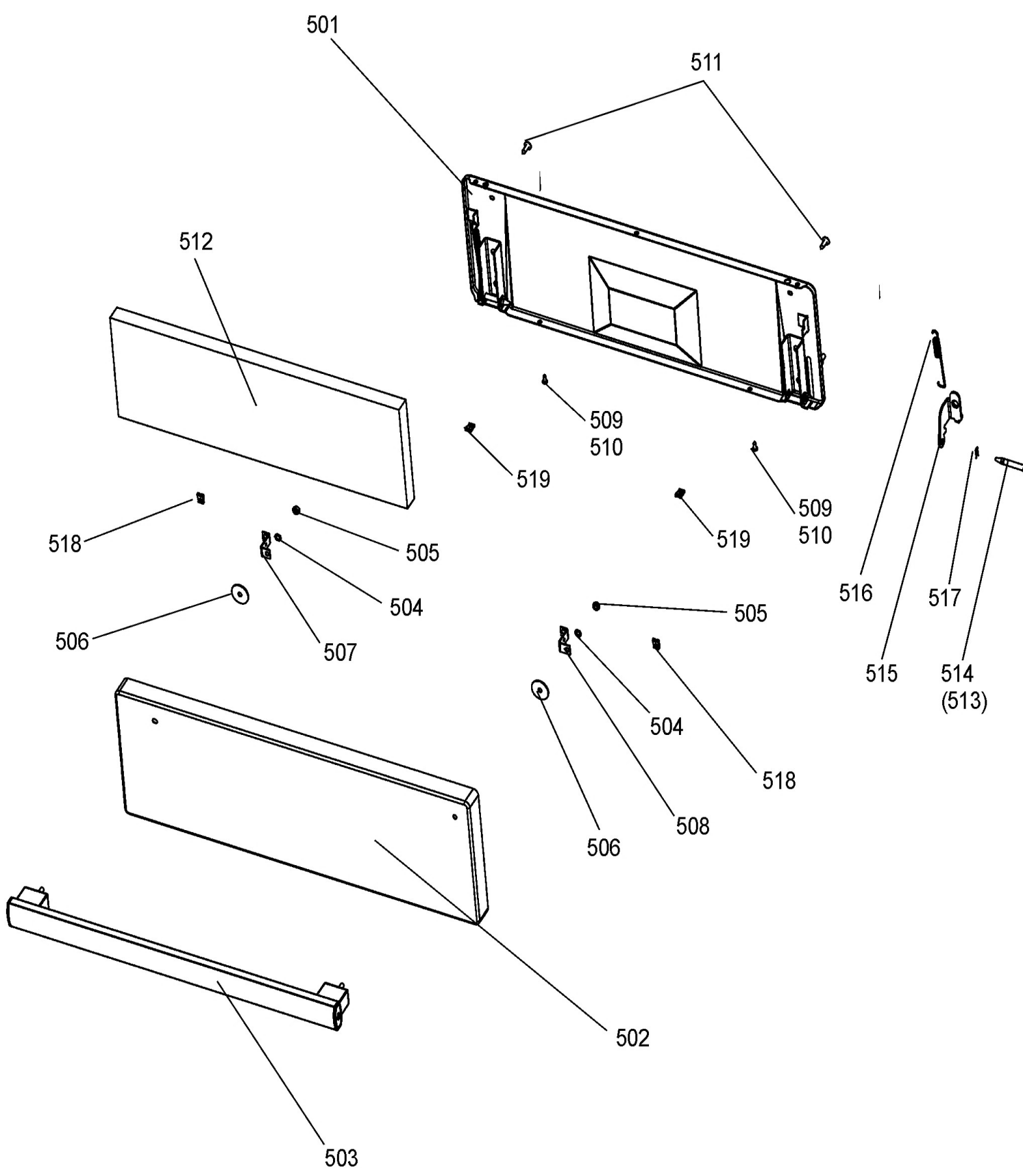




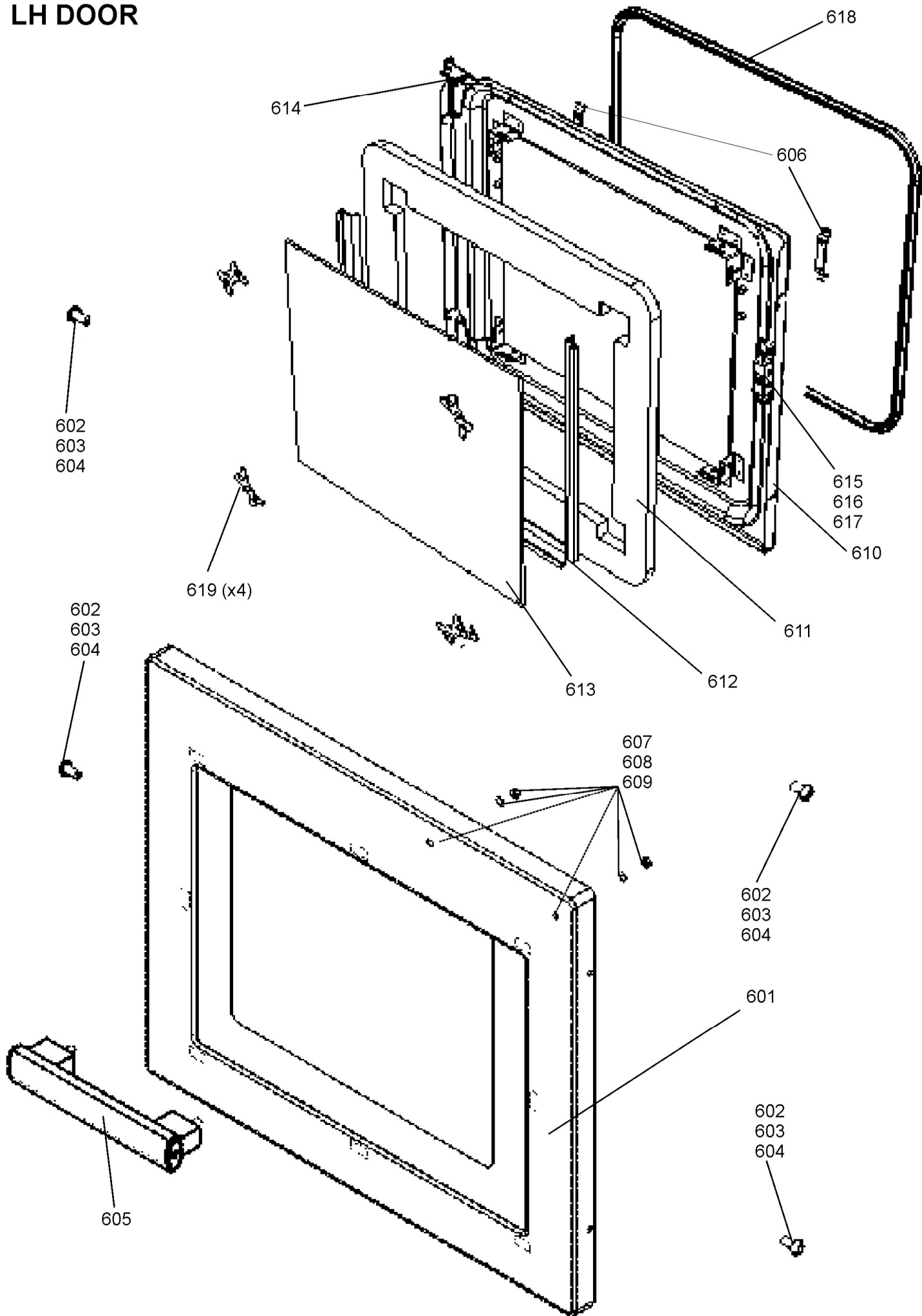
LH OVEN



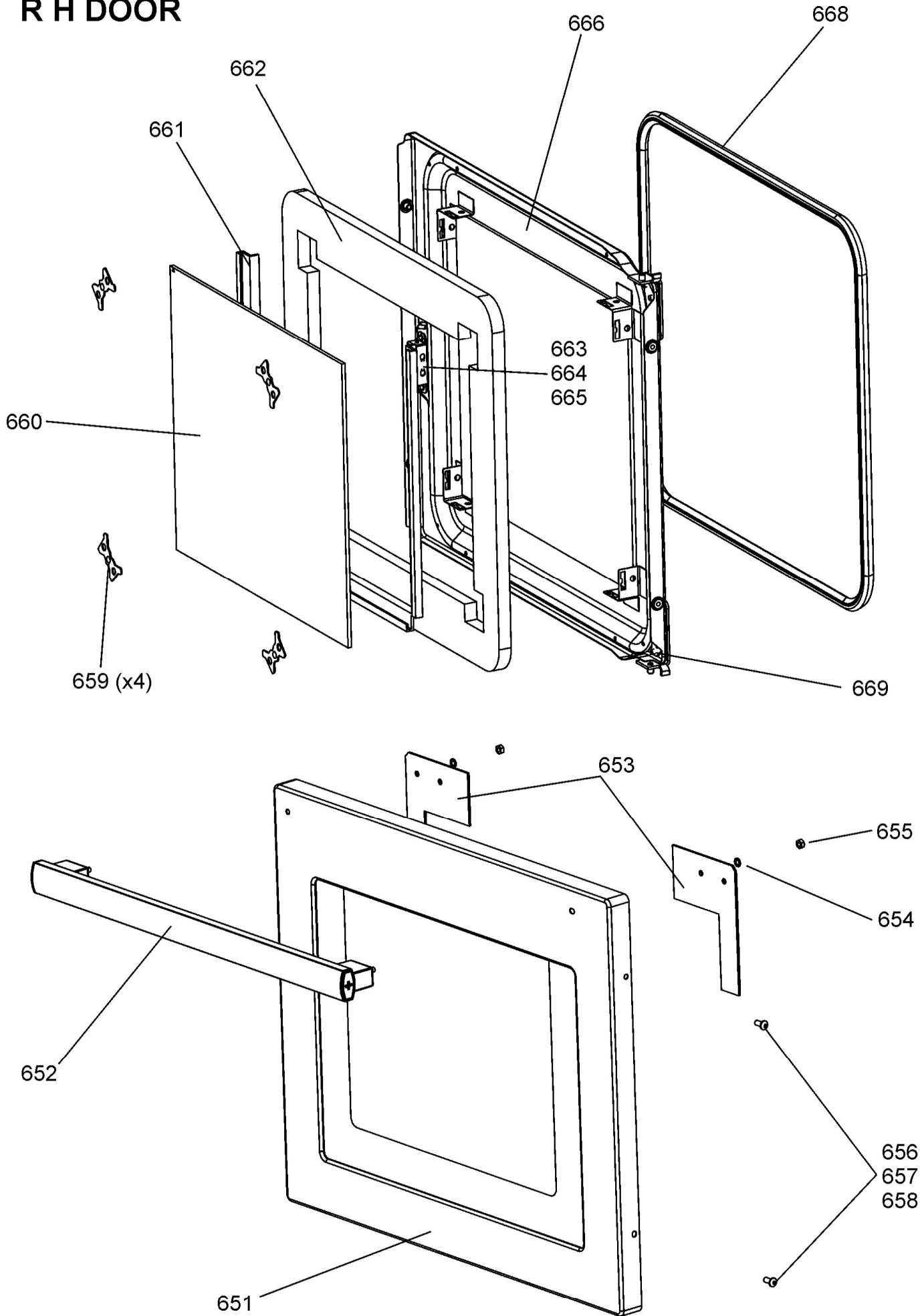
RH OVEN

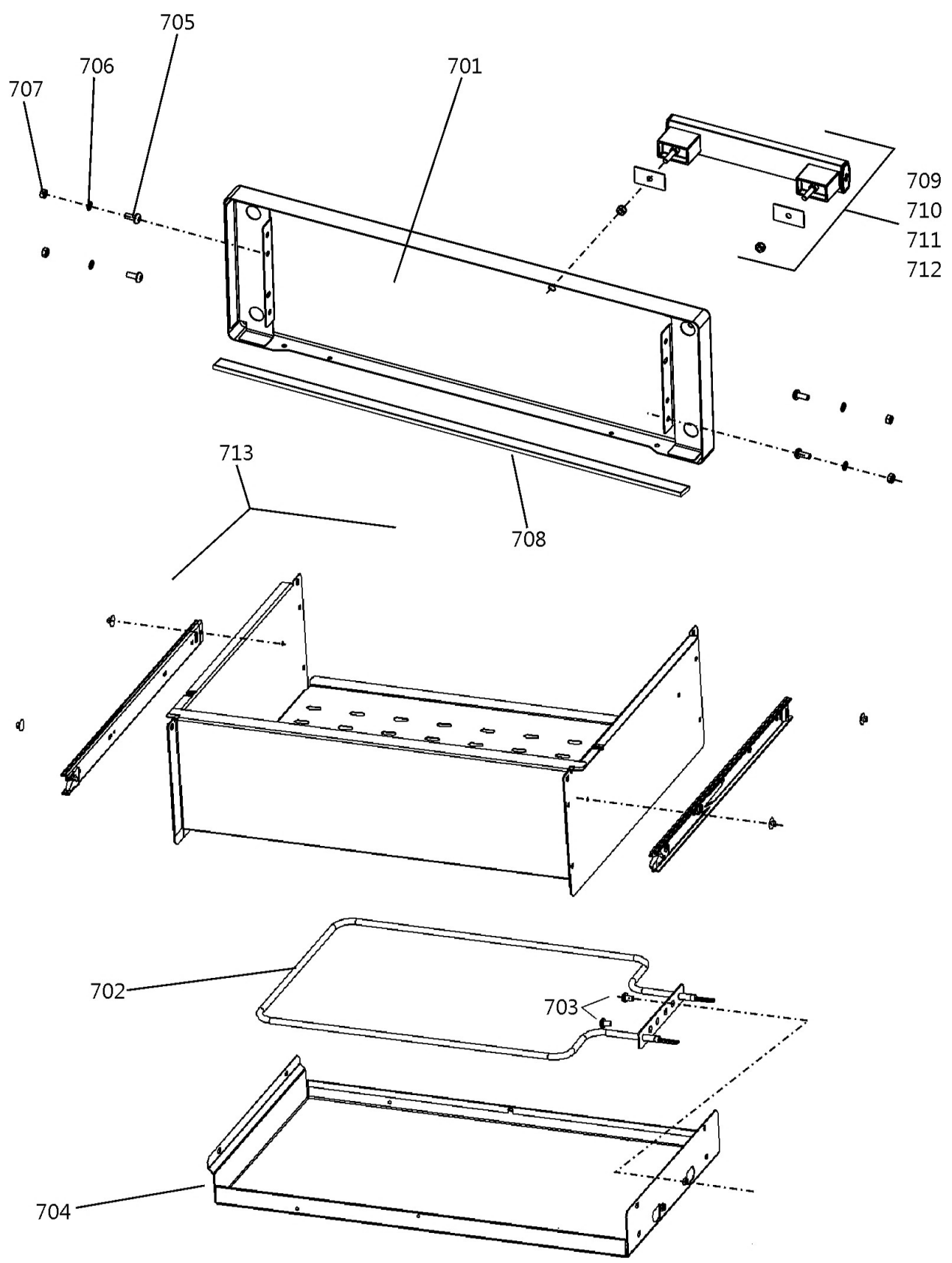


LH DOOR

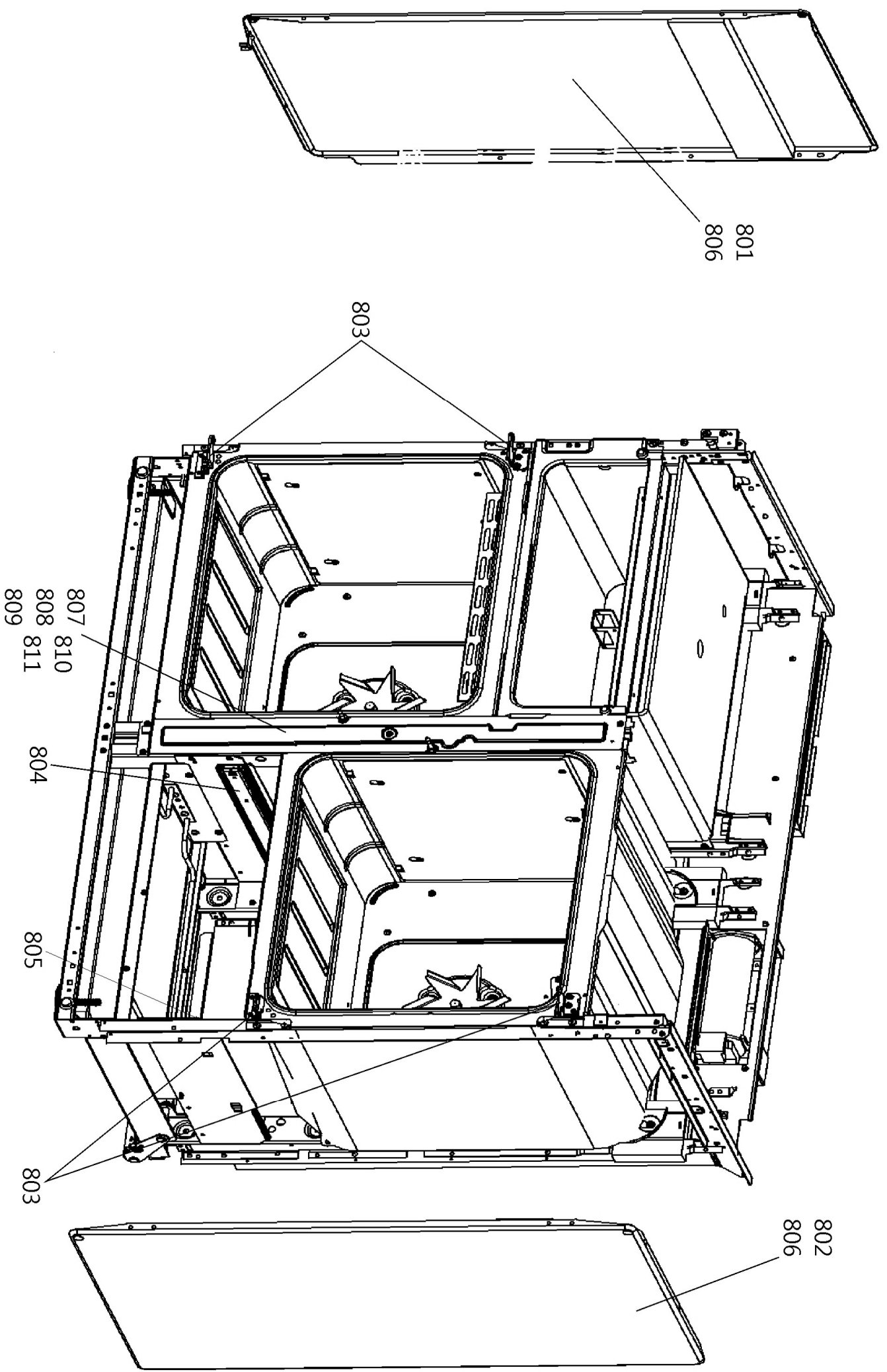


R H DOOR





BREAD PROVING DRAWER

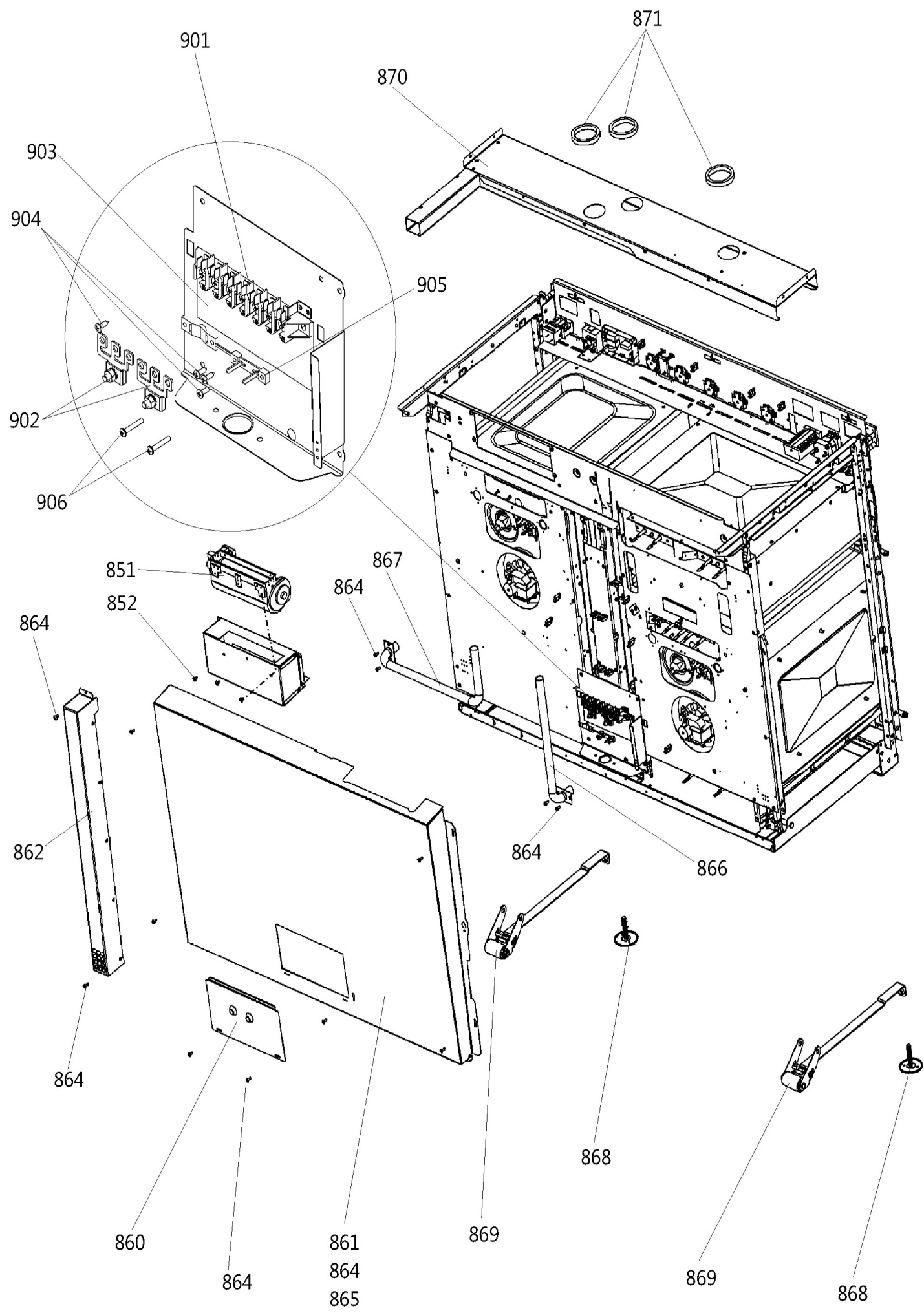


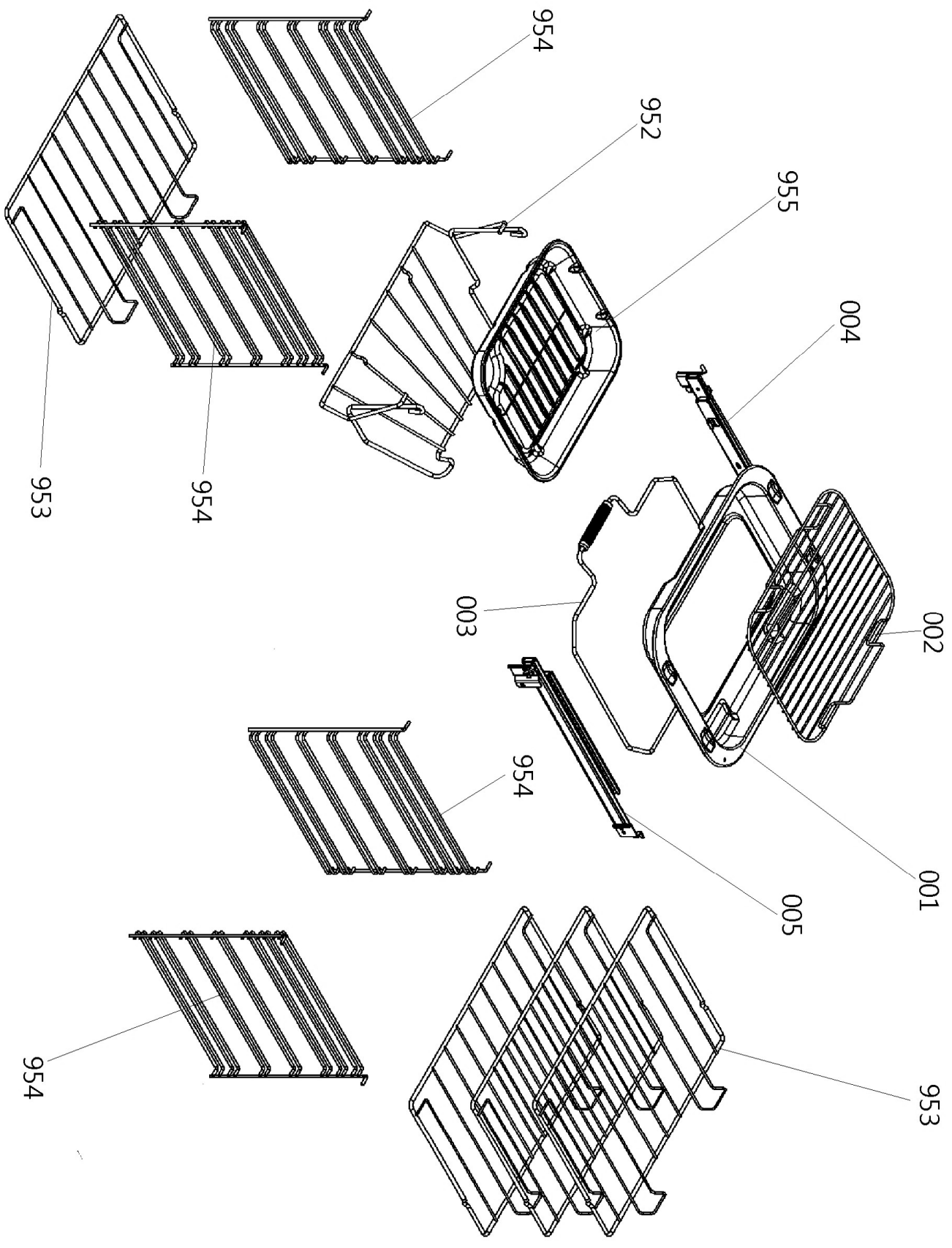
PROFESSIONAL DELUXE 110 INDUCTION DSL0683 P12

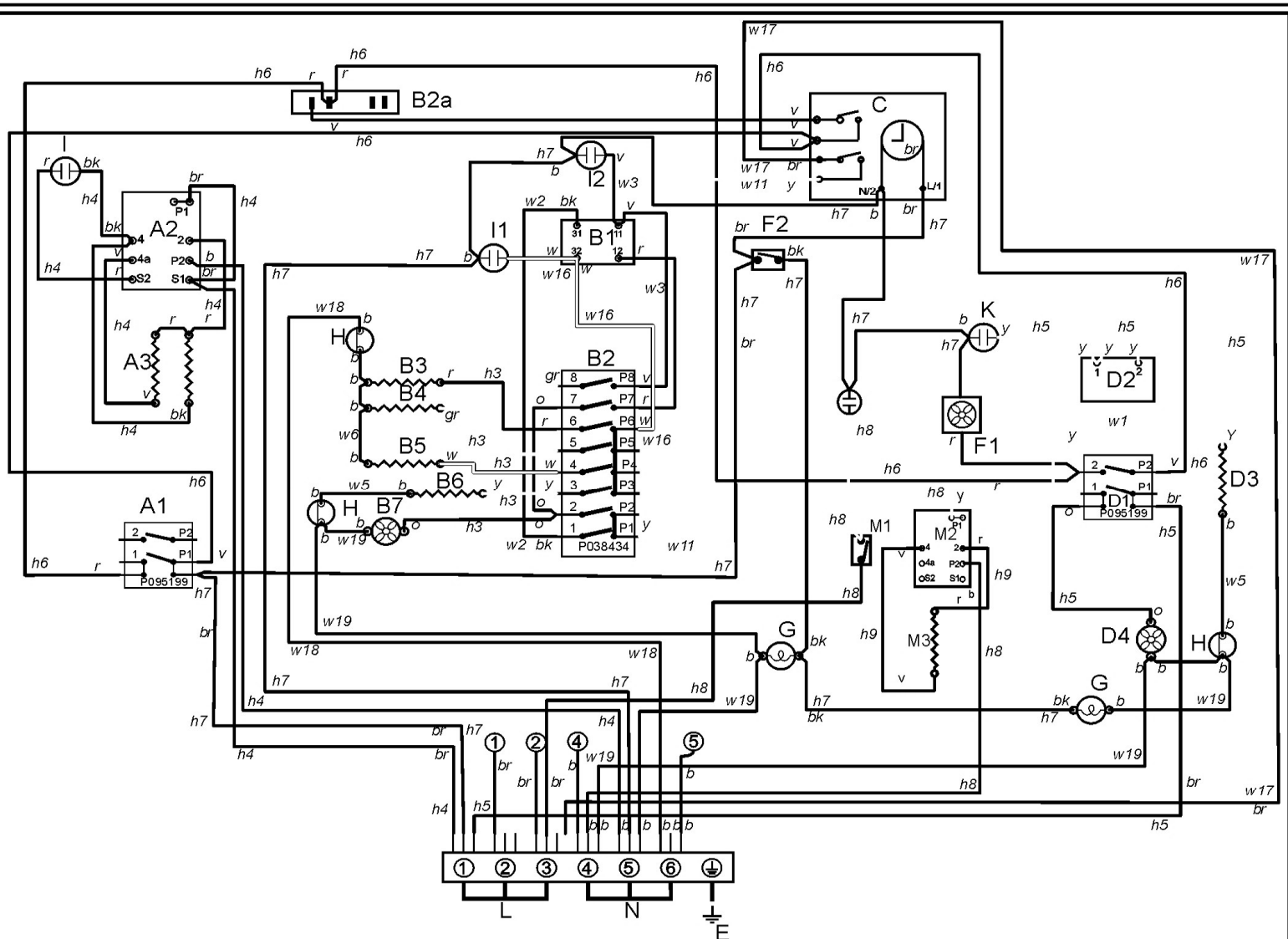
NEW from Serial No 186000

DATE 01.11.16

ISSUE STATUS 01







Ref N°	Part N°	Colour	Quantity	Description
w1	P037863	y	1	WIRE ASSEMBLY - RH SWITCH LINKS
w2	P038186	bk	1	LINK (TRIPLE REG. / SWITCH) - MF SWITCH TO STAT
w3	P064457	v	1	WIRE ASSY VIOLET - MF OVEN NEON LINK
w4	P042859	g/y	1	NI - HARNESS - EARTH LH / RH BACKS
w5	P040066	b	2	WIRE ASSY - TRIP TO ELEMENTS NEUTRAL LINKS
w6	P040694	b	1	WIRE ASSY (NEUTRAL BLUE DAISY)
w7	P040924	br	1	NI - CABLE - PCB TO ROTARY CONTROL 2
w8	P043936	br	2	NI - WIRE ROTARY CONTROLS 3 & 4
w9	P043937	br	1	NI - WIRE ROTARY CONTROL 5
w10	P043939	br	1	NI - WIRE ROTARY CONTROL 1
w11	P048632	y	1	YELLOW LINK TIMER LH OVEN SWITCH
w12	P051766	br	1	NI - 8 WIRE LIN BUS - K6 TO INTERFACE BOARD
h1	P051839	br/b/g/y	1	NI - HOB SUPPLY HARNESS , CONNECTOR TO IND. UNIT
w13	P052073	g/y	1	NI - HARNESS - EARTH IND. UNIT / CHASSIS
h2	P064446	b/br	1	NI - HARNESS - MAINS-TERMINAL/CONNECTOR
h3	P064444	r/or/y/w/gr	1	MF Oven Rapid Heat Harness
h4	P064445	r/bk/b/v/br	1	Grill Harness
w14	P055374	g/y	2	NI - WIRE ASSEMBLY - GRILL EARTHS LINKS
h5	P064454	or/br/y	1	Fanned Harness
w15	P094943	g/y	2	NI - WIRE ASSEMBLY - RH OVEN STAT EARTH LINK
w16	P064455	w	1	WIRE ASSEMBLY
h6	P064447	r/v	1	Cooling Fan Harness
w17	P064448	br	1	Brown Link - TB to Timer Relay
h7	P064456	b/bk	1	Auxiliary Harness
w18	P094947	b	1	Neutral Links
w19	P043964	b	2	Neutral Links
h8	P064815	b/br/y	1	Fascia Switch Harness
h9	P062327	v/r	1	Proving element to energy reg

Code	Colour
b	Blue
br	Brown
bk	Black
or	Orange
r	Red
v	Violet
w	White
y	Yellow
g/y	Green/yellow
gr	Grey