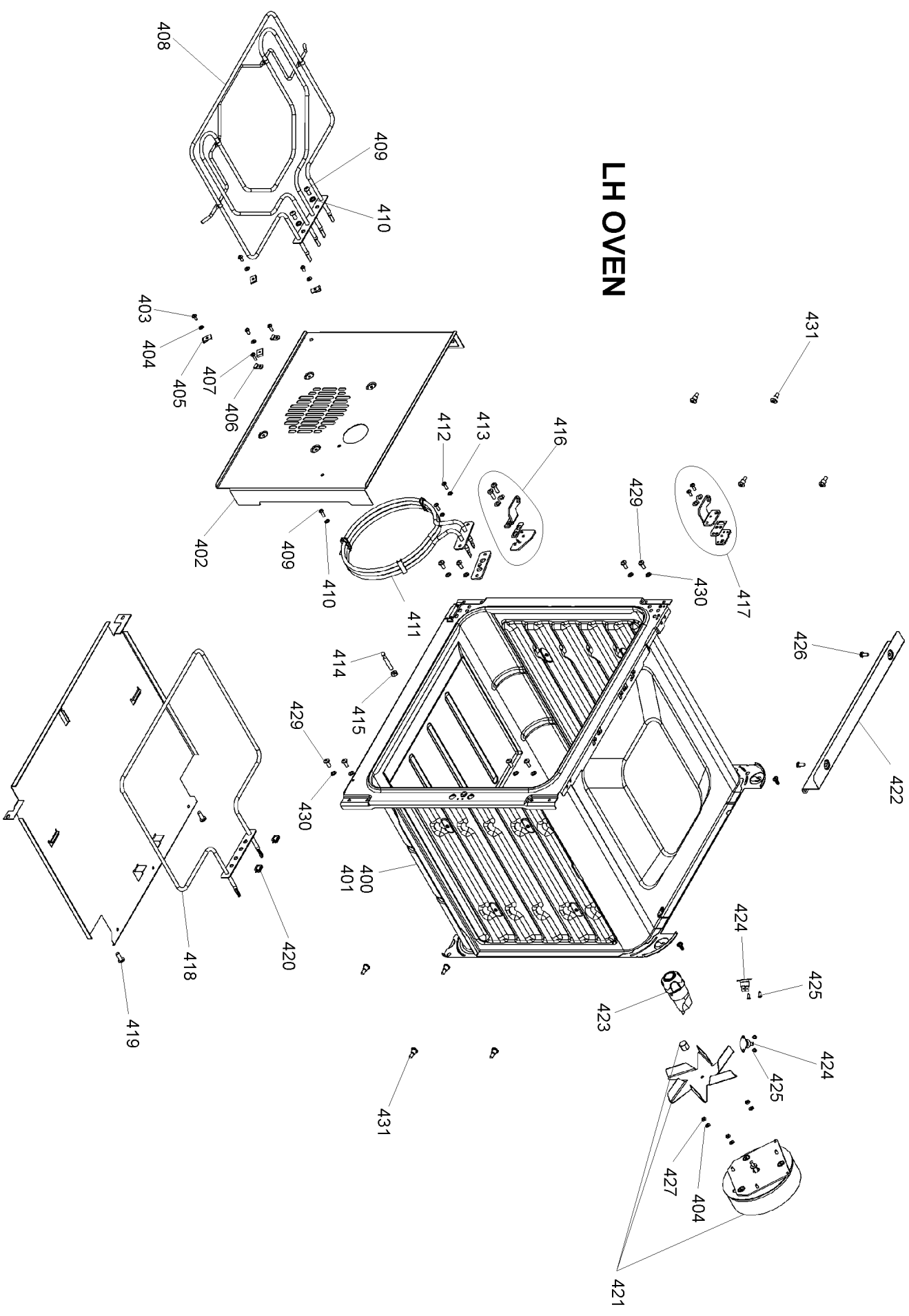
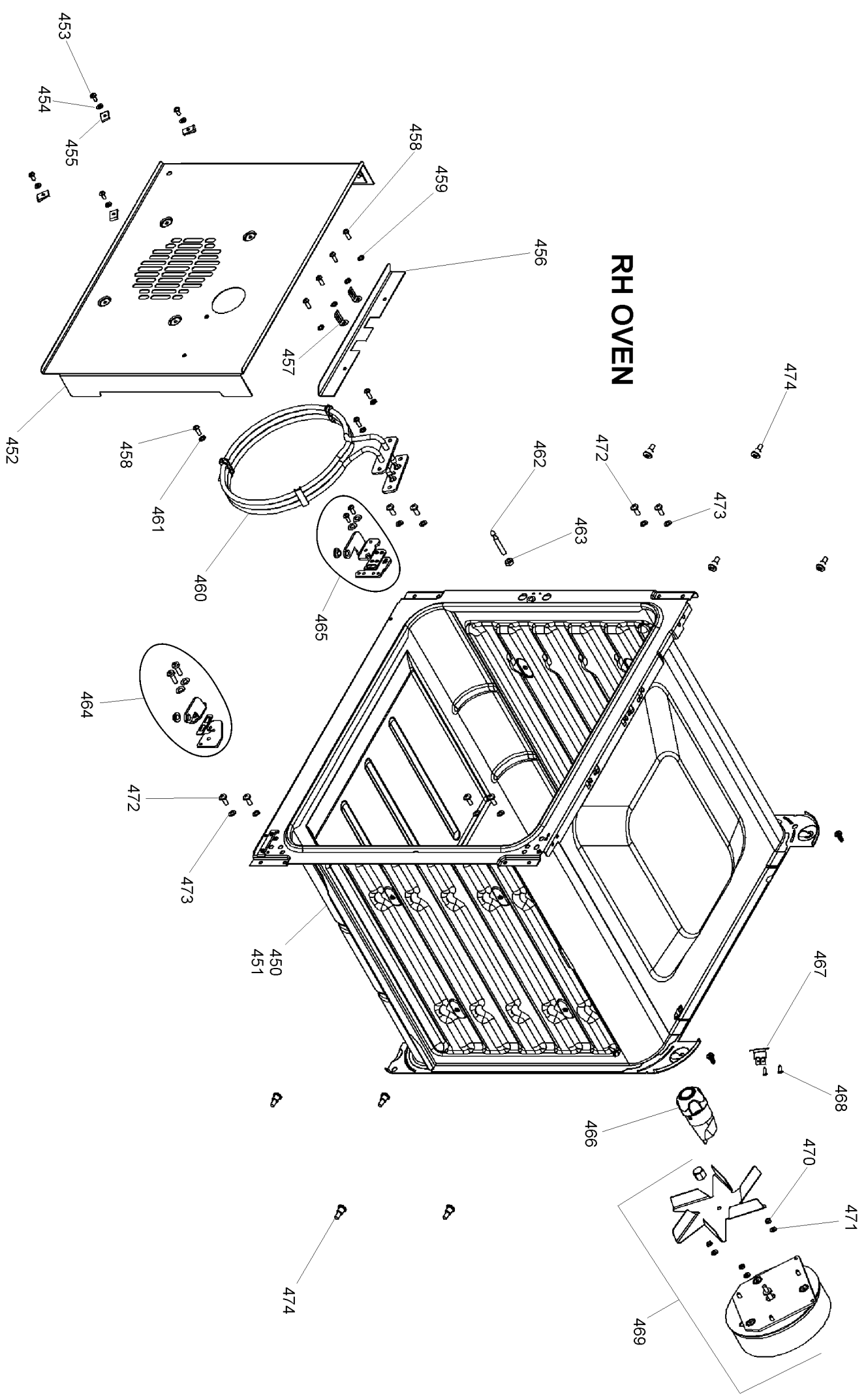
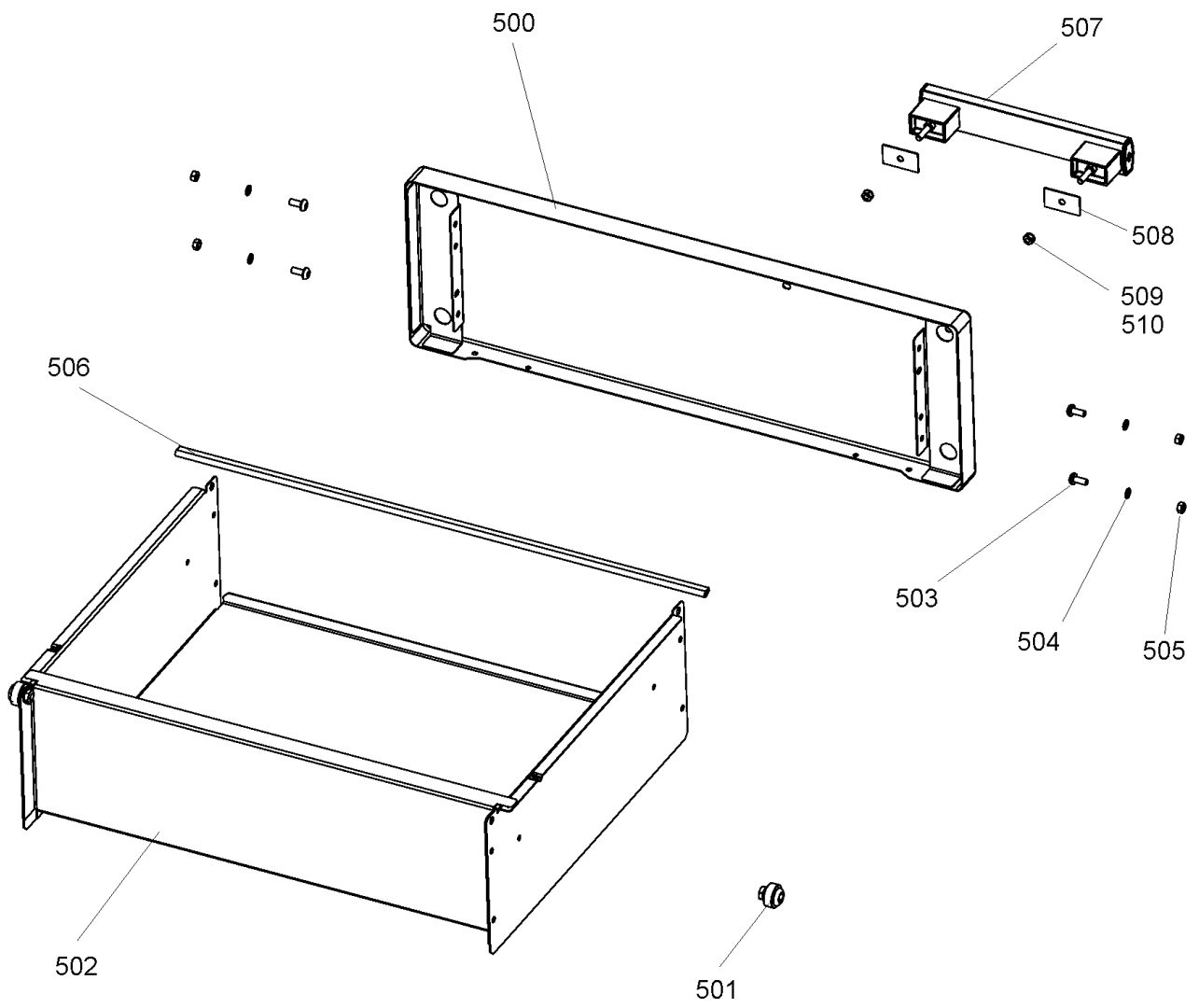


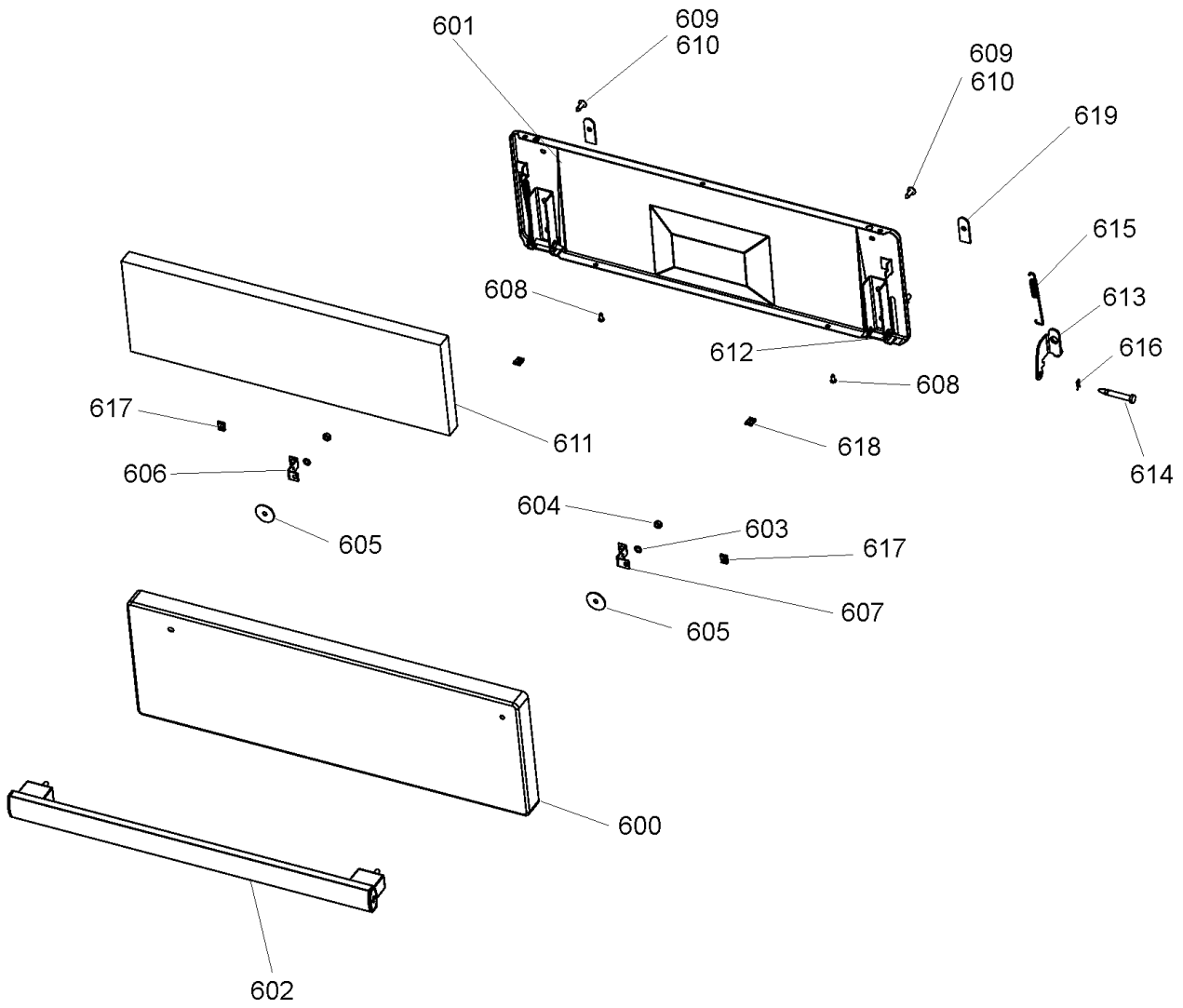
LH OVEN



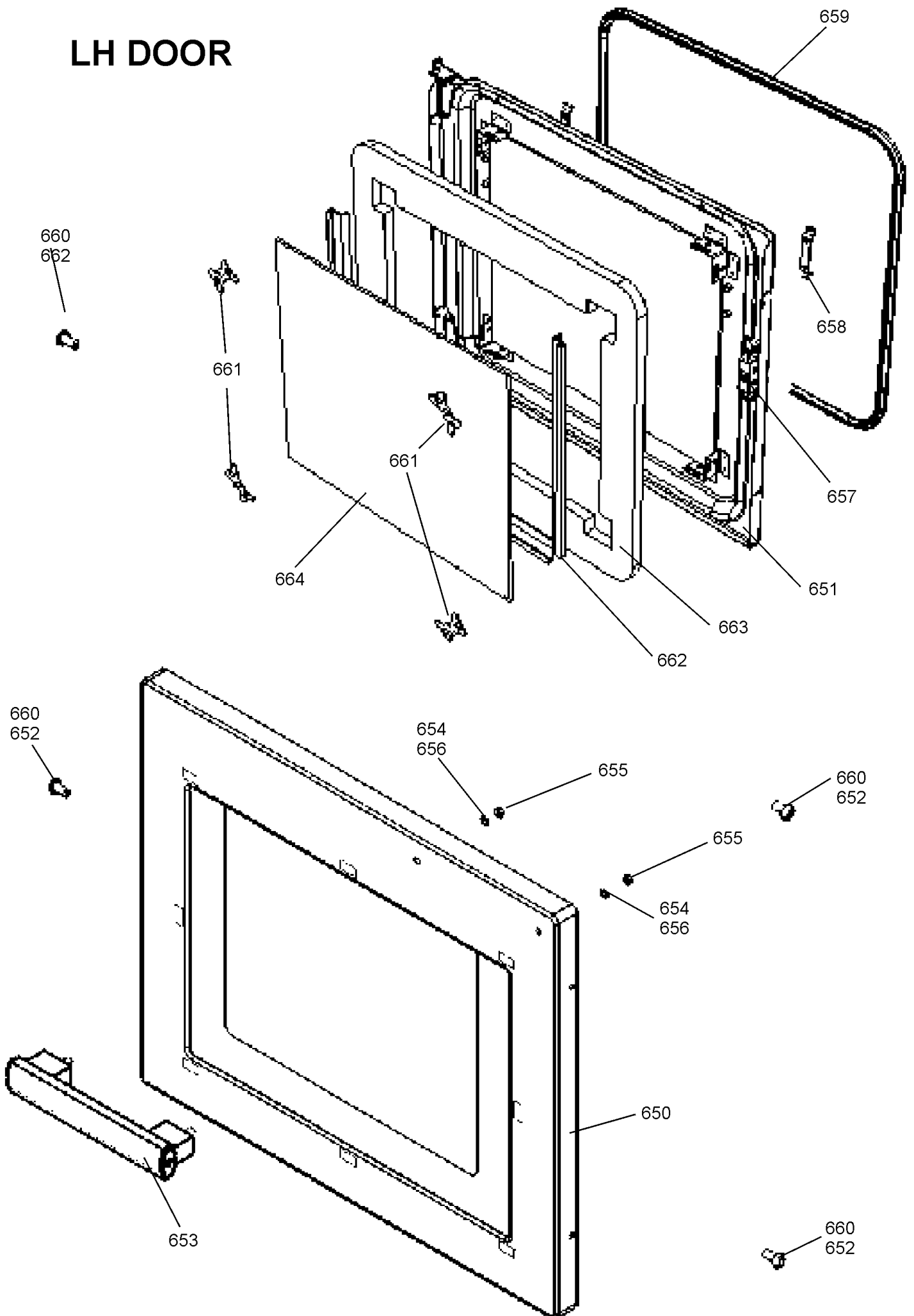
RH OVEN



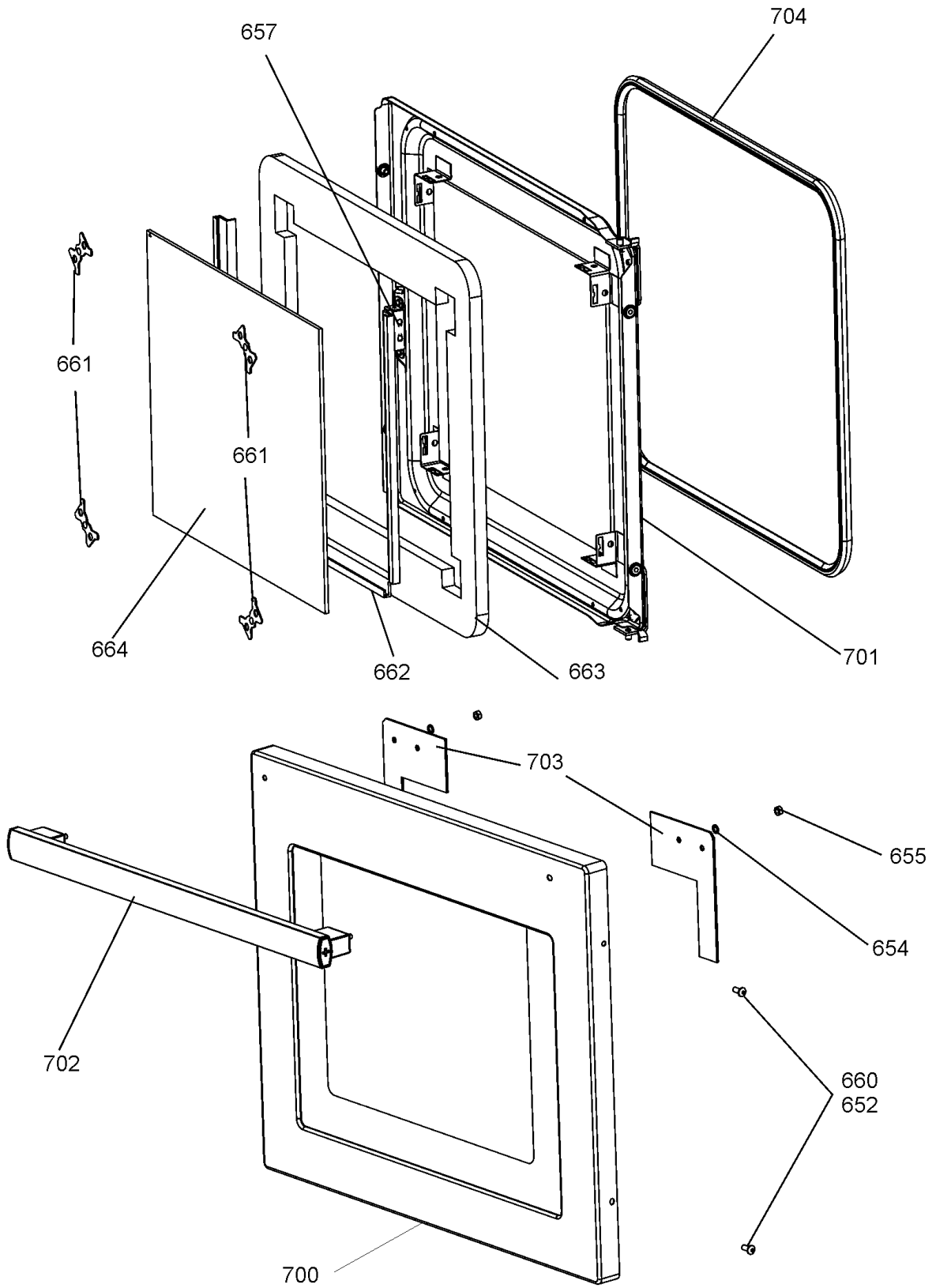


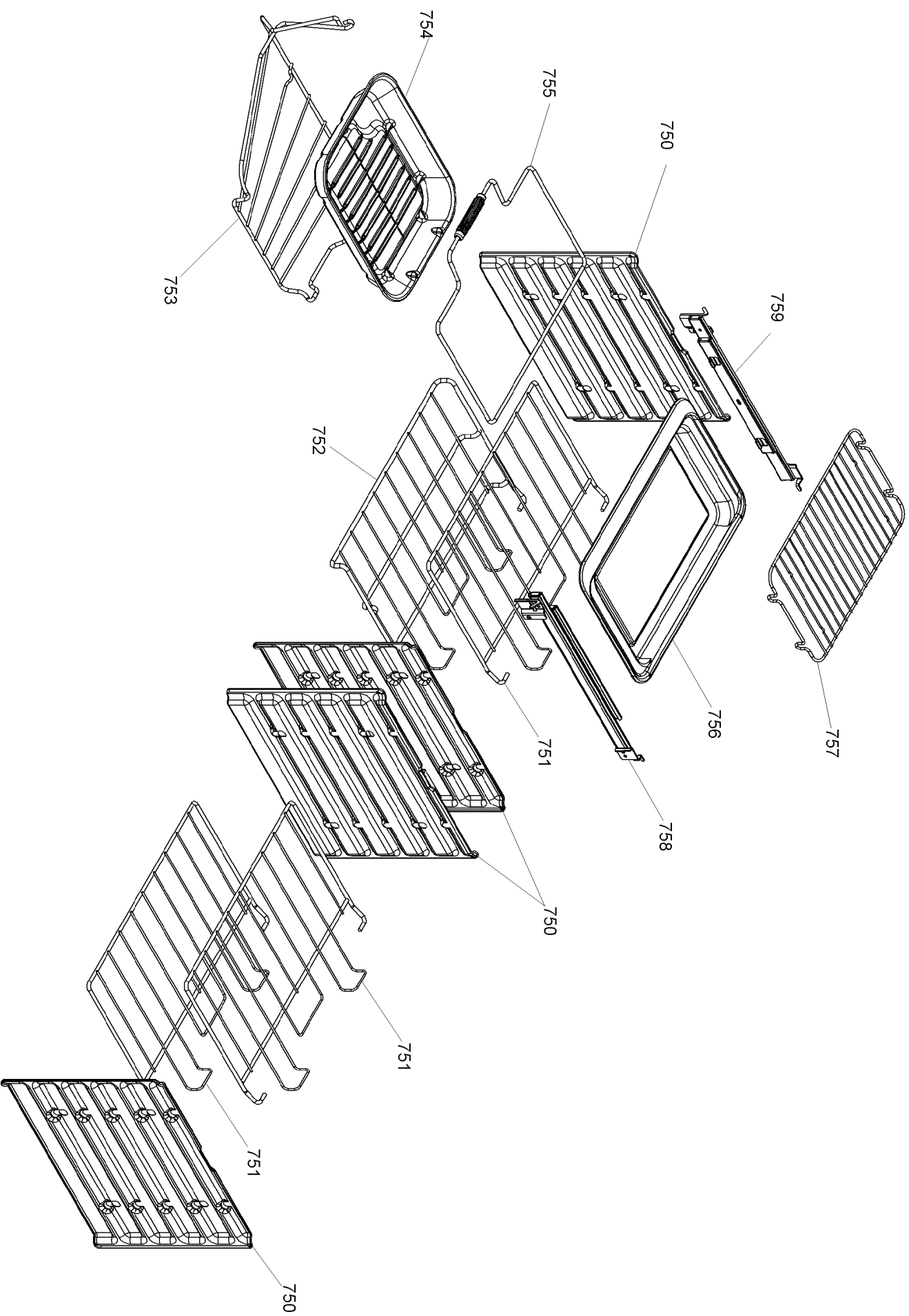


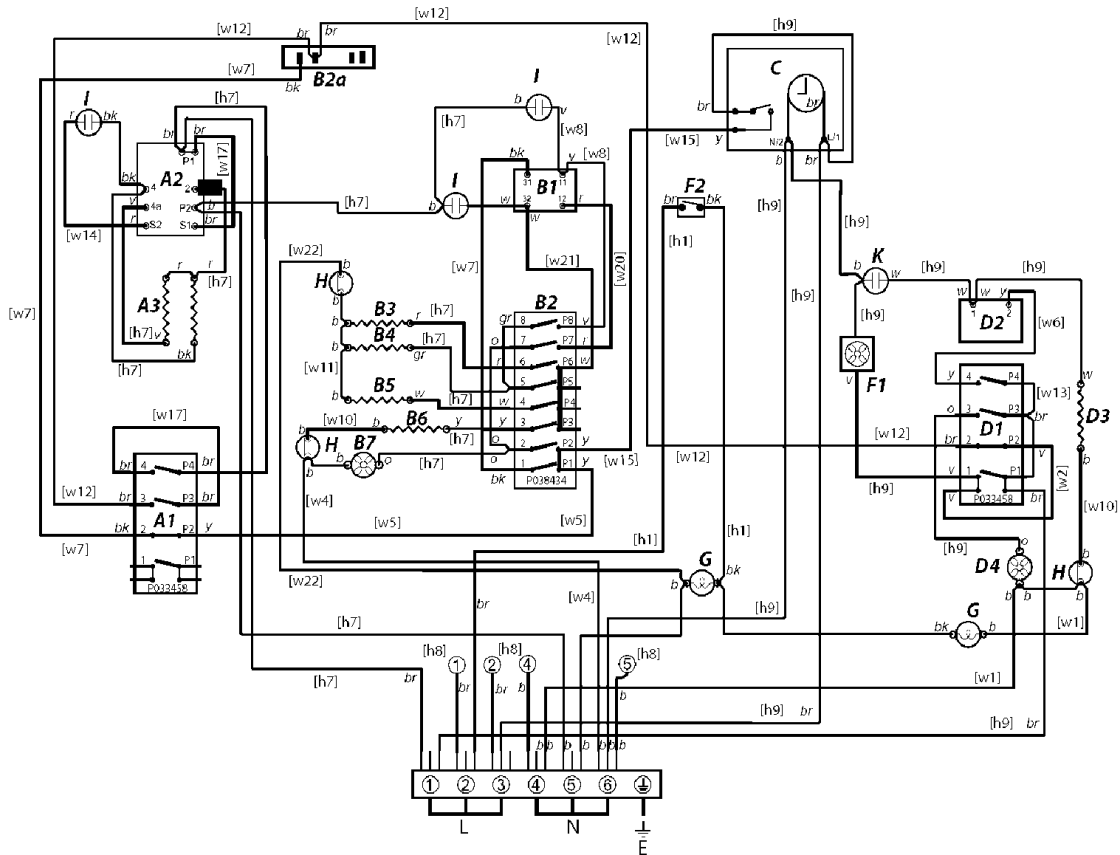
LH DOOR



RH DOOR







Ref Number	Part number	Colour	Quantity	Remarks
[w1]	P025995	b	1	Wire - RH Oven Neutral Link
[w2]	P033086	v	1	Wire - RH Stat Front Switch Link
[w3]	P033677	g/y	1	Wire - (N/I) Earth Link LH Oven
[w4]	P036011	b	1	Wire - Neutral - MF Fan Element and Fan
[w5]	P037438	y	1	Wire - Grill Switch to MF Switch, Fan Link
[w6]	P037863	y	1	Wire - RH Oven Front Switch to Thermostat Link
[w7]	P038186	bk	2	Wire - Link MF Switch to thermostat and Link Grill Front Switch to MF Stat Front Switch
[w8]	P033367	v	1	Wire - MF Oven Neon link to Thermostat and MF Switch
[w9]	P042859	g/y	1	Wire - (N/I) RH Oven Earth link
[w10]	P040066	b	2	Wire - Cut Out trip to elements neutral links
[w11]	P040694	b	1	Wire - LH Oven neutral link
[w12]	P040715	br	1	Wire - Fan Control link Front Switches
[w13]	P040718	br	1	Wire - RH Oven front Switch Link
[w14]	P040719	r	1	Wire - LH Oven Neon Link
[h1]	P040760	br/bk	1	Harness - Light Switch Links
[h2]	P043936	br	1	Harness - LIN Rotary Control 3
[h3]	P043937	br	1	Harness - LIN Rotary Control 4
[h4]	P043939	br	3	Harness - LIN Rotary Control 1,2 and 5
[w15]	P048632	y	1	Wire - LH MF Oven to Clock Link
[h5]	P051766	br	1	Harness - LIN K6 to Interface Board
[h6]	P051839	br/b/g/y	1	Harness - Connector to Induction Hob Unit
[w16]	P052073	g/y	1	Wire - (N/I) Protective Earth Hob to Chassis
[h7]	P052839	bk/v/br/b/g/r/w/or	1	Harness - LH Oven and GRILL Control
[w17]	P055344	br	2	Wire - Grill Energy Reg link and Grill Front Switch Link
[w18]	P055374	g/y	2	Wire - (N/I) Grill Earth Links
[h8]	P052814	br/b/g/y	1	Harness - Induction Hob Supply G5 2 Phase
[h9]	P059324	br/b/or/w/v	1	Harness - RH Oven Harness
[w19]	P084843	g/y	2	Wire - (N/I) LH and RH Thermostat Earth Link
[w20]	P040719	r	1	Wire - Rapid Heat Thermostat to MF Switch Link
[w21]	P095585	w	1	Wire - MF Neon to Thermostat Switch Link
[w22]	P036010	b	1	Wire - Neutral - MF Top Element and Light

Code	Colour
b	Blue
br	Brown
bk	Black
or	Orange
r	Red
v	Violet
w	White
y	Yellow
g/y	Green/Yellow
gr	Grey

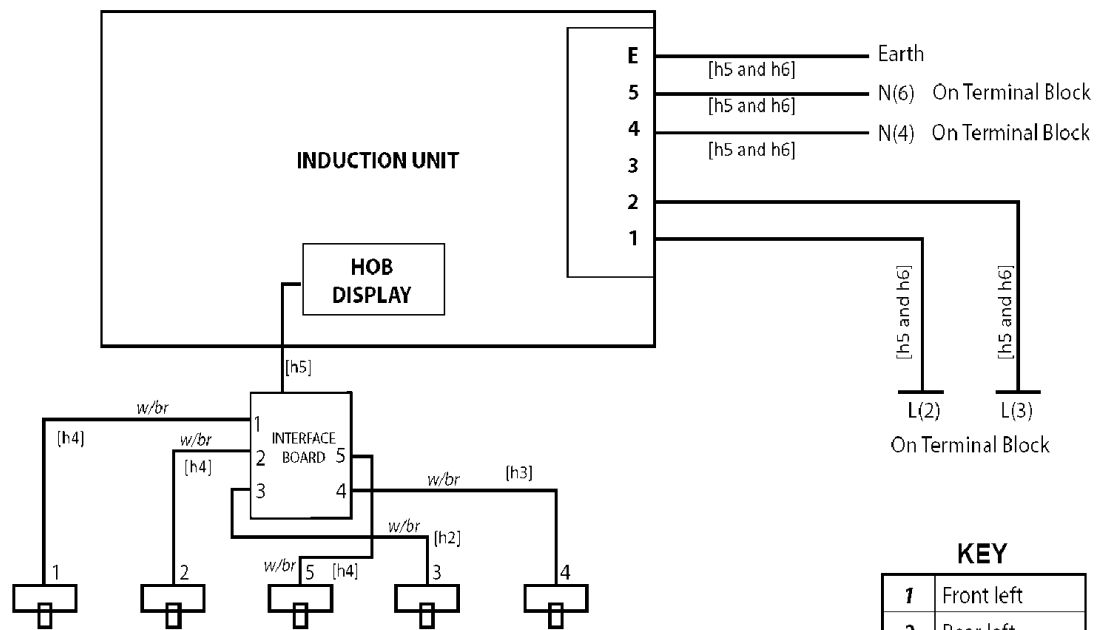
NI Not Illustrated

w - Single Cable / Single Cable with multiple terminations

h - Harness Assembly (Including Single Wires that are Sheathed)

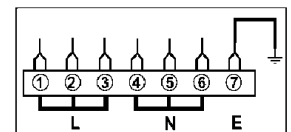
Code	Description
D1	Right Hand Oven Front Switch
D2	Right Hand Oven Thermostat
D3	Right-Hand Fan Oven element
D4	Right-Hand Oven fan
F1	Cooling Fan
F2	Ovens Light Switch
G	Oven Light(s)
H	Thermal cut-out
I	Neon

Code	Description
A1	Grill Front Switch
A2	Grill Energy Regulator
A3	Grill Elements
B1	Multi Function Oven Thermostat (Rapid Heat)
B2	Multi Function Oven Switch
B2a	Multi Function Oven Thermostat Front Switch
B3	Multi-function Base Element
B4	Multi-function oven top element (outer pr.)
B5	Multi-function oven top element (inner pr.)
B6	Multi Function Fan Element
B7	Multi-function Oven fan
C	Clock / Oven Function Timer



KEY

1	Front left
2	Rear left
3	Rear right
4	Front right
5	Centre
w/br	White or Brown



110 cm
INDUCTION UNIT

Ref Number	Part number	Colour	Quantity	Remarks
[h4]	P043939	br	3	<i>Harness</i> - Rotary Control 1,2 and 5
[h3]	P043937	br	1	<i>Harness</i> - Rotary Control 4
[h2]	P043936	br	1	<i>Harness</i> - Rotary Control 3
[h5]	P051766	br	1	<i>Harness</i> - LIN Connection K6 to Interface Board
[h6]	P051839	br/b/g	1	<i>Harness</i> - MAINS POWER - CONNECTOR BLOCK - INDUCTION UNIT
[h8]	P052814	br/b/g	1	<i>Harness</i> - MAINS POWER - TERMINAL BLOCK - CONNECTOR BLOCK