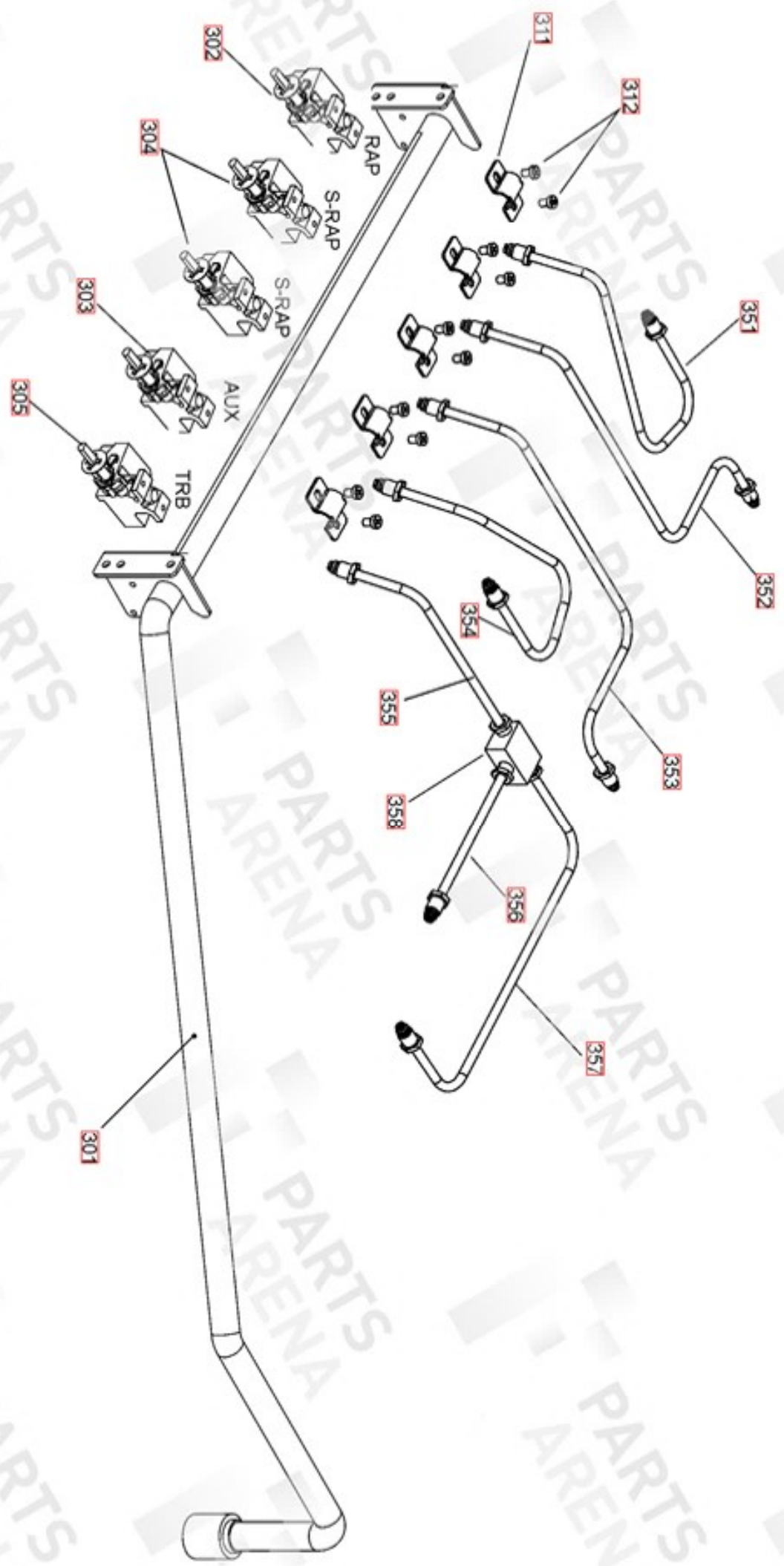
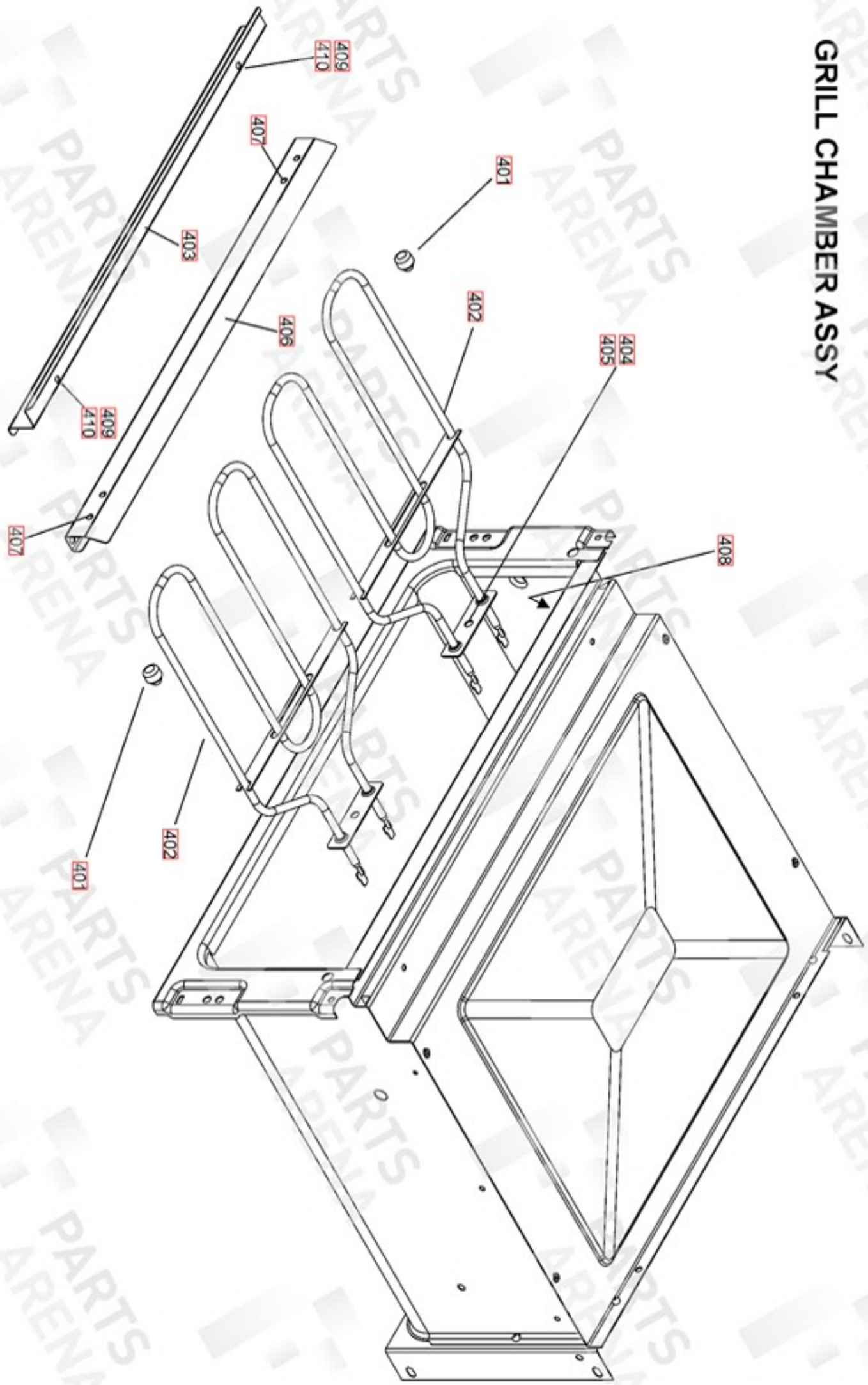


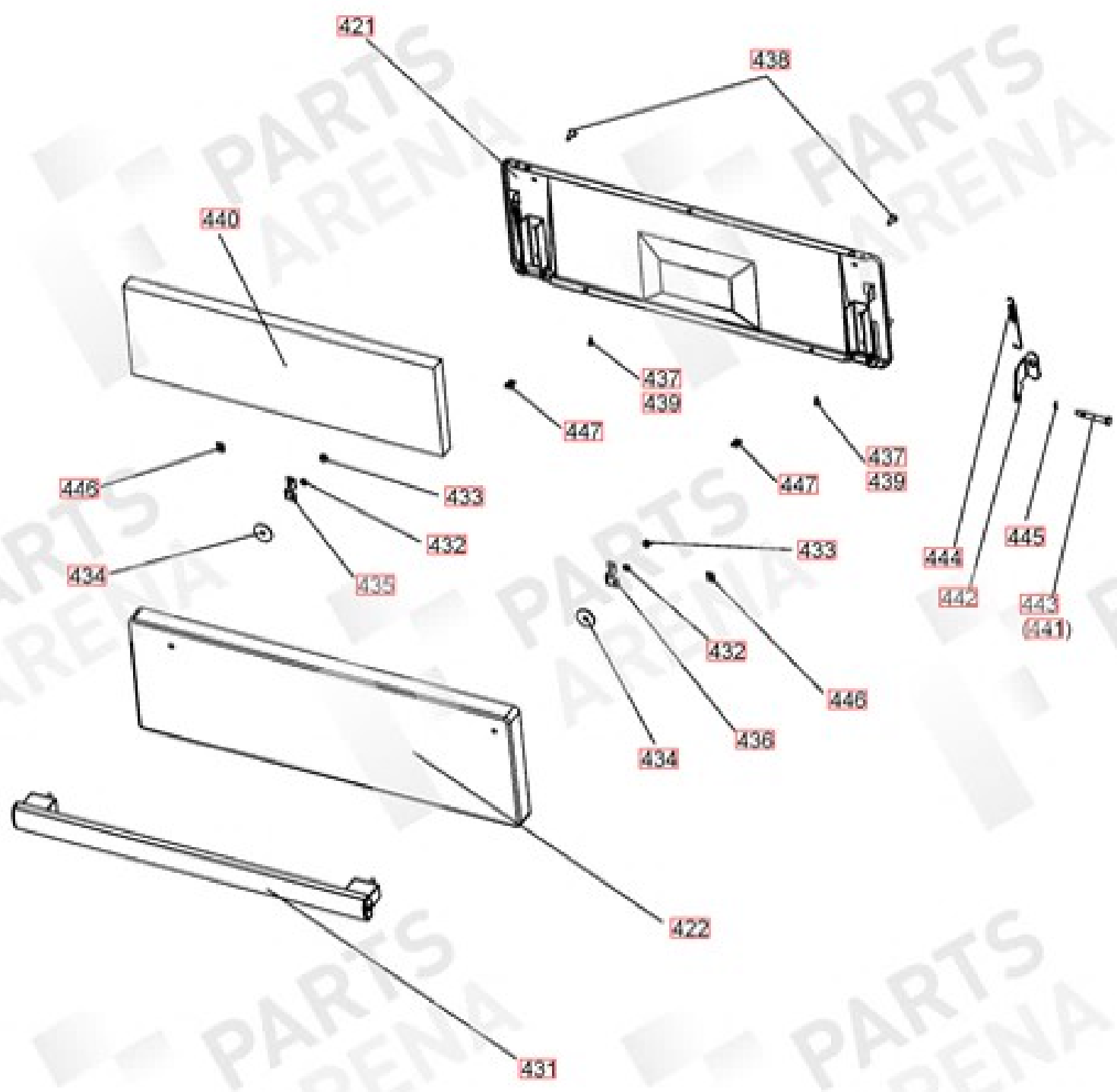
202 — SCREWS NOT SHOWN

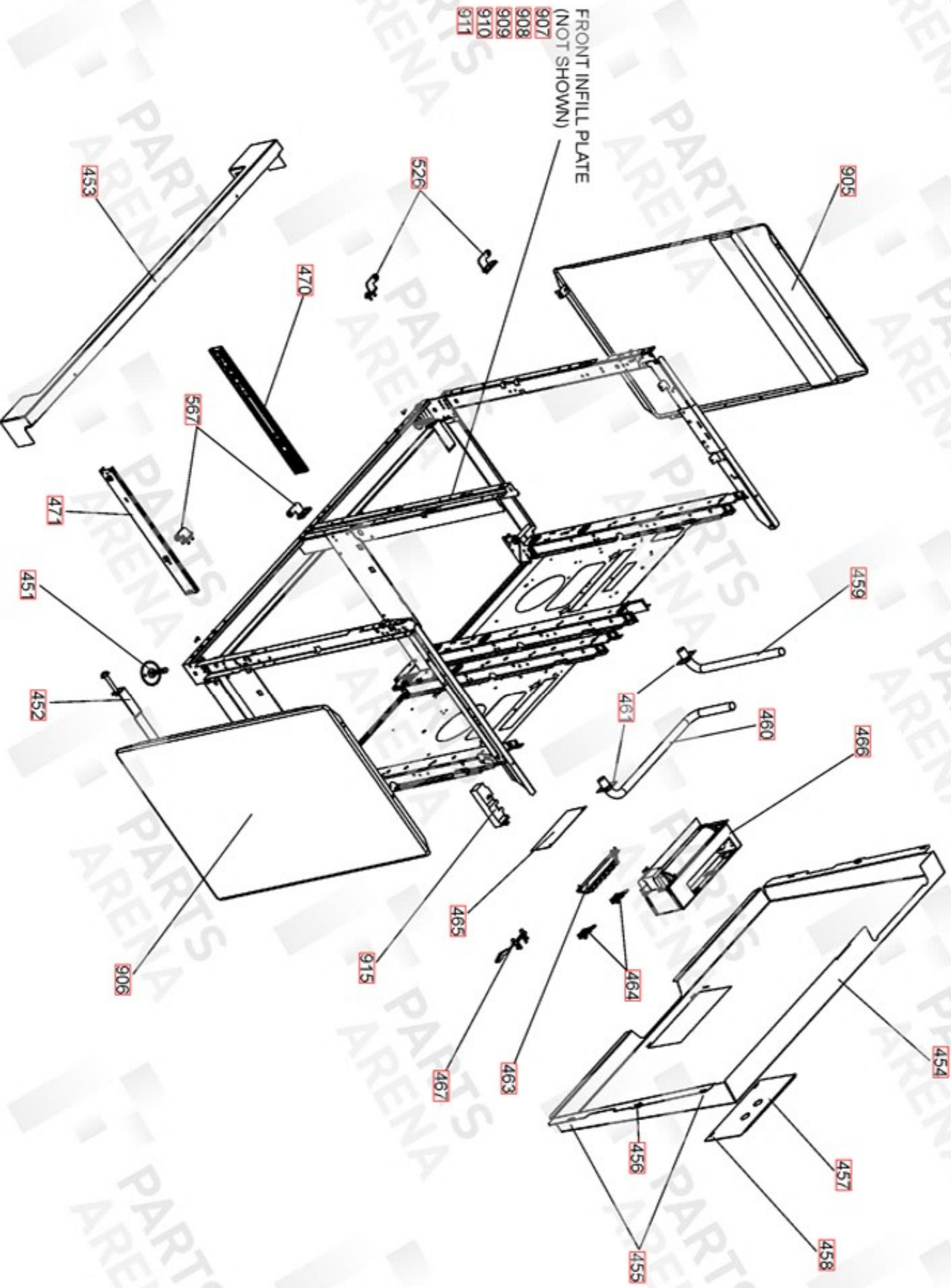
INNER CONTROL PANEL
SHOWN FOR REF ONLY

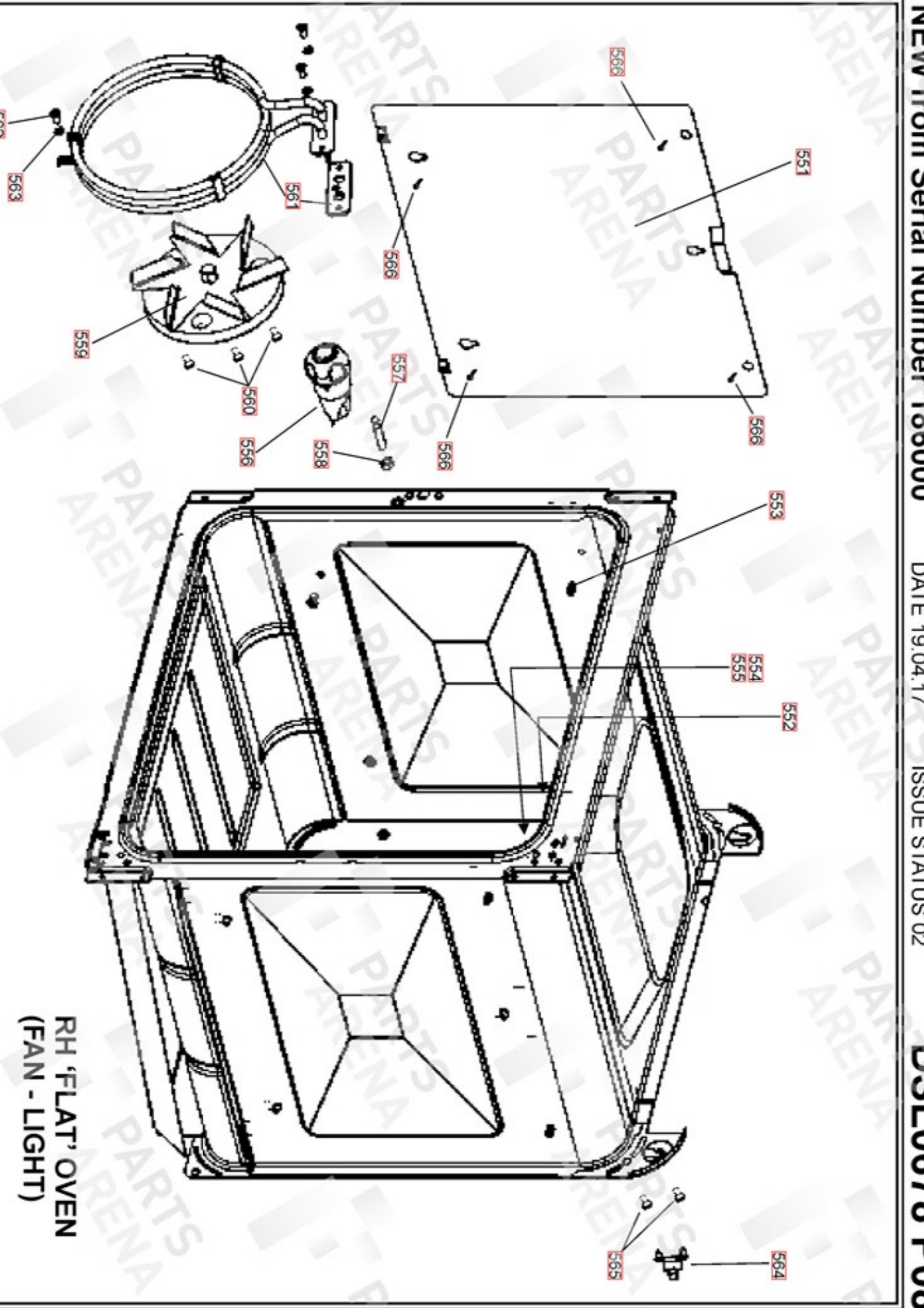


GRILL CHAMBER ASSY



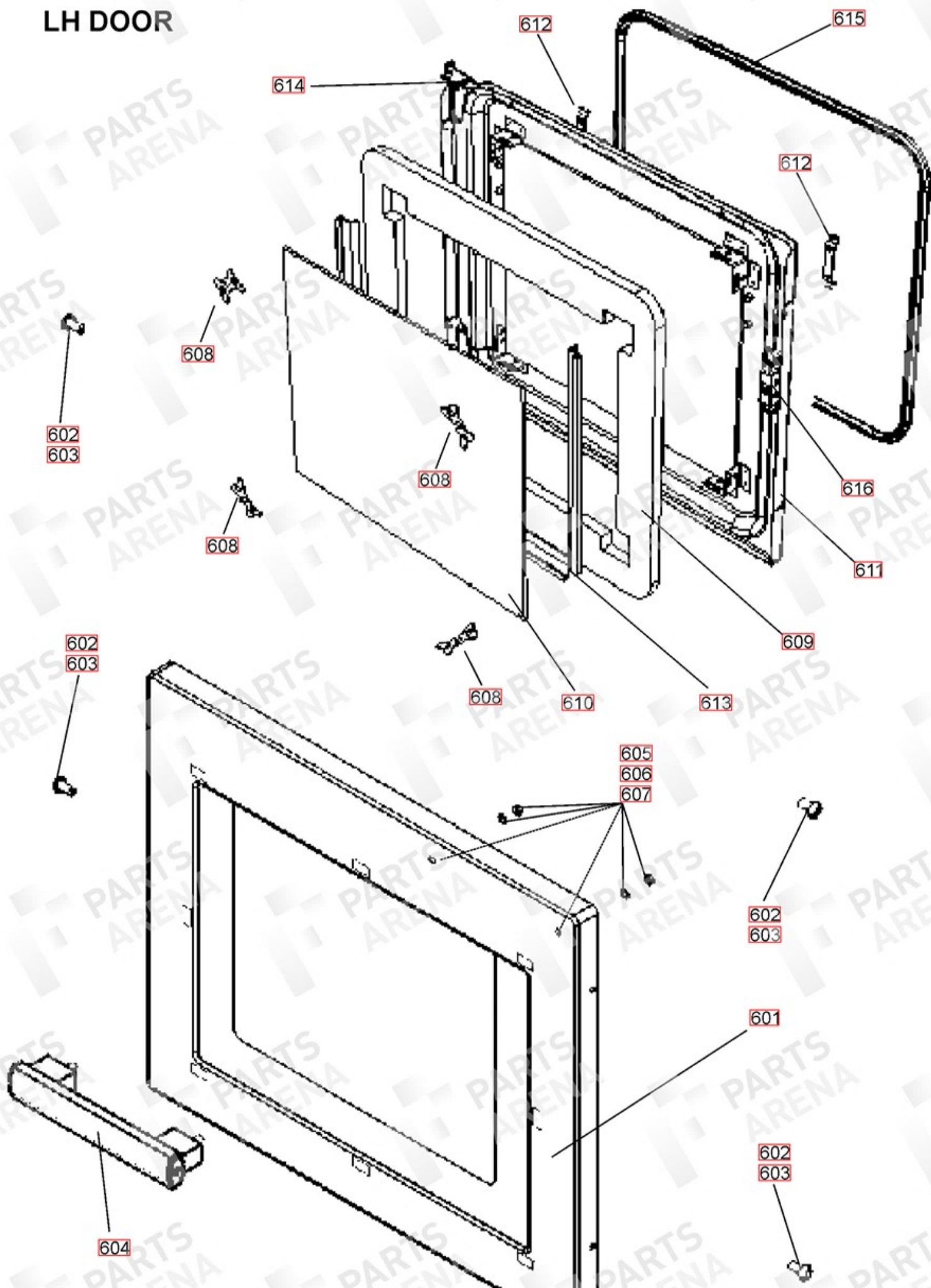




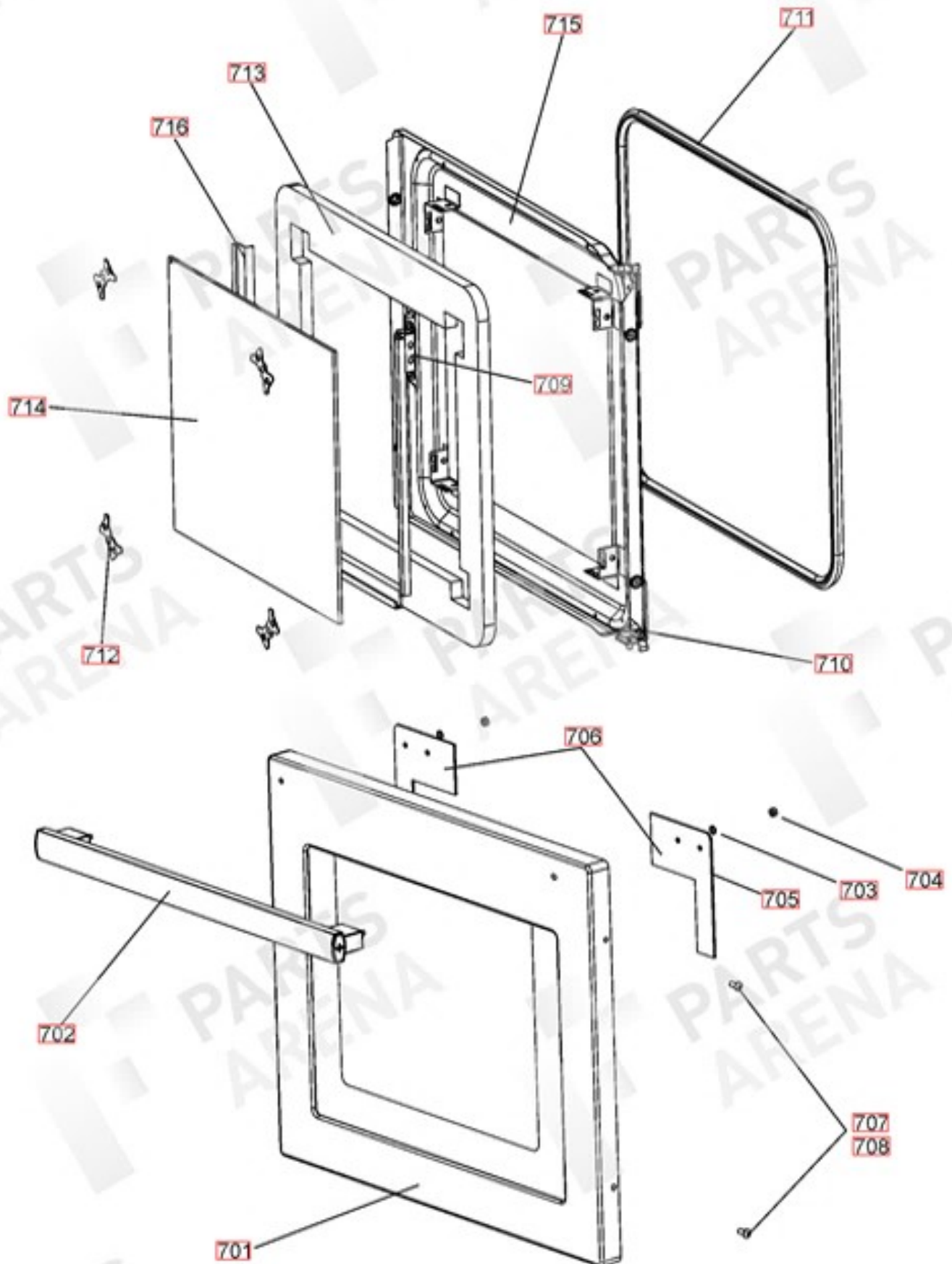


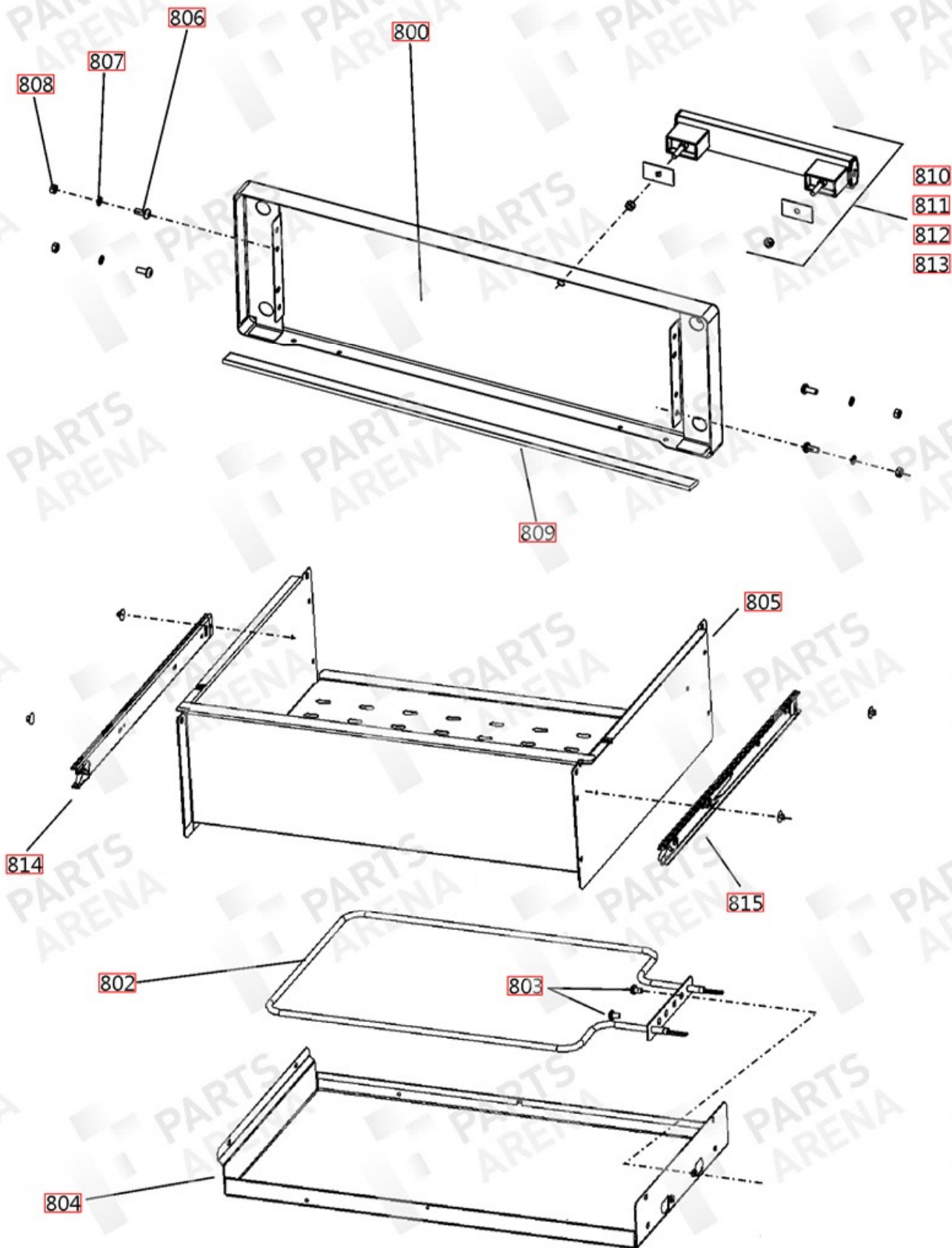
RH 'FLAT' OVEN
(FAN - LIGHT)

LH DOOR

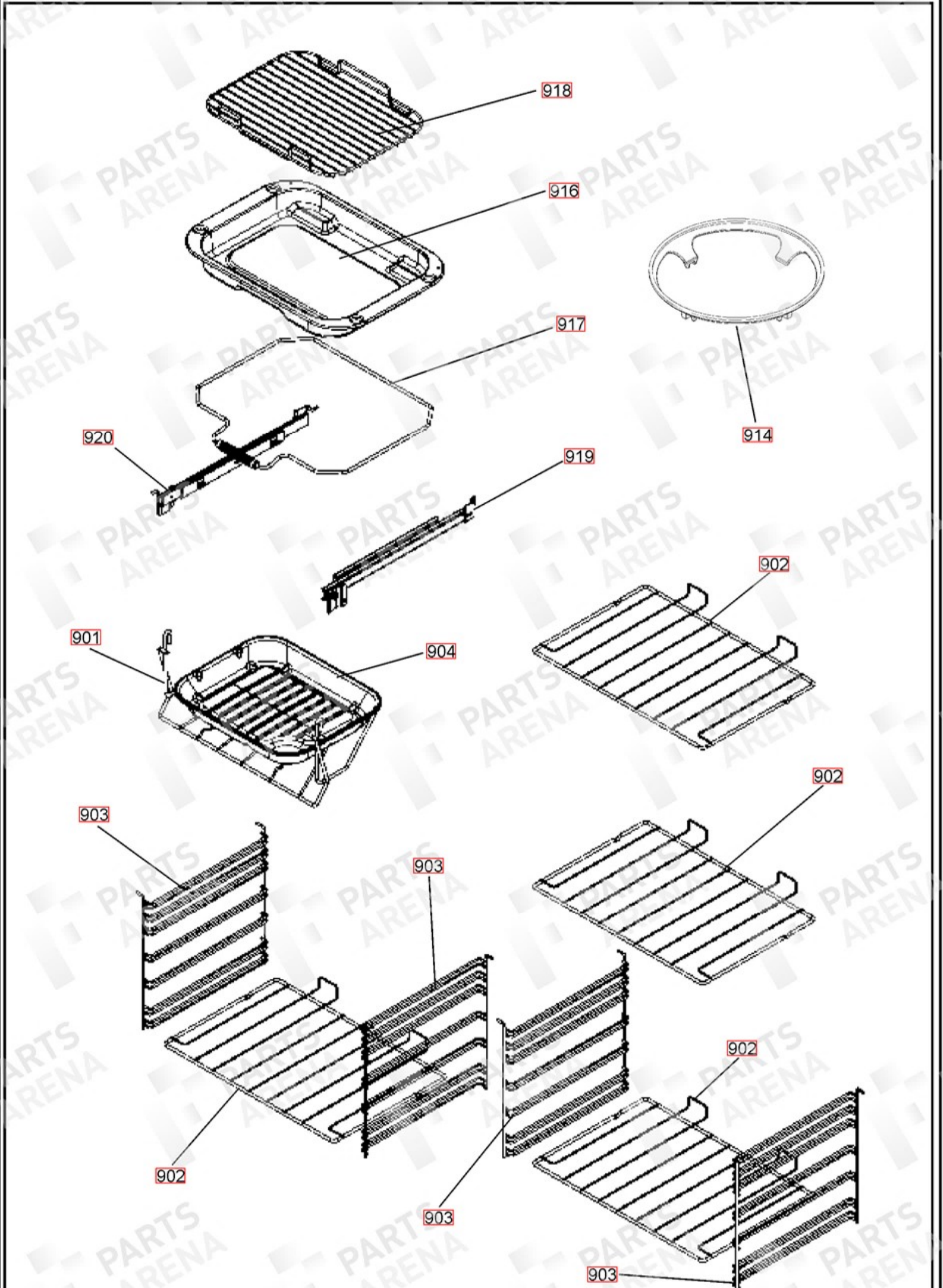


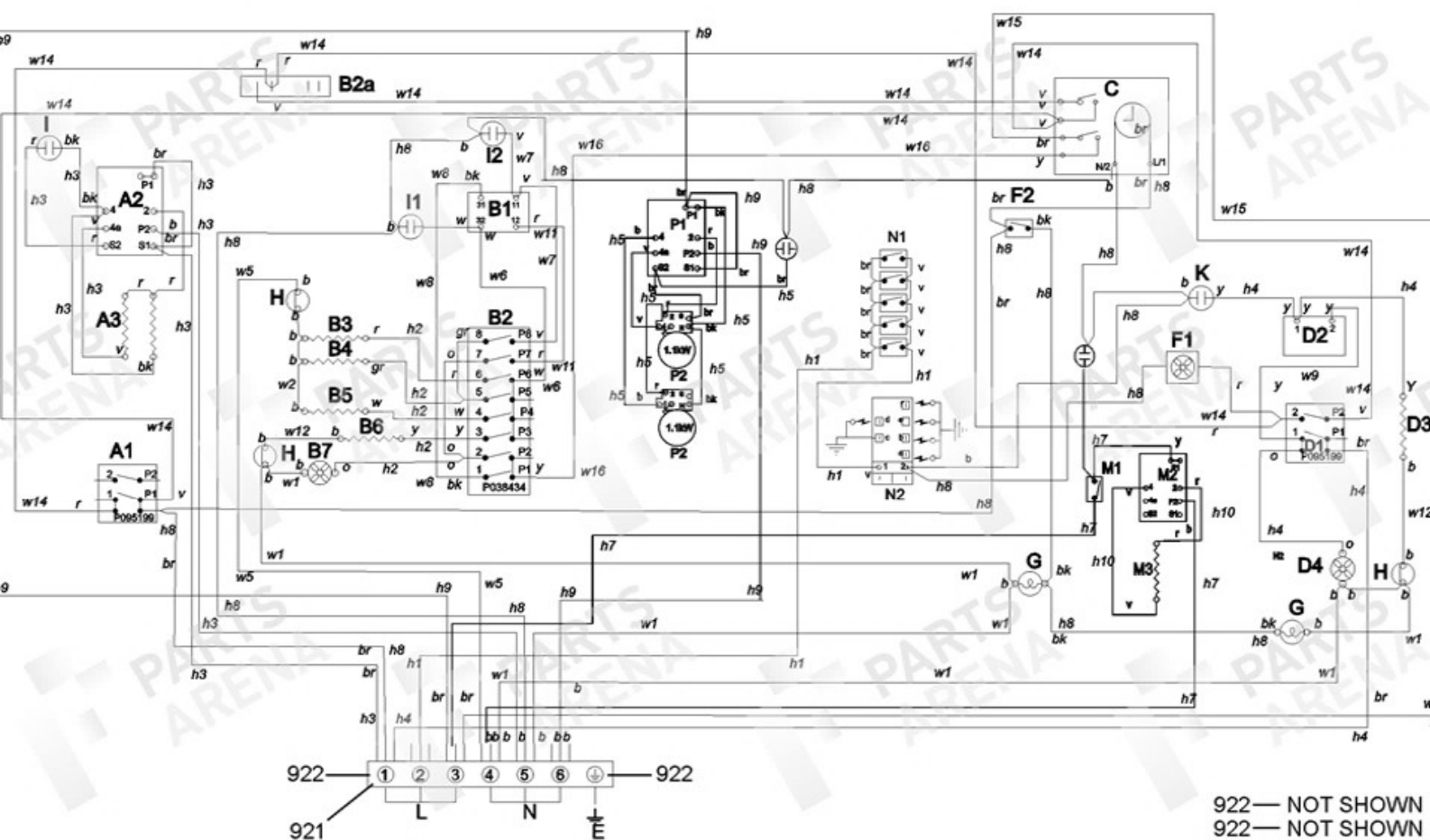
R H DOOR





BREAD PROVING DRAWER





922 — NOT SHOWN
922 — NOT SHOWN

Ref N°	Part N°	Quantity	Colour	Description
w1	P043964	2	b	WIRE ASSEMBLY
w2	P040694	1	b	WIRE ASSEMBLY
w3	P042859	1	g/y	NI - WIRE ASSEMBLY - EARTH
w4	P055374	2	g/y	NI - WIRE ASSEMBLY - EARTH
w5	P094947	1	b	WIRE ASSEMBLY
w6	P064455	1	w	WIRE ASSEMBLY - WHITE
h1	P064817	1	br/v	WIRING HARNESS IGNITION
h2	P064444	1	r/or/y/w/gr	HARNESS LH MF R-HEAT
h3	P064445	1	r/bk/b/v/br	HARNESS GRILL
h4	P064454	1	or/br/y	HARNESS RH FANED OVEN
h5	P038594	1	bk/b/r/v/br	GRIDDLE HARNESS
w7	P064457	1	v	WIRE ASSY VIOLET LINK
w8	P038186	1	bk	WIRE ASSY TRIPLE REG SWITCH
h6	P049242	1	clear	NI - HT HARNESS
w9	P037863	1	y	WIRE ASSEMBLY
w10	P049241	1	g/y	NI - WIRE ASSEMBLY - EARTH
w11	P094951	2	r	WIRE ASSEMBLY
w12	P040066	2	b	WIRE ASSY - NEU-LINK T/CUT OUTS
w13	P094943	2	g/y	NI - WIRE ASSEMBLY - EARTH
w14	P064447	1	r/v	Cooling Fan Harness
w15	P064448	1	b	Brown Link - Terminal block to timer relay
h7	P064815	1	b/br/y	Fascia Switch Harness
h8	P064816	1	bk/br/b	Auxiliary Harness
h9	P064818	1	b/br	Harness Griddle Zone
w16	P048632	1	y	Yellow link - Timer
h10	P062327	1	v/r	Proving element to energy reg

Code	Colour
b	Blue
br	Brown
bk	Black
or	Orange
r	Red
v	Violet
w	White
y	Yellow
g/y	Green/yellow
gr	Grey