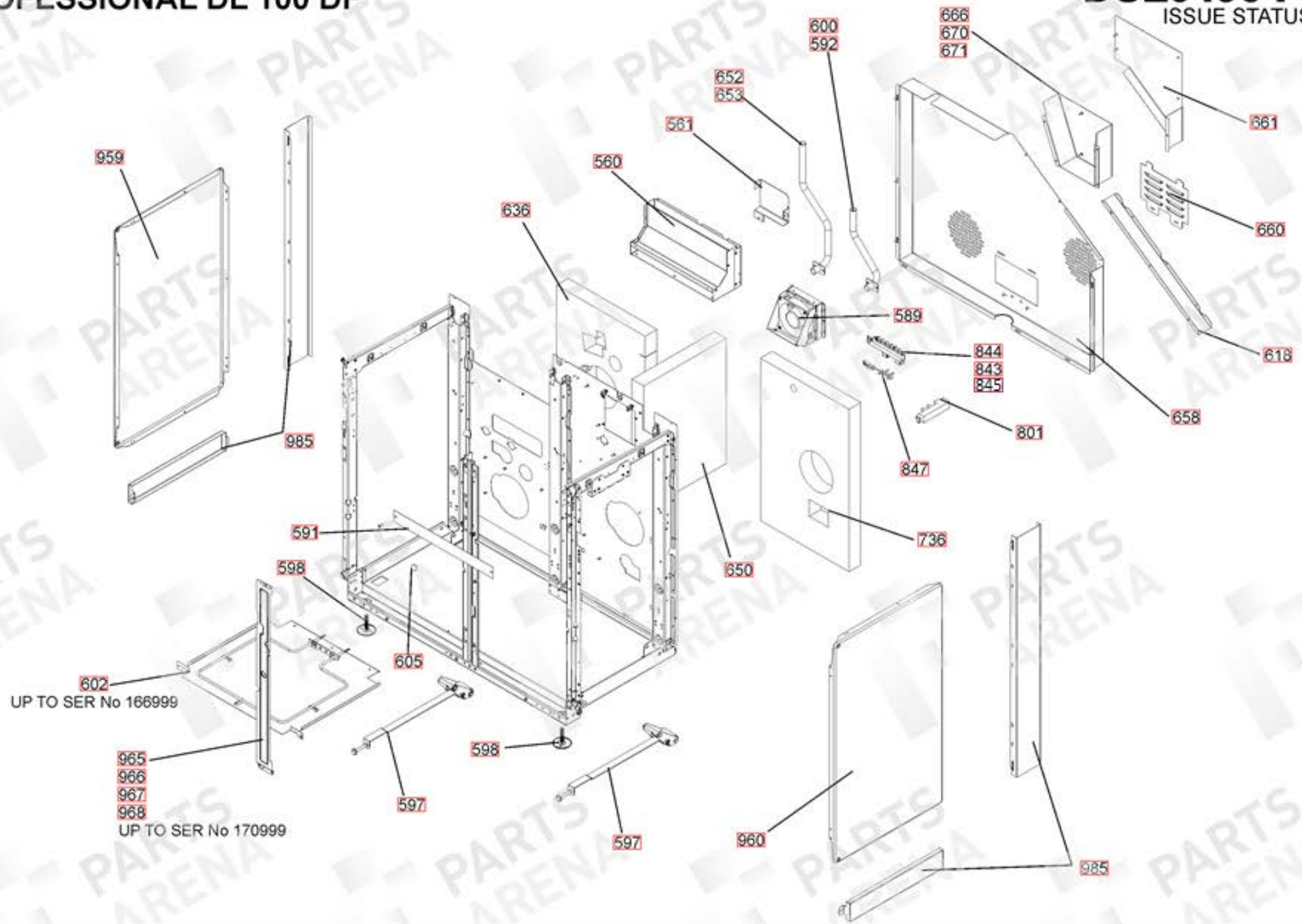


INNER CONTROL PANEL  
SHOWN FOR REF ONLY





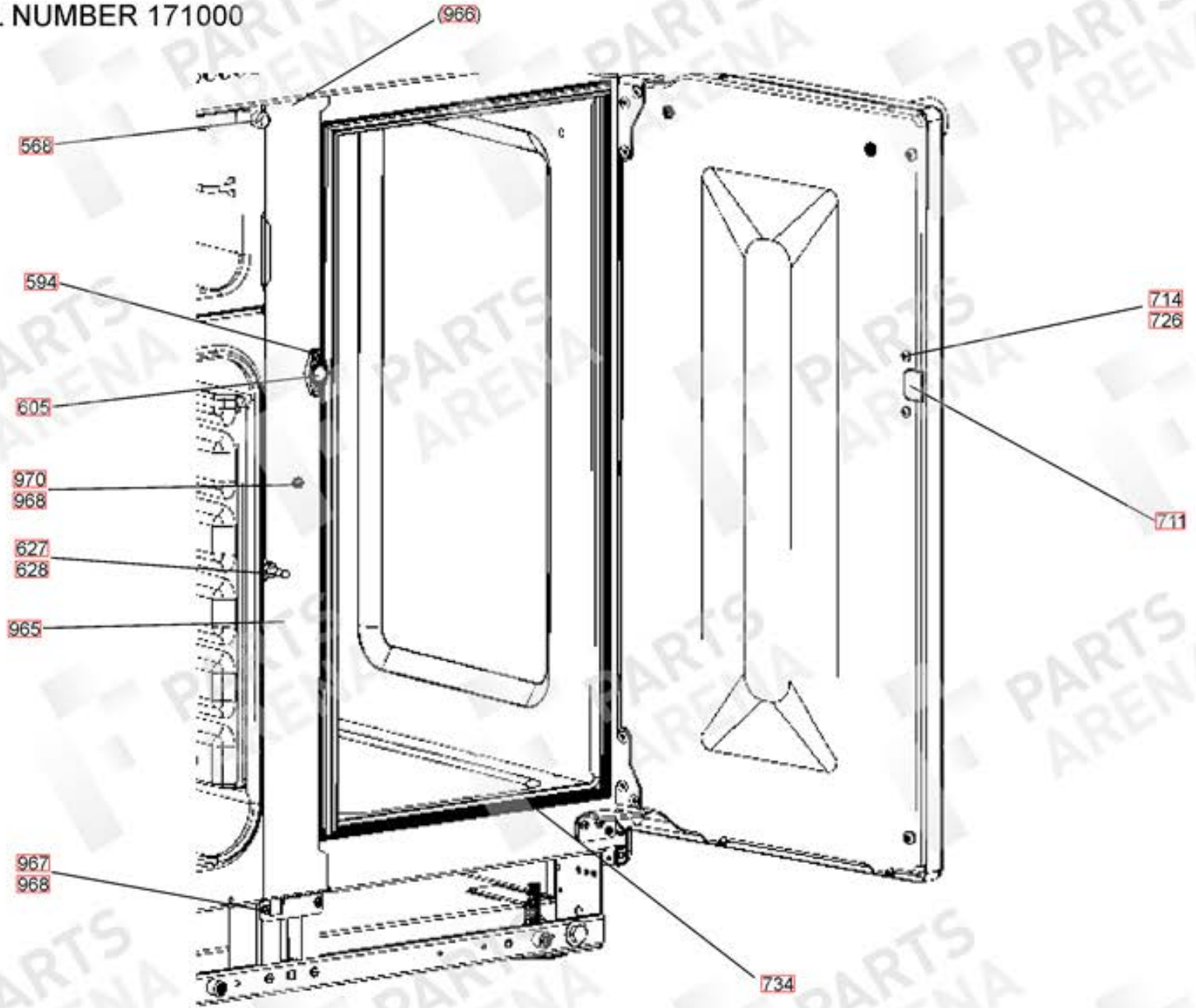
**PROFESSIONAL DL 100 DF**

DATE 25.02.14

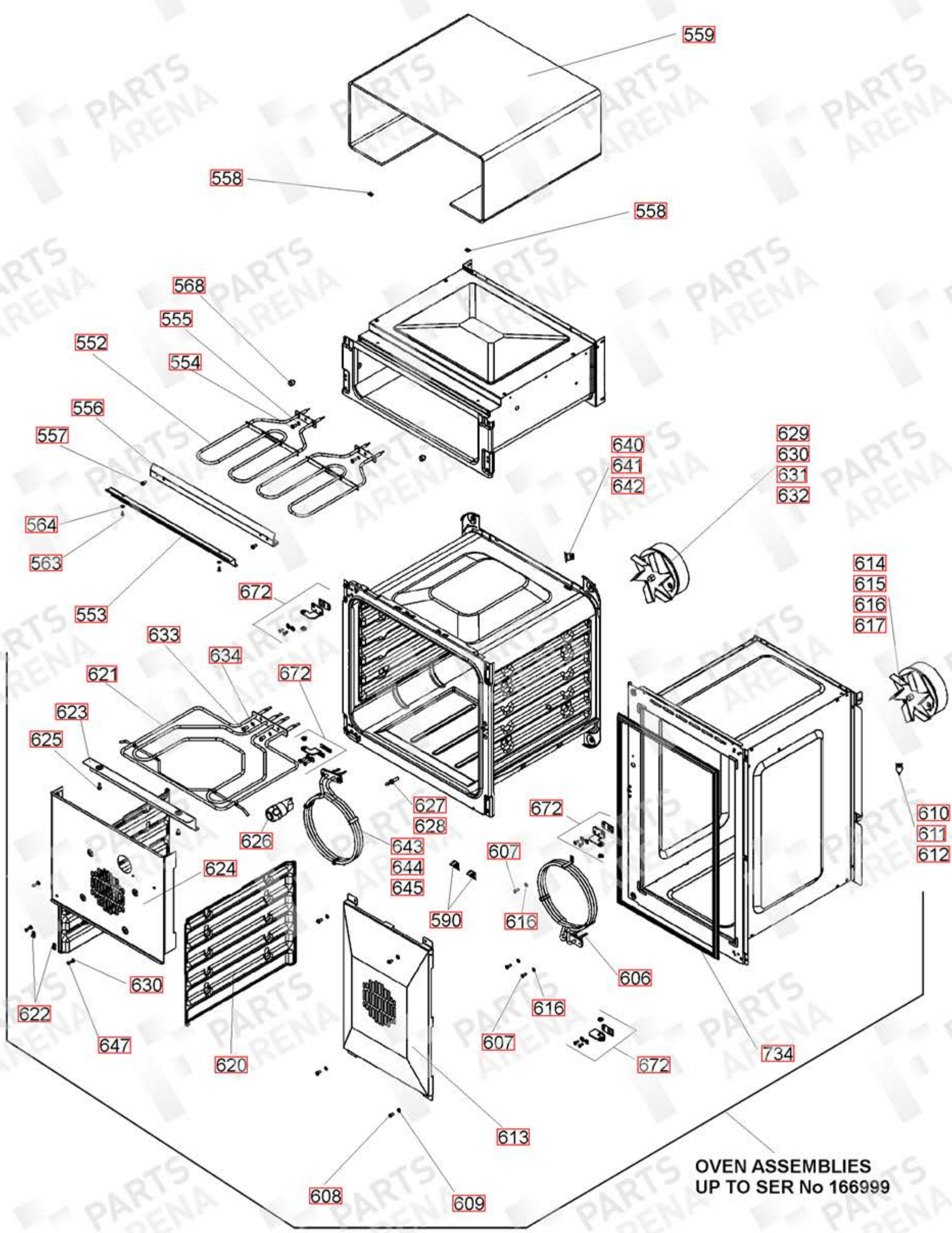
**DSL0490 P04A**

FROM SERIAL NUMBER 171000

ISSUE STATUS 01

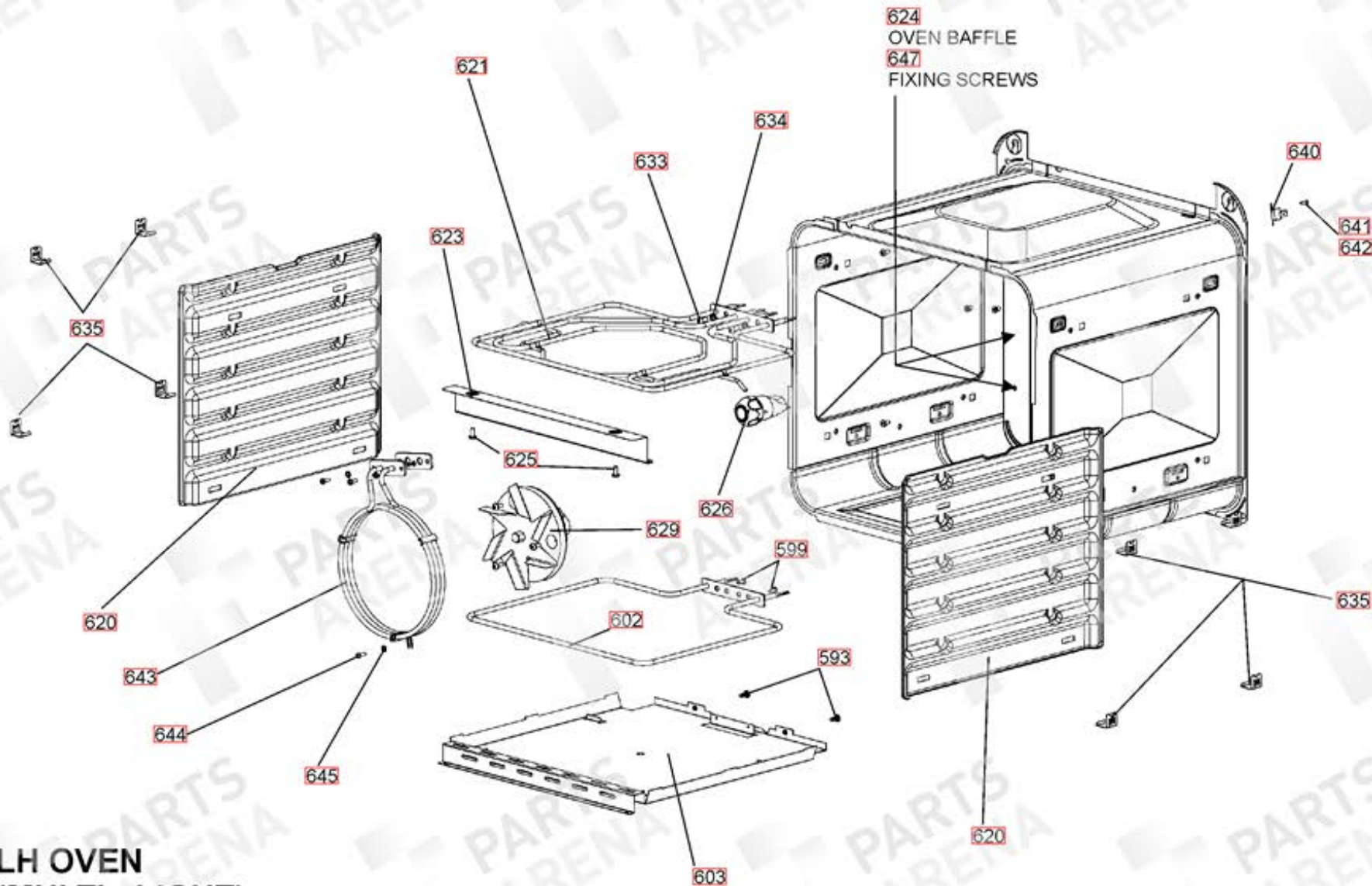






OVEN ASSEMBLIES  
UP TO SER No 166999

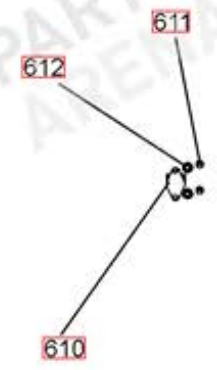
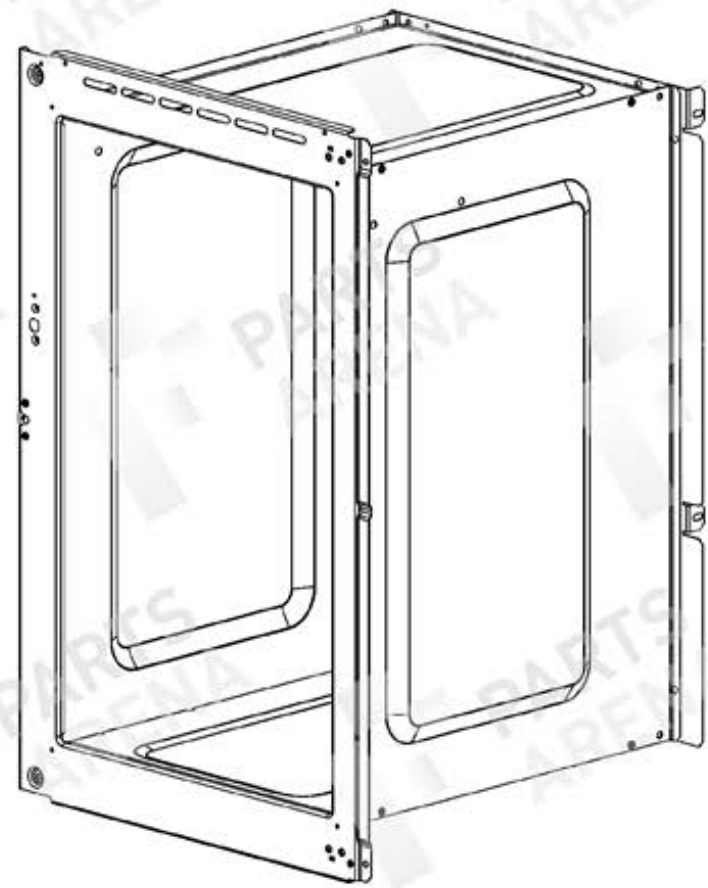
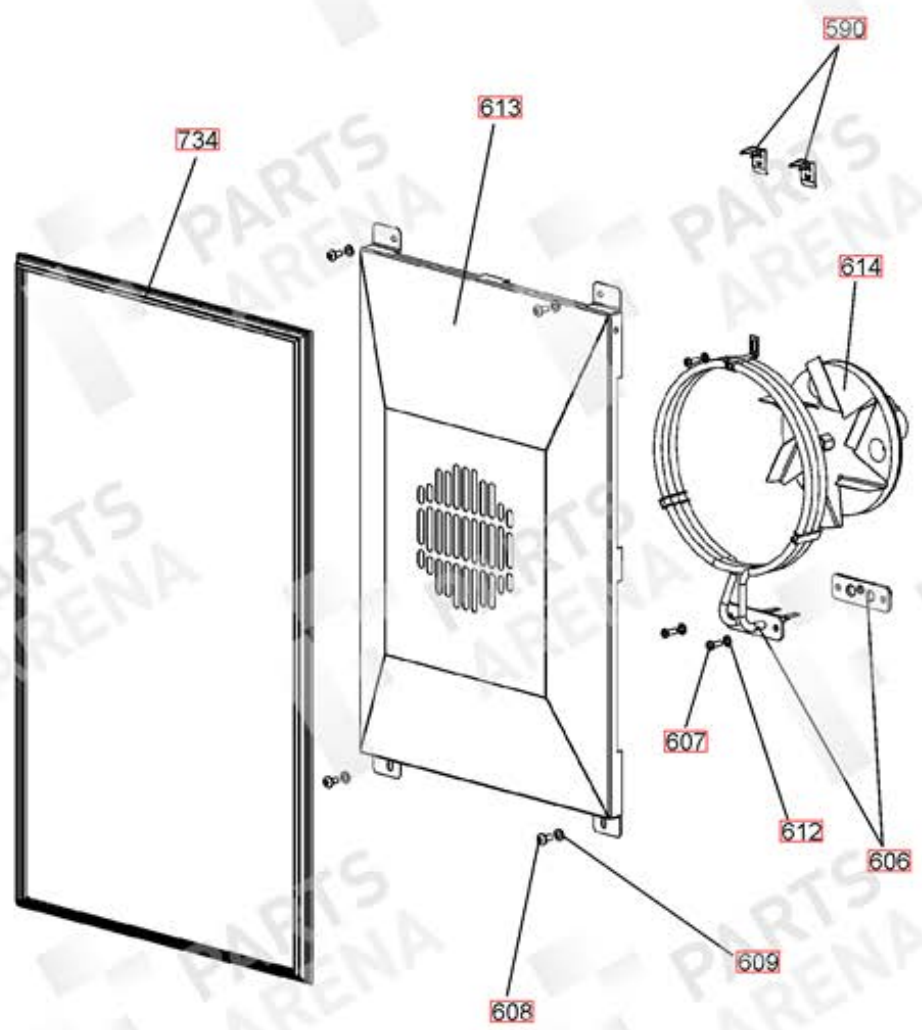
FROM SERIAL NUMBER 167000



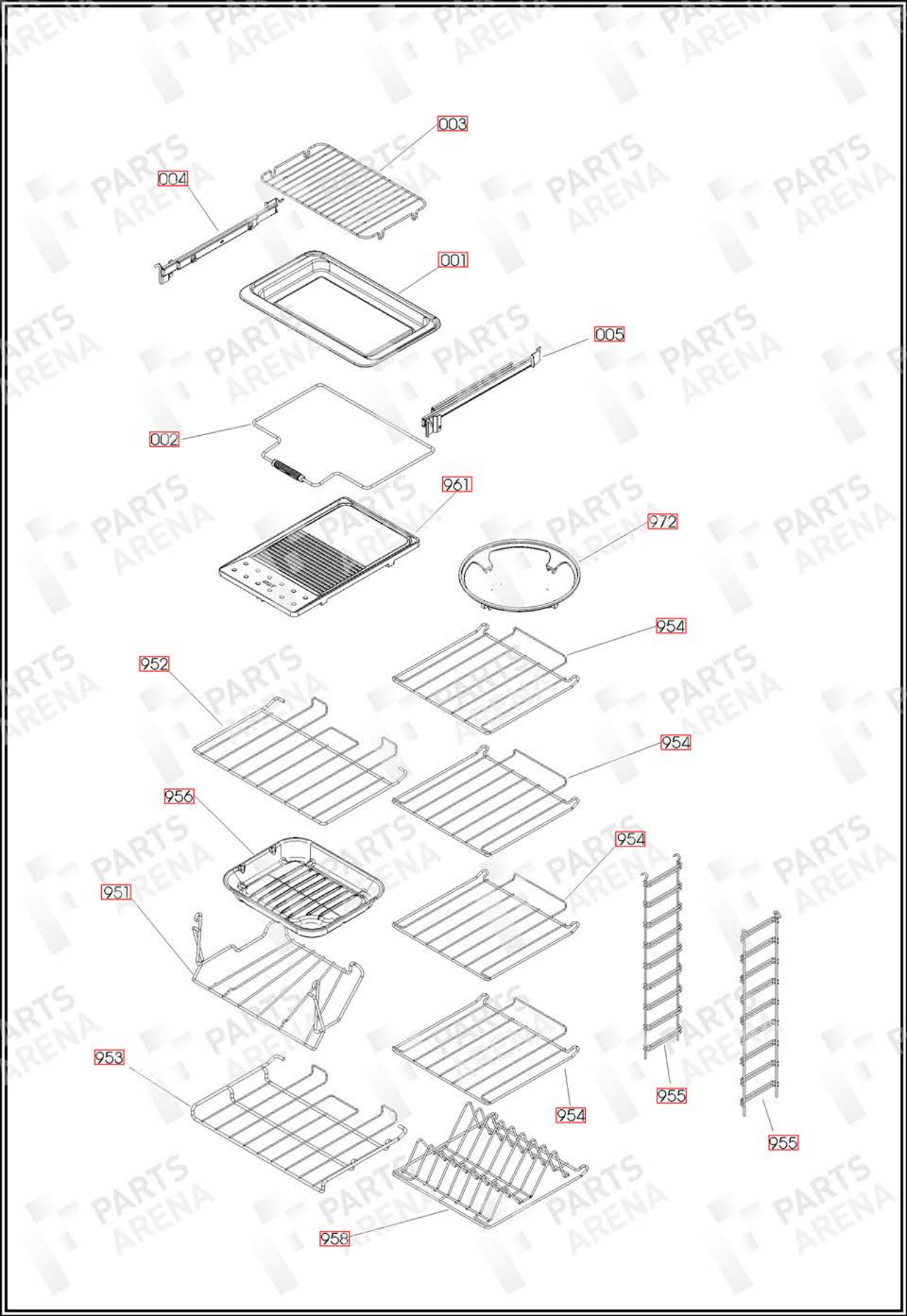
LH OVEN  
(MULTI - LIGHT)

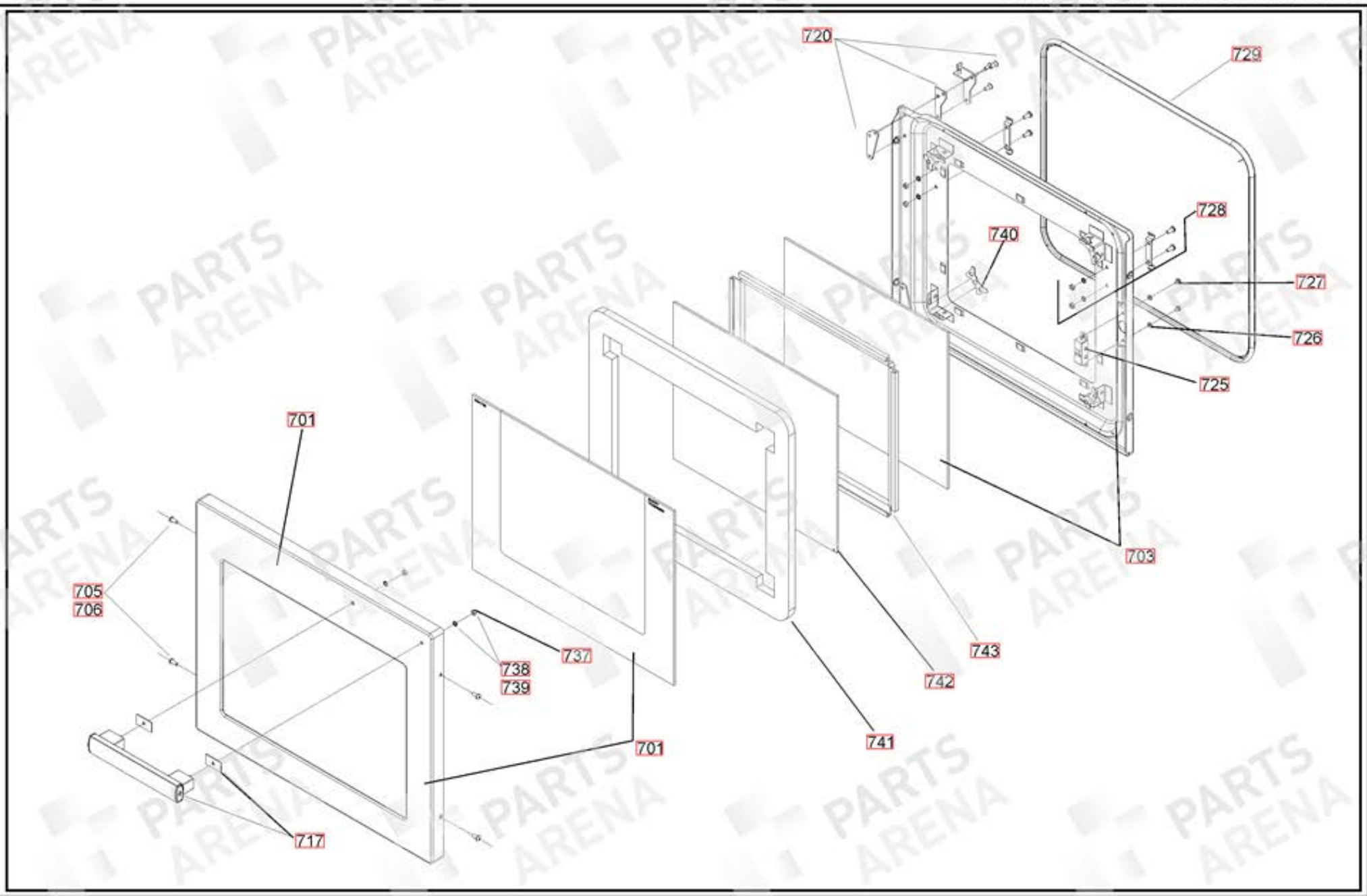


FROM SERIAL NUMBER 167000

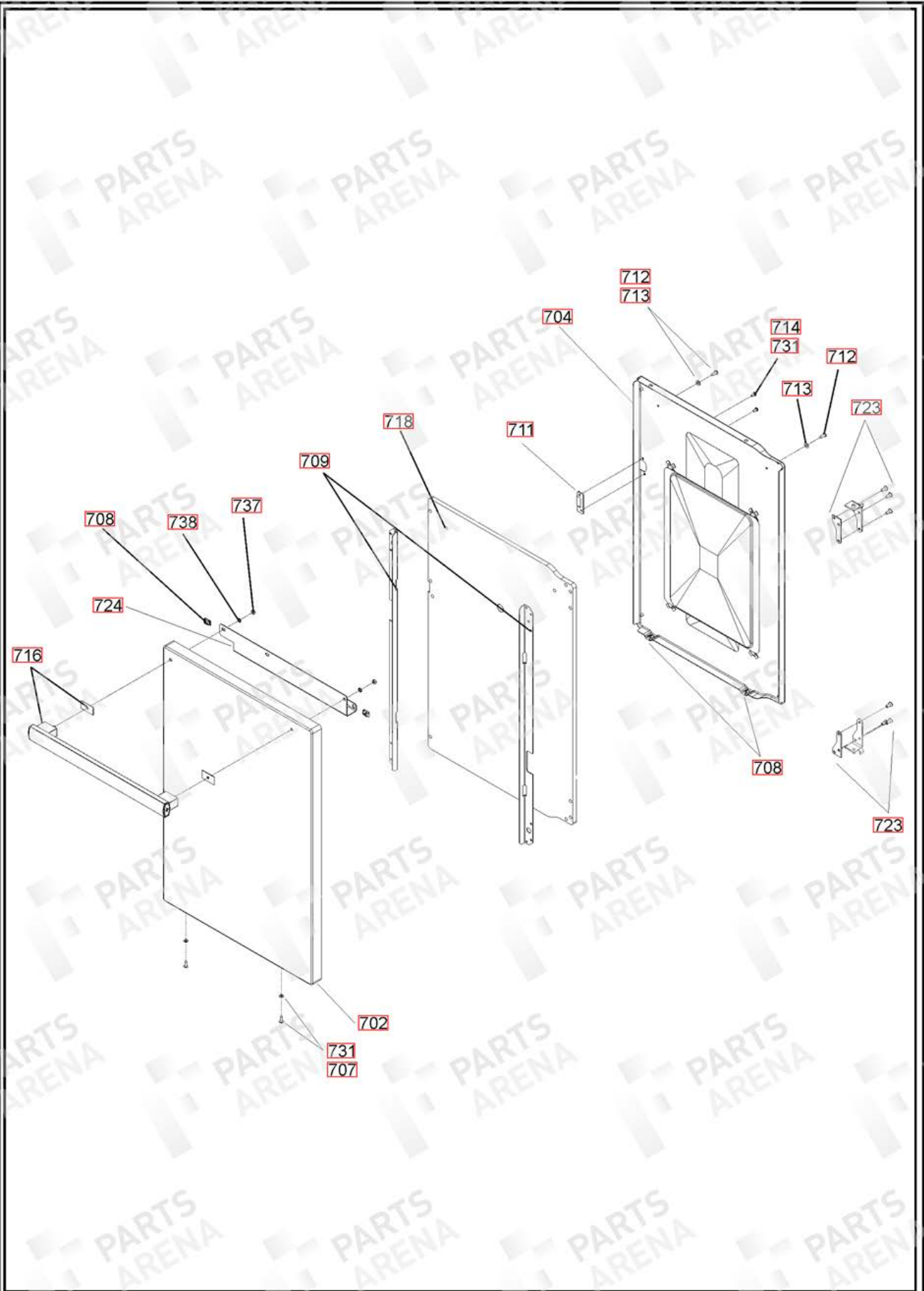


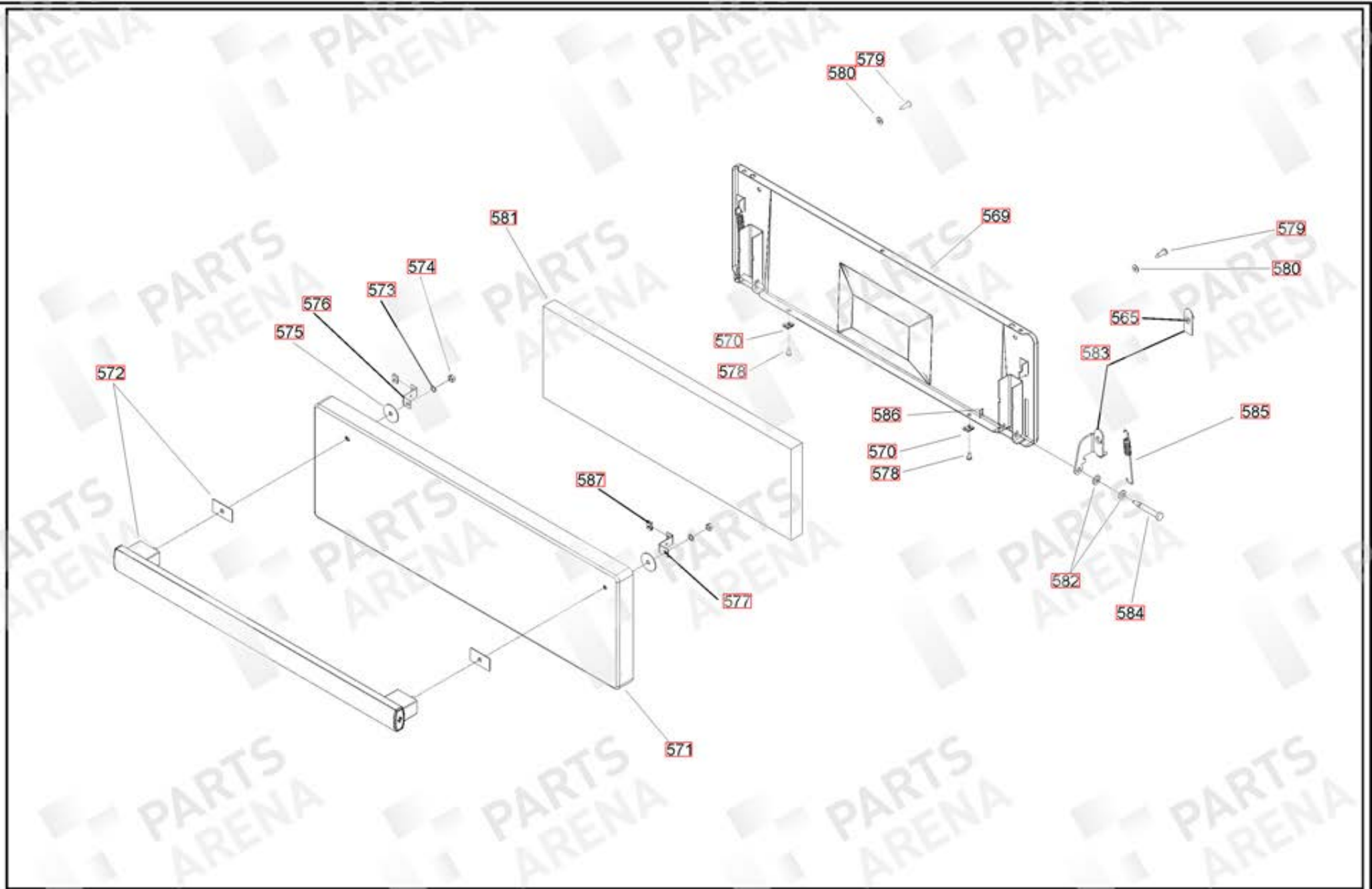
100 TALL OVEN ASSEMBLY

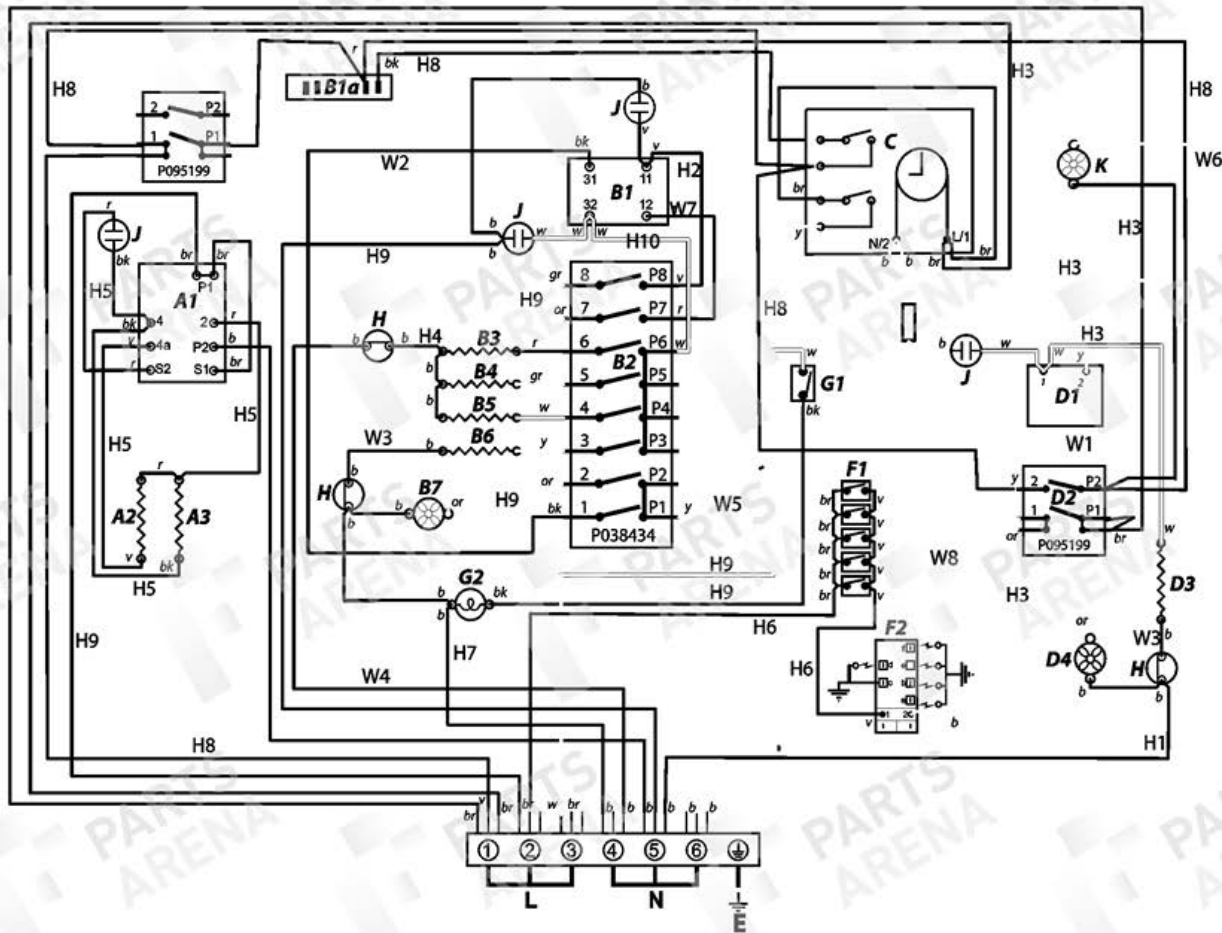












Key	Ref No.	Part No.	Quantity	Remarks
860	Ni	P027672-02	1	Earth Links
861	H1	P027733-02	1	Wire Assy
851	H2	P033367-02	1	Violet wire assy
852	Ni	P033677-01	1	LH oven earth links
862	W1	P037863-01	1	Wire Assy
863	W2	P038597-02	1	Wire M/F SW-T'Stat Black Link
853	H3	P038909-05	1	RH Harness
854	W3	P040066-03	2	Oven LVD Neutral Links
855	H4	P040694-01	1	Neutral wire daisy chain
864	H5	P045282-01	1	Grill Harness
872	W4	P042916-01	1	LH Neutral wire
866	W5	P048632-01	1	Yellow - Timer /LH oven link
867	Ni	P049241-01	1	Spark Gen Earth
856	Ni	P049242-01	1	HT Harness
865	H6	P049254-02	1	Ignition Harness
871	H7	P050986-01	1	LH Light,Cut-out & fan neutral links
858	H8	P052810-01	1	Cooling Harness
859	H9	P052811-01	1	Rapide Warm Up Harness
873	W6	P052815-02	1	Cooling Fan Neutral
868	Ni	P055374-02	2	Grill Earth
869	Ni	P094943-01	2	RH Stat earth, Hob earth
874	W8	P094945-03	1	Spark Gen Neutral
870	W7	P094951-02	1	Wire assy
857	H10	P095565-04	1	Wire Assy

Code	Colour
b	Blue
br	Brown
bk	Black
or	Orange
r	Red
v	Violet
w	White
y	Yellow
g/y	Green/Yellow
gr	Grey

Code	Component
A1	Grill front Switch
A2	Grill Control
A3	LH grill element
A4	RH grill element
B1	LH oven stat
B1a	LH stat switch
B2	LH M/F oven switch
B3	LH oven base element
B4	LH oven top element
B5	LH oven browning elem't
B6	LH fan element
B7	LH oven fan
C	Clock/timer
D1	RH oven stat
D2	RH oven control switch
D3	RH oven fan element
D4	RH oven fan element
F1	Ignition switch
G1	Light switch
G2	Oven light
H	Thermal cut-out
J	Neon
K	Cooling fan