

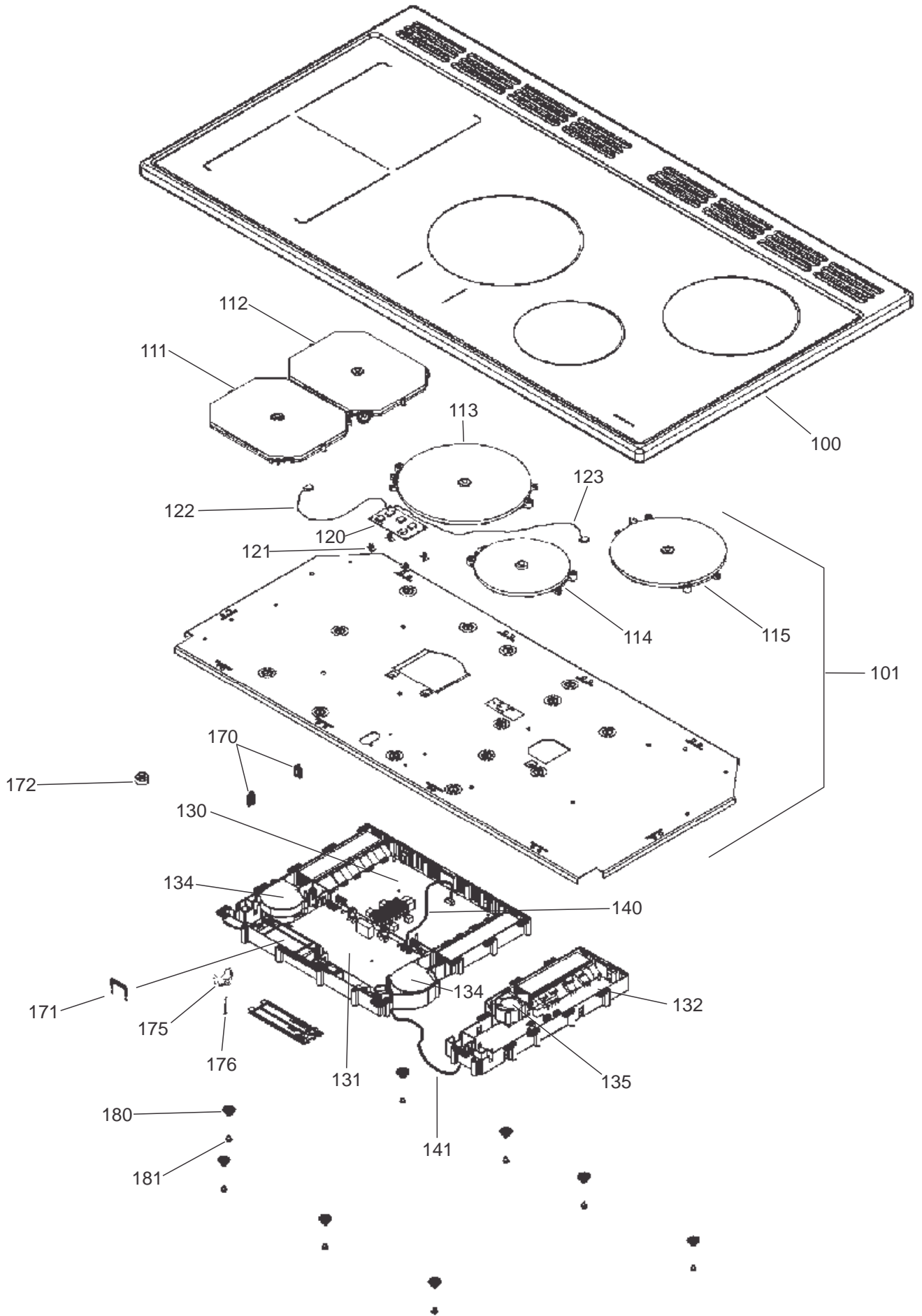
NEXUS STEAM 110 INDUCTION

DATE: 08.10.2020

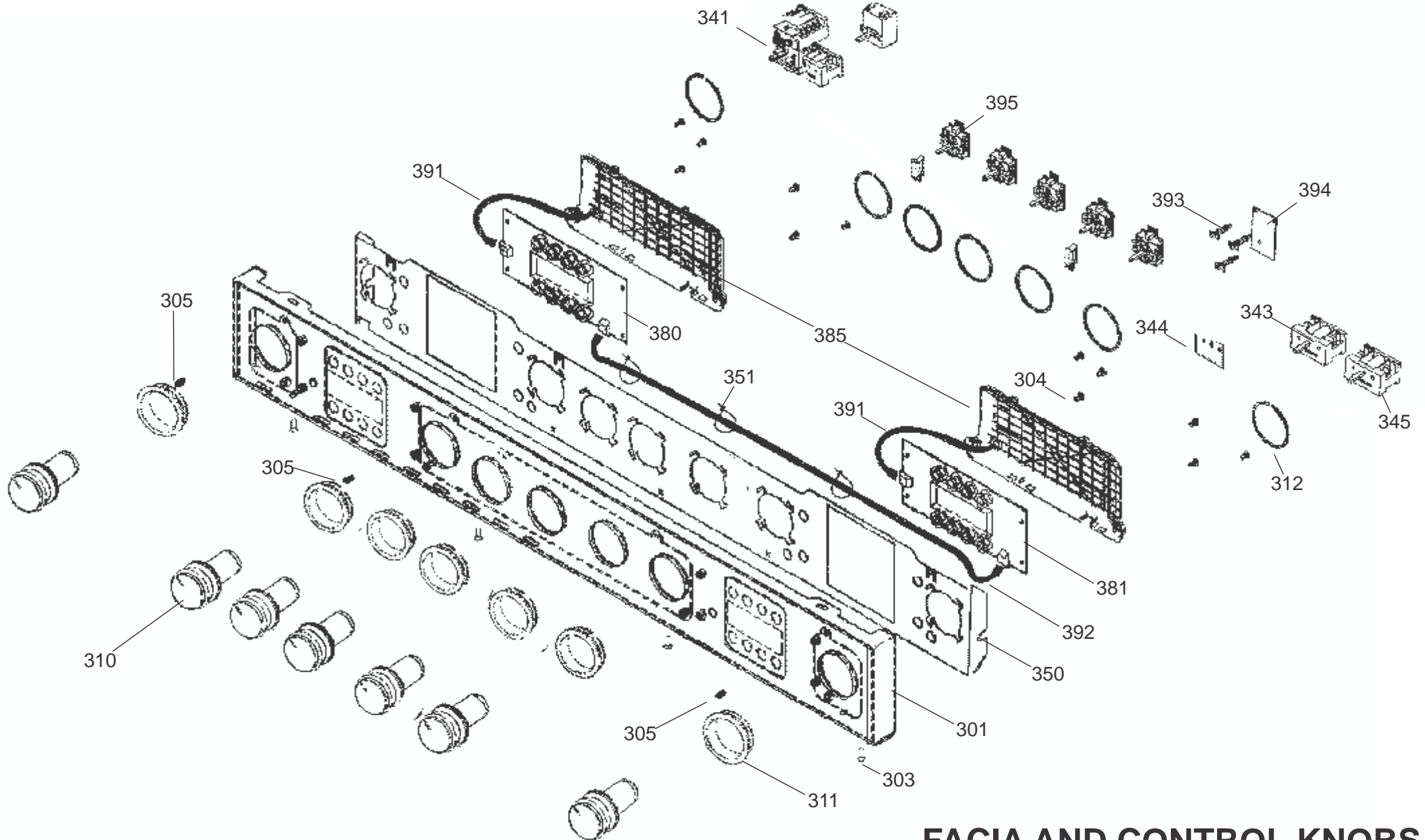
DSL0808 P00

ISSUE: 01

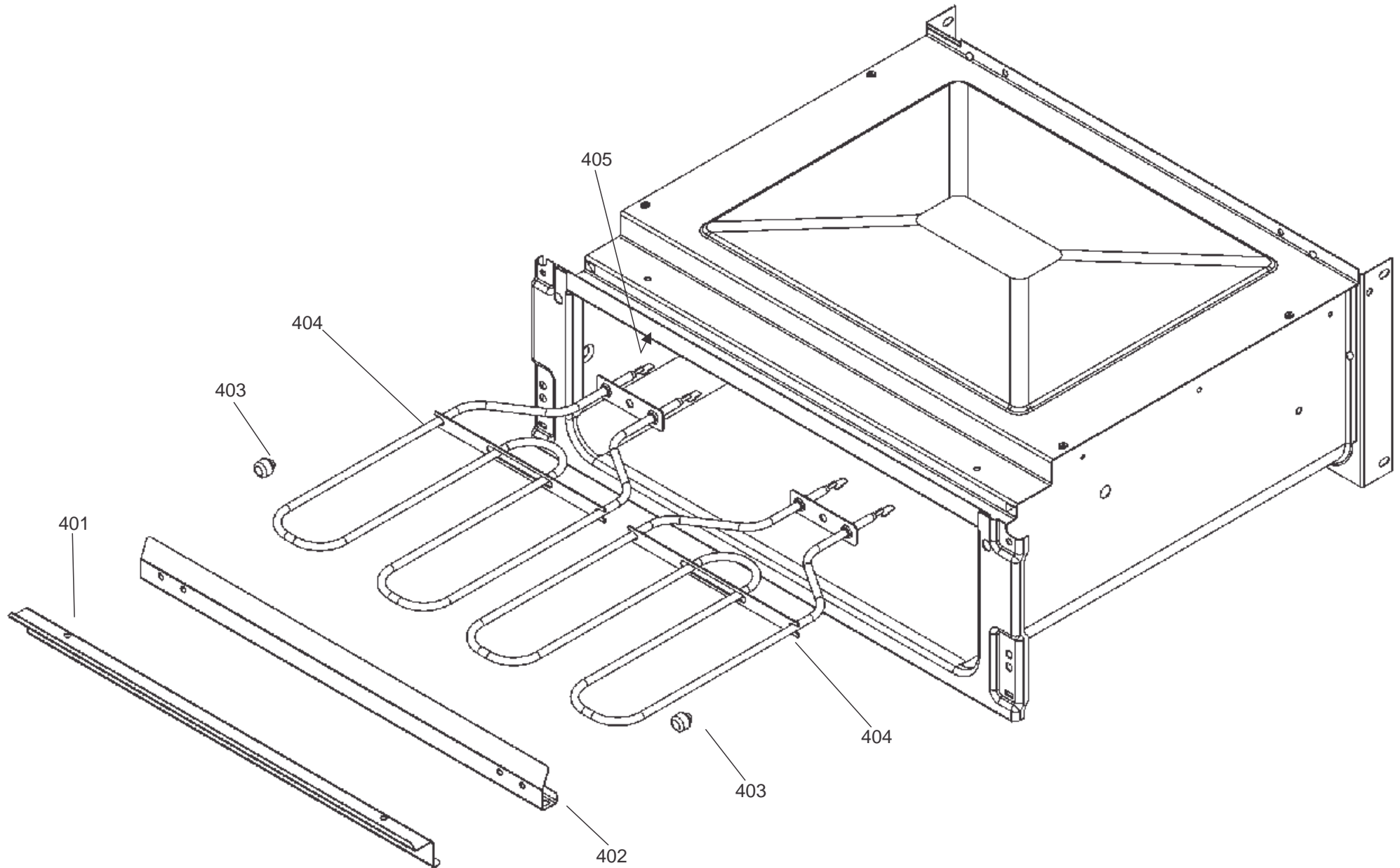




HOB AND INDUCTION ASSEMBLY



FACIA AND CONTROL KNOBS



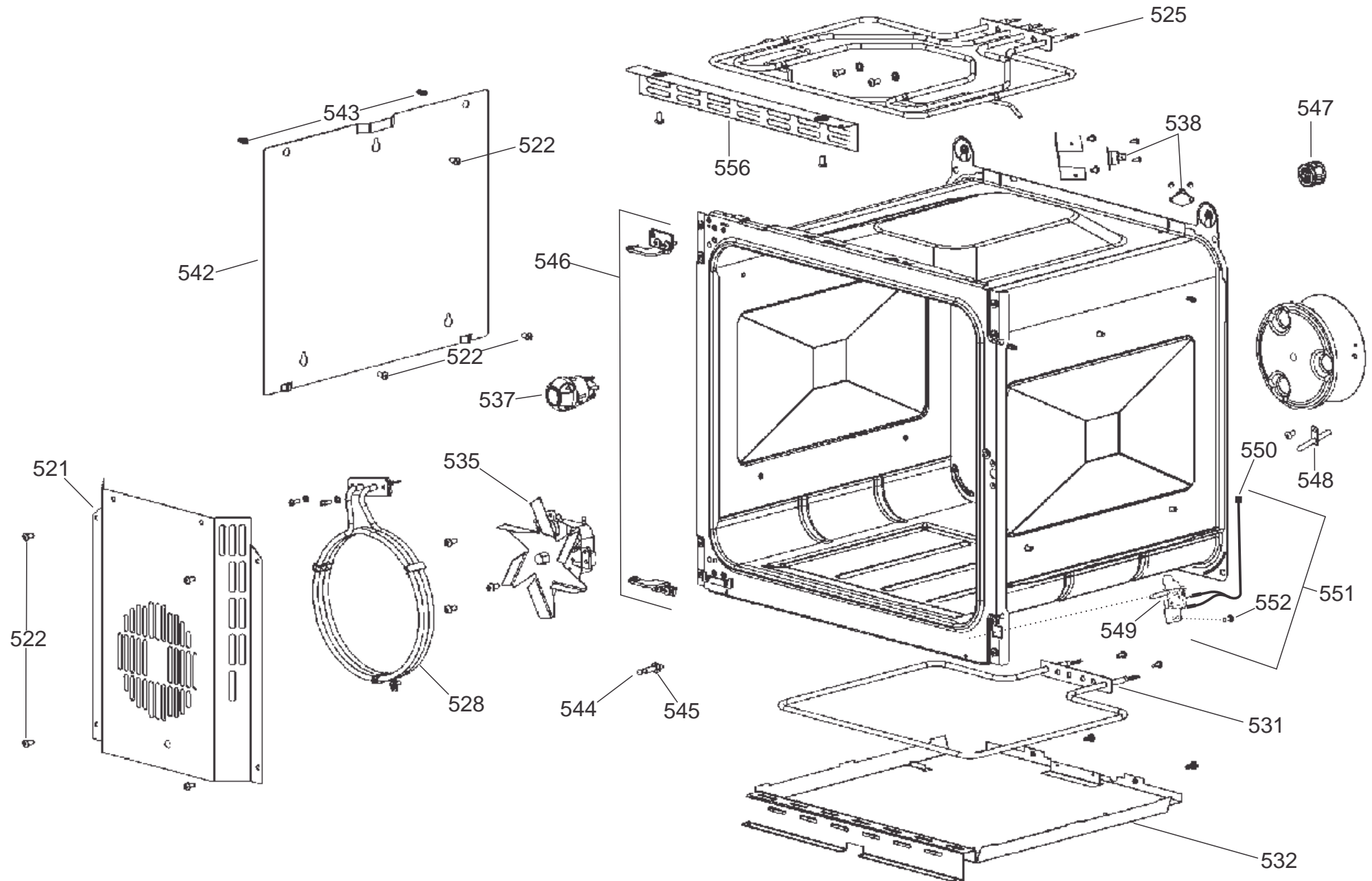
GRILL CHAMBER

NEXUS STEAM 110 INDUCTION

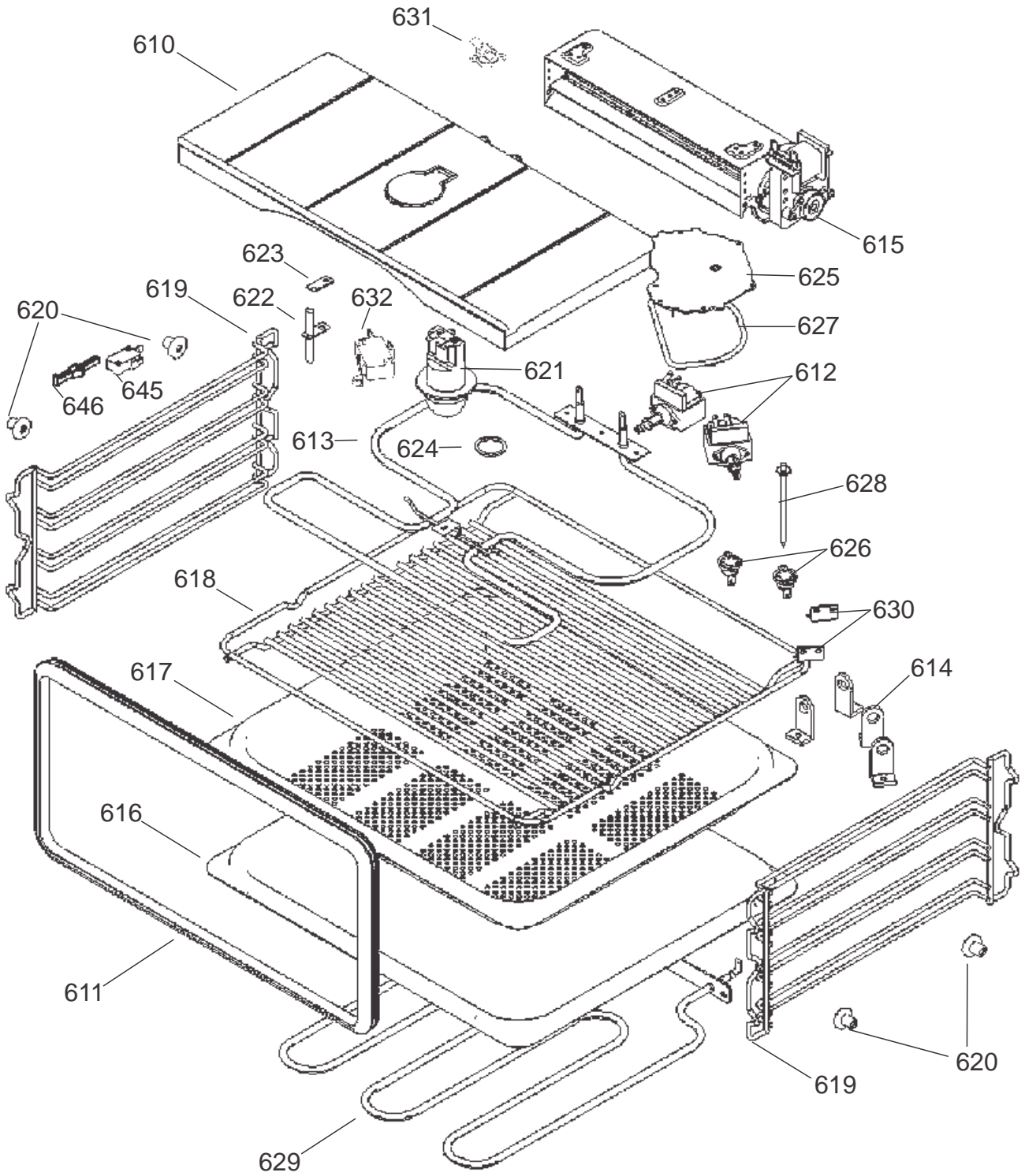
DATE: 08.10.2020

DSL0808 P05

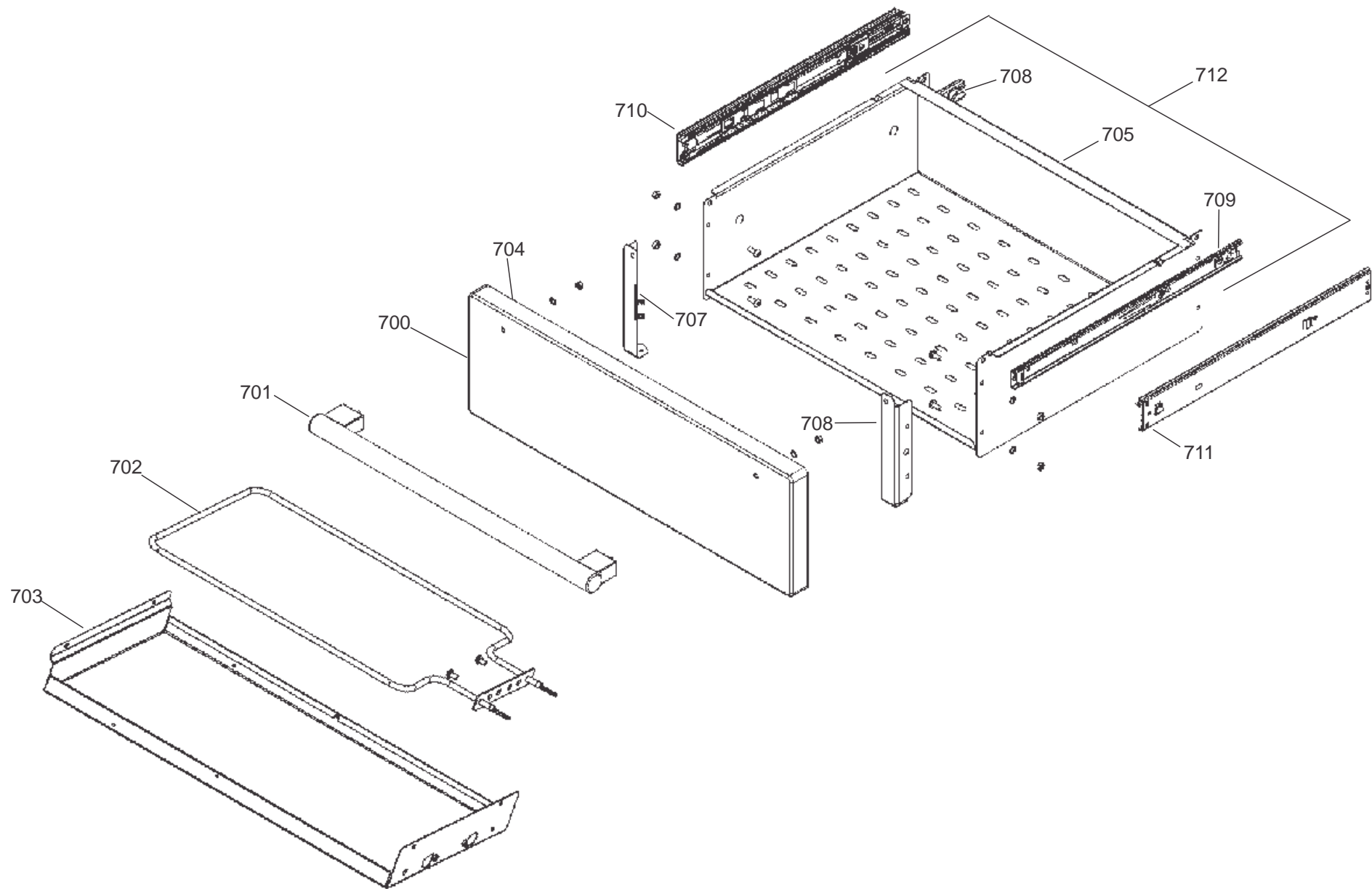
ISSUE: 01



LH OVEN (MULTI-FUNCTION AND LIGHT AND NTC SENSOR)



RH OVEN (STEAM)



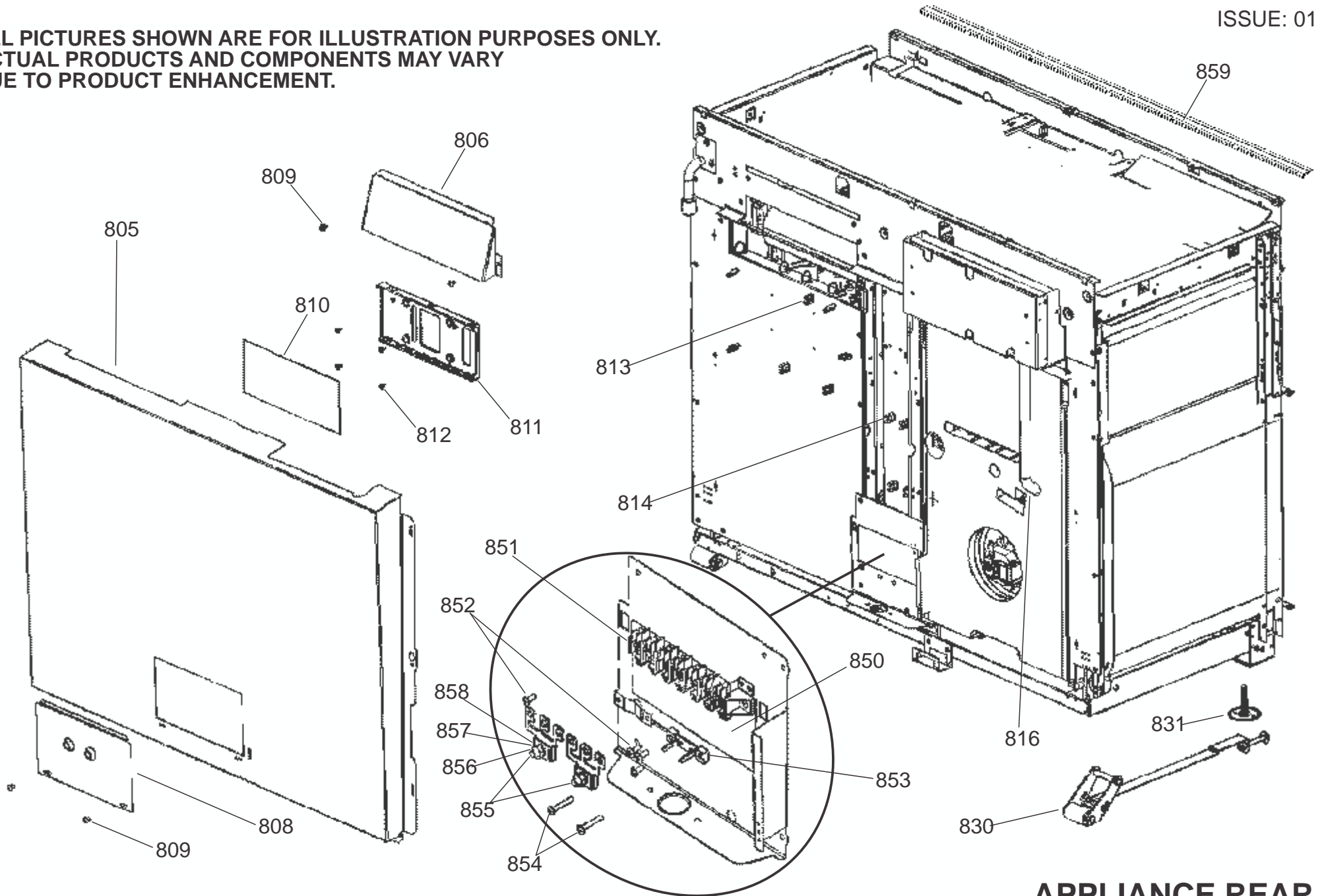
NEXUS STEAM 110 INDUCTION

DATE: 09.10.2020

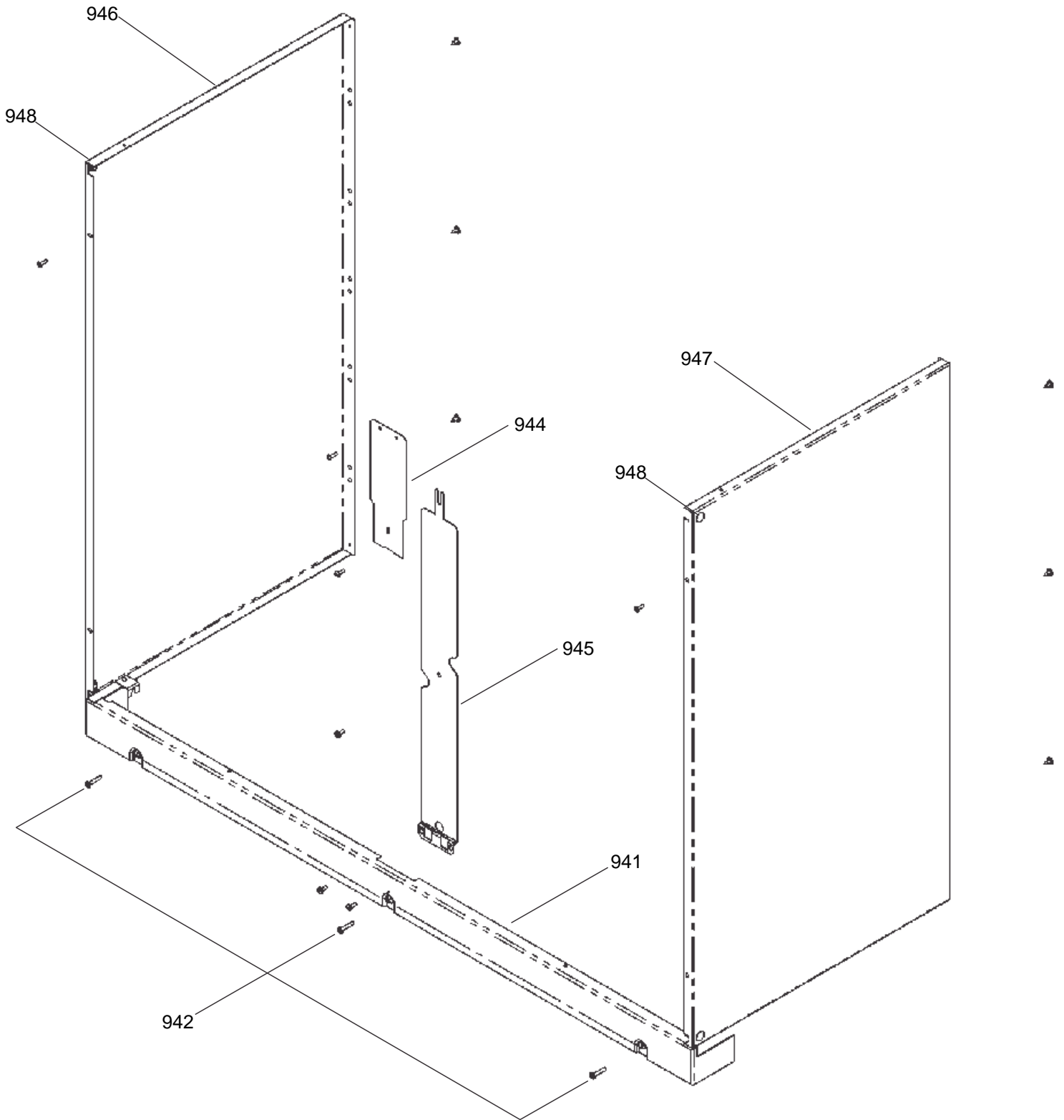
DSL0808 P08

ISSUE: 01

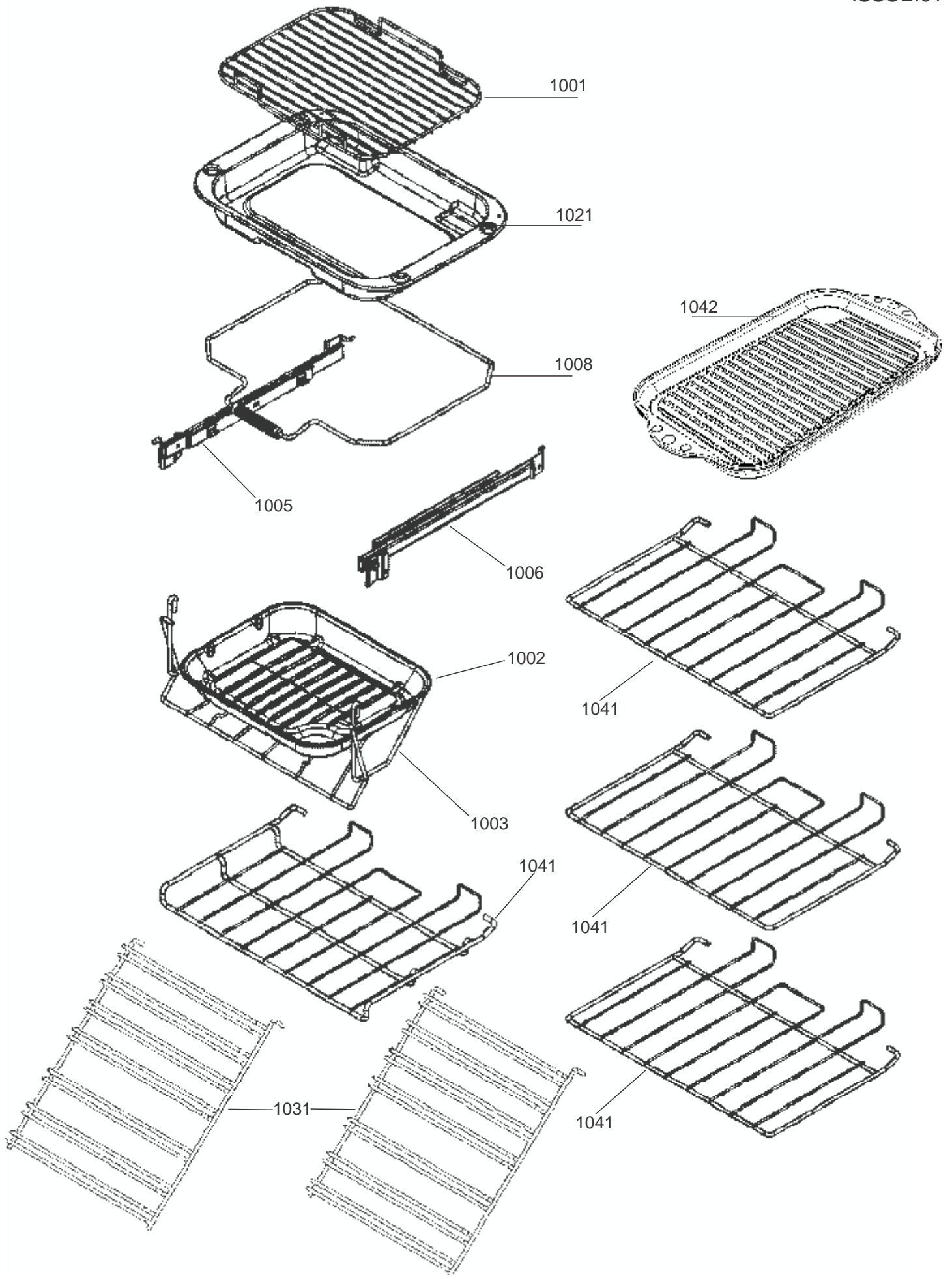
ALL PICTURES SHOWN ARE FOR ILLUSTRATION PURPOSES ONLY.
ACTUAL PRODUCTS AND COMPONENTS MAY VARY
DUE TO PRODUCT ENHANCEMENT.

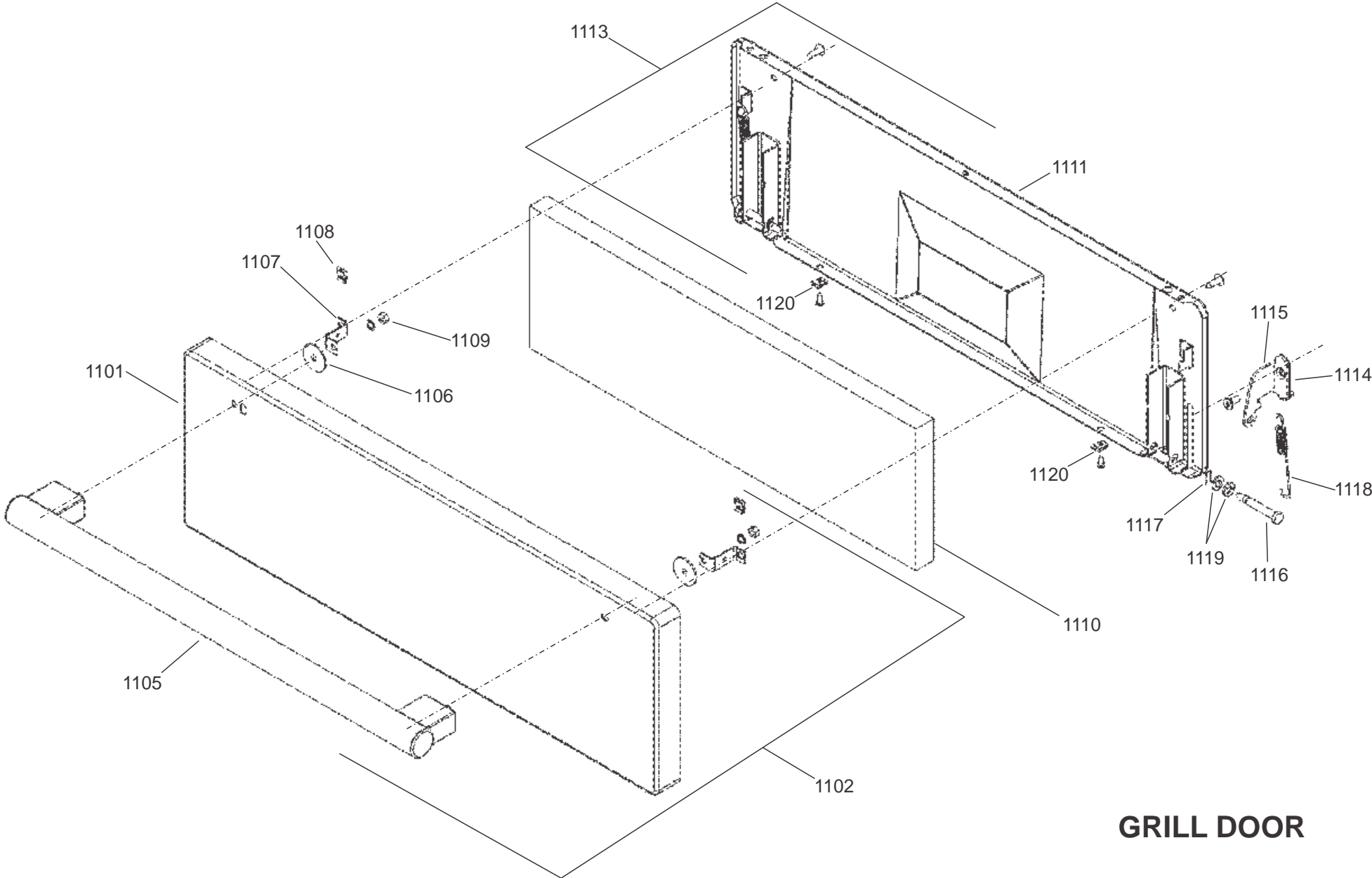


APPLIANCE REAR

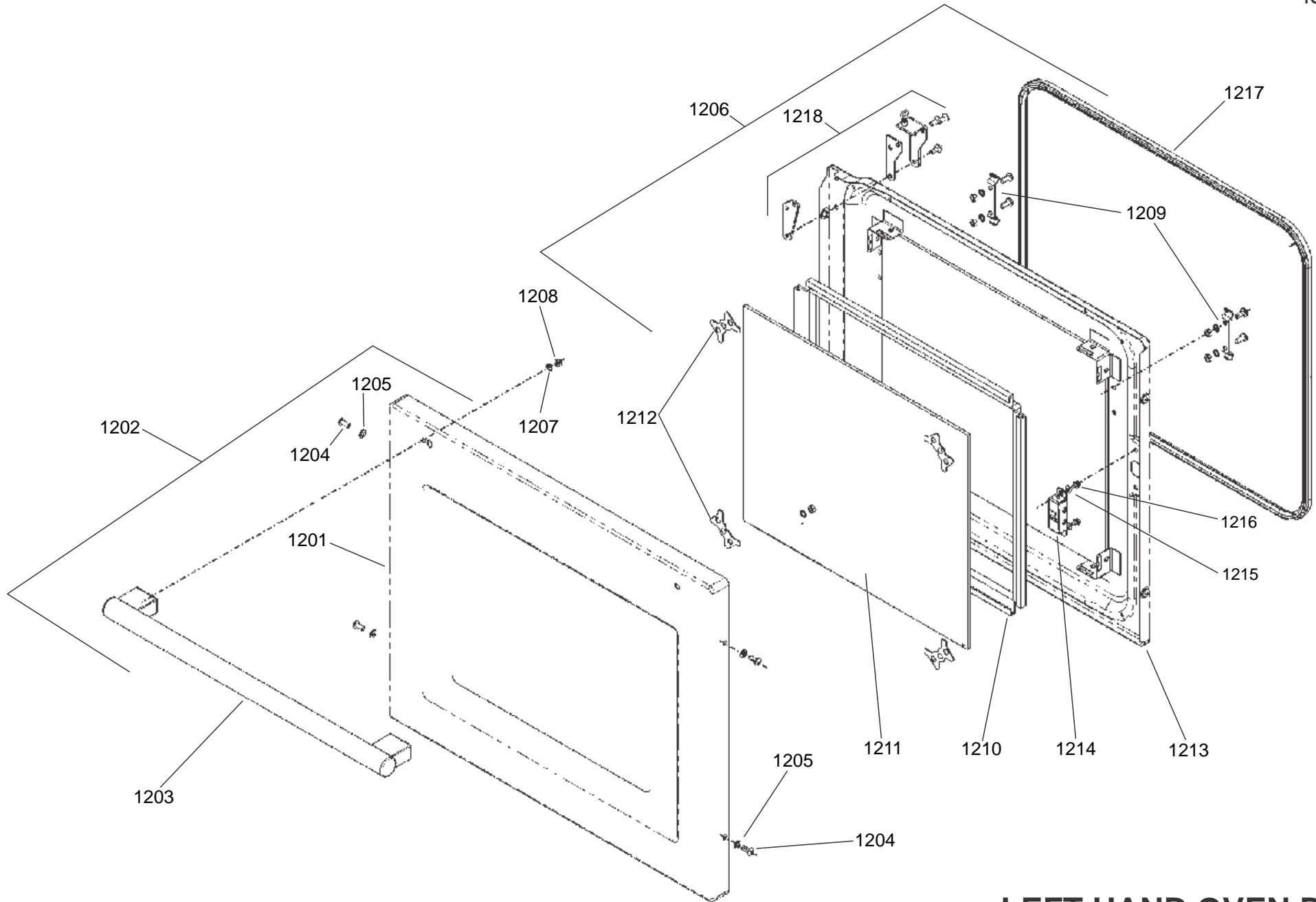


CHASSIS ACCESSORIES

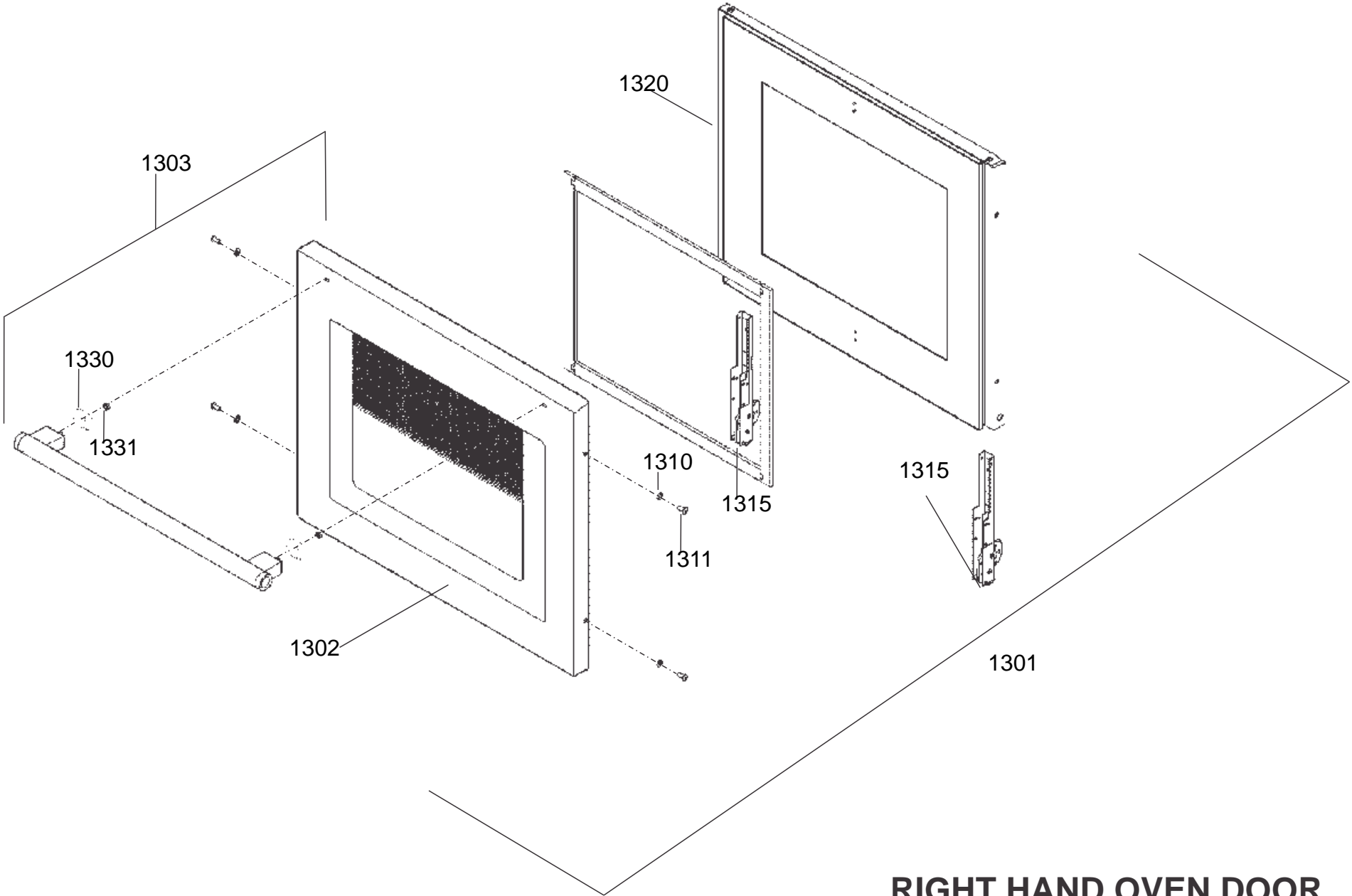




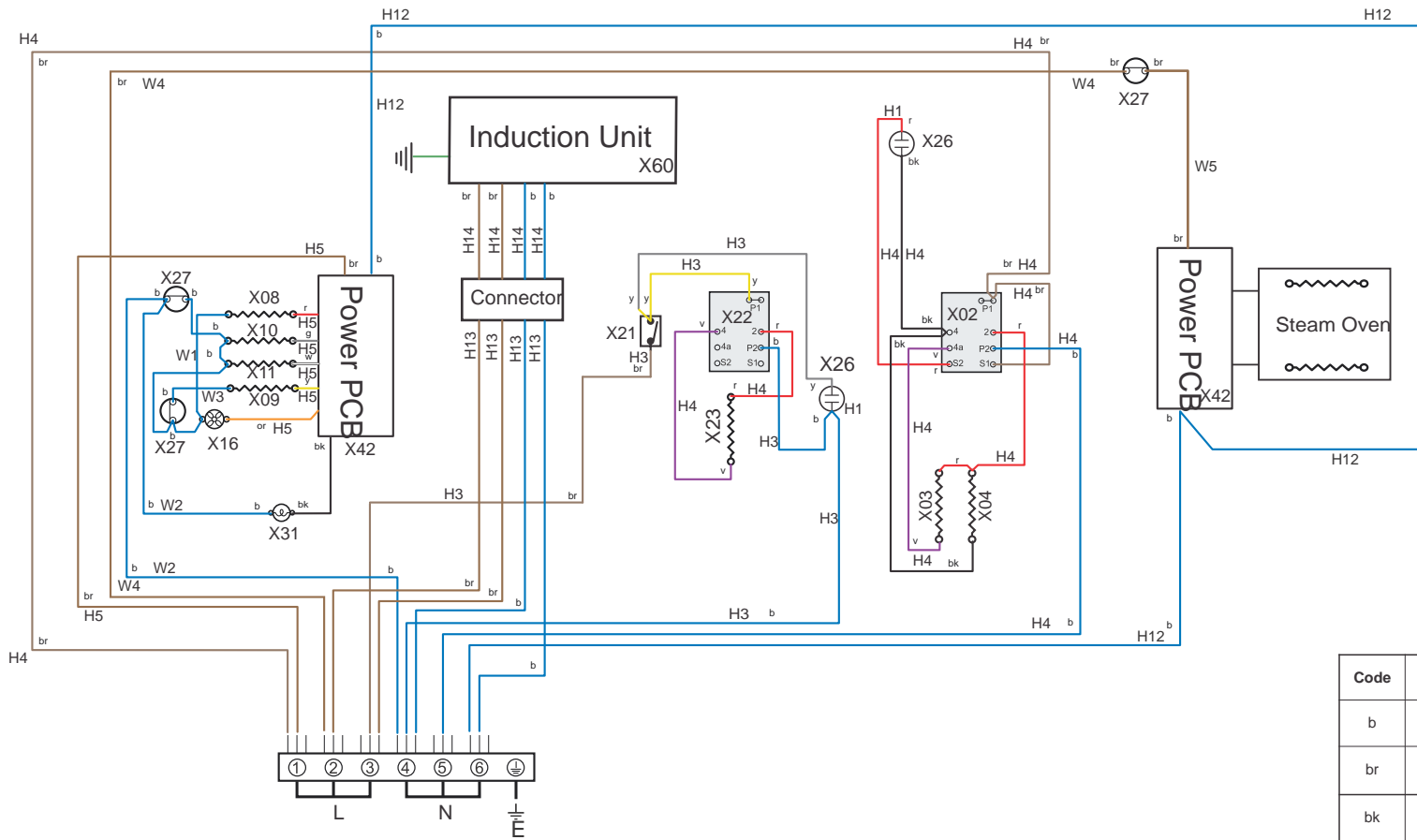
GRILL DOOR



LEFT HAND OVEN DOOR

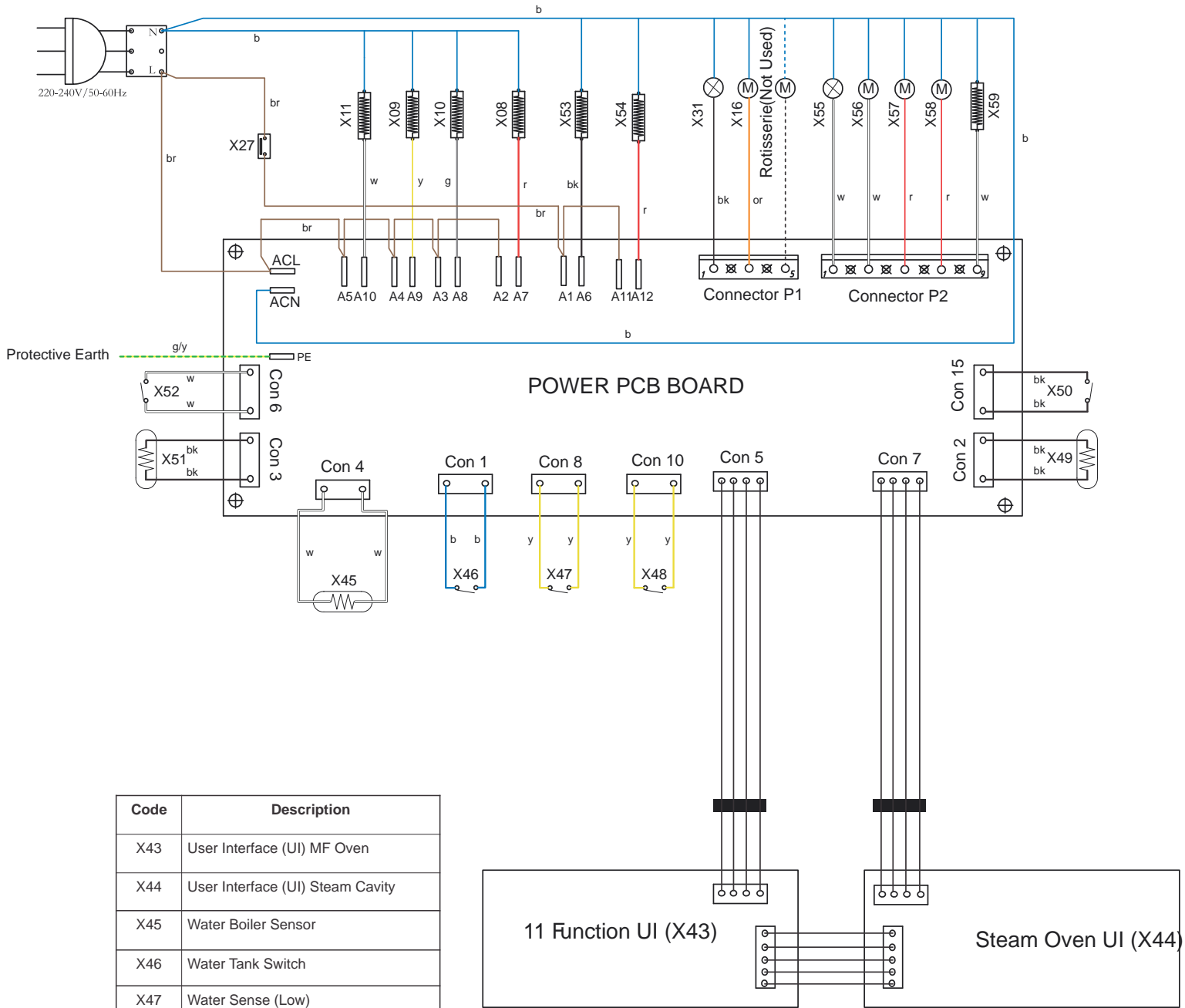


RIGHT HAND OVEN DOOR



Code	Description
X02	Grill Energy Regulator
X03	Left Hand Grill Element
X04	Right Hand Grill Element
X08	Left Hand Oven Base Element
X09	Left Hand Oven Fan Element
X10	Left Hand Oven Top Outer Element
X11	Left Hand Oven Top Inner Element
X16	Oven Fan
X21	Proving Drawer Switch
X22	Proving Drawer Energy Regulator
X23	Proving Drawer Element
X26	Neon
X27	Thermal Cut-Out
X31	Oven Light
X42	Power PCB (Steam and MF Oven)
X60	Induction Unit

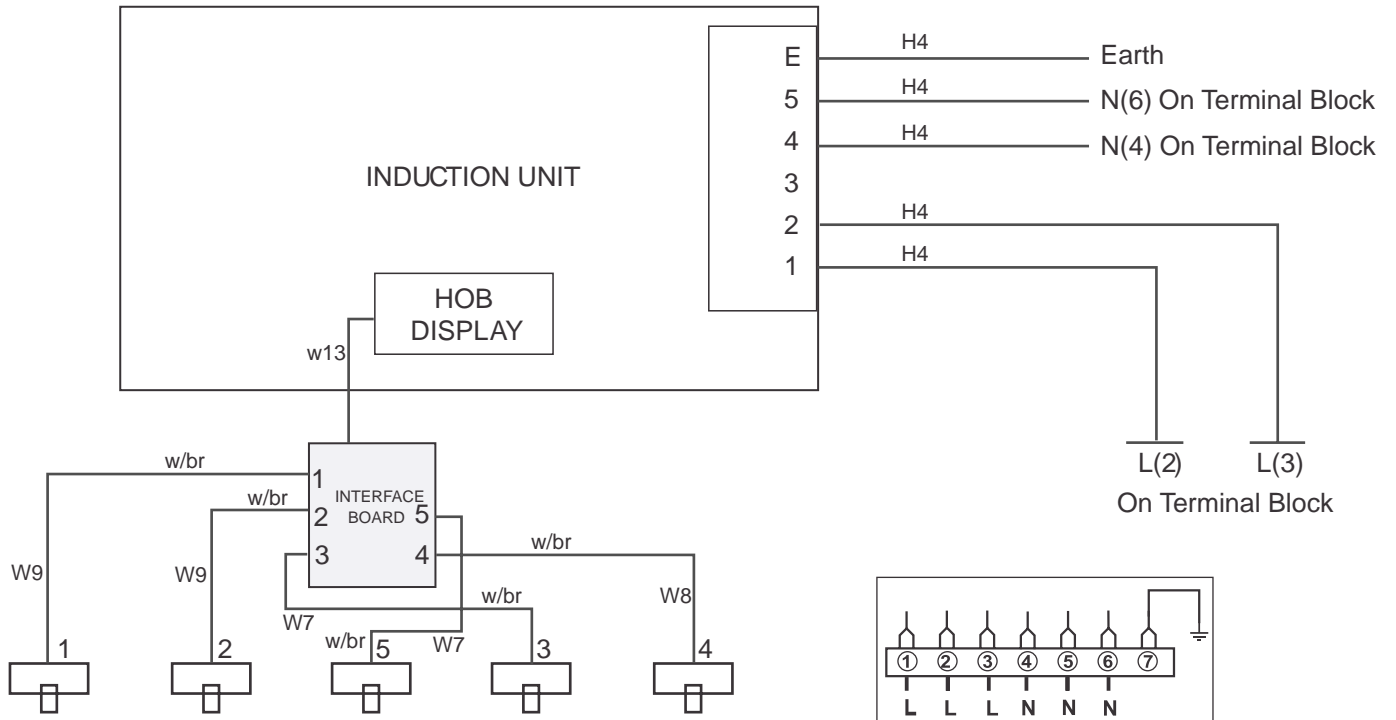
Code	Description
b	Blue
br	Brown
bk	Black
or	Orange
r	Red
v	Violet
w	White
y	Yellow
g/y	Green / Yellow



Code	Description
X43	User Interface (UI) MF Oven
X44	User Interface (UI) Steam Cavity
X45	Water Boiler Sensor
X46	Water Tank Switch
X47	Water Sense (Low)
X48	Water Sense (High)
X49	MF Oven Temperature Sensor
X50	MF Oven Door Sensor
X51	Steam Cavity Temperature Sensor
X52	Steam Cavity Door Sensor
X53	Water Boiler Element
X54	Steam Cavity Top Element
X55	Steam Cavity Light
X56	Water Pump In
X57	Water Pump Out
X58	Steam Cavity Cooling Fan
X59	Steam Cavity Base Element

Code	Description
b	Blue
br	Brown
bk	Black
or	Orange
r	Red
v	Violet
w	White
y	Yellow
g/y	Green / Yellow

Hob Unit



The connections shown in the circuit diagram are for single - phase. The ratings are for 230V 50Hz.

KEY

Code	Description
1	Left-hand front element
2	Left-hand rear element
3	Right-hand rear element
4	Right-hand front element
5	Centre element

Code	Colour
w/br	White/brown

WIRING DIAGRAM