

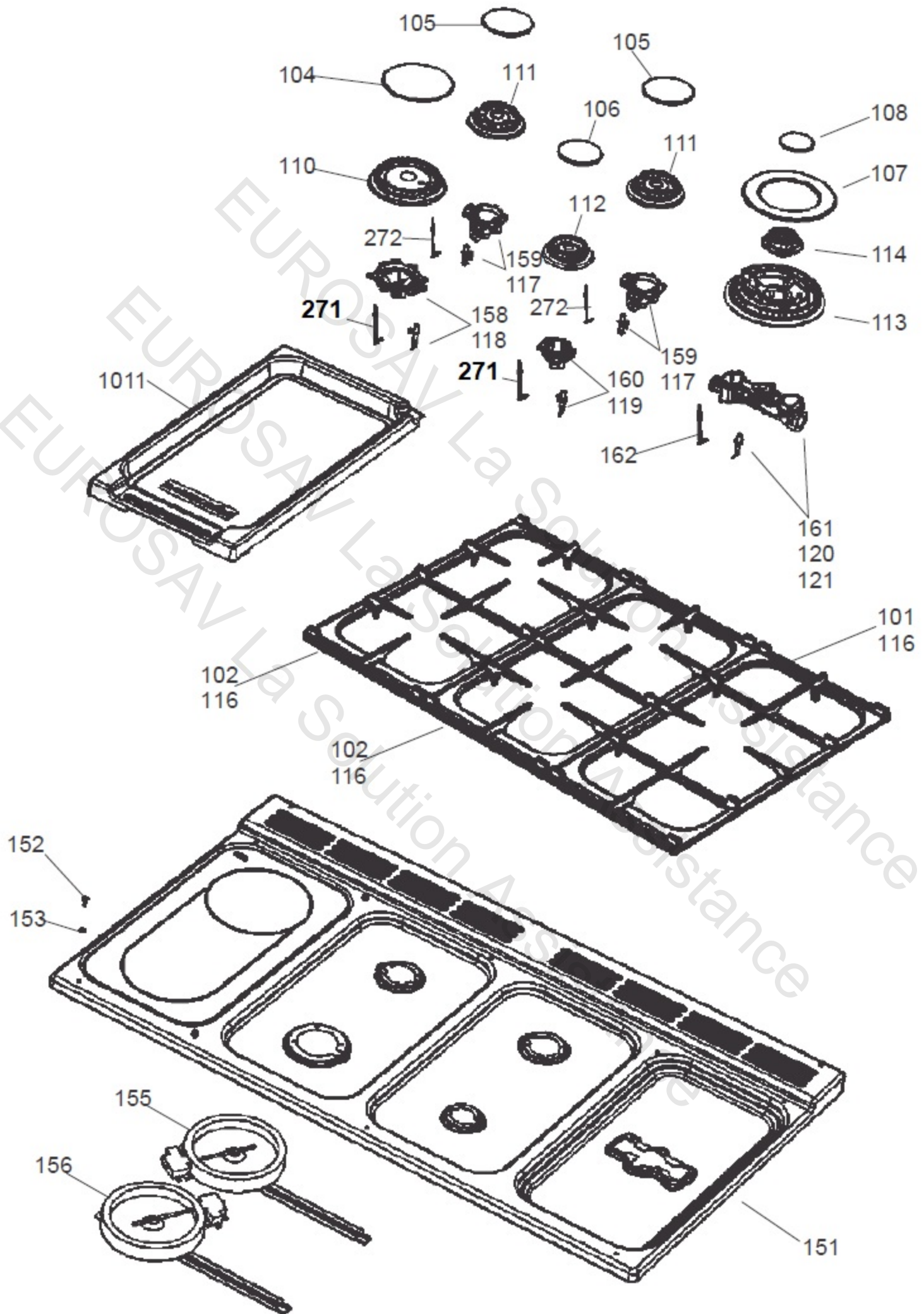
**RANGEMASTER / FALCON
NEXUS 110 DUAL FUEL STEAM**

DATE: 19.06.2019

DSL0807 P00

ISSUE: 01





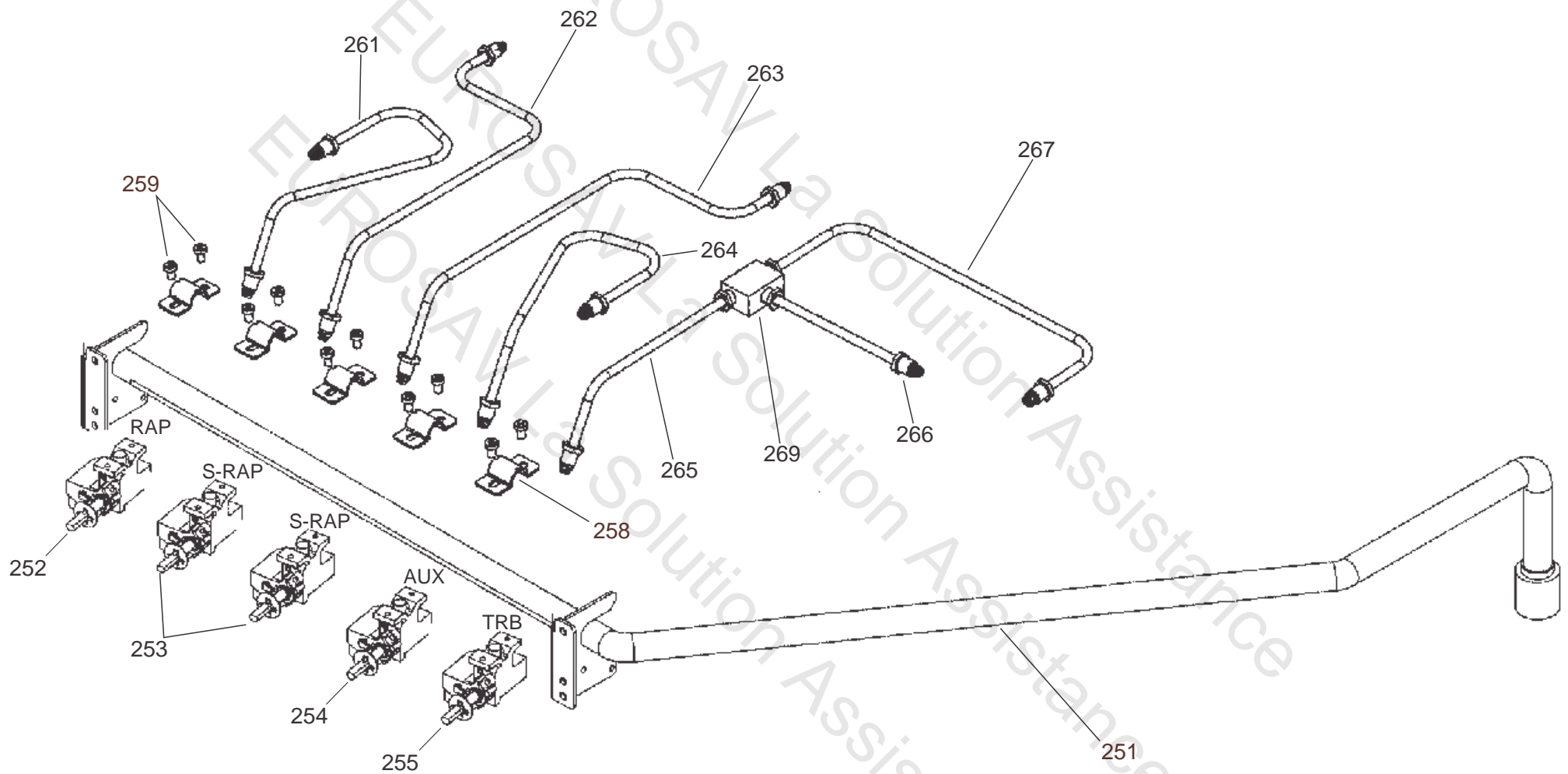
PAN SUPPORTS AND BURNER CAPS

RANGEMASTER / FALCON NEXUS 110 DUAL FUEL STEAM

DATE: 19.06.2019

DSL0807 P02

ISSUE: 01

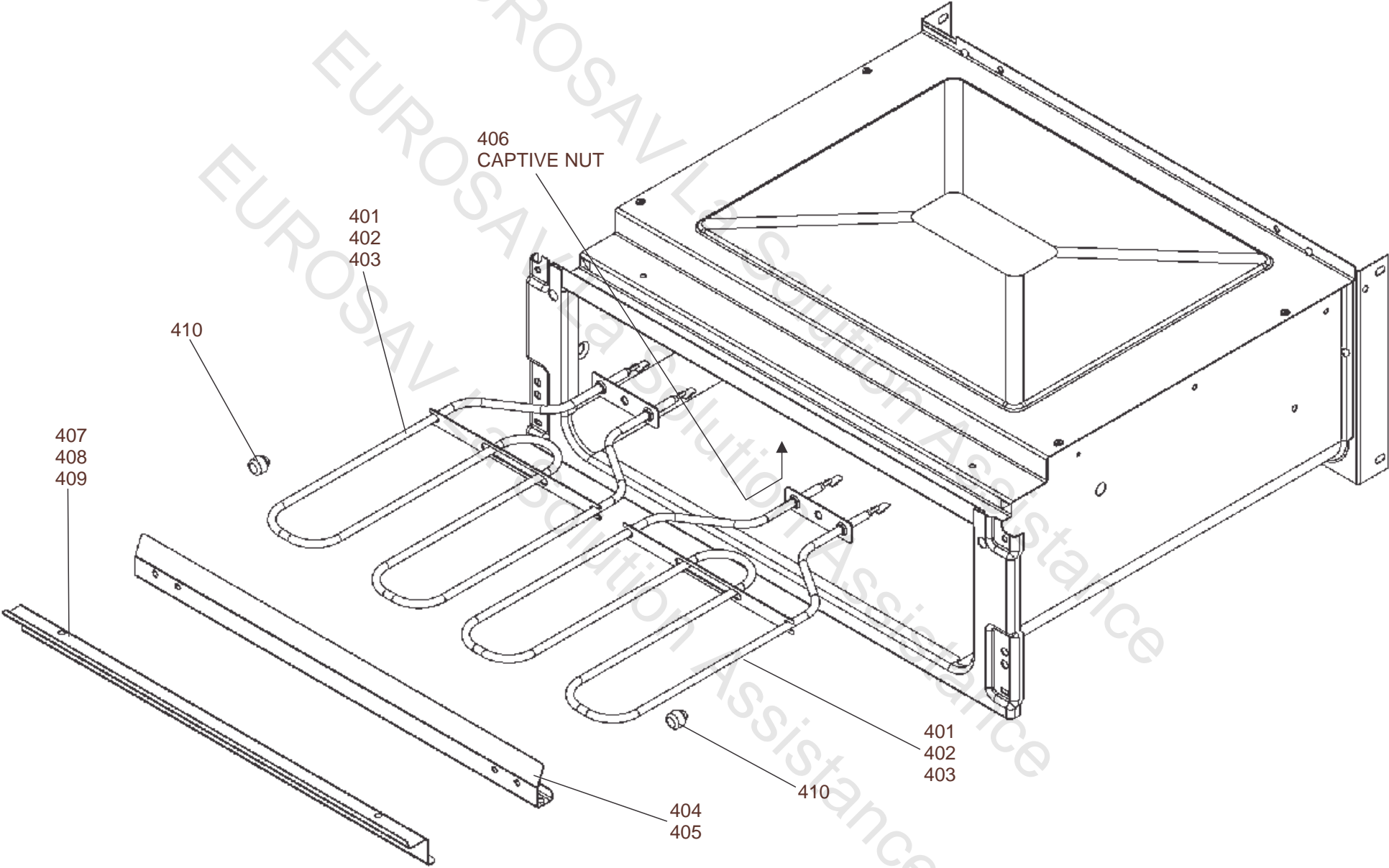


GAS RAIL TAPS INJECTORS AND PIPES

**RANGEMASTER / FALCON
NEXUS 110 DUAL FUEL STEAM**

DATE: 19.06.2019

DSL0807 P04
ISSUE: 01



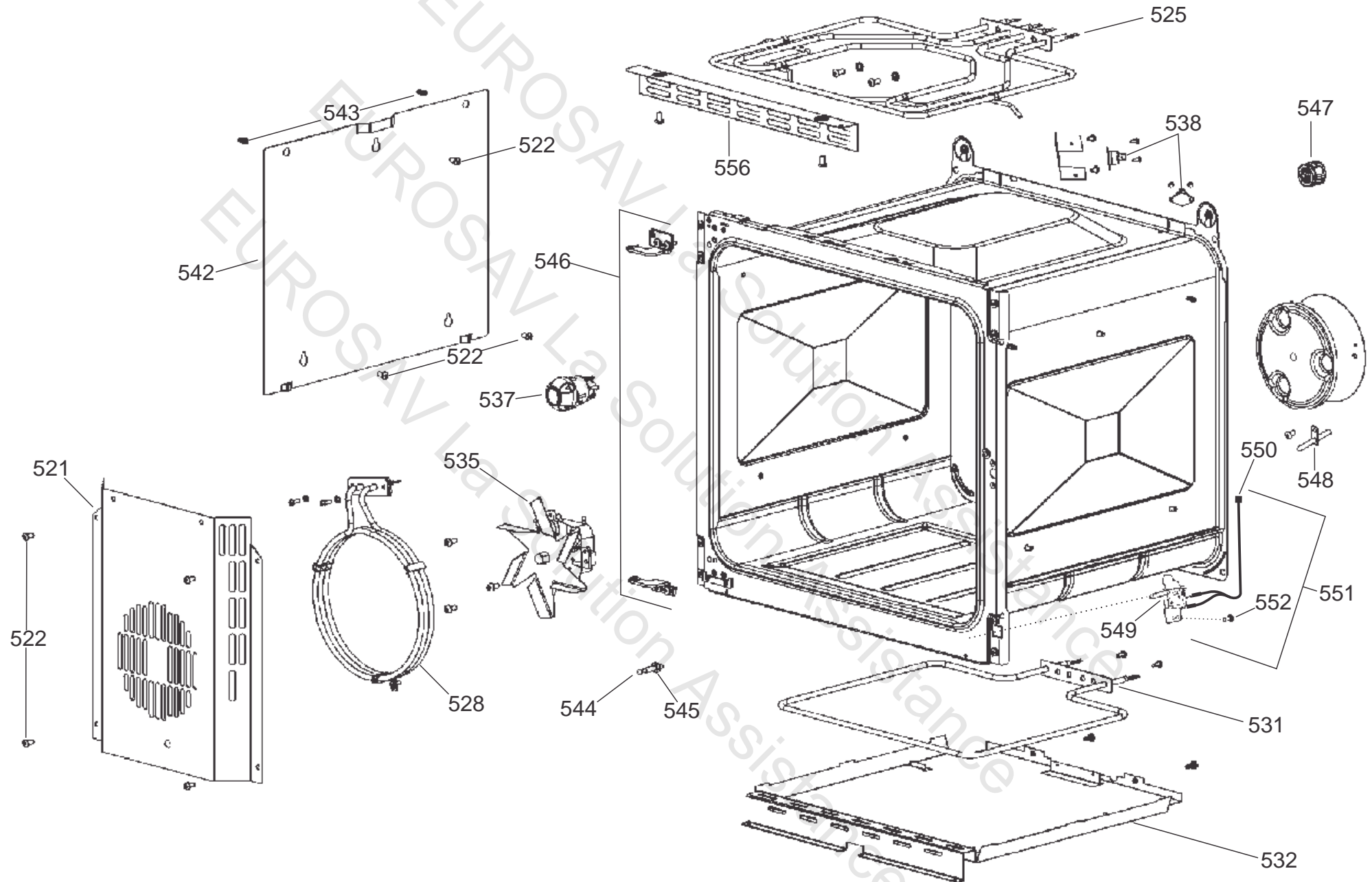
GRILL CHAMBER

**RANGEMASTER / FALCON
NEXUS 110 DUAL FUEL STEAM**

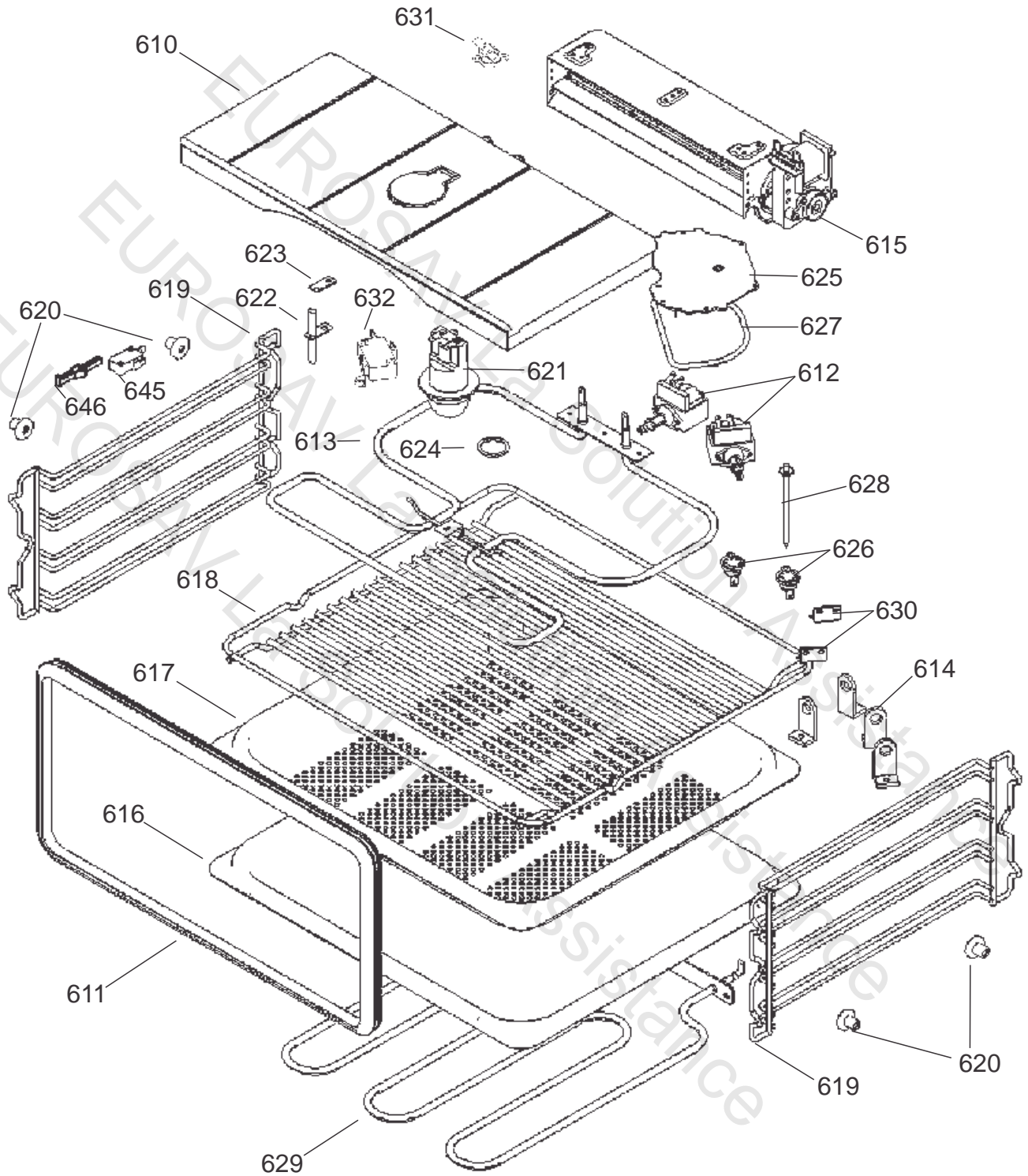
DATE: 24.07.2019

DSL0807 P05

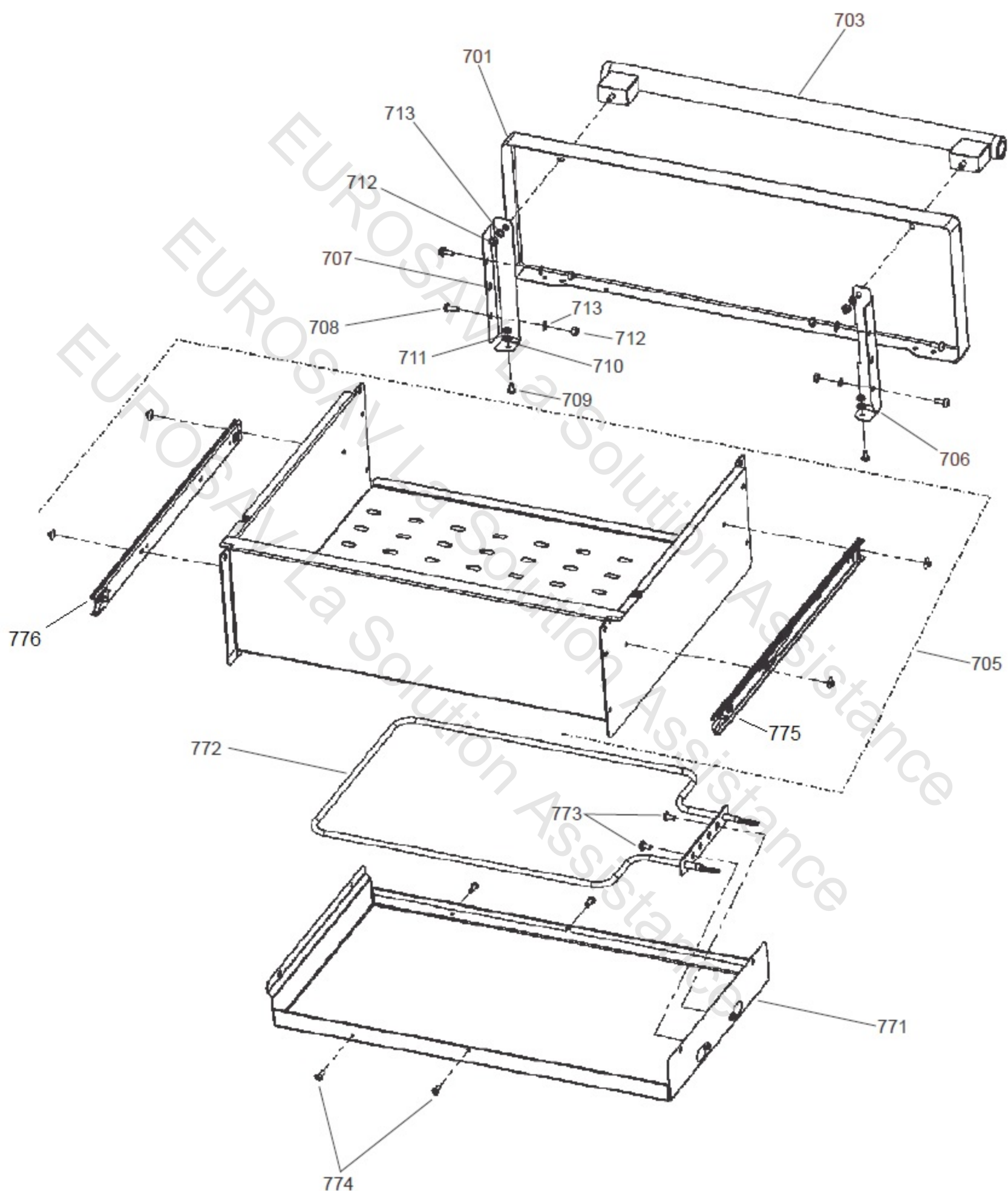
ISSUE: 02



LH OVEN (MULTI-FUNCTION AND LIGHT AND NTC SENSOR)



RH OVEN (STEAM)



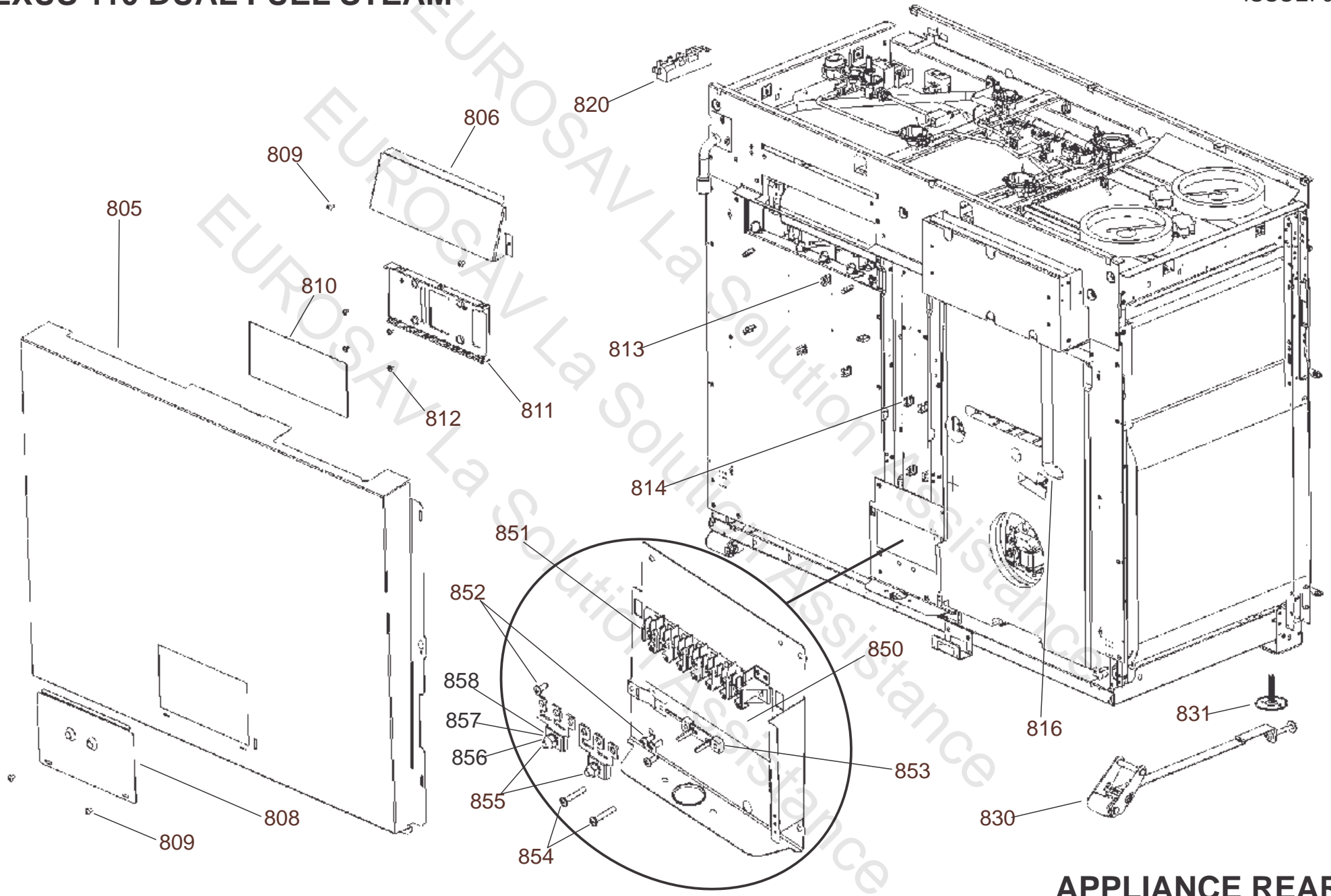
BREAD PROVING DRAWER

RANGEMASTER / FALCON NEXUS 110 DUAL FUEL STEAM

DATE: 19.06.2019

DSL0807 P08

ISSUE: 01



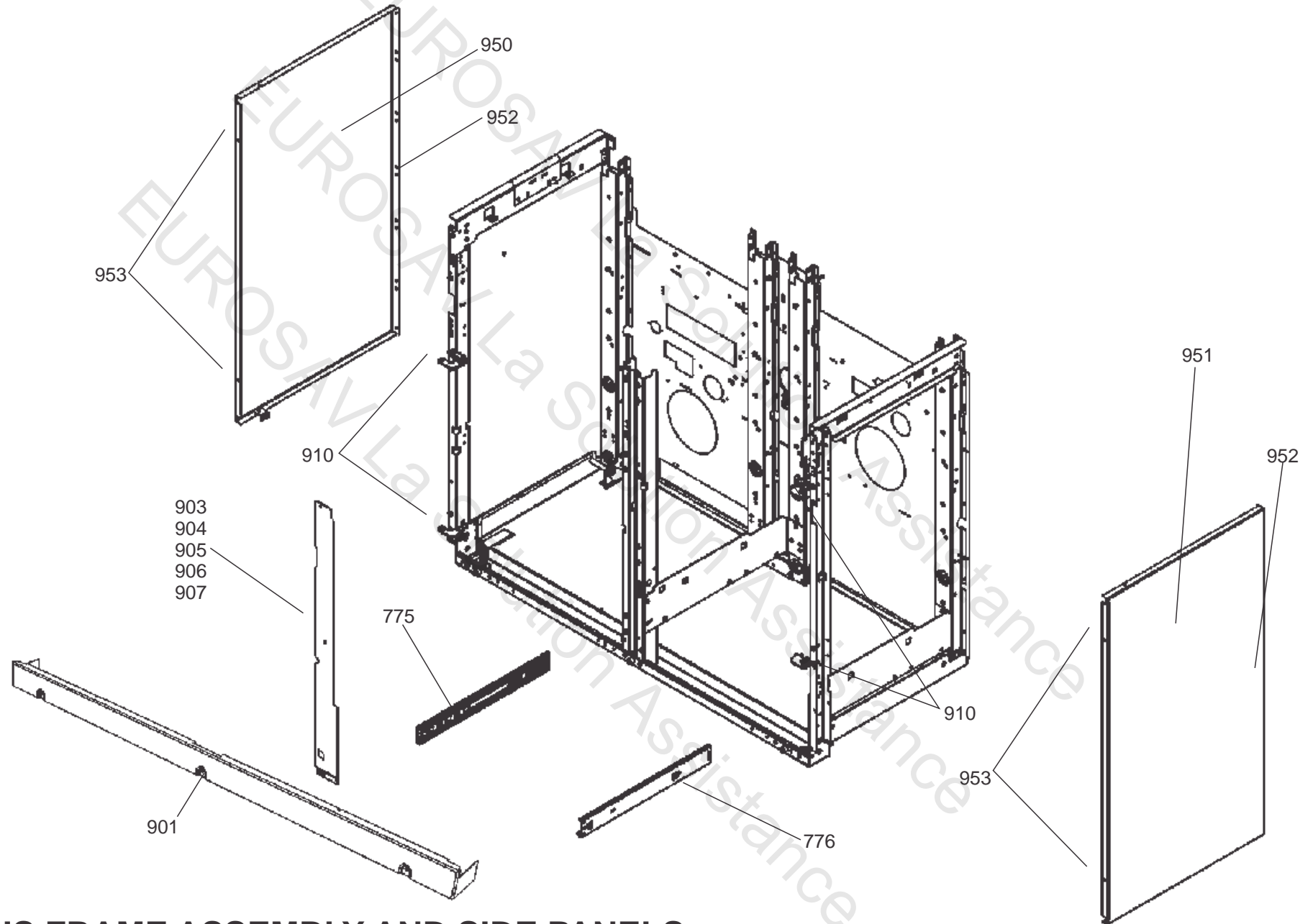
APPLIANCE REAR

**RANGEMASTER / FALCON
NEXUS 110 DUAL FUEL STEAM**

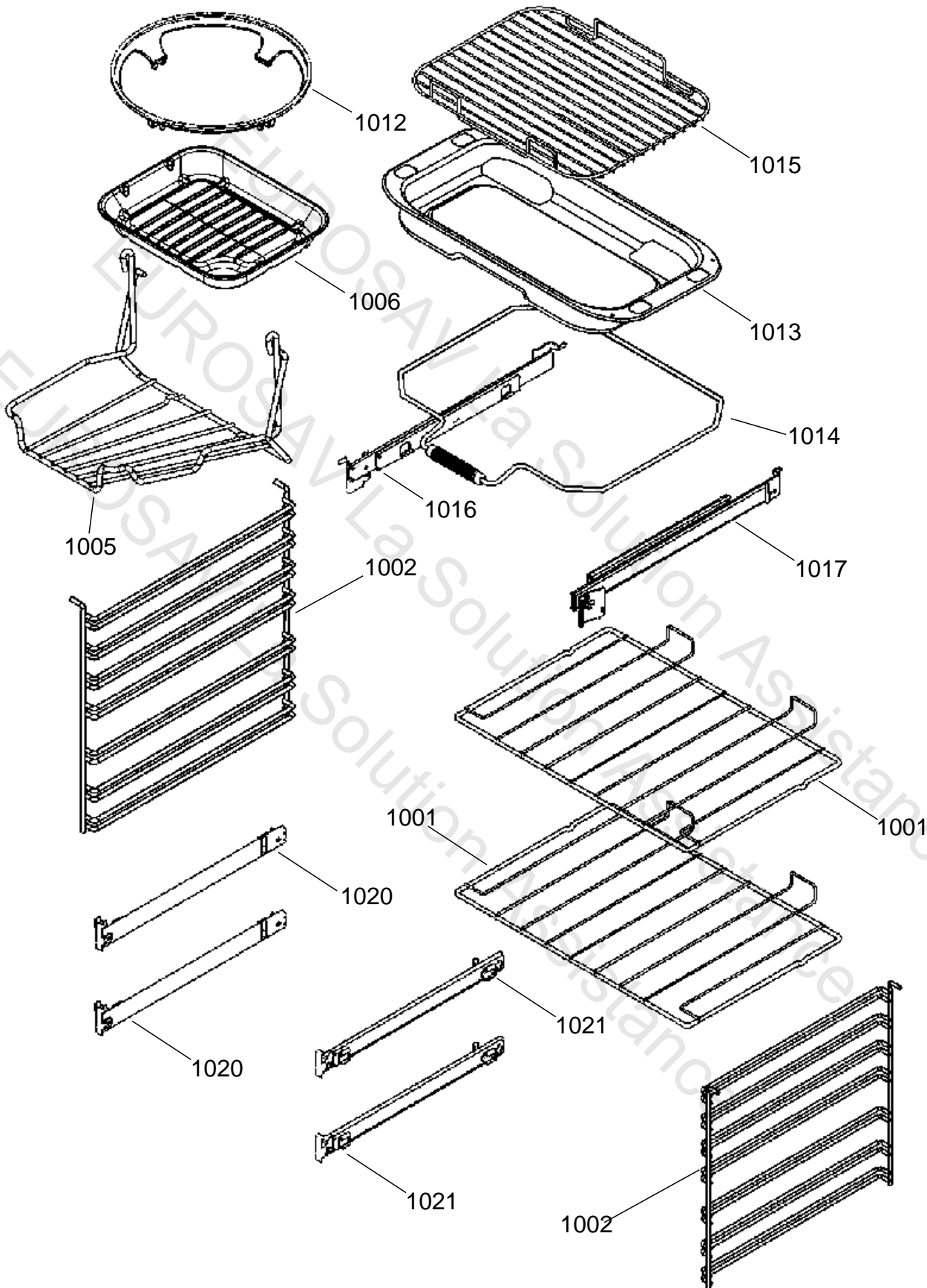
DATE: 19.06.2019

DSL0807 P09

ISSUE: 01



CHASSIS FRAME ASSEMBLY AND SIDE PANELS



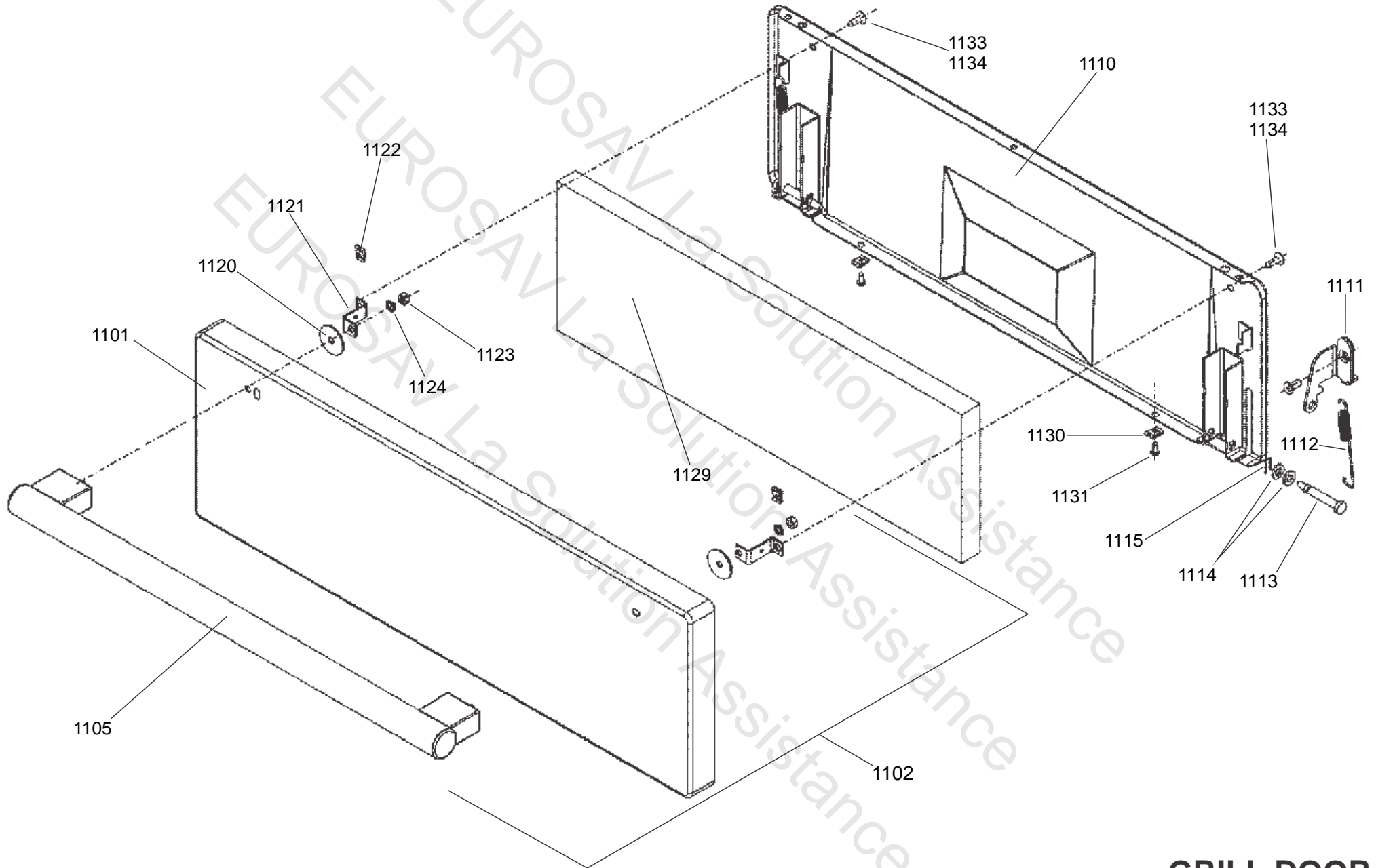
ACCESSORIES

**RANGEMASTER / FALCON
NEXUS 110 DUAL FUEL STEAM**

DATE: 19.06.2019

DSL0807 P11

ISSUE: 01



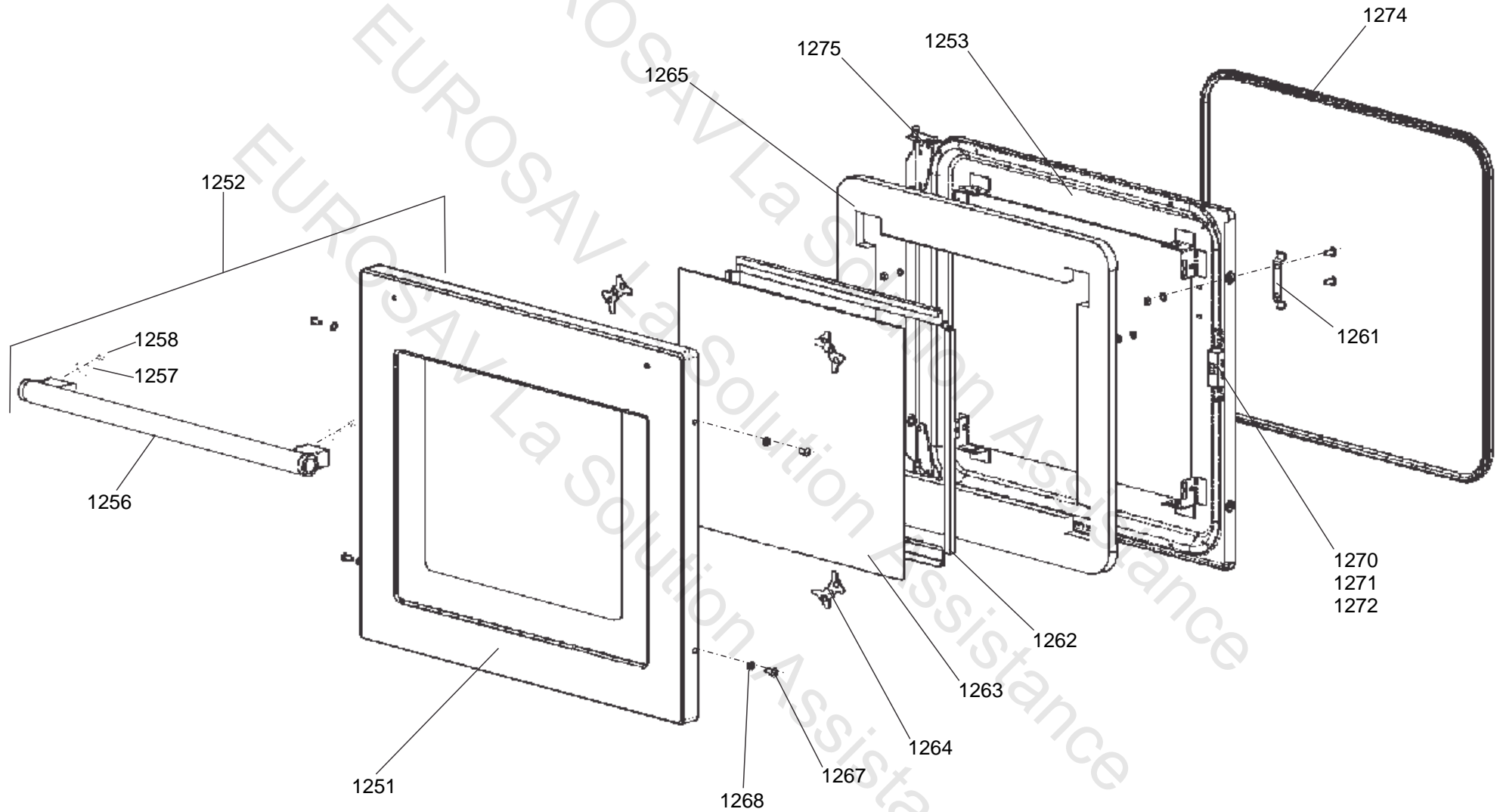
GRILL DOOR

**RANGEMASTER / FALCON
NEXUS 110 DUAL FUEL STEAM**

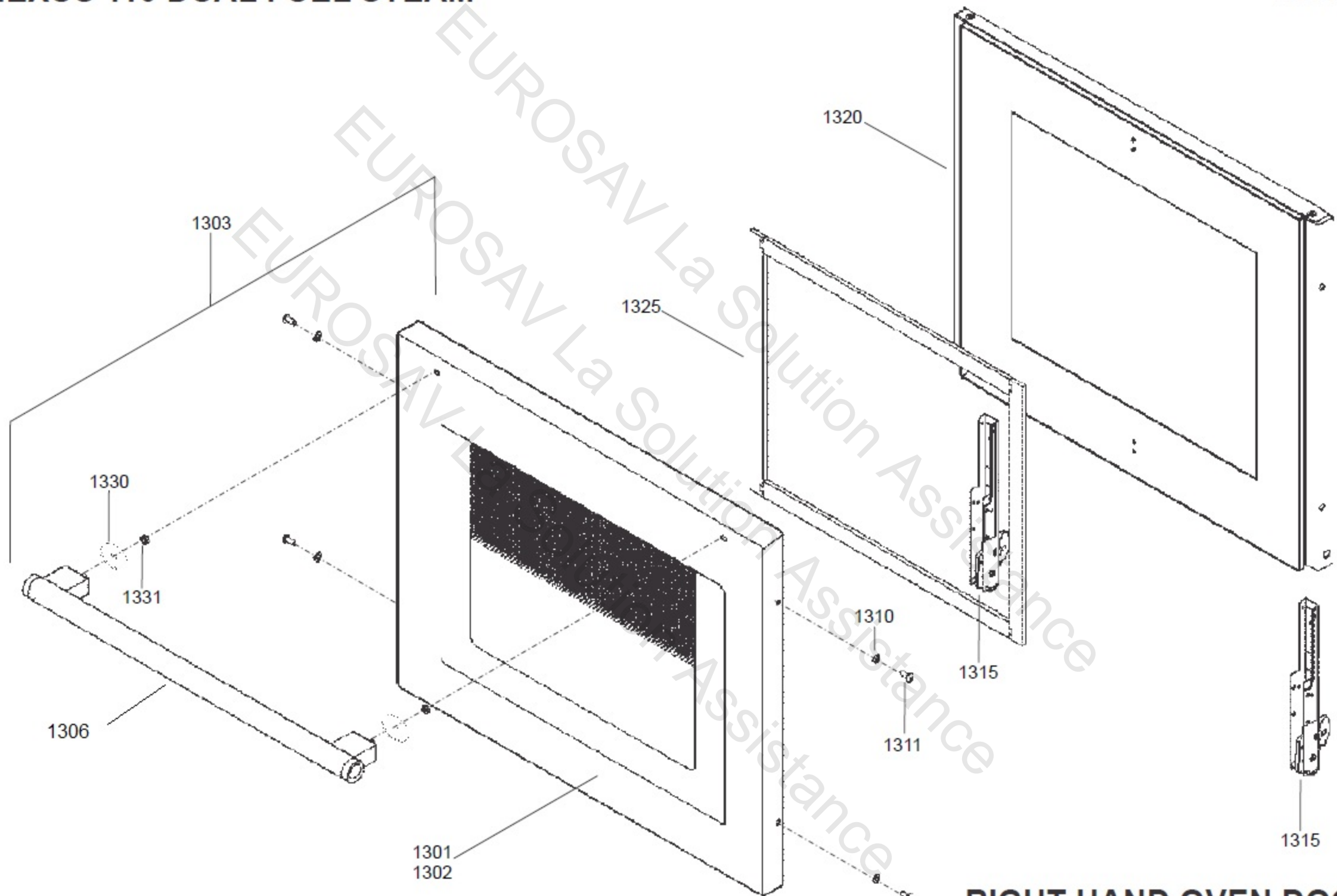
DATE: 19.06.2019

DSL0807 P12

ISSUE: 01



LEFT HAND OVEN DOOR



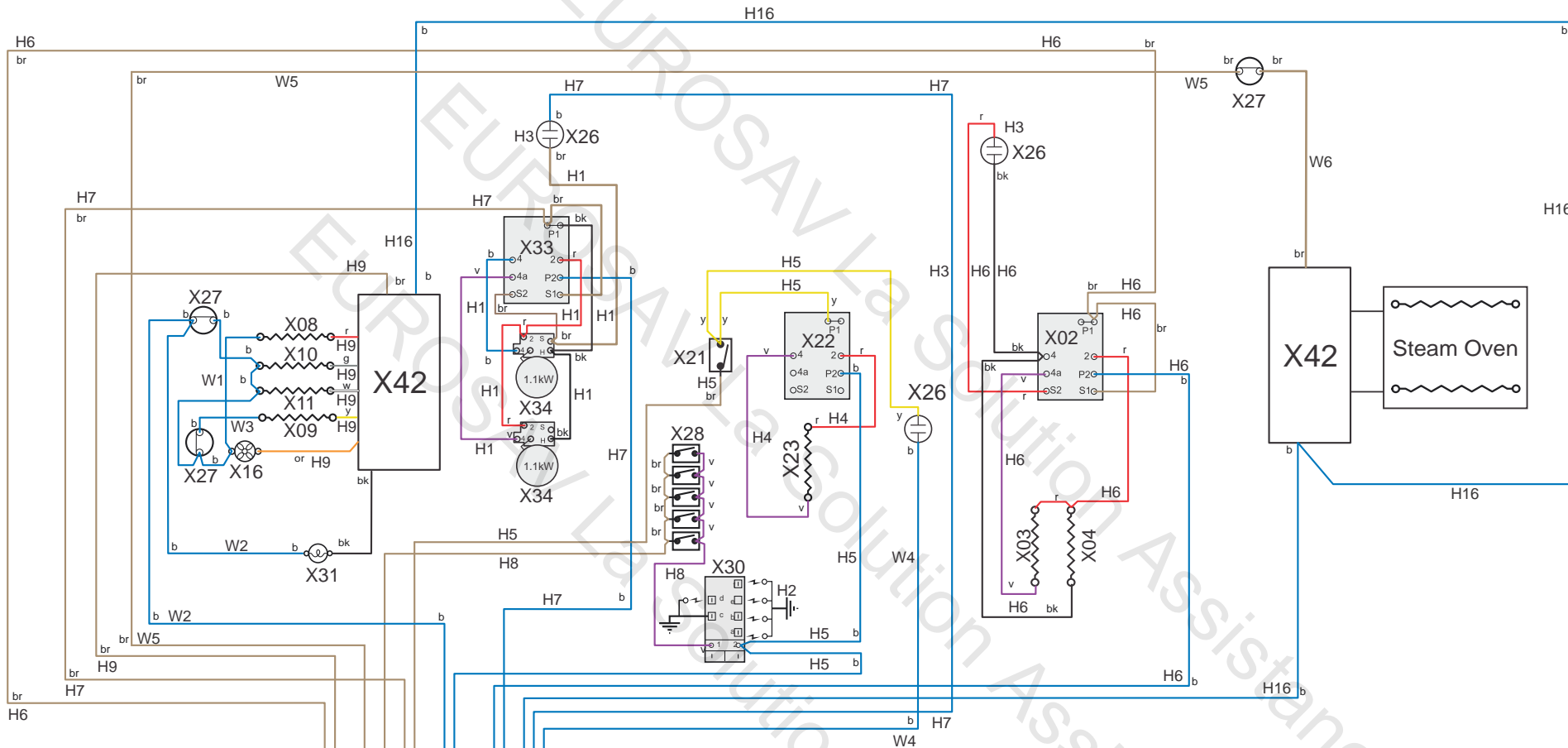
RIGHT HAND OVEN DOOR

RANGEMASTER / FALCON NEXUS 110 DUAL FUEL STEAM

DATE: 19.06.2019

DSL0807 P14

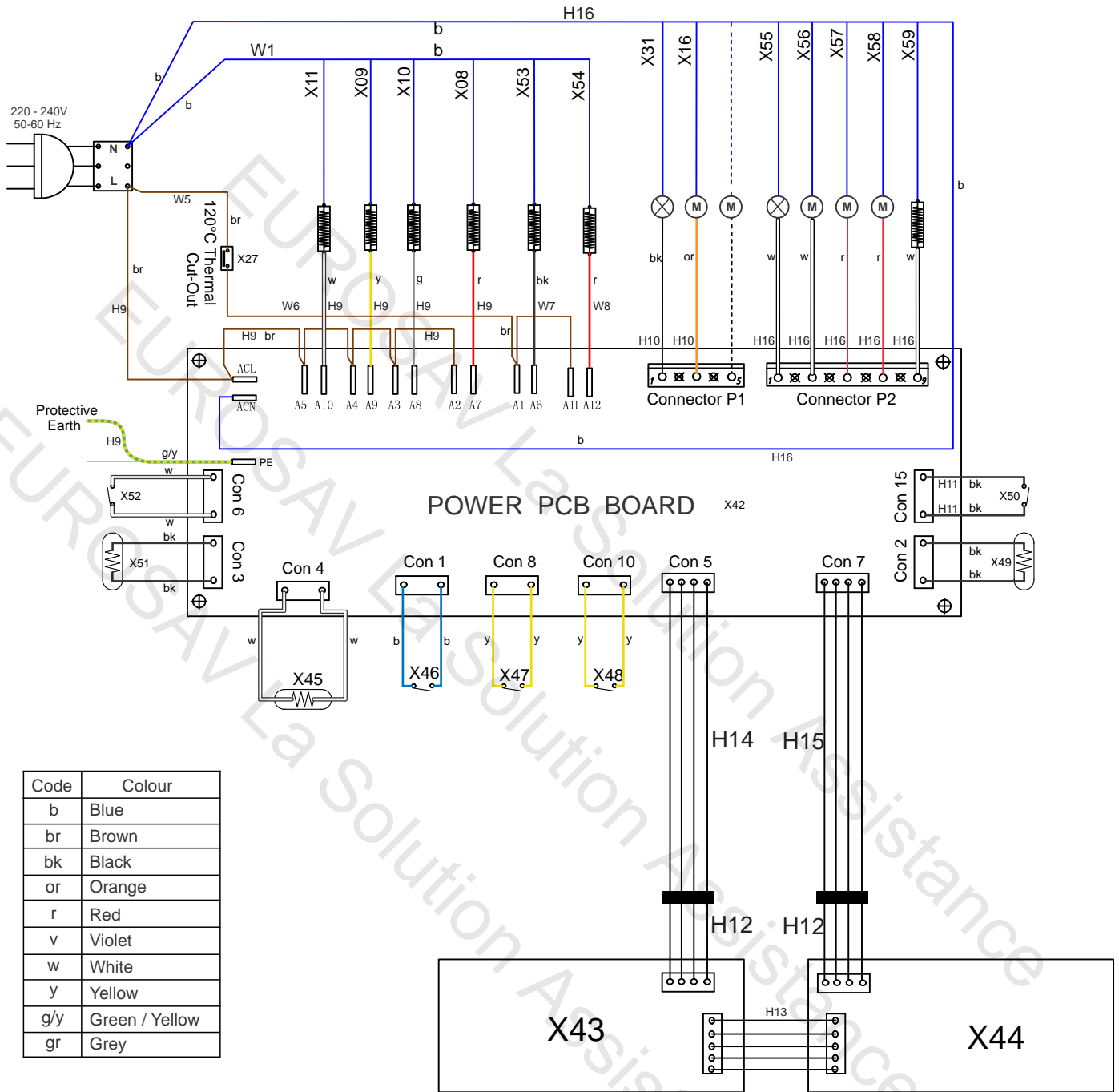
ISSUE: 01



Code	Colour
b	Blue
br	Brown
bk	Black
or	Orange
r	Red
v	Violet
w	White
y	Yellow
g/y	Green / Yellow
gr	Grey

WIRING DIAGRAM

Code	Description	Code	Description	Code	Description
X02	Grill Energy Regulator	X27	Thermal Cut-Out	X48	Water Sense (High)
X03	Left Hand Grill Element	X28	Ignition Switches	X49	MF Oven Temperature Sensor
X04	Right Hand Grill Element	X30	Spark Generator	X50	MF Oven Door Sensor
X08	Left Hand Oven Base Element	X31	Multi-Function Oven Light	X51	Steam Oven Temperature Sensor
X09	Left Hand Oven Fan Element	X33	Ceramic Zone Energy Reg	X52	Steam Oven Door Sensor
X10	Left Hand Oven Top Outer Element	X34	Ceramic Zone x 2	X53	Water Boiler Element
X11	Left Hand Oven Top Inner Element	X42	Power PCB (Steam & MF Oven)	X54	Steam Oven Top Element
X16	Oven Fan	X43	User Interface (UI) MF Oven	X55	Steam Oven Light
X21	Proving Drawer Switch	X44	User Interface (UI) Steam Oven	X56	Water Pump In
X22	Proving Drawer Energy Regulator	X45	Water Boiler Sensor	X57	Water Pump Out
X23	Proving Drawer Element	X46	Water Tank Switch	X58	Steam Oven Cooling Fan
X26	Neon	X47	Water Sense (Low)	X59	Steam Oven Base Element



Code	Description	Code	Description
X08	Left Hand Oven Base Element	X48	Water Sense (High)
X09	Left Hand Oven Fan Element	X49	MF Oven Temperature Sensor
X10	Left Hand Oven Top Outer Element	X50	MF Oven Door Sensor
X11	Left Hand Oven Top Inner Element	X51	Steam Oven Temperature Sensor
X27	Thermal Cut-Out	X52	Steam Oven Door Sensor
X31	Multi-Function Oven Light	X53	Water Boiler Element
X42	Power PCB (Steam & MF Oven)	X54	Steam Oven Top Element
X43	User Interface (UI) MF Oven	X55	Steam Oven Light
X44	User Interface (UI) Steam Oven	X56	Water Pump In
X45	Water Boiler Sensor	X57	Water Pump Out
X46	Water Tank Switch	X58	Steam Oven Cooling Fan
X47	Water Sense (Low)	X59	Steam Oven Base Element

POWER PCB WIRING DIAGRAM